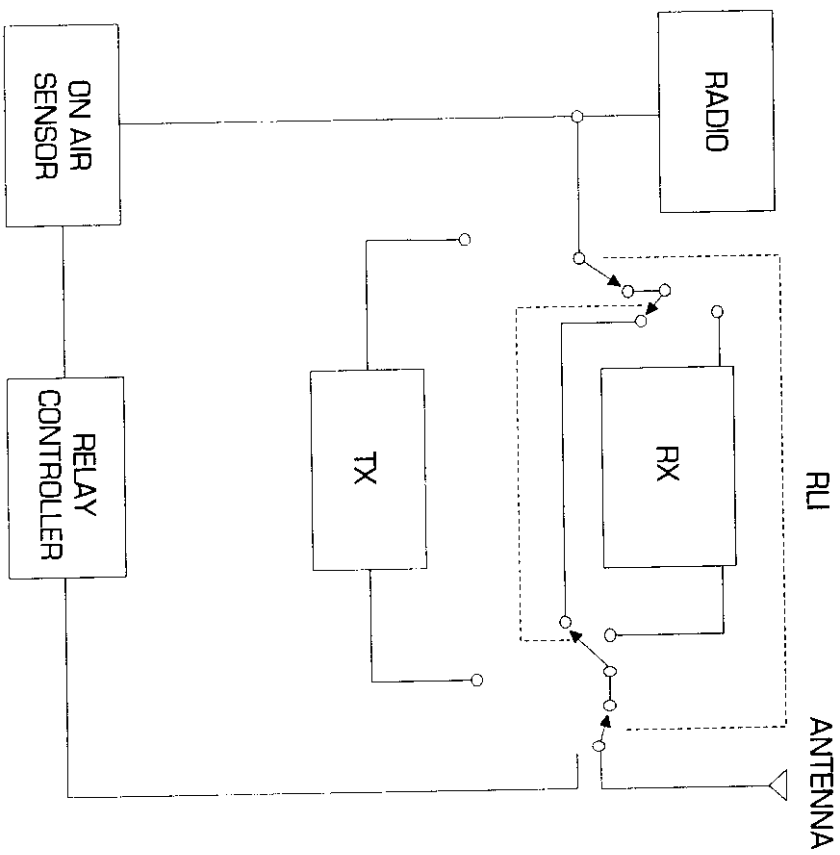
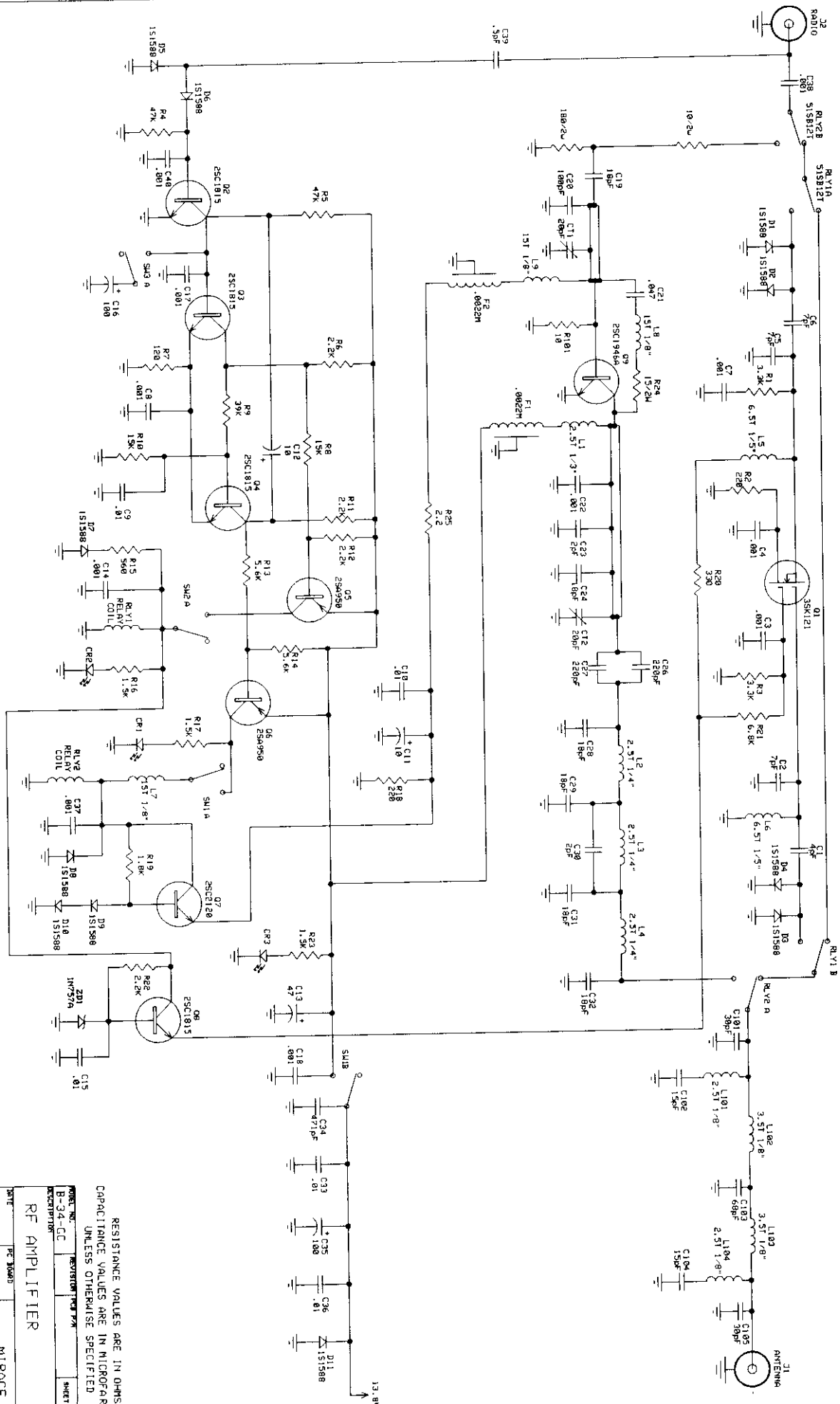




SCHEMATIC

B-34-GC BOOSTER AMP. BLOCK CIRCUIT





RESISTANCE VALUES ARE IN OHMS
CAPACITANCE VALUES ARE IN MICROFARADS
UNLESS OTHERWISE SPECIFIED

RF AMPLIFIER

PROJECT NO.	REVISED	DATE	BY
B-34-CC		3/26/98	RF 34003
DESCRIPTION	REVISION	DATE	BY
FRATHER			

MIRAGE
921 HWY 25 SOUTH
STARKVILLE, MS
39759