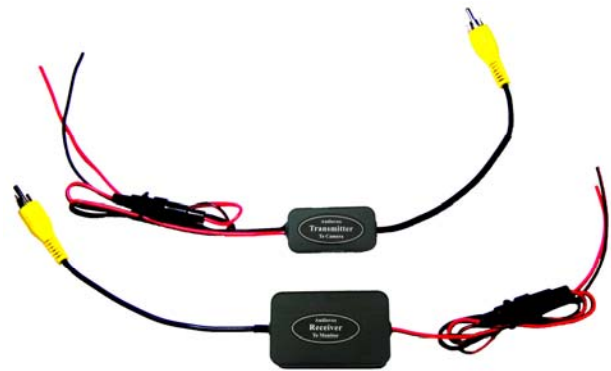




# Wireless Transmitter and Receiver

## Model:ACA300T ACA300R

### Installation Manual



#### Features:

- **Operating frequency: 2.4GHz.**
- **Converts Hard Wired Systems to Wireless**
- **Developed for Backup Camera Systems**
- **RCA Connector**

## Warnings

The product is intended to assist in safe driving and to allow the driver to have a broader rearview while the vehicle is in reverse. You, as the driver, are solely responsible for the safe operation of your vehicle and the safety of your passengers according to the country and their local traffic regulations. Do not use any features of this system to the extent it distracts you from safe driving. Your first priority while driving should always be the safe operation of your vehicle. Audiovox Electronics Corporation cannot accept any responsibility whatsoever for accidents resulting from failure to observe these precautions or safety instructions.

1. This product utilizes high voltage. Any unauthorized modifications or damage to the products may result in electrical shock. Handle all components with care. Inspect regularly for damage to components and cabling.
2. You shall be responsible to ensure that the installation of this product does not void or affect the vehicle manufacturer's warranty. Audiovox Electronics Corporation or its subsidiaries are not liable in full or in part for improper installation resulting in loss or damage to your property, or for voiding all or part of the vehicle manufacturer's warranty.
3. Do not apply excessive force to any of the components contained within this kit. Excessive force used before, during or after installation that results in a damaged or non-functional part shall void all warranties.
4. Please follow the procedure from this installation manual. Improper installation or modification of this product shall void all warranties.

## Table of Contents

|   |   |
|---|---|
| Warnings .....                          | 1 |
| Table of contents .....                 | 2 |
| Product description .....               | 2 |
| Packing list .....                      | 2 |
| Transmitter/Receiver installation ..... | 3 |
| Specifications .....                    | 4 |
| Troubleshooting .....                   | 5 |
| FCC Statement .....                     | 5 |

## Product Description

The wireless transmitter and receiver have been developed to convert a hard wire camera/monitor system to a wireless operation. The following information contained in the installation manual is for camera backup systems. Note: this product can be used on any Camera/Monitor system.

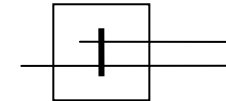
## Packing List

1. Transmitter w/RCA Connector-1 qty
2. Receiver w/RCA Connector-1 qty
3. Wire connectors:
  - a. Tap connectors-3 qty
  - b. Ring connectors-1 qty
4. Installation Manual
5. Warranty Card

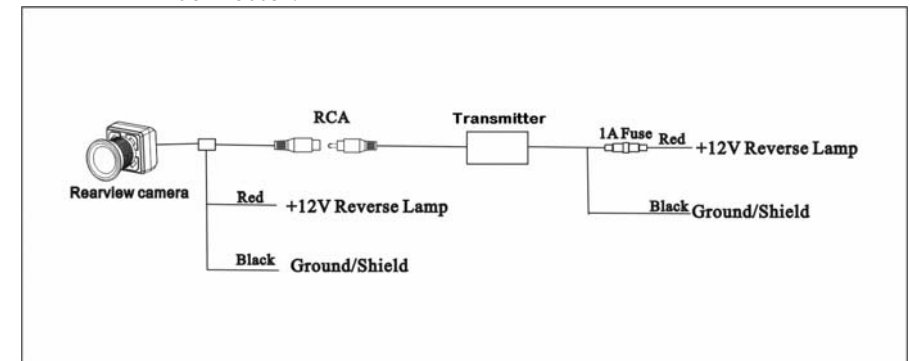
## Transmitter/Receiver Installation

The transmitter and the receiver must be installed in the vehicle's trunk or interior. The transmitter and receiver are not weather proof and must be located in a dry location

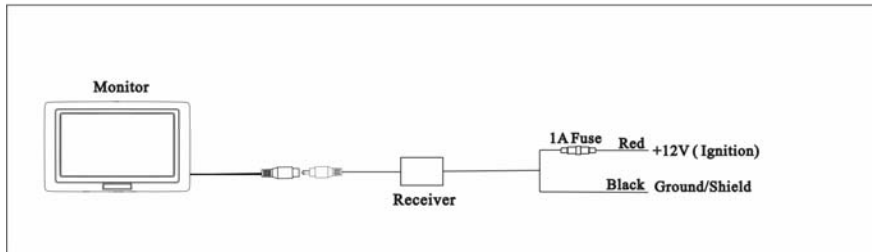
Tap/Run Connection



- a) Wiring the transmitter to the vehicle reverse lamp. Using the tap connectors supplied.
    - i. Place the unstripped positive lead wire on the run channel
    - ii. Insert the unstripped red power wire completely
    - iii. Fold the tap connector back over the wires and make the connection by crimping the u-contact down flush with the plastic insulator.
    - iv. Close the top hinged cover until latched.
  - b) Black wire- Chassis/Ground. Using. Using the tap connectors supplied.
    - i. Place the unstripped ground lead wire on the run channel
    - ii. Insert the unstripped black ground power wire completely
    - iii. Fold the tap connector back over the wires and make the connection by crimping the u-contact down flush with the plastic insulator.
    - iv. Close the top hinged cover until latched.
2. Wiring the transmitter to the camera.
    - a) Connect the transmitters RCA connector to the Cameras RCA connector.



- a. Wiring the receiver to the vehicle. Choose a source that only has power when the vehicle is running. Connect as shown Using the tap connectors supplied.
  - i. Place the unstripped ignition source wire on the run channel
  - ii. Place the unstripped red power wire completely
  - iii. Fold the tap connector back over the wires and make the connection by crimping the u-contact down flush with the plastic insulator.
  - iv. Close the top hinged cover until latched.
- b. Black wire- Chassis/Ground. Using ground ring supplied,
  - i. Place stripped wire (1/4") inside connector
  - ii. Crimp the connector using a crimping tool to secure the wire.



### Specifications:

1. Operating voltage: 11.5V-14.5V
2. Operating current:
  - Transmitter: 70mA
  - Receiver: 180mA
3. Operating frequency: 2.4GHz
4. Operating temperature: 0°C-50°C

### Troubleshooting

| Symptoms  | Solutions  |
|---|--|
| The Monitor is not on after the vehicle is started and vehicle is in reverse? | Check the monitor and the receiver wiring and connection.        |
| No video signal appears while reversing the vehicle?                          | Check the rearview Camera and the Transmitter wiring connection. |
| Video image is not sharp enough?  | Clean the lens of the camera.                                    |

### FCC STATEMENT

1. This device complies with Part 15 of the FCC Rules.

Operation is subject to the following two conditions:

- (1) This device may not cause harmful interference, and
  - (2) This device must accept any interference received, including interference that may cause undesired operation.
2. Changes or modifications not expressly approved by the party responsible for compliance could void the user's authority to operate the equipment.



For Customer Service  
Visit Our Website At  
**[www.audiovox.com](http://www.audiovox.com)**  
Product Information, Photos,  
FAQ's Owner's Manuals