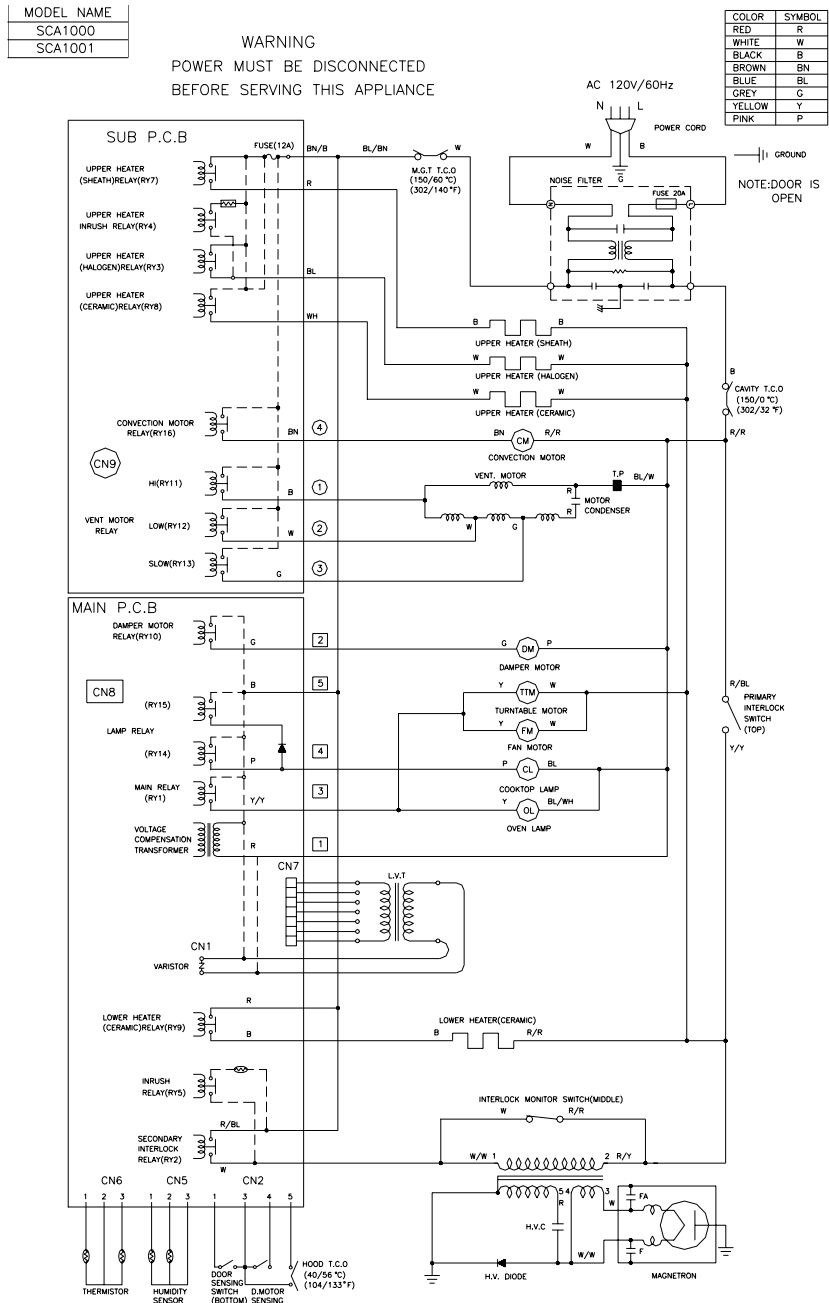


APPENDIX C. Block Diagram / Schematics

Model No.: MX-1483G
 FCC ID: BEJX147XGA



<Fig. 3. Schematic Diagram>