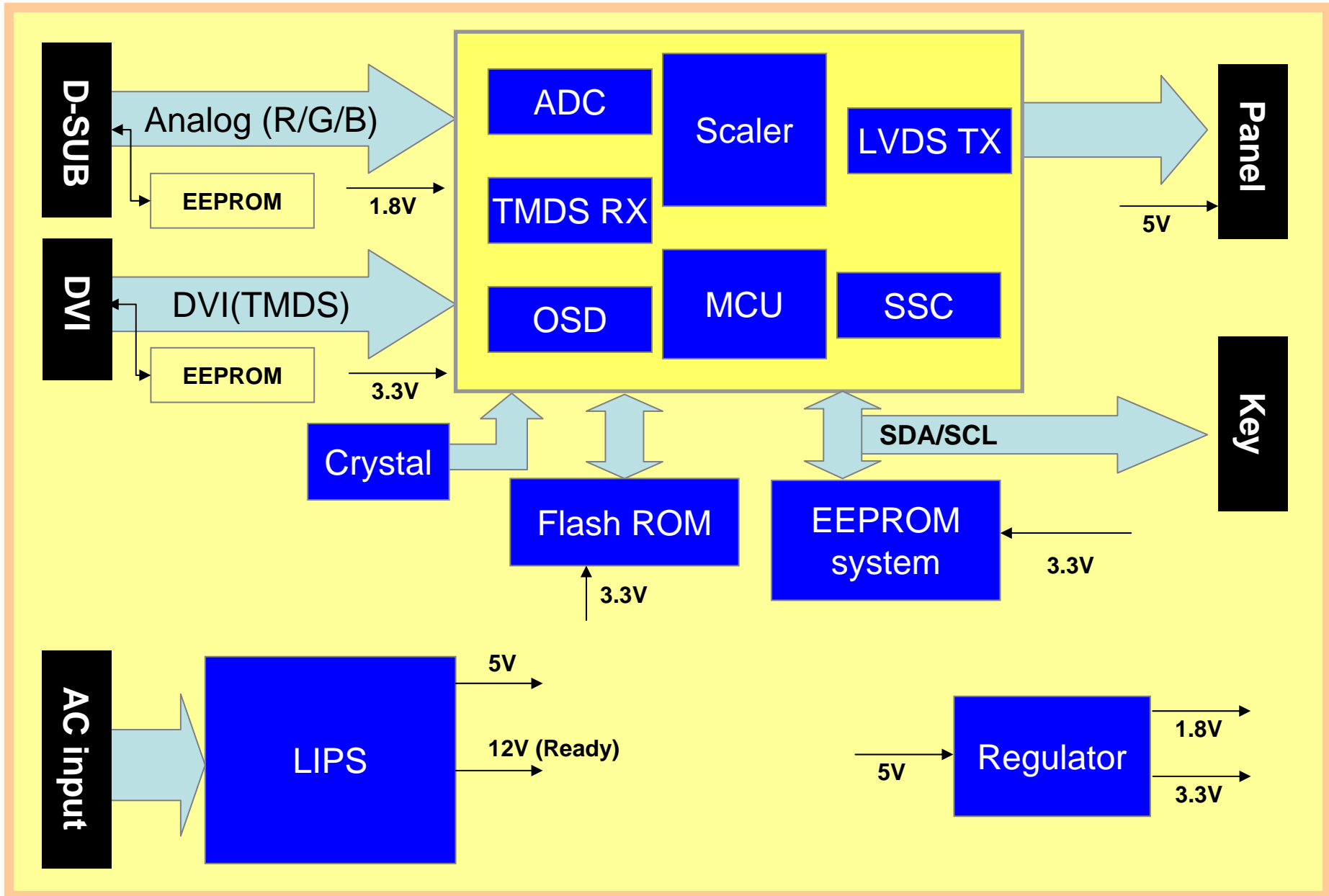


# Block diagram for W53/54 ( except HDMI model)

INPUT: 120V 60Hz  
 FUNDAMENTAL OPERATION FREQUENCY IS 0.030-0.083 MHz .



Crystal : HLX-U-F; HC-49/S (alternate)  
 Regulation: 14.31818MHz+/- 30PPM