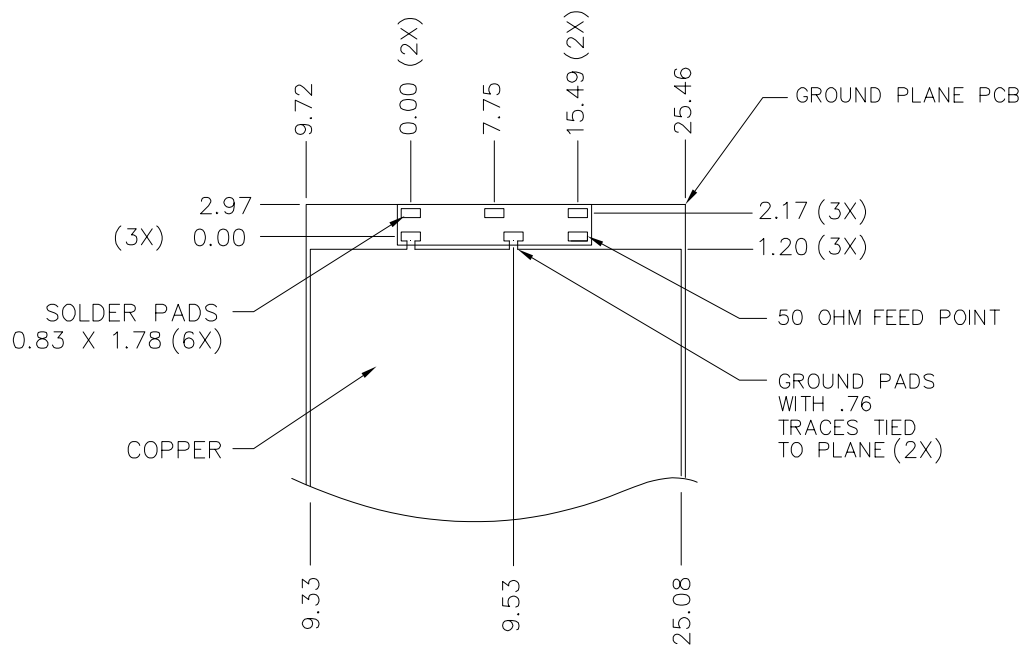


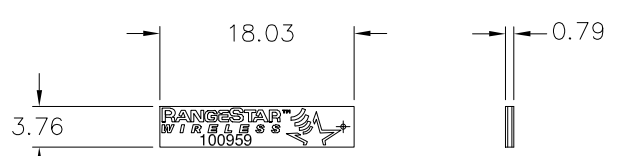
4 3 2 1

REVISIONS			
REV.	DESCRIPTION	DATE	APPROVED
1	DEVELOPMENT RELEASE	01/11/01	

SUGGESTED PCB PAD LAYOUT FOR GROUND PLANE



ANTENNA (REF)



PRIMARY SIDE SIDE VIEW

NOTE - SOLDER PADS ARE ON THE SECONDARY SIDE OF ANTENNA

PRIMARY SIDE

CONFIDENTIAL: THIS INFORMATION CONSTITUTES TRADE SECRETS OF RangeStar (tm) WIRELESS CORPORATION AND IS PRODUCED UNDER A NONDISCLOSURE OR MUTUAL NONDISCLOSURE AGREEMENT.

G=0 dBi

NEXT ASSY USED ON

UNLESS OTHERWISE SPECIFIED DIMENSIONS ARE IN MILLIMETERS. TOLERANCES ARE: MILLIMETERS ±.25 ±.127 ANGLES ±.5°	DO NOT SCALE DRAWING	
	APPROVALS	DATE
MATERIAL	DRAWN	01/11/01
SEE NOTES	CHECK	
FINISH	ENG	
SEE NOTES	MKTNG	
	ISSUED	

RANGESTAR WIRELESS™
 9565 SOQUEL DRIVE
 APTOS, CALIFORNIA 95003
 1 888 661 7100
 WWW.RANGESTAR.COM

DATA SHEET, ANTENNA

SIZE	DWG. NO.	REV
B	100959-300	1
SCALE	NONE	SHEET 1 of 1

4 3 2 1