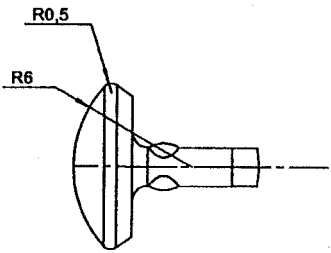
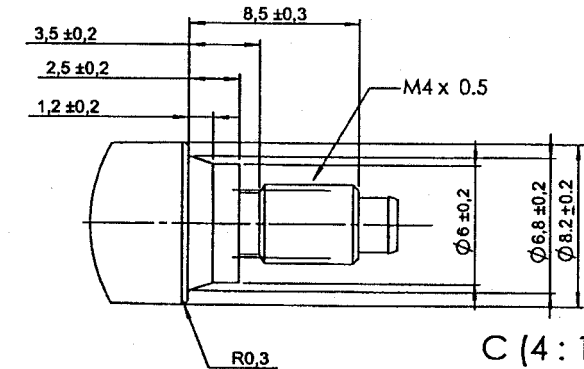
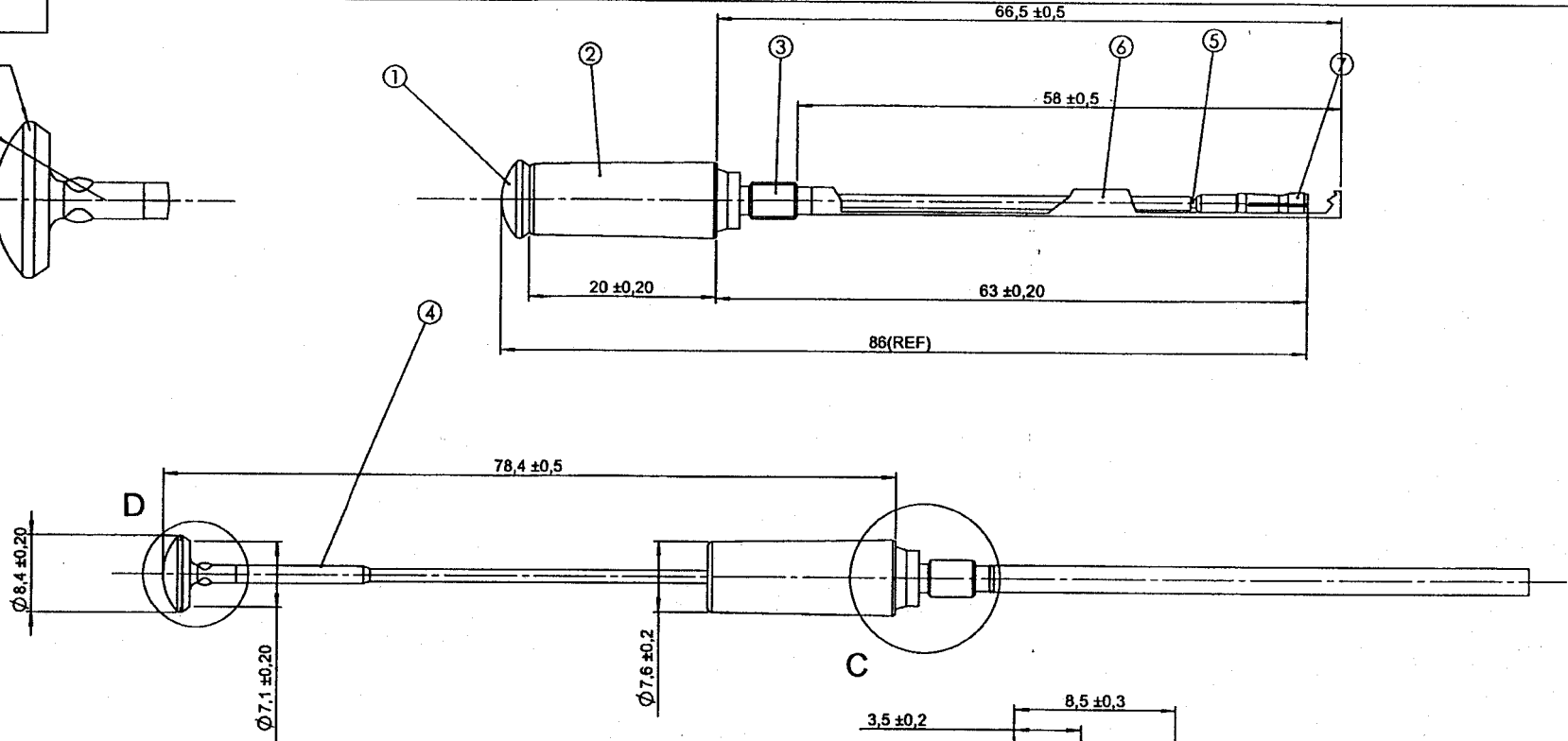


Unless otherwise stated specified dimensions apply after coating



D (4:1)



C (4:1)

7	Brass	SS 5170-04	Cu/Cu3Ni10b acc. to SS ISO 1458
6	Plastic	PA12	Colour: Black
5	Ni-Ti-Cr	Super elastic alloy	
4	Plastic	PCV KAVB-27-Nat	Colour: grey
3	Brass	SS 5170-04	Cu/Cu3Ni10b acc. to SS ISO 1458
2	Plastic	Santoprene	Surface acc.to Chamiles VDI no.33; Colour: grey
1	Plastic	Zytel 66 E101L	Surface acc.to Chamiles VDI no.33; Colour: grey
No	MATERIAL		SURFACE TREATMENT

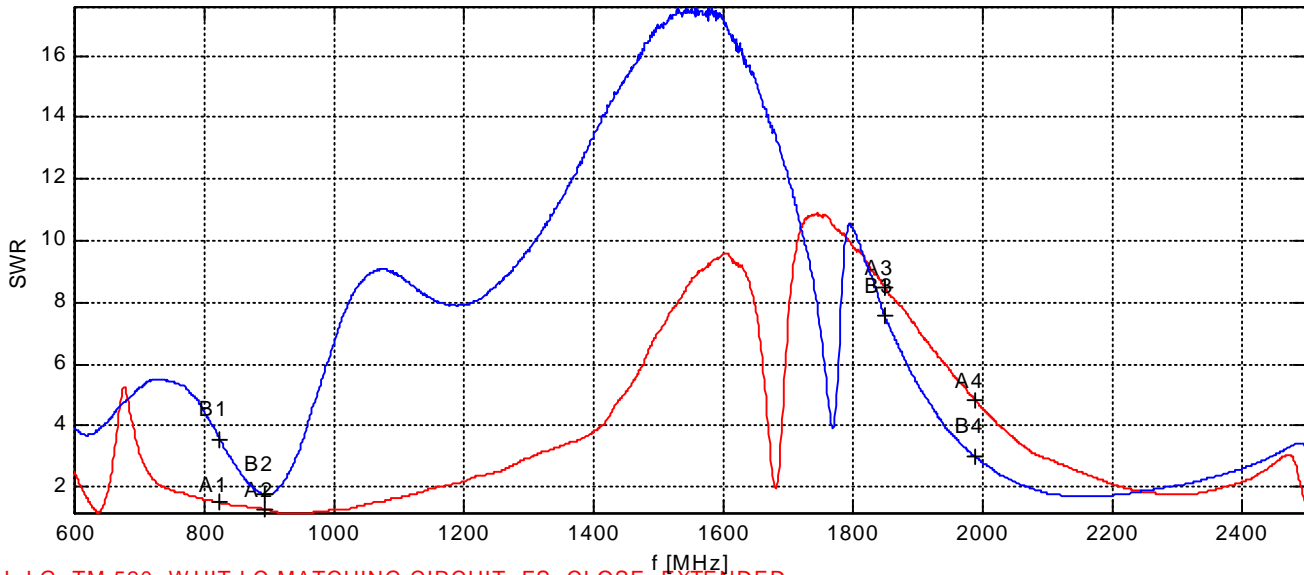
Name		Material / Drawing		Dim	Note
	Format	Scale	Date/Sign	Department	Finish
	A3	1:1	12/16/2000 MHN	R&D	Edges unless otherwise stated
Approved		Checked	Meq	Checked	Et
General tolerance				Surface treatment	
SS-ISO 2768m					
ALLGON MOBILE COMMUNICATIONS AB SWEDEN		Product Specification		Changeorder no	Date/Sign
				03/03/2001	MHN
				Page	1
				S103550.0005 P.9	



Issued by	Valid from	Checked by	Approved by	Reg no	Issue
Hamid Samavati	2001-05-02				
Document name			File		Page
TM 520, New matching circuit (LC)					1 (1)

VSWR Free space close (Retracted/Extended)

2-May-1 13:49 H:\TM520\NEW_MA-1\tmfscex.s1p

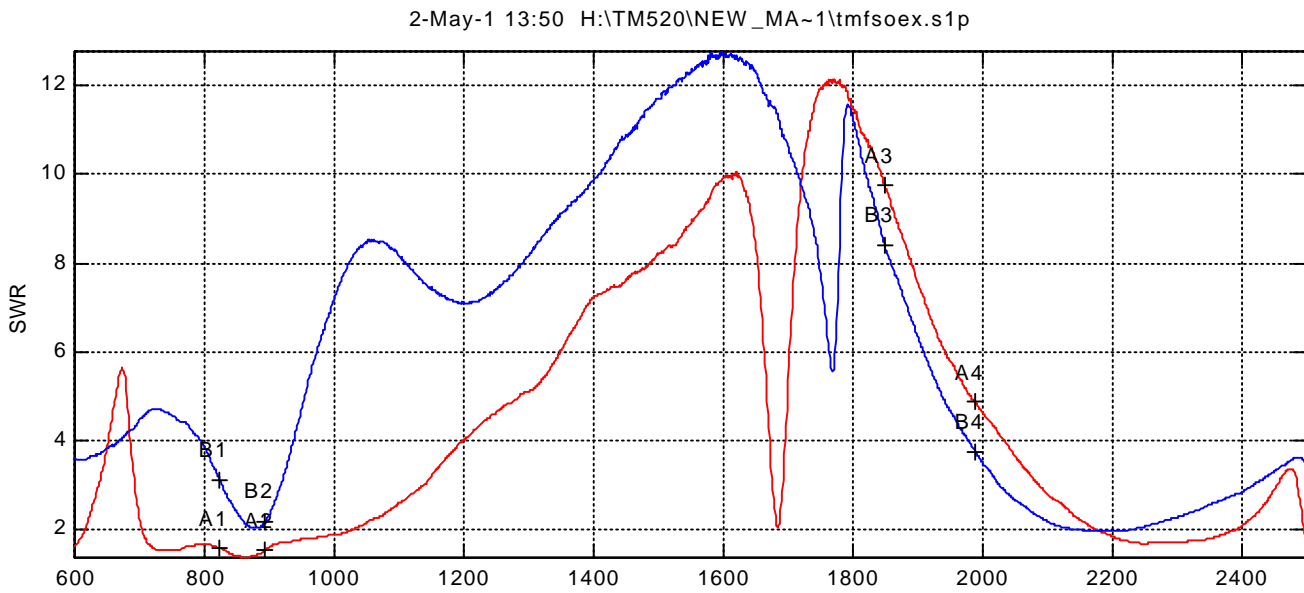


A: ! LG, TM 520, WHIT LC MATCHING CIRCUIT, FS, CLOSE, EXTENDED
A1(824,1.5) A2(894,1.29) A3(1850,8.48) A4(1990,4.81)
B: ! LG, TM 520, WHIT LC MATCHING CIRCUIT, FS, CLOSE, RETRACTED
B1(824,3.56) B2(894,1.75) B3(1850,7.55) B4(1990,2.98)



Issued by	Valid from	Checked by	Approved by	Reg no	Issue
Hamid Samavati	2001-05-02				
Document name			File		Page
TM 520, New matching circuit (LC)					2 (2)

VSWR Free space Open (Retracted/Extended)



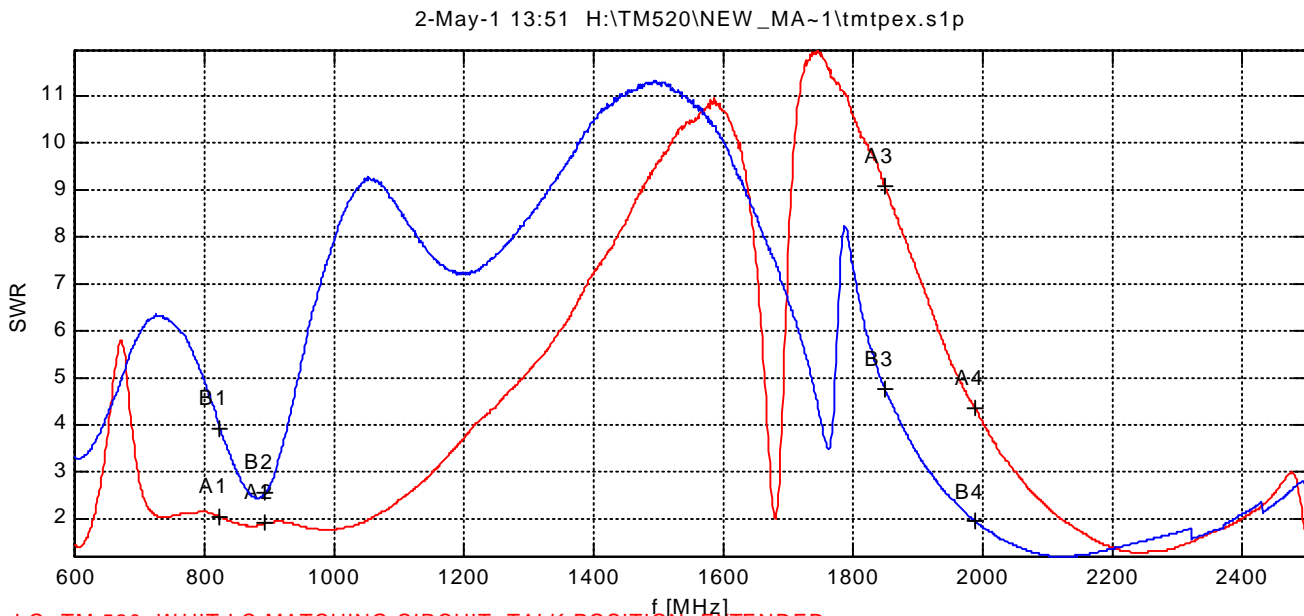
A: ! LG, TM 520, WHIT LC MATCHING CIRCUIT, FS, OPEN, EXTENDED
A1(824,1.58) A2(894,1.55) A3(1850,9.75) A4(1990,4.88)

B: ! LG, TM 520, WHIT LC MATCHING CIRCUIT, FS, OPEN, RETRACTED
B1(824,3.12) B2(894,2.2) B3(1850,8.39) B4(1990,3.75)



Issued by	Valid from	Checked by	Approved by	Reg no	Issue
Hamid Samavati	2001-05-02				
Document name			File		Page
TM 520, New matching circuit (LC)					3 (3)

VSWR Talk Position (Retracted / Extended)



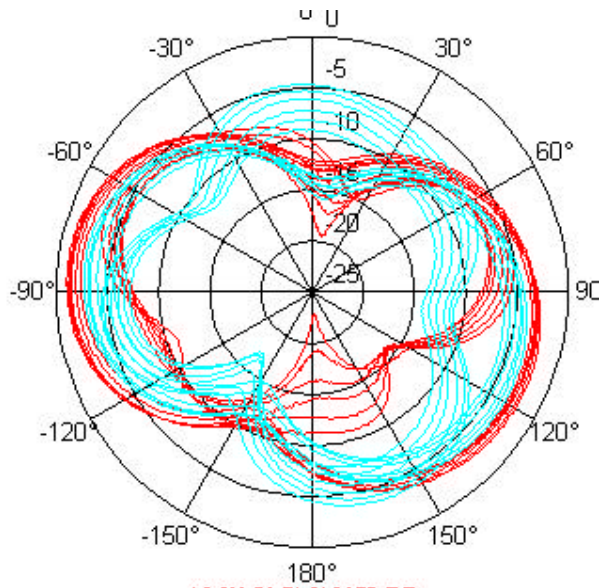
A: ! LG, TM 520, WHIT LC MATCHING CIRCUIT, TALK POSITION, EXTENDED
A1(824,2.06) A2(894,1.91) A3(1850,9.06) A4(1990,4.35)

3: ! LG, TM 520, WHIT LC MATCHING CIRCUIT, TALK POSITION, RETRACTED
B1(824,3.93) B2(894,2.56) B3(1850,4.76) B4(1990,1.95)



Issued by	Valid from	Checked by	Approved by	Reg no	Issue
Hamid Samavati	2001-05-02				
Document name			File		Page
TM 520, New matching circuit (LC)					4 (4)

**Free Space E1
Closed Telephone (Extended/ Retracted)**



LG 520 FS E1 CLOSED EXT.
LG 520 FS E1 CLOSED RET.

520fe1ce.bin

Freq	Peak(dBd)	Mean
824	-2.27	-6
836	-1.8	-5.63
849	-1.39	-5.3
869	-1.31	-5.32
881	-1.14	-5.27
894	-0.94	-5.25
1850	-5.41	-10.72
1880	-5.45	-10.63
1910	-5.23	-10.34
1930	-4.55	-9.65
1960	-4.14	-9.18
1990	-3.4	-8.72

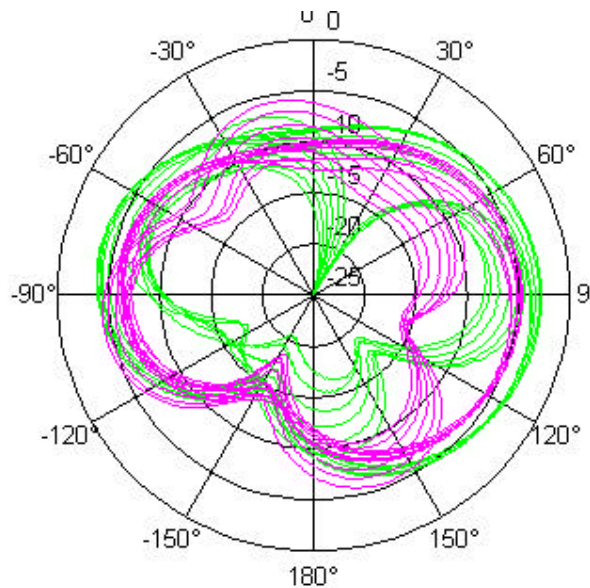
520fe1cr.bin

Freq	Peak(dBd)	Mean
824	-5.43	-8.7
836	-4.68	-8.06
849	-3.87	-7.35
869	-3.17	-6.74
881	-2.97	-6.62
894	-2.63	-6.44
1850	-7.17	-10.38
1880	-6.55	-9.63
1910	-5.66	-8.86
1930	-4.67	-7.93
1960	-4.05	-7.14
1990	-3.56	-6.57



Issued by	Valid from	Checked by	Approved by	Reg no	Issue
Hamid Samavati	2001-05-02				
Document name			File		Page
TM 520, New matching circuit (LC)					5 (5)

Free Space E1 Open Telephone (Extended/ Retracted)



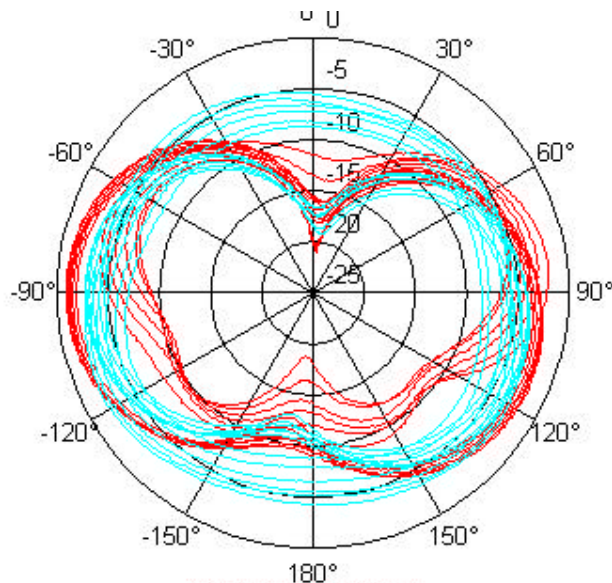
LG 520 FS E1 OPEN EXT.
LG 520 FS E1 OPEN RET.

520fe1oe.bin			520fe1or.bin		
Freq	Peak(dBd)	Mean	Freq	Peak(dBd)	Mean
824	-2.91	-6.58	824	-5.01	-8.31
836	-2.7	-6.24	836	-4.68	-7.89
849	-2.68	-6.05	849	-4.59	-7.61
869	-3.3	-6.42	869	-5.08	-7.85
881	-3.55	-6.67	881	-5.46	-8.3
894	-3.55	-6.85	894	-5.44	-8.6
1850	-7.37	-12.91	1850	-6.95	-12.06
1880	-7.57	-12.82	1880	-6.65	-11.44
1910	-6.82	-12.16	1910	-6.31	-10.71
1930	-5.84	-11.25	1930	-5.5	-9.76
1960	-5.05	-10.43	1960	-4.75	-8.82
1990	-4.34	-9.55	1990	-4.28	-7.98



Issued by	Valid from	Checked by	Approved by	Reg no	Issue
Hamid Samavati	2001-05-02				
Document name			File		Page
TM 520, New matching circuit (LC)					6 (6)

Free Space E2 Closed Telephone (Extended/ Retracted)



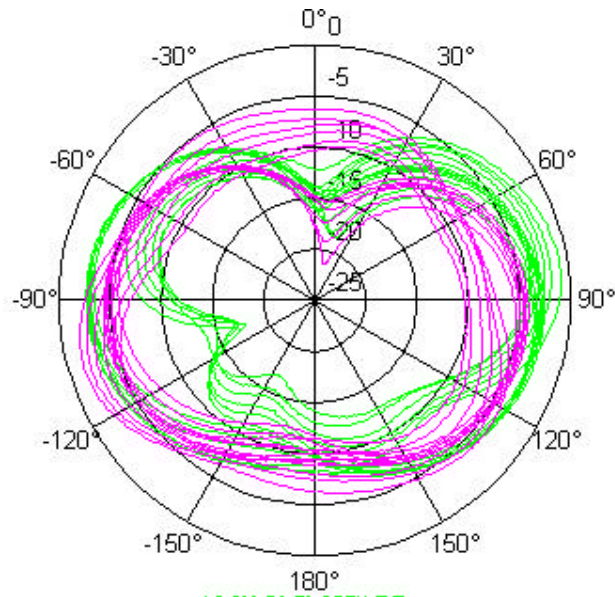
LG 520 FS E2 CLOSED EXT.
LG 520 FS E2 CLOSED RET.

520fe2ce.bin			520fe2cr.bin		
Freq	Peak(dBd)	Mean	Freq	Peak(dBd)	Mean
824	-1.84	-6.22	824	-4.63	-8.45
836	-1.48	-5.88	836	-4.07	-7.92
849	-1.25	-5.54	849	-3.48	-7.22
869	-1.15	-5.44	869	-3	-6.74
881	-0.98	-5.41	881	-2.78	-6.65
894	-0.86	-5.44	894	-2.69	-6.72
1850	-5.63	-10.43	1850	-5.96	-7.86
1880	-5.29	-10.15	1880	-4.98	-7.03
1910	-4.37	-9.35	1910	-4.05	-5.95
1930	-3.68	-8.6	1930	-3.16	-5.05
1960	-2.84	-7.85	1960	-2.54	-4.67
1990	-1.86	-6.98	1990	-2.13	-4.1



Issued by	Valid from	Checked by	Approved by	Reg no	Issue
Hamid Samavati	2001-05-02				
Document name			File		Page
TM 520, New matching circuit (LC)					7 (7)

Free Space E2 Open Telephone(Extended/ Retracted)



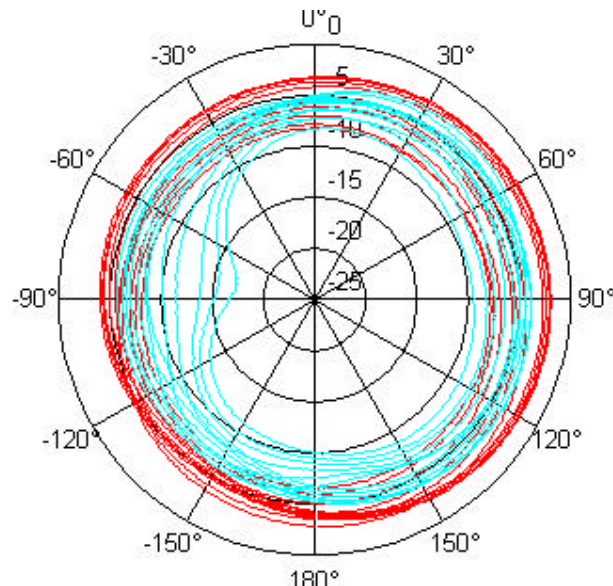
LG 520 FS E2 OPEN EXT.
LG 520 FS E2 OPEN RET.

520fe2oe.bin			520fe2or.bin		
Freq	Peak(dBd)/Mean		Freq	Peak(dBd)/Mean	
824	-2.95	-6.11	824	-4.79	-7.76
836	-2.73	-5.8	836	-4.42	-7.31
849	-2.48	-5.68	849	-3.99	-7.01
869	-2.82	-6.24	869	-4.22	-7.47
881	-2.94	-6.58	881	-4.63	-8.09
894	-3.23	-6.92	894	-4.89	-8.73
1850	-3.75	-10.26	1850	-5.15	-9.37
1880	-3.51	-10	1880	-4.65	-8.64
1910	-2.82	-9.33	1910	-3.74	-7.54
1930	-2.25	-8.64	1930	-2.89	-6.63
1960	-1.66	-8.06	1960	-2.17	-6.08
1990	-0.76	-7.23	1990	-1.54	-5.32



Issued by	Valid from	Checked by	Approved by	Reg no	Issue
Hamid Samavati	2001-05-02				
Document name			File		Page
TM 520, New matching circuit (LC)					8 (8)

Free Space H Closed Telephone (Extended/ Retracted)



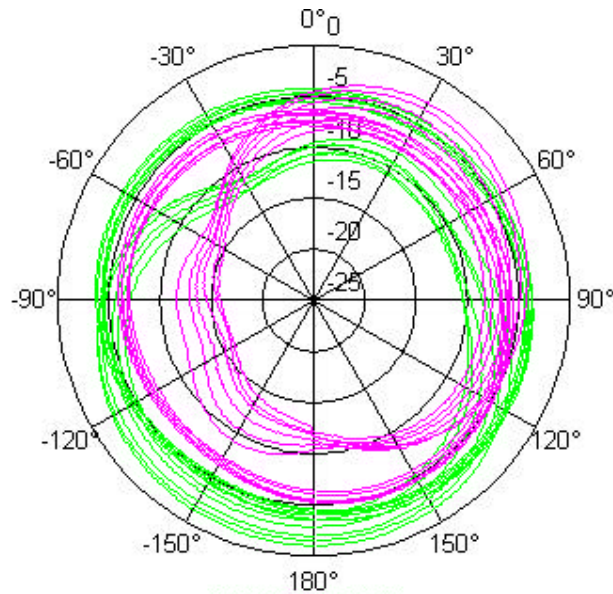
LG 520 FS H CLOSED EXT.
LG 520 FS H CLOSED RET.

520fshce.bin			520fshcr.bin		
Freq	Peak(dBd)	Mean	Freq	Peak(dBd)	Mean
824	-2.54	-4.14	824	-5.19	-7.04
836	-2.31	-3.77	836	-4.68	-6.36
849	-2.01	-3.39	849	-4.17	-5.74
869	-1.86	-3.33	869	-3.72	-5.3
881	-1.83	-3.29	881	-3.74	-5.26
894	-1.92	-3.24	894	-3.65	-5
1850	-6.57	-7.72	1850	-8.1	-10.51
1880	-5.96	-7.25	1880	-6.98	-9.48
1910	-4.99	-6.5	1910	-5.82	-8.6
1930	-3.96	-5.55	1930	-4.85	-7.54
1960	-3.34	-5.01	1960	-3.92	-6.49
1990	-2.61	-4.51	1990	-3.32	-5.83



Issued by	Valid from	Checked by	Approved by	Reg no	Issue
Hamid Samavati	2001-05-02				
Document name			File		Page
TM 520, New matching circuit (LC)					9 (9)

Free Space H Open Telephone (Extended/ Retracted)



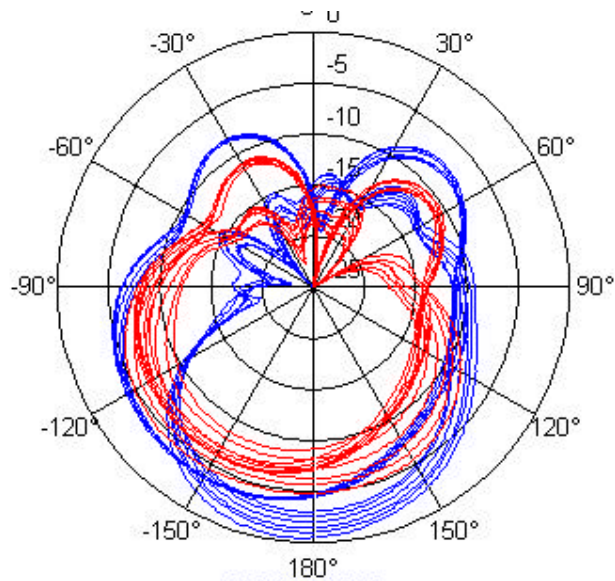
LG 520 FS H OPEN EXT.
LG 520 FS H OPEN RET.

520fshoe.bin			520fshor.bin		
Freq	Peak(dBd)	Mean	Freq	Peak(dBd)	Mean
824	-3.04	-4.49	824	-4.93	-6.68
836	-2.95	-4.09	836	-4.73	-6.16
849	-2.89	-3.82	849	-4.61	-5.81
869	-3.25	-4.21	869	-4.78	-6.01
881	-3.53	-4.55	881	-5.31	-6.59
894	-3.76	-4.77	894	-5.71	-6.95
1850	-4.09	-7.75	1850	-7.71	-10.8
1880	-3.52	-7.4	1880	-6.67	-10.1
1910	-2.86	-6.74	1910	-5.35	-9.31
1930	-1.99	-5.78	1930	-4.3	-8.5
1960	-1.54	-5.37	1960	-3.4	-7.71
1990	-1.04	-4.86	1990	-2.62	-7.09



Issued by	Valid from	Checked by	Approved by	Reg no	Issue
Hamid Samavati	2001-05-02				
Document name			File		Page
TM 520, New matching circuit (LC)					10 (10)

Talk Position



LG 520 TP H EXT.
LG 520 TP H RET.

520tpe.bin			520tphr.bin		
Freq	Peak(dBd)	Mean	Freq	Peak(dBd)	Mean
824	-3.67	-8.05	824	-6.92	-11.18
836	-3.54	-7.92	836	-6.51	-10.87
849	-3.44	-7.75	849	-6.14	-10.49
869	-3.66	-7.7	869	-5.99	-10.23
881	-3.59	-7.61	881	-6.03	-10.36
894	-3.64	-7.73	894	-6.01	-10.56
1850	-3.06	-10.45	1850	-8.65	-13.62
1880	-2.61	-10.2	1880	-7.93	-12.86
1910	-2.05	-9.74	1910	-6.99	-11.93
1930	-1.45	-9.18	1930	-6.17	-11.05
1960	-1.04	-8.8	1960	-5.35	-10.35
1990	-0.45	-8.26	1990	-4.47	-9.5



Issued by	Valid from	Checked by	Approved by	Reg no	Issue
Hamid Samavati	2001-05-02				
Document name			File		Page
TM 520, New matching circuit (LC)					11 (11)

TM 520

