

**2A-n71A (5 MHz - DFTS-OFDM BPSK) Ant. 1**

Frequency (MHz)	Measured Level (dB $\mu$ V)	Ant. Pol.	AF (dB/m)	AMP+CL (dB)	E (dB $\mu$ V/m)	CF (dB)	E.R.P. (dB m)	Limit (dB m)	Margin (dB)
Low Channel (665.5 MHz)									
1 326.52	54.33	H	25.05	-39.86	39.52	-97.41	-57.89	-13	44.89
1 326.59	52.88	V	25.05	-39.86	38.07	-97.41	-59.34	-13	46.34
1 374.99	50.68	H	25.20	-39.57	36.31	-97.41	-61.10	-13	48.10
1 375.12	52.27	V	25.20	-39.43	38.04	-97.41	-59.37	-13	46.37
1 625.21	50.53	H	25.70	-38.99	37.24	-97.41	-60.17	-13	47.17
1 959.13	56.98	H	27.52	-37.85	46.65	-97.41	-50.76	-13	37.76
1 959.20	59.34	V	27.52	-37.85	49.01	-97.41	-48.40	-13	35.40
3 994.11	45.62	H	32.20	-31.18	46.64	-97.41	-50.77	-13	37.77
3 993.65	47.30	V	32.20	-31.18	48.32	-97.41	-49.09	-13	36.09
Above 4 000.00	Not detected	-	-	-	-	-	-	-	-
Middle Channel (680.5 MHz)									
1 356.72	47.13	H	25.13	-39.78	32.48	-97.41	-64.93	-13	51.93
1 356.46	47.11	V	25.13	-39.78	32.46	-97.41	-64.95	-13	51.95
1 375.11	51.39	H	25.20	-39.43	37.16	-97.41	-60.25	-13	47.25
1 375.24	52.87	V	25.20	-39.43	38.64	-97.41	-58.77	-13	45.77
1 625.05	50.81	H	25.70	-38.99	37.52	-97.41	-59.89	-13	46.89
1 959.01	57.66	H	27.52	-37.85	47.33	-97.41	-50.08	-13	37.08
1 958.98	60.24	V	27.52	-37.85	49.91	-97.41	-47.50	-13	34.50
4 070.02	48.03	H	32.10	-32.10	48.03	-97.41	-49.38	-13	36.38
4 070.25	52.02	V	32.10	-32.10	52.02	-97.41	<b>-45.39</b>	-13	32.39
Above 4 100.00	Not detected	-	-	-	-	-	-	-	-

Frequency (MHz)	Measured Level (dB $\mu$ V)	Ant. Pol.	AF (dB/m)	AMP+CL (dB)	E (dB $\mu$ V/m)	CF (dB)	E.R.P. (dB m)	Limit (dB m)	Margin (dB)
High Channel (695.5 MHz)									
1 386.89	49.27	H	25.25	-39.53	34.99	-97.41	-62.42	-13	49.42
1 386.60	46.93	V	25.25	-39.53	32.65	-97.41	-64.76	-13	51.76
1 375.24	50.44	H	25.20	-39.43	36.21	-97.41	-61.20	-13	48.20
1 375.41	52.36	V	25.20	-39.44	38.12	-97.41	-59.29	-13	46.29
1 625.11	50.39	H	25.70	-38.99	37.10	-97.41	-60.31	-13	47.31
1 958.06	57.56	H	27.52	-37.85	47.23	-97.41	-50.18	-13	37.18
1 961.16	60.62	V	27.52	-37.85	50.29	-97.41	-47.12	-13	34.12
4 160.36	46.13	H	32.18	-31.77	46.54	-97.41	-50.87	-13	37.87
4 159.90	43.56	V	32.18	-31.77	43.97	-97.41	-53.44	-13	40.44
Above 4 200.00	Not detected	-	-	-	-	-	-	-	-

**2A-n71A (5 MHz - DFTS-OFDM BPSK) Ant. 3**

Frequency (MHz)	Measured Level (dB $\mu$ V)	Ant. Pol.	AF (dB/m)	AMP+CL (dB)	E (dB $\mu$ V/m)	CF (dB)	E.R.P. (dB m)	Limit (dB m)	Margin (dB)
Low Channel (665.5 MHz)									
1 331.35	65.52	H	25.06	-39.88	50.70	-97.41	-46.71	-13	33.71
1 331.41	54.82	V	25.06	-39.88	40.00	-97.41	-57.41	-13	44.41
1 375.07	50.89	H	25.20	-39.43	36.66	-97.41	-60.75	-13	47.75
1 375.20	50.28	V	25.20	-39.43	36.05	-97.41	-61.36	-13	48.36
1 625.16	47.96	H	25.70	-38.99	34.67	-97.41	-62.74	-13	49.74
1 958.35	72.05	H	27.52	-37.85	61.72	-97.41	-35.69	-13	22.69
1 960.10	69.85	V	27.52	-37.85	59.52	-97.41	-37.89	-13	24.89
3 994.22	44.55	H	32.20	-31.18	45.57	-97.41	-51.84	-13	38.84
Above 4 000.00	Not detected	-	-	-	-	-	-	-	-
Middle Channel (680.5 MHz)									
1 361.17	58.04	H	25.14	-39.73	43.45	-97.41	-53.96	-13	40.96
1 374.87	50.64	H	25.20	-39.58	36.26	-97.41	-61.15	-13	48.15
1 375.03	50.31	V	25.20	-39.43	36.08	-97.41	-61.33	-13	48.33
1 625.32	47.85	H	25.70	-38.99	34.56	-97.41	-62.85	-13	49.85
1 961.60	72.24	H	27.52	-37.85	61.91	-97.41	<b>-35.50</b>	-13	22.50
1 958.62	69.93	V	27.52	-37.85	59.60	-97.41	-37.81	-13	24.81
Above 2 000.00	Not detected	-	-	-	-	-	-	-	-
High Channel (695.5 MHz)									
1 375.13	50.96	H	25.20	-39.43	36.73	-97.41	-60.68	-13	47.68
1 375.25	50.23	V	25.20	-39.43	36.00	-97.41	-61.41	-13	48.41
1 391.39	49.25	H	25.27	-39.57	34.95	-97.41	-62.46	-13	49.46
1 391.41	48.84	V	25.27	-39.57	34.54	-97.41	-62.87	-13	49.87
1 625.19	47.63	H	25.70	-38.99	34.34	-97.41	-63.07	-13	50.07
1 960.65	72.20	H	27.52	-37.85	61.87	-97.41	-35.54	-13	22.54
1 959.91	70.05	V	27.52	-37.85	59.72	-97.41	-37.69	-13	24.69
Above 2 000.00	Not detected	-	-	-	-	-	-	-	-

**SIM 2**

**NR Band 25 (20 MHz - DFTS-OFDM QPSK)\_Ant. 3**

Frequency (MHz)	Measured Level (dBμV)	Ant. Pol.	AF (dB/m)	AMP+CL (dB)	E (dBμV/m)	CF (dB)	E.I.R.P. (dB m)	Limit (dB m)	Margin (dB)
Low Channel (1 860.0 MHz)									
3 738.30	42.22	H	32.25	-33.75	40.72	-95.26	-54.54	-13	41.54
3 738.31	43.63	V	32.25	-33.75	42.13	-95.26	-53.13	-13	40.13
Above 3 800.00	Not detected	-	-	-	-	-	-	-	-
Middle Channel (1 882.5 MHz)									
3 783.65	45.38	H	32.25	-33.75	40.72	-95.26	-54.54	-13	41.54
3 783.70	46.88	V	32.25	-33.75	42.13	-95.26	-53.13	-13	40.13
Above 3 800.00	Not detected	-	-	-	-	-	-	-	-
High Channel (1 905.0 MHz)									
3 828.62	45.06	H	32.14	-32.62	44.58	-95.26	<b>-50.68</b>	-13	37.68
3 828.49	44.77	V	32.14	-32.62	44.29	-95.26	-50.97	-13	37.97
Above 3 900.00	Not detected	-	-	-	-	-	-	-	-

**NR Band 41 (30 MHz - DFTS-OFDM BPSK)\_FCC\_Ant. 3**

Frequency (MHz)	Measured Level (dBμV)	Ant. Pol.	AF (dB/m)	AMP+CL (dB)	E (dBμV/m)	CF (dB)	E.I.R.P. (dB m)	Limit (dB m)	Margin (dB)
Low Channel (2 511.00 MHz)									
4 994.83	51.74	V	33.30	-30.12	54.92	-95.26	-40.34	-25	15.34
Above 5 000.00	Not detected	-	-	-	-	-	-	-	-
Middle Channel (2 592.99 MHz)									
5 158.87	50.63	V	33.52	-30.94	53.21	-95.26	-42.05	-25	17.05
Above 5 200.00	Not detected	-	-	-	-	-	-	-	-
High Channel (2 674.98 MHz)									
5 322.87	52.05	V	33.99	-30.83	55.21	-95.26	<b>-40.05</b>	-25	15.05
Above 5 400.00	Not detected	-	-	-	-	-	-	-	-

**NR Band 41 (30 MHz - DFTS-OFDM BPSK)\_IC\_Ant. 3**

Frequency (MHz)	Measured Level (dB $\mu$ V)	Ant. Pol.	AF (dB/m)	AMP+CL (dB)	E (dB $\mu$ V/m)	CF (dB)	E.I.R.P. (dB m)	Limit (dB m)	Margin (dB)
Low Channel (2 515.02 MHz)									
5 002.88	52.07	V	33.30	-31.11	54.26	-95.26	-41.00	-25	16.00
Above 5 100.00	Not detected	-	-	-	-	-	-	-	-
Middle Channel (2 595.00 MHz)									
5 162.82	51.32	V	33.53	-30.88	53.97	-95.26	-41.29	-25	16.29
Above 5 200.00	Not detected	-	-	-	-	-	-	-	-
High Channel (2 674.98 MHz)									
5 377.28	52.23	V	34.10	-30.63	55.70	-95.26	<b>-39.56</b>	-25	14.56
Above 5 400.00	Not detected	-	-	-	-	-	-	-	-

**NR band 66 (40 MHz - DFTS-OFDM BPSK)\_Ant. 3**

Frequency (MHz)	Measured Level (dB $\mu$ V)	Ant. Pol.	AF (dB/m)	AMP+CL (dB)	E (dB $\mu$ V/m)	CF (dB)	E.I.R.P. (dB m)	Limit (dB m)	Margin (dB)
Middle Channel (1 745.0 MHz)									
5 245.13	51.54	V	33.69	-29.99	55.24	-95.26	<b>-40.02</b>	-13	27.02
Above 5 300.00	Not detected	-	-	-	-	-	-	-	-

**NR band 71 (5 MHz - DFTS-OFDM QPSK)\_Ant. 3**

Frequency (MHz)	Measured Level (dB $\mu$ V)	Ant. Pol.	AF (dB/m)	AMP+CL (dB)	E (dB $\mu$ V/m)	CF (dB)	E.R.P. (dB m)	Limit (dB m)	Margin (dB)
Low Channel (665.5 MHz)									
1 335.01	50.80	H	25.07	-39.91	35.96	-97.41	-61.45	-13	48.45
1 334.87	52.59	V	25.07	-39.90	37.76	-97.41	-59.65	-13	46.65
1 374.88	52.03	H	25.20	-39.58	37.65	-97.41	-59.76	-13	46.76
1 375.23	49.76	V	25.20	-39.43	35.53	-97.41	-61.88	-13	48.88
1 624.88	49.10	H	25.70	-39.00	35.80	-97.41	-61.61	-13	48.61
Above 1 700.00	Not detected	-	-	-	-	-	-	-	-
Middle Channel (680.5 MHz)									
1 364.95	49.24	H	25.16	-39.68	34.72	-97.41	-62.69	-13	49.69
1 364.87	51.01	V	25.16	-39.68	36.49	-97.41	-60.92	-13	47.92
1 374.90	50.76	H	25.20	-39.58	36.38	-97.41	-61.03	-13	48.03
1 375.12	49.06	V	25.20	-39.43	34.83	-97.41	-62.58	-13	49.58
1 625.15	49.19	H	25.70	-38.99	35.90	-97.41	-61.51	-13	48.51
Above 1 700.00	Not detected	-	-	-	-	-	-	-	-
High Channel (695.5 MHz)									
1 374.86	52.99	H	25.20	-39.58	38.61	-97.41	-58.80	-13	45.80
1 374.97	49.69	V	25.20	-39.58	35.31	-97.41	-62.10	-13	49.10
1 394.99	55.08	H	25.28	-39.59	40.77	-97.41	-56.64	-13	43.64
1 395.00	55.34	V	25.28	-39.60	41.02	-97.41	<b><u>-56.39</u></b>	-13	43.39
1 625.07	49.47	H	25.70	-38.99	36.18	-97.41	-61.23	-13	48.23
Above 1 700.00	Not detected	-	-	-	-	-	-	-	-

**Remark;**

1. AF = Antenna Factor, CL = Cable Loss, CF = Conversion Factor.
2. E (dB $\mu$ V/m) = Measured Level (dB $\mu$ V) + Antenna Factor (dB/m) + AMP (dB) + Cable Loss (dB).
3. E.I.R.P. (dB m) = E (dB $\mu$ V/m) + CF (dB).
4. E.R.P. (dB m) = E (dB $\mu$ V/m) + CF (dB) - 2.15 (dB); where E.R.P. and E.I.R.P. are expressed in consistent units.
5. CF (dB) = 20 log D - 104.8; where D is the measurement distance in meters, According to KDB 971168 D01 v03r01 5.8.4.
6. The frequency spectrum is examined from 9 kHz to the 10<sup>th</sup> harmonic of the fundamental frequency of the transmitter. No other spurious and harmonic emissions were reported greater than listed emissions above table.

### 3. Conducted Output Power

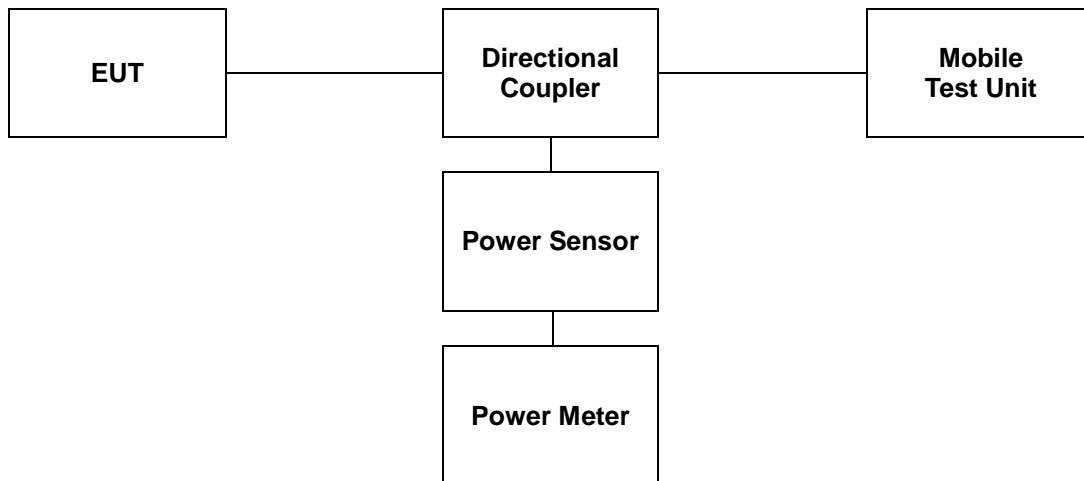
#### 3.1. Limit

CFR 47, Section FCC §2.1046 and IC RSS-Gen Issue 5 6.12.

#### 3.2. Test Procedure

Output power shall be measured at the RF output terminals for all configurations.

1. The RF output of the transmitter was connected to the input of the mobile test unit in order to establish communication with the EUT.
2. The EUT was set up for the max. output power with pseudo random data modulation by using mobile test unit parameters.
3. The measurement performed using a wideband RF power meter.
4. This EUT was tested under all configurations and the highest power was investigated and reported.



### 3.3. Test Result

Ambient temperature : (23 ± 1) °C  
 Relative humidity : 47 % R.H.

#### SIM 1

NR Band 25										
BW (MHz)	SCS (kHz)	Modulation	RB Size	RB Offset	Conducted Output Power					
					370500 (1 852.5 MHz)		376500 (1 882.5 MHz)		382500 (1 912.5 MHz)	
					(dB m)	(W)	(dB m)	(W)	(dB m)	(W)
5	15	DFT-S-OFDM BPSK	1	1	22.67	0.185	22.87	0.194	22.43	0.175
			1	13	22.73	0.187	23.13	0.206	22.49	0.177
			1	23	22.73	0.187	23.11	0.205	22.45	0.176
			12	0	22.12	0.163	22.54	0.179	22.18	0.165
			12	7	22.68	0.185	23.11	0.205	22.71	0.187
			12	13	22.18	0.165	22.68	0.185	22.20	0.166
		25	0	22.16	0.164	22.67	0.185	22.22	0.167	
		DFT-S-OFDM QPSK	1	1	22.40	0.174	23.14	0.206	22.39	0.173
			1	13	22.49	0.177	<b>23.23</b>	<b>0.210</b>	22.38	0.173
			1	23	22.50	0.178	23.13	0.206	22.26	0.168
			12	0	21.58	0.144	22.03	0.160	21.71	0.148
			12	7	22.63	0.183	23.12	0.205	22.72	0.187
			12	13	21.66	0.147	22.18	0.165	21.78	0.151
		25	0	21.63	0.146	22.04	0.160	21.77	0.150	
		DFT-S-OFDM 16QAM	1	1	22.02	0.159	22.67	0.185	22.21	0.166
		DFT-S-OFDM 64QAM	1	1	19.16	0.082	19.45	0.088	19.22	0.084
		DFT-S-OFDM 256QAM	1	1	18.63	0.073	18.96	0.079	18.87	0.077
		CP-OFDM QPSK	1	1	21.41	0.138	21.88	0.154	21.56	0.143
		CP-OFDM 16QAM	1	1	21.81	0.152	22.21	0.166	22.07	0.161
		CP-OFDM 64QAM	1	1	17.09	0.051	17.51	0.056	17.14	0.052
CP-OFDM 256QAM	1	1	16.35	0.043	16.68	0.047	16.74	0.047		



NR Band 25										
BW (MHz)	SCS (kHz)	Modulation	RB Size	RB Offset	Conducted Output Power					
					371000 (1 855.0 MHz)		376500 (1 882.5 MHz)		382000 (1 910.0 MHz)	
					(dB m)	(W)	(dB m)	(W)	(dB m)	(W)
10	15	DFT-S-OFDM BPSK	1	1	22.67	0.185	22.81	0.191	22.72	0.187
			1	26	22.77	0.189	23.02	0.200	22.67	0.185
			1	50	22.81	0.191	23.04	0.201	22.34	0.171
			25	0	22.21	0.166	22.57	0.181	22.40	0.174
			25	14	22.78	0.190	23.06	0.202	22.83	0.192
			25	27	22.35	0.172	22.66	0.185	22.31	0.170
			50	0	22.18	0.165	22.55	0.180	22.24	0.167
		DFT-S-OFDM QPSK	1	1	22.62	0.183	22.95	0.197	22.73	0.187
			1	26	22.63	0.183	23.03	0.201	22.62	0.183
			1	50	22.68	0.185	<b>23.10</b>	<b>0.204</b>	22.52	0.179
			25	0	21.66	0.147	22.04	0.160	21.79	0.151
			25	14	22.67	0.185	23.05	0.202	22.74	0.188
			25	27	21.79	0.151	22.14	0.164	21.74	0.149
		50	0	21.72	0.149	22.01	0.159	21.73	0.149	
		DFT-S-OFDM 16QAM	1	1	22.36	0.172	21.97	0.157	22.37	0.173
		DFT-S-OFDM 64QAM	1	1	19.05	0.080	19.37	0.086	19.18	0.083
		DFT-S-OFDM 256QAM	1	1	18.54	0.071	18.88	0.077	18.63	0.073
		CP-OFDM QPSK	1	1	21.65	0.146	21.97	0.157	21.75	0.150
		CP-OFDM 16QAM	1	1	21.65	0.146	22.18	0.165	22.03	0.160
		CP-OFDM 64QAM	1	1	17.27	0.053	17.37	0.055	17.21	0.053
CP-OFDM 256QAM	1	1	16.46	0.044	16.53	0.045	16.89	0.049		

NR Band 25										
BW (MHz)	SCS (kHz)	Modulation	RB Size	RB Offset	Conducted Output Power					
					371500 (1 857.5 MHz)		376500 (1 882.5 MHz)		381500 (1 907.5 MHz)	
					(dB m)	(W)	(dB m)	(W)	(dB m)	(W)
15	15	DFT-S-OFDM BPSK	1	1	22.52	0.179	23.01	0.200	22.95	0.197
			1	40	22.53	0.179	23.17	0.207	22.75	0.188
			1	77	22.64	0.184	<b>23.24</b>	<b>0.211</b>	22.63	0.183
			36	0	22.25	0.168	22.63	0.183	22.52	0.179
			36	22	22.73	0.187	23.21	0.209	22.86	0.193
			36	43	22.29	0.169	22.78	0.190	22.33	0.171
			75	0	22.21	0.166	22.64	0.184	22.43	0.175
		DFT-S-OFDM QPSK	1	1	22.66	0.185	22.87	0.194	22.90	0.195
			1	40	22.63	0.183	23.16	0.207	22.78	0.190
			1	77	22.81	0.191	23.15	0.207	22.54	0.179
			36	0	21.75	0.150	22.13	0.163	22.03	0.160
			36	22	22.74	0.188	23.18	0.208	22.88	0.194
			36	43	21.84	0.153	22.19	0.166	21.85	0.153
			75	0	21.84	0.153	22.20	0.166	21.99	0.158
		DFT-S-OFDM 16QAM	1	1	21.75	0.150	22.01	0.159	22.68	0.185
		DFT-S-OFDM 64QAM	1	1	18.81	0.076	19.29	0.085	19.18	0.083
		DFT-S-OFDM 256QAM	1	1	18.52	0.071	18.97	0.079	18.87	0.077
		CP-OFDM QPSK	1	1	21.34	0.136	21.57	0.144	21.65	0.146
		CP-OFDM 16QAM	1	1	21.72	0.149	22.14	0.164	22.11	0.163
		CP-OFDM 64QAM	1	1	17.42	0.055	17.63	0.058	17.81	0.060
		CP-OFDM 256QAM	1	1	16.52	0.045	16.64	0.046	16.88	0.049

NR Band 25											
BW (MHz)	SCS (kHz)	Modulation	RB Size	RB Offset	Conducted Output Power						
					372000 (1 860.0 MHz)		376500 (1 882.5 MHz)		381000 (1 905.0 MHz)		
					(dB m)	(W)	(dB m)	(W)	(dB m)	(W)	
20	15	DFT-S-OFDM BPSK	1	1	22.58	0.181	22.79	0.190	23.09	0.204	
			1	53	22.71	0.187	<b>23.19</b>	<b>0.208</b>	22.96	0.198	
			1	104	22.75	0.188	22.95	0.197	22.67	0.185	
			50	0	22.21	0.166	22.58	0.181	22.65	0.184	
			50	28	22.84	0.192	23.14	0.206	23.05	0.202	
			50	56	22.27	0.169	22.66	0.185	22.33	0.171	
			100	0	22.28	0.169	22.69	0.186	22.56	0.180	
		DFT-S-OFDM QPSK	1	1	22.52	0.179	22.79	0.190	23.07	0.203	
			1	53	22.65	0.184	23.12	0.205	22.84	0.192	
			1	104	22.66	0.185	23.03	0.201	22.57	0.181	
			50	0	21.73	0.149	22.14	0.164	22.17	0.165	
			50	28	22.82	0.191	23.15	0.207	23.03	0.201	
			50	56	21.85	0.153	22.19	0.166	21.88	0.154	
		DFT-S-OFDM 16QAM	1	1	22.22	0.167	22.56	0.180	22.92	0.196	
			DFT-S-OFDM 64QAM	1	1	18.68	0.074	19.14	0.082	19.45	0.088
			DFT-S-OFDM 256QAM	1	1	18.47	0.070	18.91	0.078	18.96	0.079
			CP-OFDM QPSK	1	1	21.19	0.132	21.57	0.144	21.91	0.155
			CP-OFDM 16QAM	1	1	21.70	0.148	22.17	0.165	22.37	0.173
			CP-OFDM 64QAM	1	1	17.14	0.052	17.68	0.059	17.95	0.062
			CP-OFDM 256QAM	1	1	16.32	0.043	16.57	0.045	16.99	0.050

NR Band 25										
BW (MHz)	SCS (kHz)	Modulation	RB Size	RB Offset	Conducted Output Power					
					376500 (1 882.5 MHz)					
							(dB m)		(W)	
25	15	DFT-S-OFDM BPSK	1	1	-	-	23.12	0.205	-	-
			1	67	-	-	23.26	0.212	-	-
			1	131	-	-	<b>23.49</b>	<b>0.223</b>	-	-
			64	0	-	-	22.81	0.191	-	-
			64	35	-	-	23.45	0.221	-	-
			64	69	-	-	23.07	0.203	-	-
		128	0	-	-	22.91	0.195	-	-	
		DFT-S-OFDM QPSK	1	1	-	-	23.15	0.207	-	-
			1	67	-	-	23.28	0.213	-	-
			1	131	-	-	23.44	0.221	-	-
			64	0	-	-	22.40	0.174	-	-
			64	35	-	-	23.43	0.220	-	-
			64	69	-	-	22.56	0.180	-	-
		128	0	-	-	22.45	0.176	-	-	
		DFT-S-OFDM 16QAM	1	1	-	-	22.78	0.190	-	-
		DFT-S-OFDM 64QAM	1	1	-	-	19.45	0.088	-	-
		DFT-S-OFDM 256QAM	1	1	-	-	19.17	0.083	-	-
		CP-OFDM QPSK	1	1	-	-	21.58	0.144	-	-
CP-OFDM 16QAM	1	1	-	-	22.34	0.171	-	-		
CP-OFDM 64QAM	1	1	-	-	18.02	0.063	-	-		
CP-OFDM 256QAM	1	1	-	-	16.88	0.049	-	-		

NR Band 25										
BW (MHz)	SCS (kHz)	Modulation	RB Size	RB Offset	Conducted Output Power					
					376500 (1 882.5 MHz)					
							(dB m)		(W)	
30	15	DFT-S-OFDM BPSK	1	1	-	-	23.09	0.204	-	-
			1	80	-	-	23.26	0.212	-	-
			1	158	-	-	23.47	0.222	-	-
			80	0	-	-	22.82	0.191	-	-
			80	40	-	-	23.44	0.221	-	-
			80	80	-	-	23.09	0.204	-	-
		160	0	-	-	23.02	0.200	-	-	
		DFT-S-OFDM QPSK	1	1	-	-	23.03	0.201	-	-
			1	80	-	-	23.31	0.214	-	-
			1	158	-	-	<b>23.49</b>	<b>0.223</b>	-	-
			80	0	-	-	22.31	0.170	-	-
			80	40	-	-	23.46	0.222	-	-
			80	80	-	-	22.61	0.182	-	-
		160	0	-	-	22.53	0.179	-	-	
		DFT-S-OFDM 16QAM	1	1	-	-	22.79	0.190	-	-
		DFT-S-OFDM 64QAM	1	1	-	-	19.33	0.086	-	-
		DFT-S-OFDM 256QAM	1	1	-	-	19.01	0.080	-	-
		CP-OFDM QPSK	1	1	-	-	21.79	0.151	-	-
CP-OFDM 16QAM	1	1	-	-	22.48	0.177	-	-		
CP-OFDM 64QAM	1	1	-	-	18.02	0.063	-	-		
CP-OFDM 256QAM	1	1	-	-	16.94	0.049	-	-		

NR Band 25										
BW (MHz)	SCS (kHz)	Modulation	RB Size	RB Offset	Conducted Output Power					
					376500 (1 882.5 MHz)					
							(dBm)		(W)	
40	15	DFT-S-OFDM BPSK	1	1	-	-	23.01	0.200	-	-
			1	108	-	-	23.23	0.210	-	-
			1	214	-	-	<b>23.51</b>	<b>0.224</b>	-	-
			108	0	-	-	22.83	0.192	-	-
			108	54	-	-	23.43	0.220	-	-
			108	108	-	-	23.08	0.203	-	-
		DFT-S-OFDM QPSK	216	0	-	-	22.96	0.198	-	-
			1	1	-	-	23.00	0.200	-	-
			1	108	-	-	23.24	0.211	-	-
			1	214	-	-	23.45	0.221	-	-
			108	0	-	-	22.32	0.171	-	-
			108	54	-	-	23.39	0.218	-	-
		DFT-S-OFDM 16QAM	108	108	-	-	22.56	0.180	-	-
			216	0	-	-	22.54	0.179	-	-
			1	1	-	-	22.73	0.187	-	-
			1	1	-	-	19.27	0.085	-	-
			1	1	-	-	18.96	0.079	-	-
			1	1	-	-	21.44	0.139	-	-
CP-OFDM QPSK	1	1	-	-	22.23	0.167	-	-		
	1	1	-	-	17.90	0.062	-	-		
	1	1	-	-	16.98	0.050	-	-		
	1	1	-	-			-	-		

NR Band 41 (FCC)										
BW (MHz)	SCS (kHz)	Modulation	RB Size	RB Offset	Conducted Output Power					
					501204 (2 506.02 MHz)		518598 (2 592.99 MHz)		535998 (2 679.99 MHz)	
					(dB m)	(W)	(dB m)	(W)	(dB m)	(W)
20	30	DFT-S-OFDM BPSK	1	1	21.75	0.150	21.82	0.152	21.12	0.129
			1	26	21.57	0.144	21.47	0.140	20.94	0.124
			1	49	21.66	0.147	21.42	0.139	20.96	0.125
			25	0	21.28	0.134	21.32	0.136	20.69	0.117
			25	13	21.81	0.152	21.71	0.148	21.15	0.130
			25	26	21.21	0.132	21.05	0.127	21.59	0.144
			50	0	21.27	0.134	21.26	0.134	20.66	0.116
		DFT-S-OFDM QPSK	1	1	21.62	0.145	21.68	0.147	21.03	0.127
			1	26	21.48	0.141	21.36	0.137	20.83	0.121
			1	49	21.44	0.139	21.41	0.138	20.86	0.122
			25	0	20.69	0.117	20.75	0.119	20.18	0.104
			25	13	21.70	0.148	<b>21.72</b>	<b>0.149</b>	21.08	0.128
			25	26	20.68	0.117	20.61	0.115	20.07	0.102
		50	0	20.76	0.119	20.79	0.120	20.19	0.104	
		DFT-S-OFDM 16QAM	1	1	20.40	0.110	20.71	0.118	19.93	0.098
		DFT-S-OFDM 64QAM	1	1	18.26	0.067	18.12	0.065	17.79	0.060
		DFT-S-OFDM 256QAM	1	1	17.41	0.055	17.33	0.054	16.95	0.050
		CP-OFDM QPSK	1	1	20.38	0.109	20.48	0.112	19.99	0.100
		CP-OFDM 16QAM	1	1	19.79	0.095	19.85	0.097	19.01	0.080
		CP-OFDM 64QAM	1	1	17.71	0.059	17.09	0.051	16.63	0.046
CP-OFDM 256QAM	1	1	15.88	0.039	15.34	0.034	14.99	0.032		

NR Band 41 (FCC)										
BW (MHz)	SCS (kHz)	Modulation	RB Size	RB Offset	Conducted Output Power					
					502200 (2 511.00 MHz)		518598 (2 592.99 MHz)		534996 (2 674.98 MHz)	
					(dBm)	(W)	(dBm)	(W)	(dBm)	(W)
30	30	DFT-S-OFDM BPSK	1	1	22.18	0.165	<b>22.34</b>	<b>0.171</b>	21.78	0.151
			1	39	21.93	0.156	21.87	0.154	21.55	0.143
			1	76	22.03	0.160	21.97	0.157	21.51	0.142
			36	0	21.61	0.145	21.65	0.146	21.23	0.133
			36	21	22.10	0.162	21.94	0.156	21.61	0.145
			36	42	21.62	0.145	21.51	0.142	21.11	0.129
			75	0	21.65	0.146	21.61	0.145	21.06	0.128
		DFT-S-OFDM QPSK	1	1	22.23	0.167	22.27	0.169	21.70	0.148
			1	39	21.99	0.158	21.81	0.152	21.47	0.140
			1	76	22.18	0.165	22.05	0.160	21.45	0.140
			36	0	21.13	0.130	21.16	0.131	20.72	0.118
			36	21	22.11	0.163	21.94	0.156	21.61	0.145
			36	42	21.14	0.130	21.02	0.126	20.54	0.113
			75	0	21.12	0.129	21.04	0.127	20.67	0.117
		DFT-S-OFDM 16QAM	1	1	20.93	0.124	21.04	0.127	20.63	0.116
		DFT-S-OFDM 64QAM	1	1	18.75	0.075	18.85	0.077	18.16	0.065
		DFT-S-OFDM 256QAM	1	1	17.92	0.062	17.92	0.062	17.39	0.055
		CP-OFDM QPSK	1	1	20.74	0.119	20.70	0.117	20.15	0.104
		CP-OFDM 16QAM	1	1	20.34	0.108	20.06	0.101	19.45	0.088
		CP-OFDM 64QAM	1	1	18.08	0.064	18.12	0.065	17.63	0.058
		CP-OFDM 256QAM	1	1	16.36	0.043	16.05	0.040	15.88	0.039



NR Band 41 (FCC)										
BW (MHz)	SCS (kHz)	Modulation	RB Size	RB Offset	Conducted Output Power					
					503202 (2 516.01 MHz)		518598 (2 592.99 MHz)		534000 (2 670.00 MHz)	
					(dB m)	(W)	(dB m)	(W)	(dB m)	(W)
40	30	DFT-S-OFDM BPSK	1	1	22.23	0.167	22.29	0.169	21.61	0.145
			1	53	21.94	0.156	21.85	0.153	21.27	0.134
			1	104	22.20	0.166	21.72	0.149	21.10	0.129
			50	0	21.55	0.143	21.74	0.149	21.16	0.131
			50	28	22.06	0.161	22.04	0.160	21.41	0.138
			50	56	21.59	0.144	21.54	0.143	20.95	0.124
			100	0	21.62	0.145	21.62	0.145	20.04	0.101
		DFT-S-OFDM QPSK	1	1	22.16	0.164	<b>22.31</b>	<b>0.170</b>	21.79	0.151
			1	53	21.92	0.156	21.76	0.150	21.11	0.129
			1	104	22.13	0.163	22.03	0.160	21.33	0.136
			50	0	21.09	0.129	22.09	0.162	21.42	0.139
			50	28	22.07	0.161	22.04	0.160	21.62	0.145
			50	56	21.16	0.131	20.97	0.125	20.39	0.109
			100	0	21.11	0.129	21.12	0.129	20.55	0.114
		DFT-S-OFDM 16QAM	1	1	20.89	0.123	21.11	0.129	20.52	0.113
		DFT-S-OFDM 64QAM	1	1	18.71	0.074	18.63	0.073	18.02	0.063
		DFT-S-OFDM 256QAM	1	1	17.83	0.061	17.59	0.057	17.31	0.054
		CP-OFDM QPSK	1	1	20.65	0.116	20.78	0.120	19.91	0.098
		CP-OFDM 16QAM	1	1	20.11	0.103	20.44	0.111	19.20	0.083
		CP-OFDM 64QAM	1	1	17.46	0.056	17.61	0.058	17.35	0.054
CP-OFDM 256QAM	1	1	15.61	0.036	15.75	0.038	15.46	0.035		

NR Band 41 (FCC)										
BW (MHz)	SCS (kHz)	Modulation	RB Size	RB Offset	Conducted Output Power					
					504204 (2 521.02 MHz)		518598 (2 592.99 MHz)		532998 (2 664.99 MHz)	
					(dB m)	(W)	(dB m)	(W)	(dB m)	(W)
50	30	DFT-S-OFDM BPSK	1	1	21.92	0.156	21.97	0.157	21.31	0.135
			1	67	21.62	0.145	21.52	0.142	20.97	0.125
			1	131	21.95	0.157	21.68	0.147	21.02	0.126
			64	0	21.29	0.135	21.41	0.138	20.70	0.117
			64	35	21.79	0.151	21.71	0.148	21.15	0.130
			64	69	21.48	0.141	21.11	0.129	20.51	0.112
			128	0	21.35	0.136	21.34	0.136	20.73	0.118
		DFT-S-OFDM QPSK	1	1	22.05	0.160	<b>22.11</b>	<b>0.163</b>	21.58	0.144
			1	67	21.90	0.155	21.68	0.147	21.06	0.128
			1	131	22.07	0.161	21.79	0.151	21.16	0.131
			64	0	20.76	0.119	20.88	0.122	20.22	0.105
			64	35	21.75	0.150	21.66	0.147	21.08	0.128
			64	69	20.82	0.121	20.61	0.115	20.05	0.101
			128	0	20.77	0.119	20.74	0.119	20.15	0.104
		DFT-S-OFDM 16QAM	1	1	20.34	0.108	20.67	0.117	20.04	0.101
		DFT-S-OFDM 64QAM	1	1	18.16	0.065	18.21	0.066	17.48	0.056
		DFT-S-OFDM 256QAM	1	1	17.25	0.053	17.37	0.055	16.69	0.047
		CP-OFDM QPSK	1	1	20.50	0.112	20.47	0.111	19.75	0.094
		CP-OFDM 16QAM	1	1	19.95	0.099	19.78	0.095	19.62	0.092
		CP-OFDM 64QAM	1	1	17.35	0.054	17.06	0.051	16.92	0.049
CP-OFDM 256QAM	1	1	15.18	0.033	15.00	0.032	14.89	0.031		

NR Band 41 (FCC)										
BW (MHz)	SCS (kHz)	Modulation	RB Size	RB Offset	Conducted Output Power					
					505200 (2 526.00 MHz)		518598 (2 592.99 MHz)		531996 (2 659.98 MHz)	
					(dB m)	(W)	(dB m)	(W)	(dB m)	(W)
60	30	DFT-S-OFDM BPSK	1	1	21.73	0.149	21.97	0.157	21.31	0.135
			1	81	21.66	0.147	21.57	0.144	20.96	0.125
			1	160	21.93	0.156	21.80	0.151	21.25	0.133
			81	0	21.27	0.134	21.31	0.135	20.73	0.118
			81	41	21.76	0.150	21.64	0.146	21.06	0.128
			81	81	21.40	0.138	21.17	0.131	20.52	0.113
			162	0	21.26	0.134	21.26	0.134	20.66	0.116
		DFT-S-OFDM QPSK	1	1	21.91	0.155	<b>22.15</b>	<b>0.164</b>	21.59	0.144
			1	81	21.81	0.152	21.70	0.148	21.14	0.130
			1	160	22.10	0.162	22.01	0.159	21.45	0.140
			81	0	20.74	0.119	20.81	0.121	20.22	0.105
			81	41	21.81	0.152	21.65	0.146	21.02	0.126
			81	81	20.90	0.123	20.67	0.117	20.65	0.116
			162	0	20.82	0.121	20.77	0.119	20.12	0.103
		DFT-S-OFDM 16QAM	1	1	20.55	0.114	20.47	0.111	19.86	0.097
		DFT-S-OFDM 64QAM	1	1	18.06	0.064	18.20	0.066	17.62	0.058
		DFT-S-OFDM 256QAM	1	1	17.17	0.052	17.37	0.055	16.87	0.049
		CP-OFDM QPSK	1	1	20.34	0.108	20.72	0.118	19.54	0.090
		CP-OFDM 16QAM	1	1	19.37	0.086	20.40	0.110	19.14	0.082
		CP-OFDM 64QAM	1	1	17.48	0.056	17.73	0.059	17.42	0.055
CP-OFDM 256QAM	1	1	15.55	0.036	15.69	0.037	15.31	0.034		

NR Band 41 (FCC)										
BW (MHz)	SCS (kHz)	Modulation	RB Size	RB Offset	Conducted Output Power					
					507204 (2 536.02 MHz)		518598 (2 592.99 MHz)		529998 (2 649.99 MHz)	
					(dB m)	(W)	(dB m)	(W)	(dB m)	(W)
80	30	DFT-S-OFDM BPSK	1	1	21.64	0.146	21.96	0.157	21.37	0.137
			1	109	21.72	0.149	21.48	0.141	20.98	0.125
			1	215	21.77	0.150	21.82	0.152	21.21	0.132
			108	0	21.26	0.134	21.35	0.136	20.63	0.116
			108	55	21.81	0.152	21.65	0.146	20.96	0.125
			108	109	21.34	0.136	21.18	0.131	20.53	0.113
			216	0	21.26	0.134	21.28	0.134	20.65	0.116
		DFT-S-OFDM QPSK	1	1	21.89	0.155	<b>22.14</b>	<b>0.164</b>	21.57	0.144
			1	109	21.90	0.155	21.72	0.149	21.21	0.132
			1	215	21.82	0.152	21.92	0.156	21.39	0.138
			108	0	20.68	0.117	20.84	0.121	20.24	0.106
			108	55	21.75	0.150	21.64	0.146	21.08	0.128
			108	109	20.90	0.123	20.67	0.117	20.00	0.100
			216	0	20.77	0.119	20.84	0.121	20.23	0.105
		DFT-S-OFDM 16QAM	1	1	20.69	0.117	20.69	0.117	20.07	0.102
		DFT-S-OFDM 64QAM	1	1	18.37	0.069	18.47	0.070	17.83	0.061
		DFT-S-OFDM 256QAM	1	1	17.56	0.057	17.79	0.060	17.03	0.050
		CP-OFDM QPSK	1	1	20.26	0.106	20.58	0.114	19.72	0.094
		CP-OFDM 16QAM	1	1	19.89	0.097	20.00	0.100	19.40	0.087
		CP-OFDM 64QAM	1	1	17.41	0.055	17.71	0.059	17.08	0.051
		CP-OFDM 256QAM	1	1	15.44	0.035	15.80	0.038	15.15	0.033

NR Band 41 (FCC)										
BW (MHz)	SCS (kHz)	Modulation	RB Size	RB Offset	Conducted Output Power					
					508200 (2 541.00 MHz)		518598 (2 592.99 MHz)		528996 (2 644.98 MHz)	
					(dB m)	(W)	(dB m)	(W)	(dB m)	(W)
90	30	DFT-S-OFDM BPSK	1	1	21.86	0.153	21.85	0.153	21.21	0.132
			1	123	21.98	0.158	21.42	0.139	20.86	0.122
			1	243	21.57	0.144	21.78	0.151	21.04	0.127
			120	0	21.39	0.138	20.84	0.121	20.26	0.106
			120	63	21.85	0.153	21.68	0.147	21.03	0.127
			120	125	21.27	0.134	21.07	0.128	20.47	0.111
			243	0	21.39	0.138	21.27	0.134	20.63	0.116
		DFT-S-OFDM QPSK	1	1	22.02	0.159	<b>22.21</b>	<b>0.166</b>	21.63	0.146
			1	123	21.96	0.157	21.61	0.145	21.15	0.130
			1	243	21.70	0.148	21.94	0.156	21.35	0.136
			120	0	20.78	0.120	20.79	0.120	20.21	0.105
			120	63	21.87	0.154	21.59	0.144	21.08	0.128
			120	125	20.78	0.120	20.57	0.114	19.97	0.099
			243	0	20.79	0.120	20.88	0.122	20.24	0.106
		DFT-S-OFDM 16QAM	1	1	20.27	0.106	20.53	0.113	19.93	0.098
		DFT-S-OFDM 64QAM	1	1	17.78	0.060	18.05	0.064	17.58	0.057
		DFT-S-OFDM 256QAM	1	1	17.01	0.050	17.22	0.053	16.85	0.048
		CP-OFDM QPSK	1	1	20.37	0.109	20.55	0.114	19.83	0.096
		CP-OFDM 16QAM	1	1	19.85	0.097	20.05	0.101	19.36	0.086
		CP-OFDM 64QAM	1	1	17.44	0.055	17.69	0.059	17.14	0.052
CP-OFDM 256QAM	1	1	15.52	0.036	15.41	0.035	15.25	0.033		

NR Band 41 (FCC)										
BW (MHz)	SCS (kHz)	Modulation	RB Size	RB Offset	Conducted Output Power					
					509202 (2 546.01 MHz)		518598 (2 592.99 MHz)		528000 (2 640.00 MHz)	
					(dB m)	(W)	(dB m)	(W)	(dB m)	(W)
100	30	DFT-S-OFDM BPSK	1	1	21.75	0.150	21.79	0.151	21.18	0.131
			1	137	21.77	0.150	21.25	0.133	20.67	0.117
			1	271	21.31	0.135	21.59	0.144	20.91	0.123
			135	0	21.24	0.133	21.31	0.135	20.71	0.118
			135	69	21.72	0.149	21.59	0.144	20.98	0.125
			135	138	21.21	0.132	21.10	0.129	20.56	0.114
			270	0	21.22	0.132	21.54	0.143	20.97	0.125
		DFT-S-OFDM QPSK	1	1	22.00	0.158	<b>22.09</b>	<b>0.162</b>	21.47	0.140
			1	137	21.94	0.156	21.52	0.142	20.96	0.125
			1	271	21.55	0.143	21.84	0.153	21.26	0.134
			135	0	20.79	0.120	20.89	0.123	20.28	0.107
			135	69	21.82	0.152	21.67	0.147	21.03	0.127
			135	138	20.75	0.119	20.63	0.116	20.02	0.100
			270	0	20.71	0.118	20.75	0.119	20.17	0.104
		DFT-S-OFDM 16QAM	1	1	20.40	0.110	20.44	0.111	19.81	0.096
		DFT-S-OFDM 64QAM	1	1	18.08	0.064	18.24	0.067	17.67	0.058
		DFT-S-OFDM 256QAM	1	1	17.22	0.053	17.41	0.055	16.95	0.050
		CP-OFDM QPSK	1	1	20.25	0.106	20.66	0.116	20.04	0.101
		CP-OFDM 16QAM	1	1	19.71	0.094	19.66	0.092	19.05	0.080
		CP-OFDM 64QAM	1	1	17.58	0.057	17.10	0.051	16.52	0.045
CP-OFDM 256QAM	1	1	15.59	0.036	15.12	0.033	14.50	0.028		

NR Band 41 (IC)										
BW (MHz)	SCS (kHz)	Modulation	RB Size	RB Offset	Conducted Output Power					
					502002 (2 510.01 MHz)		519000 (2 595.00 MHz)		535998 (2 679.99 MHz)	
					(dB m)	(W)	(dB m)	(W)	(dB m)	(W)
20	30	DFT-S-OFDM BPSK	1	1	<b>21.98</b>	<b>0.158</b>	21.97	0.157	21.12	0.129
			1	26	21.28	0.134	21.66	0.147	20.94	0.124
			1	49	21.04	0.127	21.24	0.133	20.96	0.125
			25	0	21.32	0.136	21.53	0.142	20.69	0.117
			25	13	21.52	0.142	21.83	0.152	21.15	0.130
			25	26	20.84	0.121	21.12	0.129	21.59	0.144
		DFT-S-OFDM QPSK	50	0	21.11	0.129	21.36	0.137	20.66	0.116
			1	1	21.88	0.154	21.94	0.156	21.03	0.127
			1	26	21.18	0.131	21.59	0.144	20.83	0.121
			1	49	20.99	0.126	21.19	0.132	20.86	0.122
			25	0	20.84	0.121	21.03	0.127	20.18	0.104
			25	13	21.52	0.142	21.88	0.154	21.08	0.128
		DFT-S-OFDM 16QAM	25	26	20.34	0.108	20.61	0.115	20.07	0.102
			50	0	20.61	0.115	20.89	0.123	20.19	0.104
			1	1	20.74	0.119	20.87	0.122	19.93	0.098
			1	1	17.38	0.055	18.42	0.070	17.79	0.060
			1	1	16.53	0.045	17.45	0.056	16.95	0.050
			1	1	20.71	0.118	20.51	0.112	19.99	0.100
			1	1	20.13	0.103	19.79	0.095	19.01	0.080
			1	1	17.89	0.062	17.58	0.057	16.63	0.046
CP-OFDM 256QAM	1	1	15.95	0.039	15.47	0.035	14.99	0.032		
	1	1	15.95	0.039	15.47	0.035	14.99	0.032		

NR Band 41 (IC)										
BW (MHz)	SCS (kHz)	Modulation	RB Size	RB Offset	Conducted Output Power					
					503004 (2 515.02 MHz)		519000 (2 595.00 MHz)		534996 (2 674.98 MHz)	
					(dB m)	(W)	(dB m)	(W)	(dB m)	(W)
30	30	DFT-S-OFDM BPSK	1	1	22.28	0.169	22.22	0.167	21.78	0.151
			1	39	21.38	0.137	22.02	0.159	21.55	0.143
			1	76	21.72	0.149	21.60	0.145	21.51	0.142
			36	0	21.41	0.138	21.88	0.154	21.23	0.133
			36	21	21.54	0.143	22.11	0.163	21.61	0.145
			36	42	21.03	0.127	21.41	0.138	21.11	0.129
			75	0	21.23	0.133	21.62	0.145	21.06	0.128
		DFT-S-OFDM QPSK	1	1	<b>22.29</b>	<b>0.169</b>	22.21	0.166	21.70	0.148
			1	39	21.38	0.137	22.01	0.159	21.47	0.140
			1	76	21.72	0.149	21.56	0.143	21.45	0.140
			36	0	20.95	0.124	21.36	0.137	20.72	0.118
			36	21	21.54	0.143	22.14	0.164	21.61	0.145
			36	42	20.55	0.114	20.86	0.122	20.54	0.113
			75	0	20.73	0.118	21.13	0.130	20.67	0.117
		DFT-S-OFDM 16QAM	1	1	20.96	0.125	21.12	0.129	20.63	0.116
		DFT-S-OFDM 64QAM	1	1	18.83	0.076	18.63	0.073	18.16	0.065
		DFT-S-OFDM 256QAM	1	1	18.04	0.064	17.83	0.061	17.39	0.055
		CP-OFDM QPSK	1	1	20.81	0.121	20.75	0.119	20.15	0.104
		CP-OFDM 16QAM	1	1	20.01	0.100	20.11	0.103	19.45	0.088
		CP-OFDM 64QAM	1	1	18.12	0.065	17.77	0.060	17.63	0.058
		CP-OFDM 256QAM	1	1	16.36	0.043	15.90	0.039	15.88	0.039



NR Band 41 (IC)										
BW (MHz)	SCS (kHz)	Modulation	RB Size	RB Offset	Conducted Output Power					
					504000 (2 520.00 MHz)		519000 (2 595.00 MHz)		534000 (2 670.00 MHz)	
					(dB m)	(W)	(dB m)	(W)	(dB m)	(W)
40	30	DFT-S-OFDM BPSK	1	1	<b>22.38</b>	<b>0.173</b>	22.01	0.159	21.61	0.145
			1	53	21.33	0.136	21.93	0.156	21.27	0.134
			1	104	22.37	0.173	21.57	0.144	21.10	0.129
			50	0	21.40	0.138	21.82	0.152	21.16	0.131
			50	28	21.64	0.146	22.09	0.162	21.41	0.138
			50	56	21.41	0.138	21.28	0.134	20.95	0.124
			100	0	21.38	0.137	21.56	0.143	20.04	0.101
		DFT-S-OFDM QPSK	1	1	22.32	0.171	22.04	0.160	21.79	0.151
			1	53	21.33	0.136	21.97	0.157	21.11	0.129
			1	104	22.26	0.168	21.61	0.145	21.33	0.136
			50	0	20.87	0.122	21.34	0.136	21.42	0.139
			50	28	21.57	0.144	22.11	0.163	21.62	0.145
			50	56	20.93	0.124	20.81	0.121	20.39	0.109
			100	0	20.85	0.122	21.12	0.129	20.55	0.114
		DFT-S-OFDM 16QAM	1	1	20.95	0.124	20.84	0.121	20.52	0.113
		DFT-S-OFDM 64QAM	1	1	18.67	0.074	18.62	0.073	18.02	0.063
		DFT-S-OFDM 256QAM	1	1	17.96	0.063	17.65	0.058	17.31	0.054
		CP-OFDM QPSK	1	1	20.91	0.123	20.80	0.120	19.91	0.098
		CP-OFDM 16QAM	1	1	20.41	0.110	20.29	0.107	19.20	0.083
		CP-OFDM 64QAM	1	1	17.97	0.063	17.63	0.058	17.35	0.054
CP-OFDM 256QAM	1	1	16.03	0.040	15.72	0.037	15.46	0.035		

NR Band 41 (IC)										
BW (MHz)	SCS (kHz)	Modulation	RB Size	RB Offset	Conducted Output Power					
					505002 (2 525.01 MHz)		519000 (2 595.00 MHz)		532998 (2 664.99 MHz)	
					(dB m)	(W)	(dB m)	(W)	(dB m)	(W)
50	30	DFT-S-OFDM BPSK	1	1	21.92	0.156	21.51	0.142	21.31	0.135
			1	67	21.06	0.128	21.67	0.147	20.97	0.125
			1	131	22.00	0.158	21.21	0.132	21.02	0.126
			64	0	20.91	0.123	21.45	0.140	20.70	0.117
			64	35	21.33	0.136	21.73	0.149	21.15	0.130
			64	69	21.34	0.136	20.93	0.124	20.51	0.112
			128	0	21.10	0.129	19.21	0.083	20.73	0.118
		DFT-S-OFDM QPSK	1	1	22.01	0.159	21.77	0.150	21.58	0.144
			1	67	21.15	0.130	21.88	0.154	21.06	0.128
			1	131	<b>22.27</b>	<b>0.169</b>	21.54	0.143	21.16	0.131
			64	0	20.39	0.109	20.93	0.124	20.22	0.105
			64	35	21.28	0.134	21.71	0.148	21.08	0.128
			64	69	20.84	0.121	20.43	0.110	20.05	0.101
			128	0	20.61	0.115	20.69	0.117	20.15	0.104
		DFT-S-OFDM 16QAM	1	1	20.34	0.108	20.36	0.109	20.04	0.101
		DFT-S-OFDM 64QAM	1	1	20.81	0.121	17.80	0.060	17.48	0.056
		DFT-S-OFDM 256QAM	1	1	17.10	0.051	17.02	0.050	16.69	0.047
		CP-OFDM QPSK	1	1	20.59	0.115	20.23	0.105	19.75	0.094
CP-OFDM 16QAM	1	1	20.09	0.102	19.68	0.093	19.62	0.092		
CP-OFDM 64QAM	1	1	17.86	0.061	17.51	0.056	16.92	0.049		
CP-OFDM 256QAM	1	1	15.96	0.039	15.49	0.035	14.89	0.031		

NR Band 41 (IC)										
BW (MHz)	SCS (kHz)	Modulation	RB Size	RB Offset	Conducted Output Power					
					506004 (2 530.02 MHz)		519000 (2 595.00 MHz)		531996 (2 659.98 MHz)	
					(dB m)	(W)	(dB m)	(W)	(dB m)	(W)
60	30	DFT-S-OFDM BPSK	1	1	21.87	0.154	21.48	0.141	21.31	0.135
			1	81	21.43	0.139	21.71	0.148	20.96	0.125
			1	160	21.69	0.148	21.43	0.139	21.25	0.133
			81	0	20.96	0.125	21.37	0.137	20.73	0.118
			81	41	21.58	0.144	21.74	0.149	21.06	0.128
			81	81	21.54	0.143	20.91	0.123	20.52	0.113
			162	0	21.34	0.136	21.08	0.128	20.66	0.116
		DFT-S-OFDM QPSK	1	1	<b>22.02</b>	<b>0.159</b>	21.65	0.146	21.59	0.144
			1	81	21.49	0.141	21.86	0.153	21.14	0.130
			1	160	21.72	0.149	21.55	0.143	21.45	0.140
			81	0	20.46	0.111	20.78	0.120	20.22	0.105
			81	41	21.68	0.147	21.68	0.147	21.02	0.126
			81	81	21.05	0.127	20.42	0.110	20.65	0.116
			162	0	20.83	0.121	20.61	0.115	20.12	0.103
		DFT-S-OFDM 16QAM	1	1	20.32	0.108	19.94	0.099	19.86	0.097
		DFT-S-OFDM 64QAM	1	1	18.02	0.063	17.64	0.058	17.62	0.058
		DFT-S-OFDM 256QAM	1	1	17.23	0.053	16.99	0.050	16.87	0.049
		CP-OFDM QPSK	1	1	20.63	0.116	19.94	0.099	19.54	0.090
		CP-OFDM 16QAM	1	1	20.02	0.100	19.23	0.084	19.14	0.082
		CP-OFDM 64QAM	1	1	17.82	0.061	16.73	0.047	17.42	0.055
CP-OFDM 256QAM	1	1	15.60	0.036	14.98	0.031	15.31	0.034		

NR Band 41 (IC)										
BW (MHz)	SCS (kHz)	Modulation	RB Size	RB Offset	Conducted Output Power					
					508002 (2 540.01 MHz)		519000 (2 595.00 MHz)		529998 (2 649.99 MHz)	
					(dB m)	(W)	(dB m)	(W)	(dB m)	(W)
80	30	DFT-S-OFDM BPSK	1	1	22.06	0.161	21.84	0.153	21.37	0.137
			1	109	22.07	0.161	21.65	0.146	20.98	0.125
			1	215	21.71	0.148	21.88	0.154	21.21	0.132
			108	0	21.07	0.128	21.31	0.135	20.63	0.116
			108	55	21.81	0.152	21.76	0.150	20.96	0.125
			108	109	21.41	0.138	20.98	0.125	20.53	0.113
			216	0	21.25	0.133	21.13	0.130	20.65	0.116
		DFT-S-OFDM QPSK	1	1	22.14	0.164	21.98	0.158	21.57	0.144
			1	109	<b>22.20</b>	<b>0.166</b>	21.86	0.153	21.21	0.132
			1	215	21.91	0.155	22.09	0.162	21.39	0.138
			108	0	20.59	0.115	20.79	0.120	20.24	0.106
			108	55	21.91	0.155	21.66	0.147	21.08	0.128
			108	109	20.93	0.124	20.53	0.113	20.00	0.100
			216	0	20.79	0.120	20.70	0.117	20.23	0.105
		DFT-S-OFDM 16QAM	1	1	20.85	0.122	20.52	0.113	20.07	0.102
		DFT-S-OFDM 64QAM	1	1	18.51	0.071	18.27	0.067	17.83	0.061
		DFT-S-OFDM 256QAM	1	1	17.63	0.058	17.38	0.055	17.03	0.050
		CP-OFDM QPSK	1	1	20.70	0.117	20.32	0.108	19.72	0.094
		CP-OFDM 16QAM	1	1	20.05	0.101	19.76	0.095	19.40	0.087
		CP-OFDM 64QAM	1	1	18.18	0.066	17.68	0.059	17.08	0.051
		CP-OFDM 256QAM	1	1	16.26	0.042	15.90	0.039	15.15	0.033

NR Band 41 (IC)										
BW (MHz)	SCS (kHz)	Modulation	RB Size	RB Offset	Conducted Output Power					
					509004 (2 545.02 MHz)		519000 (2 595.00 MHz)		528996 (2 644.98 MHz)	
					(dB m)	(W)	(dB m)	(W)	(dB m)	(W)
90	30	DFT-S-OFDM BPSK	1	1	22.07	0.161	22.11	0.163	21.21	0.132
			1	123	22.08	0.161	21.65	0.146	20.86	0.122
			1	243	22.05	0.160	21.41	0.138	21.04	0.127
			120	0	21.06	0.128	21.24	0.133	20.26	0.106
			120	63	21.73	0.149	21.59	0.144	21.03	0.127
			120	125	21.34	0.136	20.61	0.115	20.47	0.111
			243	0	21.27	0.134	21.18	0.131	20.63	0.116
		DFT-S-OFDM QPSK	1	1	22.05	0.160	<b>22.27</b>	<b>0.169</b>	21.63	0.146
			1	123	22.19	0.166	21.82	0.152	21.15	0.130
			1	243	22.23	0.167	22.08	0.161	21.35	0.136
			120	0	20.61	0.115	20.71	0.118	20.21	0.105
			120	63	21.72	0.149	21.64	0.146	21.08	0.128
			120	125	20.93	0.124	20.49	0.112	19.97	0.099
			243	0	20.79	0.120	20.73	0.118	20.24	0.106
		DFT-S-OFDM 16QAM	1	1	20.36	0.109	20.81	0.121	19.93	0.098
		DFT-S-OFDM 64QAM	1	1	18.41	0.069	18.26	0.067	17.58	0.057
		DFT-S-OFDM 256QAM	1	1	17.63	0.058	17.49	0.056	16.85	0.048
		CP-OFDM QPSK	1	1	20.59	0.115	20.98	0.125	19.83	0.096
		CP-OFDM 16QAM	1	1	19.85	0.097	19.88	0.097	19.36	0.086
		CP-OFDM 64QAM	1	1	17.91	0.062	17.50	0.056	17.14	0.052
CP-OFDM 256QAM	1	1	16.09	0.041	15.54	0.036	15.25	0.033		

NR Band 41 (IC)										
BW (MHz)	SCS (kHz)	Modulation	RB Size	RB Offset	Conducted Output Power					
					510000 (2 550.00 MHz)		519000 (2 595.00 MHz)		528000 (2 640.00 MHz)	
					(dB m)	(W)	(dB m)	(W)	(dB m)	(W)
100	30	DFT-S-OFDM BPSK	1	1	22.04	0.160	21.21	0.132	21.18	0.131
			1	137	22.00	0.158	21.37	0.137	20.67	0.117
			1	271	21.56	0.143	20.50	0.112	20.91	0.123
			135	0	21.25	0.133	21.33	0.136	20.71	0.118
			135	69	21.86	0.153	21.07	0.128	20.98	0.125
			135	138	21.25	0.133	19.92	0.098	20.56	0.114
			270	0	21.29	0.135	21.18	0.131	20.97	0.125
		DFT-S-OFDM QPSK	1	1	22.11	0.163	<b>22.15</b>	<b>0.164</b>	21.47	0.140
			1	137	22.14	0.164	21.66	0.147	20.96	0.125
			1	271	21.75	0.150	21.78	0.151	21.26	0.134
			135	0	20.67	0.117	20.81	0.121	20.28	0.107
			135	69	21.83	0.152	21.61	0.145	21.03	0.127
			135	138	20.85	0.122	20.54	0.113	20.02	0.100
			270	0	20.81	0.121	20.69	0.117	20.17	0.104
		DFT-S-OFDM 16QAM	1	1	20.55	0.114	20.87	0.122	19.81	0.096
		DFT-S-OFDM 64QAM	1	1	18.43	0.070	18.58	0.072	17.67	0.058
		DFT-S-OFDM 256QAM	1	1	17.63	0.058	17.72	0.059	16.95	0.050
		CP-OFDM QPSK	1	1	20.74	0.119	21.01	0.126	20.04	0.101
		CP-OFDM 16QAM	1	1	20.09	0.102	20.52	0.113	19.05	0.080
		CP-OFDM 64QAM	1	1	17.71	0.059	17.94	0.062	16.52	0.045
		CP-OFDM 256QAM	1	1	15.72	0.037	15.85	0.038	14.50	0.028

NR Band 66										
BW (MHz)	SCS (kHz)	Modulation	RB Size	RB Offset	Conducted Output Power					
					342500 (1 712.5 MHz)		349000 (1 745.0 MHz)		355500 (1 777.5 MHz)	
					(dB m)	(W)	(dB m)	(W)	(dB m)	(W)
5	15	DFT-S-OFDM BPSK	1	1	21.88	0.154	21.86	0.153	21.82	0.152
			1	13	21.98	0.158	21.91	0.155	21.92	0.156
			1	23	<b>22.11</b>	<b>0.163</b>	21.89	0.155	21.85	0.153
			12	0	21.57	0.144	21.63	0.146	21.57	0.144
			12	7	22.06	0.161	22.08	0.161	22.09	0.162
			12	13	21.61	0.145	21.59	0.144	21.61	0.145
			25	0	21.59	0.144	21.62	0.145	21.64	0.146
		DFT-S-OFDM QPSK	1	1	21.92	0.156	21.91	0.155	21.99	0.158
			1	13	21.94	0.156	21.93	0.156	22.02	0.159
			1	23	21.89	0.155	21.85	0.153	21.99	0.158
			12	0	21.17	0.131	21.16	0.131	21.20	0.132
			12	7	22.07	0.161	22.05	0.160	22.09	0.162
			12	13	21.15	0.130	21.09	0.129	21.16	0.131
			25	0	21.12	0.129	21.12	0.129	21.15	0.130
		DFT-S-OFDM 16QAM	1	1	21.78	0.151	21.68	0.147	21.21	0.132
		DFT-S-OFDM 64QAM	1	1	18.61	0.073	18.59	0.072	18.60	0.072
		DFT-S-OFDM 256QAM	1	1	18.13	0.065	18.05	0.064	18.11	0.065
		CP-OFDM QPSK	1	1	21.15	0.130	21.06	0.128	21.08	0.128
		CP-OFDM 16QAM	1	1	21.38	0.137	21.37	0.137	21.44	0.139
		CP-OFDM 64QAM	1	1	16.64	0.046	16.47	0.044	16.62	0.046
CP-OFDM 256QAM	1	1	15.57	0.036	15.63	0.037	15.71	0.037		

NR Band 66										
BW (MHz)	SCS (kHz)	Modulation	RB Size	RB Offset	Conducted Output Power					
					343000 (1 715.0 MHz)		349000 (1 745.0 MHz)		355000 (1 775.0 MHz)	
					(dBm)	(W)	(dBm)	(W)	(dBm)	(W)
10	15	DFT-S-OFDM BPSK	1	1	21.98	0.158	21.79	0.151	22.01	0.159
			1	26	<b>22.15</b>	<b>0.164</b>	21.87	0.154	22.10	0.162
			1	50	21.97	0.157	21.77	0.150	21.94	0.156
			25	0	21.68	0.147	21.57	0.144	21.63	0.146
			25	14	22.13	0.163	22.08	0.161	22.11	0.163
			25	27	21.61	0.145	21.57	0.144	21.65	0.146
			50	0	21.61	0.145	21.53	0.142	21.55	0.143
		DFT-S-OFDM QPSK	1	1	22.12	0.163	21.93	0.156	22.03	0.160
			1	26	21.98	0.158	21.91	0.155	22.04	0.160
			1	50	21.93	0.156	21.86	0.153	21.93	0.156
			25	0	21.22	0.132	21.12	0.129	21.13	0.130
			25	14	22.09	0.162	22.02	0.159	22.08	0.161
			25	27	21.16	0.131	21.05	0.127	21.11	0.129
			50	0	21.20	0.132	21.10	0.129	21.13	0.130
		DFT-S-OFDM 16QAM	1	1	21.94	0.156	21.58	0.144	21.29	0.135
		DFT-S-OFDM 64QAM	1	1	18.68	0.074	18.45	0.070	18.52	0.071
		DFT-S-OFDM 256QAM	1	1	18.23	0.067	17.97	0.063	18.05	0.064
		CP-OFDM QPSK	1	1	21.14	0.130	20.96	0.125	21.11	0.129
		CP-OFDM 16QAM	1	1	21.36	0.137	21.28	0.134	21.16	0.131
		CP-OFDM 64QAM	1	1	16.61	0.046	16.50	0.045	16.46	0.044
CP-OFDM 256QAM	1	1	15.53	0.036	15.49	0.035	15.58	0.036		



NR Band 66										
BW (MHz)	SCS (kHz)	Modulation	RB Size	RB Offset	Conducted Output Power					
					343500 (1 717.5 MHz)		349000 (1 745.0 MHz)		354500 (1 772.5 MHz)	
					(dB m)	(W)	(dB m)	(W)	(dB m)	(W)
15	15	DFT-S-OFDM BPSK	1	1	21.88	0.154	<b>22.17</b>	<b>0.165</b>	21.84	0.153
			1	40	21.78	0.151	22.07	0.161	21.84	0.153
			1	77	21.94	0.156	22.09	0.162	21.91	0.155
			36	0	21.56	0.143	21.68	0.147	21.52	0.142
			36	22	21.95	0.157	22.09	0.162	22.03	0.160
			36	43	21.44	0.139	21.69	0.148	21.54	0.143
			75	0	21.57	0.144	21.67	0.147	21.55	0.143
		DFT-S-OFDM QPSK	1	1	22.01	0.159	21.93	0.156	21.85	0.153
			1	40	21.89	0.155	21.97	0.157	21.81	0.152
			1	77	21.95	0.157	22.00	0.158	21.91	0.155
			36	0	21.17	0.131	21.27	0.134	21.12	0.129
			36	22	21.99	0.158	22.15	0.164	22.04	0.160
			36	43	21.16	0.131	21.18	0.131	21.15	0.130
		DFT-S-OFDM 16QAM	75	0	21.24	0.133	21.25	0.133	21.18	0.131
			1	1	21.74	0.149	21.93	0.156	21.64	0.146
			1	1	18.36	0.069	18.46	0.070	18.25	0.067
			1	1	17.55	0.057	17.89	0.062	17.86	0.061
			1	1	20.81	0.121	20.82	0.121	20.47	0.111
			1	1	21.33	0.136	21.39	0.138	21.21	0.132
			1	1	16.75	0.047	16.82	0.048	16.74	0.047
CP-OFDM 256QAM	1	1	15.69	0.037	15.75	0.038	15.83	0.038		
	1	1	15.69	0.037	15.75	0.038	15.83	0.038		

NR Band 66										
BW (MHz)	SCS (kHz)	Modulation	RB Size	RB Offset	Conducted Output Power					
					344000 (1 720.0 MHz)		349000 (1 745.0 MHz)		354000 (1 770.0 MHz)	
					(dBm)	(W)	(dBm)	(W)	(dBm)	(W)
20	15	DFT-S-OFDM BPSK	1	1	22.06	0.161	21.86	0.153	21.87	0.154
			1	53	21.87	0.154	21.83	0.152	21.83	0.152
			1	104	22.02	0.159	22.02	0.159	21.86	0.153
			50	0	21.53	0.142	21.56	0.143	21.53	0.142
			50	28	21.95	0.157	22.15	0.164	22.06	0.161
			50	56	21.52	0.142	21.52	0.142	21.56	0.143
			100	0	21.47	0.140	21.62	0.145	21.56	0.143
		DFT-S-OFDM QPSK	1	1	22.00	0.158	<b>22.53</b>	<b>0.179</b>	21.91	0.155
			1	53	21.83	0.152	22.47	0.177	21.84	0.153
			1	104	21.95	0.157	22.52	0.179	21.95	0.157
			50	0	21.13	0.130	21.12	0.129	21.12	0.129
			50	28	21.96	0.157	22.13	0.163	22.08	0.161
			50	56	21.12	0.129	21.12	0.129	21.14	0.130
			100	0	21.09	0.129	21.25	0.133	21.16	0.131
		DFT-S-OFDM 16QAM	1	1	21.38	0.137	21.73	0.149	21.69	0.148
		DFT-S-OFDM 64QAM	1	1	18.32	0.068	18.34	0.068	18.33	0.068
		DFT-S-OFDM 256QAM	1	1	17.72	0.059	17.92	0.062	17.90	0.062
		CP-OFDM QPSK	1	1	20.81	0.121	20.77	0.119	20.76	0.119
		CP-OFDM 16QAM	1	1	21.35	0.136	21.45	0.140	21.17	0.131
		CP-OFDM 64QAM	1	1	16.81	0.048	16.70	0.047	16.69	0.047
CP-OFDM 256QAM	1	1	15.35	0.034	16.46	0.044	15.59	0.036		

NR Band 66										
BW (MHz)	SCS (kHz)	Modulation	RB Size	RB Offset	Conducted Output Power					
					349000 (1 745.0 MHz)					
							(dB m)	(W)		
40	15	DFT-S-OFDM BPSK	1	1	-	-	<b>22.73</b>	<b>0.187</b>	-	-
			1	108	-	-	22.18	0.165	-	-
			1	214	-	-	22.18	0.165	-	-
			108	0	-	-	22.28	0.169	-	-
			108	54	-	-	22.48	0.177	-	-
			108	108	-	-	21.94	0.156	-	-
			216	0	-	-	22.07	0.161	-	-
		DFT-S-OFDM QPSK	1	1	-	-	22.59	0.182	-	-
			1	108	-	-	22.22	0.167	-	-
			1	214	-	-	22.26	0.168	-	-
			108	0	-	-	21.82	0.152	-	-
			108	54	-	-	22.54	0.179	-	-
			108	108	-	-	21.59	0.144	-	-
			216	0	-	-	21.65	0.146	-	-
		DFT-S-OFDM 16QAM	1	1	-	-	22.42	0.175	-	-
		DFT-S-OFDM 64QAM	1	1	-	-	19.02	0.080	-	-
		DFT-S-OFDM 256QAM	1	1	-	-	18.57	0.072	-	-
		CP-OFDM QPSK	1	1	-	-	20.64	0.116	-	-
		CP-OFDM 16QAM	1	1	-	-	21.55	0.143	-	-
		CP-OFDM 64QAM	1	1	-	-	17.10	0.051	-	-
CP-OFDM 256QAM	1	1	-	-	16.02	0.040	-	-		

NR Band 71											
BW (MHz)	SCS (kHz)	Modulation	RB Size	RB Offset	Conducted Output Power						
					133100 (665.5 MHz)		136100 (680.5 MHz)		139100 (695.5 MHz)		
					(dB m)	(W)	(dB m)	(W)	(dB m)	(W)	
5	15	DFT-S-OFDM BPSK	1	1	22.10	0.162	22.20	0.166	22.17	0.165	
			1	13	22.22	0.167	22.26	0.168	22.33	0.171	
			1	23	22.09	0.162	22.15	0.164	22.24	0.167	
			12	0	21.82	0.152	21.79	0.151	21.68	0.147	
			12	7	22.28	0.169	22.23	0.167	22.25	0.168	
			12	13	21.74	0.149	21.62	0.145	21.64	0.146	
			25	0	21.83	0.152	21.75	0.150	21.73	0.149	
		DFT-S-OFDM QPSK	1	1	22.40	0.174	22.04	0.160	22.05	0.160	
			1	13	22.45	0.176	22.05	0.160	22.10	0.162	
			1	23	<b>22.49</b>	<b>0.177</b>	21.97	0.157	22.03	0.160	
			12	0	21.34	0.136	21.29	0.135	21.23	0.133	
			12	7	22.24	0.167	22.19	0.166	22.21	0.166	
			12	13	21.19	0.132	21.13	0.130	21.18	0.131	
		DFT-S-OFDM 16QAM	1	1	21.53	0.142	21.57	0.144	21.04	0.127	
			DFT-S-OFDM 64QAM	1	1	19.47	0.089	19.65	0.092	19.44	0.088
				1	1	18.96	0.079	19.13	0.082	18.97	0.079
				1	1	20.64	0.116	20.73	0.118	20.66	0.116
				1	1	20.35	0.108	21.26	0.134	19.80	0.095
				1	1	18.37	0.069	18.26	0.067	18.18	0.066
				1	1	17.40	0.055	17.25	0.053	17.22	0.053
1	1			17.40	0.055	17.25	0.053	17.22	0.053		
1	1			17.40	0.055	17.25	0.053	17.22	0.053		
1	1	17.40	0.055	17.25	0.053	17.22	0.053				

NR Band 71										
BW (MHz)	SCS (kHz)	Modulation	RB Size	RB Offset	Conducted Output Power					
					133600 (668.0 MHz)		136100 (680.5 MHz)		138600 (693.0 MHz)	
					(dB m)	(W)	(dB m)	(W)	(dB m)	(W)
10	15	DFT-S-OFDM BPSK	1	1	22.03	0.160	22.15	0.164	22.10	0.162
			1	26	22.16	0.164	22.20	0.166	22.08	0.161
			1	50	<b>22.31</b>	<b>0.170</b>	22.19	0.166	22.17	0.165
			25	0	21.81	0.152	21.81	0.152	21.60	0.145
			25	14	22.29	0.169	22.28	0.169	22.07	0.161
			25	27	21.85	0.153	21.82	0.152	21.61	0.145
			50	0	21.80	0.151	21.74	0.149	21.52	0.142
		DFT-S-OFDM QPSK	1	1	21.88	0.154	22.09	0.162	21.92	0.156
			1	26	21.98	0.158	22.05	0.160	21.90	0.155
			1	50	22.04	0.160	22.04	0.160	21.95	0.157
			25	0	21.45	0.140	21.30	0.135	21.12	0.129
			25	14	22.28	0.169	22.24	0.167	22.13	0.163
			25	27	21.35	0.136	21.25	0.133	21.11	0.129
			50	0	21.31	0.135	21.22	0.132	21.04	0.127
		DFT-S-OFDM 16QAM	1	1	20.51	0.112	21.48	0.141	21.22	0.132
		DFT-S-OFDM 64QAM	1	1	19.48	0.089	19.42	0.087	19.39	0.087
		DFT-S-OFDM 256QAM	1	1	18.90	0.078	18.93	0.078	18.87	0.077
		CP-OFDM QPSK	1	1	20.59	0.115	20.62	0.115	20.44	0.111
		CP-OFDM 16QAM	1	1	20.38	0.109	20.52	0.113	20.13	0.103
		CP-OFDM 64QAM	1	1	18.37	0.069	18.26	0.067	18.08	0.064
		CP-OFDM 256QAM	1	1	17.29	0.054	17.30	0.054	17.11	0.051