

TECHNICAL JUSTIFICATION

05 March 2021

We, LG Electronics Inc., as a manufacturer of following product, hereby declare the product has hardware changes.

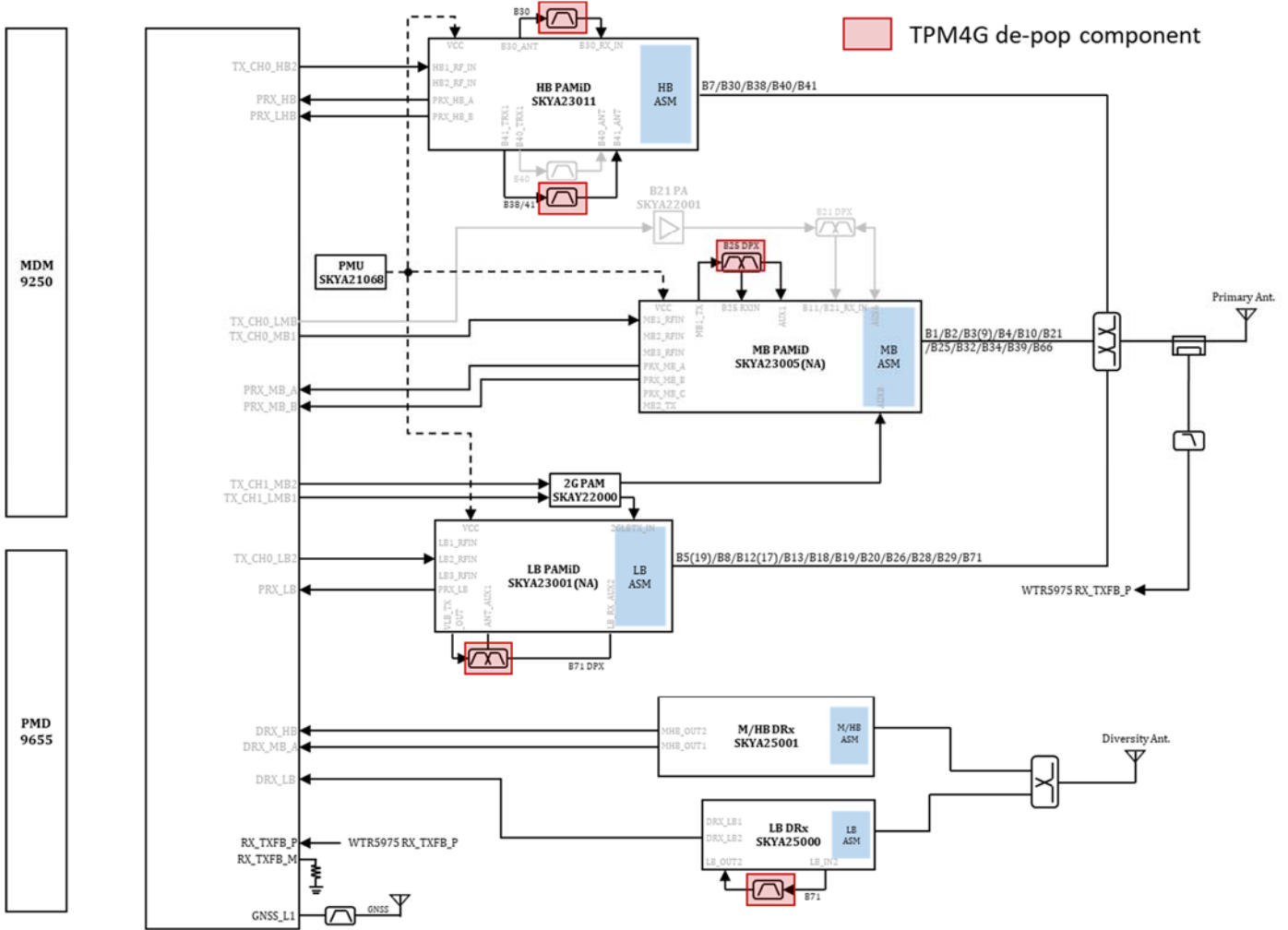
	Basic	New
FCC ID	BEJ-TM04ANNABM0	BEJTM04ANNABM1
ISED ID	2703H-TM04ANNABM0	2703H-TM04ANNABM1

Band differences between TM04ANNABM0 and TM04ANNABM1

GSM/UMTS/ Band	Frequency		FDD/TDD	Band	TM04ANNABM0	TM04ANNABM1
	Tx	Rx				
B2	1850~1910	1930~1990	FDD	Mid	G, W, L	G, W, L
B4	1710~1755	2110~2155	FDD	Mid	W, L	W, L
B5	824~849	869~894	FDD	Low	G, W, L	G, W, L
B7	2500~2570	2620~2690	FDD	High	L	L
B12(B17)	699~716	729~746	FDD	Low	L	L
B13	777~787	746~756	FDD	Low	L	
B25	1850~1915	1930~1995	FDD	Mid	L	
B26	814~849	859~894	FDD	Low	L	
B29	-	717~728	FDD	Low	L(RX only)	
B30	(2305~2315)	2350~2360	FDD	High	L(RX only)	
B41	2496~2690		TDD	High	L	
B66	1710~1780	2110~2200	FDD	Mid	L	L
B71	663~698	617~652	FDD	Low	L	

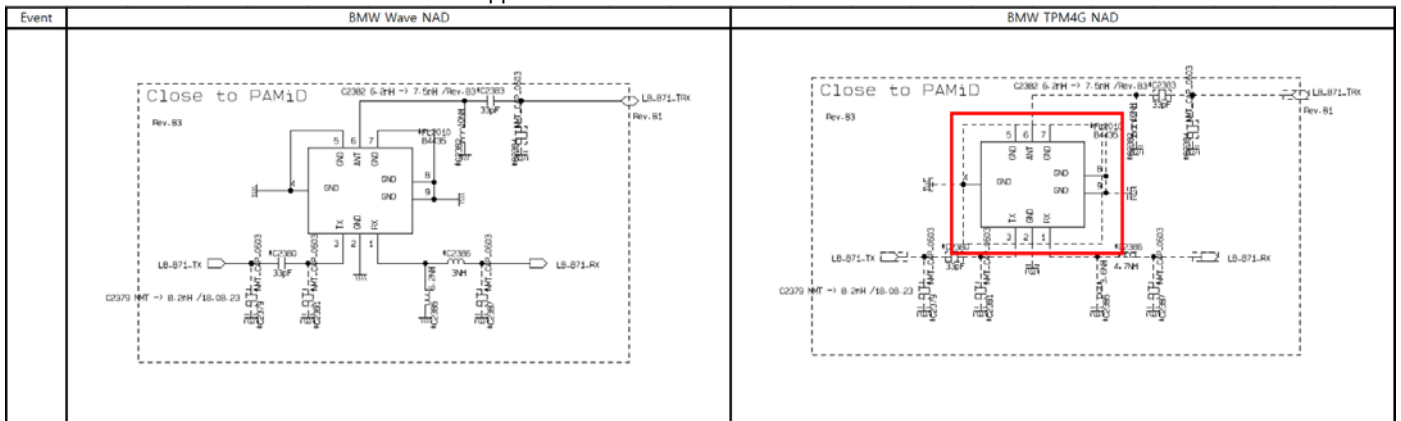
- G(GSM), W(WCDMA), T(TD-SCDMA), L(LTE)

Block diagram differences between TM04ANNABM0 and TM04ANNABM1

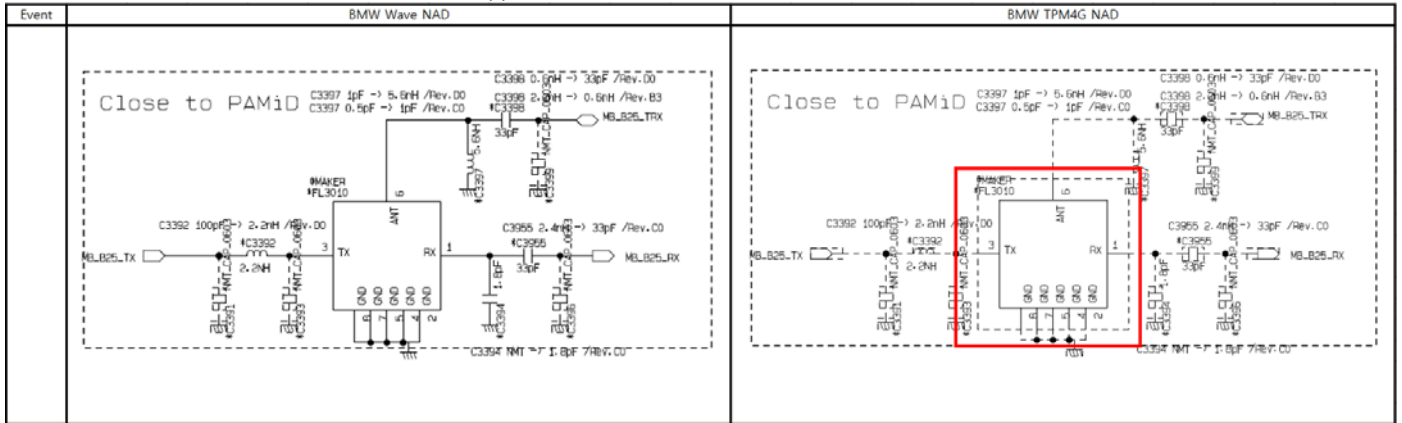


Below are detail information for above block diagram

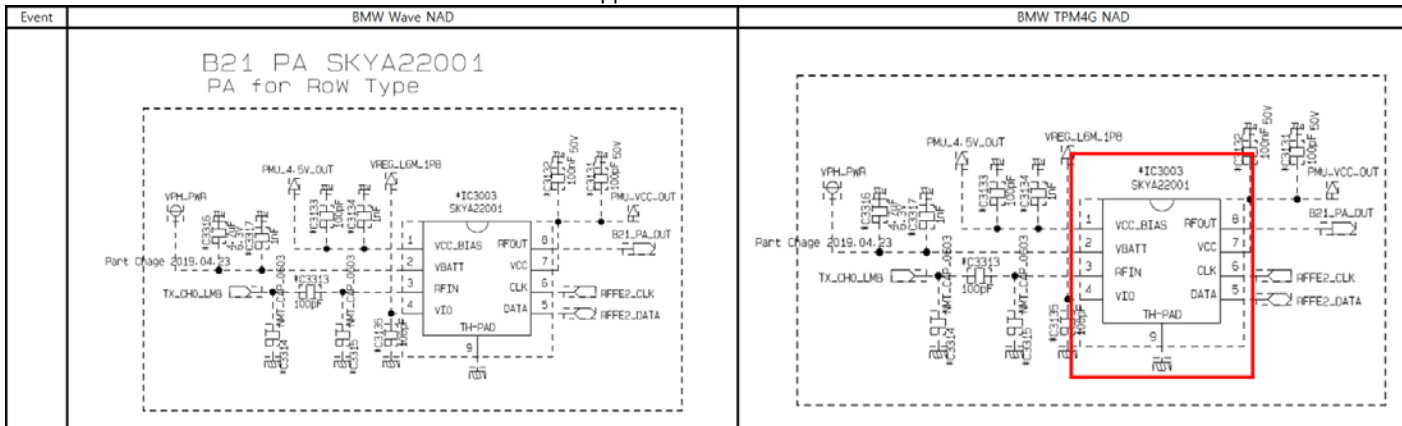
1. Filter is removed form circuit due to B71 nonsupport.



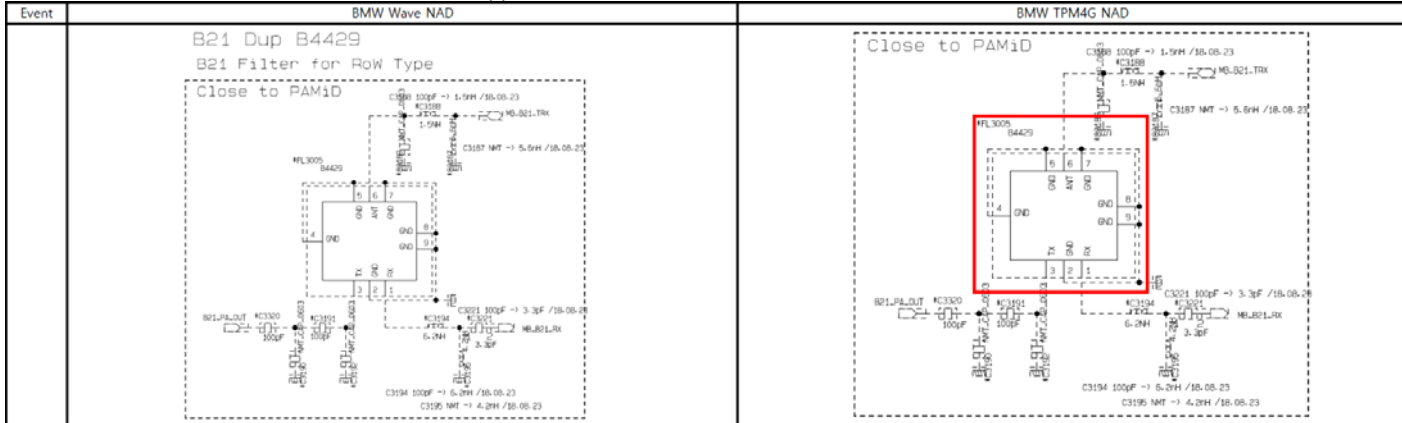
2. Filter is removed form circuit due to B25 nonsupport.



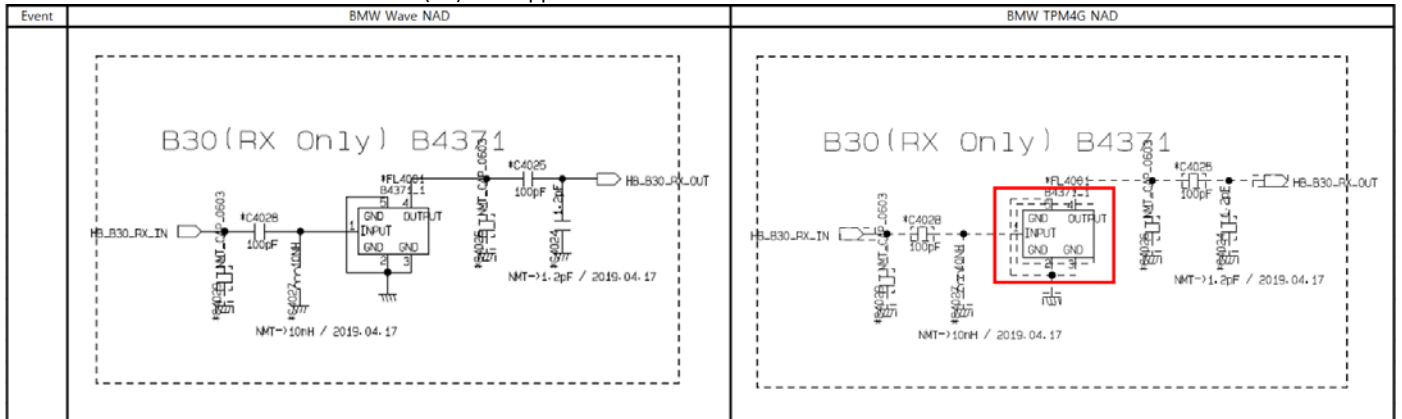
3. SKYA22001 PAM is removed form circuit due to B21 nonsupport.



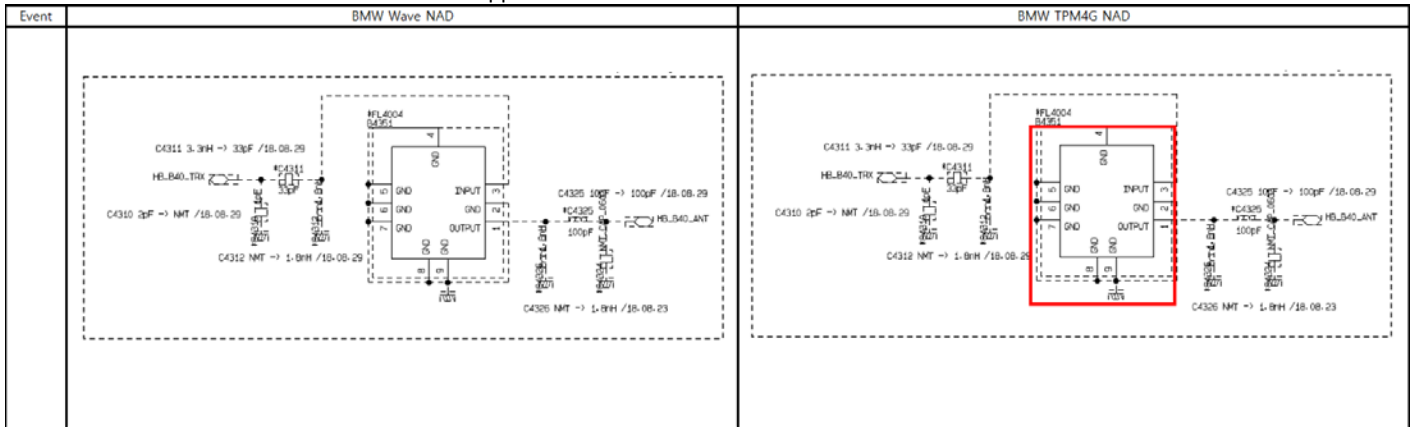
4. Filter is removed form circuit due to B21 nonsupport.



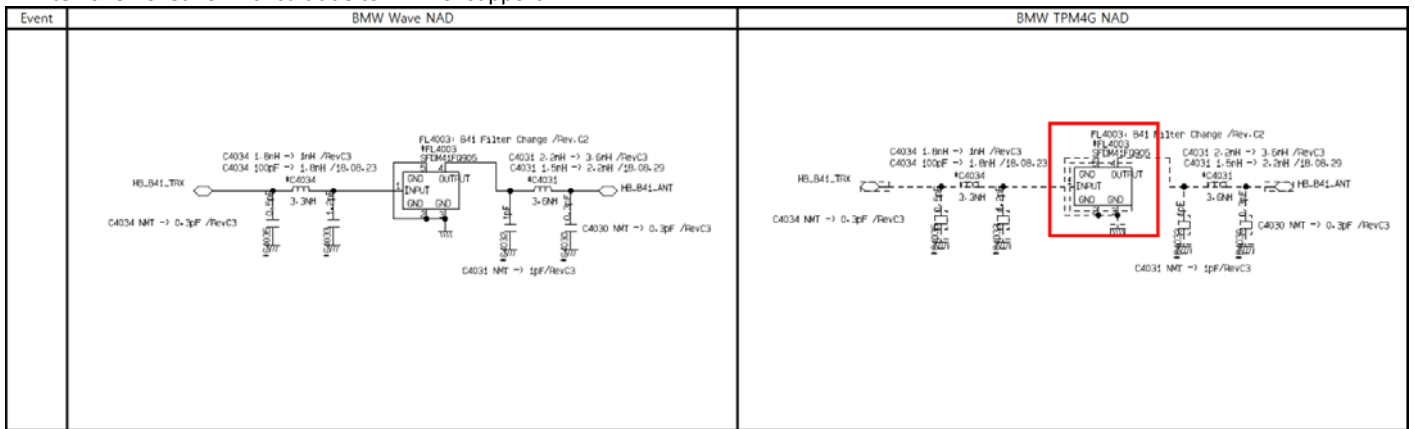
5. Filter is removed form circuit due to B30(RX) nonsupport.



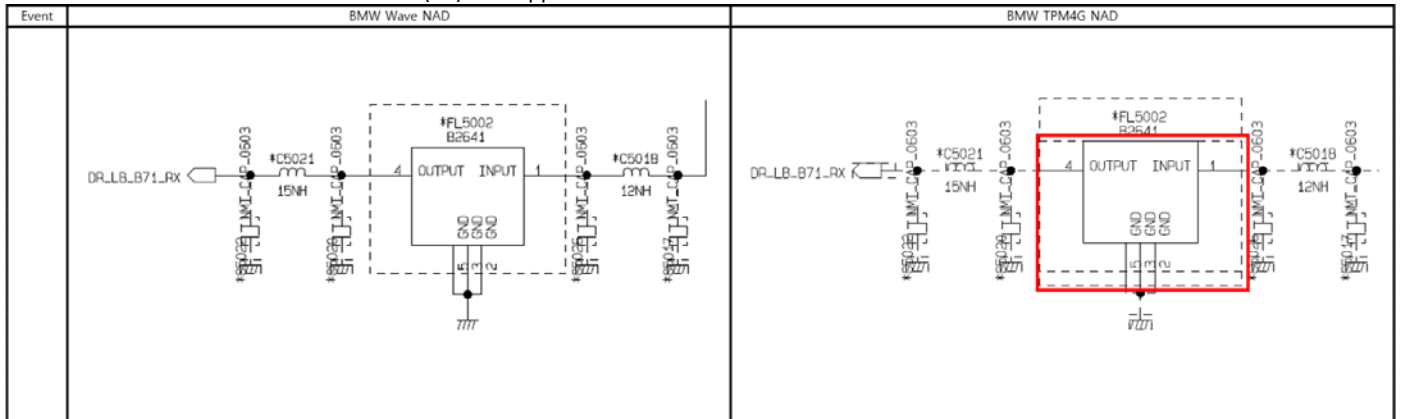
6. Filter is removed form circuit due to B40 nonsupport.



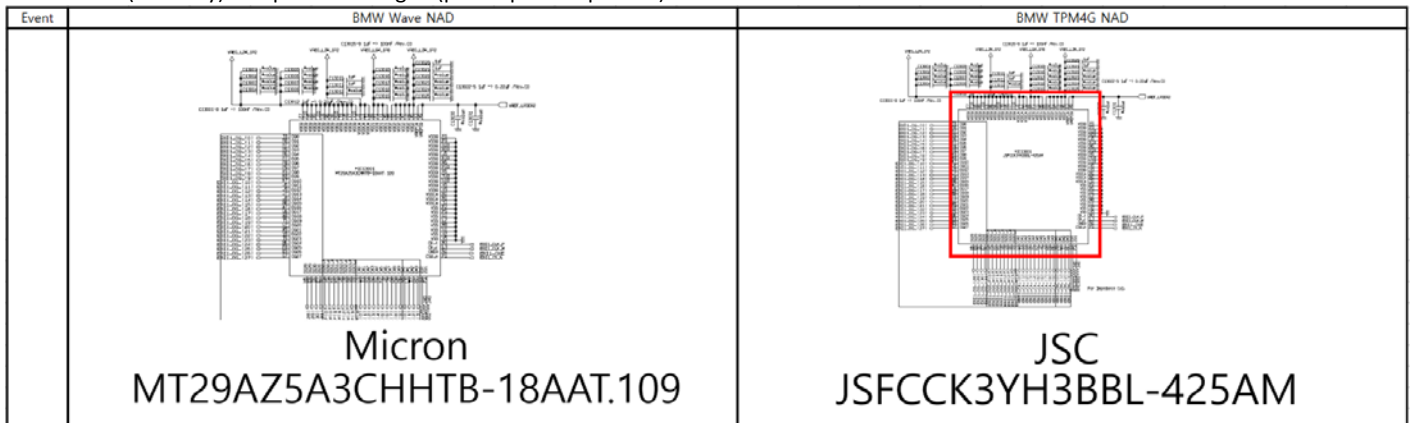
7. Filter is removed form circuit due to B41 nonsupport.



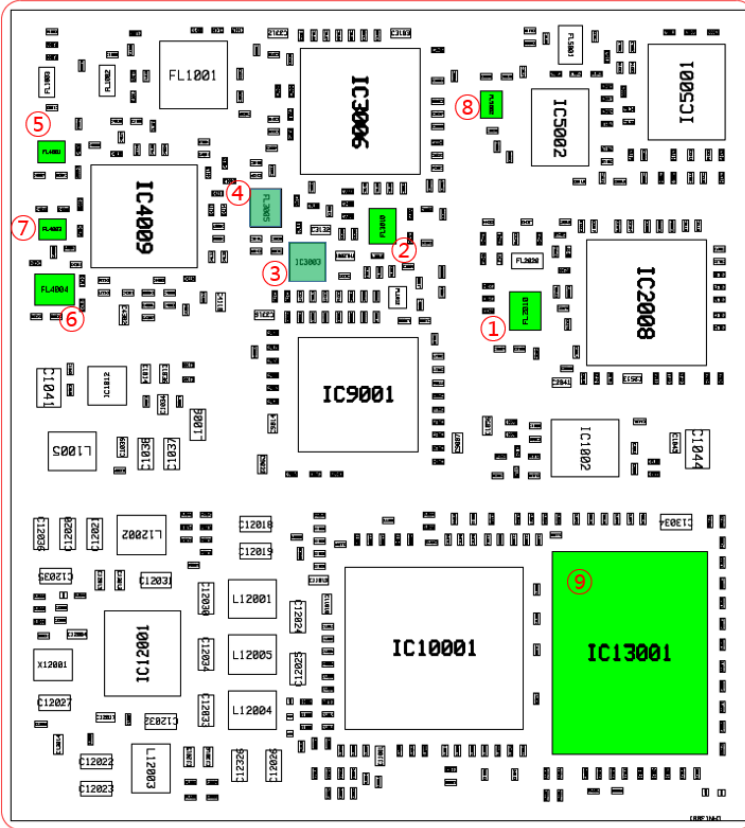
8. Filter is removed form circuit due to B71(RX) nonsupport.



9. NAD MCP(Memory) component changed (pin-to-pin component)



- 8EA component are removed from circuit and NAD MCP Changed



Evaluation

We compared band information, components differences and conduction power between TM04ANNABM0 and TM04ANNABM1. It is concluded that there is no difference for RF performance of TM04ANNABM1's bands between TM04ANNABM0 and TM04ANNABM1.



Dae Woong Kim
Director, NA Regulatory and Environmental Affairs
LG Electronics Inc.