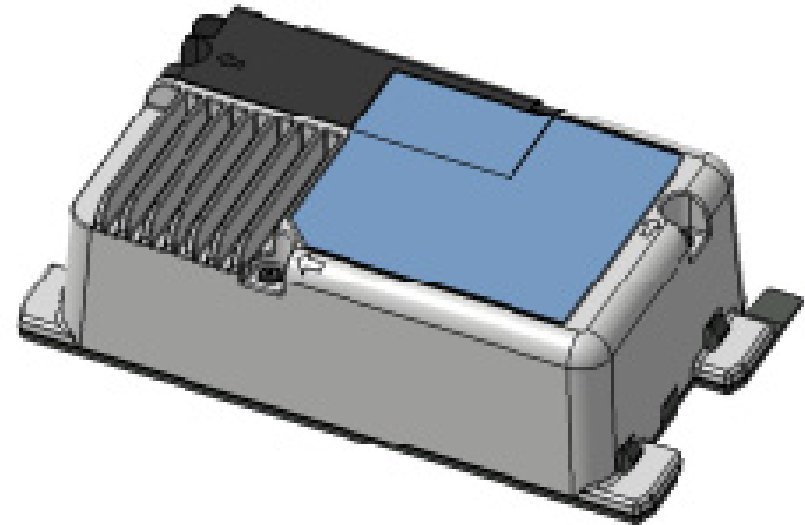
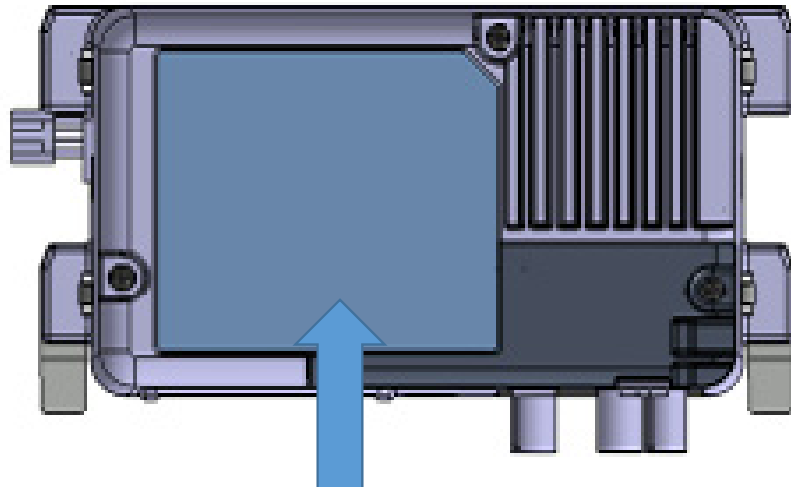


# VW OCU3 Label Location

- Label Size : 59 X 52 mm



**5WA 035 283**

	5WA035 283 SW 5001 01S HW 501	<b>NOM</b>
--	----------------------------------	------------

**VW AG**  
Online Connectivity Unit

MADE IN CHINA  
LG Electronics  
MODEL : TLVLM3IU-N  
DC 12 V  2 A  
IMEI XXXXXXXXXXXXXXXX  
ICCID XXXXXXXXXXXXXXXX  
LG S/N 710VHAB000001

Telematics  
IFT : XXXXXXXX  
CNC ID: XX-XXXXX

FCC ID : BEJTLVLM3IU-N  
IC : 2703H-TLVLM3IUN

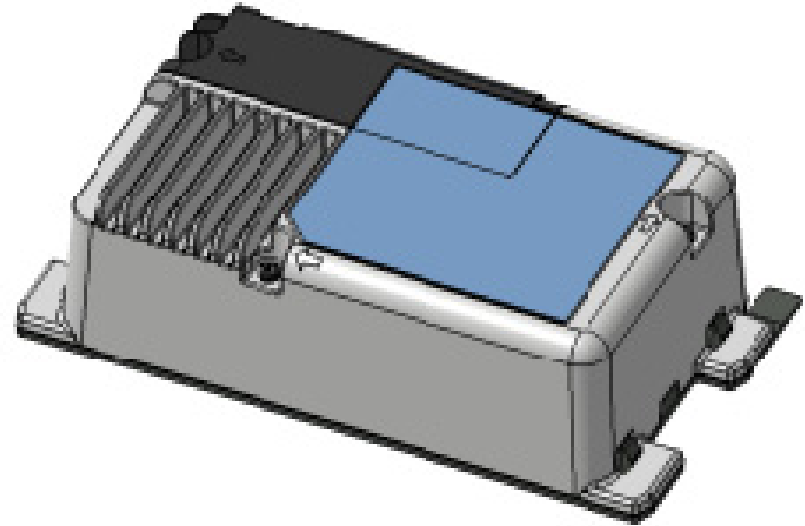
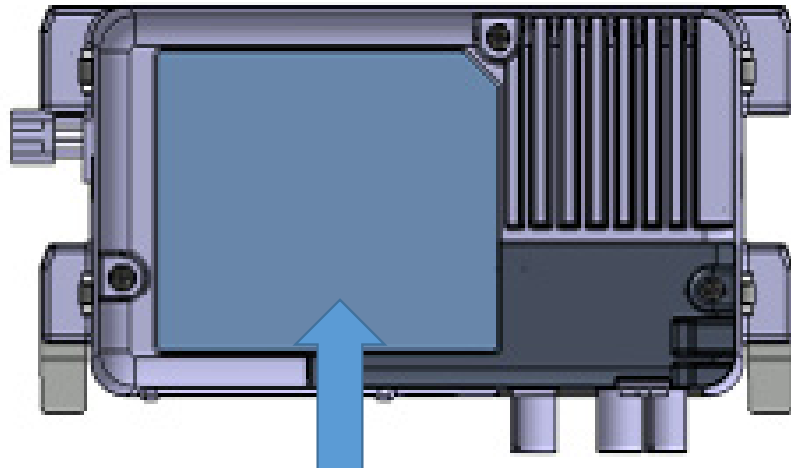
This device complies with part 15 of the FCC Rules. Operation is subject to the following two conditions:  
(1) This device may not cause harmful interference, and  
(2) This device must accept any interference received, including interference that may cause undesired operation.

LG5-LGHDD.MM.YY00010001

# VW OCU3 Label Location

- Label Size : 59 X 52 mm



**5WA 035 283**

5WA035 283 SW 5001  
01S HW 501

**NOM**

Telematics  
IFT : XXXXXXXXX  
CNC ID: XX-XXXXX

**VW AG**  
Online Connectivity Unit

FCC ID : BEJTLVLM3IU-N  
IC : 2703H-TLVLM3IU-N

MADE IN CHINA  
LG Electronics  
MODEL : TLVLP3IU-N  
DC 12 V  $\equiv$  2 A  
IMEI XXXXXXXXXXXXXXXX  
ICCID XXXXXXXXXXXXXXXX  
LG S/N 710VHAB000001

This device complies with part 15 of the FCC Rules. Operation is subject to the following two conditions:  
(1) This device may not cause harmful interference, and  
(2) This device must accept any interference received, including interference that may cause undesired operation.

LG5-LGHDD.MM.YY00010001