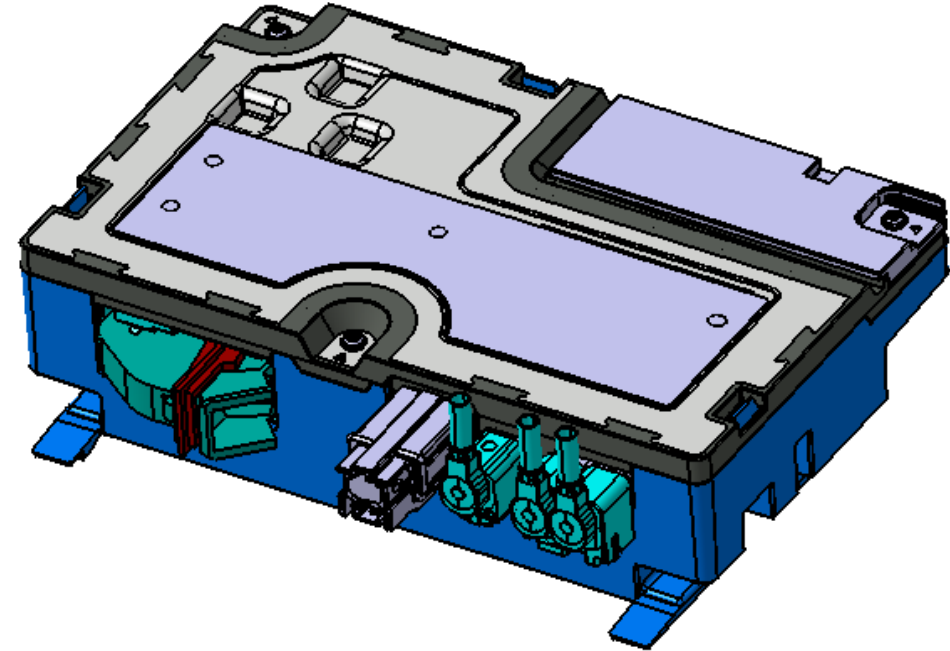
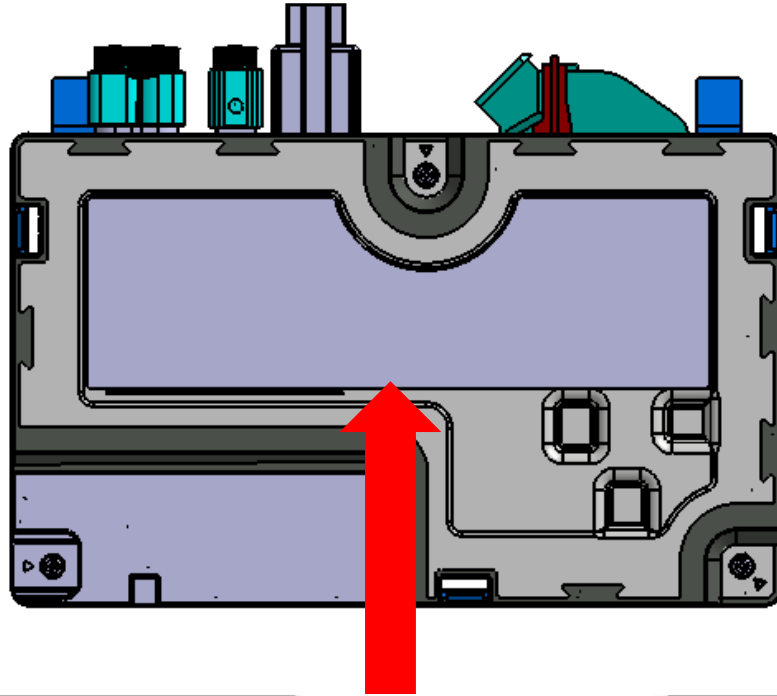


# VW OCU High NA Label Location(TLVHW3IU-N)

- Label Size : 117.3 X 35.7 mm



XXX XXX XXX

XXX XXX XXX SW XXXX  
XXX HW XXX  
LG5

**VW AG**  
Online Connectivity Unit

MADE IN VIETNAM  
LG Electronics  
MODEL : TLVHW3IU-N  
DC 12 V  $\equiv$  2 A

IMEI XXXXXXXXXXXXXXXX  
ICCID XXXXXXXXXXXXXXXX  
LG S/N 710VHAB000001

Telematics  
FCC ID : BEJTLVHW3IU-N  
IC : 2703H-TLVHW3IUN

LG5-LGHDD.MM.YY00060001