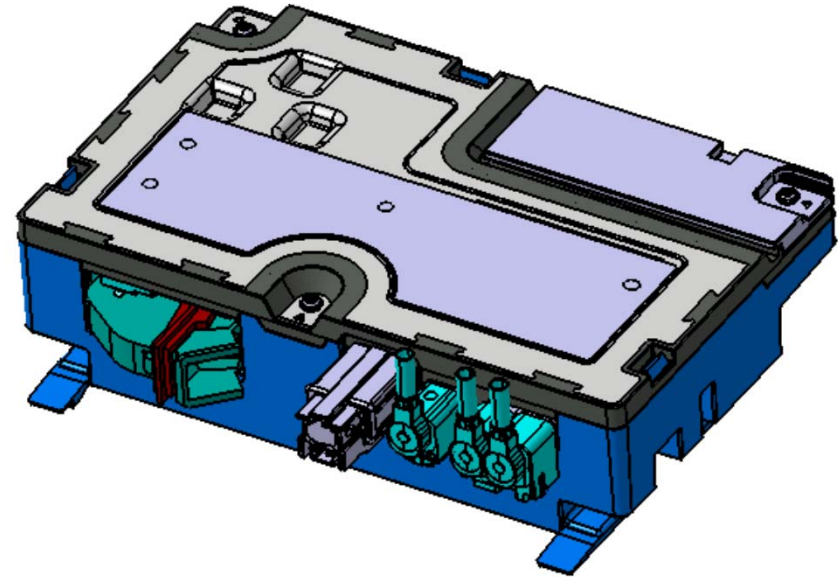
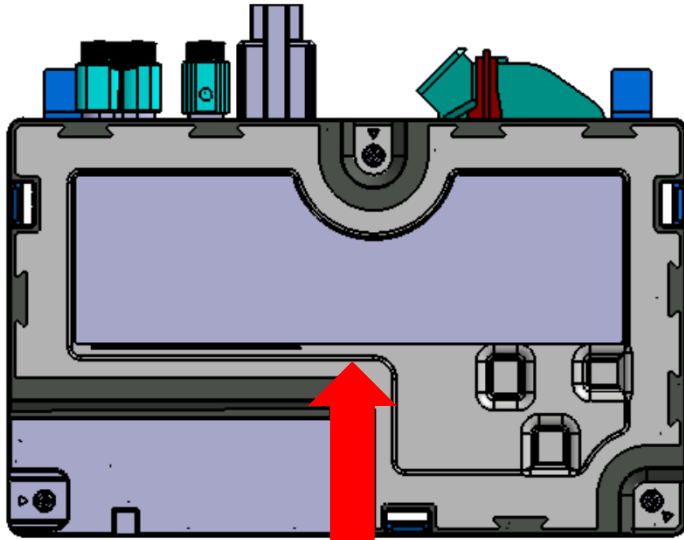


Label Location(TLVHW3IU-N)



- Label Size : 117.3 X 35.7 mm



5WA 035 285 A

5WA 035 285 A SW 0000
00S HW 000
LG5

VW AG
Online Connectivity Unit
MADE IN VIETNAM
LG Electronics
MODEL : TLVHW3IU-N
DC 12 V \approx 2 A
IMEI XXXXXXXXXXXXXXXXXX
ICCID XXXXXXXXXXXXXXXXXX
LG S/N 710VIA000001

CNC COMISIÓN NACIONAL DE COMUNICACIONES
XX-XXXXXX

IC : 2703H-TLVHW3IUN
FCC ID : BEJTLVHW3IU-N
IFETEL : XXXXXXX-XXXX

LG5-LGHDD.MM.YY00040001