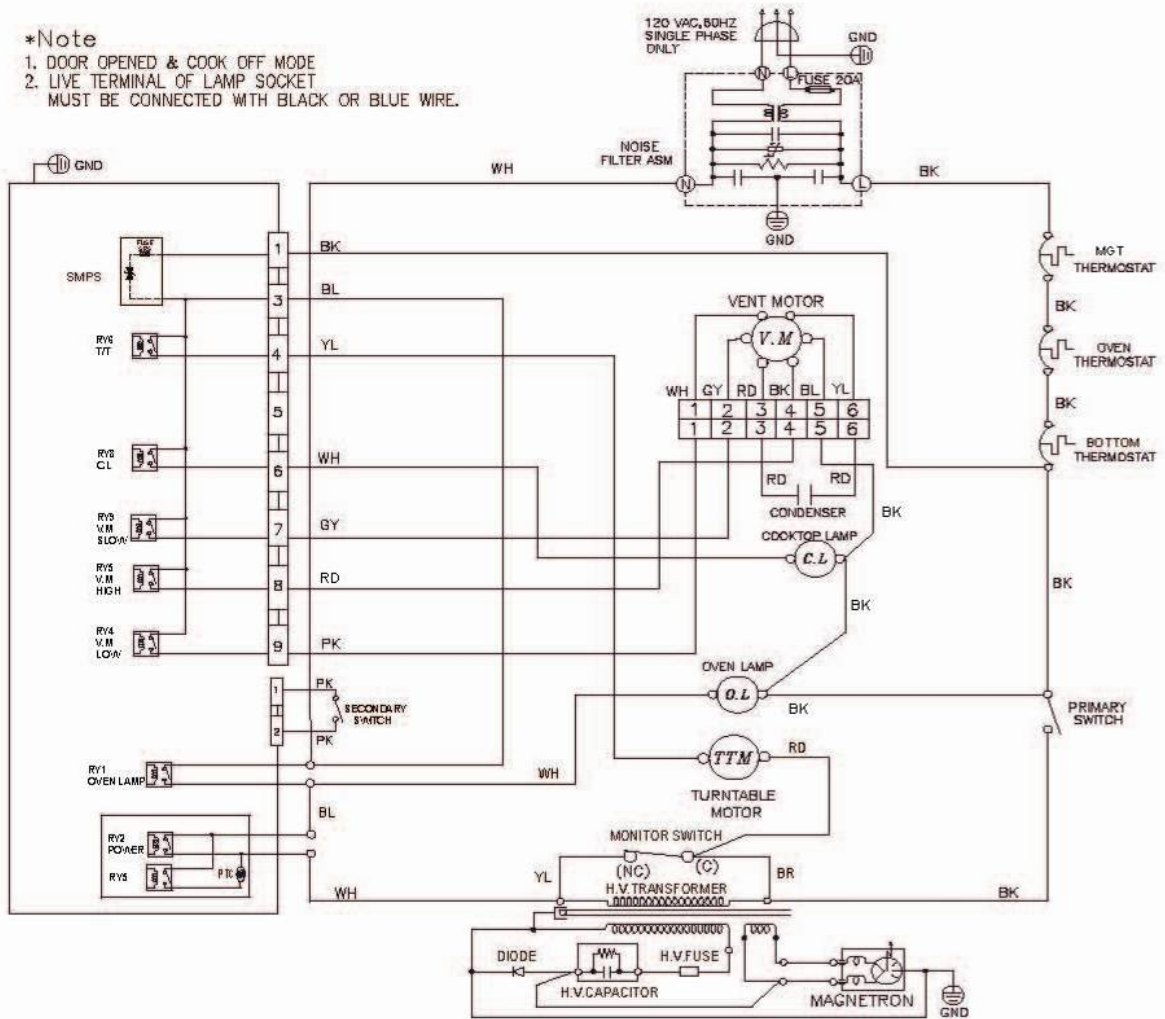


APPENDIX C. Block Diagram / Schematics

WIRING DIAGRAM



<Fig. 3-1. Block Diagram>