

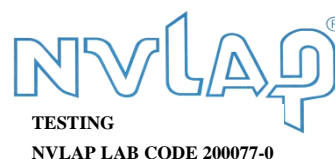
FCC 15.407 NII DFS Test Report

for

LG Electronics Inc.

**222, LG-ro, Jinwi-myeon Pyeongtaek-Si, Gyeonggi-Do,
17709 Republic of Korea**

Product Name : Notebook Computer
Model Name : (1)17Z90TP (2)17ZB90TP
(3)17ZD90TP (4)17ZG90TP
Brand : LG
FCC ID : BEJNT-17Z90TP



The test report is based on a single evaluation of one sample of the above-mentioned products. It does not imply an assessment of the whole production and does not permit the use of the test lab logo.
The report must not be used by the client to claim product certification, approval, or endorsement by NVLAP, NIST, or any agency of the U.S. Government.



TABLE OF CONTENTS

Description	Page
TEST REPORT	3
1. REVISION RECORD OF TEST REPORT	4
2. SUMMARY OF TEST RESULTS	5
3. GENERAL INFORMATION	6
3.1. Description of Application	6
3.2. Description of EUT	7
3.3. Reference Test Guidance.....	8
3.4. Antenna Information	9
3.5. EUT Specifications Assessed in Current Report	10
3.6. Description of Key Components	11
3.7. Test Configuration.....	13
3.8. Output Power Setting	13
3.9. Description of Test Facility	13
3.10. Measurement Uncertainty	13
4. MEASUREMENT EQUIPMENTLIST.....	14
5. WORKING MODES AND REQUIREMENT TEST ITEM.....	15
5.1. Applicability of DFS Requirements Prior to Use of a Channel.....	15
5.2. Applicability of DFS Requirements during Normal Operation.....	15
6. DFS DETECTION THRESHOLOES AND RADAR TEST WAVEFORMS.....	16
6.1. Interference Threshold Value, Master or Client Incorporating In-Service Monitoring.....	16
6.2. Radar Test Waveform Minimum Step.....	16
6.3. Short Pulse Radar Test Waveforms.....	17
6.4. Long Pulse Radar Test Waveforms	18
6.5. Frequency Hopping Pulse Radar Test Waveforms.....	20
6.6. Conducted Calibration Setup.....	22
6.7. Radar Waveform Calibration Procedure	22
6.8. Calibration Deviation	22
6.9. Radar Waveform Calibration Result	23
7. TEST SETUP AND TEST RESULT	24
7.1. Test Setup	24
7.2. Channel Move Time, Channel Closing Transmission Time, Non-Occupancy Period, Non-Associated Client Beacon Measurement	26

APPENDIX A TEST PHOTOGRAPHS

TEST REPORT

Applicant : LG Electronics Inc.
Manufacturer : LG Electronics Inc.
Factory : LG Electronics Nanjing New Technology Co., Ltd.
EUT Description
(1) Product : Notebook Computer
(2) Model : (1)17Z90TP (2)17ZB90TP (3)17ZD90TP (4)17ZG90TP
(3) Brand : LG
(4) Power Supply : DC 20V, 3.25A

Applicable Standards:

47 CFR FCC Part 15 Subpart E

Audix Technology Corp. tested the equipment mentioned in accordance with the requirements set forth in the above standards. Test results indicate that the equipment tested is capable of demonstrating compliance with the requirements as documented within this report.

Audix Technology Corp. does not assume responsibility for any conclusions and generalizations drawn from the test results with regard to other specimens and samples.

Date of Report: 2024. 10. 24

Reviewed by: Sunnle Huang (Sunnle Huang/Administrator)

Approved by: Johnny Hsueh (Johnny Hsueh/Section Manager)



Audix Technology Corp.
No. 491, Zhongfu Rd., Linkou Dist.,
New Taipei City 244, Taiwan

Tel: +886 2 26099301
Fax: +886 2 26099303

1. REVISION RECORD OF TEST REPORT

Edition No	Issued Date	Revision Summary	Report Number
0	2024. 10. 24	Original Report	EM-F240472

2. SUMMARY OF TEST RESULTS

Description	Results
Channel Availability Check Time	N/A
Channel Move Time	PASS
Non-Occupancy Period	PASS
Non-Associated Client Beacon	PASS
Channel Closing Transmission Time	PASS
U-NII Detection Bandwidth	N/A
N/A is an abbreviation for Not Applicable, since the product is client without radar detection function	
Note: The uncertainties value is not used in determining the result.	

3. GENERAL INFORMATION

3.1. Description of Application

Applicant	LG Electronics Inc. 222, LG-ro, Jinwi-myeon Pyeongtaek-Si, Gyeonggi-Do, 17709 Republic of Korea
Manufacturer	LG Electronics Inc. 222, LG-ro, Jinwi-myeon Pyeongtaek-Si, Gyeonggi-Do, 17709 Republic of Korea
Factory	LG Electronics Nanjing New Technology Co., Ltd. No.346, Yaoxin Road, Economic & Technical Development Zone, Nanjing, China.
Product	Notebook Computer
Model	(1)17Z90TP (2)17ZB90TP (3)17ZD90TP (4)17ZG90TP The difference between all models is different in the sales customers and color difference.
Brand	LG

3.2. Description of EUT

Test Model	17Z90TP	
Serial Number	N/A	
Power Rating	DC 20V, 3.25A	
Software Version	XY (X, Y can be 0 to 9 for different SW version not influence RF parameter)	
RF Features	WLAN:802.11 a/b/g/n/ac/ax/be Bluetooth: BT and BLE (BT5.4)	
Transmit Type	2.4 GHz Bands	
	802.11b	1T1R
	802.11g	1T1R
	802.11n-HT20/40	2T2R
	802.11ax-HE20/40	2T2R
	802.11be-EHT20/40	2T2R
	BT/BLE	1T1R
	U-NII Bands	
	802.11a	1T1R
	802.11n-HT20/40	2T2R
	802.11ac-VHT20/40/80/160	2T2R
	802.11ax-HE20/40/80/160	2T2R
	802.11be-EHT20/40/80/160	2T2R
	WLAN 6E Bands	
	802.11ax-HE20/40/80/160	2T2R
802.11be-EHT20/40/80/160/320	2T2R	
The MIMO is uncorrelated and supported SDM (Spatial Division Multiplexing) mode only. This radio device doesn't support beamforming and Cyclic Delay Diversity (CDD).		
Device Category	<input type="checkbox"/> Outdoor Access Point <input type="checkbox"/> Fixed point-to-point Access Point <input type="checkbox"/> Indoor Access Point <input checked="" type="checkbox"/> Mobile and Portable client device	
Sample Status	Trial sample	
Test Sample	Sample No.	Test Item
	03	DFS
	Firmware	N/A
Date of Receipt	2024. 09. 19	
Date of Test	2024. 10. 09 ~ 11	



Audix Technology Corp.
No. 491, Zhongfu Rd., Linkou Dist.,
New Taipei City 244, Taiwan

Tel: +886 2 26099301
Fax: +886 2 26099303

Interface Ports of EUT	<ul style="list-style-type: none">• One HDMI Port• Two USB Type C Ports• One Earphone Port• Two USB 3.0 Ports
Accessories Supplied	<ul style="list-style-type: none">• AC Adapter• USB C Cable• LAN Gender

Note: Pursuant ISO 17025:2017 section 7.8.2, Audix Technology Corp. does not assume responsibility for all EUT's information including RF features, transmit type, antenna information...etc are provided by customer.

3.3. Reference Test Guidance

- KDB 905462 D02 U-NII DFS Compliance Procedures New Rules v02
- KDB 905462 D03 U-NII Clients Without Radar Detection New Rules v01r02

3.4. Antenna Information

No.	Antenna Part Number	Manufacture	Antenna Type	Frequency (MHz)	Max Gain(dBi)	
					Main	AUX
1	WA-P-LBLB-04-112	INPAQ	Mono-Pole	2400~2500	1.5	2.7
				5150~5350	1.6	3.0
				5470~5725	2.5	1.3
				5725~5900	2.5	2.3
				5925~6425	0.6	2.4
				6425~6525	3.1	2.4
				6525~6875	2.8	1.6
				6875~7125	2.7	1.4

According to KDB 662911 D01 d) ii), transmit signals are completely uncorrelated, then
 Directional gain = $10 \log[(10^{G1/10} + 10^{G2/10} + \dots + 10^{GN/10})/N_{ANT}]$ dBi
 Note 1. 2.4G: Directional gain =
 2400~2500MHz: Directional gain = $10 \log[(10^{1.5/10} + 10^{2.7/10})/2] = 2.14$ dBi
 Note 2. 5G: Directional gain =
 5150 ~ 5350MHz: = $10 \log[(10^{1.6/10} + 10^{3.0/10})/2] = 2.36$ dBi
 5725 ~ 5900MHz: = $10 \log[(10^{2.5/10} + 10^{2.3/10})/2] = 2.40$ dBi
 Note 3. UNII Band (WLAN 6G):
 5925~6425MHz: Directional gain = $10 \log[(10^{0.6/10} + 10^{2.4/10})/2] = 1.59$ dBi
 6425~6525MHz: Directional gain = $10 \log[(10^{3.1/10} + 10^{2.4/10})/2] = 2.76$ dBi
 6525~6875MHz: Directional gain = $10 \log[(10^{2.8/10} + 10^{1.6/10})/2] = 2.24$ dBi
 6875~7125MHz: Directional gain = $10 \log[(10^{2.7/10} + 10^{-1.4/10})/2] = 2.10$ dBi

3.5. EUT Specifications Assessed in Current Report

Mode	U-NII Band	Fundamental Range (MHz)	Channel Number
802.11a	2A	5260-5320	4
	2C	5500-5720	12
802.11n-HT20 802.11ac-VHT20 802.11ax-HE20 802.11be-EHT20	2A	5260-5320	4
802.11n-HT40 802.11ac-VHT40 802.11ax-HE40 802.11be-EHT40	2C	5500-5720	12
	2A	5270-5310	2
802.11ac-VHT80 802.11ax-HE80 802.11be-EHT80	2C	5510-5710	6
	2A	5290	1
802.11ac-VHT160 802.11ax-HE160 802.11be-EHT160	2C	5530-5690	3
	2A	5250	1
802.11ac-VHT160 802.11ax-HE160 802.11be-EHT160	2C	5570	1

Remark: 1. U-NII Band 2A and 2C (DFS Function, Slave/no In service monitor, no Ad-Hoc mode)
 2. 802.11ax/be channel puncturing is not implemented.

Mode	Modulation	Data Rate (Mbps)
802.11a	OFDM (BPSK/QPSK/16QAM/64QAM)	Up to 54
802.11n-HT20		Up to 144.4
802.11n-HT40		Up to 300
802.11ac-VHT20 802.11ac-VHT40 802.11ac-VHT80 802.11ac-VHT160	OFDM (BPSK/QPSK/16QAM/64QAM/256QAM)	Up to 173.3 Up to 400 Up to 866.7 Up to 1733.3
802.11ax-HE20 802.11ax-HE40 802.11ax-HE80 802.11ax-HE160	OFDMA (BPSK/ QPSK/ 16QAM/ 64QAM/ 256QAM/ 1024QAM)	Up to 287 Up to 574 Up to 1201 Up to 2402
802.11be-EHT20 802.11be-EHT40 802.11be-EHT80 802.11be-EHT160	OFDMA (BPSK/ QPSK/ 16QAM/ 64QAM/ 256QAM/ 1024QAM/ 4096QAM)	Up to 344 Up to 688 Up to 1441 Up to 2882

3.6. Description of Key Components

3.6.1. For the All Component Lists

Item	Supplier	Model / Type	Character	
System	Microsoft	Win10 Home / Pro	---	
		Win11 Home / Pro	---	
Main Board	LG	1XZ90TP MAIN B/D	Manufacturer: #1 Hannstar Board Tech (Jiang Yin) Corp.,Ltd. #2 Elec&Eltek Company (MCO) Limited.	
SUB Board	LG	17Z90TP SUB B/D	Manufacturer: #1 HannstarBoardTech(Jiang Yin)Corp.,Ltd. #2 JiangSuHuaShen Electronic co.,ltd (HXF) #3 Elec&Eltek Company (MCO) Limited.	
CPU (Socket: BGA2049)	Intel	Ultra 7 255H	2.0 GHz	
	Intel	Ultra 5 225H	1.7 GHz	
17" LCD Panel	LG Display	LP170WQ2	Resolution: 2560 x 1600, 144Hz	
Storage (SSD)	SAMSUNG	---	256GB / 512GB / 1TB	
	SK hynix	---	256GB / 512GB / 1TB	
Memory (RAM)	SAMSUNG	---	16GB / 32GB LPDDR5x(On Board)	
	SK hynix	---	16GB / 32GB LPDDR5x(On Board)	
Battery Pack	LG	LB3122MM	77Wh, DC 15.52V, 4963mAh	
		LBY122NM	90Wh, DC 15.52V, 5800mAh	
WLAN Combo Card	Intel	BE201D2W	WLAN and BT, 2x2 PCIe M.2 1216-soldered down module FCC ID: PD9BE201D2 IC: 1000M-BE201D2	
WLAN Combo Antenna	LG (INPAQ)	WA-P-LBLB-04-112	PCB, Mono-pole Type Main/Aux	
Keyboard	LITE-ON	SG-B7000	---	
Touch Pad	LITE-ON	SP8B00B31(SG-A0660-00A)	---	
	ELAN	SD082A-34H0	---	
Web Camera	Luxvisions	ABG213N3x	x: A~Z; 0~9	
LAN Gender (Type C to LAN)	SUZHOU MEC ELECTRONICS	80-5946-111	(White) 10/100 Megabit Ethernet	
		80-5946-101	(Black) 10/100 Megabit Ethernet	
	ARIN TECH CO. LTD	GD-08MF-36-WH-LP10	(White) 10/100 Megabit Ethernet	
		GD-08MF-36-BK-LP11	(Black) 10/100 Megabit Ethernet	
	HUIZHOU DEHONG TECHNOLOGY CO.,LTD.	370-50713	(White) 10/100 Megabit Ethernet	
		370-50714	(Black) 10/100 Megabit Ethernet	
	Type C to LAN: Shielded, Undetached			
	ARIN TECH CO. LTD	GD-08MF-50-WH-LP12	(White) 10/100/1000 Megabit Ethernet	
GD-08MF-50-BK-LP13		(Black) 10/100/1000 Megabit Ethernet		
Type C to LAN: Shielded, Undetached, 0.12m				
AC Adapter	LG (PI ELECTRONICS)	LP65WFC20P-NJ	(B = Black),(W = White) I/P: AC 100-240V, 1.6A, 50-60Hz O/P: (PDO)DC 5.0V, 3.0A(15.0W) or DC 9.0V, 3.0A(27.0W)or DC 15.0V,3.0A (45.0W) or DC 20.0V,3.25A (65.0W) (PPS) DC 5.0-20.0V, 3.25A (Max. 65.0W) US Type, Wall-Mounted: (2C)	
			#1 Type C Cable (5A) #2 Type C Cable (3A)	

Remark: For more detailed features description, please refer to the manufacturer's specifications or the user manual.

3.6.2. The EUT collocates with following worst components, which are used to establish a basic configuration of system during test:

SKU (Mode)		1	
Main Board	LG, 1XZ90TP MAIN B/D	V	
SUB Board	LG, 17Z90TP SUB B/D	V	
CPU	Intel, Ultra 7 255H	V	
17" LCD Panel	LG Display, LP170WQ2	V	
Storage (SSD)	SAMSUNG, 512GB+1TB	V	
Memory (RAM)	SK hynix, 32GB	V	
Battery Pack	LG, LB3122MM, 77 Wh	V	
Keyboard	LITE-ON, SG-B7000	V	
Touch Pad	LITE-ON, SP8B00B31(SG-A0660-00A)	V	
Web Camera	Luxvisions, ABG213N3A	V	
WLAN Combo Card	Intel, BE201D2W	V	
WLAN Combo Antenna	LG (INPAQ), WA-P-LBLB-04-112	V	
Type C #1	AC Adapter	LG (PI ELECTRONICS), LP65WFC20P-NJ	V
Type C #2	Link to LAN Gender	ARIN (10/100/1000Mbps)	V

3.7. Test Configuration

Item	Bandwidth	Test Channel
Channel Move Time & Channel Closing Transmission Time	160MHz	50
Non-Occupancy Period & Non-associated Test	160MHz	50

3.8. Output Power Setting

Item	Manufacturer	Model	Remark
AP Server	ASUS	RT-BE96U	FCC ID: MSQ-RTBE6G00

3.9. Description of Test Facility

Name of Test Firm	Audix Technology Corporation / EMC Department No. 491, Zhongfu Rd., Linkou Dist., New Taipei City 244, Taiwan Tel: +886-2-26092133 Fax: +886-2-26099303 Website : www.audixtech.com Contact e-mail: attemc_report@audixtech.com
Accreditations	The laboratory is accredited by following organizations under ISO/IEC 17025:2017 (1) NVLAP(USA) NVLAP Lab Code 200077-0 (2) TAF(Taiwan) No. 1724
Test Facilities	FCC OET Designation Number under APEC MRA by NCC is : TW1724 (1) RF Test Room

3.10. Measurement Uncertainty

Test Item	Uncertainty
DFS Measurement	±0.5ms
Threshold	±0.33dB

4. MEASUREMENT EQUIPMENT LIST

Item	Type	Manufacturer	Model No.	Serial No.	Cal. Date	Cal. Interval
1.	Vector Signal Generation	R&S	SMU200A	104893	2024.05.31	1 Year
2.	Spectrum Analyzer	R&S	FSV30	101181	2024.07.13	1 Year
3.	Attenuator (10dB) X2	Worken	WK0602-10	0120A02208001S	N.C.R	N.C.R
4.	Attenuator (30dB) X2	Worken	WK0602-30	0120A02208002S	N.C.R	N.C.R
5.	Digital Thermo-Hygro Meter	iMax	HTC-1	RF-03	2024.04.11	1 Year

5. WORKING MODES AND REQUIREMENT TEST ITEM

5.1. Applicability of DFS Requirements Prior to Use of a Channel

Requirement	Operational Mode		
	Master	Client Without Radar Detection	Client With Radar Detection
Non-Occupancy Period	Yes	Not required	Yes
DFS Detection Threshold	Yes	Not required	Yes
Channel Availability Check Time	Yes	Not required	Not required
U-NII Detection Bandwidth	Yes	Not required	Yes

5.2. Applicability of DFS Requirements during Normal Operation

Requirement	Operational Mode	
	Master Device or Client with Radar Detection	Client Without Radar Detection
DFS Detection Threshold	Yes	Not required
Channel Closing Transmission Time	Yes	Yes
Channel Move Time	Yes	Yes
U-NII Detection Bandwidth	Yes	Not required

Additional requirements for devices with multiple bandwidth modes	Operational Mode	
	Master Device or Client with Radar Detection	Client Without Radar Detection
U-NII Detection Bandwidth and Statistical Performance Check	All BW modes must be tested	Not required
Channel Move Time and Channel Closing Transmission Time	Test using widest BW mode available	Test using the widest BW mode available for the link
All other tests	Any single BW mode	Not required

6. DFS DETECTION THRESHOLDS AND RADAR TEST

WAVEFORMS

6.1. Interference Threshold Value, Master or Client Incorporating In-Service Monitoring

Maximum Transmit Power	Value (See Notes 1 and 2)
≥ 200 milliwatt	-64dBm
< 200 milliwatt	-62dBm

Note 1: This is the level at the input of the receiver assuming a 0 dBi receive antenna.

Note 2: Throughout these test procedures an additional 1 dB has been added to the amplitude of the test transmission waveforms to account for variations in measurement equipment. This will ensure that the test signal is at or above the detection threshold level to trigger a DFS response.

The radar Detection Threshold, lowest antenna gain is the parameter of interference radar DFS detection threshold.

6.2. Radar Test Waveform Minimum Step

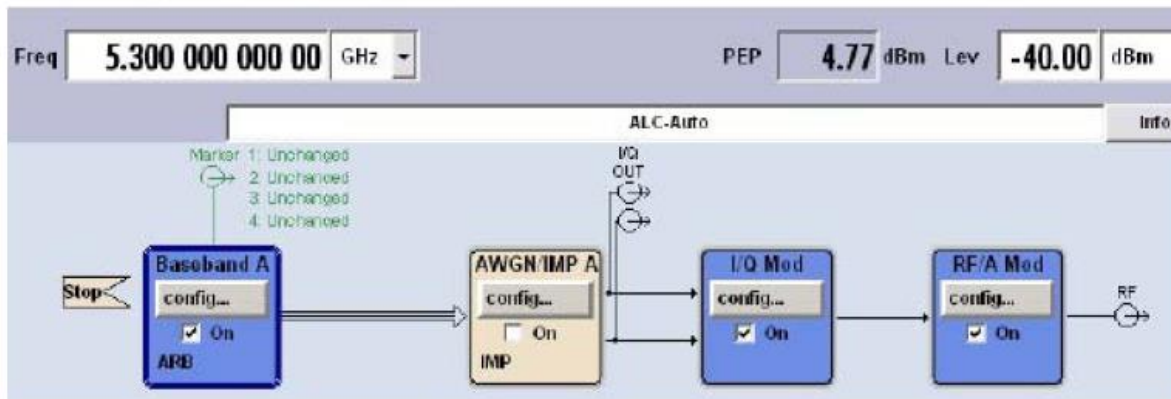
Step intervals of 0.1 microsecond for Pulse Width, 1 microsecond for PRI, 1MHz for chirp width and 1 for the number of pulses will be utilized for the random determination of specific test waveforms.

6.3. Short Pulse Radar Test Waveforms

Radar Type	Pulse Width (μsec)	PRI (μsec)	Number of Pulse	Minimum Percentage of Successful Detection	Minimum number of Trials
0	1	1428	18	See Note 1	See Note 1
1A	1	15 unique PRI in KDB 905462 D02 Table 5a	$\text{Roundup}\left\{\left(\frac{1}{360}\right) \times \left(\frac{19 \times 10^6}{PRI}\right)\right\}$	60%	15
1B	1	15 unique PRI within 518-3066, Excluding 1A PRI		60%	15
2	1-5	150-230	23-29	60%	30
3	6-10	200-500	16-18	60%	30
4	11-20	200-500	12-16	60%	30
Aggregate (Radar Types 1-4)				80%	120
Note 1: Short Pulse Radar Type 0 should be used for the detection bandwidth test, channel move time, and channel closing time tests.					

A minimum of 30 unique waveforms are required for each of the short pulse radar types 2 through 4. For short pulse radar type 1, the same waveform is used a minimum of 30 times. If more than 30 waveforms are used for short pulse radar types 2 through 4, then each additional waveform must also be unique and not repeated from the previous waveforms. The aggregate is the average of the percentage of successful detections of short pulse radar types 1-4.

FCC Radar Types (1~4) System Diagram



Used R&S SMU200A (Vector SG with two ARB)

B11: Base-band Generator with ARB (16M samples) and Digital Modulation

B13: Base-band Main Module

B106: frequency range (100 kHz to 6 GHz)

For selecting the waveform parameters from within the bounds of the signal type, system was random selection using uniform distribution.

6.4. Long Pulse Radar Test Waveforms

Radar Type	Pulse Width (µsec)	Chirp Width (MHz)	PRI (µsec)	Number of Pulse Per Burst	Number of Bursts	Minimum Percentage of Successful Detection	Minimum of Trials
5	50-100	5-20	1000-2000	1-3	8-20	80%	30

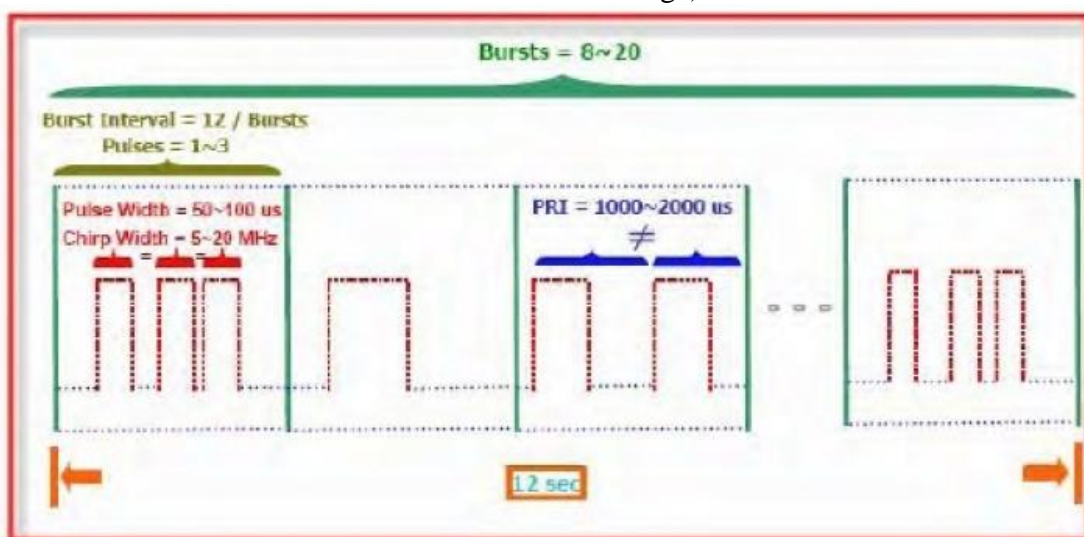
The parameters for this waveform are randomly chosen. Thirty unique waveforms are required for the Long Pulse radar test signal. If more 30 waveforms are used for the Long Pulse radar test signal, then each additional waveform must also be unique and not repeated from the previous waveforms. Each waveform is defined as following:

- (1) The transmission period for the Long Pulse Radar test signal is 12 seconds.
- (2) There are a total of 8 to 20 Bursts in the 12 second period, with the number of Bursts being randomly chosen. This number is Burst_Count.
- (3) Each Burst consists of 1 to 3 pulses, with the number of pulses being randomly chosen. Each Burst within the 12 second sequence may have a different number of pulses.
- (4) The pulse width is between 50 and 100 microseconds, with the pulse width being randomly chosen. Each pulse within a Burst will have the some pulse width. Pulses in different Bursts may have different pulse widths.

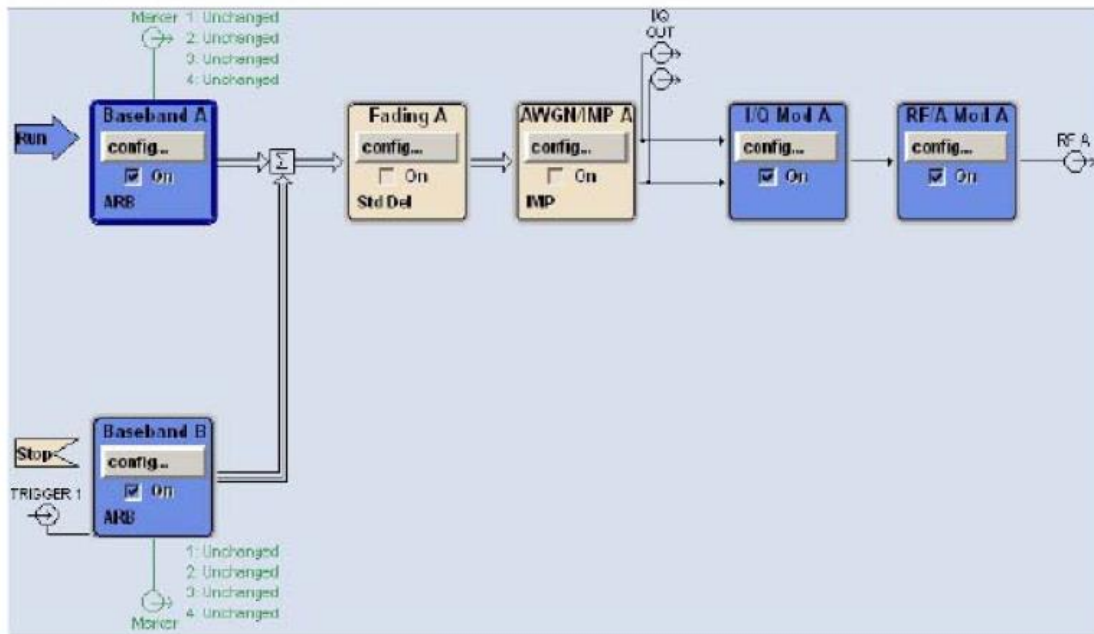
- (5) Each pulse has a linear FM chirp between 5 and 20MHz, with the chirp width being randomly chosen. Each pulse within a Burst will have the same chirp width. Pulses in different Burst may have different chirp widths. The chirp is centered on the pulse. For example, with a radar frequency of 5300MHz and a 20MHz chirped signal, the chirp starts at 5290MHz and ends at 5310MHz.
- (6) If more than one pulse is present in a Burst, the time between the pulses will be between 1000 and 2000 microseconds, with the time being randomly chosen. If three pulses are present in a Burst, the time between the first and second pulses is chosen independently of the time between the second and third pulses.
- (7) The 12 second transmission period is divided into even intervals. The number of intervals is equal to Burst_Count. Each interval is of length $(12000000/\text{Burst_Count})$ microseconds. Each interval contains one Burst. The start time for the Burst, relative to the beginning of the interval, is between 1 and $[(12000000/\text{Burst_Count}) - (\text{Total Burst length}) + (\text{One Random PRI interval})]$ microseconds, with the start time being randomly chosen. The step interval for the start time is 1 microsecond. The start time for each Burst is chosen independently.

A representative example of a Long Pulse radar test waveform:

- (1) The total test signal length is 12 seconds.
- (2) 8 Bursts are randomly generated for the Burst_Count.
- (3) Burst 1 has 2 randomly generated pulses.
- (4) The pulse width (for both pulses) is randomly selected to be 75 microseconds.
- (5) The PRI is randomly selected to be at 1213 microseconds.
- (6) Bursts 2 through 8 are generated using steps 3-5.
- (7) Each Burst is contained in even intervals of 1500000 microseconds. The starting location for Pulse 1. Burst 1 is randomly generated (1 to 1500000 minus the total Burst 1 length + 1 random PRI interval) at the 325001 microsecond step. Bursts 2 through 8 randomly fall in successive 1500000 microsecond intervals (i.e. Burst 2 falls in the 1500001-3000000 microsecond range).



FCC Radar Types (5) System Diagram



Used R&S SMU200A (Vector SG with two ARB)

Path A/Path B Two B11: Base-band Generator with ARB (16M samples) and Digital Modulation

B13: Base-band Main Module

B106: frequency range (100 kHz to 6 GHz)

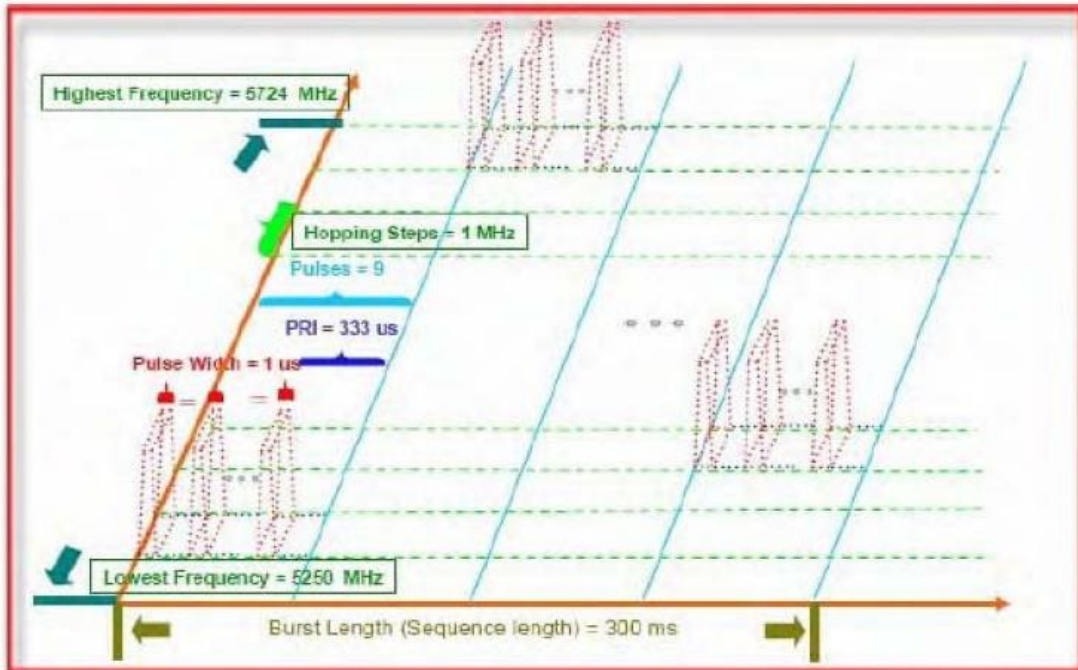
For selecting the waveform parameters from within the bounds of the signal type, system was random selection using uniform distribution.

6.5. Frequency Hopping Pulse Radar Test Waveforms

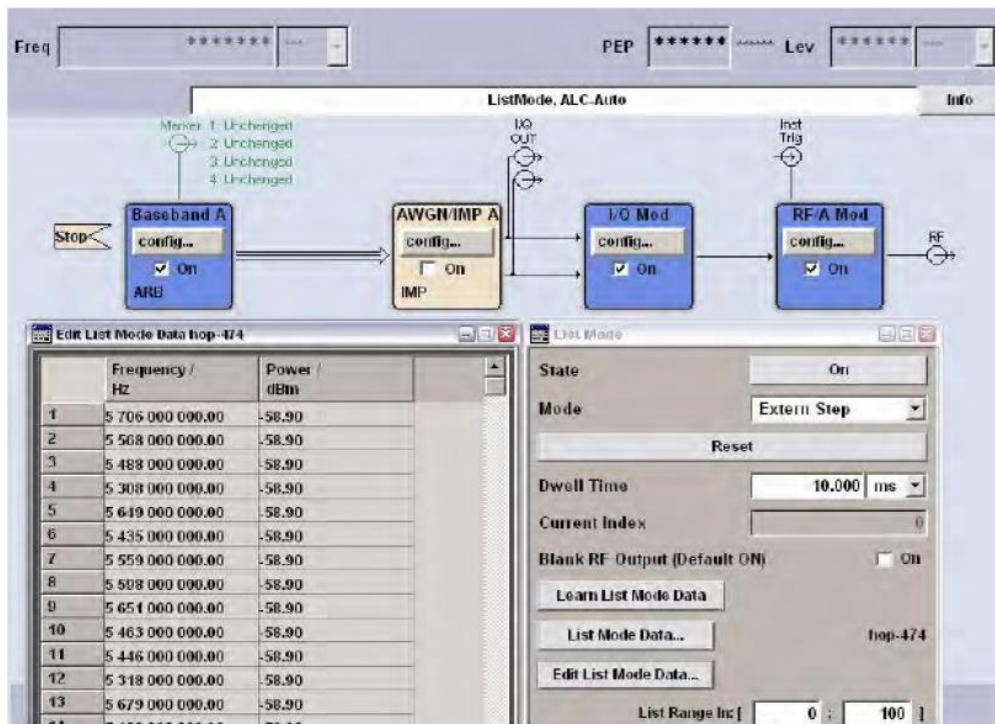
Radar Type	Pulse Width (µsec)	PRI (µsec)	Pulses Per Hop	Hopping Rate (kHz)	Hopping Sequence Length (ms)	Minimum Percentage of Successful Detection	Minimum of Trials
6	1	333	9	0.333	300	70%	30

For the Frequency Hopping Radar Type, the same Burst parameters are used for each waveform. The hopping sequence is different for each waveform and a 100-length segment is selected from the hopping sequence defined by the following algorithm:

The first frequency in a hopping sequence is selected randomly from the group of 475 integer frequencies from 5250-5274MHz. Next, the frequency that was just chosen is removed from the group and a frequency is randomly selected from the remaining 474 frequencies in the group. This process continues until all 475 frequencies are chosen for the set. For selection of random frequency, the frequencies remaining within the group are always treated as equally likely.



FCC Radar Types (6) System Diagram



Used R&S SMU200A (Vector SG with two ARB)

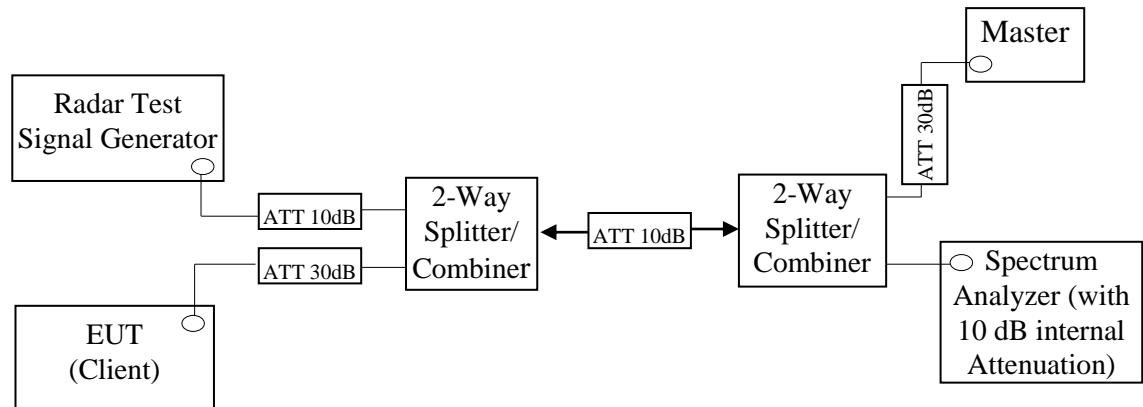
B11: Base-band Generator with ARB (16M samples) and Digital Modulation

B13: Base-band Main Module

B106: frequency range (100 kHz to 6 GHz)

For selecting the waveform parameters from within the bounds of the signal type, system was random selection using uniform distribution.

6.6. Conducted Calibration Setup



6.7. Radar Waveform Calibration Procedure

The measured frequency is 5250MHz. The radar signal was the same as transmitted channels, and injected into the antenna port of AP (master) or Client Device with Radar Detection, measured the channel closing transmission time and channel move time. The calibrated conducted detection threshold level is set to -62dBm. The tested level is lower than required level hence it provides margin to the limit.

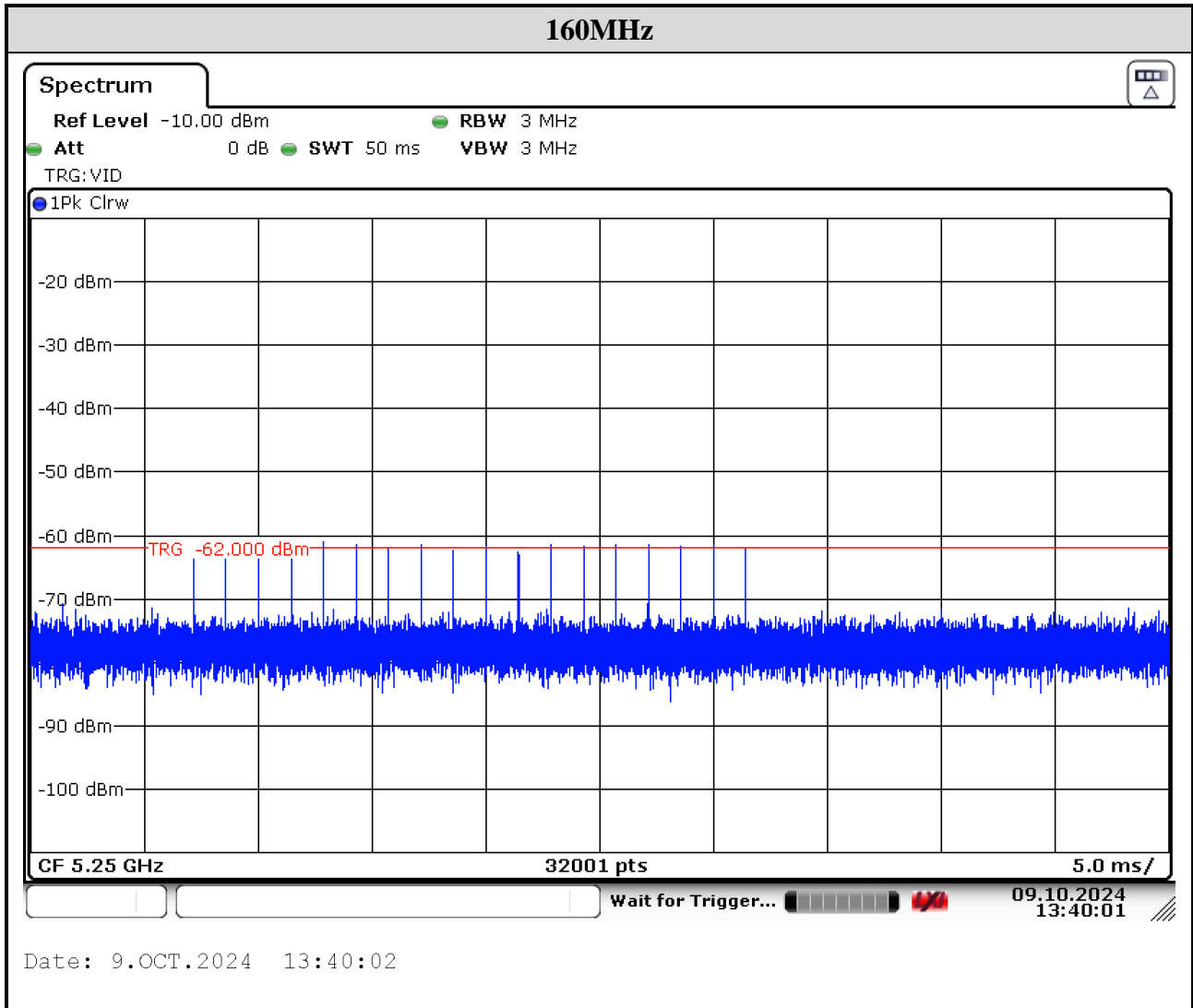
6.8. Calibration Deviation

There is no deviation with the original standard.

6.9. Radar Waveform Calibration Result

DFS detection threshold level and the burst of pulses on the Channel frequency

Test Date	2024/10/09	Temp./Hum.	23°C/53%
-----------	------------	------------	----------

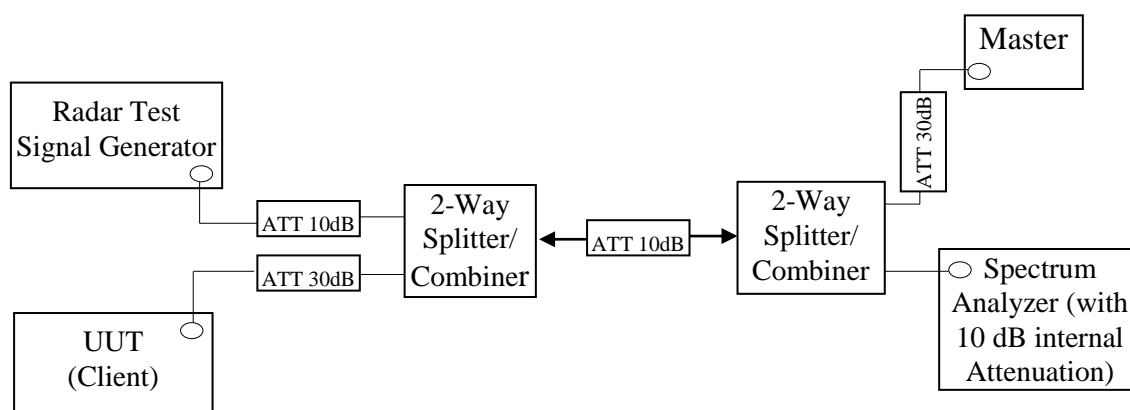


7. TEST SETUP AND TEST RESULT

7.1. Test Setup

7.1.1. Test Setup Diagram

Following is the test setup for generated the radar waveforms and used to monitor U-NII device.



7.1.2. Test Setup Operation

System testing was performed with the designated MPEG test file that streams full motion video from the Access Point to Client in full motion video mode using the media player with the V2.61 Codec package. This file is used by IP and Frame based systems for loading the test channel during the in-service compliance testing of the U-NII device.

The waveform parameters from within the bounds of the signal type are selected randomly using uniform distribution.

A spectrum analyzer is used as a monitor to verify that the EUT has vacated the Channel within the (Channel Closing Transmission Time and Channel Move Time, and does not transmit on a Channel during the Non-Occupancy Period after the detection and Channel move. It is also used to monitor EUT transmissions during the Channel Availability Check Time.

7.2. Channel Move Time, Channel Closing Transmission Time, Non-Occupancy Period, Non-Associated Client Beacon Measurement

7.2.1. Limit

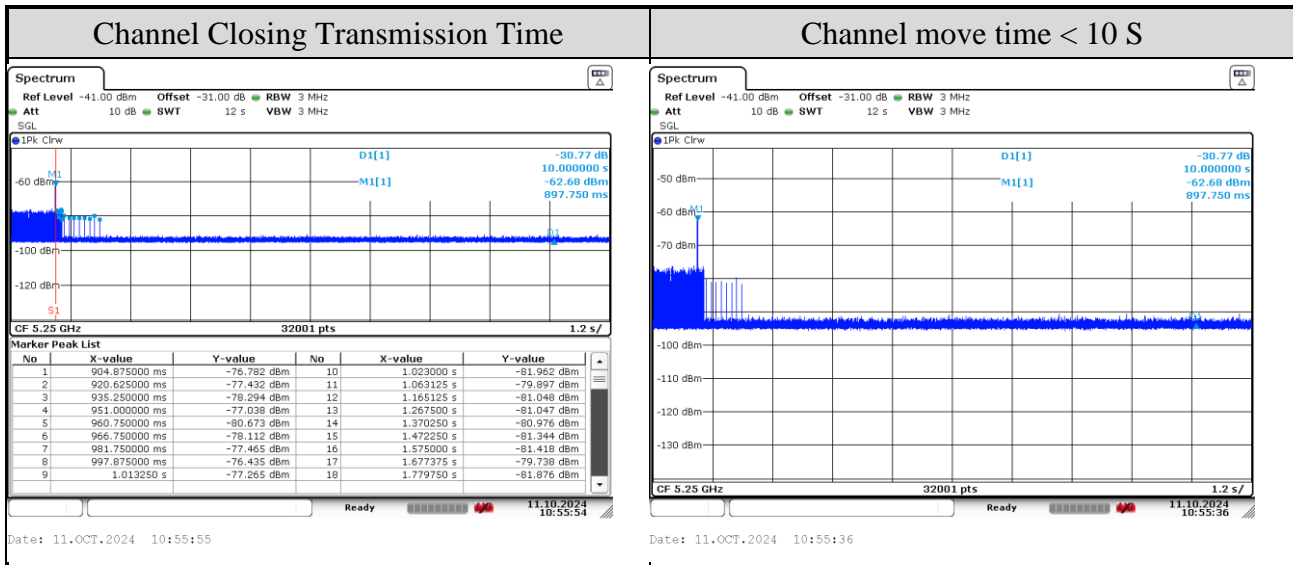
Parameter	Value
Channel Move Time	10 seconds See Note 1.
Channel Closing Transmission Time	200 milliseconds + an aggregate of 60 milliseconds over remaining 10 second period. See Notes 1 and 2.
Non-Occupancy Period	Non-Occupancy Period time is 30 minute during which a Channel will not be utilized after a Radar Waveform is detected on that Channel
Non-Associated Client Beacon	The non-associated Client Beacon Test is during the 30 minutes observation time. The EUT should not make any transmissions in the DFS band after EUT power up.
<p>Note 1: The instant that the Channel Move Time and the Channel Closing Transmission Time begins is as follows:</p> <ol style="list-style-type: none"> For the Short Pulse Radar Test Signals this instant is the end of the Burst. For the Frequency Hopping radar Test Signal, this instant is the end of the last radar Burst generated. For the Long Pulse Radar Test Signal this instant is the end of the 12 second period defining the Radar Waveform. <p>Note 2: The Channel Closing Transmission Time is comprised of 200 milliseconds starting at the beginning of the Channel Move Time plus any additional intermittent control signals required to facilitate a Channel move (an aggregate of 60 milliseconds) during the remainder of the 10 second period. The aggregate duration of control signals will not count quiet periods in between transmissions.</p>	

7.2.2. Test Procedures

- When a radar Burst with a level equal to the DFS Detection Threshold + 1dB is generated on the operating channel of the U-NII device. A U-NII device operating as a Client Device will associate with the Master of channel. Stream the MPEG test file from the Master Device to the Client Device on the selected channel for entire period of the test. At time to the radar waveform generator sends a Burst of pulses for each of the radar types at Detection Threshold + 1dB.
- Observe the transmissions of the EUT at the end of the radar Burst on the Operating channel. Measure and record the transmissions from the EUT during the observation time [Channel Move Time, Channel closing Time]. One 12 Second plot need to be reported for short Pulse Radar Types 0.
- Measure the EUT for more than 30 minutes following the channel close/move time to verify that the EUT does not resume only transmissions on this channel.

7.2.3. Test Result for Channel Closing Transmission Time & Channel Move Time

Test Date	2024/10/11	Temp./Hum.	23°C/59%
Test Mode	802.11be, 160MHz	Frequency	TX 5250MHz
		Tested By	Sam Chang

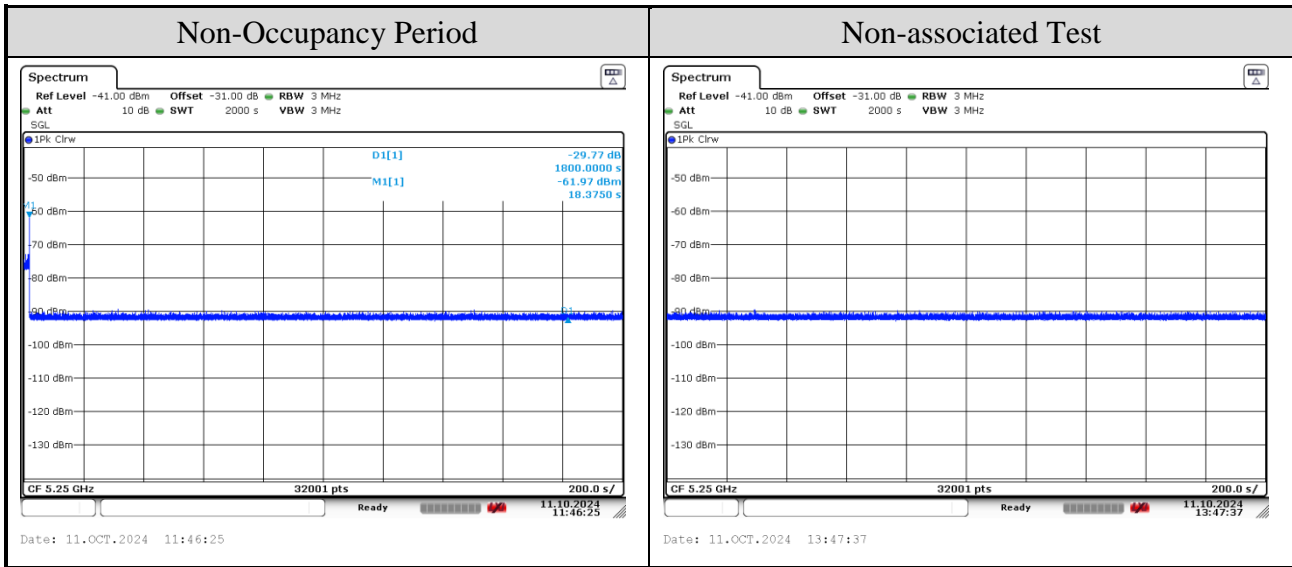


Channel Closing Transmission Time Calculated	
Sweep Time(S) sec	12
Sweep points (P)	32001
Number of Sweep points in 10 sec (N)	18
Channel Closing Time (C) ms	6.75

Channel closing time is calculated from $C=N * dwell$; where dwell is the occupancy time per sweep point calculated by the formula: $dwell=S/P$. N is the number of sweep points indicating transmission after S1; where S1 is the radar signal detected

7.2.4. Test Result for Non-Occupancy Period, Non-associated Test

Test Date	2024/10/11	Temp./Hum.	23°C/59%
Test Mode	802.11be, 160MHz	Frequency	TX 5250MHz
		Tested By	Sam Chang





APPENDIX A

TEST PHOTOGRAPHS

(Model: 17Z90TP)