

## Plots of System Verification

---

### **Annex A. Plots of System Verification**

The plots for system verification are shown as follows.

## Plots of System Verification

Test Laboratory: Bureau Veritas ADT SAR/HAC Testing Lab

Date: 2022/01/25

### S01 System Check\_H2450\_220125

DUT: Dipole 2450 MHz; Type: D2450V2; SN: 737

Communication System: UID 0, CW; Frequency: 2450 MHz; Duty Cycle: 1:1

Medium: H19T27N1\_0125 Medium parameters used:  $f = 2450$  MHz;  $\sigma = 1.794$  S/m;  $\epsilon_r = 37.887$ ;  $\rho = 1000$  kg/m<sup>3</sup>

Ambient Temperature : 23.6 °C ; Liquid Temperature : 23.1 °C

DASY5 Configuration:

- Probe: EX3DV4 - SN7537; ConvF(7.61, 7.61, 7.61) @ 2450 MHz; Calibrated: 2021/04/26
- Sensor-Surface: 1.4mm (Mechanical Surface Detection)
- Electronics: DAE4 Sn1585; Calibrated: 2021/04/15
- Phantom: ELI Phantom\_2118; Type: QD OVA 004 AA;
- Measurement SW: DASY52, Version 52.10 (4); SEMCAD X Version 14.6.14 (7483)

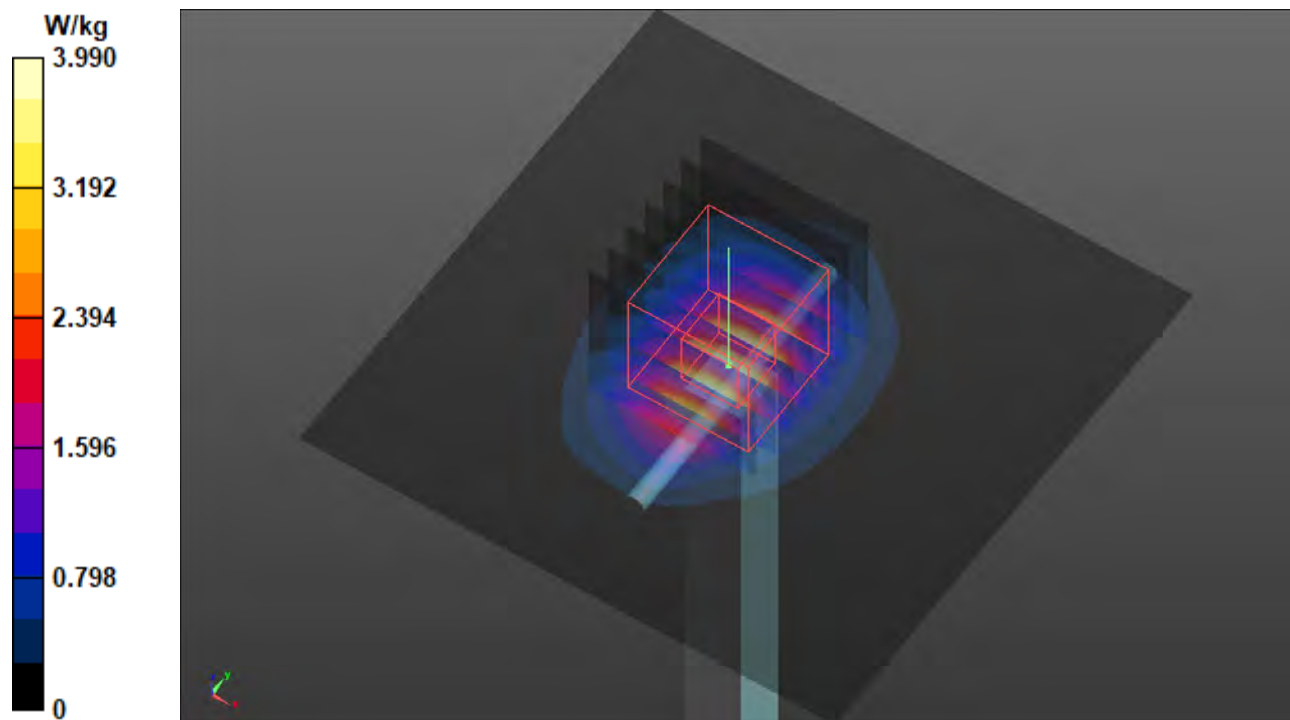
**Pin=50mW/Area Scan (81x81x1):** Interpolated grid: dx=1.200 mm, dy=1.200 mm  
Maximum value of SAR (interpolated) = 3.99 W/kg

**Pin=50mW/Zoom Scan (7x7x7)/Cube 0:** Measurement grid: dx=5mm, dy=5mm, dz=5mm  
Reference Value = 47.99 V/m; Power Drift = -0.04 dB

Peak SAR (extrapolated) = 5.01 W/kg

**SAR(1 g) = 2.44 W/kg; SAR(10 g) = 1.15 W/kg** (SAR corrected for target medium)

Maximum value of SAR (measured) = 4.07 W/kg



## Plots of System Verification

Test Laboratory: Bureau Veritas ADT SAR/HAC Testing Lab

Date: 2022/01/26

### S02 System Check\_H5250\_220126

DUT: Dipole 5 GHz; Type: D5GHzV2; SN: 1019

Communication System: UID 0, CW; Frequency: 5250 MHz; Duty Cycle: 1:1

Medium: H34T60N1\_0126 Medium parameters used:  $f = 5250$  MHz;  $\sigma = 4.78$  S/m;  $\epsilon_r = 35.347$ ;  $\rho = 1000$  kg/m<sup>3</sup>

Ambient Temperature : 23.4 °C ; Liquid Temperature : 23.2 °C

DASY5 Configuration:

- Probe: EX3DV4 - SN7537; ConvF(5.5, 5.5, 5.5) @ 5250 MHz; Calibrated: 2021/04/26
- Sensor-Surface: 1.4mm (Mechanical Surface Detection)
- Electronics: DAE4 Sn1585; Calibrated: 2021/04/15
- Phantom: ELI Phantom\_2118; Type: QD OVA 004 AA
- Measurement SW: DASY52, Version 52.10 (4); SEMCAD X Version 14.6.14 (7483)

**Pin=50mW/Area Scan (91x91x1):** Interpolated grid: dx=1.000 mm, dy=1.000 mm

Maximum value of SAR (interpolated) = 9.05 W/kg

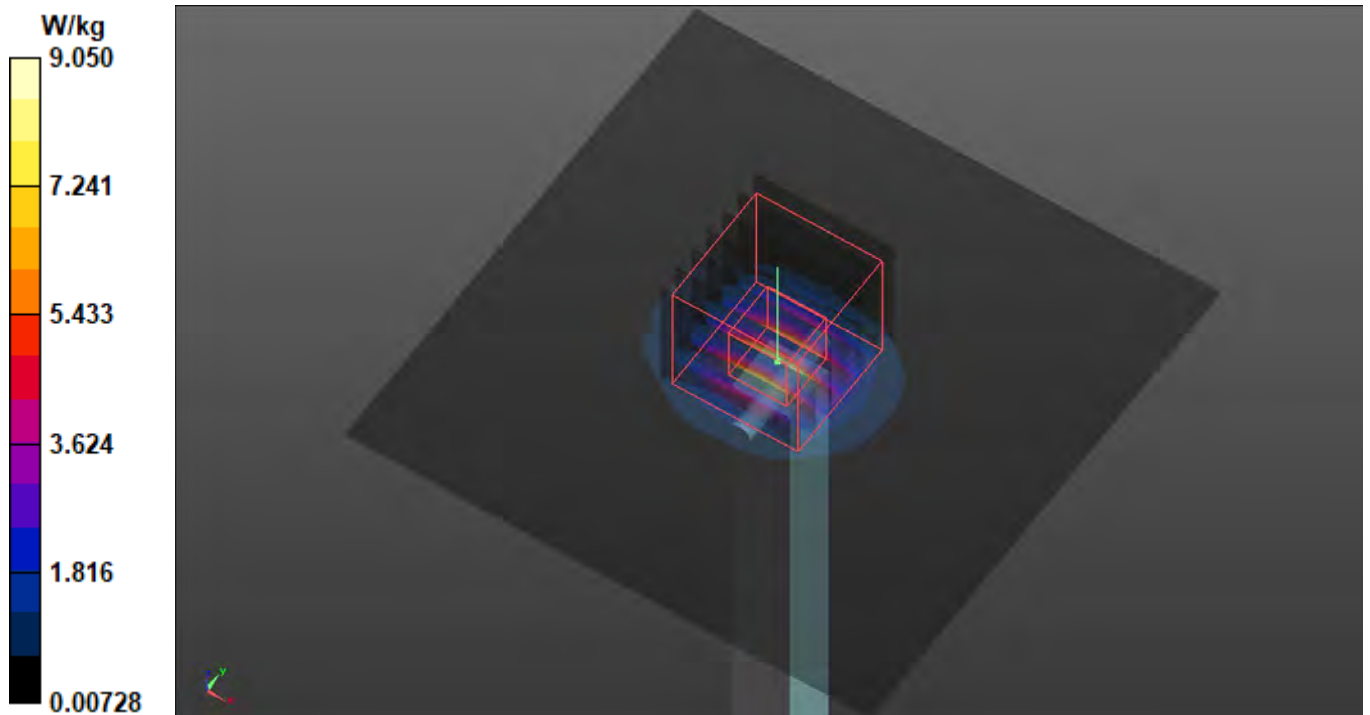
**Pin=50mW/Zoom Scan (7x7x7)/Cube 0:** Measurement grid: dx=4mm, dy=4mm, dz=1.4mm

Reference Value = 42.77 V/m; Power Drift = -0.13 dB

Peak SAR (extrapolated) = 14.8 W/kg

**SAR(1 g) = 3.88 W/kg; SAR(10 g) = 1.16 W/kg** (SAR corrected for target medium)

Maximum value of SAR (measured) = 9.48 W/kg



## Plots of System Verification

Test Laboratory: Bureau Veritas ADT SAR/HAC Testing Lab

Date: 2022/01/26

### S03 System Check\_H5600\_220126

DUT: Dipole 5 GHz; Type: D5GHzV2; SN: 1019

Communication System: UID 0, CW; Frequency: 5600 MHz; Duty Cycle: 1:1

Medium: H34T60N1\_1226 Medium parameters used:  $f = 5600$  MHz;  $\sigma = 5.159$  S/m;  $\epsilon_r = 34.746$ ;  $\rho = 1000$  kg/m<sup>3</sup>

Ambient Temperature : 23.4 °C ; Liquid Temperature : 23.2 °C

DASY5 Configuration:

- Probe: EX3DV4 - SN7537; ConvF(4.8, 4.8, 4.8) @ 5600 MHz; Calibrated: 2021/04/26
- Sensor-Surface: 1.4mm (Mechanical Surface Detection)
- Electronics: DAE4 Sn1585; Calibrated: 2021/04/15
- Phantom: ELI Phantom\_2118; Type: QD OVA 004 AA;
- Measurement SW: DASY52, Version 52.10 (4); SEMCAD X Version 14.6.14 (7483)

**Pin=50mW/Area Scan (91x91x1):** Interpolated grid: dx=1.000 mm, dy=1.000 mm

Maximum value of SAR (interpolated) = 10.6 W/kg

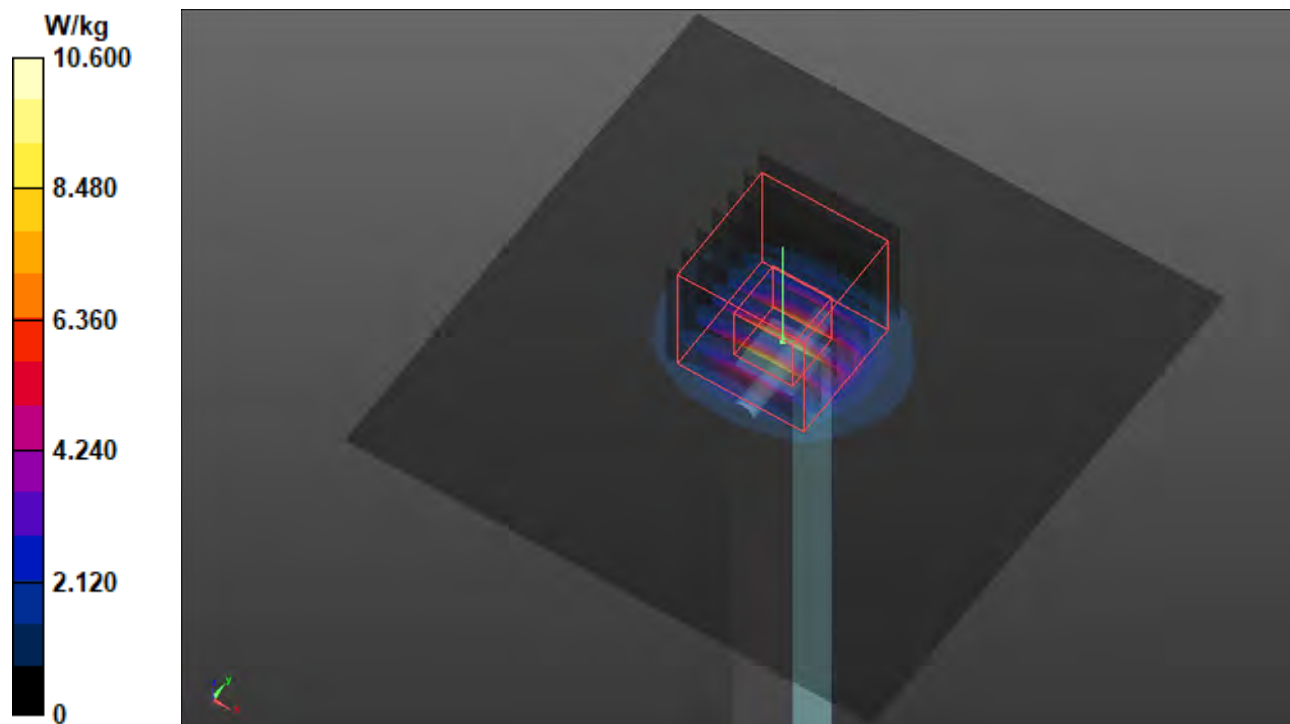
**Pin=50mW/Zoom Scan (7x7x7)/Cube 0:** Measurement grid: dx=4mm, dy=4mm, dz=1.4mm

Reference Value = 44.16 V/m; Power Drift = -0.10 dB

Peak SAR (extrapolated) = 18.2 W/kg

**SAR(1 g) = 4.37 W/kg; SAR(10 g) = 1.29 W/kg** (SAR corrected for target medium)

Maximum value of SAR (measured) = 11.1 W/kg



## Plots of System Verification

Test Laboratory: Bureau Veritas ADT SAR/HAC Testing Lab

Date: 2022/01/26

### S04 System Check\_H5750\_220126

DUT: Dipole 5 GHz; Type: D5GHzV2; SN: 1019

Communication System: UID 0, CW; Frequency: 5750 MHz; Duty Cycle: 1:1

Medium: H34T60N1\_0126 Medium parameters used:  $f = 5750$  MHz;  $\sigma = 5.313$  S/m;  $\epsilon_r = 34.366$ ;  $\rho = 1000$  kg/m<sup>3</sup>

Ambient Temperature : 23.4 °C ; Liquid Temperature : 23.2 °C

DASY5 Configuration:

- Probe: EX3DV4 - SN7537; ConvF(4.95, 4.95, 4.95) @ 5750 MHz; Calibrated: 2021/04/26
- Sensor-Surface: 1.4mm (Mechanical Surface Detection)
- Electronics: DAE4 Sn1585; Calibrated: 2021/04/15
- Phantom: ELI Phantom\_2118; Type: QD OVA 004 AA
- Measurement SW: DASY52, Version 52.10 (4); SEMCAD X Version 14.6.14 (7483)

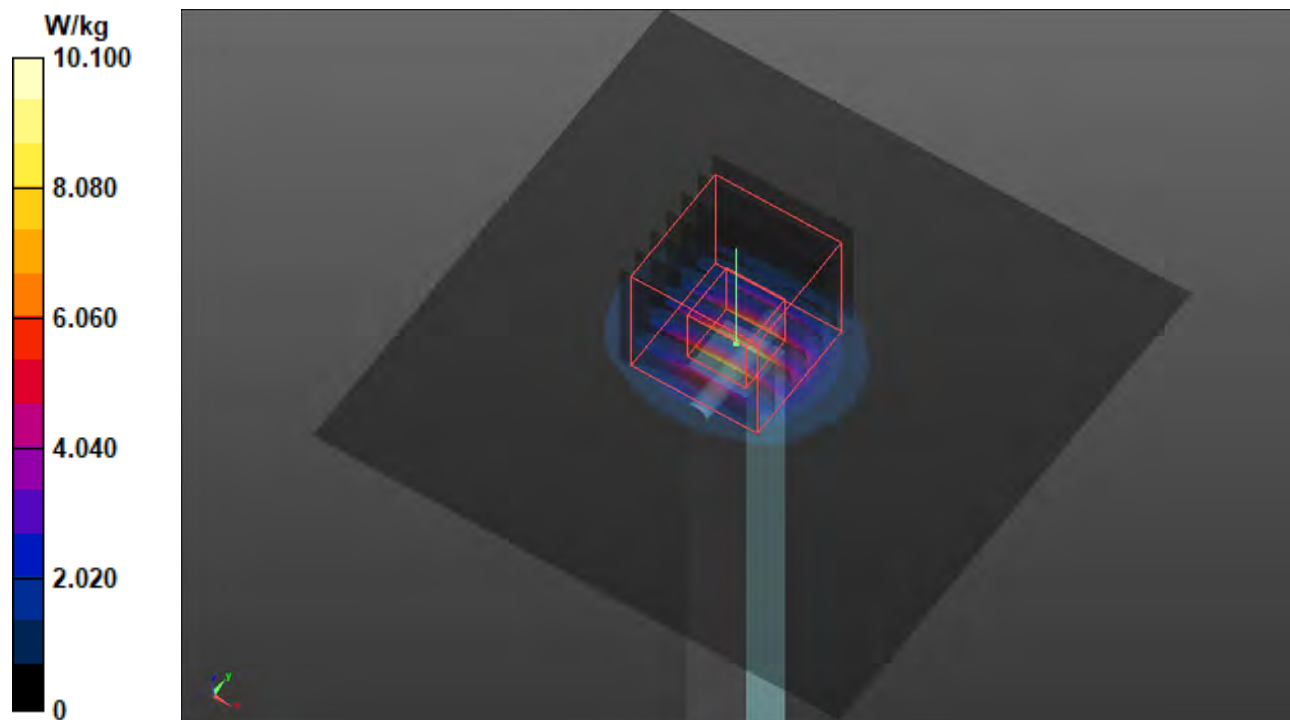
**Pin=50mW/Area Scan (91x91x1):** Interpolated grid: dx=1.000 mm, dy=1.000 mm  
Maximum value of SAR (interpolated) = 10.1 W/kg

**Pin=50mW/Zoom Scan (7x7x7)/Cube 0:** Measurement grid: dx=4mm, dy=4mm, dz=1.4mm  
Reference Value = 43.80 V/m; Power Drift = -0.02 dB

Peak SAR (extrapolated) = 17.9 W/kg

**SAR(1 g) = 4.07 W/kg; SAR(10 g) = 1.2 W/kg** (SAR corrected for target medium)

Maximum value of SAR (measured) = 10.5 W/kg



## Plots of System Verification

Test Laboratory: Bureau Veritas ADT SAR/HAC Testing Lab

Date: 2022/01/25

### S05 System Check\_H2450\_220125

DUT: Dipole 2450 MHz; Type: D2450V2; SN: 737

Communication System: UID 0, CW; Frequency: 2450 MHz; Duty Cycle: 1:1

Medium: H19T27N1\_0125 Medium parameters used:  $f = 2450$  MHz;  $\sigma = 1.794$  S/m;  $\epsilon_r = 37.887$ ;  $\rho = 1000$  kg/m<sup>3</sup>

Ambient Temperature : 23.6 °C ; Liquid Temperature : 23.1 °C

DASY5 Configuration:

- Probe: EX3DV4 - SN7537; ConvF(7.61, 7.61, 7.61) @ 2450 MHz; Calibrated: 2021/04/26
- Sensor-Surface: 1.4mm (Mechanical Surface Detection)
- Electronics: DAE4 Sn1585; Calibrated: 2021/04/15
- Phantom: ELI Phantom\_2118; Type: QD OVA 004 AA;
- Measurement SW: DASY52, Version 52.10 (4); SEMCAD X Version 14.6.14 (7483)

**Pin=50mW/Area Scan (81x81x1):** Interpolated grid: dx=1.200 mm, dy=1.200 mm

Maximum value of SAR (interpolated) = 3.99 W/kg

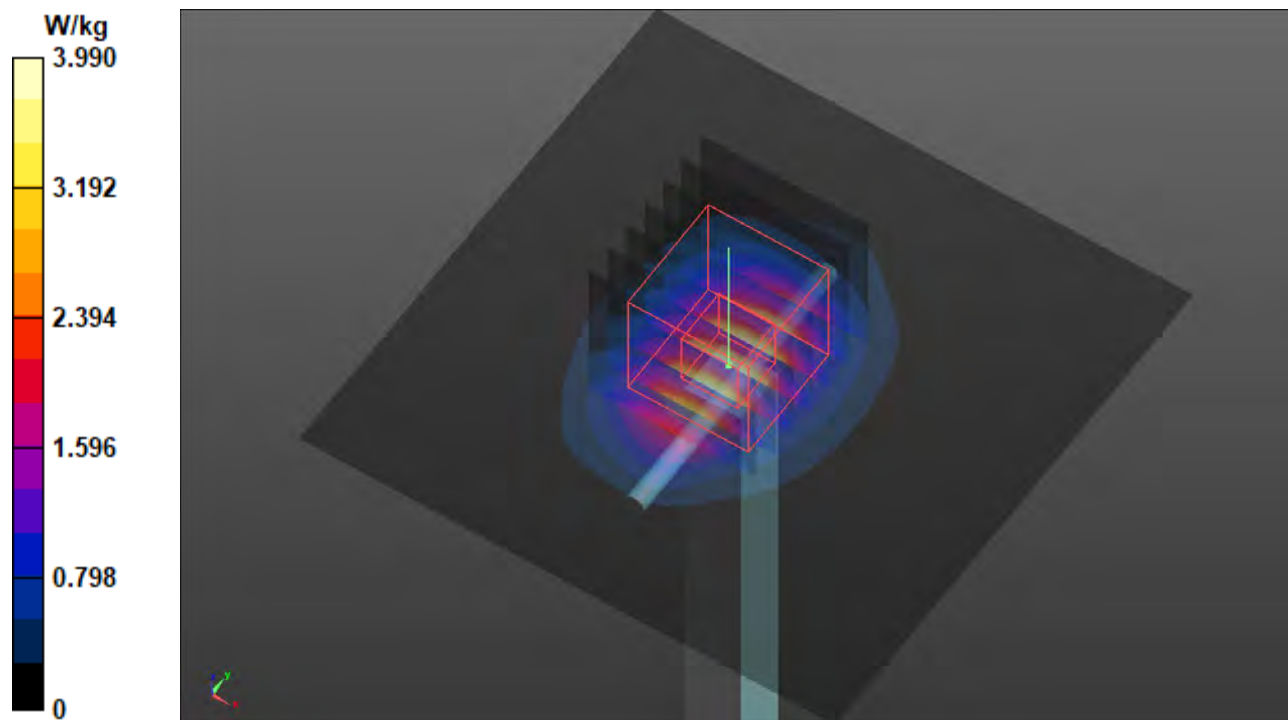
**Pin=50mW/Zoom Scan (7x7x7)/Cube 0:** Measurement grid: dx=5mm, dy=5mm, dz=5mm

Reference Value = 47.99 V/m; Power Drift = -0.04 dB

Peak SAR (extrapolated) = 5.01 W/kg

**SAR(1 g) = 2.44 W/kg; SAR(10 g) = 1.15 W/kg** (SAR corrected for target medium)

Maximum value of SAR (measured) = 4.07 W/kg



## Plots of System Verification

Measurement Report

S06 System Check\_H6.5GHz\_2022.01.24

Device under Test Properties

| Model, Manufacturer | Dimensions [mm]   | IMEI | DUT Type                |
|---------------------|-------------------|------|-------------------------|
| H6.5GHz             | 50.0 x 10.0 x 8.0 |      | 6.5GHzV2 Validation Kit |

### Exposure Conditions

| Phantom Section, TSL | Position, Test Distance [mm] | Band | Group, UID | Frequency [MHz], Channel Number | Conversion Factor | TSL Conductivity [S/m] | TSL Permittivity |
|----------------------|------------------------------|------|------------|---------------------------------|-------------------|------------------------|------------------|
| Flat, HSL            |                              |      | UID 0      | 6500                            | 5.5               | 6.18                   | 33.8             |

### Hardware Setup

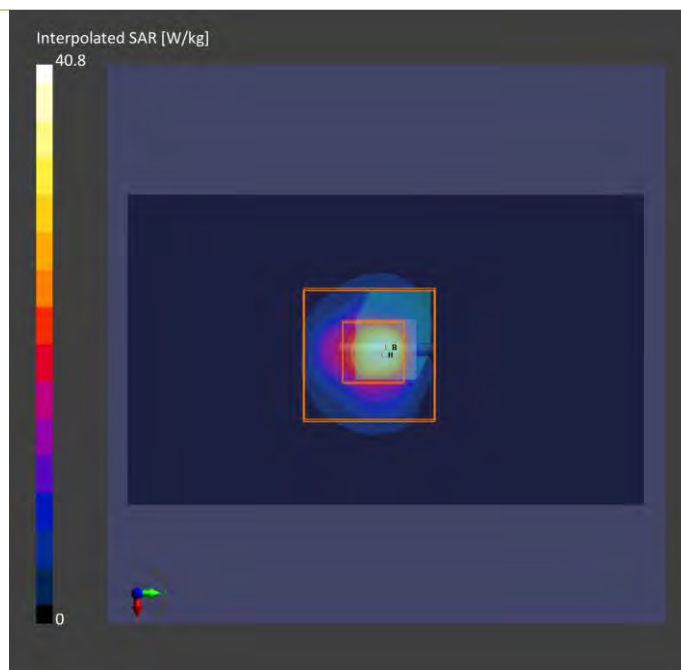
| Phantom                            | TSL, Measured Date     | Probe, Calibration Date     | DAE, Calibration Date   |
|------------------------------------|------------------------|-----------------------------|-------------------------|
| ELI V8.0 (20deg probe tilt) - 2118 | H50T72N2 , 2022-Jan-24 | EX3DV4 - SN7537, 2021-04-26 | DAE4 Sn1585, 2021-04-15 |

### Scan Setup

|                     | Area Scan   | Zoom Scan          |
|---------------------|-------------|--------------------|
| Grid Extents [mm]   | 51.0 x 85.0 | 22.0 x 22.0 x 22.0 |
| Grid Steps [mm]     | 7.5 x 7.5   | 3.4 x 3.4 x 1.4    |
| Sensor Surface [mm] | 3.0         | 1.4                |

### Measurement Results

|                  | Area Scan  | Zoom Scan  |
|------------------|------------|------------|
| Date             | 2022-01-24 | 2022-01-24 |
| psSAR1g [W/Kg]   | 22.6       | 27.3       |
| psSAR10g [W/Kg]  | 4.55       | 5.08       |
| Power Drift [dB] | -0.02      | -0.05      |



## Plots of System Verification

Test Lab: Bureau Veritas ADT SAR/HAC/PD Testing Lab

Power Density Plot No.:

**S06 PD\_System Check\_10 GHz\_2022.01.27**

Device under Test Properties

| Name, Manufacturer                      | Dimensions [mm]       | IMEI     | DUT Type |
|---|-----------------------|----------|----------|
| SPEAG, 5G Verification Source<br>10 GHz | 100.0 x 100.0 x 170.0 | SN: 1025 |          |

### Exposure Conditions

| Phantom Section | Position, Test Distance [mm] | Band            | Group, UID | Frequency [MHz], Channel Number | Conversion Factor |
|-----------------|------------------------------|-----------------|------------|---------------------------------|-------------------|
| 5GAir           | FRONT<br>5.55                | Validation band | CW<br>0    | 10000.0<br>10000                | 1.0               |

### Hardware Setup

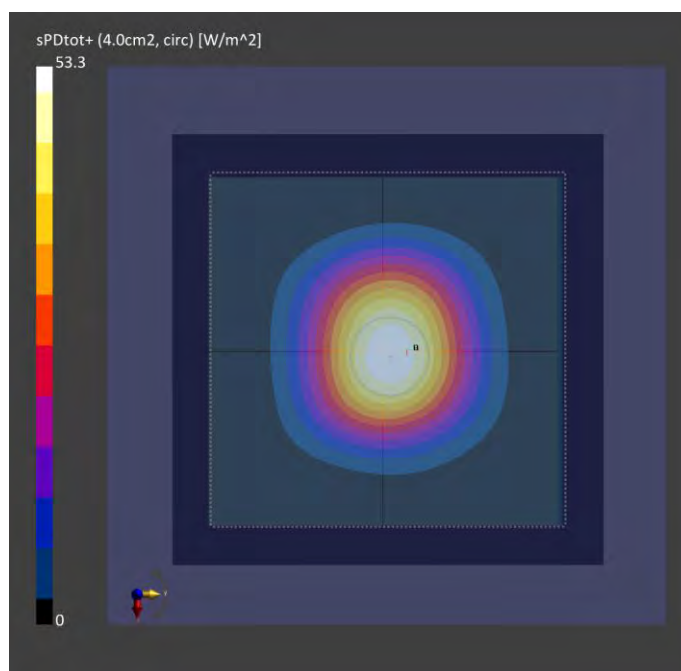
| Phantom | Medium | Probe, Calibration Date                  | DAE, Calibration Date  |
|---------|--------|--|------------------------|
| mmWave  | Air--- | EUmmWV4 - SN9438_F1-55GHz,<br>2021-07-26 | DAE4 Sn861, 2021-04-14 |

### Scan Setup

|                     | 5G Scan       |
|---------------------|---------------|
| Grid Extents [mm]   | 120.0 x 120.0 |
| Grid Steps [lambda] | 0.25 x 0.25   |
| Sensor Surface [mm] | 5.55          |

### Measurement Results

|  | 5G Scan    |
|--|------------|
| Date                                     | 2022-01-27 |
| Avg. Area [cm <sup>2</sup> ]             | 4.00       |
| pS <sub>tot</sub> avg[W/m <sup>2</sup> ] | 53.3       |
| pS <sub>n</sub> avg [W/m <sup>2</sup> ]  | 53.2       |
| E <sub>peak</sub> [V/m]                  | 148        |
| Power Drift [dB]                         | 0.03       |





### Annex B. Plots of Measurement

The SAR plots for highest measured SAR in each exposure configuration, wireless mode and frequency band combination are shown as follows.

## Plots of Measurement

Test Laboratory: Bureau Veritas ADT SAR/HAC Testing Lab

Date: 2022/01/25

### P01 WLAN2.4G\_802.11b\_Bottom-Laptop\_0mm\_Ch1\_Antenna Manufacturer Pulse\_Ant 0

DUT: BEQF-WTW-P22010504

Communication System: UID 10012 - CAB, IEEE 802.11b WiFi 2.4 GHz (DSSS, 1 Mbps); Frequency: 2412 MHz; Duty Cycle: 1:1.01

Medium: H19T27N4\_0125 Medium parameters used:  $f = 2412$  MHz;  $\sigma = 1.767$  S/m;  $\epsilon_r = 37.945$ ;  $\rho = 1000$  kg/m<sup>3</sup>

Ambient Temperature : 23.6 °C ; Liquid Temperature : 23.1 °C

DASY5 Configuration:

- Probe: EX3DV4 - SN7537; ConvF(7.61, 7.61, 7.61) @ 2412 MHz; Calibrated: 2021/04/26
- Sensor-Surface: 1.4mm (Mechanical Surface Detection)
- Electronics: DAE4 Sn1585; Calibrated: 2021/04/15
- Phantom: ELI Phantom\_2118; Type: QD OVA 004 AA;
- Measurement SW: DASY52, Version 52.10 (4); SEMCAD X Version 14.6.14 (7483)

**Area Scan (71x291x1):** Interpolated grid: dx=1.200 mm, dy=1.200 mm  
Maximum value of SAR (interpolated) = 1.71 W/kg

**Zoom Scan (7x7x7)/Cube 0:** Measurement grid: dx=5mm, dy=5mm, dz=5mm

Reference Value = 26.54 V/m; Power Drift = -0.01 dB

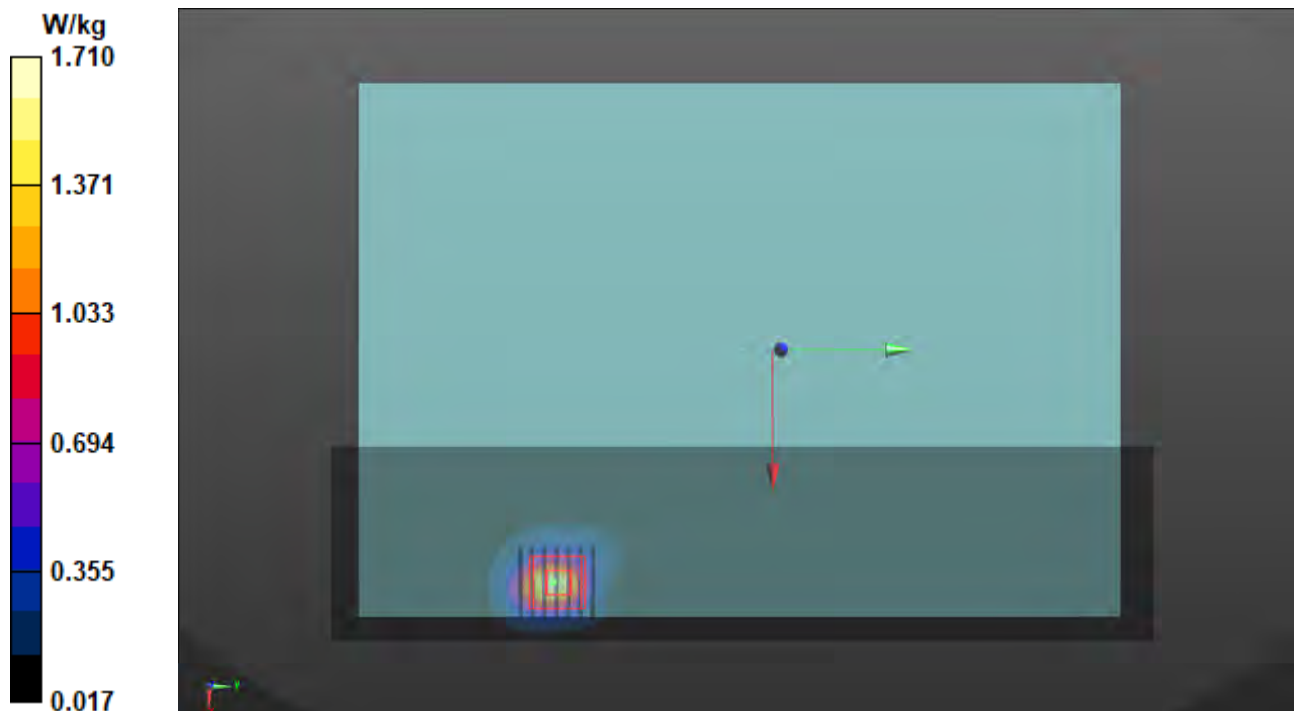
Peak SAR (extrapolated) = 3.84 W/kg

**SAR(1 g) = 1.12 W/kg; SAR(10 g) = 0.497 W/kg** (SAR corrected for target medium)

Smallest distance from peaks to all points 3 dB below = 5.7 mm

Ratio of SAR at M2 to SAR at M1 = 37.6%

Maximum value of SAR (measured) = 2.55 W/kg



## Plots of Measurement

Test Laboratory: Bureau Veritas ADT SAR/HAC Testing Lab

Date: 2022/01/26

**P02 WLAN5.3G\_802.11ac\_VHT160\_Bottom-Laptop\_0mm\_Ch50\_Antenna Manufacturer Pulse\_Ant 0+1**

DUT: BEQF-WTW-P22010504

Communication System: UID 10554 - AAD, IEEE 802.11ac WiFi (160MHz, MCS0); Frequency: 5250 MHz; Duty Cycle: 1:1.02

Medium: H34T60N1\_0126 Medium parameters used:  $f = 5250$  MHz;  $\sigma = 4.78$  S/m;  $\epsilon_r = 35.347$ ;  $\rho = 1000$  kg/m<sup>3</sup>

Ambient Temperature : 23.5 °C ; Liquid Temperature : 23.3 °C

DASY5 Configuration:

- Probe: EX3DV4 - SN7537; ConvF(5.5, 5.5, 5.5) @ 5250 MHz; Calibrated: 2021/04/26
- Sensor-Surface: 1.4mm (Mechanical Surface Detection)
- Electronics: DAE4 Sn1585; Calibrated: 2021/04/15
- Phantom: ELI Phantom\_2118; Type: QD OVA 004 AA;
- Measurement SW: DASY52, Version 52.10 (4); SEMCAD X Version 14.6.14 (7483)

**Area Scan (81x341x1):** Interpolated grid: dx=1.000 mm, dy=1.000 mm

Maximum value of SAR (interpolated) = 2.28 W/kg

**Zoom Scan (7x7x7)/Cube 0:** Measurement grid: dx=4mm, dy=4mm, dz=1.4mm

Reference Value = 22.58 V/m; Power Drift = -0.10 dB

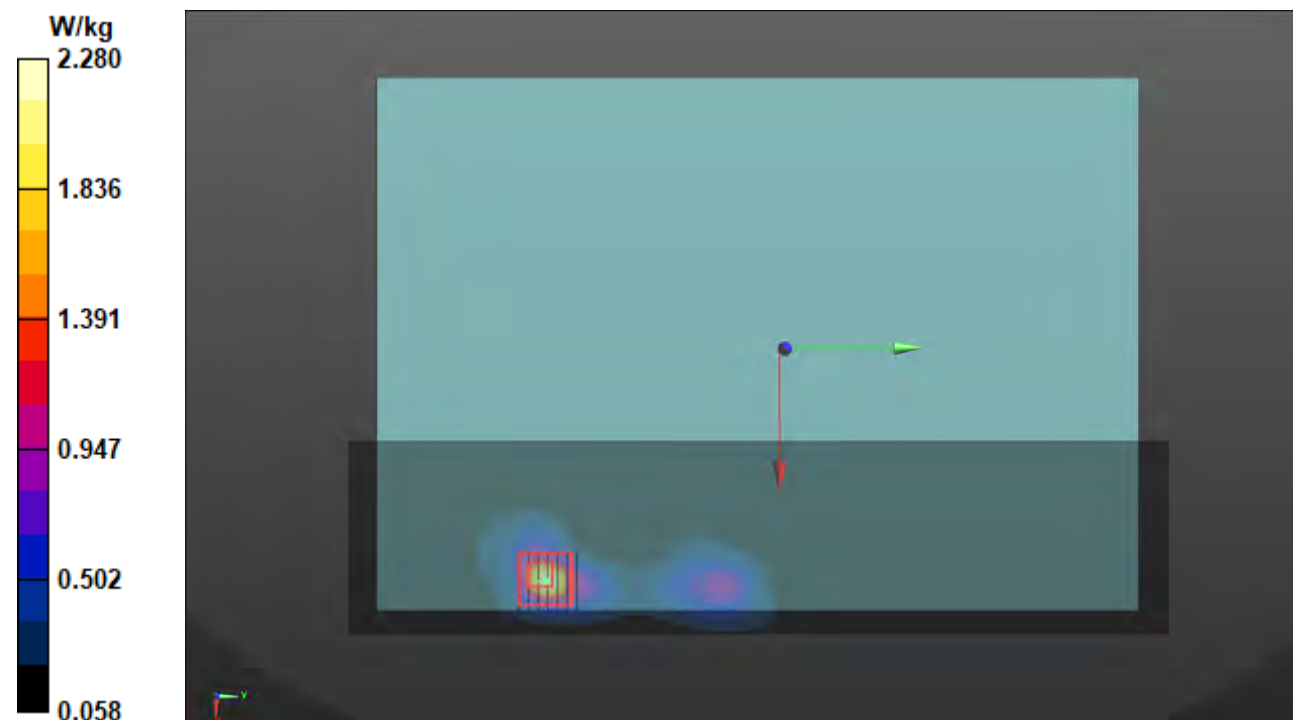
Peak SAR (extrapolated) = 4.86 W/kg

**SAR(1 g) = 1.14 W/kg; SAR(10 g) = 0.404 W/kg** (SAR corrected for target medium)

Smallest distance from peaks to all points 3 dB below = 5.1 mm

Ratio of SAR at M2 to SAR at M1 = 63.8%

Maximum value of SAR (measured) = 2.49 W/kg



## Plots of Measurement

Test Laboratory: Bureau Veritas ADT SAR/HAC Testing Lab

Date: 2022/01/26

### P03 WLAN5.6G\_802.11ac\_VHT160\_Bottom-Laptop\_0mm\_Ch114\_Antenna Manufacturer Pulse\_Ant 0

DUT: BEQF-WTW-P22010504

Communication System: UID 10554 - AAD, IEEE 802.11ac WiFi (160MHz, MCS0); Frequency: 5570 MHz; Duty Cycle: 1:1.03

Medium: H34T60N1\_0126 Medium parameters used:  $f = 5570$  MHz;  $\sigma = 5.134$  S/m;  $\epsilon_r = 34.782$ ;  $\rho = 1000$  kg/m<sup>3</sup>

Ambient Temperature : 23.5 °C ; Liquid Temperature : 23.3 °C

DASY5 Configuration:

- Probe: EX3DV4 - SN7537; ConvF(4.8, 4.8, 4.8) @ 5570 MHz; Calibrated: 2021/04/26
- Sensor-Surface: 1.4mm (Mechanical Surface Detection)
- Electronics: DAE4 Sn1585; Calibrated: 2021/04/15
- Phantom: ELI Phantom\_2118; Type: QD OVA 004 AA;
- Measurement SW: DASY52, Version 52.10 (4); SEMCAD X Version 14.6.14 (7483)

**Area Scan (81x341x1):** Interpolated grid: dx=1.000 mm, dy=1.000 mm

Maximum value of SAR (interpolated) = 2.53 W/kg

**Zoom Scan (7x7x7)/Cube 0:** Measurement grid: dx=4mm, dy=4mm, dz=1.4mm

Reference Value = 25.00 V/m; Power Drift = -0.15 dB

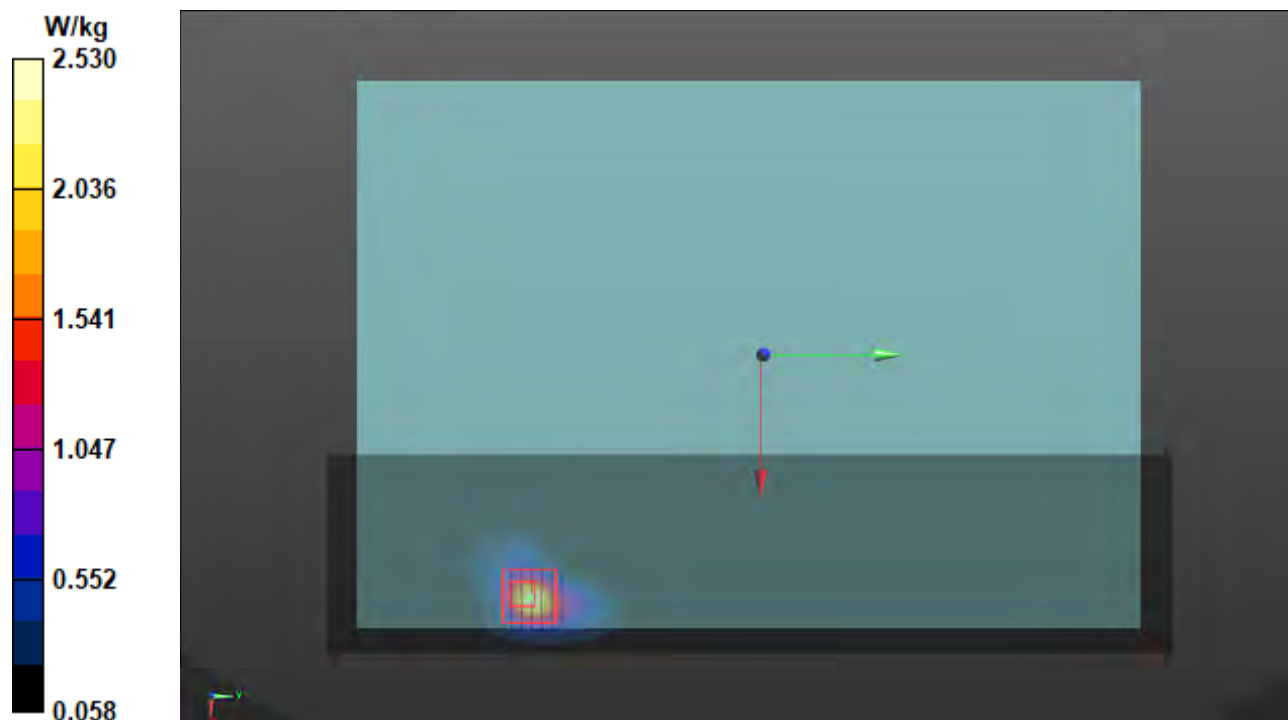
Peak SAR (extrapolated) = 6.13 W/kg

**SAR(1 g) = 1.09 W/kg; SAR(10 g) = 0.405 W/kg** (SAR corrected for target medium)

Smallest distance from peaks to all points 3 dB below = 4.8 mm

Ratio of SAR at M2 to SAR at M1 = 61.7%

Maximum value of SAR (measured) = 3.15 W/kg



## Plots of Measurement

Test Laboratory: Bureau Veritas ADT SAR/HAC Testing Lab

Date: 2022/01/26

**P04 WLAN5.8G\_802.11ac VHT80\_Bottom-Laptop\_0mm\_Ch155\_Antenna Manufacturer Pulse\_Ant 0+1**

DUT: BEQF-WTW-P22010504

Communication System: UID 10544 - AAC, IEEE 802.11ac WiFi (80MHz, MCS0); Frequency: 5775 MHz; Duty Cycle: 1:1.01

Medium: H34T60N1\_0126 Medium parameters used:  $f = 5775$  MHz;  $\sigma = 5.354$  S/m;  $\epsilon_r = 34.336$ ;  $\rho = 1000$  kg/m<sup>3</sup>

Ambient Temperature : 23.4 °C ; Liquid Temperature : 23.2 °C

DASY5 Configuration:

- Probe: EX3DV4 - SN7537; ConvF(4.95, 4.95, 4.95) @ 5775 MHz; Calibrated: 2021/04/26
- Sensor-Surface: 1.4mm (Mechanical Surface Detection)
- Electronics: DAE4 Sn1585; Calibrated: 2021/04/15
- Phantom: ELI Phantom\_2118; Type: QD OVA 004 AA;
- Measurement SW: DASY52, Version 52.10 (4); SEMCAD X Version 14.6.14 (7483)

**Area Scan (81x341x1):** Interpolated grid: dx=1.000 mm, dy=1.000 mm

Maximum value of SAR (interpolated) = 1.91 W/kg

**Zoom Scan (7x7x7)/Cube 0:** Measurement grid: dx=4mm, dy=4mm, dz=1.4mm

Reference Value = 19.10 V/m; Power Drift = -0.11 dB

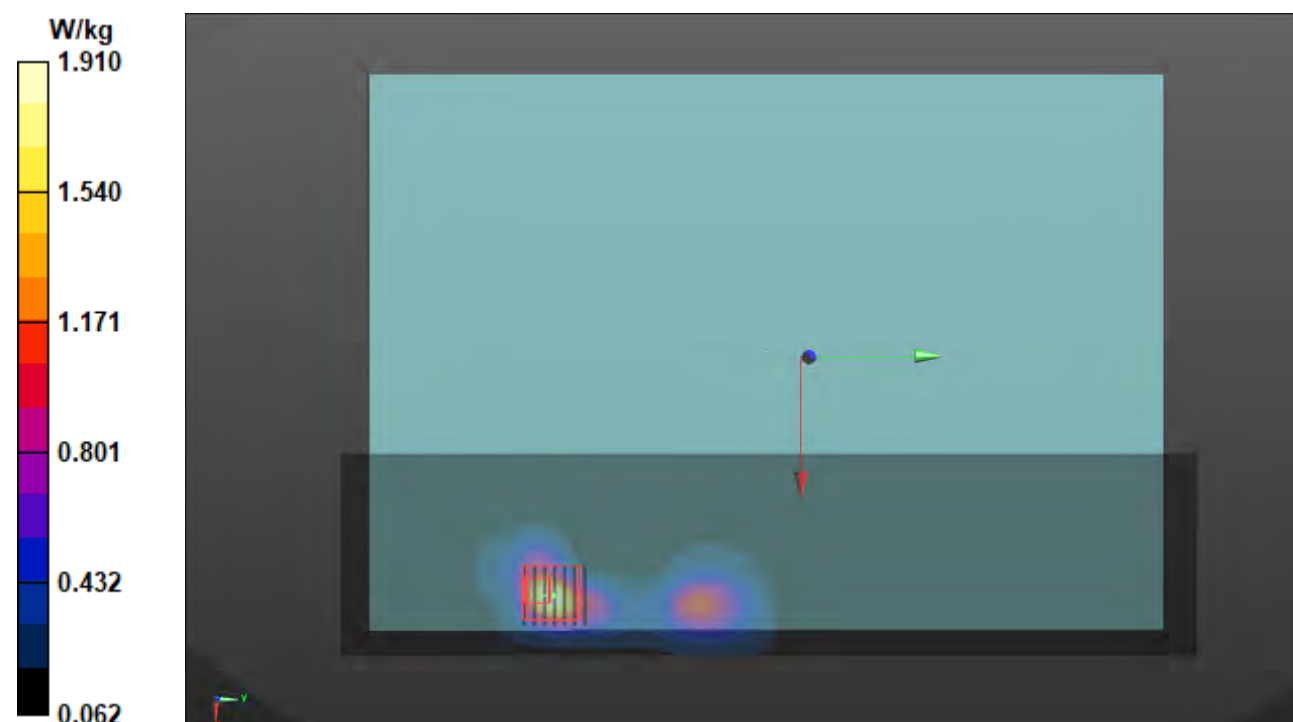
Peak SAR (extrapolated) = 5.83 W/kg

**SAR(1 g) = 1.12 W/kg; SAR(10 g) = 0.377 W/kg** (SAR corrected for target medium)

Smallest distance from peaks to all points 3 dB below = 4.8 mm

Ratio of SAR at M2 to SAR at M1 = 62.4%

Maximum value of SAR (measured) = 3.13 W/kg



## Plots of Measurement

Test Laboratory: Bureau Veritas ADT SAR/HAC Testing Lab

Date: 2022/01/25

### P05 BT\_BDR\_Bottom Side\_0mm\_Ch78\_Antenna Manufacturer Pulse\_Ant 1

DUT: BEQF-WTW-P22010504

Communication System: UID 10032 - CAA, IEEE 802.15.1 Bluetooth (GFSK, DH5); Frequency: 2480 MHz; Duty Cycle: 1:1.3

Medium: H19T27N1\_0125 Medium parameters used:  $f = 2480$  MHz;  $\sigma = 1.815$  S/m;  $\epsilon_r = 37.819$ ;  $\rho = 1000$  kg/m<sup>3</sup>

Ambient Temperature : 23.6 °C ; Liquid Temperature : 23.1 °C

DASY5 Configuration:

- Probe: EX3DV4 - SN7537; ConvF(7.61, 7.61, 7.61) @ 2480 MHz; Calibrated: 2021/04/26
- Sensor-Surface: 1.4mm (Mechanical Surface Detection)
- Electronics: DAE4 Sn1585; Calibrated: 2021/04/15
- Phantom: ELI Phantom\_2118; Type: QD OVA 004 AA;
- Measurement SW: DASY52, Version 52.10 (4); SEMCAD X Version 14.6.14 (7483)

**Area Scan (71x291x1):** Interpolated grid: dx=1.200 mm, dy=1.200 mm  
Maximum value of SAR (interpolated) = 0.547 W/kg

**Zoom Scan (7x7x7)/Cube 0:** Measurement grid: dx=5mm, dy=5mm, dz=5mm

Reference Value = 17.75 V/m; Power Drift = 0.04 dB

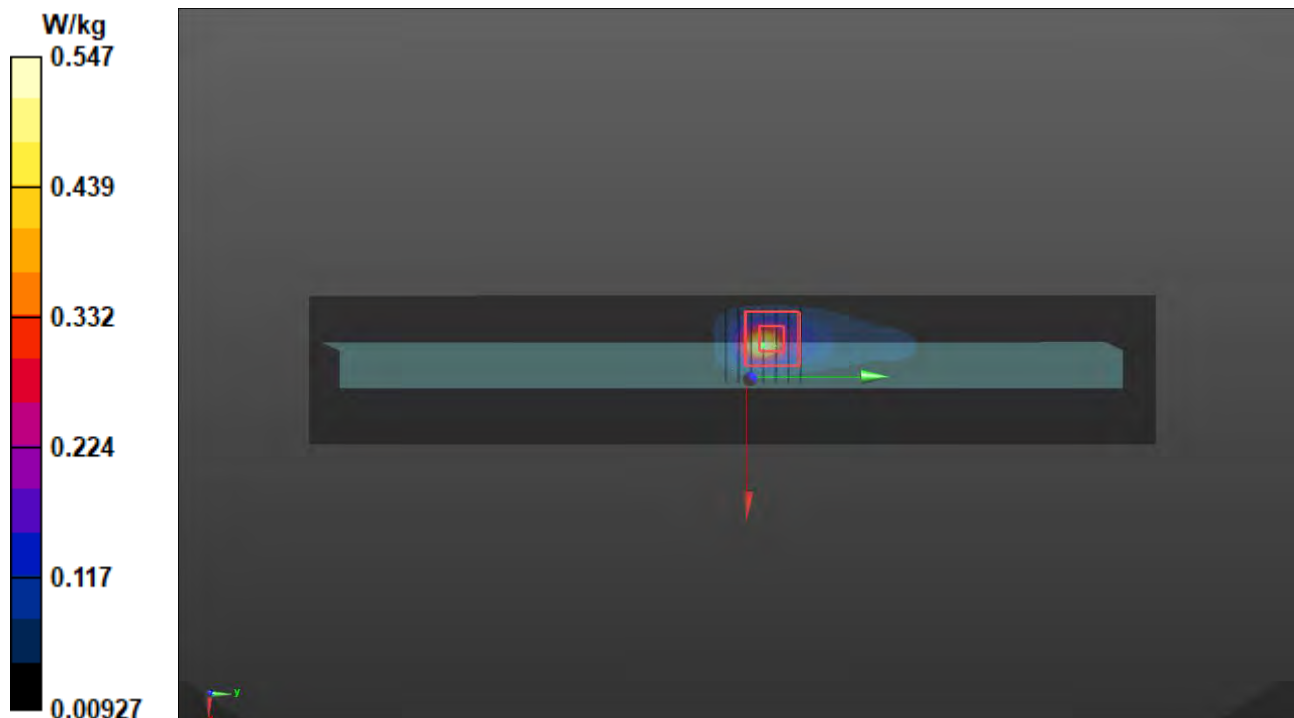
Peak SAR (extrapolated) = 0.992 W/kg

**SAR(1 g) = 0.312 W/kg; SAR(10 g) = 0.112 W/kg** (SAR corrected for target medium)

Smallest distance from peaks to all points 3 dB below = 5.4 mm

Ratio of SAR at M2 to SAR at M1 = 37.2%

Maximum value of SAR (measured) = 0.607 W/kg



# Plots of Measurement

## Measurement Report

**P06 UNII-7\_802.11ax HE160\_Bottom Side\_Ch143\_Sample Pulse\_Ant 1**

### Device under Test Properties

| Model, Manufacturer | Dimensions [mm]      | IMEI | DUT Type |
|---------------------|----------------------|------|----------|
| BEQF-WTW-P22010504  | 310.0 x 220.0 x 12.0 |      | Tablet   |

### Exposure Conditions

| Phantom Section, TSL | Position, Test Distance [mm] | Band    | Group, UID      | Frequency [MHz], Channel Number | Conversion Factor | TSL Conductivity [S/m] | TSL Permittivity |
|----------------------|------------------------------|---------|-----------------|---------------------------------|-------------------|------------------------|------------------|
| Flat, HSL            | Bottom Side 0                | U-NII-7 | WLAN, 10755-AAC | 6665.0, 143                     | 5.5               | 6.31                   | 33.2             |

### Hardware Setup

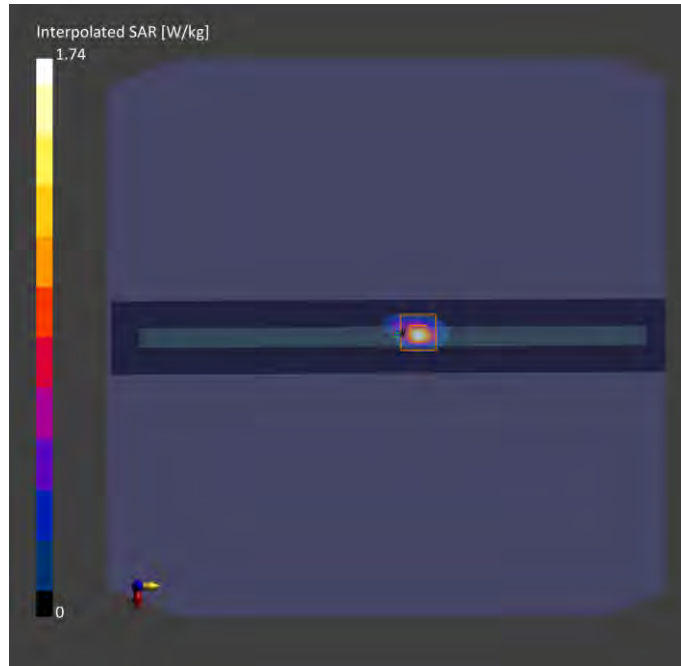
| Phantom                            | TSL, Measured Date     | Probe, Calibration Date     | DAE, Calibration Date   |
|------------------------------------|------------------------|-----------------------------|-------------------------|
| ELI V8.0 (20deg probe tilt) - 2118 | H50T72N2 , 2022-Jan-24 | EX3DV4 - SN7537, 2021-04-26 | DAE4 Sn1585, 2021-04-15 |

### Scan Setup

|                     | Area Scan    | Zoom Scan          |
|---------------------|--------------|--------------------|
| Grid Extents [mm]   | 45.0 x 345.0 | 22.0 x 22.0 x 22.0 |
| Grid Steps [mm]     | 7.5 x 7.5    | 3.4 x 3.4 x 1.4    |
| Sensor Surface [mm] | 3.0          | 1.4                |

### Measurement Results

|                  | Area Scan  | Zoom Scan  |
|------------------|------------|------------|
| Date             | 2022-01-24 | 2022-01-24 |
| psSAR1g [W/kg]   | 1.06       | 1.09       |
| psSAR10g [W/kg]  | 0.258      | 0.231      |
| Power Drift [dB] | -0.16      | 0.03       |



# Plots of Measurement

Test Lab: Bureau Veritas ADT SAR/HAC/PD Testing Lab

Power Density Plot No.:

P06 UNII-7\_802.11ax HE160\_Bottom Side\_0mm\_Ch143\_Antenna Manufacturer Pulse\_Ant 1

### Device under Test Properties

| Name, Manufacturer | Dimensions [mm]      | IMEI | DUT Type |
|--------------------|----------------------|------|----------|
| BEQF-WTW-P22010504 | 310.0 x 210.0 x 12.0 |      | Tablet   |

### Exposure Conditions

| Phantom Section | Position, Test Distance [mm] | Band    | Group, UID    | Frequency [MHz], Channel Number | Conversion Factor |
|-----------------|------------------------------|---------|---------------|---------------------------------|-------------------|
| 5GAir           | Botom Side<br>2.00           | U-NII-7 | WLAN<br>10755 | 6665.0<br>143                   | 1.0               |

### Hardware Setup

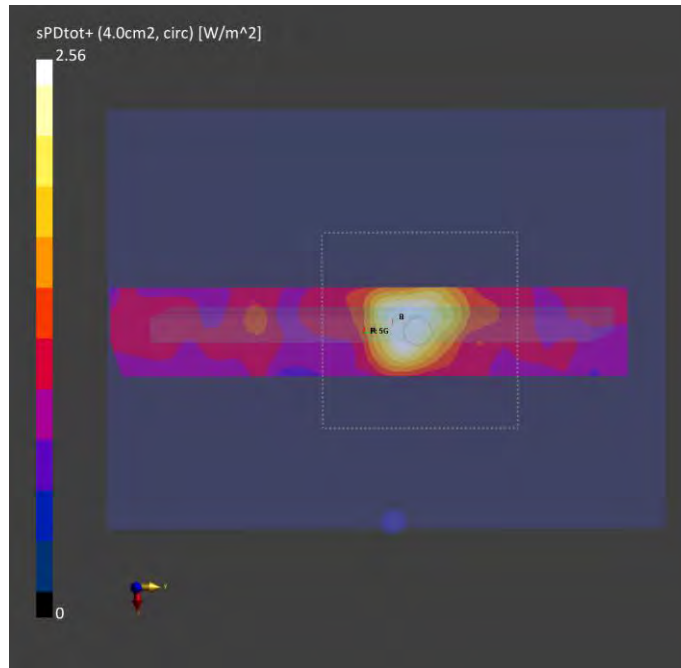
| Phantom | Medium | Probe, Calibration Date                  | DAE, Calibration Date  |
|---------|--------|--|------------------------|
| mmWave  | Air--- | EUmmWV4 - SN9438_F1-55GHz,<br>2021-07-26 | DAE4 Sn861, 2021-04-14 |

### Scan Setup

|                     | 5G Scan       |
|---------------------|---------------|
| Grid Extents [mm]   | 120.0 x 120.0 |
| Grid Steps [lambda] | 0.25 x 0.25   |
| Sensor Surface [mm] | 2.0           |

### Measurement Results

|                              | 5G Scan    |
|------------------------------|------------|
| Date                         | 2022-01-27 |
| Avg. Area [cm <sup>2</sup> ] | 4.00       |
| pStotavg[W/m <sup>2</sup> ]  | 2.13       |
| pSnavg [W/m <sup>2</sup> ]   | 2.01       |
| E <sub>peak</sub> [V/m]      | 41.0       |
| Power Drift [dB]             | -0.03      |





## **Annex C. Tissue & System Verification**

The measuring results for tissue simulating liquid and system check are shown as below.

Note:

1. For Section 4.3, the dielectric properties of the tissue simulating liquid have been measured within 24 hours before the SAR testing and within  $\pm 10\%$  of the target values. Liquid temperature during the SAR testing has kept within  $\pm 2^\circ\text{C}$ .
2. For Section 4.4, The SAR measurement system was validated according to procedures in KDB 865664 D01. The validation status in tabulated summary is as below.
3. For Section 4.5, Comparing to the reference SAR value provided by SPEAG in dipole calibration certificate, the deviation of system check results is within its specification of 10%. The result indicates the system check can meet the variation criterion and the plots please refer to Annex A of this report.

| Tissue Verification |                 |                   |                  |                                |                           |   |                            |  | Validation for CW |                 |                | Validation for Modulation |             |      | Date          | System Validation |                        |                        |                          |               | Note       |           |         |                   |
|---------------------|-----------------|-------------------|------------------|--------------------------------|---------------------------|---|----------------------------|--|-------------------|-----------------|----------------|---------------------------|-------------|------|---------------|-------------------|------------------------|------------------------|--------------------------|---------------|------------|-----------|---------|-------------------|
| Plot No.            | Frequency (MHz) | Liquid Temp. (°C) | Conductivity (σ) | Permittivity (ε <sub>r</sub> ) | Targeted Conductivity (σ) | Targeted Permittivity (ε <sub>r</sub> ) | Deviation Conductivity (σ) | Deviation Permittivity (ε <sub>r</sub> ) | Sensitivity Range | Probe Linearity | Probe Isotropy | Modulation Type           | Duty Factor | PAR  |               | Frequency (MHz)   | Targeted 1g SAR (W/kg) | Measured 1g SAR (W/kg) | Normalized 1g SAR (W/kg) | Deviation (%) | Dipole S/N | Probe S/N | DAE S/N | Output Power (dB) |
| S01                 | 2450            | 23.1              | 1.794            | 37.887                         | 1.8                       | 39.2                                    | -0.33                      | -3.35                                    | Pass              | Pass            | Pass           | OFDM                      | N/A         | Pass | Jan. 25, 2022 | 2450              | 52.60                  | 2.44                   | 48.68                    | -7.44         | 737        | 7537      | 1585    | 17                |
| S02                 | 5250            | 23.2              | 4.78             | 35.347                         | 4.71                      | 35.9                                    | 1.49                       | -1.54                                    | Pass              | Pass            | Pass           | OFDM                      | N/A         | Pass | Jan. 26, 2022 | 5250              | 80.60                  | 3.88                   | 77.42                    | -3.95         | 1019       | 7537      | 1585    | 17                |
| S03                 | 5600            | 23.2              | 5.159            | 34.746                         | 5.07                      | 35.5                                    | 1.76                       | -2.12                                    | Pass              | Pass            | Pass           | OFDM                      | N/A         | Pass | Jan. 26, 2022 | 5600              | 82.40                  | 4.37                   | 87.19                    | 5.82          | 1019       | 7537      | 1585    | 17                |
| S04                 | 5750            | 23.2              | 5.313            | 34.366                         | 5.22                      | 35.4                                    | 1.78                       | -2.92                                    | Pass              | Pass            | Pass           | OFDM                      | N/A         | Pass | Jan. 26, 2022 | 5750              | 79.40                  | 4.07                   | 81.21                    | 2.28          | 1019       | 7537      | 1585    | 17                |
| S05                 | 2450            | 23.1              | 1.794            | 37.887                         | 1.8                       | 39.2                                    | -0.33                      | -3.35                                    | Pass              | Pass            | Pass           | OFDM                      | N/A         | Pass | Jan. 25, 2022 | 2450              | 52.60                  | 2.44                   | 48.68                    | -7.44         | 737        | 7537      | 1585    | 17                |
| S06                 | 6500            | 23.3              | 6.18             | 33.8                           | 6.07                      | 34.5                                    | 1.81                       | -2.03                                    | Pass              | Pass            | Pass           | OFDM                      | N/A         | Pass | Jan. 24, 2022 | 6500              | 290.00                 | 27.3                   | 273.00                   | -5.86         | 1029       | 7537      | 1585    | 20                |

| Plot No. | Test Date     | Frequency [GHz] | mmWave Probe S/N | Verification Source S/N | Averaging Area [cm <sup>2</sup> ] | Distance [mm] | Target Power Density [W/m <sup>2</sup> ] | Measured Power Density [W/m <sup>2</sup> ] | Deviation [%] |
|----------|---------------|-----------------|------------------|-------------------------|-----------------------------------|---------------|--|--|---------------|
| S06      | Jan. 27, 2022 | 10              | 9438             | 1025                    | 4                                 | 10.0          | 51.3                                     | 53.3                                       | 3.90%         |

## **Annex D. Maximum Target Conducted Power**

The maximum conducted average power (Unit: dBm) including tune-up tolerance is shown as below.

| Tune-up Power - Laptop Mode |         |           |                           |                           |                       |                       |                                |
|-----------------------------|---------|-----------|---------------------------|---------------------------|-----------------------|-----------------------|--------------------------------|
| WLAN 2.4GHz                 |         |           |                           |                           |                       |                       |                                |
| Mode                        | Channel | Frequency | SISO Ant 0<br>Max Tune up | SISO Ant 1<br>Max Tune up | MIMO Ant 0<br>Tune up | MIMO Ant 1<br>Tune up | MIMO Ant<br>0+1<br>Max Tune up |
| 802.11b                     | 1       | 2412      | 19.0                      | 19.0                      | -                     | -                     | -                              |
|                             | 6       | 2437      | 19.0                      | 19.0                      | -                     | -                     | -                              |
|                             | 11      | 2462      | 19.0                      | 19.0                      | -                     | -                     | -                              |
|                             | 12      | 2467      | 19.0                      | 19.0                      | -                     | -                     | -                              |
|                             | 13      | 2472      | 19.0                      | 19.0                      | -                     | -                     | -                              |
| 802.11g                     | 1       | 2412      | 19.0                      | 19.0                      | -                     | -                     | -                              |
|                             | 6       | 2437      | 19.0                      | 19.0                      | -                     | -                     | -                              |
|                             | 11      | 2462      | 19.0                      | 19.0                      | -                     | -                     | -                              |
|                             | 12      | 2467      | 18.0                      | 18.0                      | -                     | -                     | -                              |
|                             | 13      | 2472      | 15.0                      | 15.0                      | -                     | -                     | -                              |
| 802.11n HT20                | 1       | 2412      | 19.0                      | 19.0                      | 19.0                  | 19.0                  | 22.0                           |
|                             | 6       | 2437      | 19.0                      | 19.0                      | 19.0                  | 19.0                  | 22.0                           |
|                             | 11      | 2462      | 17.0                      | 17.0                      | 17.0                  | 17.0                  | 20.0                           |
|                             | 12      | 2467      | 14.0                      | 14.0                      | 14.0                  | 14.0                  | 17.0                           |
|                             | 13      | 2472      | 11.0                      | 11.0                      | 11.0                  | 11.0                  | 14.0                           |
| 802.11n HT40                | 3       | 2422      | 16.0                      | 16.0                      | 16.0                  | 16.0                  | 19.0                           |
|                             | 6       | 2437      | 19.0                      | 19.0                      | 19.0                  | 19.0                  | 22.0                           |
|                             | 9       | 2452      | 16.0                      | 16.0                      | 16.0                  | 16.0                  | 19.0                           |
|                             | 10      | 2457      | 13.0                      | 13.0                      | 13.0                  | 13.0                  | 16.0                           |
|                             | 11      | 2462      | 12.0                      | 12.0                      | 12.0                  | 12.0                  | 15.0                           |
| 802.11ax HE20               | 1       | 2412      | 19.0                      | 19.0                      | 19.0                  | 19.0                  | 22.0                           |
|                             | 6       | 2437      | 19.0                      | 19.0                      | 19.0                  | 19.0                  | 22.0                           |
|                             | 11      | 2462      | 17.0                      | 17.0                      | 17.0                  | 17.0                  | 20.0                           |
|                             | 12      | 2467      | 14.0                      | 14.0                      | 14.0                  | 14.0                  | 17.0                           |
|                             | 13      | 2472      | 11.0                      | 11.0                      | 11.0                  | 11.0                  | 14.0                           |
| 802.11ax HE40               | 3       | 2422      | 16.0                      | 16.0                      | 16.0                  | 16.0                  | 19.0                           |
|                             | 6       | 2437      | 19.0                      | 19.0                      | 19.0                  | 19.0                  | 22.0                           |
|                             | 9       | 2452      | 16.0                      | 16.0                      | 16.0                  | 16.0                  | 19.0                           |
|                             | 10      | 2457      | 13.0                      | 13.0                      | 13.0                  | 13.0                  | 16.0                           |
|                             | 11      | 2462      | 12.0                      | 12.0                      | 12.0                  | 12.0                  | 15.0                           |

Tune-up Power - Laptop Mode

Bluetooth

| Mode     | Channel | Frequency | Ant 1<br>Max Tune-up |
|----------|---------|-----------|----------------------|
| BR / EDR | 0       | 2402      | 10.5                 |
|          | 39      | 2441      | 10.5                 |
|          | 78      | 2480      | 10.5                 |
| LE       | 0       | 2402      | 9.5                  |
|          | 19      | 2440      | 9.5                  |
|          | 39      | 2480      | 9.5                  |

| Tune-up Power - Laptop Mode |         |           |                           |                           |                       |                       |                                |
|-----------------------------|---------|-----------|---------------------------|---------------------------|-----------------------|-----------------------|--------------------------------|
| WLAN 5.2GHz                 |         |           |                           |                           |                       |                       |                                |
| Mode                        | Channel | Frequency | SISO Ant 0<br>Max Tune up | SISO Ant 1<br>Max Tune up | MIMO Ant 0<br>Tune up | MIMO Ant 1<br>Tune up | MIMO Ant<br>0+1<br>Max Tune up |
| 802.11a                     | 36      | 5180      | 11.0                      | 11.0                      | -                     | -                     | -                              |
|                             | 40      | 5200      | 11.0                      | 11.0                      | -                     | -                     | -                              |
|                             | 44      | 5220      | 11.0                      | 11.0                      | -                     | -                     | -                              |
|                             | 48      | 5240      | 11.0                      | 11.0                      | -                     | -                     | -                              |
| 802.11n HT20                | 36      | 5180      | 11.0                      | 11.0                      | 11.0                  | 11.0                  | 14.0                           |
|                             | 40      | 5200      | 11.0                      | 11.0                      | 11.0                  | 11.0                  | 14.0                           |
|                             | 44      | 5220      | 11.0                      | 11.0                      | 11.0                  | 11.0                  | 14.0                           |
|                             | 48      | 5240      | 11.0                      | 11.0                      | 11.0                  | 11.0                  | 14.0                           |
| 802.11n HT40                | 38      | 5190      | 11.0                      | 11.0                      | 11.0                  | 11.0                  | 14.0                           |
|                             | 46      | 5230      | 11.0                      | 11.0                      | 11.0                  | 11.0                  | 14.0                           |
| 802.11ac VHT80              | 42      | 5210      | 11.0                      | 11.0                      | 11.0                  | 11.0                  | 14.0                           |
| 802.11ax HE20               | 36      | 5180      | 11.0                      | 11.0                      | 11.0                  | 11.0                  | 14.0                           |
|                             | 40      | 5200      | 11.0                      | 11.0                      | 11.0                  | 11.0                  | 14.0                           |
|                             | 44      | 5220      | 11.0                      | 11.0                      | 11.0                  | 11.0                  | 14.0                           |
|                             | 48      | 5240      | 11.0                      | 11.0                      | 11.0                  | 11.0                  | 14.0                           |
| 802.11ax HE40               | 38      | 5190      | 11.0                      | 11.0                      | 11.0                  | 11.0                  | 14.0                           |
|                             | 46      | 5230      | 11.0                      | 11.0                      | 11.0                  | 11.0                  | 14.0                           |
| 802.11ax HE80               | 42      | 5210      | 11.0                      | 11.0                      | 11.0                  | 11.0                  | 14.0                           |

| Tune-up Power - Laptop Mode |         |           |                           |                           |                       |                       |                                |
|-----------------------------|---------|-----------|---------------------------|---------------------------|-----------------------|-----------------------|--------------------------------|
| WLAN 5.3GHz                 |         |           |                           |                           |                       |                       |                                |
| Mode                        | Channel | Frequency | SISO Ant 0<br>Max Tune up | SISO Ant 1<br>Max Tune up | MIMO Ant 0<br>Tune up | MIMO Ant 1<br>Tune up | MIMO Ant<br>0+1<br>Max Tune up |
| 802.11a                     | 52      | 5260      | 11.0                      | 11.0                      | -                     | -                     | -                              |
|                             | 56      | 5280      | 11.0                      | 11.0                      | -                     | -                     | -                              |
|                             | 60      | 5300      | 11.0                      | 11.0                      | -                     | -                     | -                              |
|                             | 64      | 5320      | 11.0                      | 11.0                      | -                     | -                     | -                              |
| 802.11n HT20                | 52      | 5260      | 11.0                      | 11.0                      | 11.0                  | 11.0                  | 14.0                           |
|                             | 56      | 5280      | 11.0                      | 11.0                      | 11.0                  | 11.0                  | 14.0                           |
|                             | 60      | 5300      | 11.0                      | 11.0                      | 11.0                  | 11.0                  | 14.0                           |
|                             | 64      | 5320      | 11.0                      | 11.0                      | 11.0                  | 11.0                  | 14.0                           |
| 802.11n HT40                | 54      | 5270      | 11.0                      | 11.0                      | 11.0                  | 11.0                  | 14.0                           |
|                             | 62      | 5310      | 11.0                      | 11.0                      | 11.0                  | 11.0                  | 14.0                           |
| 802.11ac VHT80              | 58      | 5290      | 11.0                      | 11.0                      | 11.0                  | 11.0                  | 14.0                           |
| 802.11ac VHT160             | 50      | 5250      | 11.0                      | 11.0                      | 11.0                  | 11.0                  | 14.0                           |
| 802.11ax HE20               | 52      | 5260      | 11.0                      | 11.0                      | 11.0                  | 11.0                  | 14.0                           |
|                             | 56      | 5280      | 11.0                      | 11.0                      | 11.0                  | 11.0                  | 14.0                           |
|                             | 60      | 5300      | 11.0                      | 11.0                      | 11.0                  | 11.0                  | 14.0                           |
|                             | 64      | 5320      | 11.0                      | 11.0                      | 11.0                  | 11.0                  | 14.0                           |
| 802.11ax HE40               | 54      | 5270      | 11.0                      | 11.0                      | 11.0                  | 11.0                  | 14.0                           |
|                             | 62      | 5310      | 11.0                      | 11.0                      | 11.0                  | 11.0                  | 14.0                           |
| 802.11ax HE80               | 58      | 5290      | 11.0                      | 11.0                      | 11.0                  | 11.0                  | 14.0                           |
| 802.11ax HE160              | 50      | 5250      | 11.0                      | 11.0                      | 11.0                  | 11.0                  | 14.0                           |



| Tune-up Power - Laptop Mode |         |           |                           |                           |                       |                       |                                |
|-----------------------------|---------|-----------|---------------------------|---------------------------|-----------------------|-----------------------|--------------------------------|
| WLAN 5.6GHz                 |         |           |                           |                           |                       |                       |                                |
| Mode                        | Channel | Frequency | SISO Ant 0<br>Max Tune up | SISO Ant 1<br>Max Tune up | MIMO Ant 0<br>Tune up | MIMO Ant 1<br>Tune up | MIMO Ant<br>0+1<br>Max Tune up |
| 802.11a                     | 100     | 5500      | 11.0                      | 11.0                      | -                     | -                     | -                              |
|                             | 116     | 5580      | 11.0                      | 11.0                      | -                     | -                     | -                              |
|                             | 120     | 5600      | 11.0                      | 11.0                      | -                     | -                     | -                              |
|                             | 124     | 5620      | 11.0                      | 11.0                      | -                     | -                     | -                              |
|                             | 132     | 5660      | 11.0                      | 11.0                      | -                     | -                     | -                              |
|                             | 140     | 5700      | 11.0                      | 11.0                      | -                     | -                     | -                              |
|                             | 144     | 5720      | 11.0                      | 11.0                      | -                     | -                     | -                              |
| 802.11n HT20                | 100     | 5500      | 11.0                      | 11.0                      | 11.0                  | 11.0                  | 14.0                           |
|                             | 116     | 5580      | 11.0                      | 11.0                      | 11.0                  | 11.0                  | 14.0                           |
|                             | 120     | 5600      | 11.0                      | 11.0                      | 11.0                  | 11.0                  | 14.0                           |
|                             | 124     | 5620      | 11.0                      | 11.0                      | 11.0                  | 11.0                  | 14.0                           |
|                             | 132     | 5660      | 11.0                      | 11.0                      | 11.0                  | 11.0                  | 14.0                           |
|                             | 140     | 5700      | 11.0                      | 11.0                      | 11.0                  | 11.0                  | 14.0                           |
|                             | 144     | 5720      | 11.0                      | 11.0                      | 11.0                  | 11.0                  | 14.0                           |
| 802.11n HT40                | 102     | 5510      | 11.0                      | 11.0                      | 11.0                  | 11.0                  | 14.0                           |
|                             | 110     | 5550      | 11.0                      | 11.0                      | 11.0                  | 11.0                  | 14.0                           |
|                             | 118     | 5590      | 11.0                      | 11.0                      | 11.0                  | 11.0                  | 14.0                           |
|                             | 126     | 5630      | 11.0                      | 11.0                      | 11.0                  | 11.0                  | 14.0                           |
|                             | 134     | 5670      | 11.0                      | 11.0                      | 11.0                  | 11.0                  | 14.0                           |
|                             | 142     | 5710      | 11.0                      | 11.0                      | 11.0                  | 11.0                  | 14.0                           |
| 802.11ac VHT80              | 106     | 5530      | 11.0                      | 11.0                      | 11.0                  | 11.0                  | 14.0                           |
|                             | 122     | 5610      | 11.0                      | 11.0                      | 11.0                  | 11.0                  | 14.0                           |
|                             | 138     | 5690      | 11.0                      | 11.0                      | 11.0                  | 11.0                  | 14.0                           |
| 802.11ac VHT160             | 114     | 5570      | 11.0                      | 11.0                      | 11.0                  | 11.0                  | 14.0                           |
| 802.11ax HE20               | 100     | 5500      | 11.0                      | 11.0                      | 11.0                  | 11.0                  | 14.0                           |
|                             | 116     | 5580      | 11.0                      | 11.0                      | 11.0                  | 11.0                  | 14.0                           |
|                             | 120     | 5600      | 11.0                      | 11.0                      | 11.0                  | 11.0                  | 14.0                           |
|                             | 124     | 5620      | 11.0                      | 11.0                      | 11.0                  | 11.0                  | 14.0                           |
|                             | 132     | 5660      | 11.0                      | 11.0                      | 11.0                  | 11.0                  | 14.0                           |
|                             | 140     | 5700      | 11.0                      | 11.0                      | 11.0                  | 11.0                  | 14.0                           |
|                             | 144     | 5720      | 11.0                      | 11.0                      | 11.0                  | 11.0                  | 14.0                           |
| 802.11ax HE40               | 102     | 5510      | 11.0                      | 11.0                      | 11.0                  | 11.0                  | 14.0                           |
|                             | 110     | 5550      | 11.0                      | 11.0                      | 11.0                  | 11.0                  | 14.0                           |
|                             | 118     | 5590      | 11.0                      | 11.0                      | 11.0                  | 11.0                  | 14.0                           |
|                             | 126     | 5630      | 11.0                      | 11.0                      | 11.0                  | 11.0                  | 14.0                           |
|                             | 134     | 5670      | 11.0                      | 11.0                      | 11.0                  | 11.0                  | 14.0                           |
|                             | 142     | 5710      | 11.0                      | 11.0                      | 11.0                  | 11.0                  | 14.0                           |
| 802.11ax HE80               | 106     | 5530      | 11.0                      | 11.0                      | 11.0                  | 11.0                  | 14.0                           |
|                             | 122     | 5610      | 11.0                      | 11.0                      | 11.0                  | 11.0                  | 14.0                           |
|                             | 138     | 5690      | 11.0                      | 11.0                      | 11.0                  | 11.0                  | 14.0                           |
| 802.11ax HE160              | 114     | 5570      | 11.0                      | 11.0                      | 11.0                  | 11.0                  | 14.0                           |

| Tune-up Power - Laptop Mode |         |           |                           |                           |                       |                       |                                |
|-----------------------------|---------|-----------|---------------------------|---------------------------|-----------------------|-----------------------|--------------------------------|
| WLAN 5.8GHz                 |         |           |                           |                           |                       |                       |                                |
| Mode                        | Channel | Frequency | SISO Ant 0<br>Max Tune up | SISO Ant 1<br>Max Tune up | MIMO Ant 0<br>Tune up | MIMO Ant 1<br>Tune up | MIMO Ant<br>0+1<br>Max Tune up |
| 802.11a                     | 149     | 5745      | 11.0                      | 11.0                      | -                     | -                     | -                              |
|                             | 153     | 5765      | 11.0                      | 11.0                      | -                     | -                     | -                              |
|                             | 157     | 5785      | 11.0                      | 11.0                      | -                     | -                     | -                              |
|                             | 161     | 5805      | 11.0                      | 11.0                      | -                     | -                     | -                              |
|                             | 165     | 5825      | 11.0                      | 11.0                      | -                     | -                     | -                              |
| 802.11n HT20                | 149     | 5745      | 11.0                      | 11.0                      | 11.0                  | 11.0                  | 14.0                           |
|                             | 153     | 5765      | 11.0                      | 11.0                      | 11.0                  | 11.0                  | 14.0                           |
|                             | 157     | 5785      | 11.0                      | 11.0                      | 11.0                  | 11.0                  | 14.0                           |
|                             | 161     | 5805      | 11.0                      | 11.0                      | 11.0                  | 11.0                  | 14.0                           |
|                             | 165     | 5825      | 11.0                      | 11.0                      | 11.0                  | 11.0                  | 14.0                           |
| 802.11n HT40                | 151     | 5755      | 11.0                      | 11.0                      | 11.0                  | 11.0                  | 14.0                           |
|                             | 159     | 5795      | 11.0                      | 11.0                      | 11.0                  | 11.0                  | 14.0                           |
| 802.11ac VHT80              | 155     | 5775      | 11.0                      | 11.0                      | 11.0                  | 11.0                  | 14.0                           |
| 802.11ax HE20               | 149     | 5745      | 11.0                      | 11.0                      | 11.0                  | 11.0                  | 14.0                           |
|                             | 153     | 5765      | 11.0                      | 11.0                      | 11.0                  | 11.0                  | 14.0                           |
|                             | 157     | 5785      | 11.0                      | 11.0                      | 11.0                  | 11.0                  | 14.0                           |
|                             | 161     | 5805      | 11.0                      | 11.0                      | 11.0                  | 11.0                  | 14.0                           |
|                             | 165     | 5825      | 11.0                      | 11.0                      | 11.0                  | 11.0                  | 14.0                           |
| 802.11ax HE40               | 151     | 5755      | 11.0                      | 11.0                      | 11.0                  | 11.0                  | 14.0                           |
|                             | 159     | 5795      | 11.0                      | 11.0                      | 11.0                  | 11.0                  | 14.0                           |
| 802.11ax HE80               | 155     | 5775      | 11.0                      | 11.0                      | 11.0                  | 11.0                  | 14.0                           |

| Tune-up Power - Laptop Mode |         |           |                           |                           |                       |                       |                                |
|-----------------------------|---------|-----------|---------------------------|---------------------------|-----------------------|-----------------------|--------------------------------|
| UNII-5                      |         |           |                           |                           |                       |                       |                                |
| Mode                        | Channel | Frequency | SISO Ant 0<br>Max Tune up | SISO Ant 1<br>Max Tune up | MIMO Ant 0<br>Tune up | MIMO Ant 1<br>Tune up | MIMO Ant<br>0+1<br>Max Tune up |
| 802.11ax HE20               | 1       | 5955      | 5.5                       | 5.5                       | 5.5                   | 5.5                   | 8.5                            |
|                             | 5       | 5975      | 5.5                       | 5.5                       | 5.5                   | 5.5                   | 8.5                            |
|                             | 9       | 5995      | 5.5                       | 5.5                       | 5.5                   | 5.5                   | 8.5                            |
|                             | 13      | 6015      | 5.5                       | 5.5                       | 5.5                   | 5.5                   | 8.5                            |
|                             | 17      | 6035      | 5.5                       | 5.5                       | 5.5                   | 5.5                   | 8.5                            |
|                             | 21      | 6055      | 5.5                       | 5.5                       | 5.5                   | 5.5                   | 8.5                            |
|                             | 25      | 6075      | 5.5                       | 5.5                       | 5.5                   | 5.5                   | 8.5                            |
|                             | 29      | 6095      | 5.5                       | 5.5                       | 5.5                   | 5.5                   | 8.5                            |
|                             | 33      | 6115      | 5.5                       | 5.5                       | 5.5                   | 5.5                   | 8.5                            |
|                             | 37      | 6135      | 5.5                       | 5.5                       | 5.5                   | 5.5                   | 8.5                            |
|                             | 41      | 6155      | 5.5                       | 5.5                       | 5.5                   | 5.5                   | 8.5                            |
|                             | 45      | 6175      | 5.5                       | 5.5                       | 5.5                   | 5.5                   | 8.5                            |
|                             | 49      | 6195      | 5.5                       | 5.5                       | 5.5                   | 5.5                   | 8.5                            |
|                             | 53      | 6215      | 5.5                       | 5.5                       | 5.5                   | 5.5                   | 8.5                            |
|                             | 57      | 6235      | 5.5                       | 5.5                       | 5.5                   | 5.5                   | 8.5                            |
|                             | 61      | 6255      | 5.5                       | 5.5                       | 5.5                   | 5.5                   | 8.5                            |
|                             | 65      | 6275      | 5.5                       | 5.5                       | 5.5                   | 5.5                   | 8.5                            |
|                             | 69      | 6295      | 5.5                       | 5.5                       | 5.5                   | 5.5                   | 8.5                            |
|                             | 73      | 6315      | 5.5                       | 5.5                       | 5.5                   | 5.5                   | 8.5                            |
|                             | 77      | 6335      | 5.5                       | 5.5                       | 5.5                   | 5.5                   | 8.5                            |
| 81                          | 6355    | 5.5       | 5.5                       | 5.5                       | 5.5                   | 8.5                   |                                |
| 85                          | 6375    | 5.5       | 5.5                       | 5.5                       | 5.5                   | 8.5                   |                                |
| 89                          | 6395    | 5.5       | 5.5                       | 5.5                       | 5.5                   | 8.5                   |                                |
| 93                          | 6415    | 5.5       | 5.5                       | 5.5                       | 5.5                   | 8.5                   |                                |
| 802.11ax HE40               | 3       | 5965      | 9.0                       | 9.0                       | 9.0                   | 9.0                   | 12.0                           |
|                             | 11      | 6005      | 9.0                       | 9.0                       | 9.0                   | 9.0                   | 12.0                           |
|                             | 19      | 6045      | 9.0                       | 9.0                       | 9.0                   | 9.0                   | 12.0                           |
|                             | 27      | 6085      | 9.0                       | 9.0                       | 9.0                   | 9.0                   | 12.0                           |
|                             | 35      | 6125      | 9.0                       | 9.0                       | 9.0                   | 9.0                   | 12.0                           |
|                             | 43      | 6165      | 9.0                       | 9.0                       | 9.0                   | 9.0                   | 12.0                           |
|                             | 51      | 6205      | 9.0                       | 9.0                       | 9.0                   | 9.0                   | 12.0                           |
|                             | 59      | 6245      | 9.0                       | 9.0                       | 9.0                   | 9.0                   | 12.0                           |
|                             | 67      | 6285      | 9.0                       | 9.0                       | 9.0                   | 9.0                   | 12.0                           |
|                             | 75      | 6325      | 9.0                       | 9.0                       | 9.0                   | 9.0                   | 12.0                           |
|                             | 83      | 6365      | 9.0                       | 9.0                       | 9.0                   | 9.0                   | 12.0                           |
| 91                          | 6405    | 9.0       | 9.0                       | 9.0                       | 9.0                   | 12.0                  |                                |
| 802.11ax HE80               | 7       | 5985      | 10.5                      | 10.5                      | 10.5                  | 10.5                  | 13.5                           |
|                             | 23      | 6065      | 10.5                      | 10.5                      | 10.5                  | 10.5                  | 13.5                           |
|                             | 39      | 6145      | 10.5                      | 10.5                      | 10.5                  | 10.5                  | 13.5                           |
|                             | 55      | 6225      | 10.5                      | 10.5                      | 10.5                  | 10.5                  | 13.5                           |
|                             | 71      | 6305      | 10.5                      | 10.5                      | 10.5                  | 10.5                  | 13.5                           |
|                             | 87      | 6385      | 10.5                      | 10.5                      | 10.5                  | 10.5                  | 13.5                           |
| 802.11ax HE160              | 15      | 6025      | 10.5                      | 10.5                      | 10.5                  | 10.5                  | 13.5                           |
|                             | 47      | 6185      | 10.5                      | 10.5                      | 10.5                  | 10.5                  | 13.5                           |
|                             | 79      | 6345      | 10.5                      | 10.5                      | 10.5                  | 10.5                  | 13.5                           |

| Tune-up Power - Laptop Mode |         |           |                           |                           |                       |                       |                                |
|-----------------------------|---------|-----------|---------------------------|---------------------------|-----------------------|-----------------------|--------------------------------|
| UNII-6                      |         |           |                           |                           |                       |                       |                                |
| Mode                        | Channel | Frequency | SISO Ant 0<br>Max Tune up | SISO Ant 1<br>Max Tune up | MIMO Ant 0<br>Tune up | MIMO Ant 1<br>Tune up | MIMO Ant<br>0+1<br>Max Tune up |
| 802.11ax HE20               | 97      | 6435      | 5.5                       | 5.5                       | 5.5                   | 5.5                   | 8.5                            |
|                             | 101     | 6455      | 5.5                       | 5.5                       | 5.5                   | 5.5                   | 8.5                            |
|                             | 105     | 6475      | 5.5                       | 5.5                       | 5.5                   | 5.5                   | 8.5                            |
|                             | 109     | 6495      | 5.5                       | 5.5                       | 5.5                   | 5.5                   | 8.5                            |
|                             | 113     | 6515      | 5.5                       | 5.5                       | 5.5                   | 5.5                   | 8.5                            |
|                             | 117     | 6535      | 5.5                       | 5.5                       | 5.5                   | 5.5                   | 8.5                            |
| 802.11ax HE40               | 99      | 6445      | 9.0                       | 9.0                       | 9.0                   | 9.0                   | 12.0                           |
|                             | 107     | 6485      | 9.0                       | 9.0                       | 9.0                   | 9.0                   | 12.0                           |
|                             | 115     | 6525      | 9.0                       | 9.0                       | 9.0                   | 9.0                   | 12.0                           |
| 802.11ax HE80               | 103     | 6465      | 10.5                      | 10.5                      | 10.5                  | 10.5                  | 13.5                           |
|                             | 119     | 6545      | 10.5                      | 10.5                      | 10.5                  | 10.5                  | 13.5                           |
| 802.11ax HE160              | 111     | 6505      | 10.5                      | 10.5                      | 10.5                  | 10.5                  | 13.5                           |

| Tune-up Power - Laptop Mode |         |           |                           |                           |                       |                       |                                |
|-----------------------------|---------|-----------|---------------------------|---------------------------|-----------------------|-----------------------|--------------------------------|
| UNII-7                      |         |           |                           |                           |                       |                       |                                |
| Mode                        | Channel | Frequency | SISO Ant 0<br>Max Tune up | SISO Ant 1<br>Max Tune up | MIMO Ant 0<br>Tune up | MIMO Ant 1<br>Tune up | MIMO Ant<br>0+1<br>Max Tune up |
| 802.11ax HE20               | 121     | 6555      | 5.5                       | 5.5                       | 5.5                   | 5.5                   | 8.5                            |
|                             | 125     | 6575      | 5.5                       | 5.5                       | 5.5                   | 5.5                   | 8.5                            |
|                             | 129     | 6595      | 5.5                       | 5.5                       | 5.5                   | 5.5                   | 8.5                            |
|                             | 133     | 6615      | 5.5                       | 5.5                       | 5.5                   | 5.5                   | 8.5                            |
|                             | 137     | 6635      | 5.5                       | 5.5                       | 5.5                   | 5.5                   | 8.5                            |
|                             | 141     | 6655      | 5.5                       | 5.5                       | 5.5                   | 5.5                   | 8.5                            |
|                             | 145     | 6675      | 5.5                       | 5.5                       | 5.5                   | 5.5                   | 8.5                            |
|                             | 149     | 6695      | 5.5                       | 5.5                       | 5.5                   | 5.5                   | 8.5                            |
|                             | 153     | 6715      | 5.5                       | 5.5                       | 5.5                   | 5.5                   | 8.5                            |
|                             | 157     | 6735      | 5.5                       | 5.5                       | 5.5                   | 5.5                   | 8.5                            |
|                             | 161     | 6755      | 5.5                       | 5.5                       | 5.5                   | 5.5                   | 8.5                            |
|                             | 165     | 6775      | 5.5                       | 5.5                       | 5.5                   | 5.5                   | 8.5                            |
|                             | 169     | 6795      | 5.5                       | 5.5                       | 5.5                   | 5.5                   | 8.5                            |
|                             | 173     | 6815      | 5.5                       | 5.5                       | 5.5                   | 5.5                   | 8.5                            |
|                             | 177     | 6835      | 5.5                       | 5.5                       | 5.5                   | 5.5                   | 8.5                            |
|                             | 181     | 6855      | 5.5                       | 5.5                       | 5.5                   | 5.5                   | 8.5                            |
| 185                         | 6875    | 5.5       | 5.5                       | 5.5                       | 5.5                   | 8.5                   |                                |
| 802.11ax HE40               | 123     | 6565      | 9.0                       | 9.0                       | 9.0                   | 9.0                   | 12.0                           |
|                             | 131     | 6605      | 9.0                       | 9.0                       | 9.0                   | 9.0                   | 12.0                           |
|                             | 139     | 6645      | 9.0                       | 9.0                       | 9.0                   | 9.0                   | 12.0                           |
|                             | 147     | 6685      | 9.0                       | 9.0                       | 9.0                   | 9.0                   | 12.0                           |
|                             | 155     | 6725      | 9.0                       | 9.0                       | 9.0                   | 9.0                   | 12.0                           |
|                             | 163     | 6765      | 9.0                       | 9.0                       | 9.0                   | 9.0                   | 12.0                           |
|                             | 171     | 6805      | 9.0                       | 9.0                       | 9.0                   | 9.0                   | 12.0                           |
|                             | 179     | 6845      | 9.0                       | 9.0                       | 9.0                   | 9.0                   | 12.0                           |
| 802.11ax HE80               | 187     | 6885      | 9.0                       | 9.0                       | 9.0                   | 9.0                   | 12.0                           |
|                             | 135     | 6625      | 10.5                      | 10.5                      | 10.5                  | 10.5                  | 13.5                           |
|                             | 151     | 6705      | 10.5                      | 10.5                      | 10.5                  | 10.5                  | 13.5                           |
|                             | 167     | 6785      | 10.5                      | 10.5                      | 10.5                  | 10.5                  | 13.5                           |
| 802.11ax HE160              | 183     | 6865      | 10.5                      | 10.5                      | 10.5                  | 10.5                  | 13.5                           |
|                             | 143     | 6665      | 10.5                      | 10.5                      | 10.5                  | 10.5                  | 13.5                           |
|                             | 175     | 6825      | 10.5                      | 10.5                      | 10.5                  | 10.5                  | 13.5                           |

| Tune-up Power - Laptop Mode |         |           |                           |                           |                       |                       |                                |
|-----------------------------|---------|-----------|---------------------------|---------------------------|-----------------------|-----------------------|--------------------------------|
| UNII-8                      |         |           |                           |                           |                       |                       |                                |
| Mode                        | Channel | Frequency | SISO Ant 0<br>Max Tune up | SISO Ant 1<br>Max Tune up | MIMO Ant 0<br>Tune up | MIMO Ant 1<br>Tune up | MIMO Ant<br>0+1<br>Max Tune up |
| 802.11ax HE20               | 189     | 6895      | 5.5                       | 5.5                       | 5.5                   | 5.5                   | 8.5                            |
|                             | 193     | 6915      | 5.5                       | 5.5                       | 5.5                   | 5.5                   | 8.5                            |
|                             | 197     | 6935      | 5.5                       | 5.5                       | 5.5                   | 5.5                   | 8.5                            |
|                             | 201     | 6955      | 5.5                       | 5.5                       | 5.5                   | 5.5                   | 8.5                            |
|                             | 205     | 6975      | 5.5                       | 5.5                       | 5.5                   | 5.5                   | 8.5                            |
|                             | 209     | 6995      | 5.5                       | 5.5                       | 5.5                   | 5.5                   | 8.5                            |
|                             | 213     | 7015      | 5.5                       | 5.5                       | 5.5                   | 5.5                   | 8.5                            |
|                             | 217     | 7035      | 5.5                       | 5.5                       | 5.5                   | 5.5                   | 8.5                            |
|                             | 221     | 7055      | 5.5                       | 5.5                       | 5.5                   | 5.5                   | 8.5                            |
|                             | 225     | 7075      | 5.5                       | 5.5                       | 5.5                   | 5.5                   | 8.5                            |
|                             | 229     | 7095      | 5.5                       | 5.5                       | 5.5                   | 5.5                   | 8.5                            |
|                             | 233     | 7115      | 3.0                       | 3.0                       | 3.0                   | 3.0                   | 6.0                            |
| 802.11ax HE40               | 195     | 6925      | 9.0                       | 9.0                       | 9.0                   | 9.0                   | 12.0                           |
|                             | 203     | 6965      | 9.0                       | 9.0                       | 9.0                   | 9.0                   | 12.0                           |
|                             | 211     | 7005      | 9.0                       | 9.0                       | 9.0                   | 9.0                   | 12.0                           |
|                             | 219     | 7045      | 9.0                       | 9.0                       | 9.0                   | 9.0                   | 12.0                           |
|                             | 227     | 7085      | 9.0                       | 9.0                       | 9.0                   | 9.0                   | 12.0                           |
| 802.11ax HE80               | 199     | 6945      | 10.5                      | 10.5                      | 10.5                  | 10.5                  | 13.5                           |
|                             | 215     | 7025      | 10.5                      | 10.5                      | 10.5                  | 10.5                  | 13.5                           |
| 802.11ax HE160              | 207     | 6985      | 10.5                      | 10.5                      | 10.5                  | 10.5                  | 13.5                           |

| WLAN Tune-up Power - Tablet Mode |         |           |                           |                           |                       |                       |                                |
|----------------------------------|---------|-----------|---------------------------|---------------------------|-----------------------|-----------------------|--------------------------------|
| WLAN2.4GHz                       |         |           |                           |                           |                       |                       |                                |
| Mode                             | Channel | Frequency | SISO Ant 0<br>Max Tune up | SISO Ant 1<br>Max Tune up | MIMO Ant 0<br>Tune up | MIMO Ant 1<br>Tune up | MIMO Ant<br>0+1<br>Max Tune up |
| 802.11b                          | 1       | 2412      | 14.0                      | 14.0                      | -                     | -                     | -                              |
|                                  | 6       | 2437      | 14.0                      | 14.0                      | -                     | -                     | -                              |
|                                  | 11      | 2462      | 14.0                      | 14.0                      | -                     | -                     | -                              |
|                                  | 12      | 2467      | 14.0                      | 14.0                      | -                     | -                     | -                              |
|                                  | 13      | 2472      | 14.0                      | 14.0                      | -                     | -                     | -                              |
| 802.11g                          | 1       | 2412      | 14.0                      | 14.0                      | -                     | -                     | -                              |
|                                  | 6       | 2437      | 14.0                      | 14.0                      | -                     | -                     | -                              |
|                                  | 11      | 2462      | 14.0                      | 14.0                      | -                     | -                     | -                              |
|                                  | 12      | 2467      | 14.0                      | 14.0                      | -                     | -                     | -                              |
|                                  | 13      | 2472      | 14.0                      | 14.0                      | -                     | -                     | -                              |
| 802.11n HT20                     | 1       | 2412      | 14.0                      | 14.0                      | 14.0                  | 14.0                  | 17.0                           |
|                                  | 6       | 2437      | 14.0                      | 14.0                      | 14.0                  | 14.0                  | 17.0                           |
|                                  | 11      | 2462      | 14.0                      | 14.0                      | 14.0                  | 14.0                  | 17.0                           |
|                                  | 12      | 2467      | 14.0                      | 14.0                      | 14.0                  | 14.0                  | 17.0                           |
|                                  | 13      | 2472      | 11.0                      | 11.0                      | 11.0                  | 11.0                  | 14.0                           |
| 802.11n HT40                     | 3       | 2422      | 14.0                      | 14.0                      | 14.0                  | 14.0                  | 17.0                           |
|                                  | 6       | 2437      | 14.0                      | 14.0                      | 14.0                  | 14.0                  | 17.0                           |
|                                  | 9       | 2452      | 14.0                      | 14.0                      | 14.0                  | 14.0                  | 17.0                           |
|                                  | 10      | 2457      | 13.0                      | 13.0                      | 13.0                  | 13.0                  | 16.0                           |
|                                  | 11      | 2462      | 12.0                      | 12.0                      | 12.0                  | 12.0                  | 15.0                           |
| 802.11ax HE20                    | 1       | 2412      | 14.0                      | 14.0                      | 14.0                  | 14.0                  | 17.0                           |
|                                  | 6       | 2437      | 14.0                      | 14.0                      | 14.0                  | 14.0                  | 17.0                           |
|                                  | 11      | 2462      | 14.0                      | 14.0                      | 14.0                  | 14.0                  | 17.0                           |
|                                  | 12      | 2467      | 14.0                      | 14.0                      | 14.0                  | 14.0                  | 17.0                           |
|                                  | 13      | 2472      | 11.0                      | 11.0                      | 11.0                  | 11.0                  | 14.0                           |
| 802.11ax HE40                    | 3       | 2422      | 14.0                      | 14.0                      | 14.0                  | 14.0                  | 17.0                           |
|                                  | 6       | 2437      | 14.0                      | 14.0                      | 14.0                  | 14.0                  | 17.0                           |
|                                  | 9       | 2452      | 14.0                      | 14.0                      | 14.0                  | 14.0                  | 17.0                           |
|                                  | 10      | 2457      | 13.0                      | 13.0                      | 13.0                  | 13.0                  | 16.0                           |
|                                  | 11      | 2462      | 12.0                      | 12.0                      | 12.0                  | 12.0                  | 15.0                           |

**WLAN Tune-up Power - Tablet Mode****Bluetooth**

| Mode     | Channel | Frequency | Ant 1<br>Max Tune-up |
|----------|---------|-----------|----------------------|
| BR / EDR | 0       | 2402      | 10.5                 |
|          | 39      | 2441      | 10.5                 |
|          | 78      | 2480      | 10.5                 |
| LE       | 0       | 2402      | 9.5                  |
|          | 19      | 2440      | 9.5                  |
|          | 39      | 2480      | 9.5                  |



| WLAN Tune-up Power - Tablet Mode |         |           |                           |                           |                       |                       |                                |
|----------------------------------|---------|-----------|---------------------------|---------------------------|-----------------------|-----------------------|--------------------------------|
| WLAN 5.2GHz                      |         |           |                           |                           |                       |                       |                                |
| Mode                             | Channel | Frequency | SISO Ant 0<br>Max Tune up | SISO Ant 1<br>Max Tune up | MIMO Ant 0<br>Tune up | MIMO Ant 1<br>Tune up | MIMO Ant<br>0+1<br>Max Tune up |
| 802.11a                          | 36      | 5180      | 11.5                      | 11.5                      | -                     | -                     | -                              |
|                                  | 40      | 5200      | 11.5                      | 11.5                      | -                     | -                     | -                              |
|                                  | 44      | 5220      | 11.5                      | 11.5                      | -                     | -                     | -                              |
|                                  | 48      | 5240      | 11.5                      | 11.5                      | -                     | -                     | -                              |
| 802.11n HT20                     | 36      | 5180      | 11.5                      | 11.5                      | 11.5                  | 11.5                  | 14.5                           |
|                                  | 40      | 5200      | 11.5                      | 11.5                      | 11.5                  | 11.5                  | 14.5                           |
|                                  | 44      | 5220      | 11.5                      | 11.5                      | 11.5                  | 11.5                  | 14.5                           |
|                                  | 48      | 5240      | 11.5                      | 11.5                      | 11.5                  | 11.5                  | 14.5                           |
| 802.11n HT40                     | 38      | 5190      | 11.5                      | 11.5                      | 11.5                  | 11.5                  | 14.5                           |
|                                  | 46      | 5230      | 11.5                      | 11.5                      | 11.5                  | 11.5                  | 14.5                           |
| 802.11ac VHT80                   | 42      | 5210      | 11.5                      | 11.5                      | 11.5                  | 11.5                  | 14.5                           |
| 802.11ax HE20                    | 36      | 5180      | 11.5                      | 11.5                      | 11.5                  | 11.5                  | 14.5                           |
|                                  | 40      | 5200      | 11.5                      | 11.5                      | 11.5                  | 11.5                  | 14.5                           |
|                                  | 44      | 5220      | 11.5                      | 11.5                      | 11.5                  | 11.5                  | 14.5                           |
|                                  | 48      | 5240      | 11.5                      | 11.5                      | 11.5                  | 11.5                  | 14.5                           |
| 802.11ax HE40                    | 38      | 5190      | 11.5                      | 11.5                      | 11.5                  | 11.5                  | 14.5                           |
|                                  | 46      | 5230      | 11.5                      | 11.5                      | 11.5                  | 11.5                  | 14.5                           |
| 802.11ax HE80                    | 42      | 5210      | 11.5                      | 11.5                      | 11.5                  | 11.5                  | 14.5                           |

| WLAN Tune-up Power - Tablet Mode |         |           |                           |                           |                       |                       |                                |
|----------------------------------|---------|-----------|---------------------------|---------------------------|-----------------------|-----------------------|--------------------------------|
| WLAN 5.3GHz                      |         |           |                           |                           |                       |                       |                                |
| Mode                             | Channel | Frequency | SISO Ant 0<br>Max Tune up | SISO Ant 1<br>Max Tune up | MIMO Ant 0<br>Tune up | MIMO Ant 1<br>Tune up | MIMO Ant<br>0+1<br>Max Tune up |
| 802.11a                          | 52      | 5260      | 11.5                      | 11.5                      | -                     | -                     | -                              |
|                                  | 56      | 5280      | 11.5                      | 11.5                      | -                     | -                     | -                              |
|                                  | 60      | 5300      | 11.5                      | 11.5                      | -                     | -                     | -                              |
|                                  | 64      | 5320      | 11.5                      | 11.5                      | -                     | -                     | -                              |
| 802.11n HT20                     | 52      | 5260      | 11.5                      | 11.5                      | 11.5                  | 11.5                  | 14.5                           |
|                                  | 56      | 5280      | 11.5                      | 11.5                      | 11.5                  | 11.5                  | 14.5                           |
|                                  | 60      | 5300      | 11.5                      | 11.5                      | 11.5                  | 11.5                  | 14.5                           |
|                                  | 64      | 5320      | 11.5                      | 11.5                      | 11.5                  | 11.5                  | 14.5                           |
| 802.11n HT40                     | 54      | 5270      | 11.5                      | 11.5                      | 11.5                  | 11.5                  | 14.5                           |
|                                  | 62      | 5310      | 11.5                      | 11.5                      | 11.5                  | 11.5                  | 14.5                           |
| 802.11ac VHT80                   | 58      | 5290      | 11.5                      | 11.5                      | 11.5                  | 11.5                  | 14.5                           |
| 802.11ac VHT160                  | 50      | 5250      | 11.5                      | 11.5                      | 11.5                  | 11.5                  | 14.5                           |
| 802.11ax HE20                    | 52      | 5260      | 11.5                      | 11.5                      | 11.5                  | 11.5                  | 14.5                           |
|                                  | 56      | 5280      | 11.5                      | 11.5                      | 11.5                  | 11.5                  | 14.5                           |
|                                  | 60      | 5300      | 11.5                      | 11.5                      | 11.5                  | 11.5                  | 14.5                           |
|                                  | 64      | 5320      | 11.5                      | 11.5                      | 11.5                  | 11.5                  | 14.5                           |
| 802.11ax HE40                    | 54      | 5270      | 11.5                      | 11.5                      | 11.5                  | 11.5                  | 14.5                           |
|                                  | 62      | 5310      | 11.5                      | 11.5                      | 11.5                  | 11.5                  | 14.5                           |
| 802.11ax HE80                    | 58      | 5290      | 11.5                      | 11.5                      | 11.5                  | 11.5                  | 14.5                           |
| 802.11ax HE160                   | 50      | 5250      | 11.5                      | 11.5                      | 11.5                  | 11.5                  | 14.5                           |

| WLAN Tune-up Power - Tablet Mode |         |           |                           |                           |                       |                       |                                |
|----------------------------------|---------|-----------|---------------------------|---------------------------|-----------------------|-----------------------|--------------------------------|
| WLAN 5.6GHz                      |         |           |                           |                           |                       |                       |                                |
| Mode                             | Channel | Frequency | SISO Ant 0<br>Max Tune up | SISO Ant 1<br>Max Tune up | MIMO Ant 0<br>Tune up | MIMO Ant 1<br>Tune up | MIMO Ant<br>0+1<br>Max Tune up |
| 802.11a                          | 100     | 5500      | 11.5                      | 11.5                      | -                     | -                     | -                              |
|                                  | 116     | 5580      | 11.5                      | 11.5                      | -                     | -                     | -                              |
|                                  | 120     | 5600      | 11.5                      | 11.5                      | -                     | -                     | -                              |
|                                  | 124     | 5620      | 11.5                      | 11.5                      | -                     | -                     | -                              |
|                                  | 132     | 5660      | 11.5                      | 11.5                      | -                     | -                     | -                              |
|                                  | 140     | 5700      | 11.5                      | 11.5                      | -                     | -                     | -                              |
|                                  | 144     | 5720      | 11.5                      | 11.5                      | -                     | -                     | -                              |
| 802.11n HT20                     | 100     | 5500      | 11.5                      | 11.5                      | 11.5                  | 11.5                  | 14.5                           |
|                                  | 116     | 5580      | 11.5                      | 11.5                      | 11.5                  | 11.5                  | 14.5                           |
|                                  | 120     | 5600      | 11.5                      | 11.5                      | 11.5                  | 11.5                  | 14.5                           |
|                                  | 124     | 5620      | 11.5                      | 11.5                      | 11.5                  | 11.5                  | 14.5                           |
|                                  | 132     | 5660      | 11.5                      | 11.5                      | 11.5                  | 11.5                  | 14.5                           |
|                                  | 140     | 5700      | 11.5                      | 11.5                      | 11.5                  | 11.5                  | 14.5                           |
|                                  | 144     | 5720      | 11.5                      | 11.5                      | 11.5                  | 11.5                  | 14.5                           |
| 802.11n HT40                     | 102     | 5510      | 11.5                      | 11.5                      | 11.5                  | 11.5                  | 14.5                           |
|                                  | 110     | 5550      | 11.5                      | 11.5                      | 11.5                  | 11.5                  | 14.5                           |
|                                  | 118     | 5590      | 11.5                      | 11.5                      | 11.5                  | 11.5                  | 14.5                           |
|                                  | 126     | 5630      | 11.5                      | 11.5                      | 11.5                  | 11.5                  | 14.5                           |
|                                  | 134     | 5670      | 11.5                      | 11.5                      | 11.5                  | 11.5                  | 14.5                           |
|                                  | 142     | 5710      | 11.5                      | 11.5                      | 11.5                  | 11.5                  | 14.5                           |
| 802.11ac VHT80                   | 106     | 5530      | 11.5                      | 11.5                      | 11.5                  | 11.5                  | 14.5                           |
|                                  | 122     | 5610      | 11.5                      | 11.5                      | 11.5                  | 11.5                  | 14.5                           |
|                                  | 138     | 5690      | 11.5                      | 11.5                      | 11.5                  | 11.5                  | 14.5                           |
| 802.11ac VHT160                  | 114     | 5570      | 11.5                      | 11.5                      | 11.5                  | 11.5                  | 14.5                           |
| 802.11ax HE20                    | 100     | 5500      | 11.5                      | 11.5                      | 11.5                  | 11.5                  | 14.5                           |
|                                  | 116     | 5580      | 11.5                      | 11.5                      | 11.5                  | 11.5                  | 14.5                           |
|                                  | 120     | 5600      | 11.5                      | 11.5                      | 11.5                  | 11.5                  | 14.5                           |
|                                  | 124     | 5620      | 11.5                      | 11.5                      | 11.5                  | 11.5                  | 14.5                           |
|                                  | 132     | 5660      | 11.5                      | 11.5                      | 11.5                  | 11.5                  | 14.5                           |
|                                  | 140     | 5700      | 11.5                      | 11.5                      | 11.5                  | 11.5                  | 14.5                           |
|                                  | 144     | 5720      | 11.5                      | 11.5                      | 11.5                  | 11.5                  | 14.5                           |
| 802.11ax HE40                    | 102     | 5510      | 11.5                      | 11.5                      | 11.5                  | 11.5                  | 14.5                           |
|                                  | 110     | 5550      | 11.5                      | 11.5                      | 11.5                  | 11.5                  | 14.5                           |
|                                  | 118     | 5590      | 11.5                      | 11.5                      | 11.5                  | 11.5                  | 14.5                           |
|                                  | 126     | 5630      | 11.5                      | 11.5                      | 11.5                  | 11.5                  | 14.5                           |
|                                  | 134     | 5670      | 11.5                      | 11.5                      | 11.5                  | 11.5                  | 14.5                           |
|                                  | 142     | 5710      | 11.5                      | 11.5                      | 11.5                  | 11.5                  | 14.5                           |
| 802.11ax HE80                    | 106     | 5530      | 11.5                      | 11.5                      | 11.5                  | 11.5                  | 14.5                           |
|                                  | 122     | 5610      | 11.5                      | 11.5                      | 11.5                  | 11.5                  | 14.5                           |
|                                  | 138     | 5690      | 11.5                      | 11.5                      | 11.5                  | 11.5                  | 14.5                           |
| 802.11ax HE160                   | 114     | 5570      | 11.5                      | 11.5                      | 11.5                  | 11.5                  | 14.5                           |

| WLAN Tune-up Power - Tablet Mode |         |           |                           |                           |                       |                       |                                |
|----------------------------------|---------|-----------|---------------------------|---------------------------|-----------------------|-----------------------|--------------------------------|
| WLAN 5.8GHz                      |         |           |                           |                           |                       |                       |                                |
| Mode                             | Channel | Frequency | SISO Ant 0<br>Max Tune up | SISO Ant 1<br>Max Tune up | MIMO Ant 0<br>Tune up | MIMO Ant 1<br>Tune up | MIMO Ant<br>0+1<br>Max Tune up |
| 802.11a                          | 149     | 5745      | 11.5                      | 11.5                      | -                     | -                     | -                              |
|                                  | 153     | 5765      | 11.5                      | 11.5                      | -                     | -                     | -                              |
|                                  | 157     | 5785      | 11.5                      | 11.5                      | -                     | -                     | -                              |
|                                  | 161     | 5805      | 11.5                      | 11.5                      | -                     | -                     | -                              |
|                                  | 165     | 5825      | 11.5                      | 11.5                      | -                     | -                     | -                              |
| 802.11n HT20                     | 149     | 5745      | 11.5                      | 11.5                      | 11.5                  | 11.5                  | 14.5                           |
|                                  | 153     | 5765      | 11.5                      | 11.5                      | 11.5                  | 11.5                  | 14.5                           |
|                                  | 157     | 5785      | 11.5                      | 11.5                      | 11.5                  | 11.5                  | 14.5                           |
|                                  | 161     | 5805      | 11.5                      | 11.5                      | 11.5                  | 11.5                  | 14.5                           |
|                                  | 165     | 5825      | 11.5                      | 11.5                      | 11.5                  | 11.5                  | 14.5                           |
| 802.11n HT40                     | 151     | 5755      | 11.5                      | 11.5                      | 11.5                  | 11.5                  | 14.5                           |
|                                  | 159     | 5795      | 11.5                      | 11.5                      | 11.5                  | 11.5                  | 14.5                           |
| 802.11ac VHT80                   | 155     | 5775      | 11.5                      | 11.5                      | 11.5                  | 11.5                  | 14.5                           |
| 802.11ax HE20                    | 149     | 5745      | 11.5                      | 11.5                      | 11.5                  | 11.5                  | 14.5                           |
|                                  | 153     | 5765      | 11.5                      | 11.5                      | 11.5                  | 11.5                  | 14.5                           |
|                                  | 157     | 5785      | 11.5                      | 11.5                      | 11.5                  | 11.5                  | 14.5                           |
|                                  | 161     | 5805      | 11.5                      | 11.5                      | 11.5                  | 11.5                  | 14.5                           |
|                                  | 165     | 5825      | 11.5                      | 11.5                      | 11.5                  | 11.5                  | 14.5                           |
| 802.11ax HE40                    | 151     | 5755      | 11.5                      | 11.5                      | 11.5                  | 11.5                  | 14.5                           |
|                                  | 159     | 5795      | 11.5                      | 11.5                      | 11.5                  | 11.5                  | 14.5                           |
| 802.11ax HE80                    | 155     | 5775      | 11.5                      | 11.5                      | 11.5                  | 11.5                  | 14.5                           |

| WLAN Tune-up Power - Tablet Mode |         |           |                           |                           |                       |                       |                                |
|----------------------------------|---------|-----------|---------------------------|---------------------------|-----------------------|-----------------------|--------------------------------|
| UNII-5                           |         |           |                           |                           |                       |                       |                                |
| Mode                             | Channel | Frequency | SISO Ant 0<br>Max Tune up | SISO Ant 1<br>Max Tune up | MIMO Ant 0<br>Tune up | MIMO Ant 1<br>Tune up | MIMO Ant<br>0+1<br>Max Tune up |
| 802.11ax HE20                    | 1       | 5945      | 5.5                       | 5.5                       | 2.5                   | 2.5                   | 5.5                            |
|                                  | 5       | 5965      | 5.5                       | 5.5                       | 2.5                   | 2.5                   | 5.5                            |
|                                  | 9       | 5985      | 5.5                       | 5.5                       | 2.5                   | 2.5                   | 5.5                            |
|                                  | 13      | 6005      | 5.5                       | 5.5                       | 2.5                   | 2.5                   | 5.5                            |
|                                  | 17      | 6025      | 5.5                       | 5.5                       | 2.5                   | 2.5                   | 5.5                            |
|                                  | 21      | 6045      | 5.5                       | 5.5                       | 2.5                   | 2.5                   | 5.5                            |
|                                  | 25      | 6065      | 5.5                       | 5.5                       | 2.5                   | 2.5                   | 5.5                            |
|                                  | 29      | 6085      | 5.5                       | 5.5                       | 2.5                   | 2.5                   | 5.5                            |
|                                  | 33      | 6105      | 5.5                       | 5.5                       | 2.5                   | 2.5                   | 5.5                            |
|                                  | 37      | 6125      | 5.5                       | 5.5                       | 2.5                   | 2.5                   | 5.5                            |
|                                  | 41      | 6145      | 5.5                       | 5.5                       | 2.5                   | 2.5                   | 5.5                            |
|                                  | 45      | 6165      | 5.5                       | 5.5                       | 2.5                   | 2.5                   | 5.5                            |
|                                  | 49      | 6185      | 5.5                       | 5.5                       | 2.5                   | 2.5                   | 5.5                            |
|                                  | 53      | 6205      | 5.5                       | 5.5                       | 2.5                   | 2.5                   | 5.5                            |
|                                  | 57      | 6225      | 5.5                       | 5.5                       | 2.5                   | 2.5                   | 5.5                            |
|                                  | 61      | 6245      | 5.5                       | 5.5                       | 2.5                   | 2.5                   | 5.5                            |
|                                  | 65      | 6265      | 5.5                       | 5.5                       | 2.5                   | 2.5                   | 5.5                            |
|                                  | 69      | 6285      | 5.5                       | 5.5                       | 2.5                   | 2.5                   | 5.5                            |
|                                  | 73      | 6305      | 5.5                       | 5.5                       | 2.5                   | 2.5                   | 5.5                            |
|                                  | 77      | 6325      | 5.5                       | 5.5                       | 2.5                   | 2.5                   | 5.5                            |
| 81                               | 6345    | 5.5       | 5.5                       | 2.5                       | 2.5                   | 5.5                   |                                |
| 85                               | 6365    | 5.5       | 5.5                       | 2.5                       | 2.5                   | 5.5                   |                                |
| 89                               | 6385    | 5.5       | 5.5                       | 2.5                       | 2.5                   | 5.5                   |                                |
| 93                               | 6405    | 5.5       | 5.5                       | 2.5                       | 2.5                   | 5.5                   |                                |
| 802.11ax HE40                    | 3       | 5955      | 8.5                       | 8.5                       | 8.5                   | 8.5                   | 11.5                           |
|                                  | 11      | 5995      | 8.5                       | 8.5                       | 8.5                   | 8.5                   | 11.5                           |
|                                  | 19      | 6035      | 8.5                       | 8.5                       | 8.5                   | 8.5                   | 11.5                           |
|                                  | 27      | 6075      | 8.5                       | 8.5                       | 8.5                   | 8.5                   | 11.5                           |
|                                  | 35      | 6115      | 8.5                       | 8.5                       | 8.5                   | 8.5                   | 11.5                           |
|                                  | 43      | 6155      | 8.5                       | 8.5                       | 8.5                   | 8.5                   | 11.5                           |
|                                  | 51      | 6195      | 8.5                       | 8.5                       | 8.5                   | 8.5                   | 11.5                           |
|                                  | 59      | 6235      | 8.5                       | 8.5                       | 8.5                   | 8.5                   | 11.5                           |
|                                  | 67      | 6275      | 8.5                       | 8.5                       | 8.5                   | 8.5                   | 11.5                           |
|                                  | 75      | 6315      | 8.5                       | 8.5                       | 8.5                   | 8.5                   | 11.5                           |
|                                  | 83      | 6355      | 8.5                       | 8.5                       | 8.5                   | 8.5                   | 11.5                           |
| 91                               | 6395    | 8.5       | 8.5                       | 8.5                       | 8.5                   | 11.5                  |                                |
| 802.11ax HE80                    | 7       | 5975      | 8.5                       | 8.5                       | 8.5                   | 8.5                   | 11.5                           |
|                                  | 23      | 6055      | 8.5                       | 8.5                       | 8.5                   | 8.5                   | 11.5                           |
|                                  | 39      | 6135      | 8.5                       | 8.5                       | 8.5                   | 8.5                   | 11.5                           |
|                                  | 55      | 6215      | 8.5                       | 8.5                       | 8.5                   | 8.5                   | 11.5                           |
|                                  | 71      | 6295      | 8.5                       | 8.5                       | 8.5                   | 8.5                   | 11.5                           |
| 87                               | 6375    | 8.5       | 8.5                       | 8.5                       | 8.5                   | 11.5                  |                                |
| 802.11ax HE160                   | 15      | 6015      | 8.5                       | 8.5                       | 8.5                   | 8.5                   | 11.5                           |
|                                  | 47      | 6175      | 8.5                       | 8.5                       | 8.5                   | 8.5                   | 11.5                           |
|                                  | 79      | 6335      | 8.5                       | 8.5                       | 8.5                   | 8.5                   | 11.5                           |

| WLAN Tune-up Power - Tablet Mode |         |           |                           |                           |                       |                       |                                |
|----------------------------------|---------|-----------|---------------------------|---------------------------|-----------------------|-----------------------|--------------------------------|
| UNII-6                           |         |           |                           |                           |                       |                       |                                |
| Mode                             | Channel | Frequency | SISO Ant 0<br>Max Tune up | SISO Ant 1<br>Max Tune up | MIMO Ant 0<br>Tune up | MIMO Ant 1<br>Tune up | MIMO Ant<br>0+1<br>Max Tune up |
| 802.11ax HE20                    | 97      | 6425      | 5.5                       | 5.5                       | 5.5                   | 5.5                   | 8.5                            |
|                                  | 101     | 6445      | 5.5                       | 5.5                       | 5.5                   | 5.5                   | 8.5                            |
|                                  | 105     | 6465      | 5.5                       | 5.5                       | 5.5                   | 5.5                   | 8.5                            |
|                                  | 109     | 6485      | 5.5                       | 5.5                       | 5.5                   | 5.5                   | 8.5                            |
|                                  | 113     | 6505      | 5.5                       | 5.5                       | 5.5                   | 5.5                   | 8.5                            |
|                                  | 117     | 6525      | 5.5                       | 5.5                       | 5.5                   | 5.5                   | 8.5                            |
| 802.11ax HE40                    | 99      | 6435      | 8.5                       | 8.5                       | 8.5                   | 8.5                   | 11.5                           |
|                                  | 107     | 6475      | 8.5                       | 8.5                       | 8.5                   | 8.5                   | 11.5                           |
|                                  | 115     | 6515      | 8.5                       | 8.5                       | 8.5                   | 8.5                   | 11.5                           |
| 802.11ax HE80                    | 103     | 6455      | 8.5                       | 8.5                       | 8.5                   | 8.5                   | 11.5                           |
|                                  | 119     | 6535      | 8.5                       | 8.5                       | 8.5                   | 8.5                   | 11.5                           |
| 802.11ax HE160                   | 111     | 6495      | 8.5                       | 8.5                       | 8.5                   | 8.5                   | 11.5                           |

| WLAN Tune-up Power - Tablet Mode |         |           |                           |                           |                       |                       |                                |
|----------------------------------|---------|-----------|---------------------------|---------------------------|-----------------------|-----------------------|--------------------------------|
| UNII-7                           |         |           |                           |                           |                       |                       |                                |
| Mode                             | Channel | Frequency | SISO Ant 0<br>Max Tune up | SISO Ant 1<br>Max Tune up | MIMO Ant 0<br>Tune up | MIMO Ant 1<br>Tune up | MIMO Ant<br>0+1<br>Max Tune up |
| 802.11ax HE20                    | 121     | 6545      | 5.5                       | 5.5                       | 5.5                   | 5.5                   | 8.5                            |
|                                  | 125     | 6565      | 5.5                       | 5.5                       | 5.5                   | 5.5                   | 8.5                            |
|                                  | 129     | 6585      | 5.5                       | 5.5                       | 5.5                   | 5.5                   | 8.5                            |
|                                  | 133     | 6605      | 5.5                       | 5.5                       | 5.5                   | 5.5                   | 8.5                            |
|                                  | 137     | 6625      | 5.5                       | 5.5                       | 5.5                   | 5.5                   | 8.5                            |
|                                  | 141     | 6645      | 5.5                       | 5.5                       | 5.5                   | 5.5                   | 8.5                            |
|                                  | 145     | 6665      | 5.5                       | 5.5                       | 5.5                   | 5.5                   | 8.5                            |
|                                  | 149     | 6685      | 5.5                       | 5.5                       | 5.5                   | 5.5                   | 8.5                            |
|                                  | 153     | 6705      | 5.5                       | 5.5                       | 5.5                   | 5.5                   | 8.5                            |
|                                  | 157     | 6725      | 5.5                       | 5.5                       | 5.5                   | 5.5                   | 8.5                            |
|                                  | 161     | 6745      | 5.5                       | 5.5                       | 5.5                   | 5.5                   | 8.5                            |
|                                  | 165     | 6765      | 5.5                       | 5.5                       | 5.5                   | 5.5                   | 8.5                            |
|                                  | 169     | 6785      | 5.5                       | 5.5                       | 5.5                   | 5.5                   | 8.5                            |
|                                  | 173     | 6805      | 5.5                       | 5.5                       | 5.5                   | 5.5                   | 8.5                            |
|                                  | 177     | 6825      | 5.5                       | 5.5                       | 5.5                   | 5.5                   | 8.5                            |
|                                  | 181     | 6845      | 5.5                       | 5.5                       | 5.5                   | 5.5                   | 8.5                            |
| 185                              | 6865    | 5.5       | 5.5                       | 5.5                       | 5.5                   | 8.5                   |                                |
| 802.11ax HE40                    | 123     | 6555      | 8.5                       | 8.5                       | 8.5                   | 8.5                   | 11.5                           |
|                                  | 131     | 6595      | 8.5                       | 8.5                       | 8.5                   | 8.5                   | 11.5                           |
|                                  | 139     | 6635      | 8.5                       | 8.5                       | 8.5                   | 8.5                   | 11.5                           |
|                                  | 147     | 6675      | 8.5                       | 8.5                       | 8.5                   | 8.5                   | 11.5                           |
|                                  | 155     | 6715      | 8.5                       | 8.5                       | 8.5                   | 8.5                   | 11.5                           |
|                                  | 163     | 6755      | 8.5                       | 8.5                       | 8.5                   | 8.5                   | 11.5                           |
|                                  | 171     | 6795      | 8.5                       | 8.5                       | 8.5                   | 8.5                   | 11.5                           |
|                                  | 179     | 6835      | 8.5                       | 8.5                       | 8.5                   | 8.5                   | 11.5                           |
| 187                              | 6875    | 8.5       | 8.5                       | 8.5                       | 8.5                   | 11.5                  |                                |
| 802.11ax HE80                    | 135     | 6615      | 8.5                       | 8.5                       | 8.5                   | 8.5                   | 11.5                           |
|                                  | 151     | 6695      | 8.5                       | 8.5                       | 8.5                   | 8.5                   | 11.5                           |
|                                  | 167     | 6775      | 8.5                       | 8.5                       | 8.5                   | 8.5                   | 11.5                           |
|                                  | 183     | 6855      | 8.5                       | 8.5                       | 8.5                   | 8.5                   | 11.5                           |
| 802.11ax HE160                   | 143     | 6655      | 8.5                       | 8.5                       | 8.5                   | 8.5                   | 11.5                           |
|                                  | 175     | 6815      | 8.5                       | 8.5                       | 8.5                   | 8.5                   | 11.5                           |

| WLAN Tune-up Power - Tablet Mode |         |           |                           |                           |                       |                       |                                |
|----------------------------------|---------|-----------|---------------------------|---------------------------|-----------------------|-----------------------|--------------------------------|
| UNII-8                           |         |           |                           |                           |                       |                       |                                |
| Mode                             | Channel | Frequency | SISO Ant 0<br>Max Tune up | SISO Ant 1<br>Max Tune up | MIMO Ant 0<br>Tune up | MIMO Ant 1<br>Tune up | MIMO Ant<br>0+1<br>Max Tune up |
| 802.11ax HE20                    | 189     | 6885      | 5.5                       | 5.5                       | 5.5                   | 5.5                   | 8.5                            |
|                                  | 193     | 6905      | 5.5                       | 5.5                       | 5.5                   | 5.5                   | 8.5                            |
|                                  | 197     | 6925      | 5.5                       | 5.5                       | 5.5                   | 5.5                   | 8.5                            |
|                                  | 201     | 6945      | 5.5                       | 5.5                       | 5.5                   | 5.5                   | 8.5                            |
|                                  | 205     | 6965      | 5.5                       | 5.5                       | 5.5                   | 5.5                   | 8.5                            |
|                                  | 209     | 6985      | 5.5                       | 5.5                       | 5.5                   | 5.5                   | 8.5                            |
|                                  | 213     | 7005      | 5.5                       | 5.5                       | 5.5                   | 5.5                   | 8.5                            |
|                                  | 217     | 7025      | 5.5                       | 5.5                       | 5.5                   | 5.5                   | 8.5                            |
|                                  | 221     | 7045      | 5.5                       | 5.5                       | 5.5                   | 5.5                   | 8.5                            |
|                                  | 225     | 7065      | 5.5                       | 5.5                       | 5.5                   | 5.5                   | 8.5                            |
|                                  | 229     | 7085      | 5.5                       | 5.5                       | 5.5                   | 5.5                   | 8.5                            |
|                                  | 233     | 7105      | 3.0                       | 3.0                       | 3.0                   | 3.0                   | 6.0                            |
| 802.11ax HE40                    | 195     | 6915      | 8.5                       | 8.5                       | 8.5                   | 8.5                   | 11.5                           |
|                                  | 203     | 6955      | 8.5                       | 8.5                       | 8.5                   | 8.5                   | 11.5                           |
|                                  | 211     | 6995      | 8.5                       | 8.5                       | 8.5                   | 8.5                   | 11.5                           |
|                                  | 219     | 7035      | 8.5                       | 8.5                       | 8.5                   | 8.5                   | 11.5                           |
|                                  | 227     | 7075      | 8.5                       | 8.5                       | 8.5                   | 8.5                   | 11.5                           |
| 802.11ax HE80                    | 199     | 6935      | 8.5                       | 8.5                       | 8.5                   | 8.5                   | 11.5                           |
|                                  | 215     | 7015      | 8.5                       | 8.5                       | 8.5                   | 8.5                   | 11.5                           |
| 802.11ax HE160                   | 207     | 6975      | 8.5                       | 8.5                       | 8.5                   | 8.5                   | 11.5                           |



## **Annex E. Measured Conducted Power Result**

The measuring conducted power (Unit: dBm) are shown as below.

| Conducted Power - Laptop Mode |         |           |                          |
|-------------------------------|---------|-----------|--------------------------|
| WLAN2.4GHz Ant 0              |         |           |                          |
| Mode                          | Channel | Frequency | SISO Ant 0<br>Avg. Power |
| 802.11b                       | 1       | 2412      | 18.95                    |
|                               | 6       | 2437      | 18.71                    |
|                               | 11      | 2462      | 18.82                    |
|                               | 12      | 2467      | 18.9                     |
|                               | 13      | 2472      | 18.94                    |

| Conducted Power - Laptop Mode |         |           |                       |
|-------------------------------|---------|-----------|-----------------------|
| WLAN2.4GHz Ant 1              |         |           |                       |
| Mode                          | Channel | Frequency | SISO Ant 1 Avg. Power |
| 802.11b                       | 1       | 2412      | 18.96                 |
|                               | 6       | 2437      | 18.89                 |
|                               | 11      | 2462      | 18.94                 |
|                               | 12      | 2467      | 18.97                 |
|                               | 13      | 2472      | 18.41                 |

| Conducted Power - Laptop Mode |         |           |                          |                          |                               |
|-------------------------------|---------|-----------|--------------------------|--------------------------|-------------------------------|
| WLAN2.4GHz Ant 0+1            |         |           |                          |                          |                               |
| Mode                          | Channel | Frequency | MIMO Ant 0<br>Avg. Power | MIMO Ant 1<br>Avg. Power | MIMO Ant<br>0+1<br>Avg. Power |
| 802.11n HT40                  | 3       | 2422      | 15.2                     | 15.27                    | 18.25                         |
|                               | 6       | 2437      | 17.6                     | 18.12                    | 20.88                         |
|                               | 9       | 2452      | 15.36                    | 15.52                    | 18.45                         |
|                               | 10      | 2457      | 12.28                    | 12.43                    | 15.37                         |
|                               | 11      | 2462      | 11.22                    | 11.24                    | 14.24                         |

| Conducted Power - Laptop Mode |         |           |                       |
|-------------------------------|---------|-----------|-----------------------|
| Bluetooth Ant 1               |         |           |                       |
| Mode                          | Channel | Frequency | SISO Ant 1 Avg. Power |
| BR / EDR                      | 0       | 2402      | 9.92                  |
|                               | 39      | 2441      | 10.1                  |
|                               | 78      | 2480      | 10.34                 |
| LE                            | 0       | 2402      | 8.57                  |
|                               | 19      | 2440      | 8.81                  |
|                               | 39      | 2480      | 9.05                  |

| Conducted Power - Laptop Mode |         |           |                          |
|-------------------------------|---------|-----------|--------------------------|
| WLAN 5.3GHz Ant 0             |         |           |                          |
| Mode                          | Channel | Frequency | SISO Ant 0<br>Avg. Power |
| 802.11ac VHT160               | 50      | 5250      | 10.97                    |

| Conducted Power - Laptop Mode |         |           |                          |
|-------------------------------|---------|-----------|--------------------------|
| WLAN 5.3GHz Ant 1             |         |           |                          |
| Mode                          | Channel | Frequency | SISO Ant 1<br>Avg. Power |
| 802.11ac VHT160               | 50      | 5250      | 10.79                    |

| Conducted Power - Laptop Mode |         |           |                          |                          |                               |
|-------------------------------|---------|-----------|--------------------------|--------------------------|-------------------------------|
| WLAN 5.3GHz Ant 0+1           |         |           |                          |                          |                               |
| Mode                          | Channel | Frequency | MIMO Ant 0<br>Avg. Power | MIMO Ant 1<br>Avg. Power | MIMO Ant<br>0+1<br>Avg. Power |
| 802.11ac VHT160               | 50      | 5250      | 10.99                    | 10.95                    | 13.98                         |



| Conducted Power - Laptop Mode |         |           |                          |
|-------------------------------|---------|-----------|--------------------------|
| WLAN 5.6GHz Ant 0             |         |           |                          |
| Mode                          | Channel | Frequency | SISO Ant 0<br>Avg. Power |
| 802.11ac VHT160               | 114     | 5570      | 10.75                    |

| Conducted Power - Laptop Mode |         |           |                          |
|-------------------------------|---------|-----------|--------------------------|
| WLAN 5.6GHz Ant 1             |         |           |                          |
| Mode                          | Channel | Frequency | SISO Ant 1<br>Avg. Power |
| 802.11ac VHT160               | 114     | 5570      | 10.75                    |

### Conducted Power - Laptop Mode

#### WLAN 5.6GHz Ant 0+1

| Mode            | Channel | Frequency | MIMO Ant 0<br>Avg. Power | MIMO Ant 1<br>Avg. Power | MIMO Ant<br>0+1<br>Avg. Power |
|-----------------|---------|-----------|--------------------------|--------------------------|-------------------------------|
| 802.11ac VHT160 | 114     | 5570      | 10.85                    | 10.97                    | 13.92                         |

| Conducted Power - Laptop Mode |         |           |                          |
|-------------------------------|---------|-----------|--------------------------|
| WLAN 5.8GHz Ant 0             |         |           |                          |
| Mode                          | Channel | Frequency | SISO Ant 0<br>Avg. Power |
| 802.11ac VHT80                | 155     | 5775      | 10.79                    |

| Conducted Power - Laptop Mode |         |           |                          |
|-------------------------------|---------|-----------|--------------------------|
| WLAN 5.8GHz Ant 1             |         |           |                          |
| Mode                          | Channel | Frequency | SISO Ant 1<br>Avg. Power |
| 802.11ac VHT80                | 155     | 5775      | 10.88                    |

| Conducted Power - Laptop Mode |         |           |                          |                          |                               |
|-------------------------------|---------|-----------|--------------------------|--------------------------|-------------------------------|
| WLAN 5.8GHz Ant 0+1           |         |           |                          |                          |                               |
| Mode                          | Channel | Frequency | MIMO Ant 0<br>Avg. Power | MIMO Ant 1<br>Avg. Power | MIMO Ant<br>0+1<br>Avg. Power |
| 802.11ac VHT80                | 155     | 5775      | 10.79                    | 10.89                    | 13.85                         |

| Conducted Power - Laptop Mode |         |           |                          |
|-------------------------------|---------|-----------|--------------------------|
| UNII-5 Ant 0                  |         |           |                          |
| Mode                          | Channel | Frequency | SISO Ant 0<br>Avg. Power |
| 802.11ax HE160                | 15      | 6025      | 10.45                    |
|                               | 47      | 6185      | 10.44                    |
|                               | 79      | 6345      | 10.39                    |

| Conducted Power - Laptop Mode |         |           |                          |
|-------------------------------|---------|-----------|--------------------------|
| UNII-5 Ant 1                  |         |           |                          |
| Mode                          | Channel | Frequency | SISO Ant 1<br>Avg. Power |
| 802.11ax HE160                | 15      | 6025      | 10.31                    |
|                               | 47      | 6185      | 10.3                     |
|                               | 79      | 6345      | 10.25                    |



| Conducted Power - Laptop Mode |         |           |                          |                          |                               |
|-------------------------------|---------|-----------|--------------------------|--------------------------|-------------------------------|
| UNII-5 Ant 0+1                |         |           |                          |                          |                               |
| Mode                          | Channel | Frequency | MIMO Ant 0<br>Avg. Power | MIMO Ant 1<br>Avg. Power | MIMO Ant<br>0+1<br>Avg. Power |
| 802.11ax HE160                | 15      | 6025      | 10.45                    | 10.31                    | 13.39                         |
|                               | 47      | 6185      | 10.44                    | 10.3                     | 13.38                         |
|                               | 79      | 6345      | 10.39                    | 10.25                    | 13.33                         |

| Conducted Power - Laptop Mode |         |           |                          |
|-------------------------------|---------|-----------|--------------------------|
| UNII-6 Ant 0                  |         |           |                          |
| Mode                          | Channel | Frequency | SISO Ant 0<br>Avg. Power |
| 802.11ax HE160                | 111     | 6505      | 10.41                    |

| Conducted Power - Laptop Mode |         |           |                          |
|-------------------------------|---------|-----------|--------------------------|
| UNII-6 Ant 1                  |         |           |                          |
| Mode                          | Channel | Frequency | SISO Ant 1<br>Avg. Power |
| 802.11ax HE160                | 111     | 6505      | 10.28                    |

| Conducted Power - Laptop Mode |         |           |                          |                          |                               |
|-------------------------------|---------|-----------|--------------------------|--------------------------|-------------------------------|
| UNII-6 Ant 0+1                |         |           |                          |                          |                               |
| Mode                          | Channel | Frequency | MIMO Ant 0<br>Avg. Power | MIMO Ant 1<br>Avg. Power | MIMO Ant<br>0+1<br>Avg. Power |
| 802.11ax HE160                | 111     | 6505      | 10.41                    | 10.28                    | 13.36                         |

| Conducted Power - Laptop Mode |         |           |                          |
|-------------------------------|---------|-----------|--------------------------|
| UNII-7 Ant 0                  |         |           |                          |
| Mode                          | Channel | Frequency | SISO Ant 0<br>Avg. Power |
| 802.11ax HE160                | 143     | 6665      | 10.36                    |
|                               | 175     | 6825      | 10.4                     |

| Conducted Power - Laptop Mode |         |           |                          |
|-------------------------------|---------|-----------|--------------------------|
| UNII-7 Ant 1                  |         |           |                          |
| Mode                          | Channel | Frequency | SISO Ant 1<br>Avg. Power |
| 802.11ax HE160                | 143     | 6665      | 10.22                    |
|                               | 175     | 6825      | 10.3                     |

**Conducted Power - Laptop Mode****UNII-7 Ant 0+1**

| Mode           | Channel | Frequency | MIMO Ant 0<br>Avg. Power | MIMO Ant 1<br>Avg. Power | MIMO Ant<br>0+1<br>Avg. Power |
|----------------|---------|-----------|--------------------------|--------------------------|-------------------------------|
| 802.11ax HE160 | 143     | 6665      | 10.36                    | 10.22                    | 13.3                          |
|                | 175     | 6825      | 10.4                     | 10.3                     | 13.36                         |

| Conducted Power - Laptop Mode |         |           |                          |
|-------------------------------|---------|-----------|--------------------------|
| UNII-8 Ant 0                  |         |           |                          |
| Mode                          | Channel | Frequency | SISO Ant 0<br>Avg. Power |
| 802.11ax HE160                | 207     | 6985      | 10.41                    |



| Conducted Power - Laptop Mode |         |           |                          |
|-------------------------------|---------|-----------|--------------------------|
| UNII-8 Ant 1                  |         |           |                          |
| Mode                          | Channel | Frequency | SISO Ant 1<br>Avg. Power |
| 802.11ax HE160                | 207     | 6985      | 10.29                    |

### Conducted Power - Laptop Mode

#### UNII-8 Ant 0+1

| Mode           | Channel | Frequency | MIMO Ant 0<br>Avg. Power | MIMO Ant 1<br>Avg. Power | MIMO Ant<br>0+1<br>Avg. Power |
|----------------|---------|-----------|--------------------------|--------------------------|-------------------------------|
| 802.11ax HE160 | 207     | 6985      | 10.41                    | 10.29                    | 13.36                         |

| Conducted Power -Tablet Mode |         |           |                          |
|------------------------------|---------|-----------|--------------------------|
| WLAN2.4GHz Ant 0             |         |           |                          |
| Mode                         | Channel | Frequency | SISO Ant 0<br>Avg. Power |
| 802.11b                      | 1       | 2412      | 13.97                    |
|                              | 6       | 2437      | 13.8                     |
|                              | 11      | 2462      | 13.93                    |
|                              | 12      | 2467      | 13.91                    |
|                              | 13      | 2472      | 13.85                    |

| Conducted Power -Tablet Mode |         |           |                          |
|------------------------------|---------|-----------|--------------------------|
| WLAN2.4GHz Ant 1             |         |           |                          |
| Mode                         | Channel | Frequency | SISO Ant 1<br>Avg. Power |
| 802.11b                      | 1       | 2412      | 13.9                     |
|                              | 6       | 2437      | 13.85                    |
|                              | 11      | 2462      | 13.87                    |
|                              | 12      | 2467      | 13.8                     |
|                              | 13      | 2472      | 13.77                    |

**Conducted Power -Tablet Mode****WLAN2.4GHz Ant 0+1**

| Mode         | Channel | Frequency | MIMO Ant 0<br>Avg. Power | MIMO Ant 1<br>Avg. Power | MIMO Ant<br>0+1<br>Avg. Power |
|--------------|---------|-----------|--------------------------|--------------------------|-------------------------------|
| 802.11n HT40 | 3       | 2422      | 13.98                    | 13.81                    | 16.91                         |
|              | 6       | 2437      | 13.89                    | 13.68                    | 16.8                          |
|              | 9       | 2452      | 13.88                    | 13.65                    | 16.78                         |
|              | 10      | 2457      | 12.28                    | 12.43                    | 15.37                         |
|              | 11      | 2462      | 11.22                    | 11.24                    | 14.24                         |

| Conducted Power -Tablet Mode |         |           |                          |
|------------------------------|---------|-----------|--------------------------|
| Bluetooth Ant 1              |         |           |                          |
| Mode                         | Channel | Frequency | SISO Ant 1<br>Avg. Power |
| BR / EDR                     | 0       | 2402      | 9.92                     |
|                              | 39      | 2441      | 10.1                     |
|                              | 78      | 2480      | 10.34                    |
| LE                           | 0       | 2402      | 8.57                     |
|                              | 19      | 2440      | 8.81                     |
|                              | 39      | 2480      | 9.05                     |

| Conducted Power -Tablet Mode |         |           |                          |
|------------------------------|---------|-----------|--------------------------|
| WLAN 5.3GHz Ant 0            |         |           |                          |
| Mode                         | Channel | Frequency | SISO Ant 0<br>Avg. Power |
| 802.11ac VHT160              | 50      | 5250      | 11.32                    |

| Conducted Power -Tablet Mode |         |           |                          |
|------------------------------|---------|-----------|--------------------------|
| WLAN 5.3GHz Ant 1            |         |           |                          |
| Mode                         | Channel | Frequency | SISO Ant 1<br>Avg. Power |
| 802.11ac VHT160              | 50      | 5250      | 11.39                    |



**Conducted Power -Tablet Mode****WLAN 5.3GHz Ant 0+1**

| Mode            | Channel | Frequency | MIMO Ant 0<br>Avg. Power | MIMO Ant 1<br>Avg. Power | MIMO Ant<br>0+1<br>Avg. Power |
|-----------------|---------|-----------|--------------------------|--------------------------|-------------------------------|
| 802.11ac VHT160 | 50      | 5250      | 11.32                    | 11.39                    | 14.37                         |

| Conducted Power -Tablet Mode |         |           |                          |
|------------------------------|---------|-----------|--------------------------|
| WLAN 5.6GHz Ant 0            |         |           |                          |
| Mode                         | Channel | Frequency | SISO Ant 0<br>Avg. Power |
| 802.11ac VHT160              | 114     | 5570      | 11.33                    |

| Conducted Power -Tablet Mode |         |           |                          |
|------------------------------|---------|-----------|--------------------------|
| WLAN 5.6GHz Ant 1            |         |           |                          |
| Mode                         | Channel | Frequency | SISO Ant 1<br>Avg. Power |
| 802.11ac VHT160              | 114     | 5570      | 11.45                    |

### Conducted Power -Tablet Mode

#### WLAN 5.6GHz Ant 0+1

| Mode            | Channel | Frequency | MIMO Ant 0<br>Avg. Power | MIMO Ant 1<br>Avg. Power | MIMO Ant<br>0+1<br>Avg. Power |
|-----------------|---------|-----------|--------------------------|--------------------------|-------------------------------|
| 802.11ac VHT160 | 114     | 5570      | 11.33                    | 11.45                    | 14.4                          |

| Conducted Power -Tablet Mode |         |           |                          |
|------------------------------|---------|-----------|--------------------------|
| WLAN 5.8GHz Ant 0            |         |           |                          |
| Mode                         | Channel | Frequency | SISO Ant 0<br>Avg. Power |
| 802.11ac VHT80               | 155     | 5775      | 11.25                    |

| Conducted Power -Tablet Mode |         |           |                          |
|------------------------------|---------|-----------|--------------------------|
| WLAN 5.8GHz Ant 1            |         |           |                          |
| Mode                         | Channel | Frequency | SISO Ant 1<br>Avg. Power |
| 802.11ac VHT80               | 155     | 5775      | 11.31                    |

**Conducted Power -Tablet Mode****WLAN 5.8GHz Ant 0+1**

| Mode           | Channel | Frequency | MIMO Ant 0<br>Avg. Power | MIMO Ant 1<br>Avg. Power | MIMO Ant<br>0+1<br>Avg. Power |
|----------------|---------|-----------|--------------------------|--------------------------|-------------------------------|
| 802.11ac VHT80 | 155     | 5775      | 11.25                    | 11.31                    | 14.29                         |

| Conducted Power -Tablet Mode |         |           |                          |
|------------------------------|---------|-----------|--------------------------|
| UNII-5 Ant 0                 |         |           |                          |
| Mode                         | Channel | Frequency | SISO Ant 0<br>Avg. Power |
| 802.11ax HE160               | 15      | 6025      | 8.49                     |
|                              | 47      | 6185      | 8.3                      |
|                              | 79      | 6345      | 8.4                      |



| Conducted Power -Tablet Mode |         |           |                          |
|------------------------------|---------|-----------|--------------------------|
| UNII-5 Ant 1                 |         |           |                          |
| Mode                         | Channel | Frequency | SISO Ant 1<br>Avg. Power |
| 802.11ax HE160               | 15      | 6025      | 8.43                     |
|                              | 47      | 6185      | 8.27                     |
|                              | 79      | 6345      | 8.3                      |

| Conducted Power -Tablet Mode |         |           |                          |                          |                               |
|------------------------------|---------|-----------|--------------------------|--------------------------|-------------------------------|
| UNII-5 Ant 0+1               |         |           |                          |                          |                               |
| Mode                         | Channel | Frequency | MIMO Ant 0<br>Avg. Power | MIMO Ant 1<br>Avg. Power | MIMO Ant<br>0+1<br>Avg. Power |
| 802.11ax HE160               | 15      | 6025      | 8.49                     | 8.24                     | 11.38                         |
|                              | 47      | 6185      | 8.4                      | 8.31                     | 11.37                         |
|                              | 79      | 6345      | 8.49                     | 7.98                     | 11.25                         |

| Conducted Power -Tablet Mode |         |           |                          |
|------------------------------|---------|-----------|--------------------------|
| UNII-6 Ant 0                 |         |           |                          |
| Mode                         | Channel | Frequency | SISO Ant 0<br>Avg. Power |
| 802.11ax HE160               | 111     | 6505      | 8.45                     |

| Conducted Power -Tablet Mode |         |           |                          |
|------------------------------|---------|-----------|--------------------------|
| UNII-6 Ant 1                 |         |           |                          |
| Mode                         | Channel | Frequency | SISO Ant 1<br>Avg. Power |
| 802.11ax HE160               | 111     | 6505      | 8.33                     |

| Conducted Power -Tablet Mode |         |           |                          |                          |                               |
|------------------------------|---------|-----------|--------------------------|--------------------------|-------------------------------|
| UNII-6 Ant 0+1               |         |           |                          |                          |                               |
| Mode                         | Channel | Frequency | MIMO Ant 0<br>Avg. Power | MIMO Ant 1<br>Avg. Power | MIMO Ant<br>0+1<br>Avg. Power |
| 802.11ax HE160               | 111     | 6505      | 8.48                     | 7.9                      | 11.21                         |

| Conducted Power -Tablet Mode |         |           |                          |
|------------------------------|---------|-----------|--------------------------|
| UNII-7 Ant 0                 |         |           |                          |
| Mode                         | Channel | Frequency | SISO Ant 0<br>Avg. Power |
| 802.11ax HE160               | 143     | 6665      | 8.32                     |
|                              | 175     | 6825      | 8.41                     |

| Conducted Power -Tablet Mode |         |           |                          |
|------------------------------|---------|-----------|--------------------------|
| UNII-7 Ant 1                 |         |           |                          |
| Mode                         | Channel | Frequency | SISO Ant 1<br>Avg. Power |
| 802.11ax HE160               | 143     | 6665      | 8.37                     |
|                              | 175     | 6825      | 8.39                     |

| Conducted Power -Tablet Mode |         |           |                          |                          |                               |
|------------------------------|---------|-----------|--------------------------|--------------------------|-------------------------------|
| UNII-7 Ant 0+1               |         |           |                          |                          |                               |
| Mode                         | Channel | Frequency | MIMO Ant 0<br>Avg. Power | MIMO Ant 1<br>Avg. Power | MIMO Ant<br>0+1<br>Avg. Power |
| 802.11ax HE160               | 143     | 6665      | 8.35                     | 7.63                     | 11.02                         |
|                              | 175     | 6825      | 8.44                     | 8.09                     | 11.28                         |



| Conducted Power -Tablet Mode |         |           |                          |
|------------------------------|---------|-----------|--------------------------|
| UNII-8 Ant 0                 |         |           |                          |
| Mode                         | Channel | Frequency | SISO Ant 0<br>Avg. Power |
| 802.11ax HE160               | 207     | 6985      | 8.46                     |

| Conducted Power -Tablet Mode |         |           |                          |
|------------------------------|---------|-----------|--------------------------|
| UNII-8 Ant 1                 |         |           |                          |
| Mode                         | Channel | Frequency | SISO Ant 1<br>Avg. Power |
| 802.11ax HE160               | 207     | 6985      | 8.4                      |

| Conducted Power -Tablet Mode |         |           |                          |                          |                               |
|------------------------------|---------|-----------|--------------------------|--------------------------|-------------------------------|
| UNII-8 Ant 0+1               |         |           |                          |                          |                               |
| Mode                         | Channel | Frequency | MIMO Ant 0<br>Avg. Power | MIMO Ant 1<br>Avg. Power | MIMO Ant<br>0+1<br>Avg. Power |
| 802.11ax HE160               | 207     | 6985      | 8.47                     | 8.22                     | 11.36                         |

## **Annex F. SAR and Power Density Test Result**

SAR Results for Body Exposure Condition.

### **Note:**

1. SAR testing for WLAN was performed on the maximum power mode.
2. The “< 0.001” means there is no SAR value or the SAR is too low to be measured.

## Body SAR Test Result

| System & Position |          |              |               |                          |         | DUT & Accessory |         | SAR        |              |                          |                                |                |                  |                        |                      |
|-------------------|----------|--------------|---------------|--------------------------|---------|-----------------|---------|------------|--------------|--------------------------|--------------------------------|----------------|------------------|------------------------|----------------------|
| Plot No.          | Band     | Mode         | Test Position | Separation Distance (mm) | Channel | Antenna         | Ant     | Duty Cycle | Crest Factor | Max. Tune-up Power (dBm) | Measured Conducted Power (dBm) | Scaling Factor | Power Drift (dB) | Measured SAR-1g (W/kg) | Scaled SAR-1g (W/kg) |
|                   |          |              |               |                          |         | Manufacturer    | Status  |            |              |                          |                                |                |                  |                        |                      |
| 1                 | WLAN2.4G | 802.11b      | Bottom-Laptop | 0                        | 1       | Pulse           | Ant 0   | 99.30      | 1.01         | 19.00                    | 18.95                          | 1.01           | -0.01            | 1.12                   | 1.14                 |
|                   | WLAN2.4G | 802.11b      | Bottom-Laptop | 0                        | 12      | Pulse           | Ant 1   | 99.30      | 1.01         | 19.00                    | 18.97                          | 1.01           | 0.02             | 0.843                  | 0.86                 |
|                   | WLAN2.4G | 802.11n HT40 | Bottom-Laptop | 0                        | 6       | Pulse           | Ant 0+1 | 99.50      | 1.01         | 22.00                    | 20.88                          | 1.29           | 0.05             | 0.741                  | 0.97                 |
|                   | WLAN2.4G | 802.11b      | Rear Face     | 0                        | 1       | Pulse           | Ant 0   | 99.30      | 1.01         | 14.00                    | 13.97                          | 1.01           | 0.06             | 0.389                  | 0.40                 |
|                   | WLAN2.4G | 802.11b      | Left Side     | 0                        | 1       | Pulse           | Ant 0   | 99.30      | 1.01         | 14.00                    | 13.97                          | 1.01           | -0.01            | 0.032                  | 0.03                 |
|                   | WLAN2.4G | 802.11b      | Right Side    | 0                        | 1       | Pulse           | Ant 0   | 99.30      | 1.01         | 14.00                    | 13.97                          | 1.01           | 0                | <0.001                 | 0.00                 |
|                   | WLAN2.4G | 802.11b      | Top Side      | 0                        | 1       | Pulse           | Ant 0   | 99.30      | 1.01         | 14.00                    | 13.97                          | 1.01           | 0                | <0.001                 | 0.00                 |
|                   | WLAN2.4G | 802.11b      | Bottom Side   | 0                        | 1       | Pulse           | Ant 0   | 99.30      | 1.01         | 14.00                    | 13.97                          | 1.01           | 0.07             | 0.797                  | 0.81                 |
|                   | WLAN2.4G | 802.11b      | Rear Face     | 0                        | 1       | Pulse           | Ant 1   | 99.30      | 1.01         | 14.00                    | 13.90                          | 1.02           | 0.09             | 0.257                  | 0.26                 |
|                   | WLAN2.4G | 802.11b      | Left Side     | 0                        | 1       | Pulse           | Ant 1   | 99.30      | 1.01         | 14.00                    | 13.90                          | 1.02           | 0                | <0.001                 | 0.00                 |
|                   | WLAN2.4G | 802.11b      | Right Side    | 0                        | 1       | Pulse           | Ant 1   | 99.30      | 1.01         | 14.00                    | 13.90                          | 1.02           | 0                | <0.001                 | 0.00                 |
|                   | WLAN2.4G | 802.11b      | Top Side      | 0                        | 1       | Pulse           | Ant 1   | 99.30      | 1.01         | 14.00                    | 13.90                          | 1.02           | 0                | <0.001                 | 0.00                 |
|                   | WLAN2.4G | 802.11b      | Bottom Side   | 0                        | 1       | Pulse           | Ant 1   | 99.30      | 1.01         | 14.00                    | 13.90                          | 1.02           | 0.1              | 0.663                  | 0.68                 |
|                   | WLAN2.4G | 802.11n HT40 | Rear Face     | 0                        | 3       | Pulse           | Ant 0+1 | 99.50      | 1.01         | 17.00                    | 16.91                          | 1.02           | -0.12            | 0.362                  | 0.37                 |
|                   | WLAN2.4G | 802.11n HT40 | Left Side     | 0                        | 3       | Pulse           | Ant 0+1 | 99.50      | 1.01         | 17.00                    | 16.91                          | 1.02           | 0.18             | 0.042                  | 0.04                 |
|                   | WLAN2.4G | 802.11n HT40 | Right Side    | 0                        | 3       | Pulse           | Ant 0+1 | 99.50      | 1.01         | 17.00                    | 16.91                          | 1.02           | 0                | <0.001                 | 0.00                 |
|                   | WLAN2.4G | 802.11n HT40 | Top Side      | 0                        | 3       | Pulse           | Ant 0+1 | 99.50      | 1.01         | 17.00                    | 16.91                          | 1.02           | 0                | <0.001                 | 0.00                 |
|                   | WLAN2.4G | 802.11n HT40 | Bottom Side   | 0                        | 3       | Pulse           | Ant 0+1 | 99.50      | 1.01         | 17.00                    | 16.91                          | 1.02           | -0.07            | 0.903                  | 0.93                 |
|                   | WLAN2.4G | 802.11b      | Bottom-Laptop | 0                        | 6       | Pulse           | Ant 0   | 99.30      | 1.01         | 19.00                    | 18.71                          | 1.07           | -0.06            | 1.03                   | 1.11                 |
|                   | WLAN2.4G | 802.11b      | Bottom-Laptop | 0                        | 11      | Pulse           | Ant 0   | 99.30      | 1.01         | 19.00                    | 18.82                          | 1.04           | 0.02             | 1.09                   | 1.14                 |
|                   | WLAN2.4G | 802.11b      | Bottom-Laptop | 0                        | 12      | Pulse           | Ant 0   | 99.30      | 1.01         | 19.00                    | 18.90                          | 1.02           | 0.03             | 1.08                   | 1.11                 |
|                   | WLAN2.4G | 802.11b      | Bottom-Laptop | 0                        | 13      | Pulse           | Ant 0   | 99.30      | 1.01         | 19.00                    | 18.94                          | 1.01           | -0.03            | 0.91                   | 0.93                 |
|                   | WLAN2.4G | 802.11b      | Bottom-Laptop | 0                        | 1       | Pulse           | Ant 1   | 99.30      | 1.01         | 19.00                    | 18.96                          | 1.01           | -0.05            | 0.631                  | 0.64                 |
|                   | WLAN2.4G | 802.11b      | Bottom-Laptop | 0                        | 6       | Pulse           | Ant 1   | 99.30      | 1.01         | 19.00                    | 18.89                          | 1.03           | 0.18             | 0.769                  | 0.80                 |
|                   | WLAN2.4G | 802.11b      | Bottom-Laptop | 0                        | 11      | Pulse           | Ant 1   | 99.30      | 1.01         | 19.00                    | 18.94                          | 1.01           | -0.19            | 0.629                  | 0.64                 |
|                   | WLAN2.4G | 802.11b      | Bottom-Laptop | 0                        | 13      | Pulse           | Ant 1   | 99.30      | 1.01         | 19.00                    | 18.41                          | 1.15           | 0.18             | 0.623                  | 0.72                 |
|                   | WLAN2.4G | 802.11n HT40 | Bottom-Laptop | 0                        | 3       | Pulse           | Ant 0+1 | 99.50      | 1.01         | 19.00                    | 18.25                          | 1.19           | 0.19             | 0.836                  | 1.00                 |
|                   | WLAN2.4G | 802.11n HT40 | Bottom-Laptop | 0                        | 9       | Pulse           | Ant 0+1 | 99.50      | 1.01         | 19.00                    | 18.45                          | 1.14           | 0.01             | 0.806                  | 0.93                 |
|                   | WLAN2.4G | 802.11n HT40 | Bottom-Laptop | 0                        | 10      | Pulse           | Ant 0+1 | 99.50      | 1.01         | 16.00                    | 15.37                          | 1.16           | 0.03             | 0.472                  | 0.55                 |
|                   | WLAN2.4G | 802.11n HT40 | Bottom-Laptop | 0                        | 11      | Pulse           | Ant 0+1 | 99.50      | 1.01         | 15.00                    | 14.24                          | 1.19           | -0.11            | 0.325                  | 0.39                 |
|                   | WLAN2.4G | 802.11b      | Bottom Side   | 0                        | 6       | Pulse           | Ant 0   | 99.30      | 1.01         | 14.00                    | 13.80                          | 1.05           | -0.11            | 0.761                  | 0.81                 |
|                   | WLAN2.4G | 802.11b      | Bottom Side   | 0                        | 11      | Pulse           | Ant 0   | 99.30      | 1.01         | 14.00                    | 13.93                          | 1.02           | -0.13            | 0.791                  | 0.81                 |
|                   | WLAN2.4G | 802.11b      | Bottom Side   | 0                        | 12      | Pulse           | Ant 0   | 99.30      | 1.01         | 14.00                    | 13.91                          | 1.02           | -0.19            | 0.798                  | 0.82                 |
|                   | WLAN2.4G | 802.11b      | Bottom Side   | 0                        | 13      | Pulse           | Ant 0   | 99.30      | 1.01         | 14.00                    | 13.85                          | 1.04           | 0.18             | 0.798                  | 0.84                 |
|                   | WLAN2.4G | 802.11n HT40 | Bottom Side   | 0                        | 6       | Pulse           | Ant 0+1 | 99.50      | 1.01         | 17.00                    | 16.80                          | 1.05           | -0.01            | 0.881                  | 0.93                 |
|                   | WLAN2.4G | 802.11n HT40 | Bottom Side   | 0                        | 9       | Pulse           | Ant 0+1 | 99.50      | 1.01         | 17.00                    | 16.78                          | 1.05           | -0.14            | 0.851                  | 0.90                 |
|                   | WLAN2.4G | 802.11n HT40 | Bottom Side   | 0                        | 10      | Pulse           | Ant 0+1 | 99.50      | 1.01         | 16.00                    | 15.37                          | 1.16           | 0.04             | 0.698                  | 0.82                 |
|                   | WLAN2.4G | 802.11n HT40 | Bottom Side   | 0                        | 11      | Pulse           | Ant 0+1 | 99.50      | 1.01         | 15.00                    | 14.24                          | 1.19           | -0.11            | 0.347                  | 0.42                 |
|                   | WLAN2.4G | 802.11b      | Bottom-Laptop | 0                        | 1       | CHILISIN        | Ant 0   | 99.30      | 1.01         | 19.00                    | 18.95                          | 1.01           | -0.14            | 1.08                   | 1.10                 |
|                   | WLAN2.4G | 802.11b      | Bottom-Laptop | 0                        | 6       | CHILISIN        | Ant 0   | 99.30      | 1.01         | 19.00                    | 18.71                          | 1.07           | -0.05            | 1.03                   | 1.11                 |
|                   | WLAN2.4G | 802.11b      | Bottom-Laptop | 0                        | 11      | CHILISIN        | Ant 0   | 99.30      | 1.01         | 19.00                    | 18.82                          | 1.04           | 0.12             | 1.05                   | 1.10                 |
|                   | WLAN2.4G | 802.11b      | Bottom-Laptop | 0                        | 12      | CHILISIN        | Ant 0   | 99.30      | 1.01         | 19.00                    | 18.90                          | 1.02           | -0.18            | 1.04                   | 1.07                 |
|                   | WLAN2.4G | 802.11b      | Bottom-Laptop | 0                        | 13      | CHILISIN        | Ant 0   | 99.30      | 1.01         | 19.00                    | 18.94                          | 1.01           | -0.06            | 0.878                  | 0.90                 |
|                   | WLAN2.4G | 802.11b      | Bottom-Laptop | 0                        | 1       | Pulse           | Ant 0   | 99.30      | 1.01         | 19.00                    | 18.95                          | 1.01           | 0.08             | 1.08                   | 1.10                 |

## Body SAR Test Result

| System & Position |          |                 |               |                          |         | DUT & Accessory |         | SAR        |              |                          |                                |                |                  |                        |                      |
|-------------------|----------|-----------------|---------------|--------------------------|---------|-----------------|---------|------------|--------------|--------------------------|--------------------------------|----------------|------------------|------------------------|----------------------|
| Plot No.          | Band     | Mode            | Test Position | Separation Distance (mm) | Channel | Antenna         | Ant     | Duty Cycle | Crest Factor | Max. Tune-up Power (dBm) | Measured Conducted Power (dBm) | Scaling Factor | Power Drift (dB) | Measured SAR-1g (W/kg) | Scaled SAR-1g (W/kg) |
|                   |          |                 |               |                          |         | Manufacturer    | Status  |            |              |                          |                                |                |                  |                        |                      |
|                   | WLAN5.3G | 802.11ac VHT160 | Bottom-Laptop | 0                        | 50      | Pulse           | Ant 0   | 97.30      | 1.03         | 11.00                    | 10.97                          | 1.01           | 0.05             | 0.923                  | 0.96                 |
|                   | WLAN5.3G | 802.11ac VHT160 | Bottom-Laptop | 0                        | 50      | Pulse           | Ant 1   | 97.30      | 1.03         | 11.00                    | 10.79                          | 1.05           | 0.12             | 0.714                  | 0.77                 |
| 2                 | WLAN5.3G | 802.11ac VHT160 | Bottom-Laptop | 0                        | 50      | Pulse           | Ant 0+1 | 97.80      | 1.02         | 14.00                    | 13.98                          | 1.00           | -0.1             | 1.14                   | 1.16                 |
|                   | WLAN5.3G | 802.11ac VHT160 | Rear Face     | 0                        | 50      | Pulse           | Ant 0   | 97.30      | 1.03         | 11.50                    | 11.32                          | 1.04           | 0.11             | 0.133                  | 0.14                 |
|                   | WLAN5.3G | 802.11ac VHT160 | Left Side     | 0                        | 50      | Pulse           | Ant 0   | 97.30      | 1.03         | 11.50                    | 11.32                          | 1.04           | 0                | <0.001                 | 0.00                 |
|                   | WLAN5.3G | 802.11ac VHT160 | Right Side    | 0                        | 50      | Pulse           | Ant 0   | 97.30      | 1.03         | 11.50                    | 11.32                          | 1.04           | 0                | <0.001                 | 0.00                 |
|                   | WLAN5.3G | 802.11ac VHT160 | Top Side      | 0                        | 50      | Pulse           | Ant 0   | 97.30      | 1.03         | 11.50                    | 11.32                          | 1.04           | 0                | <0.001                 | 0.00                 |
|                   | WLAN5.3G | 802.11ac VHT160 | Bottom Side   | 0                        | 50      | Pulse           | Ant 0   | 97.30      | 1.03         | 11.50                    | 11.32                          | 1.04           | 0.14             | 0.527                  | 0.56                 |
|                   | WLAN5.3G | 802.11ac VHT160 | Rear Face     | 0                        | 50      | Pulse           | Ant 1   | 97.30      | 1.03         | 11.50                    | 11.39                          | 1.03           | -0.07            | 0.209                  | 0.22                 |
|                   | WLAN5.3G | 802.11ac VHT160 | Left Side     | 0                        | 50      | Pulse           | Ant 1   | 97.30      | 1.03         | 11.50                    | 11.39                          | 1.03           | 0                | <0.001                 | 0.00                 |
|                   | WLAN5.3G | 802.11ac VHT160 | Right Side    | 0                        | 50      | Pulse           | Ant 1   | 97.30      | 1.03         | 11.50                    | 11.39                          | 1.03           | 0                | <0.001                 | 0.00                 |
|                   | WLAN5.3G | 802.11ac VHT160 | Top Side      | 0                        | 50      | Pulse           | Ant 1   | 97.30      | 1.03         | 11.50                    | 11.39                          | 1.03           | 0                | <0.001                 | 0.00                 |
|                   | WLAN5.3G | 802.11ac VHT160 | Bottom Side   | 0                        | 50      | Pulse           | Ant 1   | 97.30      | 1.03         | 11.50                    | 11.39                          | 1.03           | -0.03            | 0.84                   | 0.89                 |
|                   | WLAN5.3G | 802.11ac VHT160 | Rear Face     | 0                        | 50      | Pulse           | Ant 0+1 | 97.80      | 1.02         | 14.50                    | 14.37                          | 1.03           | -0.05            | 0.205                  | 0.22                 |
|                   | WLAN5.3G | 802.11ac VHT160 | Left Side     | 0                        | 50      | Pulse           | Ant 0+1 | 97.80      | 1.02         | 14.50                    | 14.37                          | 1.03           | -0.09            | 0.071                  | 0.07                 |
|                   | WLAN5.3G | 802.11ac VHT160 | Right Side    | 0                        | 50      | Pulse           | Ant 0+1 | 97.80      | 1.02         | 14.50                    | 14.37                          | 1.03           | 0                | <0.001                 | 0.00                 |
|                   | WLAN5.3G | 802.11ac VHT160 | Top Side      | 0                        | 50      | Pulse           | Ant 0+1 | 97.80      | 1.02         | 14.50                    | 14.37                          | 1.03           | 0                | <0.001                 | 0.00                 |
|                   | WLAN5.3G | 802.11ac VHT160 | Bottom Side   | 0                        | 50      | Pulse           | Ant 0+1 | 97.80      | 1.02         | 14.50                    | 14.37                          | 1.03           | 0.1              | 0.921                  | 0.97                 |
|                   | WLAN5.3G | 802.11ac VHT160 | Bottom-Laptop | 0                        | 50      | CHILISIN        | Ant 0+1 | 97.80      | 1.02         | 14.00                    | 13.98                          | 1.00           | 0.13             | 1.03                   | 1.05                 |
|                   | WLAN5.3G | 802.11ac VHT160 | Bottom-Laptop | 0                        | 50      | Pulse           | Ant 0+1 | 97.80      | 1.02         | 14.00                    | 13.98                          | 1.00           | -0.04            | 1.11                   | 1.13                 |
|                   |          |                 |               |                          |         |                 |         |            |              |                          |                                |                |                  |                        |                      |
| 3                 | WLAN5.6G | 802.11ac VHT160 | Bottom-Laptop | 0                        | 114     | Pulse           | Ant 0   | 97.30      | 1.03         | 11.00                    | 10.75                          | 1.06           | -0.15            | 1.09                   | 1.19                 |
|                   | WLAN5.6G | 802.11ac VHT160 | Bottom-Laptop | 0                        | 114     | Pulse           | Ant 1   | 98.00      | 1.02         | 11.00                    | 10.75                          | 1.06           | 0.04             | 0.887                  | 0.96                 |
|                   | WLAN5.6G | 802.11ac VHT160 | Bottom-Laptop | 0                        | 114     | Pulse           | Ant 0+1 | 97.80      | 1.02         | 14.00                    | 13.92                          | 1.02           | -0.04            | 1.09                   | 1.13                 |
|                   | WLAN5.6G | 802.11ac VHT160 | Rear Face     | 0                        | 114     | Pulse           | Ant 0   | 97.30      | 1.03         | 11.50                    | 11.33                          | 1.04           | 0.14             | 0.321                  | 0.34                 |
|                   | WLAN5.6G | 802.11ac VHT160 | Left Side     | 0                        | 114     | Pulse           | Ant 0   | 97.30      | 1.03         | 11.50                    | 11.33                          | 1.04           | 0                | <0.001                 | 0.00                 |
|                   | WLAN5.6G | 802.11ac VHT160 | Right Side    | 0                        | 114     | Pulse           | Ant 0   | 97.30      | 1.03         | 11.50                    | 11.33                          | 1.04           | 0                | <0.001                 | 0.00                 |
|                   | WLAN5.6G | 802.11ac VHT160 | Top Side      | 0                        | 114     | Pulse           | Ant 0   | 97.30      | 1.03         | 11.50                    | 11.33                          | 1.04           | 0                | <0.001                 | 0.00                 |
|                   | WLAN5.6G | 802.11ac VHT160 | Bottom Side   | 0                        | 114     | Pulse           | Ant 0   | 97.30      | 1.03         | 11.50                    | 11.33                          | 1.04           | 0.01             | 0.986                  | 1.06                 |
|                   | WLAN5.6G | 802.11ac VHT160 | Rear Face     | 0                        | 114     | Pulse           | Ant 1   | 98.00      | 1.02         | 11.50                    | 11.45                          | 1.01           | 0.05             | 0.227                  | 0.23                 |
|                   | WLAN5.6G | 802.11ac VHT160 | Left Side     | 0                        | 114     | Pulse           | Ant 1   | 98.00      | 1.02         | 11.50                    | 11.45                          | 1.01           | 0                | <0.001                 | 0.00                 |
|                   | WLAN5.6G | 802.11ac VHT160 | Right Side    | 0                        | 114     | Pulse           | Ant 1   | 98.00      | 1.02         | 11.50                    | 11.45                          | 1.01           | 0                | <0.001                 | 0.00                 |
|                   | WLAN5.6G | 802.11ac VHT160 | Top Side      | 0                        | 114     | Pulse           | Ant 1   | 98.00      | 1.02         | 11.50                    | 11.45                          | 1.01           | 0                | <0.001                 | 0.00                 |
|                   | WLAN5.6G | 802.11ac VHT160 | Bottom Side   | 0                        | 114     | Pulse           | Ant 1   | 98.00      | 1.02         | 11.50                    | 11.45                          | 1.01           | 0.07             | 0.953                  | 0.98                 |
|                   | WLAN5.6G | 802.11ac VHT160 | Rear Face     | 0                        | 114     | Pulse           | Ant 0+1 | 97.80      | 1.02         | 14.50                    | 14.40                          | 1.02           | 0.09             | 0.362                  | 0.38                 |
|                   | WLAN5.6G | 802.11ac VHT160 | Left Side     | 0                        | 114     | Pulse           | Ant 0+1 | 97.80      | 1.02         | 14.50                    | 14.40                          | 1.02           | -0.01            | 0.085                  | 0.09                 |
|                   | WLAN5.6G | 802.11ac VHT160 | Right Side    | 0                        | 114     | Pulse           | Ant 0+1 | 97.80      | 1.02         | 14.50                    | 14.40                          | 1.02           | 0                | <0.001                 | 0.00                 |
|                   | WLAN5.6G | 802.11ac VHT160 | Top Side      | 0                        | 114     | Pulse           | Ant 0+1 | 97.80      | 1.02         | 14.50                    | 14.40                          | 1.02           | 0                | <0.001                 | 0.00                 |
|                   | WLAN5.6G | 802.11ac VHT160 | Bottom Side   | 0                        | 114     | Pulse           | Ant 0+1 | 97.80      | 1.02         | 14.50                    | 14.40                          | 1.02           | -0.07            | 0.908                  | 0.94                 |
|                   | WLAN5.6G | 802.11ac VHT160 | Bottom-Laptop | 0                        | 114     | CHILISIN        | Ant 0   | 97.30      | 1.03         | 11.00                    | 10.75                          | 1.06           | -0.09            | 1.03                   | 1.12                 |
|                   | WLAN5.6G | 802.11ac VHT160 | Bottom-Laptop | 0                        | 114     | Pulse           | Ant 0   | 97.30      | 1.03         | 11.00                    | 10.75                          | 1.06           | 0.03             | 1.07                   | 1.17                 |

## Body SAR Test Result

| System & Position |          |                |               |                          |         | DUT & Accessory |         | SAR        |              |                          |                                |                |                  |                        |                      |
|-------------------|----------|----------------|---------------|--------------------------|---------|-----------------|---------|------------|--------------|--------------------------|--------------------------------|----------------|------------------|------------------------|----------------------|
| Plot No.          | Band     | Mode           | Test Position | Separation Distance (mm) | Channel | Antenna         | Ant     | Duty Cycle | Crest Factor | Max. Tune-up Power (dBm) | Measured Conducted Power (dBm) | Scaling Factor | Power Drift (dB) | Measured SAR-1g (W/kg) | Scaled SAR-1g (W/kg) |
|                   |          |                |               |                          |         | Manufacturer    | Status  |            |              |                          |                                |                |                  |                        |                      |
|                   | WLAN5.8G | 802.11ac VHT80 | Bottom-Laptop | 0                        | 155     | Pulse           | Ant 0   | 99.50      | 1.01         | 11.00                    | 10.79                          | 1.05           | 0.01             | 0.82                   | 0.87                 |
|                   | WLAN5.8G | 802.11ac VHT80 | Bottom-Laptop | 0                        | 155     | Pulse           | Ant 1   | 98.90      | 1.01         | 11.00                    | 10.88                          | 1.03           | 0.12             | 0.859                  | 0.89                 |
| 4                 | WLAN5.8G | 802.11ac VHT80 | Bottom-Laptop | 0                        | 155     | Pulse           | Ant 0+1 | 98.70      | 1.01         | 14.00                    | 13.85                          | 1.04           | -0.11            | 1.12                   | 1.18                 |
|                   | WLAN5.8G | 802.11ac VHT80 | Rear Face     | 0                        | 155     | Pulse           | Ant 0   | 99.50      | 1.01         | 11.50                    | 11.25                          | 1.06           | -0.12            | 0.278                  | 0.30                 |
|                   | WLAN5.8G | 802.11ac VHT80 | Left Side     | 0                        | 155     | Pulse           | Ant 0   | 99.50      | 1.01         | 11.50                    | 11.25                          | 1.06           | 0                | <0.001                 | 0.00                 |
|                   | WLAN5.8G | 802.11ac VHT80 | Right Side    | 0                        | 155     | Pulse           | Ant 0   | 99.50      | 1.01         | 11.50                    | 11.25                          | 1.06           | 0                | <0.001                 | 0.00                 |
|                   | WLAN5.8G | 802.11ac VHT80 | Top Side      | 0                        | 155     | Pulse           | Ant 0   | 99.50      | 1.01         | 11.50                    | 11.25                          | 1.06           | 0                | <0.001                 | 0.00                 |
|                   | WLAN5.8G | 802.11ac VHT80 | Bottom Side   | 0                        | 155     | Pulse           | Ant 0   | 99.50      | 1.01         | 11.50                    | 11.25                          | 1.06           | 0.04             | 0.899                  | 0.96                 |
|                   | WLAN5.8G | 802.11ac VHT80 | Rear Face     | 0                        | 155     | Pulse           | Ant 1   | 98.90      | 1.01         | 11.50                    | 11.31                          | 1.04           | 0.08             | 0.156                  | 0.16                 |
|                   | WLAN5.8G | 802.11ac VHT80 | Left Side     | 0                        | 155     | Pulse           | Ant 1   | 98.90      | 1.01         | 11.50                    | 11.31                          | 1.04           | 0                | <0.001                 | 0.00                 |
|                   | WLAN5.8G | 802.11ac VHT80 | Right Side    | 0                        | 155     | Pulse           | Ant 1   | 98.90      | 1.01         | 11.50                    | 11.31                          | 1.04           | 0                | <0.001                 | 0.00                 |
|                   | WLAN5.8G | 802.11ac VHT80 | Top Side      | 0                        | 155     | Pulse           | Ant 1   | 98.90      | 1.01         | 11.50                    | 11.31                          | 1.04           | 0                | <0.001                 | 0.00                 |
|                   | WLAN5.8G | 802.11ac VHT80 | Bottom Side   | 0                        | 155     | Pulse           | Ant 1   | 98.90      | 1.01         | 11.50                    | 11.31                          | 1.04           | 0.15             | 0.907                  | 0.95                 |
|                   | WLAN5.8G | 802.11ac VHT80 | Rear Face     | 0                        | 155     | Pulse           | Ant 0+1 | 98.70      | 1.01         | 14.50                    | 14.29                          | 1.05           | 0.13             | 0.257                  | 0.27                 |
|                   | WLAN5.8G | 802.11ac VHT80 | Left Side     | 0                        | 155     | Pulse           | Ant 0+1 | 98.70      | 1.01         | 14.50                    | 14.29                          | 1.05           | 0                | <0.001                 | 0.00                 |
|                   | WLAN5.8G | 802.11ac VHT80 | Right Side    | 0                        | 155     | Pulse           | Ant 0+1 | 98.70      | 1.01         | 14.50                    | 14.29                          | 1.05           | 0                | <0.001                 | 0.00                 |
|                   | WLAN5.8G | 802.11ac VHT80 | Top Side      | 0                        | 155     | Pulse           | Ant 0+1 | 98.70      | 1.01         | 14.50                    | 14.29                          | 1.05           | 0                | <0.001                 | 0.00                 |
|                   | WLAN5.8G | 802.11ac VHT80 | Bottom Side   | 0                        | 155     | Pulse           | Ant 0+1 | 98.70      | 1.01         | 14.50                    | 14.29                          | 1.05           | 0.03             | 0.828                  | 0.88                 |
|                   | WLAN5.8G | 802.11ac VHT80 | Bottom-Laptop | 0                        | 155     | CHILISIN        | Ant 0+1 | 98.70      | 1.01         | 14.00                    | 13.85                          | 1.04           | 0.06             | 0.836                  | 0.88                 |
|                   | WLAN5.8G | 802.11ac VHT80 | Bottom-Laptop | 0                        | 155     | Pulse           | Ant 0+1 | 98.70      | 1.01         | 14.00                    | 13.85                          | 1.04           | 0.02             | 1.08                   | 1.13                 |
|                   |          |                |               |                          |         |                 |         |            |              |                          |                                |                |                  |                        |                      |
|                   | BT       | BDR            | Bottom-Laptop | 0                        | 78      | Pulse           | Ant 1   | 77.10      | 1.30         | 10.50                    | 10.34                          | 1.04           | 0.07             | 0.08                   | 0.11                 |
|                   | BT       | BDR            | Rear Face     | 0                        | 78      | Pulse           | Ant 1   | 77.10      | 1.30         | 10.50                    | 10.34                          | 1.04           | 0.06             | 0.119                  | 0.16                 |
|                   | BT       | BDR            | Left Side     | 0                        | 78      | Pulse           | Ant 1   | 77.10      | 1.30         | 10.50                    | 10.34                          | 1.04           | 0                | <0.001                 | 0.00                 |
|                   | BT       | BDR            | Right Side    | 0                        | 78      | Pulse           | Ant 1   | 77.10      | 1.30         | 10.50                    | 10.34                          | 1.04           | 0                | <0.001                 | 0.00                 |
|                   | BT       | BDR            | Top Side      | 0                        | 78      | Pulse           | Ant 1   | 77.10      | 1.30         | 10.50                    | 10.34                          | 1.04           | 0                | <0.001                 | 0.00                 |
| 5                 | BT       | BDR            | Bottom Side   | 0                        | 78      | Pulse           | Ant 1   | 77.10      | 1.30         | 10.50                    | 10.34                          | 1.04           | 0.04             | 0.312                  | 0.42                 |
|                   | BT       | BDR            | Bottom Side   | 0                        | 0       | Pulse           | Ant 1   | 77.10      | 1.30         | 10.50                    | 9.92                           | 1.14           | 0.06             | 0.157                  | 0.23                 |
|                   | BT       | BDR            | Bottom Side   | 0                        | 39      | Pulse           | Ant 1   | 77.10      | 1.30         | 10.50                    | 10.10                          | 1.10           | 0.05             | 0.187                  | 0.27                 |
|                   | BT       | BDR            | Bottom Side   | 0                        | 78      | CHILISIN        | Ant 1   | 77.10      | 1.30         | 10.50                    | 10.34                          | 1.04           | 0.1              | 0.276                  | 0.37                 |

SAR and Power Density Test Result

| System & Position |        |                |               |                          |         | DUT & Accessory      |            | SAR        |              |                          |                                |                |                  |                        |                      | Power Density                                     |               |            |  |                      |                  |                    |                           |                   |                          |
|-------------------|--------|----------------|---------------|--------------------------|---------|----------------------|------------|------------|--------------|--------------------------|--------------------------------|----------------|------------------|------------------------|----------------------|---|---------------|------------|--|----------------------|------------------|--------------------|---------------------------|-------------------|--------------------------|
| Plot No.          | Band   | Mode           | Test Position | Separation Distance (mm) | Channel | Antenna Manufacturer | Ant Status | Duty Cycle | Crest Factor | Max. Tune-up Power (dBm) | Measured Conducted Power (dBm) | Scaling Factor | Power Drift (dB) | Measured SAR-1g (W/kg) | Scaled SAR-1g (W/kg) | Measured APD W/m <sup>2</sup> (4cm <sup>2</sup> ) | Grid Step [λ] | iPD [W/m2] | Scaling Factor for Measurement Uncertainty | Averaging Area [cm2] | Power Drift [dB] | Normal psPD [W/m2] | Scaled Normal psPD [W/m2] | Total psPD [W/m2] | Scaled Total psPD [W/m2] |
|                   | UNII-5 | 802.11ax HE160 | Bottom-Laptop | 0                        | 15      | Pulse                | Ant 0      | 98.70      | 1.01         | 10.50                    | 10.45                          | 1.01           | 0.08             | 0.434                  | 0.44                 | 2.73  |               |            | -  |                      |                  | -                  | -                         | -                 | -                        |
|                   | UNII-5 | 802.11ax HE160 | Bottom-Laptop | 0                        | 15      | Pulse                | Ant 1      | 99.00      | 1.01         | 10.50                    | 10.31                          | 1.04           | 0.07             | 0.703                  | 0.74                 | 3.98  |               |            | -  |                      |                  | -                  | -                         | -                 | -                        |
|                   | UNII-5 | 802.11ax HE160 | Bottom-Laptop | 0                        | 15      | Pulse                | Ant 0+1    | 99.00      | 1.01         | 13.50                    | 13.39                          | 1.03           | 0.04             | 0.739                  | 0.77                 | 4.03  |               |            | -  |                      |                  | -                  | -                         | -                 | -                        |
|                   | UNII-5 | 802.11ax HE160 | Rear Face     | 0                        | 15      | Pulse                | Ant 0      | 98.70      | 1.01         | 8.50                     | 8.49                           | 1.00           | -0.07            | 0.201                  | 0.20                 | 1.06  |               |            | -  |                      |                  | -                  | -                         | -                 | -                        |
|                   | UNII-5 | 802.11ax HE160 | Left Side     | 0                        | 15      | Pulse                | Ant 0      | 98.70      | 1.01         | 8.50                     | 8.49                           | 1.00           | 0                | <0.001                 | 0.00                 | 0   |               |            | -  |                      |                  | -                  | -                         | -                 | -                        |
|                   | UNII-5 | 802.11ax HE160 | Right Side    | 0                        | 15      | Pulse                | Ant 0      | 98.70      | 1.01         | 8.50                     | 8.49                           | 1.00           | 0                | <0.001                 | 0.00                 | 0   |               |            | -  |                      |                  | -                  | -                         | -                 | -                        |
|                   | UNII-5 | 802.11ax HE160 | Top Side      | 0                        | 15      | Pulse                | Ant 0      | 98.70      | 1.01         | 8.50                     | 8.49                           | 1.00           | 0                | <0.001                 | 0.00                 | 0   |               |            | -  |                      |                  | -                  | -                         | -                 | -                        |
|                   | UNII-5 | 802.11ax HE160 | Bottom Side   | 0                        | 15      | Pulse                | Ant 0      | 98.70      | 1.01         | 8.50                     | 8.49                           | 1.00           | 0.06             | 0.64                   | 0.65                 | 3.19  |               |            | -  |                      |                  | -                  | -                         | -                 | -                        |
|                   | UNII-5 | 802.11ax HE160 | Rear Face     | 0                        | 15      | Pulse                | Ant 1      | 99.00      | 1.01         | 8.50                     | 8.43                           | 1.02           | 0.02             | 0.103                  | 0.11                 | 0.639   |               |            | -  |                      |                  | -                  | -                         | -                 | -                        |
|                   | UNII-5 | 802.11ax HE160 | Left Side     | 0                        | 15      | Pulse                | Ant 1      | 99.00      | 1.01         | 8.50                     | 8.43                           | 1.02           | 0                | <0.001                 | 0.00                 | 0   |               |            | -  |                      |                  | -                  | -                         | -                 | -                        |
|                   | UNII-5 | 802.11ax HE160 | Right Side    | 0                        | 15      | Pulse                | Ant 1      | 99.00      | 1.01         | 8.50                     | 8.43                           | 1.02           | 0                | <0.001                 | 0.00                 | 0   |               |            | -  |                      |                  | -                  | -                         | -                 | -                        |
|                   | UNII-5 | 802.11ax HE160 | Top Side      | 0                        | 15      | Pulse                | Ant 1      | 99.00      | 1.01         | 8.50                     | 8.43                           | 1.02           | 0                | <0.001                 | 0.00                 | 0   |               |            | -  |                      |                  | -                  | -                         | -                 | -                        |
|                   | UNII-5 | 802.11ax HE160 | Bottom Side   | 0                        | 15      | Pulse                | Ant 1      | 99.00      | 1.01         | 8.50                     | 8.43                           | 1.02           | 0.06             | 0.803                  | 0.83                 | 3.63  |               |            | -  |                      |                  | -                  | -                         | -                 | -                        |
|                   | UNII-5 | 802.11ax HE160 | Rear Face     | 0                        | 15      | Pulse                | Ant 0+1    | 99.00      | 1.01         | 11.50                    | 11.38                          | 1.03           | 0.08             | 0.204                  | 0.21                 | 1.31  |               |            | -  |                      |                  | -                  | -                         | -                 | -                        |
|                   | UNII-5 | 802.11ax HE160 | Left Side     | 0                        | 15      | Pulse                | Ant 0+1    | 99.00      | 1.01         | 11.50                    | 11.38                          | 1.03           | 0                | <0.001                 | 0.00                 | 0   |               |            | -  |                      |                  | -                  | -                         | -                 | -                        |
|                   | UNII-5 | 802.11ax HE160 | Right Side    | 0                        | 15      | Pulse                | Ant 0+1    | 99.00      | 1.01         | 11.50                    | 11.38                          | 1.03           | 0                | <0.001                 | 0.00                 | 0   |               |            | -  |                      |                  | -                  | -                         | -                 | -                        |
|                   | UNII-5 | 802.11ax HE160 | Top Side      | 0                        | 15      | Pulse                | Ant 0+1    | 99.00      | 1.01         | 11.50                    | 11.38                          | 1.03           | 0                | <0.001                 | 0.00                 | 0   |               |            | -  |                      |                  | -                  | -                         | -                 | -                        |
|                   | UNII-5 | 802.11ax HE160 | Bottom Side   | 0                        | 15      | Pulse                | Ant 0+1    | 99.00      | 1.01         | 11.50                    | 11.38                          | 1.03           | 0.05             | 0.751                  | 0.78                 | 3.58  |               |            | -  |                      |                  | -                  | -                         | -                 | -                        |
|                   | UNII-5 | 802.11ax HE160 | Bottom Side   | 0                        | 47      | Pulse                | Ant 1      | 99.00      | 1.01         | 8.50                     | 8.27                           | 1.05           | 0.06             | 0.935                  | 0.99                 | 4.35  |               |            | -  |                      |                  | -                  | -                         | -                 | -                        |
|                   | UNII-5 | 802.11ax HE160 | Bottom Side   | 0                        | 79      | Pulse                | Ant 1      | 99.00      | 1.01         | 8.50                     | 8.30                           | 1.05           | -0.02            | 1.01                   | 1.07                 | 4.52  |               |            | -  |                      |                  | -                  | -                         | -                 | -                        |
|                   | UNII-6 | 802.11ax HE160 | Bottom Side   | 0                        | 111     | Pulse                | Ant 1      | 99.00      | 1.01         | 8.50                     | 8.33                           | 1.04           | 0.06             | 0.87                   | 0.91                 | 4.85  |               |            | -  |                      |                  | -                  | -                         | -                 | -                        |
| 6                 | UNII-7 | 802.11ax HE160 | Bottom Side   | 0                        | 143     | Pulse                | Ant 1      | 99.00      | 1.01         | 8.50                     | 8.37                           | 1.03           | 0.03             | 1.09                   | 1.13                 | 5.59  | 0.25          | 4.24       | 1.545                                      | 4.00                 | -0.03            | 2.01               | 3.14                      | 2.13              | 3.32                     |
|                   | UNII-7 | 802.11ax HE160 | Bottom Side   | 0                        | 175     | Pulse                | Ant 1      | 99.00      | 1.01         | 8.50                     | 8.39                           | 1.03           | -0.09            | 0.899                  | 0.94                 | 4.27  |               |            | -  |                      |                  | -                  | -                         | -                 | -                        |
|                   | UNII-8 | 802.11ax HE160 | Bottom Side   | 0                        | 207     | Pulse                | Ant 1      | 99.00      | 1.01         | 8.50                     | 8.40                           | 1.02           | 0.03             | 0.686                  | 0.71                 | 3.64  |               |            | -  |                      |                  | -                  | -                         | -                 | -                        |
|                   | UNII-7 | 802.11ax HE160 | Bottom Side   | 0                        | 143     | CHILISIN             | Ant 1      | 99.00      | 1.01         | 8.50                     | 8.37                           | 1.03           | 0.11             | 0.755                  | 0.79                 | 4.15  |               |            | -  |                      |                  | -                  | -                         | -                 | -                        |
|                   | UNII-7 | 802.11ax HE160 | Bottom Side   | 0                        | 175     | CHILISIN             | Ant 1      | 99.00      | 1.01         | 8.50                     | 8.39                           | 1.03           | -0.07            | 0.652                  | 0.68                 | 3.58  |               |            | -  |                      |                  | -                  | -                         | -                 | -                        |
|                   | UNII-7 | 802.11ax HE160 | Bottom Side   | 0                        | 143     | Pulse                | Ant 1      | 99.00      | 1.01         | 8.50                     | 8.37                           | 1.03           | -0.06            | 1.02                   | 1.06                 | 5.34  |               |            | -  |                      |                  | -                  | -                         | -                 | -                        |



## **Annex G. SAR Measurement Variability**

SAR repeated measurement are shown as below.

Repeat SAR

| Plot | Band     | Mode            | Test Position | Ch. | Original Measured SAR-1g (W/kg) | 1st Repeated SAR-1g (W/kg) | L/S Ratio |
|------|----------|-----------------|---------------|-----|---------------------------------|----------------------------|-----------|
| R01  | WLAN2.4G | 802.11b         | Bottom-Laptop | 1   | 1.12                            | 1.08                       | 1.04      |
| R02  | WLAN5.3G | 802.11ac VHT160 | Bottom-Laptop | 50  | 1.14                            | 1.11                       | 1.03      |
| R03  | WLAN5.6G | 802.11ac VHT160 | Bottom-Laptop | 114 | 1.09                            | 1.07                       | 1.02      |
| R04  | WLAN5.8G | 802.11ac VHT80  | Bottom-Laptop | 155 | 1.12                            | 1.08                       | 1.04      |
| R06  | UNII-7   | 802.11ax HE160  | Bottom Side   | 143 | 1.09                            | 1.02                       | 1.07      |

## **Annex H. Analysis of Simultaneous Transmission SAR**

The analysis of simultaneous transmission SAR are shown as below.

### <Possibilities of Simultaneous Transmission>

The simultaneous transmission possibilities for this device are listed as below.

| Simultaneous TX Combination | Capable Transmit Configurations | Body Exposure Condition |
|-----------------------------|---------------------------------|-------------------------|
| A                           | WLAN 2.4G + BT                  | Yes                     |
| B                           | WLAN 5G + BT                    | Yes                     |
| C                           | WLAN 6G + BT                    | Yes                     |

#### Notes

1. The WLAN 2.4G , 5G and 6G cannot transmit simultaneously.

| Simultaneous Transmission SAR Evaluation (Body) |                 |               |               |             |                               |                               |                               |
|---|-----------------|---------------|---------------|-------------|-------------------------------|-------------------------------|-------------------------------|
| Position  | 1               | 2             | 3             | 4           | A (1 + 4)                     | B (2 + 4)                     | C (3 + 4)                     |
|   | Max WLAN 2.4GHz | Max WLAN 5GHz | Max WLAN 6GHz | Max BT      | Summing result<br>1g SAR W/kg | Summing result<br>1g SAR W/kg | Summing result<br>1g SAR W/kg |
|   | 1g SAR W/kg     | 1g SAR W/kg   | 1g SAR W/kg   | 1g SAR W/kg |                               |                               |                               |
| Bottom-Laptop                                   | 1.14            | 1.19          | 0.77          | 0.11        | 1.25                          | 1.30                          | 0.88                          |
| Rear Face                                       | 0.40            | 0.38          | 0.21          | 0.16        | 0.56                          | 0.54                          | 0.37                          |
| Left Side                                       | 0.04            | 0.09          | 0.00          | 0.00        | 0.04                          | 0.09                          | 0.00                          |
| Right Side                                      | 0.00            | 0.00          | 0.00          | 0.00        | 0.00                          | 0.00                          | 0.00                          |
| Top Side  | 0.00            | 0.00          | 0.00          | 0.00        | 0.00                          | 0.00                          | 0.00                          |
| Bottom Side                                     | 0.93            | 1.06          | 1.13          | 0.42        | 1.35                          | 1.48                          | 1.55                          |

## **Annex I. SAR to Peak Location Separation Ratio Analysis.**

Since sum of simultaneous transmission SAR is less than the SAR limit for Body / Head : SAR<sub>1g</sub> 1.6 W/kg ;  
Extremity SAR<sub>10g</sub> 4.0 W/kg. There is no requirement for SAR to Peak Location Separation Ratio Analysis.

## Annex J. Calibration of Test Equipment List

Calibration of Test Equipment List are shown as below.

| Equipment for SAR Test           |               |                               |            |               |               |
|----------------------------------|---------------|-------------------------------|------------|---------------|---------------|
| Equipment                        | Manufacturer  | Model                         | SN         | Cal. Date     | Cal. Interval |
| System Validation Dipole         | SPEAG         | D2450V2                       | 737        | Aug. 26, 2021 | 1 Year        |
| System Validation Dipole         | SPEAG         | D5GHzV2                       | 1019       | Mar. 19, 2021 | 1 Year        |
| System Validation Dipole         | SPEAG         | D6.5GHzV2                     | 1029       | Feb. 10, 2021 | 1 Year        |
| System Verification Source       | SPEAG         | 5G Verification Source 10 GHz | 1025       | Jan. 17, 2022 | 1 Year        |
| Dosimetric E-Field Probe         | SPEAG         | EX3DV4                        | 7537       | Apr. 26, 2021 | 1 Year        |
| E-Field Probe                    | SPEAG         | EUmmWV4                       | 9438       | Jul. 26, 2021 | 1 Year        |
| Data Acquisition Electronics     | SPEAG         | DAE4                          | 861        | Apr. 14, 2021 | 1 Year        |
| Data Acquisition Electronics     | SPEAG         | DAE4                          | 1585       | Apr. 15, 2021 | 1 Year        |
| Spectrum Analyzer                | R&S           | FSL6                          | 102006     | Apr. 06, 2021 | 1 Year        |
| Analong Signal Generator         | R&S           | SMA100B                       | 104417     | Oct. 22, 2021 | 1 Year        |
| Mini-Circuits Wideband Amplifier | Mini-Circuits | ZVA-183-S+                    | 434502031A | Aug. 20, 2021 | 1 Year        |
| Power Meter                      | Anritsu       | ML2495A                       | 1218009    | Jun. 24, 2021 | 1 Year        |
| Power Sensor                     | Anritsu       | MA2411B                       | 1207252    | Jun. 24, 2021 | 1 Year        |
| Universal Wireless Test Set      | Anritsu       | MT8870A/MU887000A             | 6201699387 | Sep. 22, 2021 | 1 Year        |
| Thermometer                      | YFE           | YF-160A                       | 191100743  | Apr. 12, 2021 | 1 Year        |
| Dielectric Assessment Kit        | SPEAG         | DAKS-3.5                      | 1151       | Jul. 14, 2021 | 1 Year        |
| Powersource1                     | SPEAG         | SE_UMS_160 BA                 | 4010       | Jul. 13, 2021 | 1 Year        |

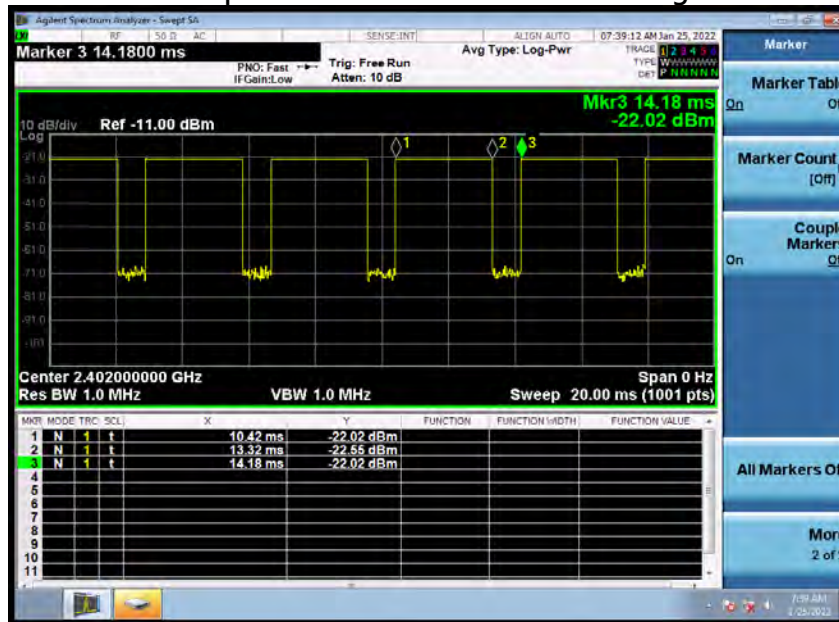
## Annex K. Considerations Related to Bluetooth for Setup and Testing

This device has installed Bluetooth engineering testing software which can provide continuous transmitting RF signal. During Bluetooth SAR testing, this device was operated to transmit continuously at the maximum transmission duty with specified transmission mode, operating frequency, lowest data rate, and maximum output power.

The Bluetooth call box has been used during SAR measurement and the EUT was set to **DH5** mode at the maximum output power. Its duty factor was calculated as below and the measured SAR for Bluetooth would be scaled to the 100% transmission duty factor to determine compliance.

The duty factor of Bluetooth signal are shown as below.

<Time-domain plot for Bluetooth transmission signal>



Time-domain plot for Bluetooth transmission signal

The duty factor of Bluetooth signal has been calculated as following.

$$\text{Duty Factor} = \text{Pulse Width} / \text{Total Period} = (13.32 - 10.42) / (14.18 - 10.42) = 77.13\%$$



# Annex L. Verifying the Mechanism Operation of Gravity-sensor

The power verified by LCD angle changed are shown as below..

<Power Reduction by LCD Angle Changed and Verifying Power Level of operating Laptop and Tablet mode on Setp A ~ G>

|   |   | Test Band : 802.11b ch.6 Ant 0 for WLAN 2.4G Representative   |      |      |      |      |      |      |      |      |      |      |     |  |  |  |  |  |  |  |  |  |  |
|---|---|---|------|------|------|------|------|------|------|------|------|------|-----|--|--|--|--|--|--|--|--|--|--|
| Summary   | <A> From lid closed when LCD is 0° which power is subject to Laptop user mode, opening the screen side in 10° each step until the power of Tablet mode is obtained.             | Degrees   | 0    | 10   | 20   | 30   | 40   | 50   |      |      |      |      |     |  |  |  |  |  |  |  |  |  |  |
|   | Power (dBm)   | 18.6  | 18.3 | 18.4 | 18.2 | 18.8 | 18.8 |      |      |      |      |      |     |  |  |  |  |  |  |  |  |  |  |
| The Power level changed by LCD Triggering Angle is 190° | <B> Close the screen side in 5° each step from Step A, the power of Laptop mode is reobtained.  | Degrees   |      |      |      |      |      |      |      |      |      |      |     |  |  |  |  |  |  |  |  |  |  |
|   | Power (dBm)   |   |      |      |      |      |      |      |      |      |      |      |     |  |  |  |  |  |  |  |  |  |  |
|   | <C> Verifying the power changed in 1° at each step.   | Degrees   |      |      |      |      |      |      |      |      |      |      |     |  |  |  |  |  |  |  |  |  |  |
|   | Power (dBm)   |   |      |      |      |      |      |      |      |      |      |      |     |  |  |  |  |  |  |  |  |  |  |
|   | <D> Then Keep opening the screen side in 10° each step until fully open when LCD angle.   | Degrees   | 0    | 10   | 20   | 30   | 40   | 50   |      |      |      |      |     |  |  |  |  |  |  |  |  |  |  |
|   | Power (dBm)   | 18.5  | 19.5 | 18.4 | 18.6 | 18.8 | 18.5 |      |      |      |      |      |     |  |  |  |  |  |  |  |  |  |  |
|   | <E> From fully open when LCD is 360° which the operating mode is Tablet, closing the screen side in 10° each step until the power subject to operating Laptop mode is obtained. | Degrees   | 360  | 350  | 340  | 330  | 320  | 310  |      |      |      |      |     |  |  |  |  |  |  |  |  |  |  |
|   | Power (dBm)   | 13.5  | 13.3 | 13.8 | 13.7 | 13.8 | 13.6 |      |      |      |      |      |     |  |  |  |  |  |  |  |  |  |  |
|   | <F> From fully open when LCD is 360° which the operating mode is Tablet, closing the screen side in 5° each step until fully closed.  | Degrees   | 360  | 355  | 350  | 345  | 340  | 335  | 330  | 325  | 320  | 315  | 310 |  |  |  |  |  |  |  |  |  |  |
|   | Power (dBm)   | 13.4  | 13.2 | 13.7 | 13.8 | 13.6 | 13.7 | 13.6 | 13.6 | 13.6 | 13.3 | 13.6 |     |  |  |  |  |  |  |  |  |  |  |
|   | <G> Closing the screen side in 1° each step until the power subject to operating Laptop mode is obtained and keep closing until fully closed.                                   | Degrees   | 360  | 359  | 358  | 357  | 356  | 355  | 354  | 353  | 352  | 351  | 350 |  |  |  |  |  |  |  |  |  |  |
|   | Power (dBm)   | 13.7  | 13.7 | 13.3 | 13.6 | 13.2 | 13.6 | 13.3 | 13.7 | 13.3 | 13.2 | 13.2 |     |  |  |  |  |  |  |  |  |  |  |
|   |   | Test Band : 802.11ac ch.50 Ant 0 for WLAN 5.3G Representative |      |      |      |      |      |      |      |      |      |      |     |  |  |  |  |  |  |  |  |  |  |
| Summary   | <A> From lid closed when LCD is 0° which power is subject to Laptop user mode, opening the screen side in 10° each step until the power of Tablet mode is obtained.             | Degrees   | 0    | 10   | 20   | 30   | 40   | 50   |      |      |      |      |     |  |  |  |  |  |  |  |  |  |  |
|   | Power (dBm)   | 10.2  | 10.8 | 10.8 | 10.8 | 10.5 | 10.3 |      |      |      |      |      |     |  |  |  |  |  |  |  |  |  |  |
| The Power level changed by LCD Triggering Angle is 190° | <B> Close the screen side in 5° each step from Step A, the power of Laptop mode is reobtained.  | Degrees   |      |      |      |      |      |      |      |      |      |      |     |  |  |  |  |  |  |  |  |  |  |
|   | Power (dBm)   |   |      |      |      |      |      |      |      |      |      |      |     |  |  |  |  |  |  |  |  |  |  |
|   | <C> Verifying the power changed in 1° at each step.   | Degrees   |      |      |      |      |      |      |      |      |      |      |     |  |  |  |  |  |  |  |  |  |  |
|   | Power (dBm)   |   |      |      |      |      |      |      |      |      |      |      |     |  |  |  |  |  |  |  |  |  |  |
|   | <D> Then Keep opening the screen side in 10° each step until fully open when LCD angle.   | Degrees   | 0    | 10   | 20   | 30   | 40   | 50   |      |      |      |      |     |  |  |  |  |  |  |  |  |  |  |
|   | Power (dBm)   | 10.5  | 10.2 | 10.7 | 10.6 | 10.7 | 10.8 |      |      |      |      |      |     |  |  |  |  |  |  |  |  |  |  |
|   | <E> From fully open when LCD is 360° which the operating mode is Tablet, closing the screen side in 10° each step until the power subject to operating Laptop mode is obtained. | Degrees   | 360  | 350  | 340  | 330  | 320  | 310  |      |      |      |      |     |  |  |  |  |  |  |  |  |  |  |
|   | Power (dBm)   | 10.9  | 10.8 | 11.1 | 10.7 | 10.9 | 11   |      |      |      |      |      |     |  |  |  |  |  |  |  |  |  |  |
|   | <F> From fully open when LCD is 360° which the operating mode is Tablet, closing the screen side in 5° each step until fully closed.  | Degrees   | 360  | 355  | 350  | 345  | 340  | 335  | 330  | 325  | 320  | 315  | 310 |  |  |  |  |  |  |  |  |  |  |
|   | Power (dBm)   | 11  | 10.9 | 11.2 | 11.2 | 11.3 | 11.2 | 10.8 | 11.1 | 11.1 | 10.8 | 11   |     |  |  |  |  |  |  |  |  |  |  |
|   | <G> Closing the screen side in 1° each step until the power subject to operating Laptop mode is obtained and keep closing until fully closed.                                   | Degrees   | 360  | 359  | 358  | 357  | 356  | 355  | 354  | 353  | 352  | 351  | 350 |  |  |  |  |  |  |  |  |  |  |
|   | Power (dBm)   | 10.9  | 11.2 | 11.1 | 10.7 | 11.2 | 11.1 | 10.8 | 11.2 | 10.7 | 10.8 | 10.7 |     |  |  |  |  |  |  |  |  |  |  |
|   |   | Test Band : 802.11ax ch.47 Ant 0 for WLAN 6G Representative   |      |      |      |      |      |      |      |      |      |      |     |  |  |  |  |  |  |  |  |  |  |
| Summary   | <A> From lid closed when LCD is 0° which power is subject to Laptop user mode, opening the screen side in 10° each step until the power of Tablet mode is obtained.             | Degrees   | 0    | 10   | 20   | 30   | 40   | 50   |      |      |      |      |     |  |  |  |  |  |  |  |  |  |  |
|   | Power (dBm)   | 10.0  | 10.2 | 10.3 | 10.0 | 10.2 | 10.2 |      |      |      |      |      |     |  |  |  |  |  |  |  |  |  |  |
| The Power level changed by LCD Triggering Angle is 190° | <B> Close the screen side in 5° each step from Step A, the power of Laptop mode is reobtained.  | Degrees   |      |      |      |      |      |      |      |      |      |      |     |  |  |  |  |  |  |  |  |  |  |
|   | Power (dBm)   |   |      |      |      |      |      |      |      |      |      |      |     |  |  |  |  |  |  |  |  |  |  |
|   | <C> Verifying the power changed in 1° at each step.   | Degrees   |      |      |      |      |      |      |      |      |      |      |     |  |  |  |  |  |  |  |  |  |  |
|   | Power (dBm)   |   |      |      |      |      |      |      |      |      |      |      |     |  |  |  |  |  |  |  |  |  |  |
|   | <D> Then Keep opening the screen side in 10° each step until fully open when LCD angle.   | Degrees   | 0    | 10   | 20   | 30   | 40   | 50   |      |      |      |      |     |  |  |  |  |  |  |  |  |  |  |
|   | Power (dBm)   | 10.1  | 10.3 | 9.9  | 10   | 10.1 | 10.3 |      |      |      |      |      |     |  |  |  |  |  |  |  |  |  |  |
|   | <E> From fully open when LCD is 360° which the operating mode is Tablet, closing the screen side in 10° each step until the power subject to operating Laptop mode is obtained. | Degrees   | 360  | 350  | 340  | 330  | 320  | 310  |      |      |      |      |     |  |  |  |  |  |  |  |  |  |  |
|   | Power (dBm)   | 8   | 8.2  | 8.3  | 7.9  | 7.8  | 8.2  |      |      |      |      |      |     |  |  |  |  |  |  |  |  |  |  |
|   | <F> From fully open when LCD is 360° which the operating mode is Tablet, closing the screen side in 5° each step until fully closed.  | Degrees   | 360  | 355  | 350  | 345  | 340  | 335  | 330  | 325  | 320  | 315  | 310 |  |  |  |  |  |  |  |  |  |  |
|   | Power (dBm)   | 8   | 7.9  | 7.8  | 8.2  | 8.1  | 8.3  | 8.1  | 8.3  | 8.3  | 8    | 8.1  |     |  |  |  |  |  |  |  |  |  |  |
|   | <G> Closing the screen side in 1° each step until the power subject to operating Laptop mode is obtained and keep closing until fully closed.                                   | Degrees   | 360  | 359  | 358  | 357  | 356  | 355  | 354  | 353  | 352  | 351  | 350 |  |  |  |  |  |  |  |  |  |  |
|   | Power (dBm)   | 7.9   | 8.1  | 8.1  | 8.3  | 8.2  | 8.2  | 7.8  | 8.3  | 8.3  | 7.9  | 8    |     |  |  |  |  |  |  |  |  |  |  |