	GradiANT (Pattern Antenna)	
	MODEL NAME	MR24-GN

MR24-GN

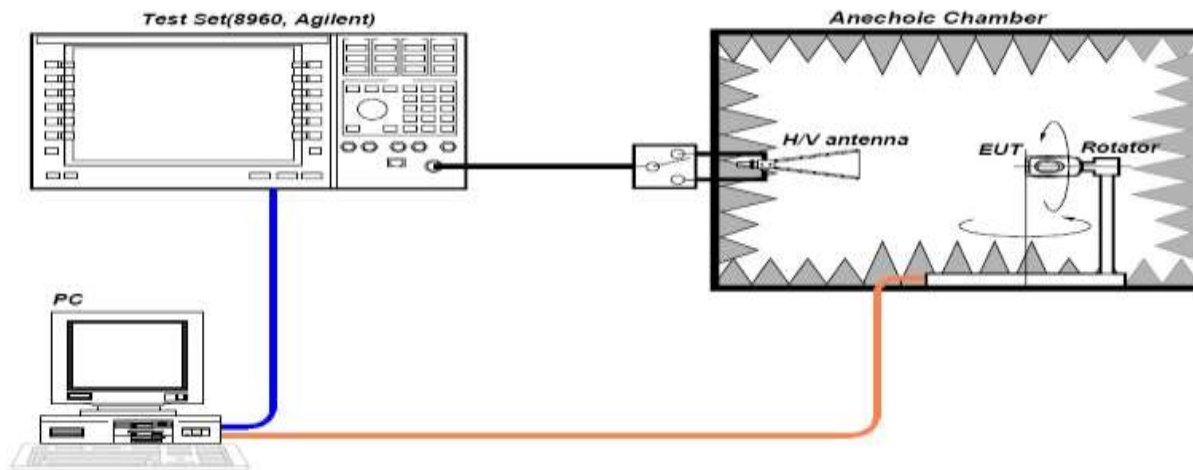
ANT Review Report

Rev02 in case 상태
2023.06.05

1. Antenna Gain Test Setup Diagram

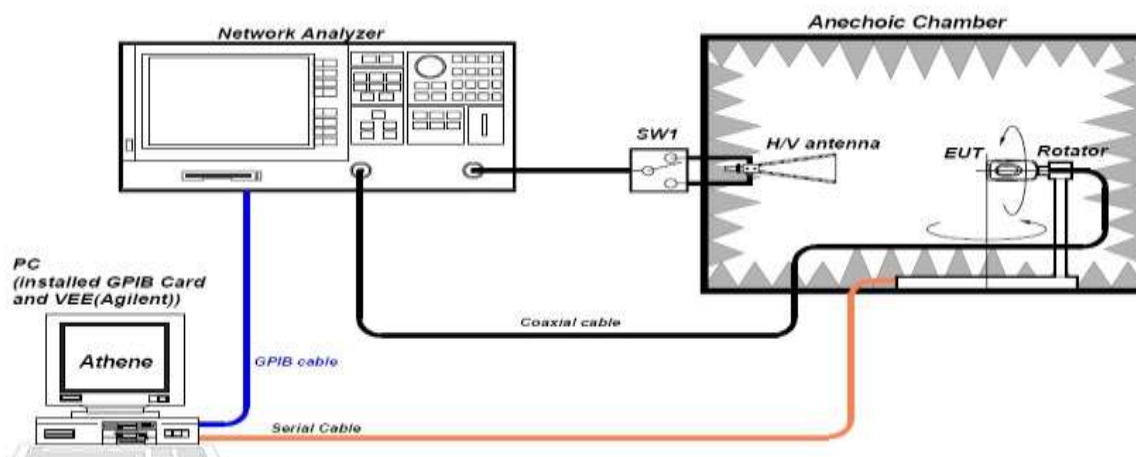
Active test System

- TRP, NHPRP,UHRP
- TIS, NHPIS, UHIS
- Relative Sensitivity



Passiver test System

- Efficiency
- Peak Gain, Avg, Gain
- Min, Max PWR



2. Measurement instruments

2.1 SWR / Return Loss

	Set Condition
Network Analyzer	Agilent 8753ES
Cable	Semi-rigid (40mm, 60mm)
Test condition	

2.2 Gain

Antenna gain is measured in the anechoic chamber of this company.



3. Test Date : June 05, 2023

4. name of test personnel: Lee Dong Youl / head of research engineer (RADINA. Co., Ltd)

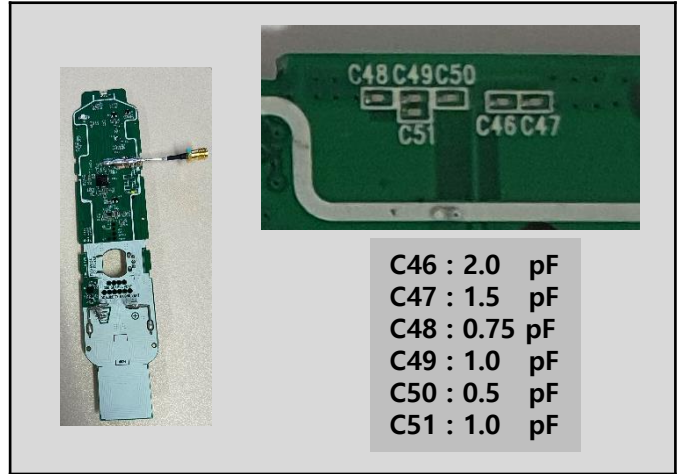
RADINA. Co., LTD / CONFIDENTIAL

This Document contains confidential and proprietary information, cannot discourse to third party without the prior written Authorization.

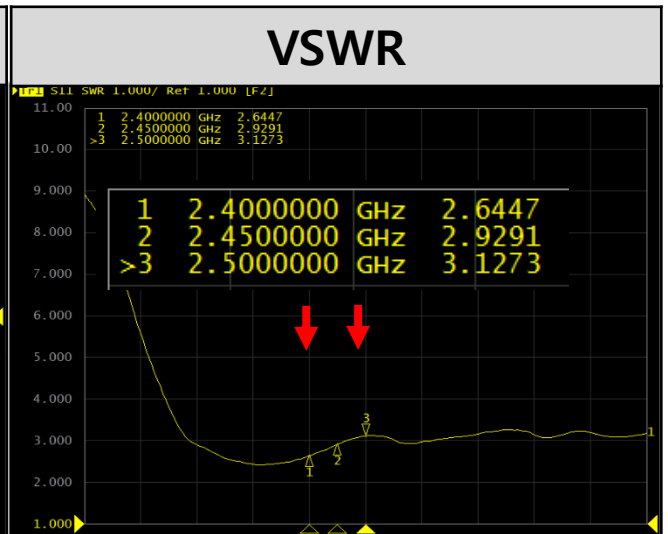
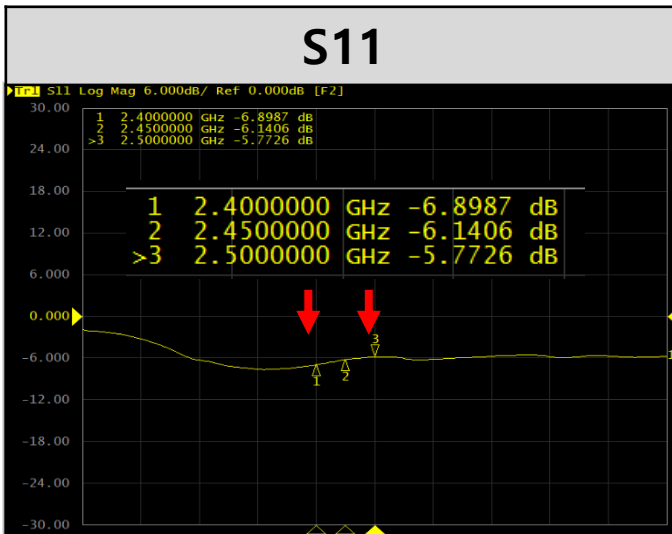


1.1 Test Result for MR24-GN (In Case)

	Peak [dBi]	Average [dBi]	Efficiency [%]
2400MHz	2.18	-3.64	43.3
2425MHz	1.98	-3.80	41.6
2445MHz	2.87	-2.99	50.3
2465MHz	2.16	-3.44	45.3
2485MHz	2.20	-3.45	45.2
2445MHz	Max peak gain(dBi)		2.87



➤ Passive Data



	1	2	3	4	5	6	7	8	9	10	11	12	13	14	15	16	17	18	
Frequency(MHz)	2400	2405	2410	2415	2420	2425	2430	2435	2440	2445	2450	2455	2460	2465	2470	2475	2480	2485	
Efficiency(dB)	-3.64	-3.56	-3.47	-3.52	-3.52	-3.80	-3.62	-3.42	-3.23	-2.99	-3.03	-3.26	-3.46	-3.44	-3.17	-3.04	-3.03	-3.45	
Efficiency(%)	43.3	44.0	44.9	44.5	44.5	41.6	43.4	45.5	47.6	50.3	49.8	47.2	45.1	45.3	48.1	49.7	49.7	45.2	
TRG _{Theta} (dB)	-4.73	-4.65	-4.54	-4.60	-4.59	-4.91	-4.70	-4.45	-4.29	-4.06	-4.11	-4.33	-4.57	-4.57	-4.28	-4.16	-4.15	-4.61	
TRG _{Phi} (dB)	-10.16	-10.10	-10.07	-10.08	-10.11	-10.27	-10.21	-10.15	-9.84	-9.60	-9.62	-9.89	-9.91	-9.83	-9.65	-9.47	-9.49	-9.72	
Peak Gain(dB)	2.18	2.18	2.16	2.14	2.27	1.98	2.18	2.28	2.44	2.87	2.85	2.55	2.23	2.16	2.64	2.60	2.63	2.20	
Directivity(dB)	5.82	5.75	5.63	5.66	5.79	5.78	5.80	5.70	5.67	5.86	5.88	5.81	5.69	5.59	5.81	5.64	5.66	5.65	
Minimum Gain(dB)	-20.15	-23.49	-20.09	-22.28	-21.10	-21.50	-20.73	-22.82	-22.79	-21.07	-20.52	-19.70	-21.27	-20.33	-21.65	-18.77	-21.51	-20.41	
Average Efficiency	-3.43 dBi		45.42 %																



1.1 Test Result for MR24-GN (In Case)

