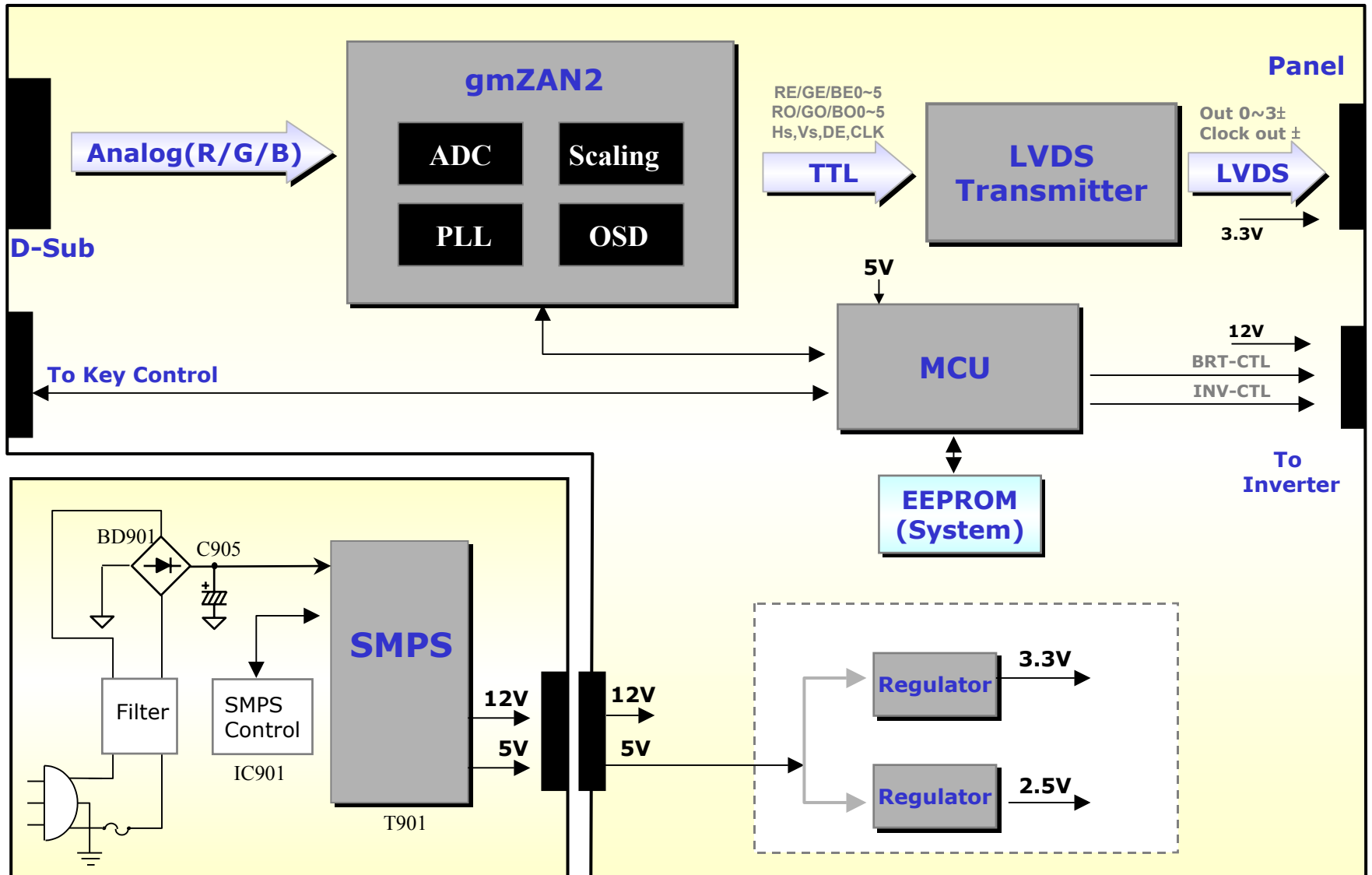


APPENDIX D  
: BLOCK DIAGRAM

# Block Diagram ( LCD panel : HT15X13-200A, HYUNDAI)



# Block Diagram (LCD panel : LM151X05, LG Philips)

