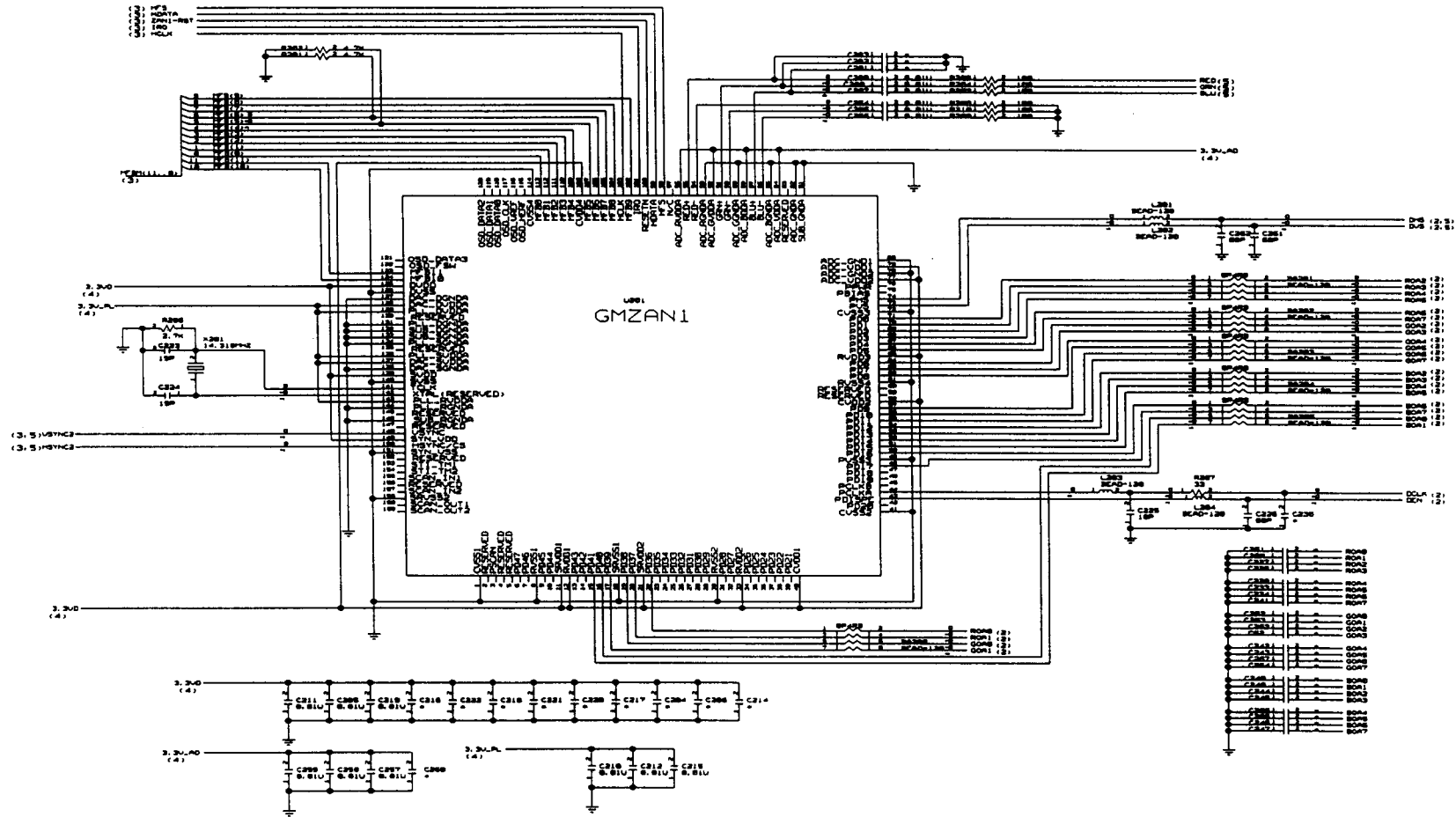


ATTACHMENT G – SCHEMATIC DIAGRAM(S)

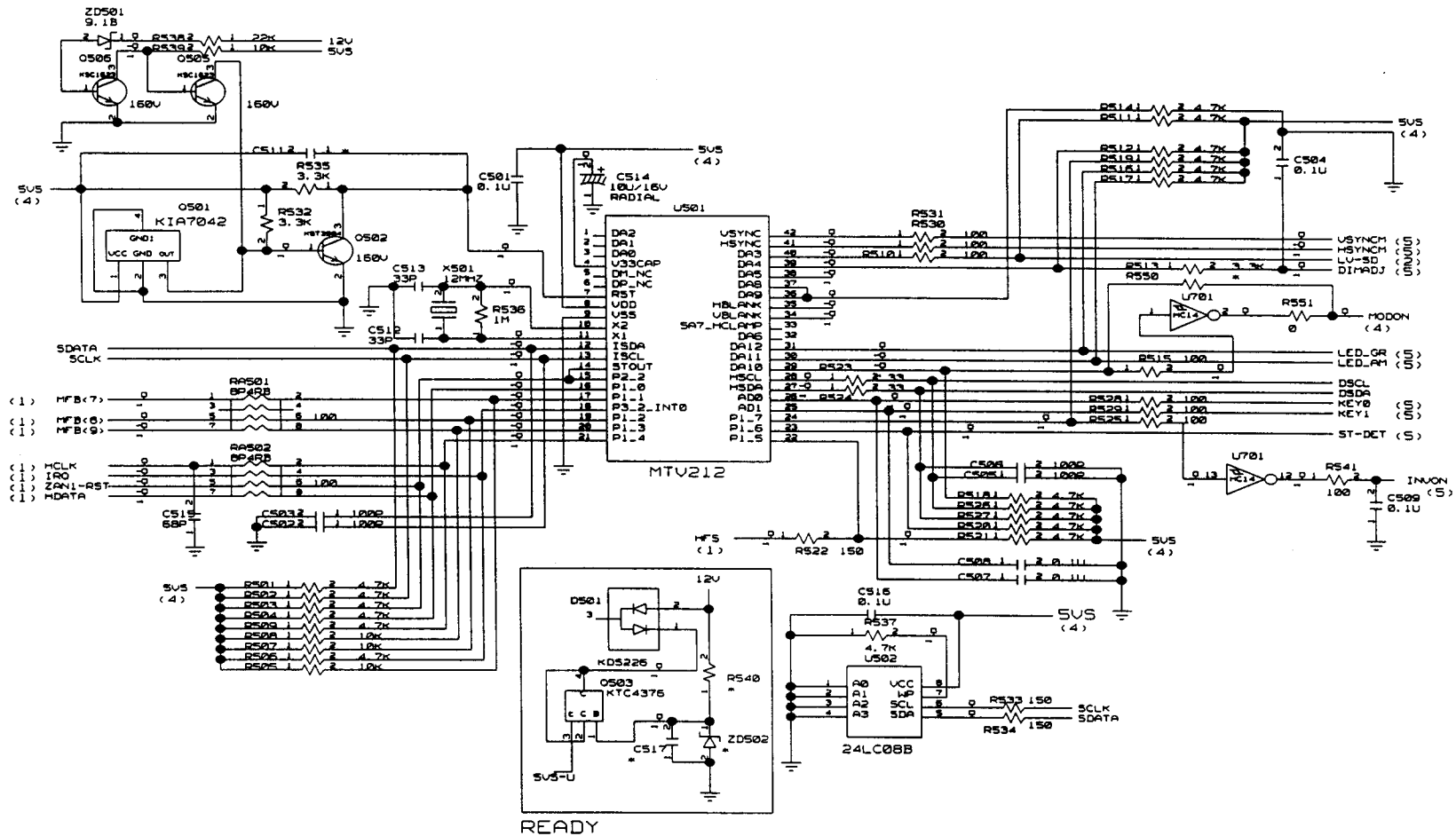
1 GATEWAY LG56AL&LG56AM
GMZAN1



LG Electronics Inc.
MNT OBU

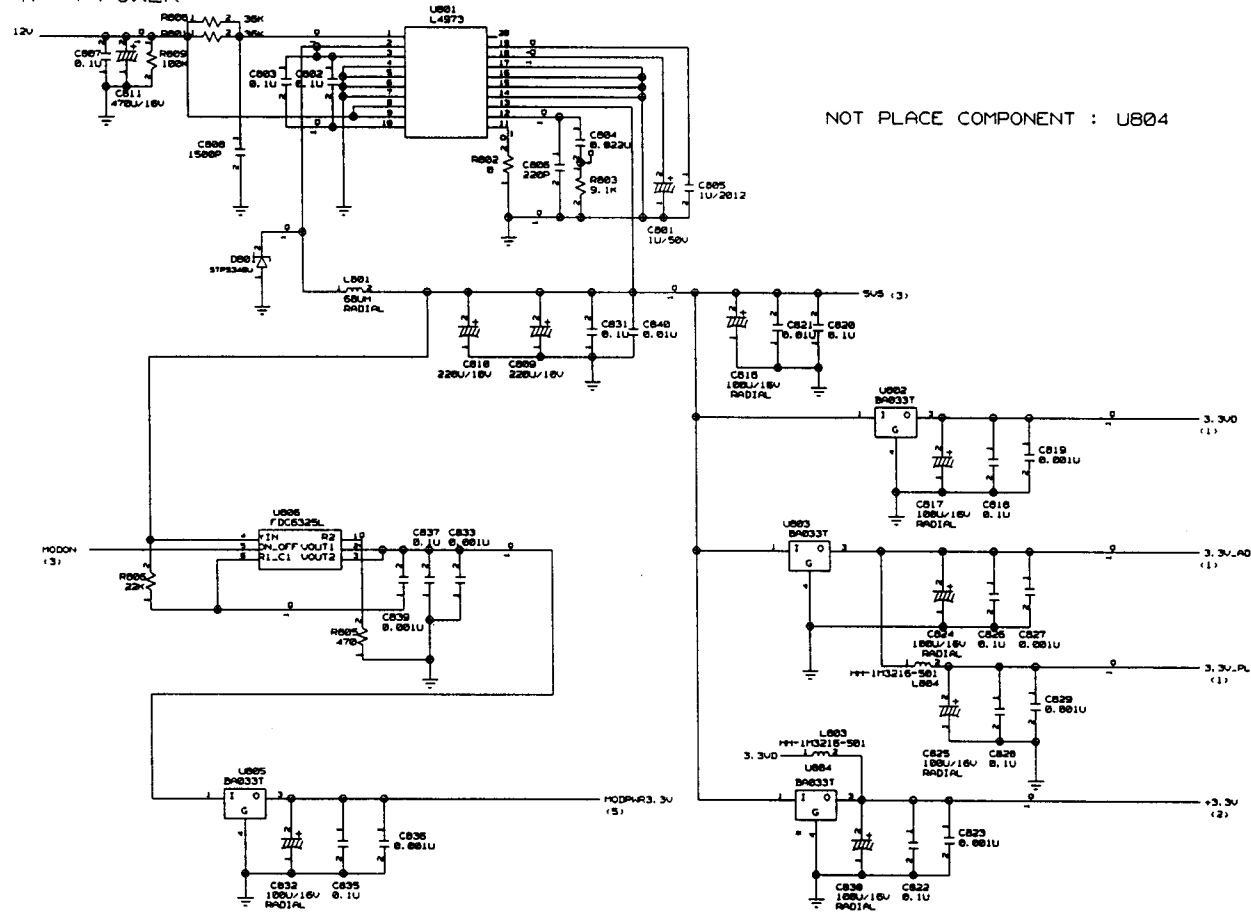
BLOCK : Scaler	
EVENT: MP	DATE: 2001.10.10
MODEL: LG56AL&LG56AM	SHEET 1 / 12

#3 GATEWAY LG56AL&LG56AM MICOM



BLOCK : MICOM	
EVENT : MP	DATE : 2001.10.10
MODEL : LG56AL&LG56AM	SHEET 3 / 12

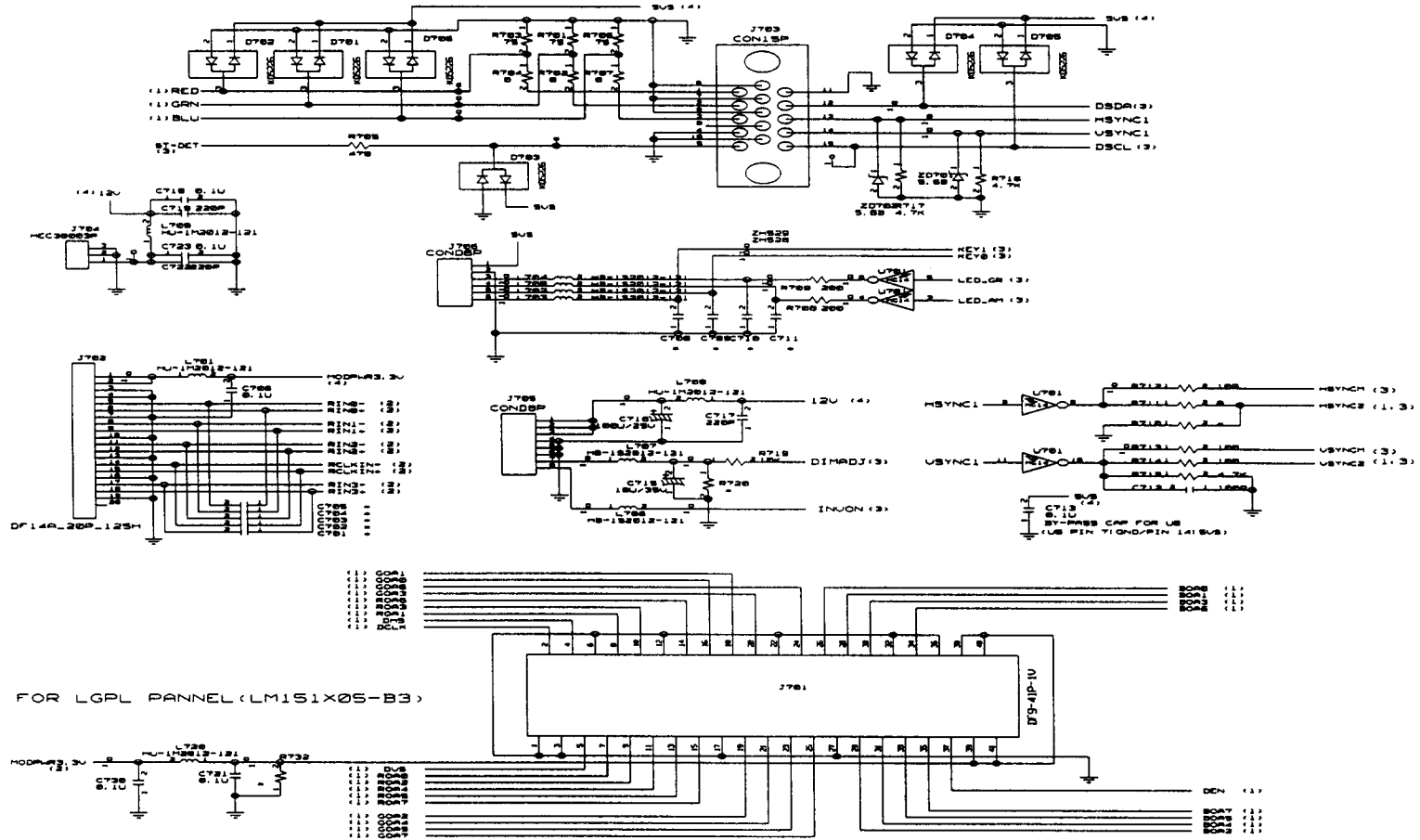
4 GATEWAY LG56AL&LG56AM
POWER



NOT PLACE COMPONENT : U804

BLOCK : DC/DC Converter	
EVENT : MP	DATE : 2001.10.10
MODEL : LG56AL&LG56AM	SHEET 4 / 12

U G D T E Z F M Y C D Y D F G W U X 4 X C K S



LG Electronics Inc.
MNT OBU

BLOCK : Output Device	
EVENT : MP	DATE : 2001.10.10
MODEL : LG56AL&LG56AM	SHEET 5 / 12