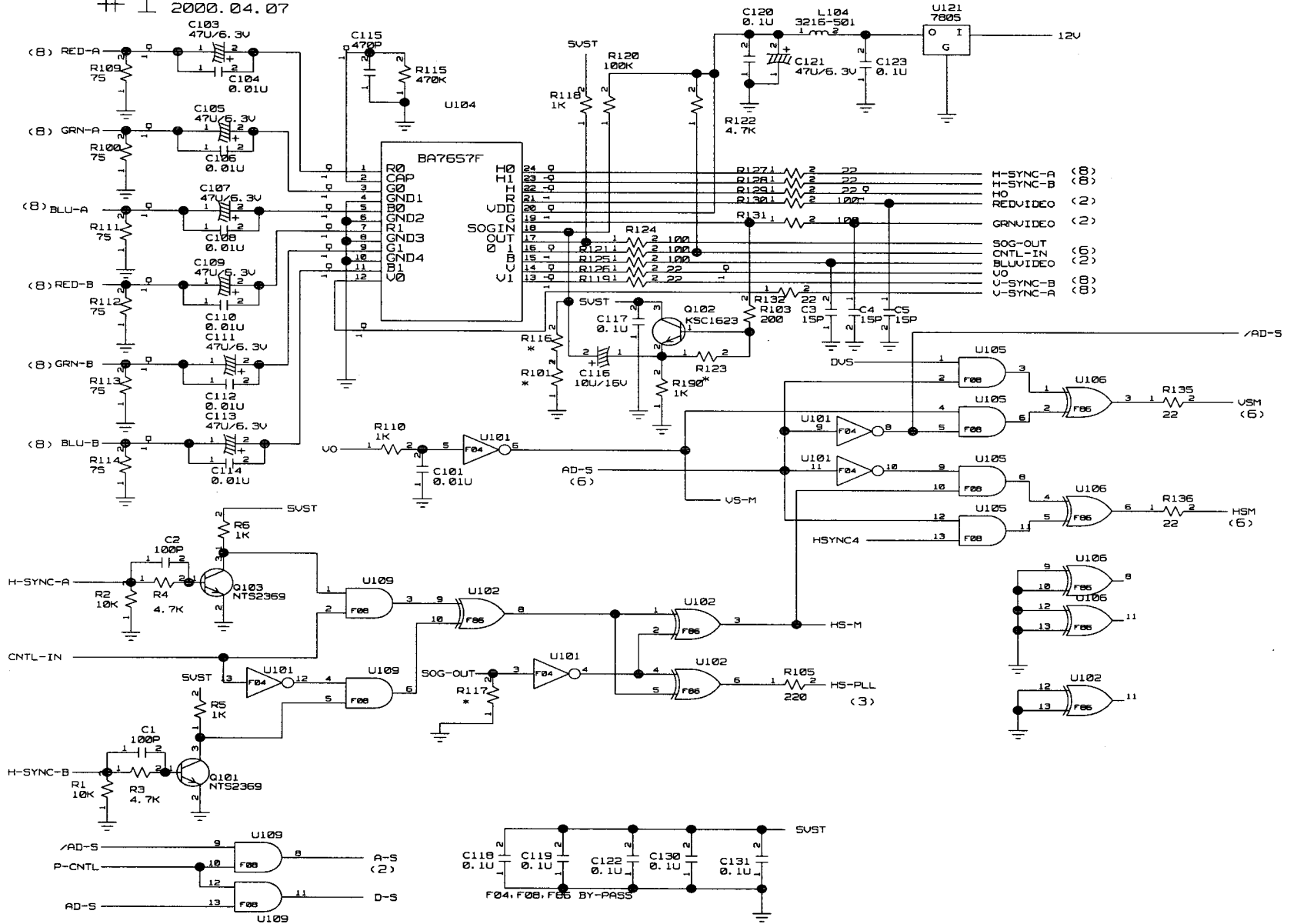
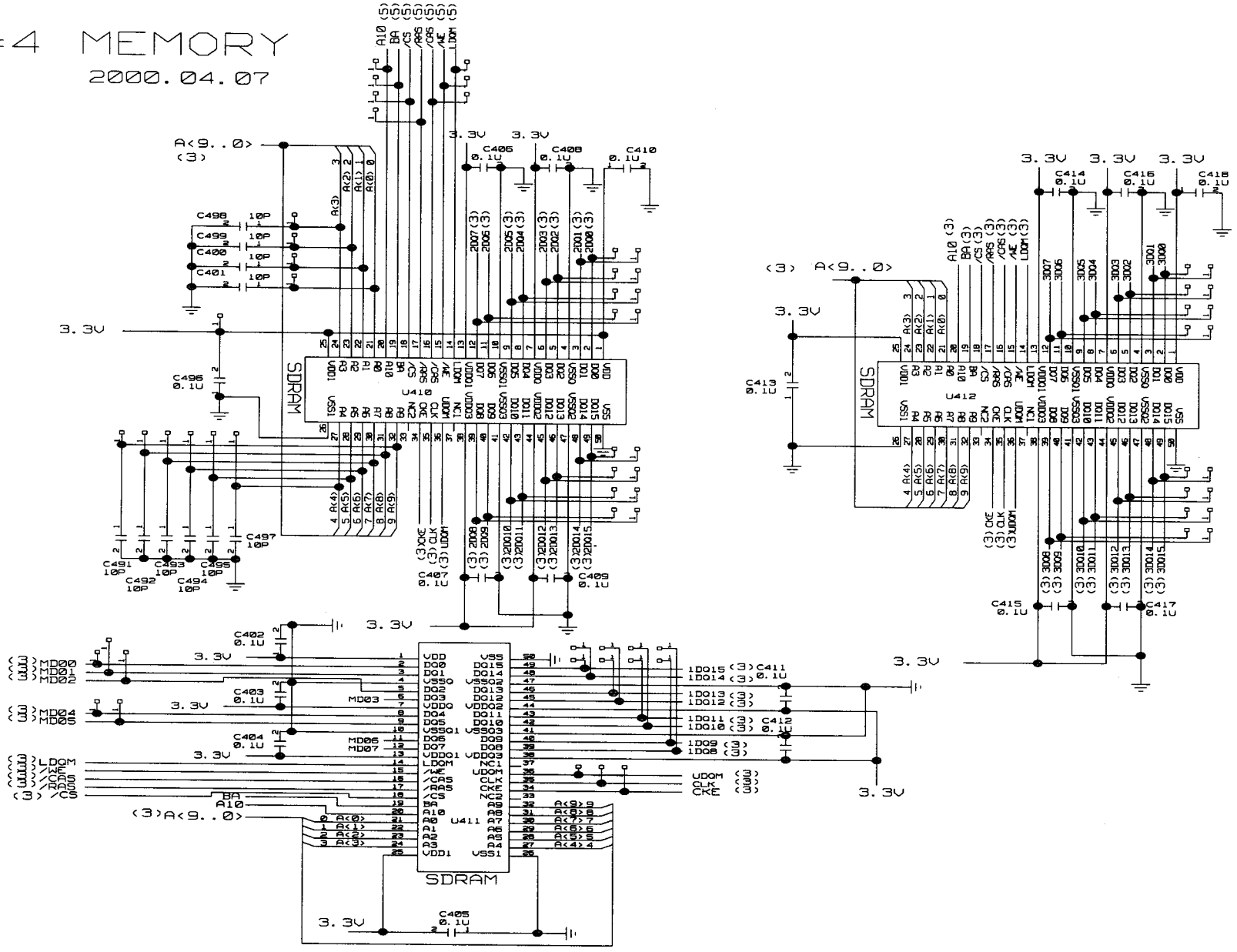


1 INPUT SWITCHING
2000.04.07

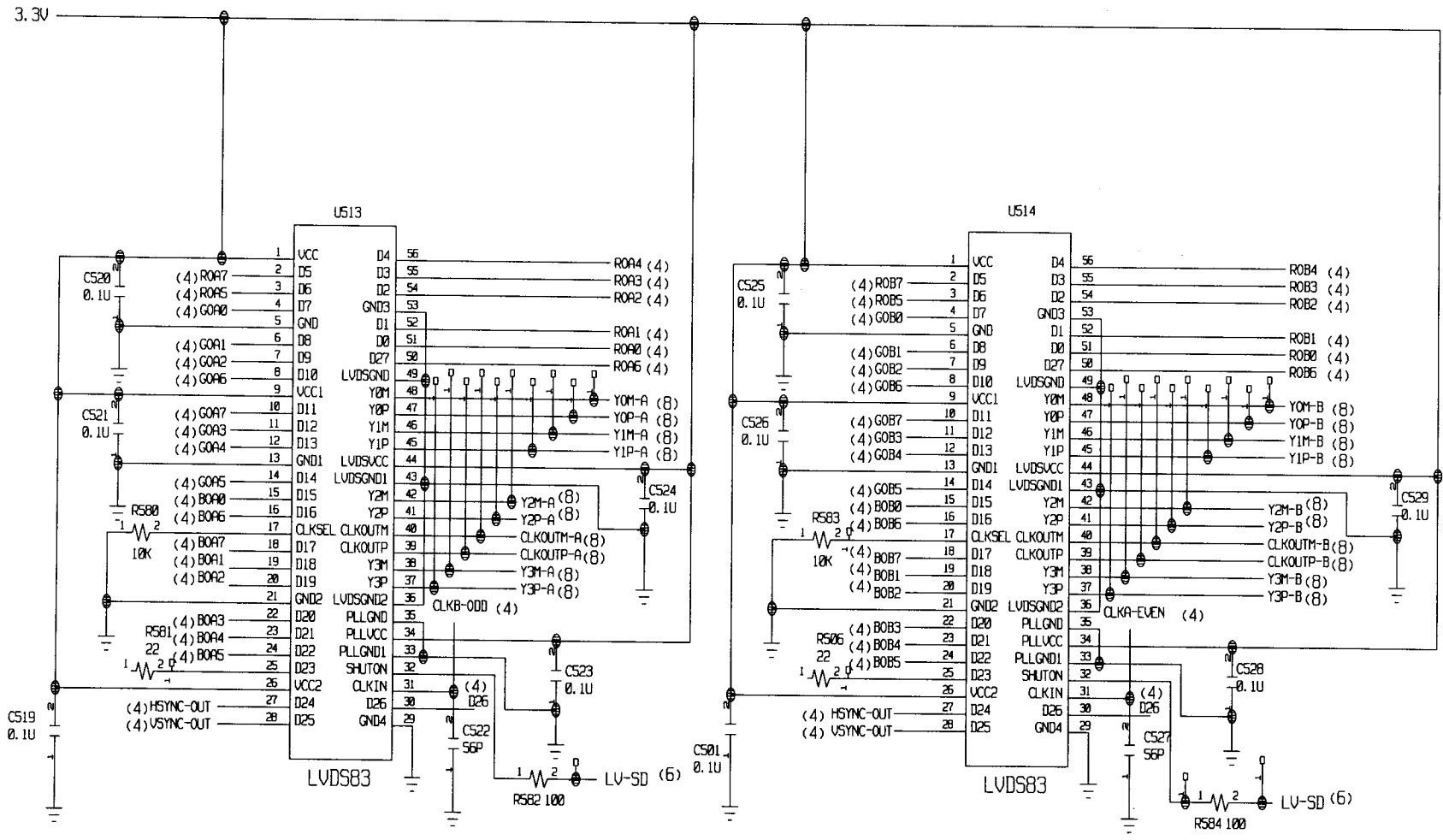


#4 MEMORY

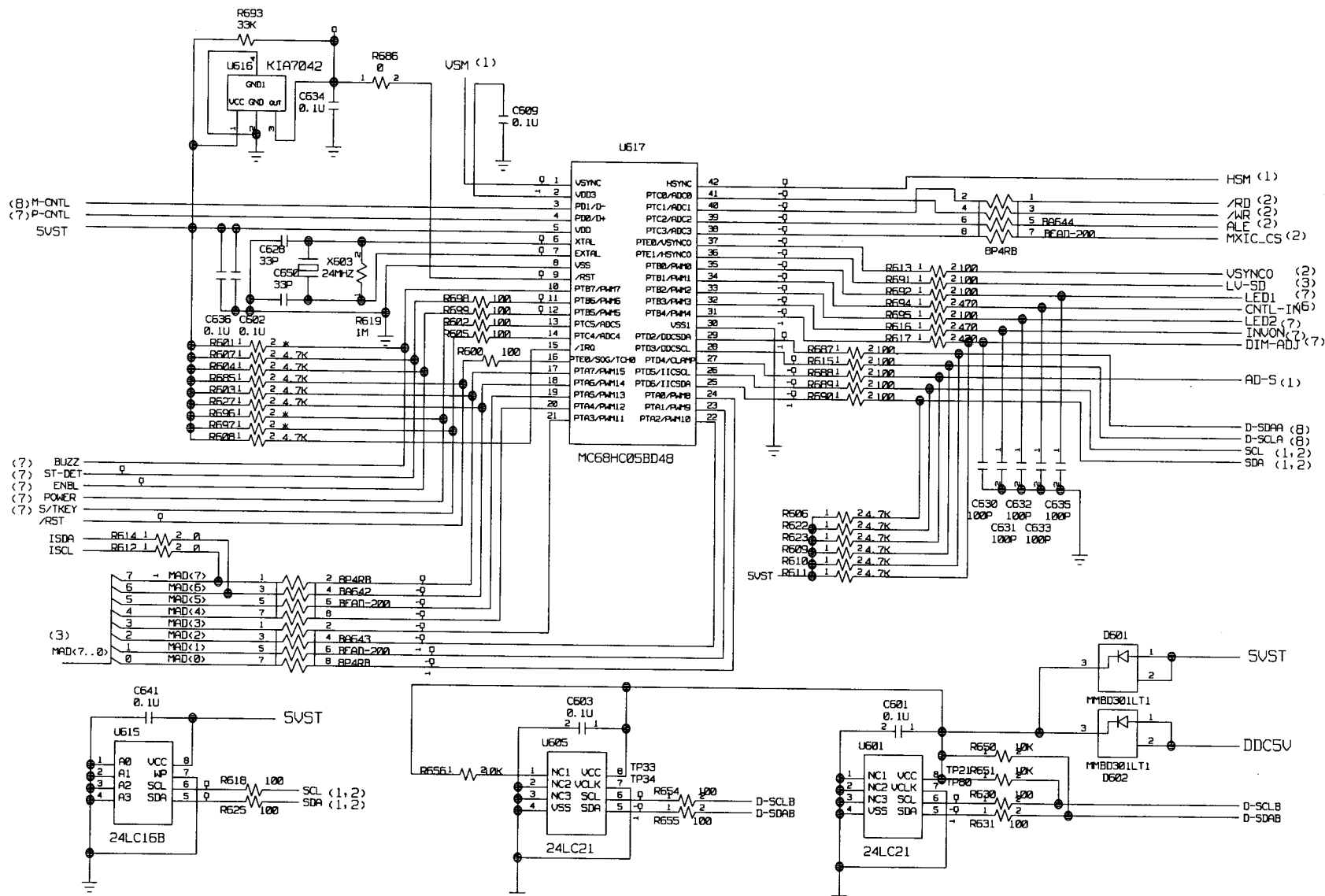
2000.04.07



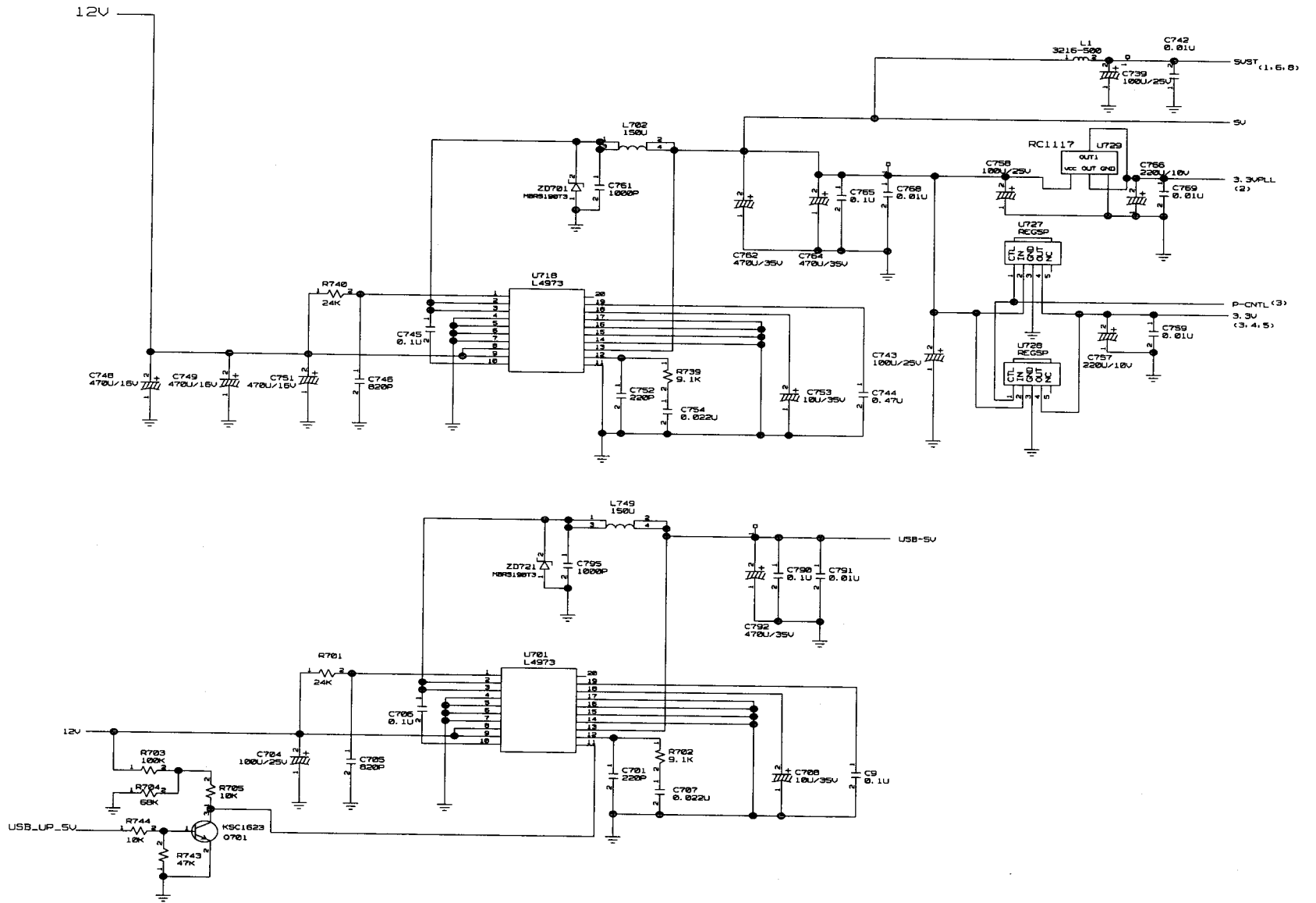
#5 LVDS
2000.04.07



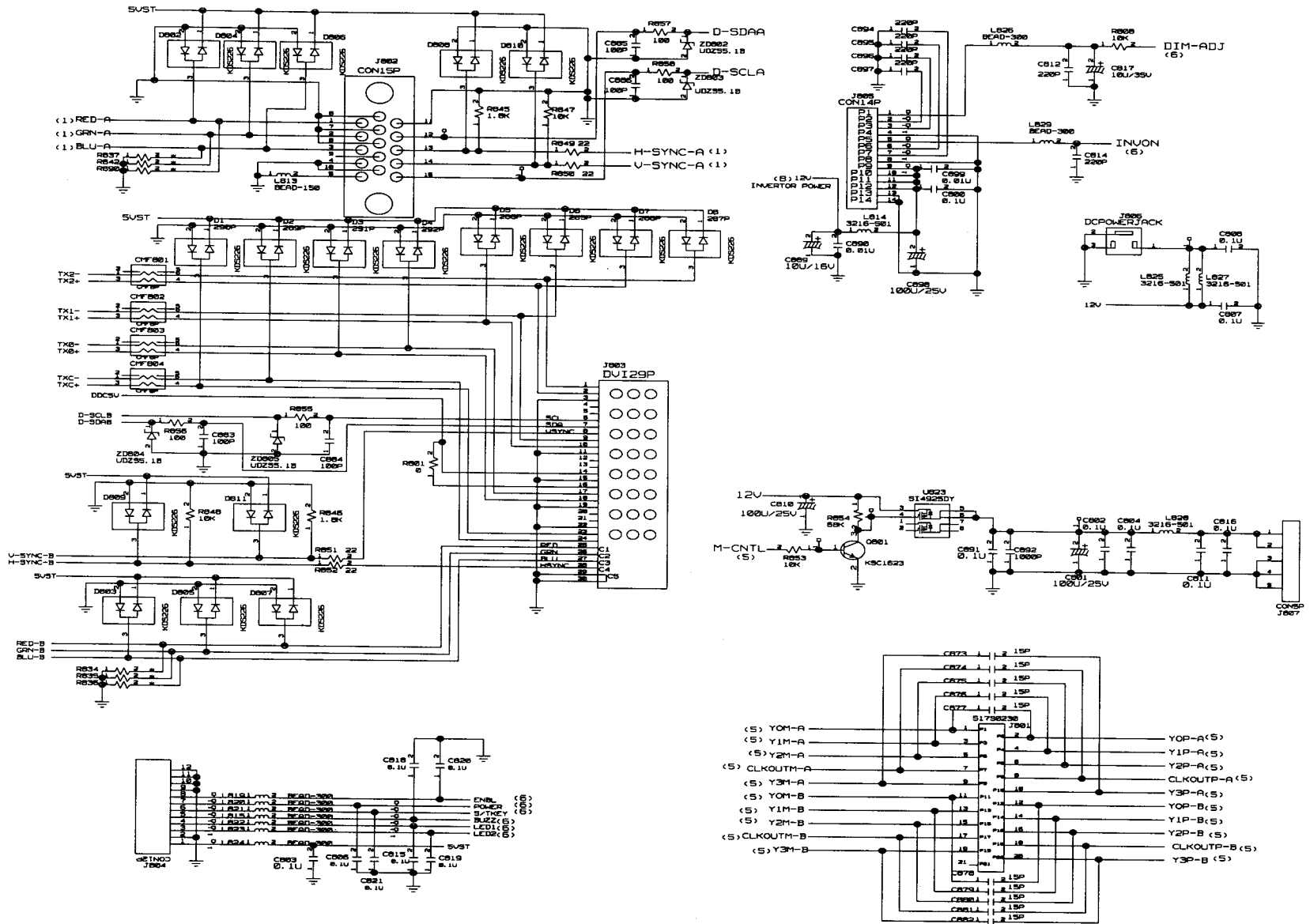
2000.04.07
MICOM



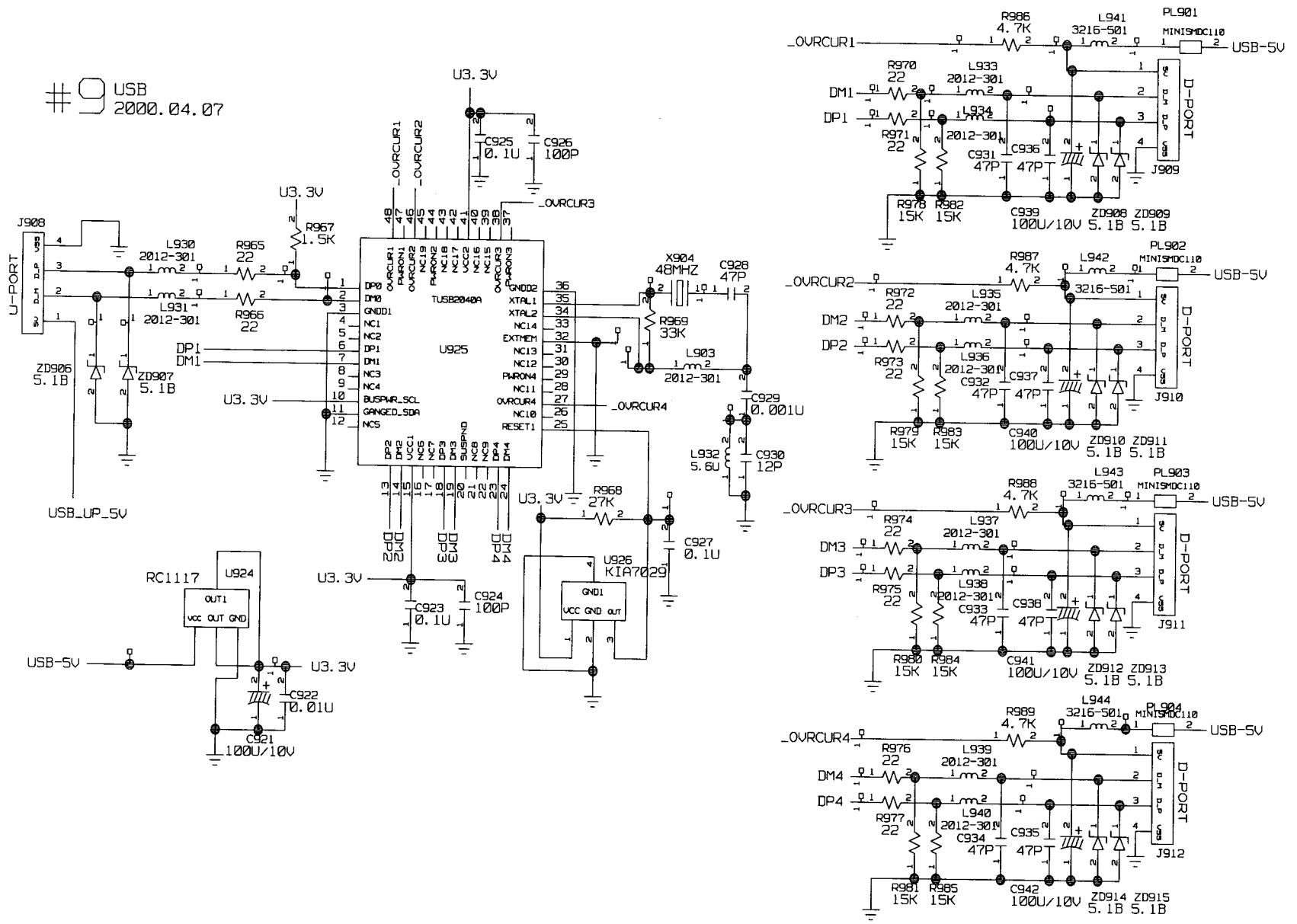
7 DC/DC CONVERTOR
2000.04.07



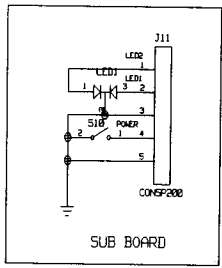
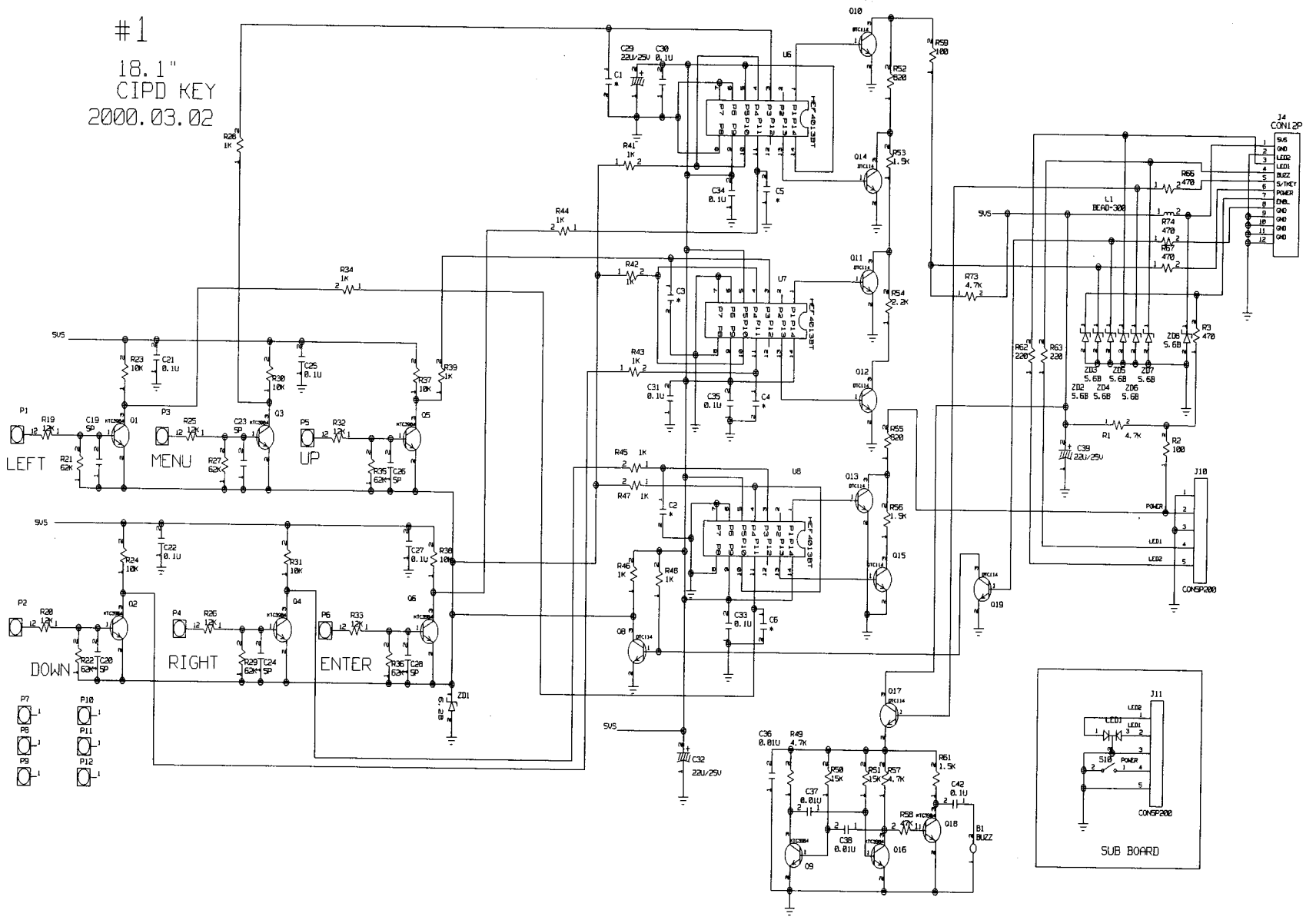
#8 2000.04.07
CONNECTOR & JACKS (BRAND)

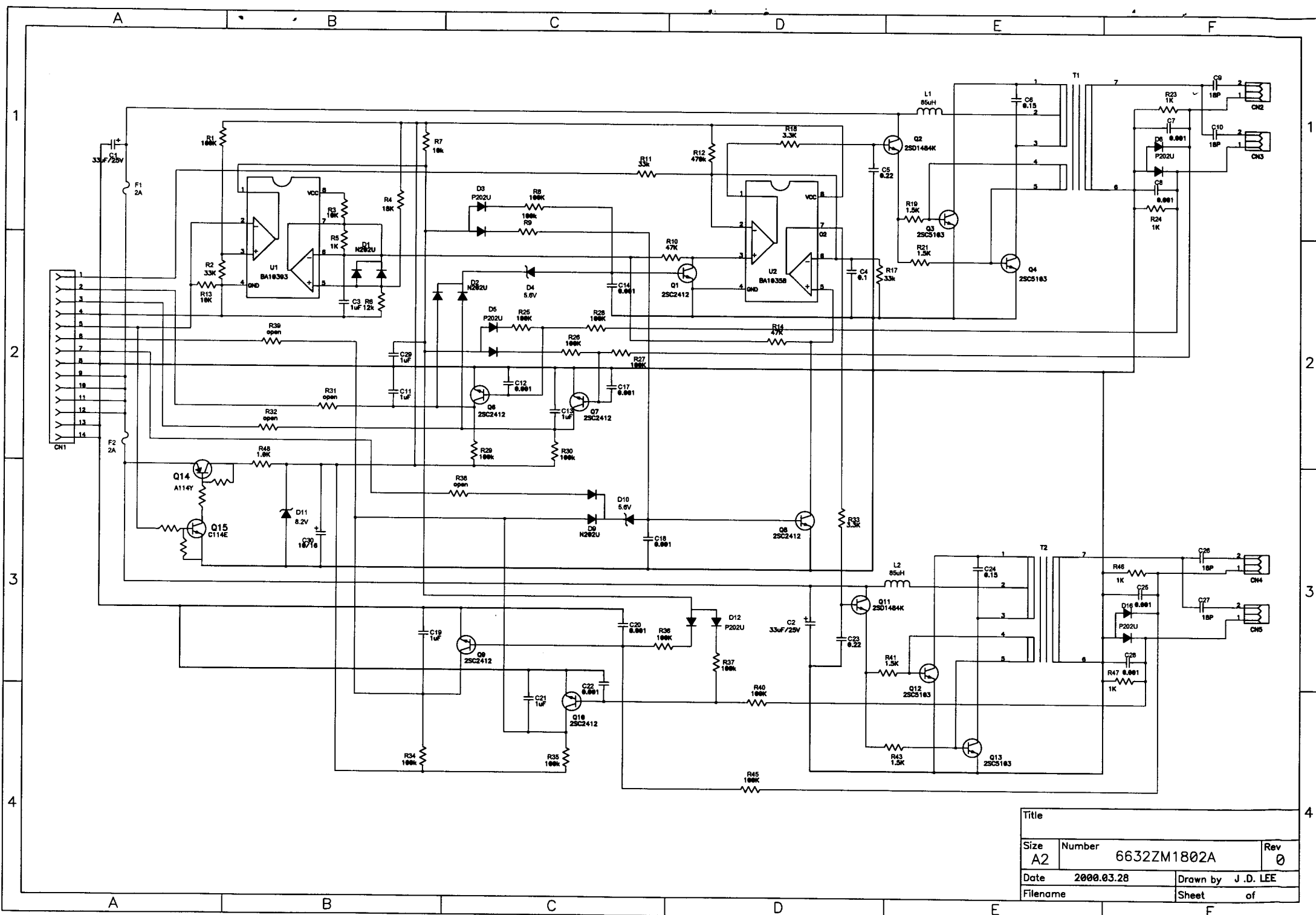


#9 USB
2000.04.07



#1
 18.1"
 CIPD KEY
 2000.03.02





Title		
Size	Number	Rev
A2	6632ZM1802A	0
Date	2000.03.28	Drawn by J. D. LEE
Filename	Sheet of	