

## Using wireless keyboard and Mouse

### KBA2/MSA2

#### ▶ Insert and replace wireless keyboard / mouse battery

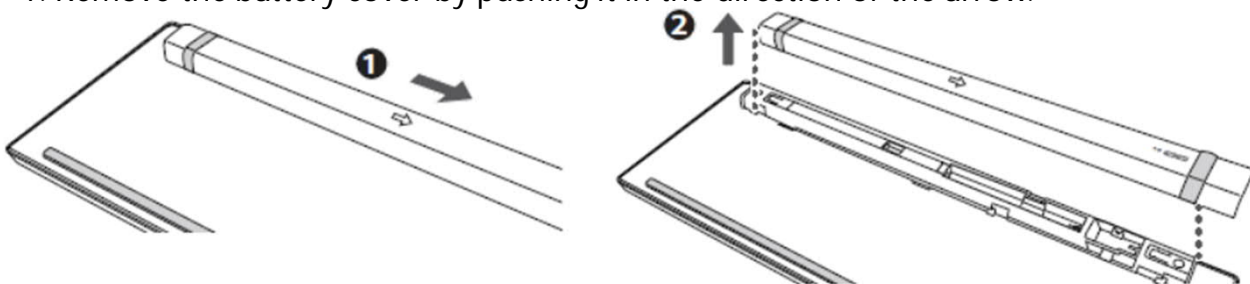
Insert or replace the battery in the following ways to use the wireless keyboard and mouse. Batteries are provided when purchasing products, and AAA type 1.5 V battery is used.

#### [Notes]

- The power button is not provided on the wireless keyboard.
- Low battery can cause wireless keyboard/mouse to stop operation. (Please change the battery.)
- Do not use it close to other devices such as microwave, wireless router, etc. as interference may occur with these devices that use frequencies in the 2.4 GHz band.
- If you are not using your PC for a long time, turn off the power button of mouse.

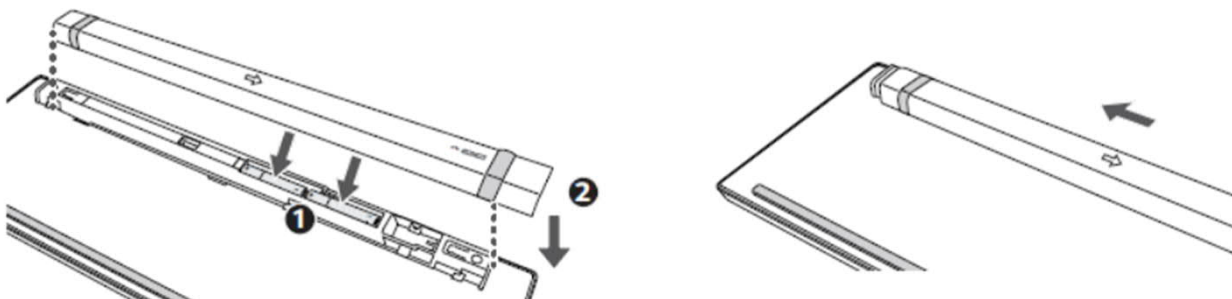
#### Inserting and replacing the wireless keyboard battery

1. Remove the battery cover by pushing it in the direction of the arrow.



2. Insert or replace the two batteries in the +/- direction and close the battery cover in the direction of the arrow.

3. Push it until it makes a "click" sound in the direction of the arrow.



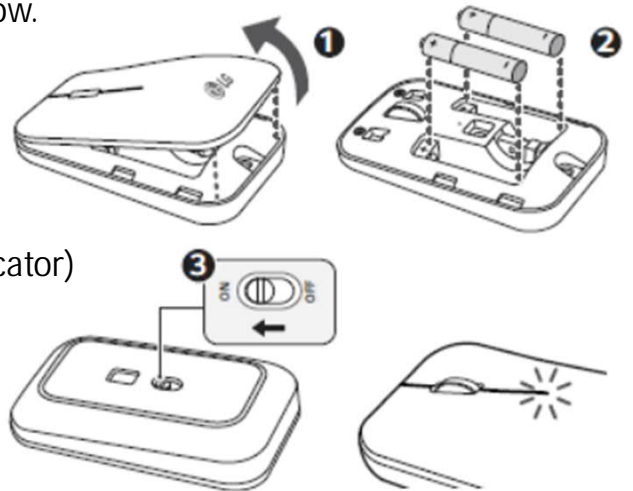
4. If the battery is consumed and replacement is required, the battery replacement notification LED is turned on. When the battery is completely exhausted, the LED will no longer turn on.



## Using wireless keyboard and Mouse

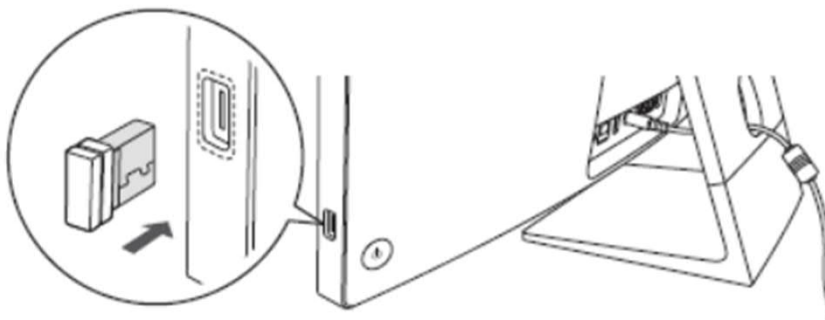
### Inserting and replacing the wireless mouse battery

1. Remove the battery cover in the direction of the arrow.
2. Insert the two batteries in the +/- direction and close the battery cover.
3. Turn on the mouse as shown in the picture.  
When the power is on, the red LED (battery status indicator) in the center of mouse turns on for 5 seconds.
4. If the battery is exhausted and needs to be replaced, the battery status indicator will continue to blink.  
When the battery is completely exhausted, the LED will no longer turn on.
5. Replace the battery in reverse order of how to insert the battery.



### Connecting and using the receiver

Wireless keyboard and mouse is synchronized when shipping the product, and it can be used immediately without any additional settings.



<Example: Inserting a wireless receiver>

## Using wireless keyboard and Mouse

### Caution

When connecting with other products, compatibility issues may occur with some products. LG Electronics does not guarantee compatibility with all peripheral devices.

Use between 0°C and 40°C. There is a risk of product damage, errors, or explosion if used and stored at too low or too high temperatures.

Install in a safe place where there is no risk of falling.

Falling may damage the product or cause personal injury.

Be careful not to spill liquids such as water, coffee or juice on the mouse as it may cause defect or malfunction.

Keep the product away from hot products (heaters, etc.). The product may be deformed or there is a risk of fire.

When not using the product for a long time, turn off the product to prevent unnecessary battery consumption.

Do not disassemble or modify the product. Even during the warranty period, it is not the subject for free maintenance.

For users who have transplanted a medical device, please use it after consulting a doctor.

Avoid exposure to direct sunlight in places such as inside a closed car. The shape of the product may be deformed due to an increase in temperature, or there is a risk of fire.

Do not use it for any purpose other than the mouse function.

Risk of fire or explosion if the battery is replaced by an incorrect type

Keep out of reach of children.

The nano receiver (dongle) provided with the mouse is set to work only with the wireless mouse you purchased. Please note that it does not work with other models and the same model of other serial number.

Este equipamento não tem direito à proteção contra interferência prejudicial e não pode causar interferência em sistemas devidamente autorizados.



## Using wireless keyboard and Mouse

### Federal Communication Commission Interference Statement

This device complies with Part 15 of the FCC Rules. Operation is subject to the following two conditions: (1) This device may not cause harmful interference, and (2) this device must accept any interference received, including interference that may cause undesired operation.

This equipment has been tested and found to comply with the limits for a Class B digital device, pursuant to Part 15 of the FCC Rules. These limits are designed to provide reasonable protection against harmful interference in a residential installation. This equipment generates, uses and can radiate radio frequency energy and, if not installed and used in accordance with the instructions, may cause harmful interference to radio communications. However, there is no guarantee that interference will not occur in a particular installation. If this equipment does cause harmful interference to radio or television reception, which can be determined by turning the equipment off and on, the user is encouraged to try to correct the interference by one of the following measures:

- Reorient or relocate the receiving antenna.
- Increase the separation between the equipment and receiver.
- Connect the equipment into an outlet on a circuit different from that to which the receiver is connected.
- Consult the dealer or an experienced radio/TV technician for help.

FCC Caution: Any changes or modifications not expressly approved by the party responsible for compliance could void the user's authority to operate this equipment.

This transmitter must not be co-located or operating in conjunction with any other antenna or transmitter.

### Radiation Exposure Statement:

The product comply with the FCC portable RF exposure limit set forth for an uncontrolled environment and are safe for intended operation as described in this manual. The further RF exposure reduction can be achieved if the product can be kept as far as possible from the user body or set the device to lower output power if such function is available.

### Industry Canada statement:

This device complies with ISED's licence-exempt RSSs. Operation is subject to the following two conditions: (1) This device may not cause harmful interference, and (2) this device must accept any interference received, including interference that may cause undesired operation.

Le présent appareil est conforme aux CNR d'ISED applicables aux appareils radio exempts de licence. L'exploitation est autorisée aux deux conditions suivantes : (1) le dispositif ne doit pas produire de brouillage préjudiciable, et (2) ce dispositif doit accepter tout brouillage reçu, y compris un brouillage susceptible de provoquer un fonctionnement indésirable.

### Radiation Exposure Statement:

The product comply with the Canada portable RF exposure limit set forth for an uncontrolled environment and are safe for intended operation as described in this manual. The further RF exposure reduction can be achieved if the product can be kept as far as possible from the user body or set the device to lower output power if such function is available.

### Déclaration d'exposition aux radiations:

Le produit est conforme aux limites d'exposition pour les appareils portables RF pour les Etats-Unis et le Canada établies pour un environnement non contrôlé.

Le produit est sûr pour un fonctionnement tel que décrit dans ce manuel. La réduction aux expositions RF peut être augmentée si l'appareil peut être conservé aussi loin que possible du corps de l'utilisateur ou que le dispositif est réglé sur la puissance de sortie la plus faible si une telle fonction est disponible..