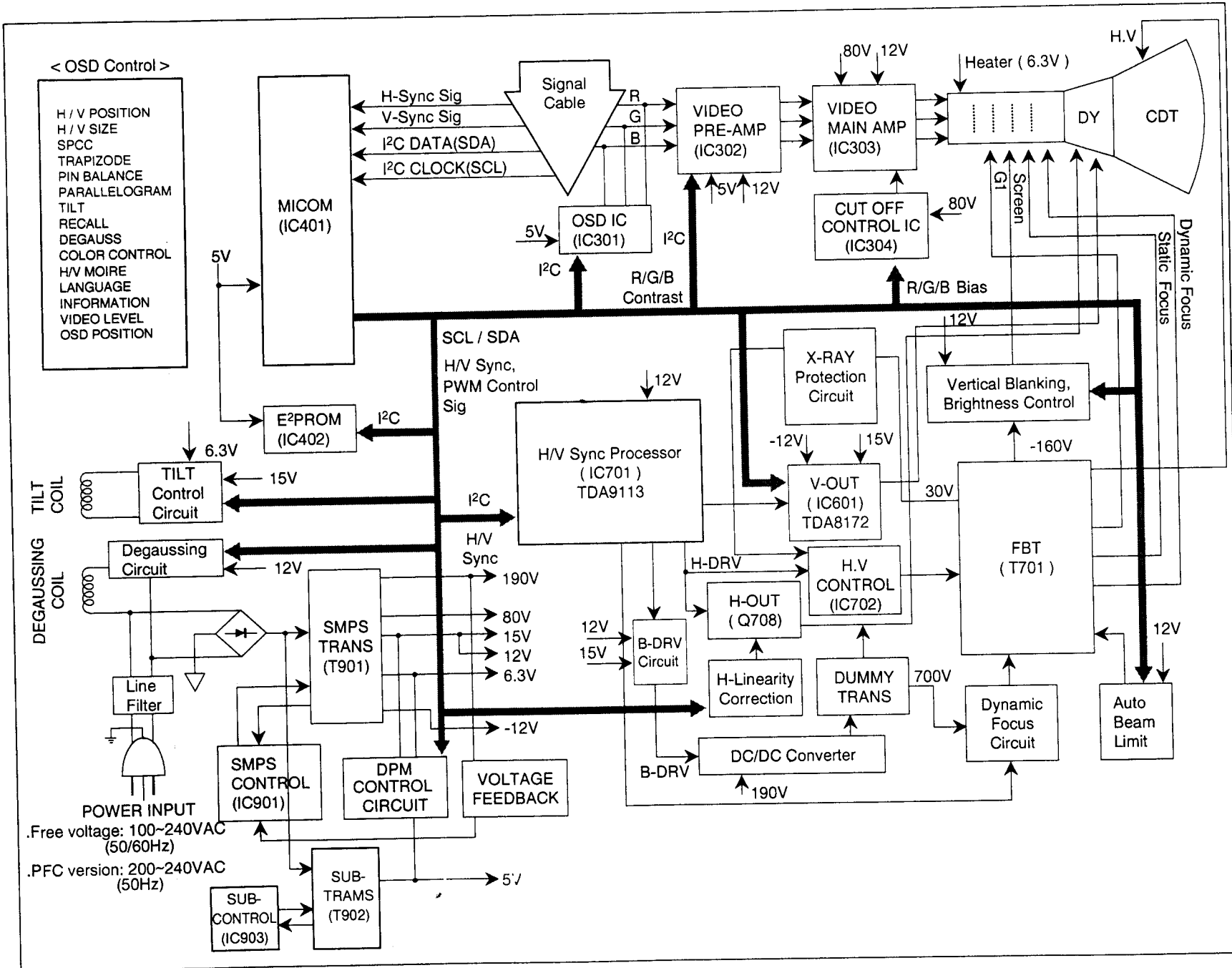


## **ATTACHMENT F – BLOCK DIAGRAM(S)**

---



BLOCK DIAGRAM FB995E.