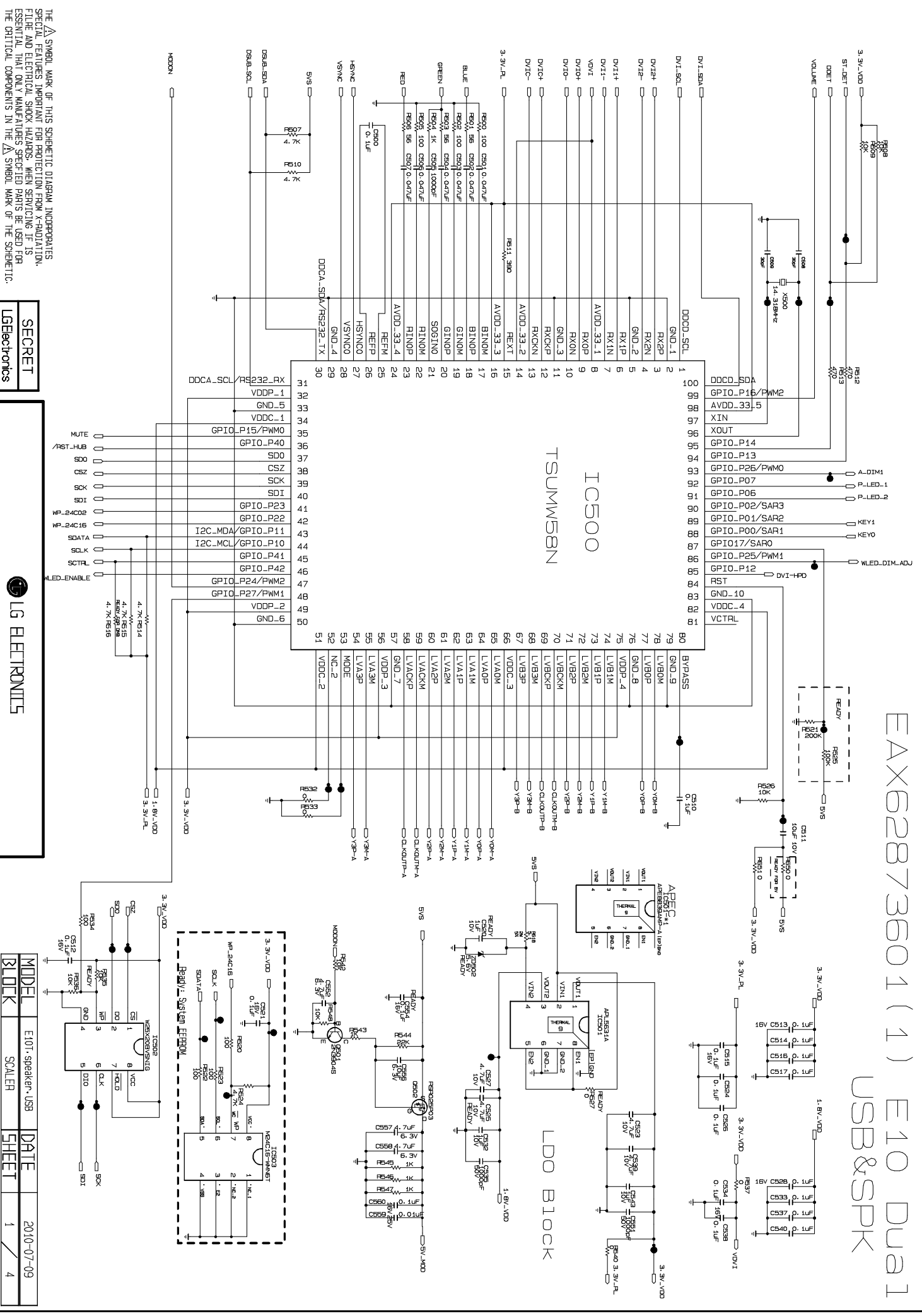


# EAX62873601(1) E10 DuA1 USB&SPK



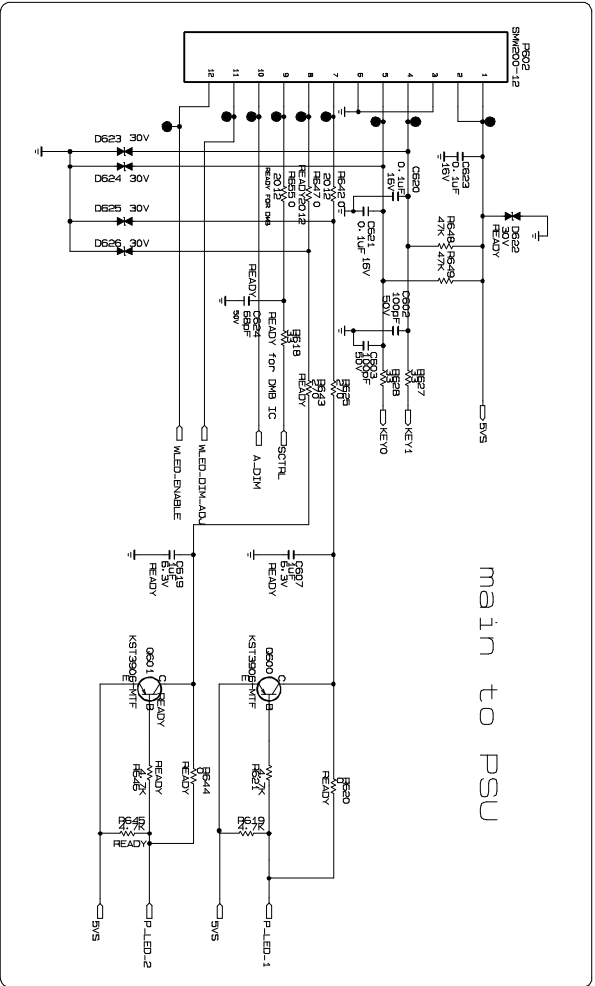
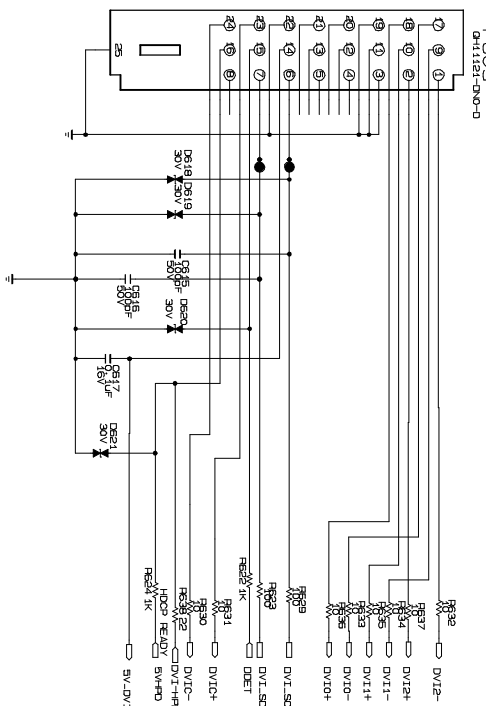
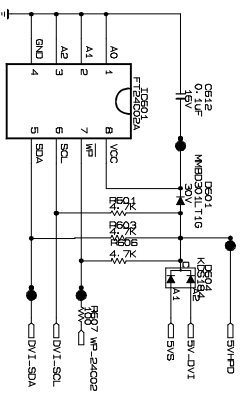
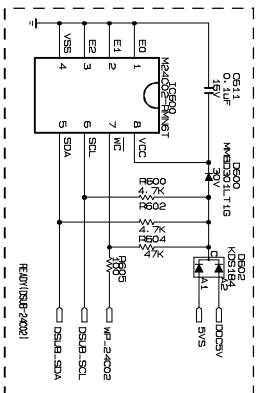
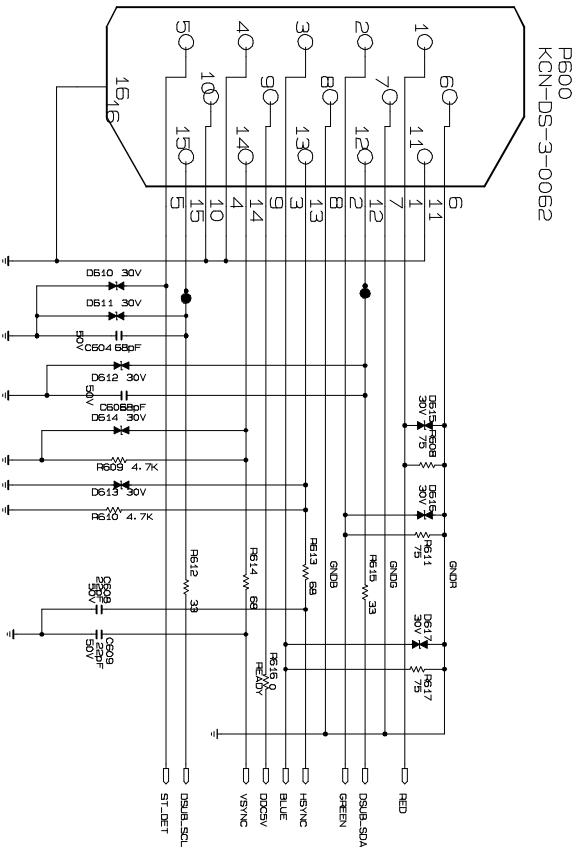
THE  $\Delta$  SYMBOL MARK OF THIS SCHEMATIC DIAGRAM INCORPORATES SPECIAL FEATURES IMPORTANT FOR PROTECTION FROM X-RADIATION, FLUORE AND ELECTRICAL SHOCK HAZARDS. WHEN SERVICING IT IS ESSENTIAL THAT ONLY MANUFACTURERS SPECIFIED PARTS BE USED FOR THE CRITICAL COMPONENTS IN THE  $\Delta$  SYMBOL MARK OF THE SCHEMATIC.

**SECRET**

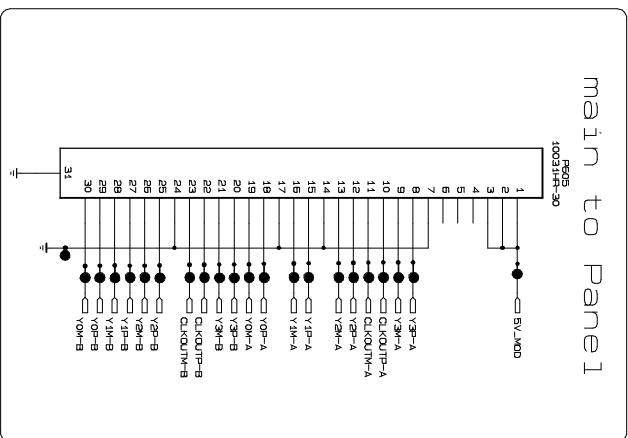
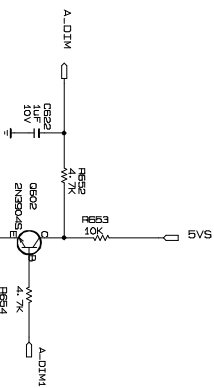
LGElectronics

LG ELECTRONICS

MODEL	E10T speaker-USB	DATE	2010-07-09
BLOCK	SCALER	SHEET	1 / 4



main to PSU



main to Panel

THE Δ SYMBOL MARK OF THIS SCHEMATIC DIAGRAM INCORPORATES SPECIAL FEATURES IMPORTANT FOR PROTECTION FROM X-RADIATION, FLUORESCENT LIGHT AND ELECTRICAL SHOCK HAZARDS. WHEN SERVICING IT IS ESSENTIAL THAT ONLY MANUFACTURER SPECIFIED PARTS BE USED FOR THE CRITICAL COMPONENTS IN THE Δ SYMBOL MARK OF THE SCHEMATIC.

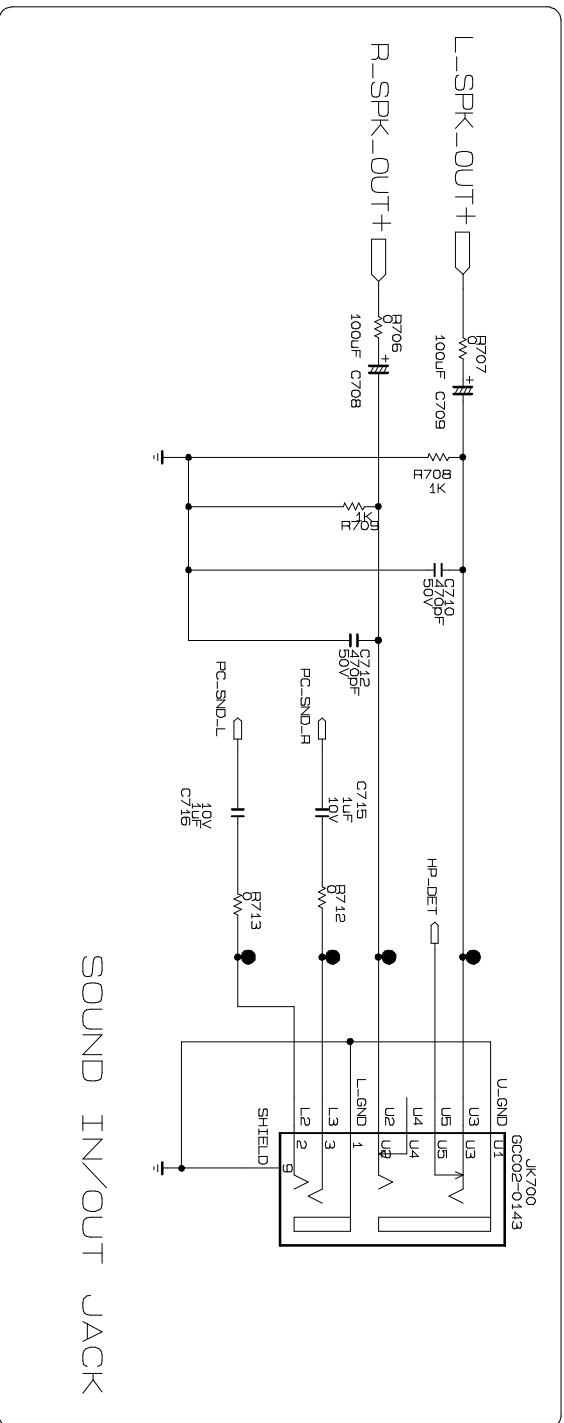
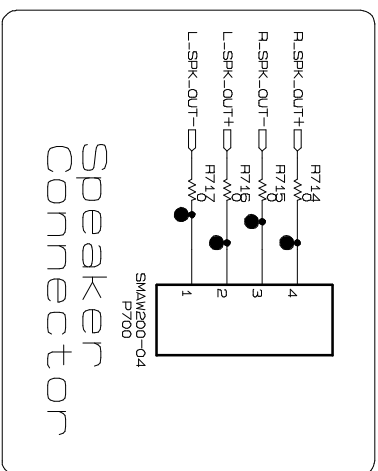
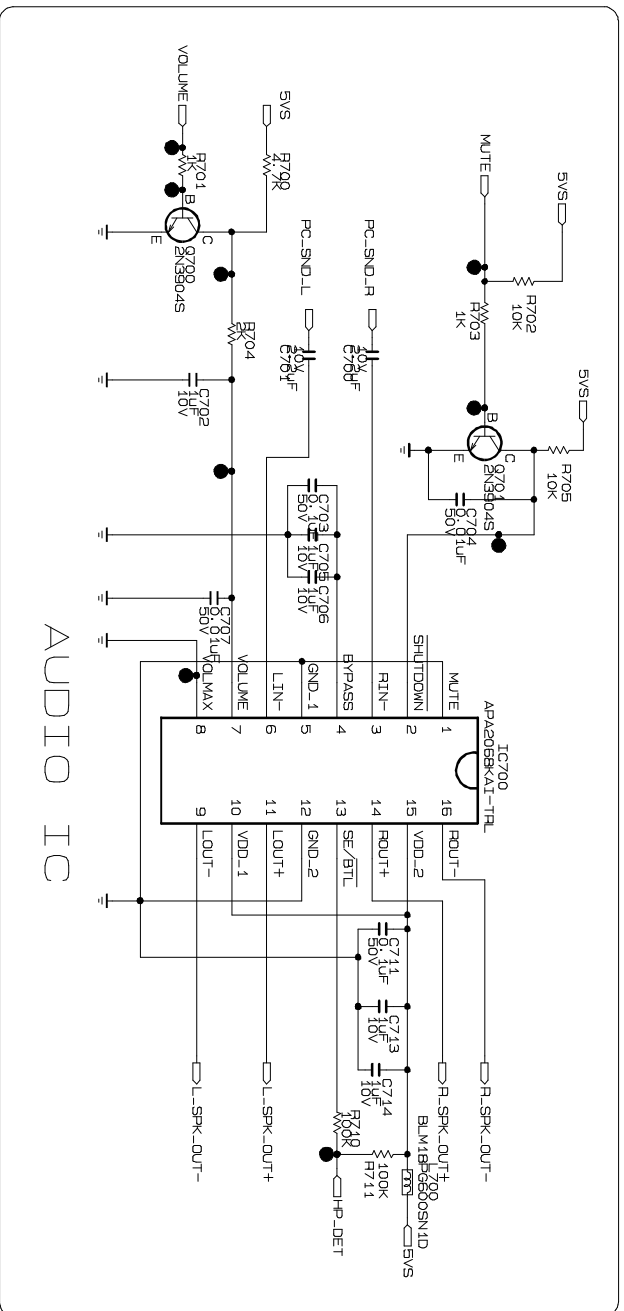
SECRET

LGElectronics



LG ELECTRONICS

MODEL	E101-speaker-USB	DATE	2010-07-09
BLOCK	POWER & WAFER	SHEET	2 / 4



THE SYMBOL MARK OF THIS SCHEMATIC DIAGRAM INCORPORATES SPECIAL FEATURES IMPORTANT FOR PROTECTION FROM X-RADIATION. FILM AND ELECTRICAL SHOCK HAZARDS. WHEN SERVICING IT IS ESSENTIAL THAT ONLY MANUFACTURES SPECIFIED PARTS BE USED FOR THE CRITICAL COMPONENTS IN THE SYMBOL MARK OF THE SCHEMATIC.

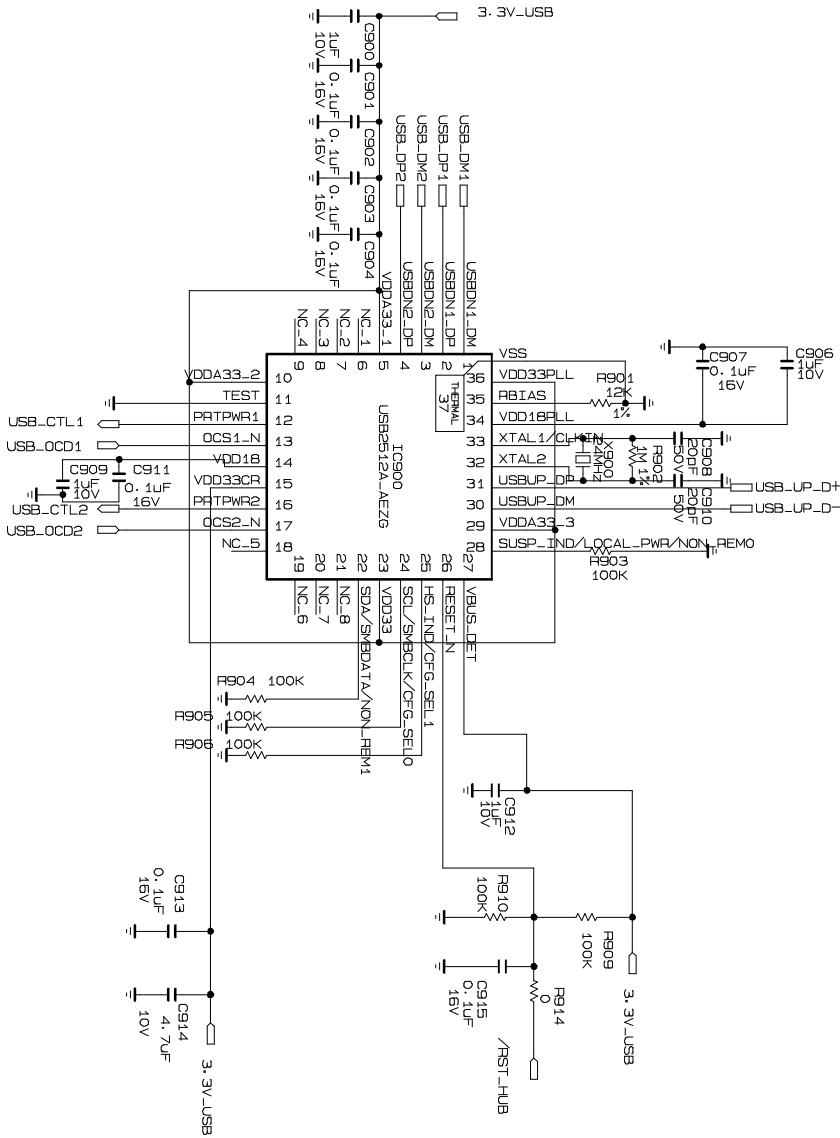
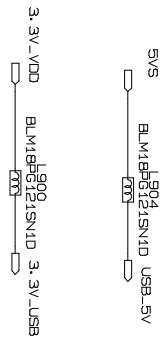
**SECRET**  
LGElectronics

LG ELECTRONICS

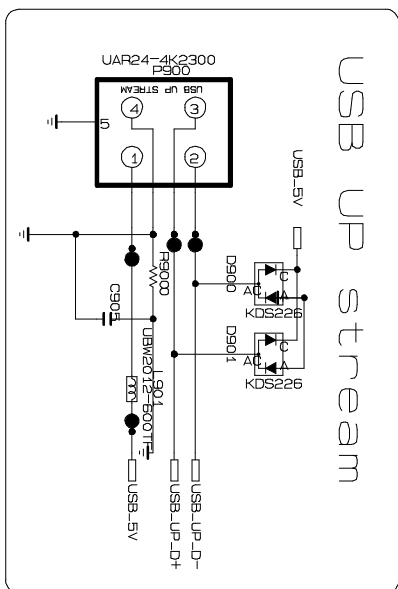
MODEL	E10T . speaker . USB	DATE	2010-07-09
BLOCK	Audio IC	SHEET	3 / 4

USB power source selection

L904	L901
BUS POWER	X
SELF POWER	0
	X

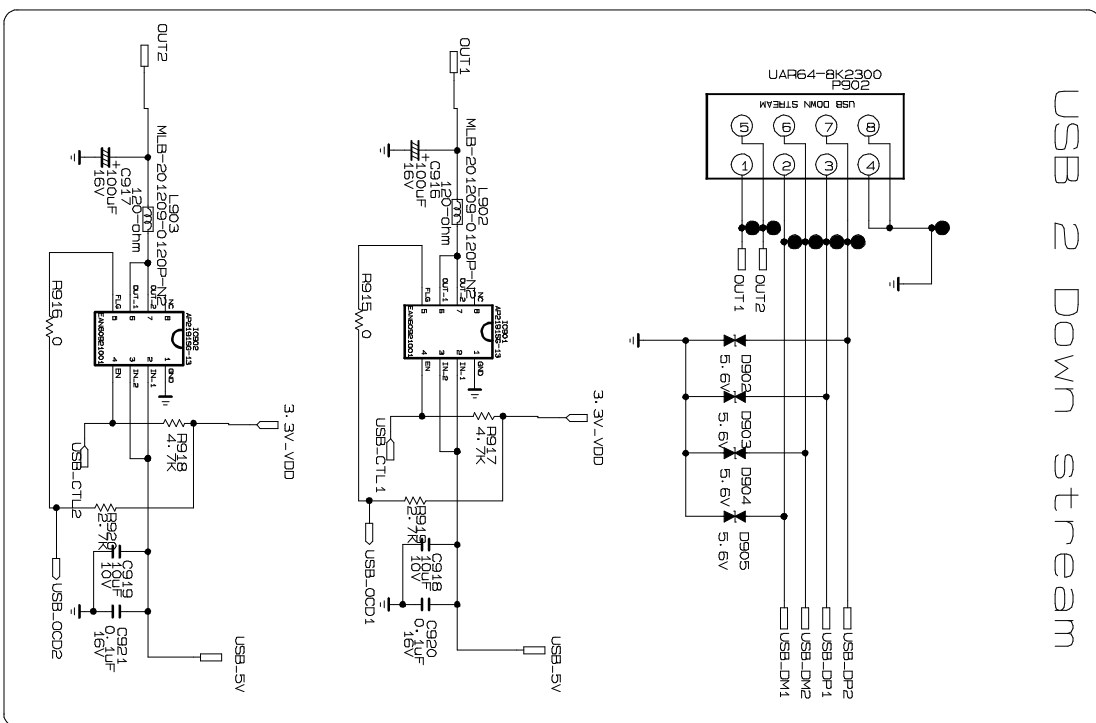


USB UP stream



\* E10PM model not apply  
\* Only for USB ready

USB 2 DOWN stream



THE  $\Delta$  SYMBOL MARK OF THIS SCHEMATIC DIAGRAM INCORPORATES SPECIAL FEATURES IMPORTANT FOR PROTECTION FROM X-RADIATION. FILIBE AND ELECTRICAL SHOCK HAZARDS. WHEN SERVICING IF IS ESSENTIAL THAT ONLY MANUFACTURES SPECIFIED PARTS BE USED FOR THE CRITICAL COMPONENTS IN THE  $\Delta$  SYMBOL MARK OF THE SCHEMATIC.

**SECRET**  
LGElectronics  
**LG ELECTRONICS**

MODEL	E10T, speaker, USB	DATE	2010-07-09
BLOCK	USB	SHEET	4 / 4