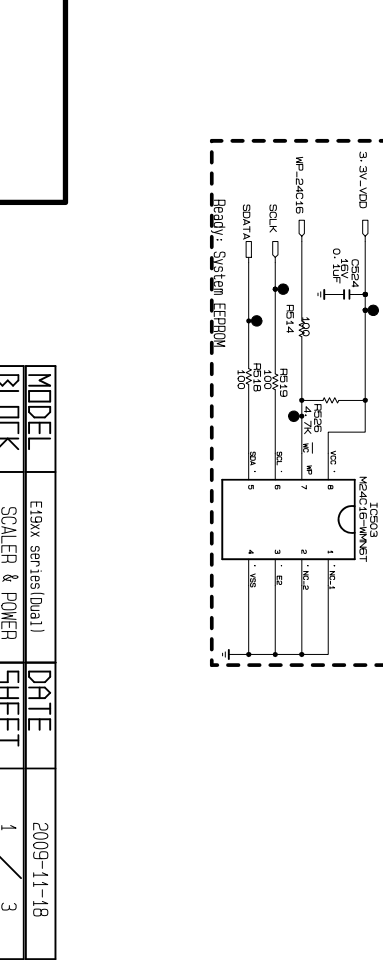
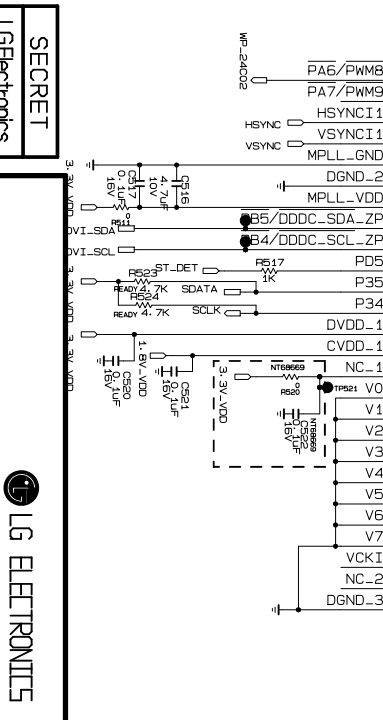
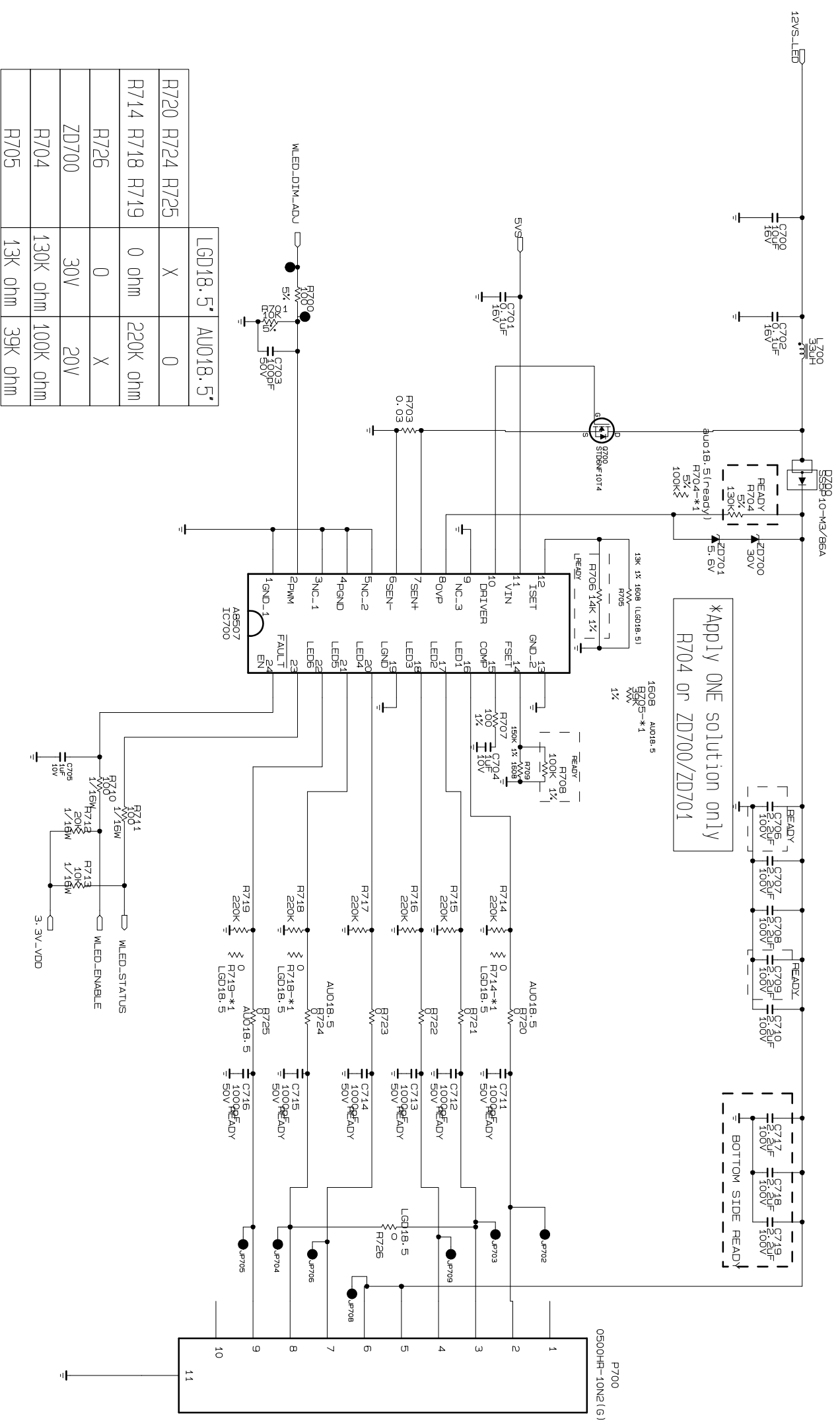


THE SYMBOL MARK OF THIS SCHEMATIC DIAGRAM INCORPORATES SPECIAL FEATURES IMPORTANT FOR PROTECTION FROM X-RADIATION. FILURE AND ELECTRICAL SHOCK HAZARDS. WHEN SERVICING IF IS ESSENTIAL THAT ONLY MANUFACTURERS SPECIFIED PARTS BE USED FOR THE CRITICAL COMPONENTS IN THE SCHEMATIC.



MODEL	E19x series (Dual)	DATE	2009-11-18
BLOCK	SCALER & POWER	SHEET	1 / 3





\*Apply ONE solution only  
R704 or ZD700/ZD701

R720	R724	R725	X	0
R714	R718	R719	0 ohm	220K ohm
R726			0	X
ZD700			30V	20V
R704			130K ohm	100K ohm
R705			13K ohm	39K ohm

THE  $\Delta$  SYMBOL MARK OF THIS SCHEMATIC DIAGRAM INCORPORATES SPECIAL FEATURES IMPORTANT FOR PROTECTION FROM X-RADIATION, FILTR AND ELECTRICAL SHOCK HAZARDS. WHEN SERVICING IF IS ESSENTIAL THAT ONLY MANUFACTURERS SPECIFIED PARTS BE USED FOR THE CRITICAL COMPONENTS IN THE  $\Delta$  SYMBOL MARK OF THE SCHEMATIC.

SECRET



MODEL	E19xx series (Dual)	DATE	2009-11-18
BLOCK	LED Driver	SHEET	3 / 3