



**APPENDIX B**  
**: ID SAMPLE LABEL & LOCATION**



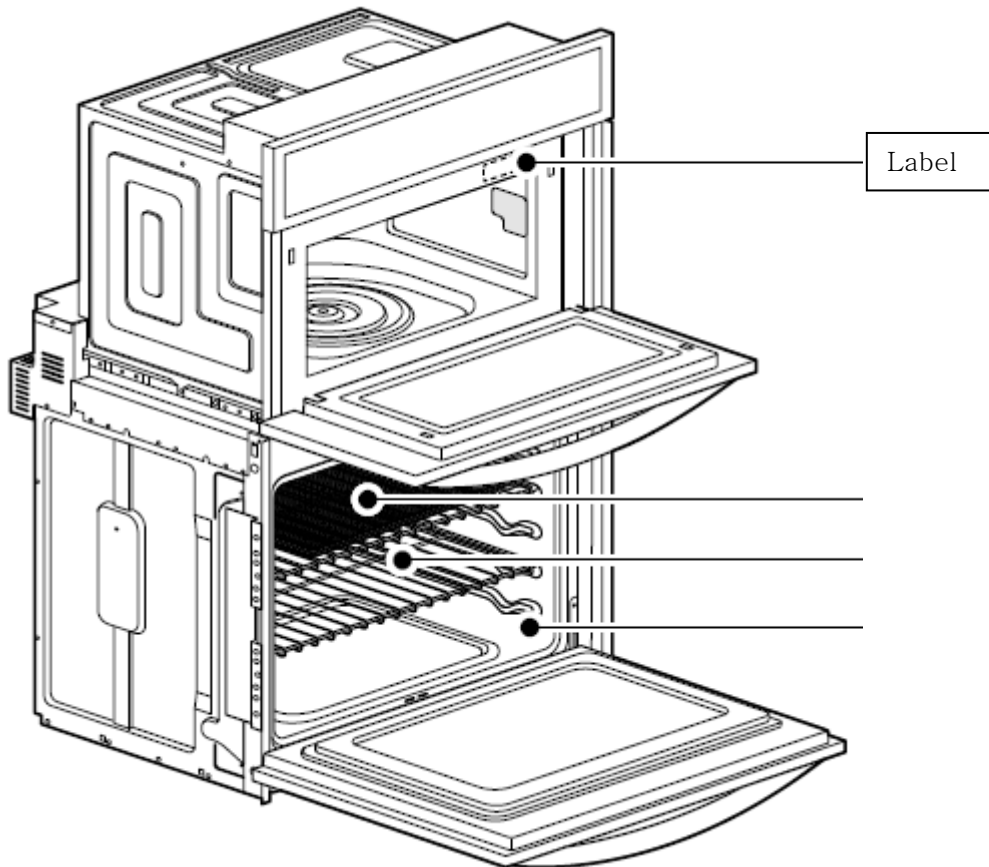
**LABELLING REQUIREMENTS**

The label shown shall be permanently affixed at a conspicuous location on the device and be readily visible to the user at the time of purchase.

■ ID Label

**LG** HOUSEHOLD ELECTRIC OVEN CONFORMS TO ANSI/UL STD. 858 FCC ID: BEJD1724NAF  
**Model : WCEP6423D /00** Contains FCC ID: BEJ-LCWB001  
 Product Code : WCEP6423D.ABDLLGA Manufactured : May 2023  
 Serial No. : **391FO3142624** 120/240 V : 5800 W 120/208 V : 4400 W  
 AC ONLY, 3WIRE-1PHASE, 60 Hz FOR USE ON 120/240 V OR 120/208 V  
 Microwave Oven Model No.: MZXZ1723D (ASSEMBLED IN CHINA) DHHS. CODE.: LT  
 COMPLIES WITH DHHS RADIATION PERFORMANCE STANDARDS 21 CFR SUBCHAPTER J.  
 Made in Korea Manufactured by LG Electronics Inc. 170, Seongsanpaechong-Ro,  
 Seongsan-Gu, Changwon-Si, Gyeongsangnam-Do, 51533, Korea ☎ 1-800-243-0000

■ ID Label Location of EUT



**EUT Type: HOUSEHOLD ELECTRIC OVEN**

**FCC ID.: BEJD1724NAF**