



APPENDIX B
: ID SAMPLE LABEL & LOCATION



LABELLING REQUIREMENTS

The label shown shall be permanently affixed at a conspicuous location on the device and be readily visible to the user at the time of purchase.

■ ID Label



HOUSEHOLD ELECTRIC OVEN
Model : WCES6428F/00

CONFORMS TO ANSI/UL STD. 858 FCC ID: BEJD1724NAD
 Contains FCC ID: BEJ-LCW009

Product Code : WCES6428F.ARSLSTD Manufactured : April 2014

Serial No. : **391FO3142624** 120/240 V : 7.8 kW 120/208 V : 6.2 kW

AC ONLY, 3WIRE-1PHASE, 60 Hz FOR USE ON 120/240 V OR 120/208 V

Microwave Oven Model No.: MZXS1728F (ASSEMBLED IN CHINA) DHHS. CODE.: LT
 COMPLIES WITH DHHS RADIATION PERFORMANCE STANDARDS 21 CFR SUBCHAPTER J.



SCAN THE QR CODE TO
 REGISTER THE PRODUCT.

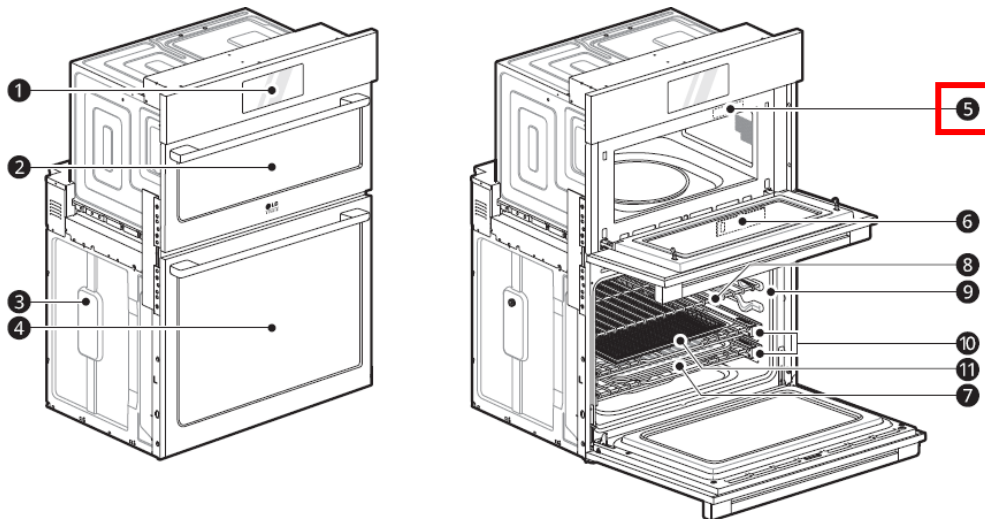
Made in Korea

Manufactured by LG Electronics Inc. 170, Seongsanpaechong-Ro,
 Seongsan-Gu, Changwon-Si, Gyeongsangnam-Do, 51533, Korea

1-800-243-0000



■ ID Label Location of EUT



①	Oven controller	⑦	Broiler pan and grid
②	Upper oven door	⑧	Standard racks
③	Spacer (2ea)	⑨	Gasket
④	Lower oven door	⑩	Gliding racks (2)
⑤	Rating label, model and serial number plate	⑪	Air fry tray
⑥	Steam feeder tank		