



OWNER'S MANUAL

LG Smart Cam Pro

Please read this manual carefully before operating your set and retain it for future reference.

Network Webcam
AN-VC22PR

www.lg.com

Copyright © 2022 LG Electronics Inc. All Rights Reserved.

Printed in Malaysia



* M F L 7 1 9 7 9 1 0 1 *

(2211-REV00)

SAFETY PRECAUTIONS

For safe use, read the following precautions and use the product as instructed.

WARNING

Indicates a case where serious injury or death may occur if the warnings are violated.

CAUTION

Indicates a case where minor injury or product damage may occur if the precautions are violated.

CAUTION

- This product is for indoor use only.

Precautions for Moving the Product

WARNING

- Make sure the product is turned off, unplugged, and all cables have been removed before the product is moved.
 - You may be electrocuted or the product can be damaged.
- Do not drop or cause an impact on the product.
 - Product can be damaged.

Precautions for Use

CAUTION

- If you install the product in a place that does not meet the recommended conditions, this may cause serious damage to the life cycle, and appearance. Please do not install the product in places such as where there is an abundance of fine dust or oil mist, chemical substances are used, exposed to direct sunlight, the temperature is very high or low, the humidity is very high.

- Do not take the product apart arbitrarily. If you suspect a product failure, contact your dealer to have the product repaired. If the product is taken apart arbitrarily, it will not be covered by the warranty.
- Do not apply excessive force to the button, or use a pointed tool to press it. Doing so may damage the button.
- If the product plays an unknown sound or emits a strange smell or smoke, disconnect the power cord immediately and contact the service center.
- Do not moving when the product is in use.
- Do not allow an impact shock, any objects to fall into the product.
- Do not press strongly upon the button or lens with a hand or a sharp object such as a nail, pencil, or pen, or make a scratch on it. It may cause damage to product.
- If a camera noise occurs, It can be improved by adjusting the picture mode of the connected display.
- When using the product as a security device, please connect it to the UPS.
- Recommended HDMI cable types (3 m (9.84 ft) or less)
 - Ultra High Speed HDMI[®]/TM cable
- How to use ferrite core
 - Use the ferrite core to reduce the electromagnetic interference in the power cord. wind the power cord on the ferrite core once.

[Wall side]

[Device side]



Risk Group 1	
	WARNING IR emitted from this Product. Do not stare at operating lamp.
<i>Product tested against IEC62471</i>	

Precautions for Cleaning the Product

CAUTION

- When cleaning the product, unplug the power cord and wipe it gently with a soft cloth. Do not spray water or other liquids directly on the product. Especially, do not clean your product with chemicals including glass cleaner, any type of air freshener, insecticide, lubricants, wax (car, industrial), abrasive, thinner, benzene, alcohol, etc., which can damage the product or its panel.
 - This may result in fire, electric shock or product damage (deformation, corrosion or breakage).

Precautions for Storage

CAUTION

- When not in use, turn off the power of the device before storing.
- If not in use for a prolonged period of time, completely disconnect the adapter and store it.
- Avoid direct light (sunlight, electric light, etc.), and store it in a dry location at room temperature.
- Store away from places vulnerable to fire, such as areas where chemicals and gas are generated.

Disposal Method

CAUTION

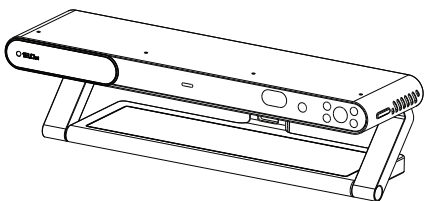
- Do not dispose of the product arbitrarily, but follow your local disposal procedures.

BROWSING OUR PRODUCTS

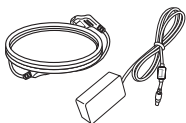
Due to the version changes of the product after this user manual was published, the illustrations and screenshots in the manual may differ from the screens of the actual product and software.

The information provided in this user manual is subject to change without notice.

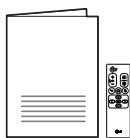
Product Composition



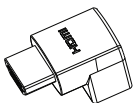
LG Smart Cam Pro



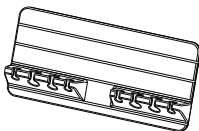
Power Cord / Adapter



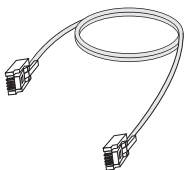
Owner's Manual /
Remote Control



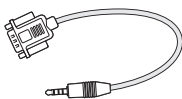
HDMI Angle Gender



Cable Management



MPI cable



RS-232C cable



LAN cable

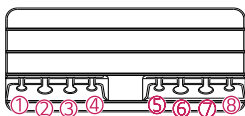


HDMI cable



Ferrite core

Recommendations when using Cable Management



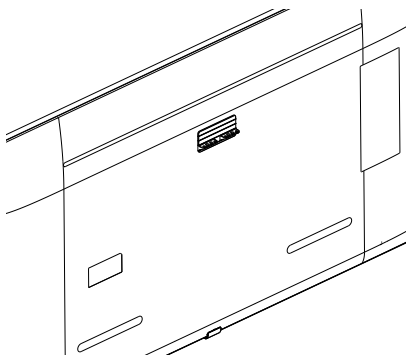
①	Adapter
②, ⑦	HDMI
③	LAN
④, ⑤	RS-232C
⑥	MPI
⑧	USB C-type

Attaching the Cable Management

- 1 Remove the protection paper from the adhesive side of the tape and attach to the back of the Cable Management as shown

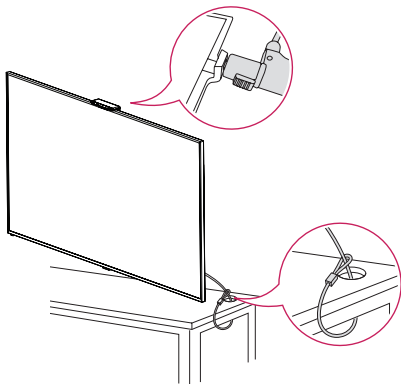


- 2 After removing the other side protection paper from the tape, stick Cable Management to the TV.



Kensington Lock

Connect the Kensington security system cable between the monitor and product.

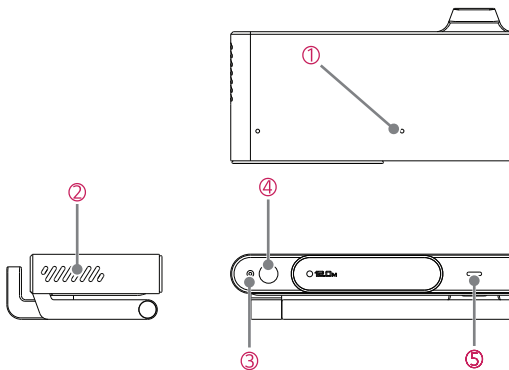


! NOTE

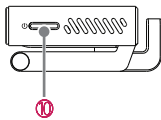
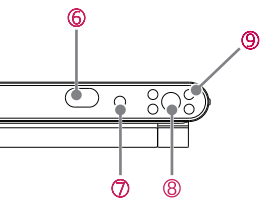
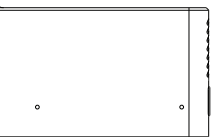
- The Kensington lock device is an optional specification.
- This is a general illustration of installation and may look different from the product held by the customer.

Name of Individual Parts

Images may differ depending on the model.

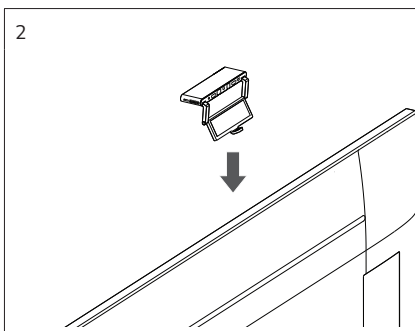
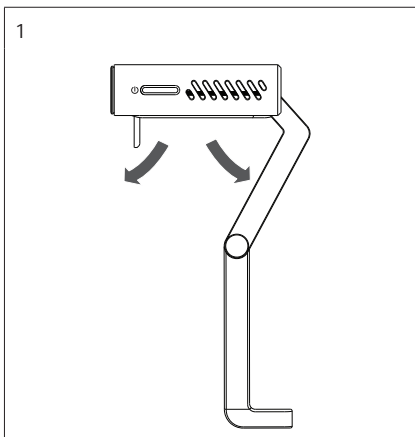


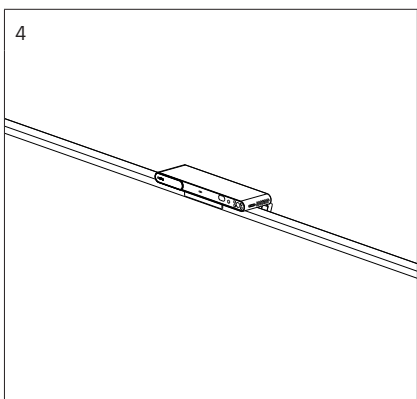
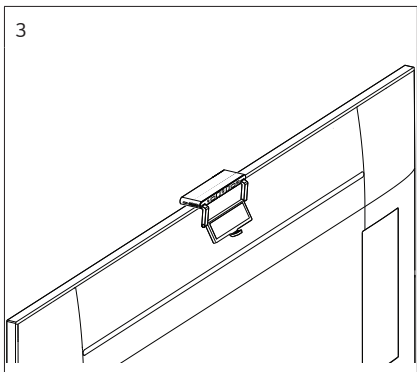
- ① Microphone (x4)
- ② Speaker (1.3W)
* For playing call or alarm tones.
- ③ LED
- ④ 12MP wide RGB camera
- ⑤ Status LED (3 color LED)
- ⑥ IR Remote
- ⑦ ALS Sensor
- ⑧ 12MP NV Camera
- ⑨ IR LED (x4)
- ⑩ Button



INSTALLING THE PRODUCT

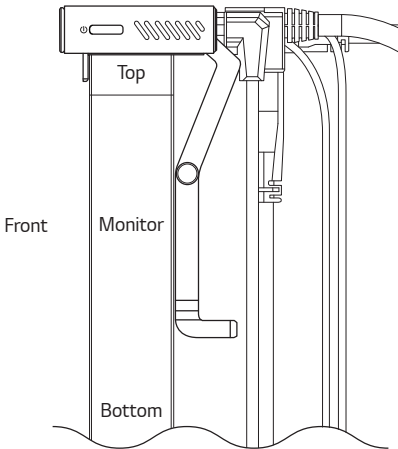
Set Holding





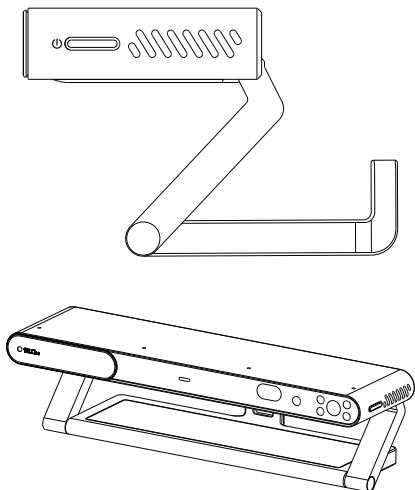
On The Monitor

- Right angle gender applied structure
 - Make sure the product does not interfere to the other cable when installing it.
- 1 Unfold the hinge and mount and secure it to the top of the set.



Stand

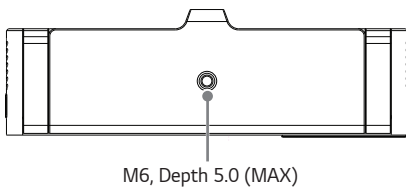
- Floor mounting with hinged structure stand



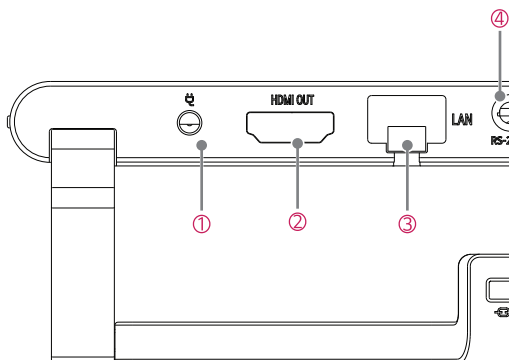
Accessory Connection


- When fixing with accessories, use the Bottom Tap Hole.
- Tap Hole: M6, Depth 5.0 (Max)

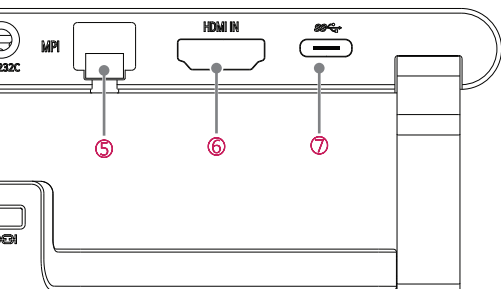
Bottom Side



CONNECTING



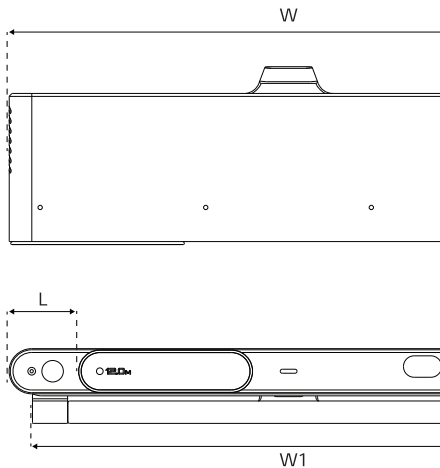
Name	Connections
① DC IN	Power supply by connecting adapter.
② HDMI OUT	Connect to TV.
③ LAN	The Ethernet communication interface.
④ RS-232C	
⑤ MPI	
⑥ HDMI IN	Connect to TV STB.
⑦  (USB Type-C 3.1)	For connecting USB devices for use. * Compatible model - USB Camera: AVer MD330U - USB Speaker/MIC: JABRA SP



Connection and Communication Method
Computer DC PLUG.
Indicator LED using TCP/IP does not light up.
Use in Pro:Centric Application.
PEAK 710

PRODUCT SPECIFICATION

The product specifications below are subject to change without



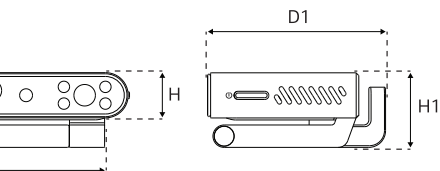
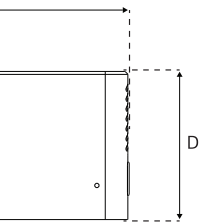
Model	W	W1	D
LG Smart Cam Pro (AN-VC22PR)	167 (6.5)	153.1 (6.0)	44.3 (1.7)

Operating Temperature
-5 °C to 45 °C (23 °F to 113 °F)
* Recommendation 25 °C (77 °F)

Hardware	
Processor	Qualcomm QCS7230
RAM	6 GB
SSD	64 GB
Camera	Built-in 12MP (F2.2 / 120° / 1.4µm)
Speaker	0
WiFi	0
Ethernet	0
USB	Type-C 3.1
Power (Rated Voltage)	12 V $\overline{=}$ 2.5 A
Software	
OS	WebOS OSE

IS

Notice in order to improve product functions.



* Unit: mm (inches)

D1	H	H1	L	Weight
52.3 (2.0)	13.5 (0.5)	22.3 (0.8)	20 (0.7)	330 g (0.7 lbs)

Product installation height
2 m (78.7 inches) or less

W

(m) (4K Camera, 4x Digital Zoom), Night Vision

W

Wireless Specifications
Wireless LAN (IEEE 802.11b/g/n)
Frequency Range (MHz)
2400 ~ 2483.5
Wireless LAN (IEEE 802.11a/n/ac)
Frequency Range (MHz)
5180 ~ 5825

LICENSE

Supported licenses may differ by model. For more information on the license, please visit www.lg.com.

HDMI™

HIGH-DEFINITION MULTIMEDIA INTERFACE

REGULATORY



WARNING: Cancer and Reproductive Harm
- www.p65warnings.ca.gov.

Risk Group 1



**WARNING IR emitted from this Product.
Do not stare at operating lamp.**

Product tested against IEC62471

FEDERAL COMMUNICATION COMMISSION INTERFERENCE STATEMENT

This device complies with Part 15 of the FCC Rules. Operation is subject to the following two conditions:

- (1) This device may not cause harmful interference, and
- (2) this device must accept any interference received, including interference that may cause undesired operation.

This equipment has been tested and found to comply with the limits for a Class B digital device, pursuant to Part 15 of the FCC Rules. These limits are designed to provide reasonable protection against harmful interference in a residential installation. This equipment generates, uses and can radiate radio frequency energy and, if not installed and used in accordance with the instructions, may cause harmful interference to radio communications. However, there is no guarantee that interference will not occur in a particular installation. If this equipment does cause harmful interference to radio or television reception, which can be determined by turning the equipment off and on, the user is encouraged to try to correct the interference by one of the following measures:

- Reorient or relocate the receiving antenna.
- Increase the separation between the equipment and receiver.
- Connect the equipment into an outlet on a circuit different from that to which the receiver is connected.
- Consult the dealer or an experienced radio/TV technician for help.

FCC Caution: Any changes or modifications not expressly approved by the party responsible for compliance could void the user's authority to operate this equipment. This transmitter must not be co-located or operating in conjunction with any other antenna or transmitter.

Radiation Exposure Statement:

This equipment complies with FCC radiation exposure limits set forth for an uncontrolled environment. This equipment should be installed and operated with minimum distance 20 cm between the radiator & your body.

Industry Canada

This device contains licence-exempt transmitter(s)/receiver(s) that comply with Innovation, Science and Economic Development Canada's licence-exempt RSS(s). Operation is subject to the following two conditions:

1. This device may not cause interference.
2. This device must accept any interference, including interference that may cause undesired operation of the device.

Canada, avis d'Industrie Canada (IC)

L'émetteur/récepteur exempt de licence contenu dans le présent appareil est conforme aux CNR d'Innovation, Sciences et Développement économique Canada applicables aux appareils radio exempts de licence. L'exploitation est autorisée aux deux conditions suivantes :

1. L'appareil ne doit pas produire de brouillage;
2. L'appareil doit accepter tout brouillage radioélectrique subi, même si le brouillage est susceptible d'en compromettre le fonctionnement.



The model and serial number of the product are located on the back and on one side of the product. Record them below in case you ever need service.

MODEL

SERIAL NO.
