

APPROVAL SPECIFICATION

Product : WIFI Antenna

Model Name : [HLDS] AN-VC22PR (WIFI)

Date : 2022. 08. 16



Ace Antenna Corp.

237, Namdongseo-ro, Namdong-gu, Incheon, 21634, Korea

TEL 82-32-837-8130 , FAX : 82-32-837-8180

Table of Contents

	Page
1. Manufacturer -----	3
2. Model Name -----	3
3. Antenna Type -----	3
4. Electrical Performance Data -----	4
5. Mechanical Drawing -----	6

1. Manufacturer

- ACE Antenna

- ACE Antenna Part Number : YCB-00008

2. Model Name

- [HLDS] AN-VC22PR (WIFI)

3. Antenna Type

- SLOT (Press) Antenna

4. Electrical Performance Data

4.1 Specification Sheet

4.2 WIFI ANT

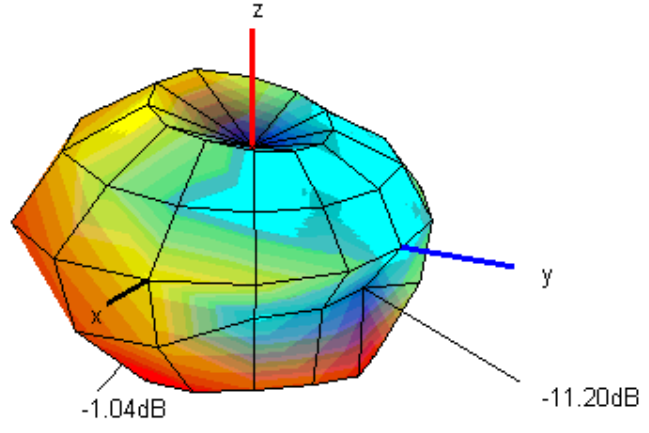
Electronic Specification (WIFI 0)						
BAND	2.4 GHz			5.0 GHz		
Frequency (MHz)	2400	2440	2480	5150	5470	5800
3D Average Gain (dB)	-4.88	-4.58	-4.85	-1.83	-2.28	-2.21
3D Peak Gain (dBi)	-1.04	-1.21	-0.71	2.48	2.78	2.32

Electronic Specification (WIFI 1)						
BAND	2.4 GHz			5.0 GHz		
Frequency (MHz)	2400	2440	2480	5150	5470	5800
3D Average Gain (dB)	-5.27	-4.68	-4.90	-3.10	-3.17	-3.13
3D Peak Gain (dBi)	0.54	1.11	0.73	0.71	0.51	1.02

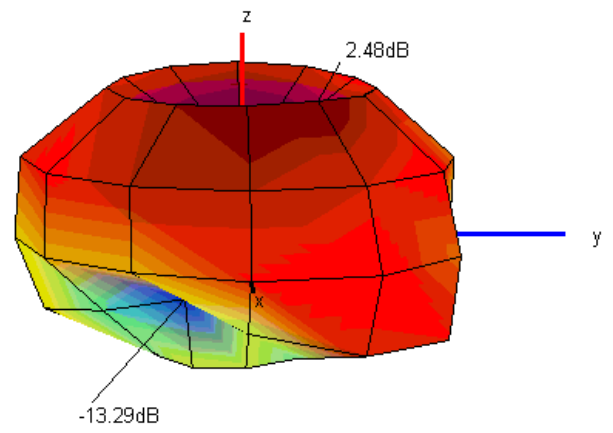
4.3 3D Radiation Pattern

- **WIFI 0**

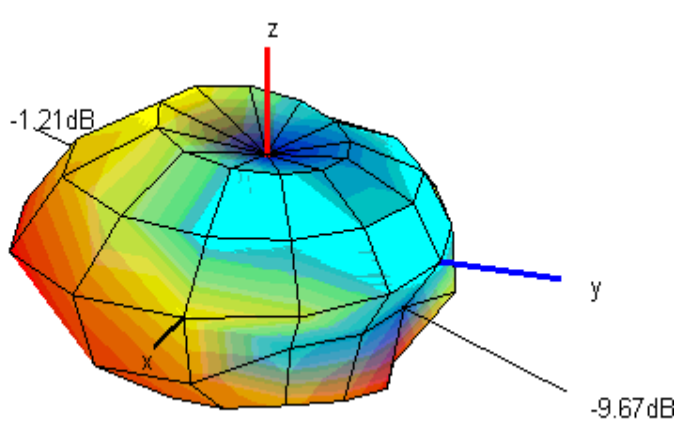
<2400 MHz>



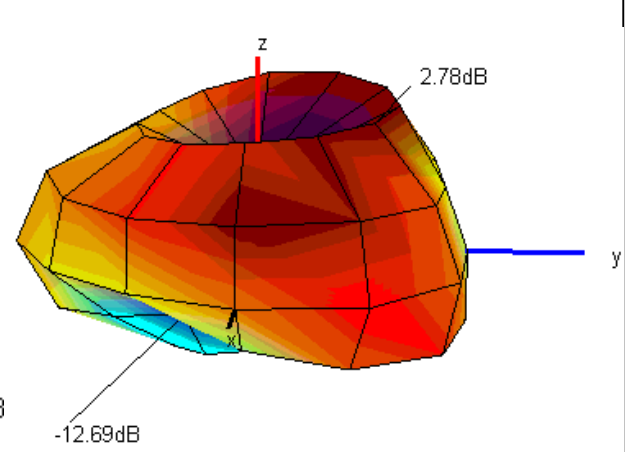
<5150 MHz>



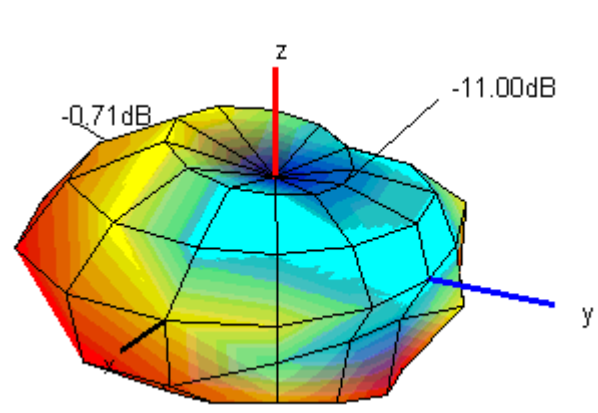
<2440 MHz>



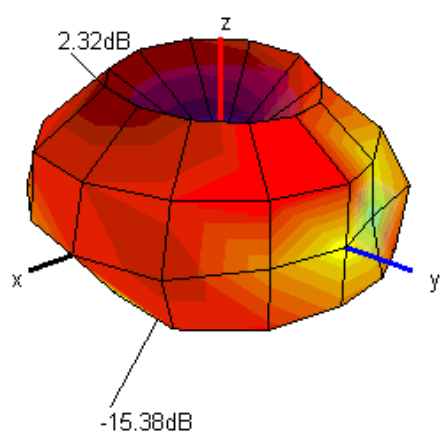
<5470 MHz>



<2480 MHz>



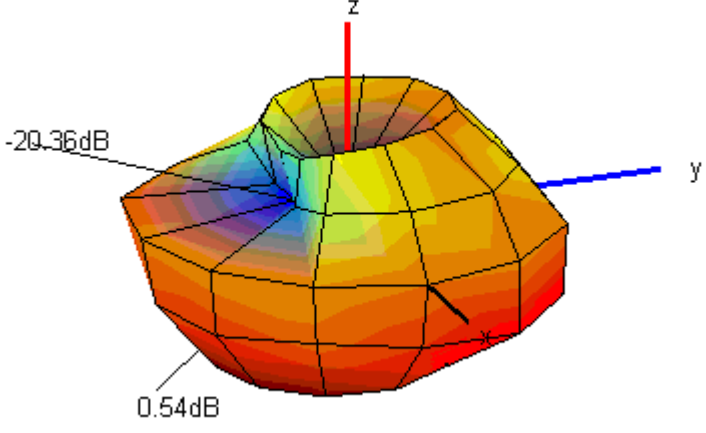
<5800 MHz>



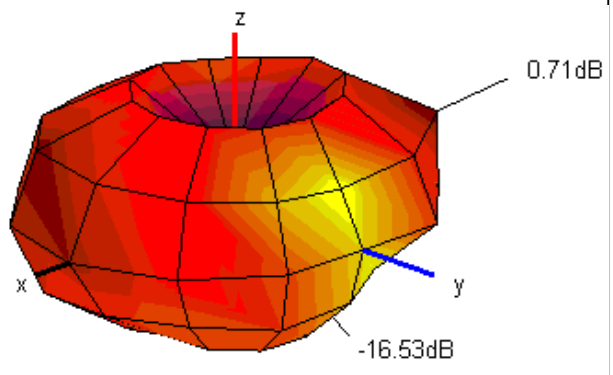
4.3 3D Radiation Pattern

- **WIFI 1**

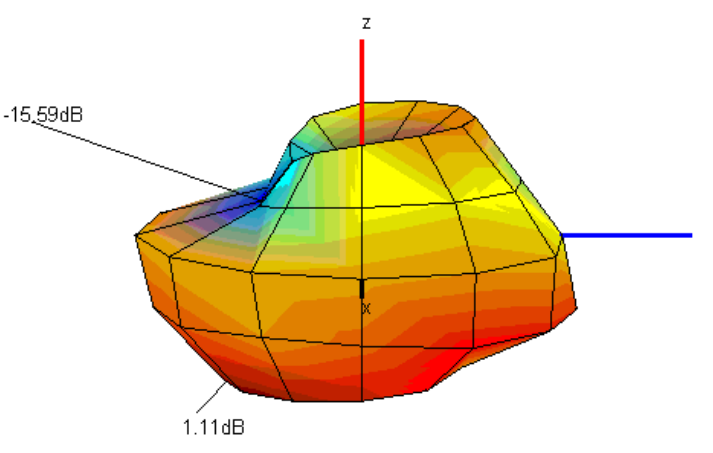
<2400 MHz>



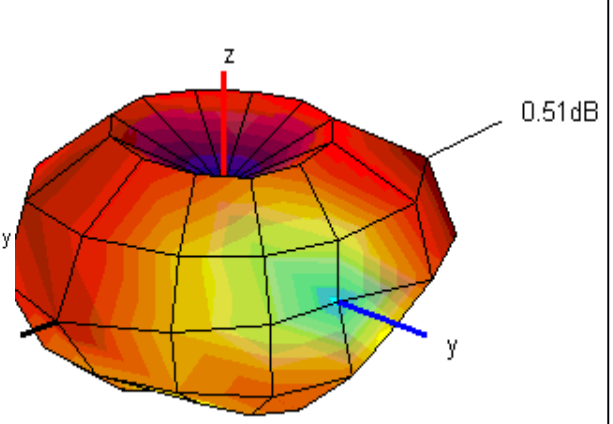
<5150 MHz>



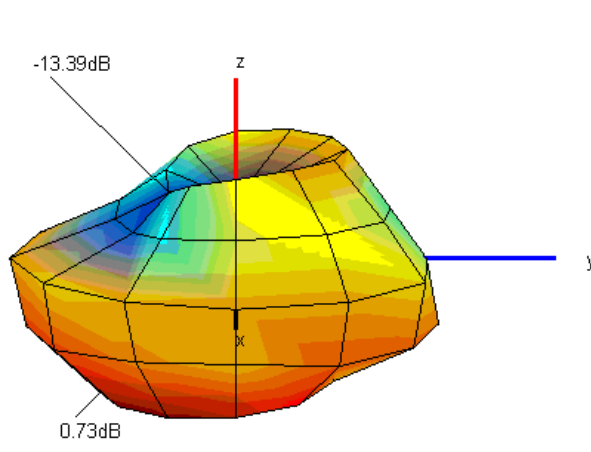
<2440 MHz>



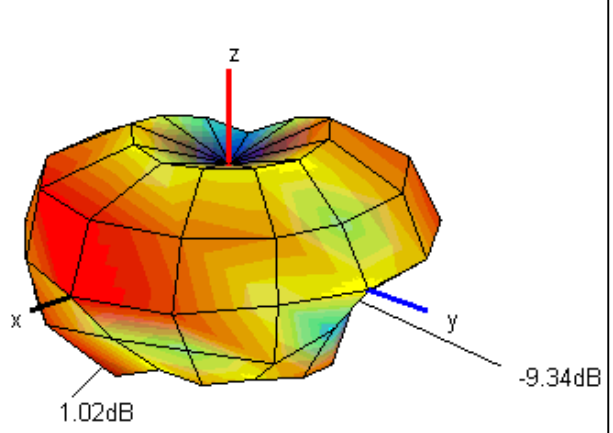
<5470 MHz>



<2480 MHz>



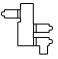
<5800 MHz>



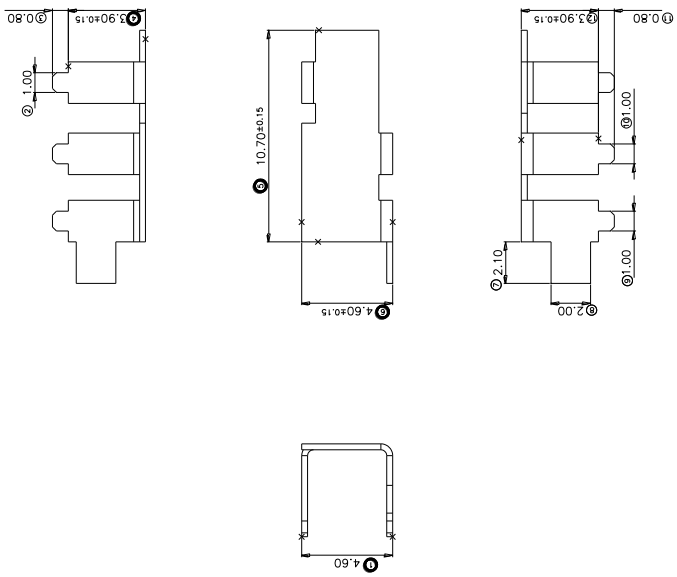
5. Mechanical Drawing

ACF-70202-02.A

NO.	CHANGE CONTENTS	REVISION	CHANGE CAUSE



참고용 전개도
S/C : 1/1



NO.	PART NO.	DESCRIPTION	Q'TY	MATERIAL	REMARKS	REV
	SUS304 0.3t	DRAW DESIGN CHECK APPRO.		WIFI SLOT		
	Ni Plated	YG-SONG		PART NO.	YCB-00008	
	Decimal / Angle	22.08.16		DWG NO.	YCB-00008	
	SCALE 5/1	MODEL [HDS] AN-YC22PR (WIFI)				
	REVISION A	CP-NAME [HDS] AN-YC22PR < >				

NOTE.

1. 외박공차 : ±0.10
2. 두께 : 0.13mm
3. 굵은 표시(O) 부위는 중요 치수 관리 할 것
4. 표기 표시 없는 치수는 3D DATA 참조
5. 세팅 : SUS304 (0.3t)
6. Ni Plated : 3~7um
7. PCB와의 조립에 이상이 없을 것.

ace antenna A.3