

Test Report for FCC

FCC ID:BEJ32LC7DUK

Report Number		ESTF150708-020			
Applicant	Company name	LG Electronics USA			
	Address	1000 Sylvan Avenue Englewood Cliffs, NJ 07632			
	Telephone	847-941-8373			
Product	Product name	LCD TV/MONITOR			
	Model name	32LC7D-UK	Manufacturer	LG Electronics Inc.	
	Serial number	NONE	Country of origin	KOREA	
Test date	27-Aug-07		Date of issue	28-Aug-07	
Testing location	ESTECH. Co., Ltd. 97-1 Hoiuk-Ri Majang-Myon, Icheon-city, KyungKi-Do, Korea				
Standard	FCC PART 15 2006 , ANSI C 63.4 2003 , ICES-003				
Test item	Conducted Emission	Class A	Class B	Test result	OK
	Radiated Emission	Class A	Class B	Test result	OK
Measurement facility registration number		94696			
Tested by	Engineer M.J.Song		(Signature)		
Reviewed by	Manager Engineer J.M.Yang		(Signature)		
Abbreviation	OK, Pass = Passed, Fail = Failed, N/A = not applicable				
<p>* Note</p> <ul style="list-style-type: none"> - Basic Model : 32LC7D-UK - Additional Models : 32LC4D-UJ, 32LC7DC-UK - Basic Model and Addition Models are same product,only model name is different. - This test report is not permitted to copy partly without our permission - This test result is dependent on only equipment to be used - This test result based on a single evaluation of one sample of the above mentioned 					

Contents

1. Laboratory Information	3
2. Description of EUT	4
3. Test Standards	5
4. Measurement condition	6
5. Measurement of radiated emission	8
5.1 Measurement equipment	8
5.2 Environmental conditions	8
5.3 Test data	9
5.4 Test data	10
6. Measurement of conducted emission	11
6.1 Measurement equipment	11
6.2 Environmental conditions	11
6.3 Test data	12
7. Photographs of test setup	13
8. Photographs of EUT	15

Appendix 1. Spectral diagram



1. Laboratory Information

1.1 General

This EUT (Equipment Under Test) has been shown to be capable of compliance with the applicable technical standards and is tested in accordance with the measurement procedures as indicated in this report. ESTECH Lab attests to accuracy of test data. All measurement reported herein were performed by ESTECH Co., Ltd.

ESTECH Lab assume full responsibility for the completeness of these measurements and vouch for the qualifications of all persons taking them.

1.2 Test Lab.

Corporation Name : ESTECH Co. Ltd

Head Office : Rm 1015, World Venture Center II, 426-5, Gasan-dong, Geumcheon-gu, Seoul, Korea
(Safety & Telecom. Test Lab)

EMC Test Lab : 58-1 Osan-Ri, GaNam-Myon, YeoJoo-Gun, KyungKi-Do, Korea
97-1 Hoiuk-Ri Majang-Myon, Icheon-city, KyungKi-Do, Korea

1.3 Official Qualification(s)

MIC : Granted Accreditation from Ministry of Information & Communication for EMC, Safety and Telecommunication

KOLAS : Accredited Lab By Korea Laboratory Accreditation Schema base on CENELEC requirements

FCC : Filed Laboratory at Federal Communications Commission

VCCI : Granted Accreditation from Voluntary Control Council for Interference from ITE



ESTECH Co., Ltd.

Rm 1015, World Venture Center 11,
426-5 Gasan-dong, Guncheon-gu,
Seoul, 158-803, Korea



**Electromagnetic
Interference
Test Report**

2. Description of EUT

2.1 Summary of Equipment Under Test

Product Name : LCD TV/MONITOR
 Model Number : 32LC7D-UK
 Serial Number : NONE
 Manufacturer : LG Electronics Inc.
 Country of origin : KOREA
 Rating : INPUT:AC100-240V ~ 50 /60Hz
 Receipt Date : 2007-08-27
 X-tal lists : 24MHz, 54MHz, 4MHz

2.2 General descriptions of EUT

MODELS		32LC7D (32LC7D-UK)	37LC7D (37LC7D-UK)	42LC7D (42LC7D-UK)	Resolution	Horizontal Frequency(KHz)	Vertical Frequency(Hz)
Dimensions (Width x Height x Depth)	Including stand	31.8 x 23.9x 9.8 inches 806.6 x 606.5 x 249.0mm	36.5 x 27.3 x 11.0 inches 927.0 x 692.8 x 280.5 mm	40.7 x 29.5 x 11.3 inches 1033.4 x 750.0 x 287.6 mm	640x350	31.469	70.08
	Excluding stand	31.8 x 21.7 x 3.1 inches 806.6 x 552.3 x 79.0 mm	36.5 x 24.8 x 3.5 inches 927.0 x 630.0 x 88.0 mm	40.7 x 27.0 x 3.5 inches 1033.4 x 686.8 x 88.5 mm	720x400	31.469	70.08
Weight	including stand	30.2 pounds / 13.7 kg	44.1 pounds / 20.0 kg	54.9 pounds / 24.9 kg	640x480	31.469	59.94
	excluding stand	24.7 pounds / 11.2 kg	35.3 pounds / 16.0 kg	45.0 pounds / 20.4 kg	800x600	37.879	60.31
Power requirement		AC100-240V ~ 50/60Hz			1024x768	48.363	60.00
Television System		NTSC-M, ATSC, 64 & 256 QAM			1280x768	47.776	59.87
Program Coverage		VHF 2-13, UHF 14-69, CATV 1-135, DTV 2-69, CADTV 1-135			1360x768	47.720	59.799
External Antenna Impedance		75 ohm			1366x768	47.130	59.65
Environment condition	Operating Temperature	32 ~ 104°F (0 ~ 40°C)					
	Operating Humidity	Less than 80%					
Environment condition	Storage Temperature	-4 ~ 140°F (-20 ~ 60°C)					
	Storage Humidity	Less than 85%					

3. Test Standards

Test Standard : FCC PART 15 (2006) & ICES-003

This Standard sets out the regulations under which an intentional, unintentional, or incidental radiator may be operated without an individual license. It also contains the technical specifications, administrative requirements and other conditions relating to the marketing of Part 15 devices.

Test Method : ANSI C 63.4 (2003)

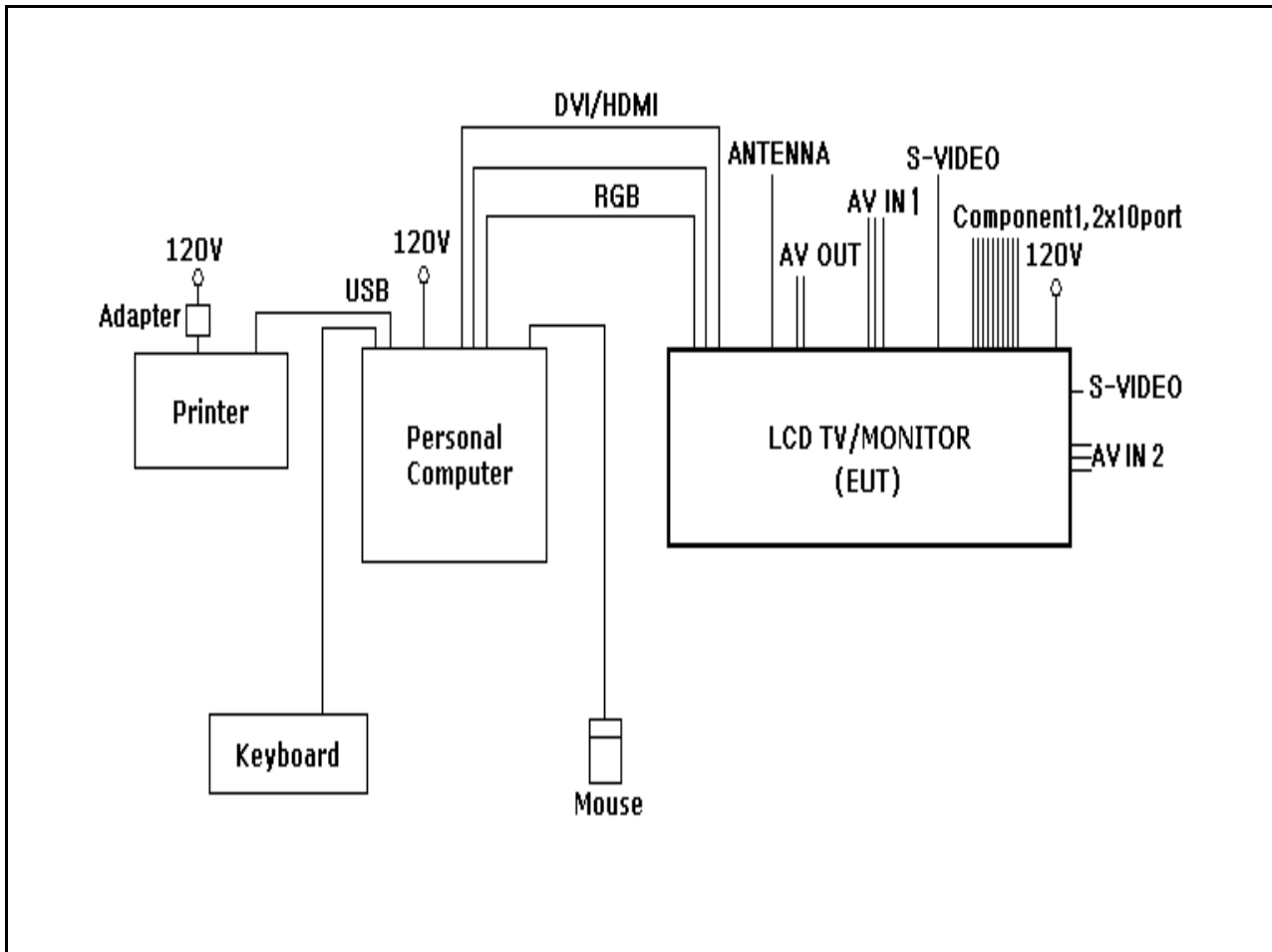
This standard sets forth uniform methods of measurement of radio-frequency (RF) signals and noise emitted from both unintentional and intentional emitters of RF energy in the frequency range 9 kHz to 40 GHz. Methods for the measurement of radiated and AC power-line conducted radio noise are covered and may be applied to any such equipment unless otherwise specified by individual equipment requirements. These methods cover measurement of certain devices that deliberately radiate energy, such as intentional emitters, but does not cover licensed transmitters. This standard is not intended for certification/approval of avionic equipment or for industrial, scientific, and medical (ISM) equipment. These methods apply to the measurement of individual units or systems comprised of multiple units.

4. Measurement Condition

4.1 EUT Operation.

- * The EUT was in the following operation mode during all testing
- * The operational conditions of the EUT was determined by the manufacturer according to the typical use of the EUT with respect to the expected highest level of emission
- * After setting as test arrangement diagram, we tested the EUT under continuous displaying "H" character and playing Audio out /Video

4.2 Configuration and Peripherals



4.3 EUT and Support equipment

Equipment Name	Model Name	S/N	Manufacturer	Remark (FCC ID)
LCD TV/MONITOR	32LC7D-UK	NONE	LG Electronics Inc.	EUT
Personal Computer	DCSM	8JRFJ1S	Dell Asia Pacific sdn	-
Printer	MJC-5750	NA34BFFP313402V	SAMSUNG ELECTRONICS (SHAN DONG)DIGITAL PRINTING Co.,LTD.	-
Keyboard	SEM-DT35US	31001238	Donguan Samsung Electro Mecanic Co., Ltd.	-
Mouse	Wheel Mouse Optical	3602C693	Microsoft	-
Adapter	PA8040WB	070301658	Bestec Electronics (Dongguan)Co., Ltd.	-
				-
				-

4.4 Cable Connecting

Start Equipment		End Equipment		Cable Standard		Remark
Name	I/O port	Name	I/O port	Length	Shielded	
LCD TV/MONITOR	RGB	Personal Computer	RGB	2	Y	
LCD TV/MONITOR	DVI	Personal Computer	DVI	2	Y	
LCD TV/MONITOR	Line-in	Personal Computer	Line-out	2	N	
LCD TV/MONITOR	AV IN1 x 3port	-	-	2	N	
LCD TV/MONITOR	AV IN2 x 3port	-	-	2	N	
LCD TV/MONITOR	AV OUT x 2port	-	-	2	N	
LCD TV/MONITOR	Component1 X 5port	-	-	2	N	
LCD TV/MONITOR	Component1 X 5port	-	-	2	N	
LCD TV/MONITOR	ANT	-	-	2	Y	
LCD TV/MONITOR	S-VIDEO	-	-	2	Y	
LCD TV/MONITOR	S-VIDEO	-	-	2	Y	
Personal Computer	USB	Keyboard	USB	2	Y	
Personal Computer	USB	Mouse	USB	2	Y	
Personal Computer	USB	Printer	USB	2	Y	
Printer	Power	Adapter	-	2	N	

5. Measurement of radiated disturbance

Above 30 MHz Electric Field strength was measured in accordance with FCC Part 15 (2006) & ICES-003. The test setup was made according to ANSI C 63.4 (2003) on an open test site, which allows a 3m distance measurement. The EUT was placed in the center of wooden turntable. The height of this table was 0.8m. The measurement was conducted with both horizontal and vertical antenna polarization. The turntable has fully rotated. For further description of the configuration refer to the picture of the test setup.

5.1 Measurement equipments

Equipment Name	Type	Manufacturer	Serial No.	Next Calibration date
TEST Receive	ESVS10	Rohde & Schwarz	838562/002	2008. 1. 23
Spectrum Analyzer	R3261C	ADVANTEST	61720116	2008. 4. 20
LogBicon Antenna	VULB 9160	Schwarzbeck	3142	2008. 5. 07
Amplifier	8447F	HP	2805A02972	2008. 6. 26
Turn Table	2087	EMCO	2129	-
Antenna Mast	2070-01	EMCO	9702-203	-
ANT Mast Controller	2090	EMCO	1535	-
Turn Table Controller	2090	EMCO	1535	-

5.2 Environmental Condition

Test Place : Open site(3m)
 Temperature (°C) : 22
 Humidity (%) : 66 %

5.4 Test data

Test Date : 27-Aug-07

Measurement Distance : 3 m

Frequency (MHz)	Reading (dB μ V)	Position (V/H)	Height (m)	Correction Factor		Result Value		
				Ant Factor (dB)	Cable (dB)	Limit (dB μ V/m)	Result (dB μ V/m)	Margin (dB)
67.91	24.00	V	1.0	11.55	1.3	40.0	36.85	-3.15
86.78	24.40	V	1.0	8.90	1.4	40.0	34.74	-5.26
111.08	25.20	V	1.0	11.17	1.6	43.5	38.01	-5.49
135.77	20.10	H	1.4	13.05	1.8	43.5	34.96	-8.54
148.21	19.40	H	2.0	13.80	1.8	43.5	35.01	-8.49
197.50	19.00	V	1.0	10.56	2.2	43.5	31.77	-11.73
222.62	25.40	H	1.3	10.88	2.4	46.0	38.70	-7.30
240.73	15.40	H	1.2	11.73	2.5	46.0	29.65	-16.35
283.90	16.20	H	1.1	12.88	2.8	46.0	31.91	-14.09
320.92	13.20	H	1.0	13.67	3.1	46.0	29.98	-16.02
400.01	13.60	V	1.0	15.32	3.6	46.0	32.50	-13.50
509.43	8.30	H	1.0	17.19	4.3	46.0	29.82	-16.18
624.23	6.00	H	1.0	19.26	4.9	46.0	30.19	-15.81
800.00	10.10	H	1.0	21.76	5.9	46.0	37.76	-8.24
1000.00	7.20	V	1.6	23.44	7.0	54.0	37.64	-16.36
Remark	H : Horizontal, V : Vertical TEST MODE ; Resolution 1360 *768 (60Hz) at DVI mode (Worse Case) *CL = Cable Loss - Amplifier Gain (In case of above 1000Mhz) *CL = Cable Loss (In case of below 1000Mhz) *The resolution bandwidth and video bandwidth of test receiver/spectrum analyzer is 120KHz for Quasi-peak detection at frequency below 1GHz. *After connect with ferrite cores to RGB cable, tested radiated emission.							

6. Measurement of conducted disturbance

The continuous disturbance voltage of AC Mains in the frequency from 0.15 to 30 MHz was measured in accordance to FCC Part 15 (2006) & ICES-003. The test setup was made according to ANSI C 63.4 (2003) in a shielded. The EUT was placed on a non-conductive table at least 80 cm above the ground plane. A grounded vertical reference plane was positioned in a distance of 40 cm from the EUT. The distance from the EUT to other metal surfaces was at least 0.8 m. The EUT was only earthed by its power cord through the line impedance stabilizing network. The power cord has been bundled to a length of 1.0 m. The test receiver with Quasi Peak detector complies with CISPR 16.

6.1 Measurement equipments

Equipment Name	Type	Manufacturer	Serial No.	Next Calibration date
LISN	NNLA8120A	Schwarzbeck	8120161	2008. 2. 28
LISN	ESH3-Z5	Schwarzbeck	838979/010	2008. 2. 28
TEST Receive	ESP17	Rohde & Schwarz	100185	2007. 8. 24
Pulse Limiter	ESH3Z2	Rohde & Schwarz	NONE	-

6.2 Environmental Condition

Test Place : Shield Room
 Temperature (°C) : 24
 Humidity (%) : 48 %



ESTECH Co., Ltd.

Rm 1015, World Venture Center II,
426-5 Gasan-dong, Guncheon-gu,
Seoul, 158-803, Korea



**Electromagnetic
Interference
Test Report**

6.3 Test data

Test Date : 27-Aug-07

Frequency (MHz)	Correction Factor		Line (H/N)	Quasi-peak Value			Average Value		
	Lisn (dB)	Cable (dB)		Limit (dB μ V)	Reading (dB μ V)	Result (dB μ V)	Limit (dB μ V)	Reading (dB μ V)	Result (dB)
0.16	0.17	0.0	H	65.41	51.23	51.44	55.41	47.55	47.76
0.17	0.16	0.0	H	64.86	39.58	39.78	54.86	33.99	34.19
0.20	0.15	0.0	N	63.49	30.30	30.50	53.49	25.50	25.70
0.27	0.13	0.0	N	61.15	34.37	34.55	51.15	34.14	34.32
0.37	0.13	0.1	N	58.43	31.66	31.86	48.43	26.43	26.63
0.49	0.15	0.1	N	56.15	36.61	36.85	46.15	33.76	34.00
0.60	0.15	0.1	H	56.00	31.13	31.39	46.00	28.37	28.63
0.62	0.15	0.1	N	56.00	31.79	32.05	46.00	32.09	32.35
0.69	0.16	0.1	N	56.00	29.90	30.17	46.00	20.07	20.34
1.03	0.25	0.2	N	56.00	29.07	29.48	46.00	25.36	25.77
1.36	0.26	0.2	N	56.00	30.57	31.03	46.00	27.37	27.83
3.37	0.33	0.4	N	56.00	28.54	29.23	46.00	24.85	25.54
7.56	0.50	0.6	N	60.00	34.20	35.31	50.00	31.07	32.18
7.88	0.52	0.6	H	60.00	32.85	33.99	50.00	25.50	26.64
8.32	0.54	0.7	N	60.00	35.92	37.11	50.00	32.94	34.13
8.43	0.55	0.7	H	60.00	35.75	36.96	50.00	26.96	28.17
9.30	0.61	0.7	H	60.00	31.94	33.25	50.00	24.16	25.47
23.82	0.93	1.3	H	60.00	36.79	38.99	50.00	35.42	37.62
Remark	<p>H : Hot Line, N : Neutral Line *After connect with ferrite cores to RGB cable, tested conducted emission.</p>								



ESTECH Co., Ltd.

Rm 1015, World Venture Center 11,
426-5 Gasan-dong, Guncheon-gu,
Seoul, 158-803, Korea



**Electromagnetic
Interference
Test Report**

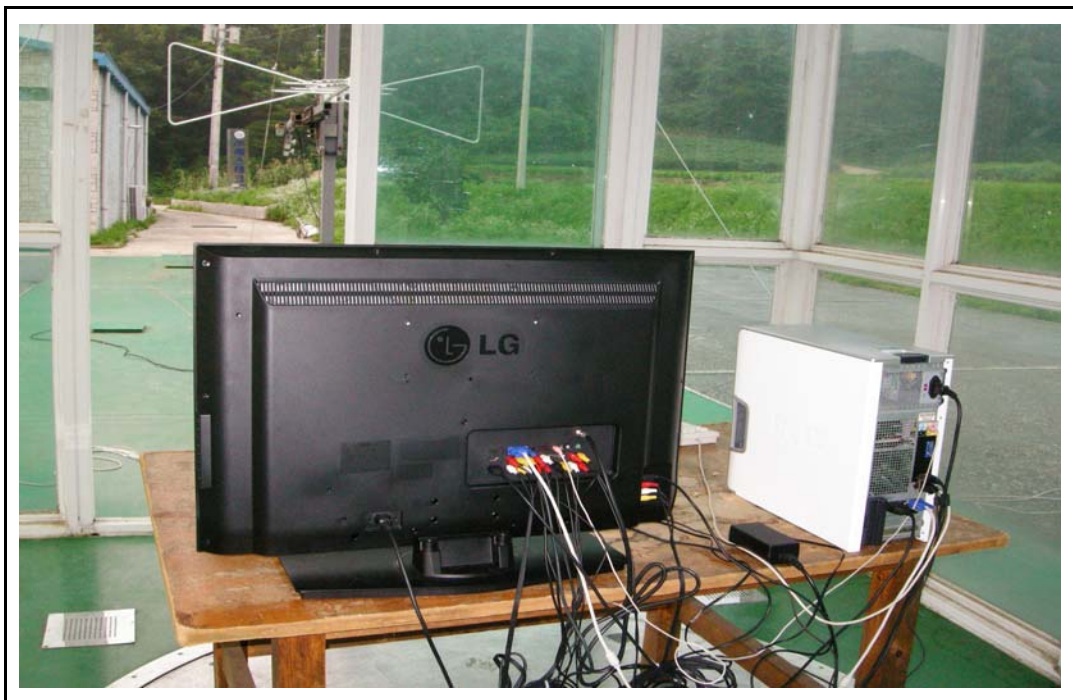
7. Photographs of test setup

7.1 Setup for Radiated Test : 30 ~ 1000 MHz

[Front]

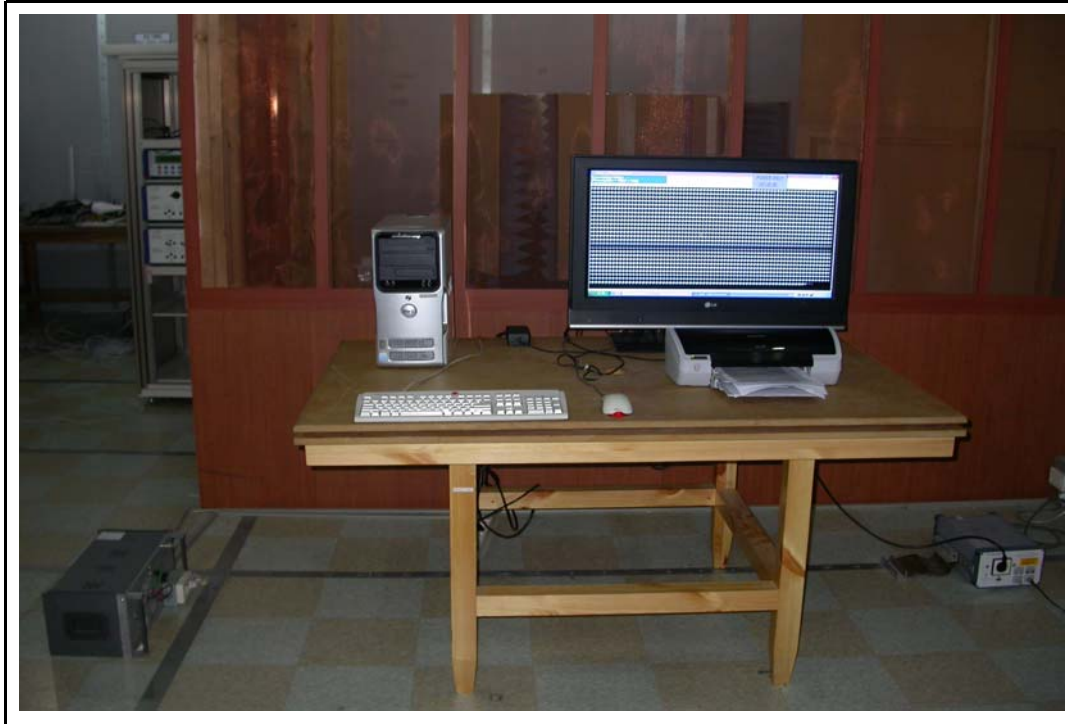


[Rear]

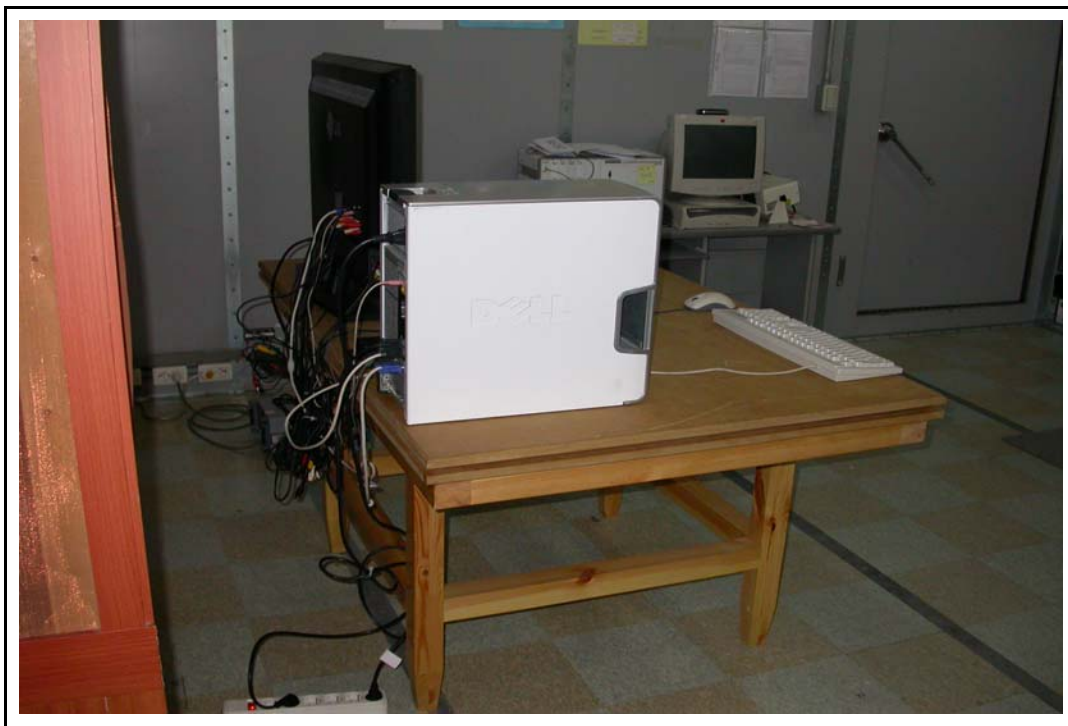


7.2 Setup for Conducted Test : 0.15 ~ 30 MHz

[Front]



[Rear]





ESTECH Co., Ltd.

Rm 1015, World Venture Center II,
426-5 Gasan-dong, Guncheon-gu,
Seoul, 158-803, Korea



**Electromagnetic
Interference
Test Report**

8. Photographs of EUT

[Front]



[Rear]



Appendix 1. Spectral diagram

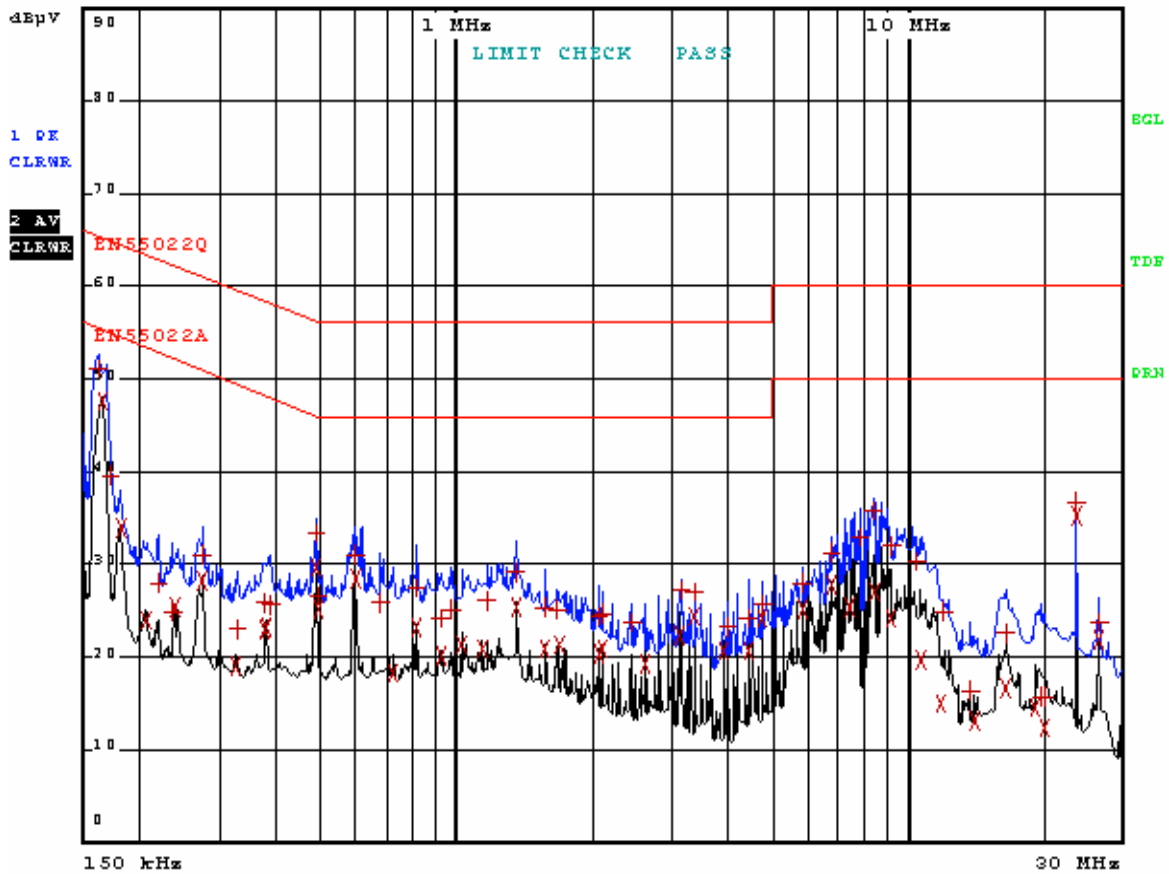
*HOT



RBW 9 kHz

MT 1 s

Att 10 dB AUTO PREAMP OFF



Comment: 32LC7D-Uk_HOT

Date: 27.AUG.2007 22:19:21

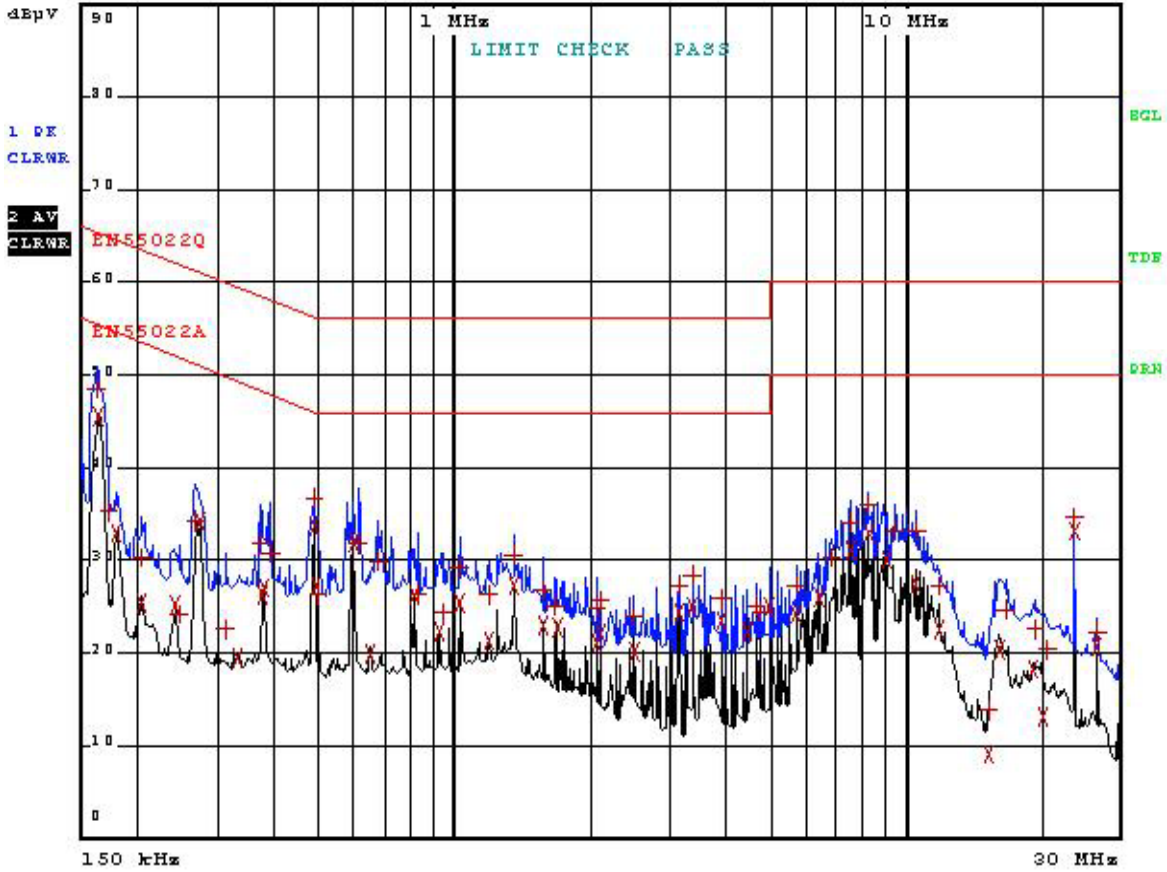
*NEUTRAL



RBW 9 kHz

MT 1 s

Att 10 dB AUTO PREAMP OFF



Comment: 32LC7D-UK_NEUTRAL

Date: 27.AUG.2007 22:23:41