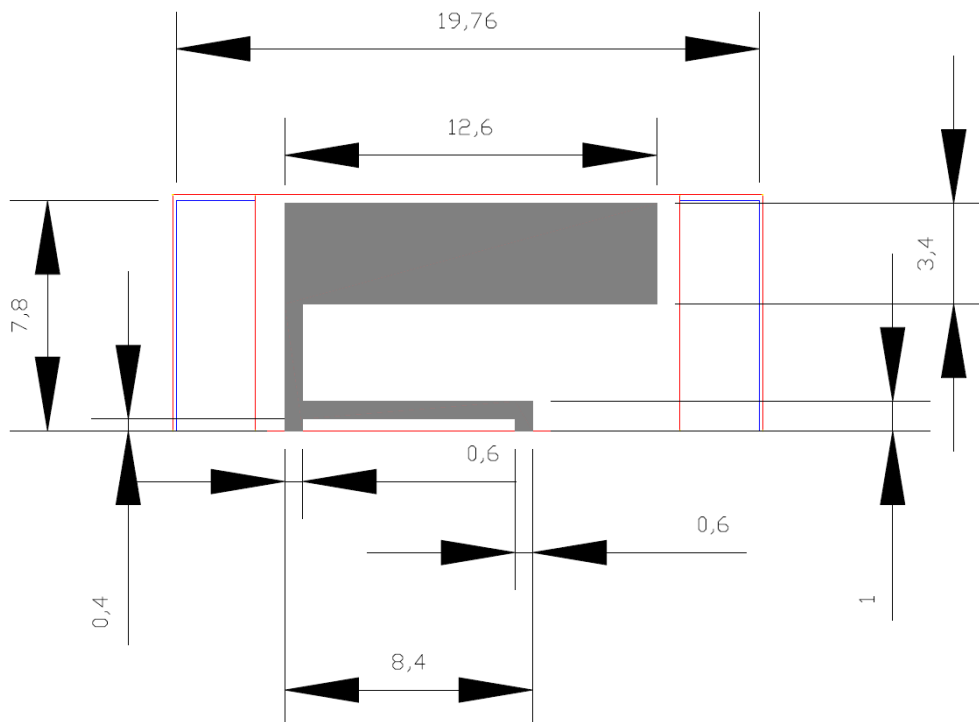


Antenna Information

Item	Contents
Antenna Type	PCB Pattern Antenna
Antenna peak gain	1.67dBi
Manufacturer	Huizhou Gaoshengda Technology Co., Ltd.
Address of manufacturer	No.2,Jin-da Road,Huinan High-tech Industrial Park,Hui-ao Avenue,Huizhou City,Guangdong Province,516025 China
Test laboratory	HANYA Communication Technology Co., Ltd
Antenna Length	19.76mm
Antenna Width	7.8mm

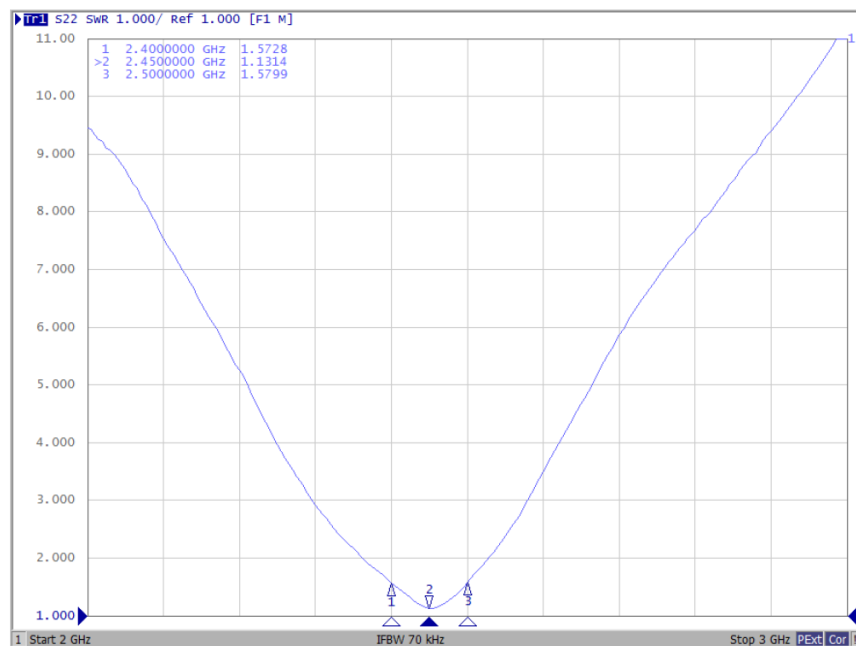


Model name: LCWB-007

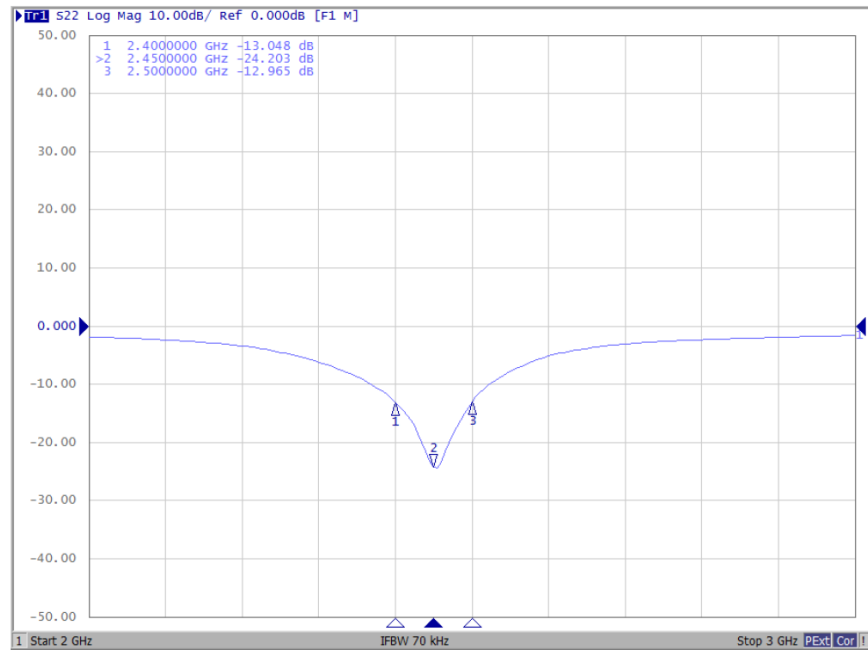
Antenna Measurement Data

Antenna Type		PCB Pattern Antenna	
Applications		WiFi & BLE	
Frequency Range1(TX)		2400MHz~2485MHz	
Frequency Range1(RX)		2400MHz~2485MHz	
Impedance		50Ω	
VSWR	TX	2400MHz	2485MHz
		<2	<2
	RX	2400MHz	2485MHz
		<2	<2
Peak Gain		1.67dBi	

Passive Test Data (VSWR)

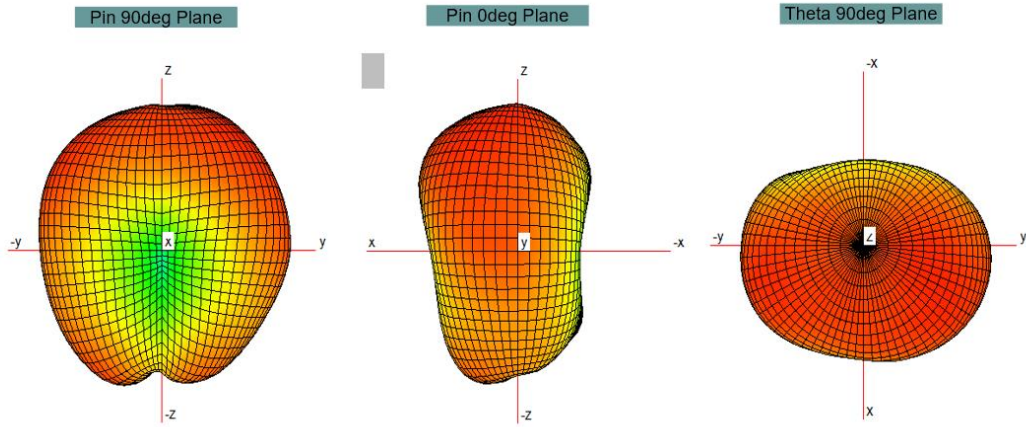


Passive Test Data (Return Loss)



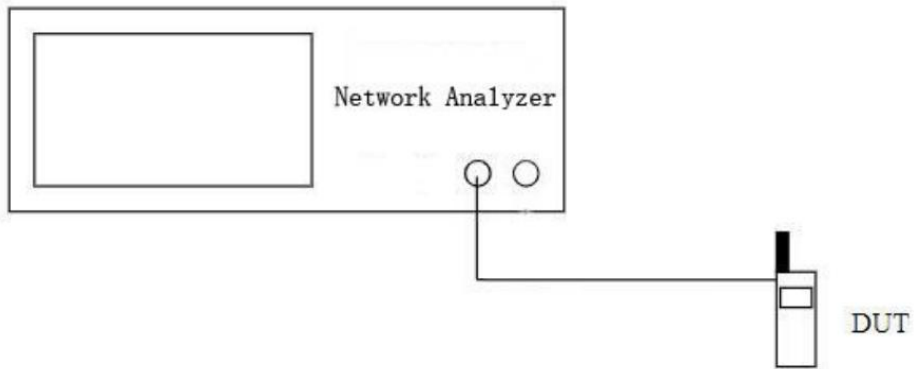
2.4G			
Freq	Efficiency_dB	Gain_dBi	Efficiency_Pcent_%
2400	-1.79	1.63	66.23
2410	-1.82	1.61	65.76
2420	-1.9	1.66	64.58
2430	-1.91	1.67	64.41
2440	-1.95	1.62	63.88
2450	-1.93	1.52	64.19
2460	-1.79	1.63	66.23
2470	-1.85	1.53	65.3
2480	-1.91	1.44	64.37
2490	-1.93	1.57	64.13
2500	-1.79	1.61	66.15

Passive Test Data (Radiation Pattern)



Testing instrument	Manufacturer	Number
Network Analyzer	Keysight	E5071C

S11 Test Instrument



Efficiency, Gain, Pattern Test Environment

