

Installation Guide/User's Guide



Be sure to read the "Safety Precautions" before using the product.
Keep this manual in a place where anyone who uses the product can see it.
Please be careful when using this product and check it has not been altered in any way beyond its default state to prevent the occurrence of accidents

Model Type: Wi-Fi Modem (WLAN Dongle)



| | | | | | | | | | |
|--------------|------------|-------------|----------------|---------------|---------|------------|------------|----------|-------------|
| ENGLISH | ITALIANO | ESPAÑOL | FRANÇAIS | DEUTSCH | EAHNIKA | ČEŠTINA | NERERLANDS | POLSKI | LIBA ROMÂNĂ |
| PORTUGUÊS | MAGYAR | БЪЛГАРСКИ | SRPSKI | HRVATSKI | SVENSKA | NORSK | SUOMI | DANSK | EESTI KEEL |
| MALTI | SLOVENČINA | SLOVENŠČINA | LATVIŠU VALODA | LIEUVIŪ KALBA | GAELIGE | MAKEDONSKI | SHQIP | ISLENSKA | BOSANSKI |
| РУССКИЙ ЯЗЫК | 中文 | TÜRKÇE | العربية | | | | | | |

TABLE OF CONTENTS

Thank you for using our air conditioner featuring the LG SmartThinQ application. Please only operate after reading the user guide to enable a more trouble free, prolonged operation

3 BEFORE USE OR INSTALLATION

- 3 Safety Precautions
- 4 Precautions for Wi-Fi Modem Installation
- 4 Note

5 WI-FI MODEM INSTALLATION

- 5 Components
- 5 USB Extension Cable (Sold Separately) Model: PWYREW000
- 6 1Way/2Way Ceiling Cassette
- 8 4Way Ceiling Cassette
- 9 Commercial Ceiling Type
- 10 Console Type
- 11 Commercial Standing Type
- 12 Floor-mounted Type
- 13 Ceiling Flush Duct
- 14 Air-to-Water Heat Pump Split type
- 15

16 APPLICATION INSTALLATION

- 16 LG SmartThinQ Application Installation
- 16 Note

18 CHECKLIST BEFORE REPORTING FAILURE

- 18 Smartphone Wi-Fi Settings
- 19 Checklist Before Reporting Failure

20 SPECIFICATIONS

- 20 Open source software notice information

21 NOTICE

- 21 FCC Certification
 - 22 IC Certification
 - 24 Wireless LAN module specifications
-

Safety Precautions

The following safety precautions are intended to prevent unforeseen hazards or damage in advance by using the product safely and correctly.

WARNING

Failure to observe these instructions could result in death or serious injury.

CAUTION

Failure to observe these instructions could result in personal injury or property damage.

WARNING

When installing

- Please contact a service center or installation shop to install the product.
 - It may cause fire, electric shock, explosion or injury.
- Please contact a service centre or industry professional to install this product
 - It may cause fire, electric shock, explosion or injury.
- Do not disassemble, repair or modify the product.
 - It may cause fire or electric shock.

When using

- Do not place a heating device near the product.
 - It may cause fire.
- Do not spill water inside the product.
 - It may cause electric shock or failure.
- Do not direct an electrical short circuit to this product
 - Giving a shock to the product may cause malfunction.
- Do not damage the product with a sharp and pointy object, etc.
 - It may damage the parts and cause failure.

CAUTION

When using

- Do not clean with strong solvent-based detergent. Use a soft cloth.
 - It may cause fire or product deformation.
- Do not touch with wet hands or pull the connecting cable.
 - It may cause electric shock or failure.

BEFORE USE OR INSTALLATION

Precautions for Wi-Fi Modem Installation


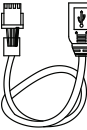
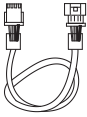
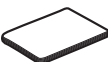

- It must be installed by a professional installer.
- The wireless router should be installed within 10 meters. It is recommended to be installed near the product.
- Install in a place free from electromagnetic interference. It may cause malfunction of the product.
- If there is a wall or obstacle between the Wi-Fi modem and the wireless router, communication issues may occur
- If it is attached to steel structures such as H beams, steel plates, indoor cabinets, etc., communication issues may occur
- Depending on the installation situation, use a 10m extension cable (sold separately), but do not connect more than 10m.
- Do not install the product in a place with high temperature or humidity such as a kitchen or bathroom.
- Install at least 1cm away from the metal panel.

Note


- * Depending on your smartphone, some functions may not work.
- * An environment of Android 4.1.2, iOS 9.1.1 or a later version is recommended for the use of the application.
- * The environment for the use of the application is subject to change for usability/design improvement and content enhancement.
- * It may not work on a tablet.

Components


Installation Parts

| Name | Quantity | Appearance |
|------------------------|----------|---|
| Wi-Fi Modem | 1 |  |
| USB Cable (60cm) | 1 |  |
| Extension Cable (50cm) | 1 |  |
| Manual | 1 |  |
| Double-sided Tape | 2 |  |

Installation Equipment

| Appearance | Name |
|---|--------|
|  | Driver |

USB Extension Cable (Sold Separately) Model: PWYREW000

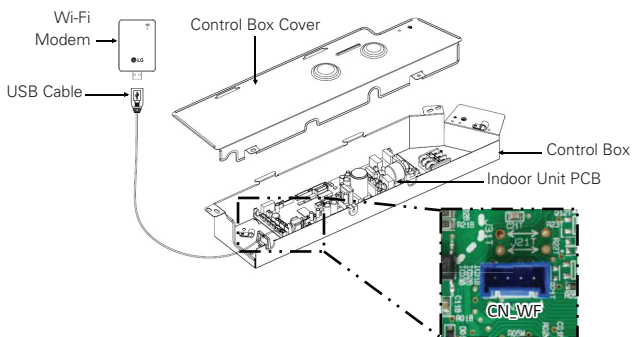
| Name | Quantity | Appearance |
|---------------------------|----------|---|
| USB Extension Cable (10m) | 1 |  |

※ Use a USB extension cable depending on the installation environment. USB extension cable includes ferrite core.

WI-FI MODEM INSTALLATION

1Way/2Way Ceiling Cassette

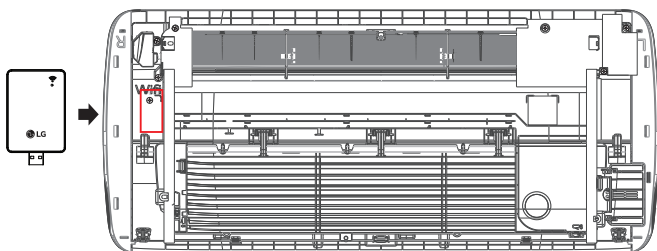
1. Check if the indoor unit is turned off and the power of the outdoor unit is turned off.
2. Open the control box of the indoor unit.
3. Connect the USB cable to the indoor unit PCB (CN_WF).
4. Connect the Wi-Fi modem to the USB cable.
5. Refer to the image below to install the Wi-Fi modem in the marked position.



<Installation Example>

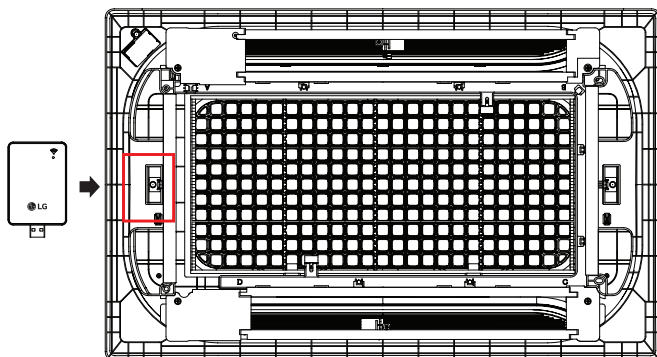
WI-FI MODEM INSTALLATION

- Mounting position of the 1way cassette Wi-Fi modem



※ Connect and install using the included USB extension cable (50cm) according to the length of the product.

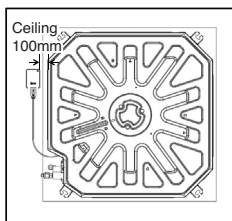
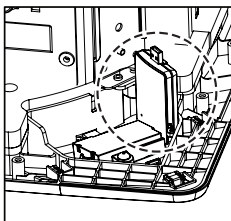
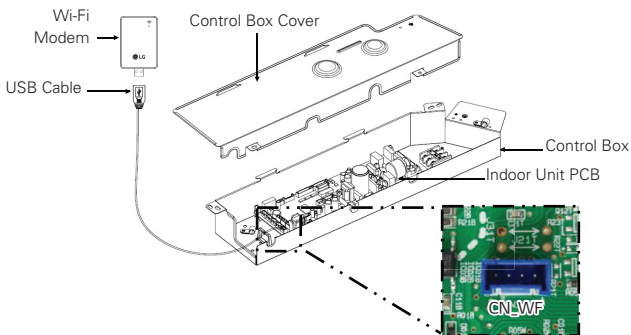
- Mounting position of the 2way cassette Wi-Fi modem



WI-FI MODEM INSTALLATION

4Way Ceiling Cassette

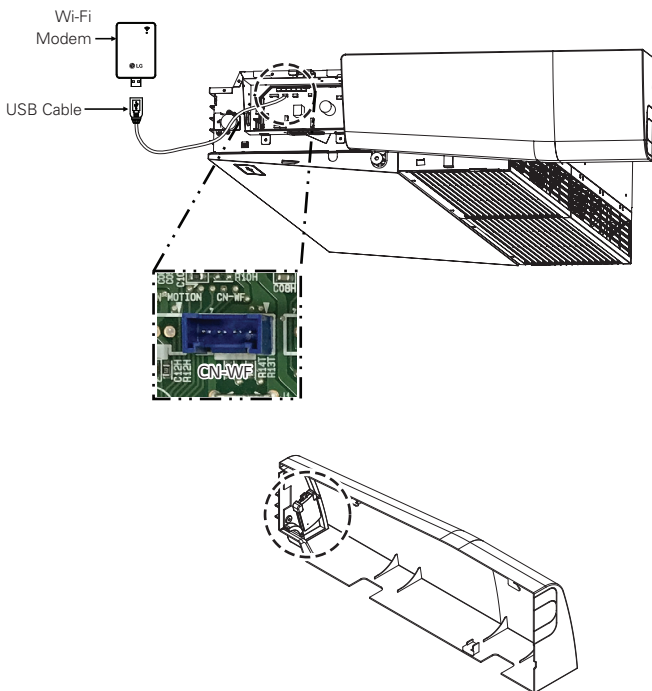
1. Check if the indoor unit is turned off and the power of the outdoor unit is turned off.
2. Open the control box of the indoor unit.
3. Connect the USB cable to the indoor unit PCB (CN_WF).
4. Connect the Wi-Fi modem to the USB cable.
5. Install the Wi-Fi modem on the flat ceiling near the indoor unit or on the corner of the indoor unit panel. (Use the included double-sided tape to fix it in place.)



<Installation Example>

Commercial Ceiling Type

1. Check if the indoor unit is turned off and the power of the outdoor unit is turned off.
2. Open the control box of the indoor unit.
3. Connect the USB cable to the indoor unit PCB (CN-WF).
4. Connect the Wi-Fi modem to the USB cable.
5. Refer to the image below to install the Wi-Fi modem in the marked position of the indoor unit side cover. (Use the included double-sided tape to fix it in place.)

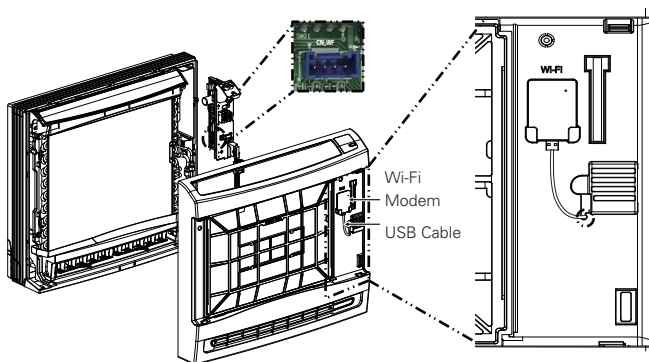


<Installation Example>

WI-FI MODEM INSTALLATION

Console Type

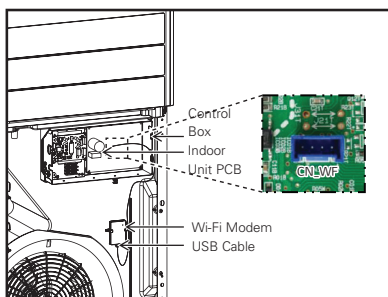
1. Check if the power of indoor unit and the power of outdoor unit are off as well.
2. Open the control box of indoor unit.
3. Connect the USB cable to the indoor unit PCB (CN_WF).
4. Connect Wi-Fi modem to the USB cable.
5. Referencing the following figure, install Wi-Fi modem at the marked position on the front panel of indoor unit (Use the included double-sided tape to fix the modem).
6. Fix the USB cable by hanging at the marked position.



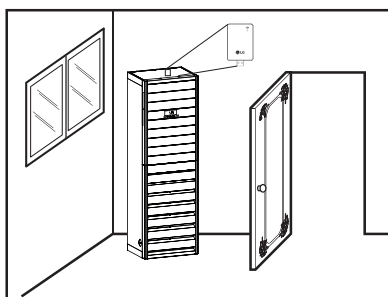
<Installation Example>

Commercial Standing Type

1. Check if the indoor unit is turned off and the power of the outdoor unit is turned off.
2. Open the control box of the indoor unit.
3. Connect the USB cable to the indoor unit PCB (CN_WF).
4. Connect the Wi-Fi modem to the USB cable.
5. Install the Wi-Fi modem on the Wi-Fi fixing unit at the bottom of the indoor unit.
(Use the included double-sided tape to fix it in place.)



Installation Plan 1



Installation Plan 2

<Installation Example>

Installation Plan 1. Install on the fixing structure at the bottom of the control box.

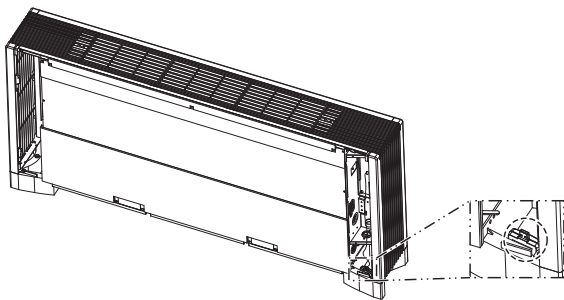
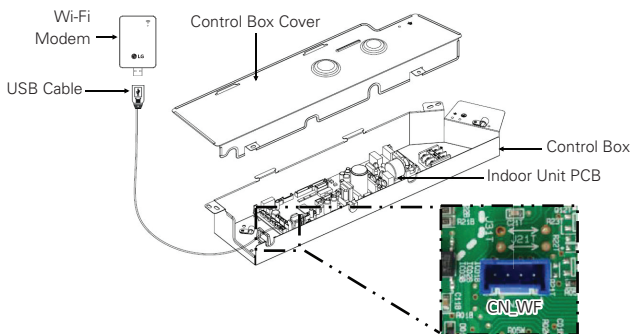
Installation Plan 2. Install on the top of the product.

(Accessories need to be purchased separately on site where extension is required.)

WI-FI MODEM INSTALLATION

Floor-mounted Type

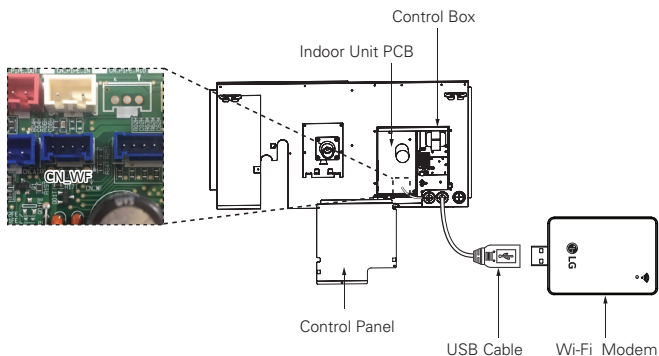
1. Check if the indoor unit is turned off and the power of the outdoor unit is turned off.
2. Open the front panel and the control box of the indoor unit.
3. Connect the USB cable to the indoor unit PCB (CN_WF).
4. Connect the Wi-Fi modem to the USB cable.
5. Refer to the <Installation Example> below to install the Wi-Fi modem.
(Use the included double-sided tape to fix it in place.)



<Installation Example>

Ceiling Flush Duct

1. Check if the indoor unit is turned off and the power of the outdoor unit is turned off.
2. Open the control box of the indoor unit.
3. Connect the USB cable to the indoor unit PCB (CN_WF).
4. Use an extension cable to match the distance between the ceiling tile.
5. Connect the Wi-Fi modem to the USB cable.
6. Attach the Wi-Fi modem to the ceiling tile.
(Use the included double-sided tape to fix it in place.)

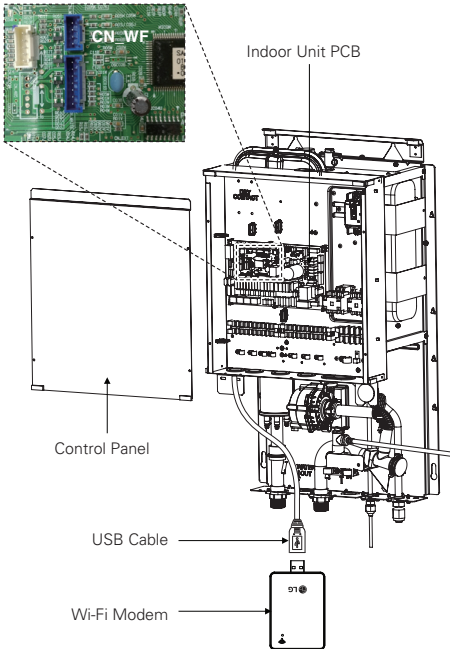


<Installation Example>

WI-FI MODEM INSTALLATION

Air-to-Water Heat Pump Split type

1. Check if the indoor unit is turned off and the power of the outdoor unit is turned off.
2. Open the front panel and the control box of the indoor unit.
3. Connect the USB cable to the indoor unit PCB (CN_WF).
4. Use an extension cable that reaches to the location where you want to install the Wi-Fi modem.
5. Connect the Wi-Fi modem to the USB cable.
6. Attach the Wi-Fi modem to a wall or ceiling near the router. (Use the included double-sided tape to fix it in place.)



<Installation Example>

APPLICATION INSTALLATION

LG SmartThinQ Application Installation

- Search and install "LG SmartThinQ" from the Google Play Store or iOS App Store on your smartphone.
- Refer to the help in the application for how to use "LG SmartThinQ" in detail.

Note

- The Wi-Fi only supports 2.4 GHz radio frequency.
- If the router's security method is WEP, product registration may not be possible. Change the security method of the router (WPA2 recommended) and register the product.
- When registering the product, be sure that the Wi-Fi function of your smartphone is turned on.
- The wireless router and Internet connection line are separate items required for the use of the application and must be installed separately.
- You may contact your Internet service provider or install the wireless router yourself to use the wireless network. When you install the wireless router yourself, be sure to refer to the manual that comes with the router.
- Install the wireless router close to the product. Depending on the installation location or distance between the product and the wireless router, the difference in the signal strength of the wireless network may occur, and the time taken to transmit and receive data may differ.
- It may not be connected depending on the network environment. If you cannot connect it or have trouble setting up the network, please contact your network administrator or Internet service provider.

- The wireless router's SSID (the name of the wireless router that appears when searching for Wi-Fi) must be set to an English, numeric or alphanumeric combination. We do not recommend using Korean letters (Hangeul) or special characters because the information is not sent to the product modem properly and connection may not be established smoothly.
- When connecting to the wireless network, not only the wireless router that you use but also other users' wireless routers used nearby may be searched. Using other users' wireless routers is illegal and may result in legal penalties when caught. Be sure to connect to a wireless router that you are permitted to use to use the network.
- The contents of this manual may differ depending on the version of "LG SmartThinQ" application, and some changes may be made without notice to the user.
- Features provided may vary by model.
- The accumulated power before Wi-Fi installation is not displayed.

CHECKLIST BEFORE REPORTING FAILURE

Smartphone Wi-Fi Settings

! NOTE

- To register the product, set the following items to off in Wi-Fi general settings and advanced settings. Please be aware that the expressions in the settings may differ depending on the manufacturer of your smartphone.

Automatically Switch to Mobile Data

If you cannot use the internet with Wi-Fi, use the internet with your mobile data plan.



Pass Point

Connect automatically to the Wi-Fi that supports Pass Point.



Cancel Connection to Wi-Fi with Weak Signal

If the currently-connected Wi-Fi signal is weak, the device cancels the connection and tries to connect to another Wi-Fi or mobile network.



Disconnect Wi-Fi with Weak Signal

When the signal is weak, it tries to connect to another Wi-Fi or data network.



Smart Network Switching

While using this feature, it will automatically connect to your mobile network when your Wi-Fi connection is not good. Additional charges may apply, depending on the data plan.

On

Off

Cancel

Connection Failure Prevention

Do not use Wi-Fi networks that are not properly-connected to the Internet.



CHECKLIST BEFORE REPORTING FAILURE

Checklist Before Reporting Failure

| Symptoms | Checklist | Actions |
|--|---|---|
| The air conditioner is not connected on the LG SmartThinQ application. | <ul style="list-style-type: none">• Is the power of the air conditioner disconnected?• Is the wireless router connected to the air conditioner turned off? | <ul style="list-style-type: none">• Connect the power of the air conditioner.• Turn on the router. |
| The device is not registered on the air conditioner. | <ul style="list-style-type: none">• Is the distance between the air conditioner and the wireless router too far?• Is the wireless router normal? | <ul style="list-style-type: none">• Move the wireless router closer to the air conditioner.• There are routers that only service the subscribers for each telecommunications carrier. If it is an old router, contact your service provider and replace it with a new one. |

SPECIFICATIONS

Open source software notice information

To obtain the source code under GPL, LGPL, MPL, and other open source licenses, that is contained in this product, please visit <http://opensource.lge.com>.

In addition to the source code, all referred license terms, warranty disclaimers and copyright notices are available for download.

LG Electronics will also provide open source code to you on CD-ROM for a charge covering the cost of performing such distribution (such as the cost of media, shipping, and handling) upon email request to opensource@lge.com.

This offer is valid for a period of three years after our last shipment of this product. This offer is valid to anyone in receipt of this information.

FCC Certification

FCC Notice (For transmitter module contained in this product)

This equipment has been tested and found to comply with the limits for a Class B digital device, pursuant to Part 15 of the FCC Rules. These limits are designed to provide reasonable protection against harmful interference in a residential installation. This equipment generates, uses, and can radiate radio frequency energy and, if not installed and used in accordance with the instructions, may cause harmful interference to radio communications. However, there is no guarantee that interference will not occur in a particular installation. If this equipment does cause harmful interference to radio or television reception, which can be determined by turning the equipment off and on, the user is encouraged to try to correct the interference by one or more of the following measures:

- Reorient or relocate the receiving antenna.
- Increase the separation between the equipment and the receiver.
- Connect the equipment to an outlet on a circuit different from that to which the receiver is connected.
- Consult the dealer or an experienced radio/TV technician for help.

This device complies with part 15 of the FCC Rules. Operation is subject to the following two conditions:

- (1) This device may not cause harmful interference and
- (2) This device must accept any interference received, including interference that may cause undesired operation of the device.

Any changes or modifications in construction of this device which are not expressly approved by the party responsible for compliance could void the user's authority to operate the equipment.

FCC RF Radiation Exposure Statement

This equipment complies with FCC radiation exposure limits set forth for an uncontrolled environment. This transmitter must not be co-located or operating in conjunction with any other antenna or transmitter.

This equipment should be installed and operated with a minimum distance of 20 cm (7.8 inches) between the antenna and your body. Users must follow the specific operating instructions for satisfying RF exposure compliance.

NOTICE

IC Certification

Industry Canada Statement (For transmitter module contained in this product)

This device complies with Industry Canada's applicable licence-exempt RSSs. Operation is subject to the following two conditions:

- (1) This device may not cause interference; and
- (2) This device must accept any interference, including interference that may cause undesired operation of the device.

IC Radiation Exposure Statement

This equipment complies with IC radiation exposure limits set forth for an uncontrolled environment. This equipment should be installed and operated with a minimum distance of 20 cm (7.8 inches) between the antenna and your body.

NOTE: THE MANUFACTURER IS NOT RESPONSIBLE FOR ANY RADIO OR TV INTERFERENCE CAUSED BY UNAUTHORIZED MODIFICATIONS TO THIS EQUIPMENT. SUCH MODIFICATIONS COULD VOID THE USER'S AUTHORITY TO OPERATE THE EQUIPMENT.

Avis d'Industrie Canada (pour le module de transmission compris dans le produit)

Cet appareil est conforme aux normes CNR d'Industrie Canada applicables aux appareils radio exempts de licence. Son fonctionnement est sujet aux deux conditions suivantes :

- 1) Cet appareil ne doit pas provoquer d'interférences, et
- 2) Cet appareil doit accepter toutes les interférences, y compris celles pouvant entraîner son dysfonctionnement.

Énoncé d'IC concernant l'exposition à la radiation

Cet appareil est conforme aux limites d'exposition aux rayonnements d'Industrie Canada pour un environnement non contrôlé. Cet appareil doit être installé et utilisé de façon à garder une distance minimale de 20 cm (7,8 po) entre la source de rayonnement et votre corps.

REMARQUE : LE FABRICANT N'EST PAS RESPONSABLE DES INTERFÉRENCES RADIOÉLECTRIQUES CAUSÉES PAR DES MODIFICATIONS NON AUTORISÉES APPORTÉES À CET APPAREIL. DE TELLES MODIFICATIONS POURRAIENT ANNULER L'AUTORISATION ACCORDÉE À L'UTILISATEUR DE FAIRE FONCTIONNER L'APPAREIL.

NOTICE

Wireless LAN module specifications

| | |
|--------------------|--|
| Model | PCRCUDT3 |
| Frequency Range | 2412~2462 MHz |
| Output Power (Max) | IEEE 802.11b : 14.95 dBm IEEE 802.11g : 17.27 dBm IEEE 802.11n : 16.57 dBm |

| | |
|--------------------|--|
| Model | LCW-005 |
| Frequency Range | 2412~2462 MHz |
| Output Power (Max) | IEEE 802.11b : 19.29 dBm IEEE 802.11g : 25.43 dBm IEEE 802.11n : 25.30 dBm |

CE Certification

Hereby, LG Electronics declares that the radio equipment type Wi-Fi Modem(WLAN Dongle) is in compliance with Directive 2014/53/EU. The full text of the EU declaration of conformity is available at the following internet address:

<http://www.lg.com/global/support/cedoc/cedoc#>

LG Electronics European Shared Service Center B.V.

Krijgsman 1

1186 DM Amstelveen

The Netherlands

Wireless function S/W version : V 1.0

Wireless LAN module specifications

| | |
|--------------------|--|
| Model | LCW-005 |
| Frequency Range | 2412~2472 MHz |
| Output Power (Max) | IEEE 802.11b : 18.08 dBm IEEE 802.11g : 17.86 dBm IEEE 802.11n : 17.81 dBm |



NOTICE
