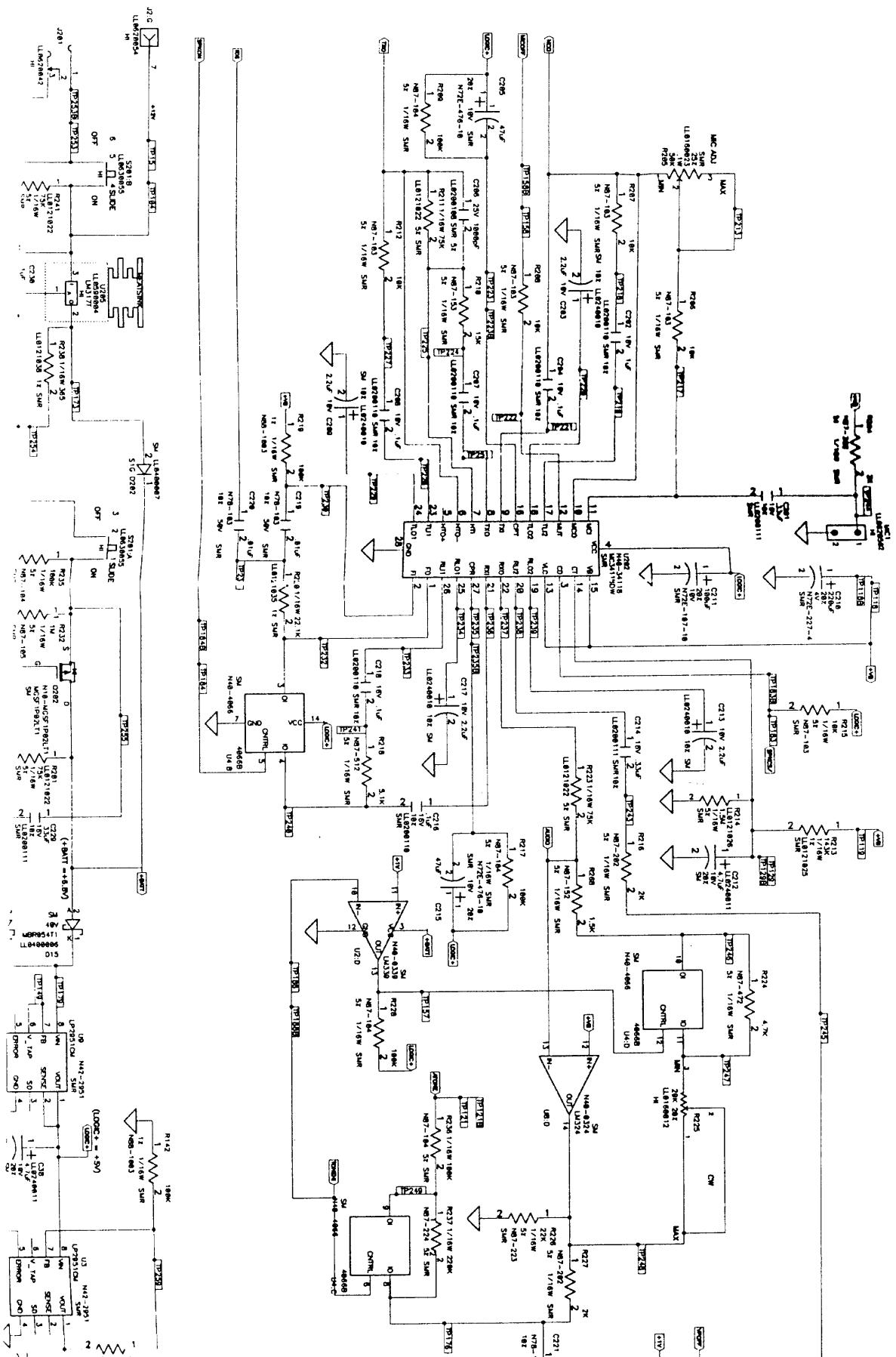
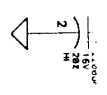
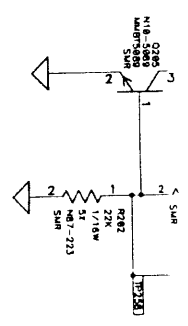
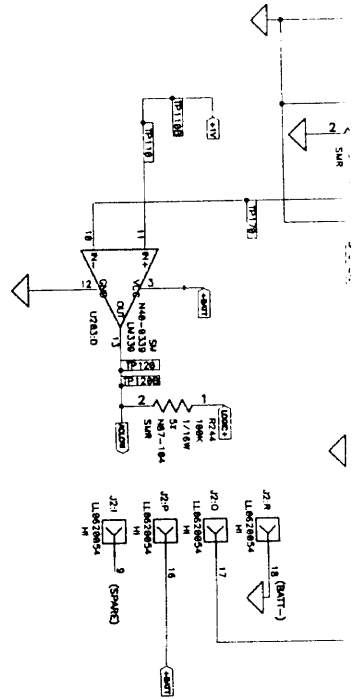
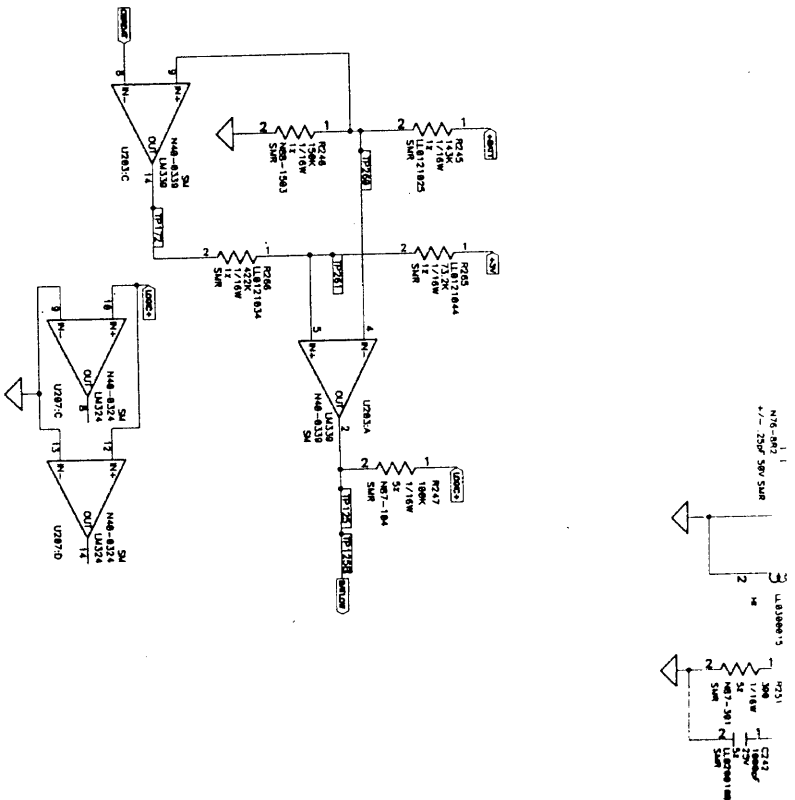


THIS DOCUMENT CONTAINS UNCLASSIFIED INFORMATION
 UNLESS INDICATED OTHERWISE. IT IS THE PROPERTY OF THE
 DIRECTORATE OF DISTRIBUTION OF THIS DOCUMENT
 & IS LOANED TO YOU BY THE DIRECTORATE OF DISTRIBUTION
 & IS NOT TO BE REPRODUCED OR TRANSMITTED IN ANY
 MANNER WITHOUT THE WRITTEN PERMISSION OF THE DIRECTORATE.





1. 2.3V
2. 5V
3. 5V



LIFELINE SYSTEMS, INC. 800 WILSON AVENUE CHANDLER, ARIZONA 85226-9000				06/22/00
SCHEMATIC PCB MAIN LOGIC				
Title SCHEMATIC PCB MAIN LOGIC	Score NONE	Part # SA1810168	Rev A	Scale NONE
DESIGN CHECKED BY: JMS DRAWN BY: JMS		DATE: 06/22/00		
TITLE: SCHEMATIC PCB MAIN LOGIC		PART # SA1810168		
DATE: 06/22/00		REV: A		
CHECKED BY: JMS		SCALE: NONE		

