

**Lifeline Systems Inc.**

Application  
For  
47 CFR Part 15 Certification  
RSS-213 Issue 2 Equipment Certification

Unlicensed Personal Communication Service Devices/  
2 GHz License-exempt Personal Communications Service Devices

This report supersedes previous report with report number(s) HK09031025-1 dated June 23, 2009

**FCC ID: BDZ1000**  
**Model: DT1000**

**IC: 655C-1000**  
**Model: DT1000**

**Test Report Number: HK09031025-1(R1)**

**Issue Date: September 25, 2012**

MN/cl

- The test report only allows to be revised within the retention period unless further standard or the requirement was noticed.
- This report is for the exclusive use of Intertek's Client and is provided pursuant to the agreement between Intertek and its Client. Intertek's responsibility and liability are limited to the terms and conditions of the agreement. Intertek assumes no liability to any party, other than to the Client in accordance with the agreement, for any loss, expense or damage occasioned by the use of this report. Only the Client is authorized to permit copying or distribution of this report and then only in its entirety. Any use of the Intertek name or one of its marks for the sale or advertisement of the tested material, product or service must first be approved in writing by Intertek. The observations and test results in this report are relevant only to the sample tested. This report by itself does not imply that the material, product, or service is or has ever been under an Intertek certification program.

# INTERTEK TESTING SERVICES

## MEASUREMENT/TECHNICAL REPORT

**Lifeline Systems Inc. - Model: DT1000**  
**FCC ID: BDZ1000**

This report concerns (check one:) Original Grant  Class II Change

Equipment Type : PUB - Part 15 Unlicensed PCS Base Station  
PUE - Part 15 Unlicensed PCS portable Tx held to ear

Deferred grant requested per 47 CFR 0.457(d)(1)(ii)? Yes  No

If yes, defer until :

\_\_\_\_\_  
Date

Company Name agrees to notify the Commission by: \_\_\_\_\_  
Date

of the intended date of announcement of the product so that the grant can be issued on that date.

Transition Rules Request per 15.37? Yes  No

If no, assumed Part 15, Subpart D for Unlicensed Personal Communication Service Device - the new 47 CFR [10-01-10 Edition] Provision.

Report prepared by: Nip Ming Fung, Melvin

Intertek Testing Services Hong Kong Ltd.  
2/F., Garment Centre,  
576 Castle Peak Road,  
Kowloon, Hong Kong.  
Phone : 852-2173-8538  
Fax: 852-2741-1693

---

# INTERTEK TESTING SERVICES

---

## Table of Contents

<b>1.0 Summary of Test Results</b> .....	5
<b>2.0 General Description</b> .....	8
2.1 Product Description .....	8
2.2 Technical Description .....	8
2.3 Test Methodology .....	9
2.4 Test Facility .....	9
<b>3.0 System Test Configuration</b> .....	11
3.1 Justification .....	11
3.2 Conducted Emission Test Configuration .....	12
3.3 Conducted Monitoring and Operational Test Configuration .....	12
3.4 EUT Exercising Software .....	12
3.5 Details of EUT and Description of Peripherals .....	13
3.6 Measurement Uncertainty .....	14
3.7 Equipment Modification .....	14
<b>4.0 Measurement Results</b> .....	16
4.1 Antenna Requirement .....	16
4.2 Digital Modulation Techniques .....	16
4.3 Emission Bandwidth .....	17
4.4 Directional Gain of the Antenna .....	18
4.5 Peak Transmit Power .....	19
4.6 Power Spectral Density .....	20
4.7 Automatic Discontinuation of Transmission .....	21
4.8 Unwanted Emission Inside the Sub-Band .....	22
4.9 Emissions Outside the Sub-Band .....	24
4.9.1 Radiated Emissions Configuration Photographs .....	25
4.9.2 Radiated Emissions Data .....	25
4.9.3 Field Strength Calculation .....	35
4.9.4 Average Factor Calculation and Transmitter ON Time Measurements .....	36
4.10 Radiated Emissions from Receiver .....	37
4.10.1 Radiated Emission Configuration Photographs .....	38
4.10.2 Radiated Emissions Data .....	38
4.11 AC Power Line Conducted Emissions from Transmitter portion of EUT .....	42
4.11.1 AC Power Line Conducted Emissions Configuration Photographs .....	43
4.11.2 AC Power Line Conducted Emissions Data .....	43
4.12 Radio Frequency Radiation Exposure .....	44
4.13 Radio Frequency Exposure Compliance .....	44
4.14 Frame Repetition Stability .....	45
4.15 Frame Period and Jitter .....	46
4.16 Carrier Frequency Stability .....	47

---

# INTERTEK TESTING SERVICES

---

## Table of Contents

4.17 Monitoring Threshold.....	49
4.17.1 Lower Monitoring Threshold .....	50
4.17.2.1 Upper Monitoring Threshold.....	51
4.17.2.2 Least Interfered Channel (LIC) Selection .....	52
4.17.2.3 Least Interfered Channel (LIC) Confirmation.....	55
4.17.2.4 Maximum Spectrum Occupance .....	55
4.18 Monitoring Time.....	56
4.19 Maximum Transmit Period.....	57
4.20 System Acknowledgement .....	58
4.21 Random Waiting.....	60
4.22 Monitoring Bandwidth .....	61
4.23 Maximum Reaction Time.....	63
4.24 Monitoring Antenna .....	64
4.25 Duplex Connections .....	65
4.26 Alternative Monitoring Interval for Co-located Device.....	68
4.27 Fair Access.....	69
<b>5.0 Equipment List .....</b>	<b>70</b>
<b>Appendix – Exhibits of Application for Certification</b>	

**INTERTEK TESTING SERVICES**

---

**EXHIBIT 1  
SUMMARY OF TEST RESULTS**

# INTERTEK TESTING SERVICES

## 1.0 Summary of Test Results

**Lifeline Systems Inc.**

**FCC ID: BDZ1000**

**MODEL: DT1000**

**IC: 655C-1000**

**MODEL: DT1000**

<b>General Technical Requirements</b>					
<b>Test Items</b>	<b>RSS-213 / RSS-Gen<sup>#</sup> Clause</b>	<b>FCC Part 15 Section</b>	<b>Test Procedure ANSI C63.17 / ANSI C63.4<sup>*</sup></b>	<b>Results</b>	<b>Details see section</b>
Antenna Requirement	7.1.4 <sup>#</sup>	15.317	---	Pass	4.1
Digital Modulation Techniques	6.1	15.319(b)	6.1.4	Pass	4.2
Occupied/Emission Bandwidth	6.4	15.323(a)	6.1.3	Pass	4.3
Directional Gain of the Antenna	4.1(e)	15.319(e)	4.3.1	Pass	4.4
Peak Transmit Power	6.5	15.319(c)	6.1.2	Pass	4.5
Power Spectral Density	6.6	15.319(d)	6.1.5	Pass	4.6
Automatic Discontinuation of Transmission	4.3.4(a)	15.319(f)	---	Pass	4.7
AC Power Line Conducted Emissions from EUT	6.3	15.315	7 <sup>*</sup>	Pass	4.10
Radiated Emissions from Receiver Portion of EUT	6.8	---	8 <sup>*</sup>	Pass	4.11
Radio Frequency Radiation Exposure	RSS-102	15.319(i)	---	Pass	4.12
Security Code Information	5	---	---	Pass	2.2

## INTERTEK TESTING SERVICES

### 1.0 Summary of Test Results (continued)

<b>Specific Requirements for UPCS Device</b>					
Test Items	RSS-213 Clause	FCC Part 15 Section	Test Procedure ANSI C63.17	Results	Details see section
Unwanted Emission Inside the Sub-Band	6.7.2	15.323(d)	6.1.6.1	Pass	4.8
Emissions Outside the Sub-Band	6.7.1	15.323(d)	6.1.6.2	Pass	4.9
Frame Repetition Stability	4.3.4(c)	15.323(e)	6.2.2	Pass	4.14
Frame Period and Jitter	4.3.4(c)	15.323(e)	6.2.3	Pass	4.15
Carrier Frequency Stability	6.2	15.323(f)	6.2.1	Pass	4.16
Lower Monitoring Threshold	4.3.4(b2&b9)	15.323(c2&c9)	7.3.1	NA	4.17.1
Upper Monitoring Threshold	4.3.4(c5&c9)	15.323(c5.1&c9)	7.3.2	Pass	4.17.2.1
Least Interfered Channel (LIC) Selection	4.3.4(b5)	15.323(c)(5)	7.3.3	Pass	4.17.2.2
Least Interfered Channel (LIC) Confirmation	4.3.4(b5)	15.323(c)(5)	7.3.3	Pass	4.17.2.3
Maximum Spectrum Occupancy	4.3.4(b5)	15.323(c)(5)	---	Pass	4.17.2.4
Monitoring Time	4.3.4(b1)	15.323(c)(1)	7.3.4	Pass	4.18
Maximum Transmit Period	4.3.4(b3)	15.323(c)(3)	---	Pass	4.19
System Acknowledgement	4.3.4(b4)	15.323(c4)	8.1 or 8.2	Pass	4.20
Random Waiting	4.3.4(b6)	15.323(c)(6)	8.1.2 or 8.1.3	Pass	4.21
Monitoring Bandwidth	4.3.4(b7)	15.323(c)(7)	7.4	Pass	4.22
Maximum Reaction Time	4.3.4(b7)	15.323(c)(7)	7.5	Pass	4.23
Monitoring Antenna	4.3.4(b8)	15.323(c)(8)	4	Pass	4.24
Duplex Connections	4.3.4(b10)	15.323(c)(10)	8.3	Pass	4.25
Alternative Monitoring Interval for Co-located Device	4.3.4(b11)	15.323(c)(11)	8.4	NA	4.26
Fair Access	4.3.4(b12)	15.323(c)(12)	---	Pass	4.27

**Test Engineer:**

**Approved By:**

**Signed on File**

Koo Wai Ip  
Senior Lead Engineer

\_\_\_\_\_  
Nip Ming Fung, Melvin  
Assistant Manager

Date: September 25, 2012

**INTERTEK TESTING SERVICES**

---

**EXHIBIT 2  
GENERAL DESCRIPTION**



## **INTERTEK TESTING SERVICES**

---

### **2.0 General Description**

#### 2.1 Product Description

The DT1000 is a 1.9GHz Digital Modulation Cordless Phone with Caller ID and Speakerphone. It operates at frequency range of 1921.536MHz to 1928.448MHz with 5 channels (1921.536MHz, 1923.264MHz, 1924.992MHz, 1926.720MHz and 1928.448MHz). The Base Unit is powered by an adaptor (9VDC 0.83A) and/or a "Ni-MH" type rechargeable battery pack (3.6V, 1100mAh). The Handset is powered by a "Ni-MH" type rechargeable battery pack (2.4V 700mAh). The Voice Extension Unit is powered by an adaptor (9VDC 0.55A) and/or a "Ni-MH" type rechargeable battery pack (3.6V, 700mAh)

The antennas used in base unit, handset and Voice Extension Unit are integral, and the test samples are prototypes.

The RF modules of handset and Voice Extension Unit are identical including RF algorithm.

Connection between the device and the telephone network is accomplished through the use of USOC RJ11C in the 2-wire loop calling central office line.

#### 2.2 Technical Description

The circuit description and digital modulation techniques description are saved as filename: descri.pdf.

## INTERTEK TESTING SERVICES

---

### 2.3 Test Methodology

The radiated emission measurements for unintentional radiator (if any) and AC power line-conducted emission measurements were performed according to the test procedures specified in ANSI C63.4 (2009). The radiated emission measurements for intentional radiator contained in UPCS device, conducted emission measurements, Listen Before Transmit (LBT) tests, Time Frame and Frequency Stability tests were performed according to the test procedures specified in ANSI C63.17 (2006). All radiated measurements were performed in Open Area Test Sites. Preliminary scans were performed in the Open Area Test Sites only to determine worst case modes. All radiated tests were performed at an antenna to EUT distance of 3 meters, unless stated otherwise in the "Justification Section" of this Application. All other measurements were made in accordance with the procedures in 47 CFR Part 2 / RSS-Gen Issue 3 (2010).

### 2.4 Test Facility

The open area test site and conducted measurement facility used to collect the emission data is located at Garment Centre, 576 Castle Peak Road, Kowloon, Hong Kong. This test facility and site measurement data have been fully placed on file with the FCC and the Industry Canada.

**INTERTEK TESTING SERVICES**

---

**EXHIBIT 3  
SYSTEM TEST CONFIGURATION**

## INTERTEK TESTING SERVICES

---

### 3.0 System Test Configuration

#### 3.1 Justification

For emissions testing, the equipment under test (EUT) was set up to transmit continuously in burst mode with pseudo-random data to simplify the measurement methodology. Care was taken to ensure proper power supply voltages during testing. During testing, all cables (if any) were manipulated to produce worst-case emissions. The base unit, handset and Voice Extension Unit were (if any) powered by fully charged batteries and power adaptors as appropriate.

For the measurements, the EUT was attached to a plastic stand if necessary and placed on the wooden turntable. If the base unit attached to peripherals, they were connected and operational (as typical as possible).

The signal was maximized through rotation and placement in the three orthogonal axes. The antenna height and polarization were varied during the search for maximum signal level. The antenna height was varied from 1 to 4 meters. Detector function was in peak mode. Radiated emissions are taken at three meters unless the signal level was too low for measurement at that distance. If necessary, a pre-amplifier was used and/or the test was conducted at a closer distance.

For UPCS transmitter radiated measurement, the spectrum analyzer resolution bandwidth was approximately 1% of EUT emission bandwidth, unless otherwise specified.

For receiver radiated measurement, the spectrum analyzer resolution bandwidth was 1 MHz for measurement above 1 GHz while 100 kHz for measurement from 30 MHz to 1 GHz.

Radiated emission measurements for UPCS transmitter were performed from the lowest radio frequency signal generated in the device which is greater than 9 kHz to the tenth harmonic of the highest fundamental frequency or to 40 GHz, whichever is lower. Receiver was performed from 30 MHz to the fifth harmonic of the highest frequency or 40 GHz, whichever is lower.

RF module for handset of DT1000 is the same as the Voice Extension Unit. Therefore conducted emission measurement for emission bandwidth, peak transmit power, jitter, frame repetition stability, carrier stability and listen before transmit requirements for the Voice Extension Unit are skipped.

As the base unit has 2 antennas, both have been checked. While conducting the test on one of antennas, another one was being disable its transmission. The data in this report represented the worst-case.

# INTERTEK TESTING SERVICES

## 3.2 Conducted Emission Test Configuration

The setup and equipment setting were made in accordance with ANSI C63.17. The antenna of EUT transmitter was replaced by a coaxial cable. The impedance matching of connection, cable loss and external RF attenuator are taken into account. The EUT was arranged to communicate via a fixed carrier frequency between its transmitter and a companion device. The transmission was configured in burst mode with pseudo-random data as typical as normal operation.

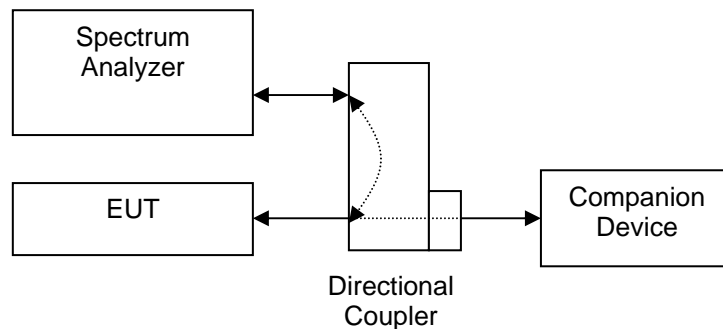


Figure 3.2.1

## 3.3 Conducted Monitoring and Operational Test Configuration

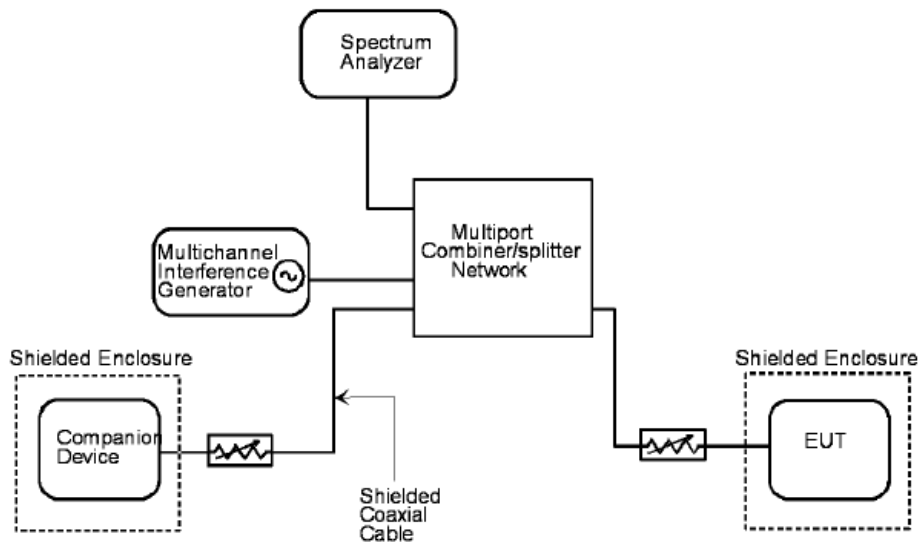


Figure 3.3.1

## 3.4 EUT Exercising Software

The EUT exercise program (if any) used during radiated and conducted testing was designed to exercise the various system components in a manner similar to a typical use.

## INTERTEK TESTING SERVICES

---

### 3.5 Details of EUT and Description of Peripherals

#### Details of EUT:

An AC adaptor and/or a battery (provided with the unit) were used to power the device. Their description are listed below.

- (1) Base Unit: An AC adaptor (100-240VAC to 9VDC 0.83A, Model: PLA08A-090) (Supplied by Client)
- (2) Voice Extension Unit: An AC adaptor (100-240VAC to 9VDC 0.55A, Model: PLA05A-090) (Supplied by Client)
- (3) Base Unit battery: A "Ni-MH" type rechargeable battery pack (3.6V 1100mAh) (Supplied by Client)
- (4) Handset: A "Ni-MH" type rechargeable battery pack (2.4V 700mAh) (Supplied by Client)
- (5) Voice Extension Unit battery: A "Ni-MH" type rechargeable battery pack (3.6V 700mAh) (Supplied by Client)
- (6) Answering machine (Model: 1739) (Supplied by Intertek)

#### Description of Peripherals:

- (1) 1m Telephone Line with Termination

## INTERTEK TESTING SERVICES

---

### 3.6 Measurement Uncertainty

When determining of the test conclusion, the Measurement Uncertainty test has been considered.

Uncertainty and Compliance - Unless the standard specifically states that measured values are to be extended by the measurement uncertainty in determining compliance, all compliance determinations are based on the actual measured value.

### 3.7 Equipment Modification

Any modifications installed previous to testing by Lifeline Systems Inc. will be incorporated in each production model sold/leased in the United States/Canada.

No modifications were installed by Commercial & Electrical Division, Intertek Testing Services Hong Kong Ltd.

**INTERTEK TESTING SERVICES**

---

**EXHIBIT 4  
MEASUREMENT RESULTS**



## INTERTEK TESTING SERVICES

---

Company: Lifeline Systems Inc.  
Model: DT1000

Date of Test: March 23-April 17, 2009

### 4.0 **Measurement Results**

#### 4.1 Antenna Requirement, FCC Rule 15.317 / RSS-Gen Clause 7.1.4:

EUT must meet the antenna requirement of FCC Rule 15.203 / RSS-Gen Clause 7.1.4.

EUT uses a permanently attached antenna which is considered sufficient to comply with the provisions of this rule. Please refer to internal photos.pdf for more details.

EUT uses a unique antenna jack or electrical connector which is considered sufficient to comply with the provisions of this rule. Please refer to internal photos.pdf for more details.

#### 4.2 Digital Modulation Techniques, FCC Rule 15.319(b) / RSS-Gen Clause 6.1:

All transmissions must use only digital modulation techniques.

The requirements are made in accordance with ANSI C63.17 sub-clause 6.1.4.

Attestation:

Please refer to the technical description in section 2.2 or relevant DECT standards for more details.

## INTERTEK TESTING SERVICES

---

Company: Lifeline Systems Inc.  
Model: DT1000

Date of Test: March 23-April 17, 2009

### 4.3 Emission Bandwidth, FCC Rule 15.323(a) / Occupied Bandwidth, RSS-213 Clause 6.4:

Operation shall be contained within the 1920 – 1930 MHz band. The emission bandwidth (*B*) shall be less than 2.5 MHz and greater than 50 kHz.

Measurements are made in accordance with ANSI C63.17 sub-clause 6.1.3. Test setup is shown in section 3.2 Figure 3.2.1.

#### Test Results:

##### Ia. Base unit - Traffic Carrier

Channel	Channel Frequency (MHz)	Measuring Signal Level	Measured Emission Bandwidth (MHz)	Results
Lowest	1921.536	26 dB down	1.52	Pass
Middle	1924.992	20 dB down	1.29	Pass
Highest	1928.448	26 dB down	1.51	Pass

##### Ib. Base unit - Dummy Carrier

Channel	Channel Frequency (MHz)	Measuring Signal Level	Measured Emission Bandwidth (MHz)	Results
Lowest	1921.536	26 dB down	1.44	Pass
Middle	1924.992	20 dB down	1.23	Pass
Highest	1928.448	26 dB down	1.44	Pass

##### II. Handset - Traffic Carrier

Channel	Channel Frequency (MHz)	Measuring Signal Level	Measured Emission Bandwidth (MHz)	Results
Lowest	1921.536	26 dB down	1.52	Pass
Middle	1924.992	20 dB down	1.28	Pass
Highest	1928.448	26 dB down	1.52	Pass

The plots of emission bandwidth and occupied bandwidth and test frequency are saved as filename: bw.pdf

## INTERTEK TESTING SERVICES

---

Company: Lifeline Systems Inc.  
Model: DT1000

Date of Test: March 23-April 17, 2009

#### 4.4 Directional Gain of the Antenna, FCC Rule FCC 15.319(e) / RSS-213 Clause 4.1(e):

The peak transmit power shall be reduced by the amount in dB that the maximum directional gain of the antenna exceeds 3 dBi.

The requirements are made in accordance with ANSI C63.17 sub-clause 4.3.1 / RSS-213 Clause 4.1(e).

Manufacturer declares that the directional gain of the antenna is less than or equal to 3dBi. No peak transmit power reduction is required.

Manufacturer declares that the directional gain of the antenna is greater than 3dBi. The peak transmit power shall be reduced by \_\_\_\_\_ dB.

## INTERTEK TESTING SERVICES

---

Company: Lifeline Systems Inc.  
Model: DT1000

Date of Test: March 23-April 17, 2009

### 4.5 Peak Transmit Power, FCC Rule 15.319(c) / RSS-213 Clause 6.5:

The peak transmit power ( $P_{EUT}$ ) shall not exceed  $100\mu W$  multiplied by the square root of the emission bandwidth / occupied bandwidth ( $B$ ) in Hz or  $5 \log_{10} B - 10$  dBm. The peak transmit power shall be reduced by the amount in dB that the maximum directional gain of the antenna exceeds 3 dBi.

Measurements are made in accordance with ANSI C63.17 sub-clause 6.1.2. Test setup is shown in section 3.2 Figure 3.2.1. The cable loss and/or external attenuation are included in OFFSET function of spectrum analyzer.

Calculation of Peak Transmit Power Limit ( $P_{max}$ ):

$$\begin{aligned} [\times] \quad P_{max} &= 5 \log_{10} B - 10 \text{ dBm} && \text{when } G_A \leq 3\text{dBi} \\ [ ] \quad P_{max} &= 5 \log_{10} B - 10 \text{ dBm} - (G_A - 3\text{dBi}) && \text{when } G_A > 3\text{dBi} \end{aligned}$$

Where  $G_A$  = EUT Antenna Gain: 1 dBi for Base Unit  
           = EUT Antenna Gain: 1 dBi for Handset  
           = EUT Antenna Gain: 1 dBi for Voice Extension Unit  
 $B$  = Measured Emission Bandwidth / Occupied Bandwidth

Test Results:

#### 1a. Base unit - Traffic Carrier

Channel	Channel Frequency (MHz)	Measured Peak Transmit Power (dBm)	Limit (dBm)	Results
Lowest	1921.536	19.20	20.91	Pass
Middle	1924.992	18.98	20.55	Pass
Highest	1928.448	18.95	20.89	Pass

#### 1b. Base unit - Dummy Carrier

Channel	Channel Frequency (MHz)	Measured Peak Transmit Power (dBm)	Limit (dBm)	Results
Lowest	1921.536	19.20	20.79	Pass
Middle	1924.992	19.01	20.45	Pass
Highest	1928.448	19.01	20.79	Pass

## INTERTEK TESTING SERVICES

Company: Lifeline Systems Inc.  
Model: DT1000

Date of Test: March 23-April 17, 2009

### 4.5 Peak Transmit Power, FCC Rule 15.319(c) / RSS-213 Clause 6.5: - Continued

#### II. Handset - Traffic Carrier

Channel	Channel Frequency (MHz)	Measured Peak Transmit Power (dBm)	Limit (dBm)	Results
Lowest	1921.536	18.81	20.91	Pass
Middle	1924.992	18.84	20.54	Pass
Highest	1928.448	18.81	20.91	Pass

The plots of peak transmit power are saved as filename: peaktp.pdf

### 4.6 Power Spectral Density, FCC Rule 15.319(d) / RSS-213 Clause 6.6:

Power spectral density shall not exceed 3 mW (4.8dBm) in any 3 kHz bandwidth as measured with a spectrum analyzer having a resolution bandwidth of 3 kHz.

Measurements are made in accordance with ANSI C63.17 sub-clause 6.1.5. Test setup is shown in section 3.2 Figure 3.2.1.

#### Test Results:

##### la. Base unit - Traffic Carrier

Channel	Channel Frequency (MHz)	Measured Power Spectral Density (dBm/3kHz)	Limit (dBm/3 kHz)	Results
Lowest	1921.536	-8.2	4.8	Pass
Middle	1924.992	-12.3	4.8	Pass
Highest	1928.448	-14.0	4.8	Pass

##### Ib. Base unit - Dummy Carrier

Channel	Channel Frequency (MHz)	Measured Power Spectral Density (dBm/3kHz)	Limit (dBm/3 kHz)	Results
Lowest	1921.536	-12.0	4.8	Pass
Middle	1924.992	-11.9	4.8	Pass
Highest	1928.448	-11.7	4.8	Pass

## INTERTEK TESTING SERVICES

Company: Lifeline Systems Inc.  
Model: DT1000

Date of Test: March 23-April 17, 2009

### 4.6 Power Spectral Density, FCC Rule 15.319(d) / RSS-213 Clause 6.6: - Continued

#### II. Handset - Traffic Carrier

Channel	Channel Frequency (MHz)	Measured Power Spectral Density (dBm/3kHz)	Limit (dBm/3 kHz)	Results
Lowest	1921.536	-10.7	4.8	Pass
Middle	1924.992	-6.5	4.8	Pass
Highest	1928.448	-10.6	4.8	Pass

#### III. Voice Extension Unit - Traffic Carrier

Channel	Channel Frequency (MHz)	Measured Power Spectral Density (dBm/3kHz)	Limit (dBm/3 kHz)	Results
Lowest	1921.536	-3.3	4.8	Pass
Middle	1924.992	-3.4	4.8	Pass
Highest	1928.448	-3.7	4.8	Pass

The plots of the power spectral density are saved as filename: psd.pdf

### 4.7 Automatic Discontinuation of Transmission, FCC Rule 15.319(f) / RSS-213 Clause 4.3.4(a):

The EUT shall automatically discontinue transmission in case of either absence of information to transmit or operational failure. These provisions are not intended to preclude transmission of control and signaling information or use of repetitive codes used by certain digital technologies to complete frame or burst intervals.

The manufacturer declares that the EUT can automatically discontinue transmission in case of either absent information to transmit or operational failure. Please refer to the declaration letter (declaration.pdf) for details.

## INTERTEK TESTING SERVICES

---

Company: Lifeline Systems Inc.  
Model: DT1000

Date of Test: March 23-April 17, 2009

### 4.8 Unwanted Emission Inside the Sub-Band, FCC Rule 15.323(d) / RSS-213 Clause 6.7.2:

Emissions inside the sub-band must comply with the following emission mask:

1. In the bands between  $1B$  and  $2B$  measured from the center of the emission bandwidth, emission shall be at least 30 dB below the permitted peak transmit power.
2. In the bands between  $2B$  and  $3B$  measured from the center of the emission bandwidth, emission shall be at least 50 dB below the permitted peak transmit power.
3. In the bands between  $3B$  and the band edge, emission shall be at least 60 dB below the permitted peak transmit power.

Where  $B$  = emission bandwidth or occupied bandwidth in Hz

Measurements are made in accordance with ANSI C63.17 sub-clause 6.1.6.1. Test setup is shown in section 3.2 Figure 3.2.1.

#### Test Results:

##### la. Base unit - Traffic Carrier

Channel	Channel Frequency (MHz)	Results
Lowest	1921.536	Pass
Middle	1924.992	Pass
Highest	1928.448	Pass

##### Ib. Base unit - Dummy Carrier

Channel	Channel Frequency (MHz)	Results
Lowest	1921.536	Pass
Middle	1924.992	Pass
Highest	1928.448	Pass

## INTERTEK TESTING SERVICES

---

Company: Lifeline Systems Inc.  
Model: DT1000

Date of Test: March 23-April 17, 2009

### 4.8 Unwanted Emission Inside the Sub-Band, FCC Rule 15.323(d) / RSS-213 Clause 6.7.2: - Continued

#### II. Handset - Traffic Carrier

Channel	Channel Frequency (MHz)	Results
Lowest	1921.536	Pass
Middle	1924.992	Pass
Highest	1928.448	Pass

#### III. Voice Extension Unit - Traffic Carrier

Channel	Channel Frequency (MHz)	Results
Lowest	1921.536	Pass
Middle	1924.992	Pass
Highest	1928.448	Pass

The plots of the unwanted emission inside the sub-band are saved as filename:  
inband.pdf



## INTERTEK TESTING SERVICES

---

Company: Lifeline Systems Inc.  
Model: DT1000

Date of Test: March 23-April 17, 2009

### 4.9 Emissions Outside the Sub-Band, FCC Rule 15.323(d) / RSS-213 Clause 6.7.1:

Emissions outside the sub-band shall be attenuated below a reference power of 112 mW (20.5 dBm) as follows:

1. 30 dB between the band edge and 1.25 MHz above or below the band;
2. 50 dB between 1.25 and 2.5 MHz above or below the band; and
3. 60 dB at 2.5 MHz or greater above or below the band, or shall meet the requirement of FCC Rule 15.319(g) which shall not exceed the limits of FCC Rule 15.209 / RSS-210 Clause 2.6.

Example: Calculation of Limit for emissions between the band edge and 1.25 MHz (1920.000 – 1918.750 MHz)

The emissions shall not exceed the Limit: 20.5 dBm – 30 dB = -9.5 dBm

Measurements are made in accordance with ANSI C63.17 sub-clause 6.1.6.2. As EUT has non-detachable antenna(s), radiated emissions test method is used for out-of-band emissions tests. Emissions that are directly caused by digital circuits in the transmit path and transmitter portion are measured. Test setup and procedures are described in section 3.2 Figure 3.2.1.

### Test Results:

Channel	Carrier Frequency (MHz)	Measured Band (MHz)	Limit (dBm)	Results
Lowest	1921.536	1920.000 - 1918.750	-9.5	Pass
		1918.750 - 1917.500	-29.5	Pass
		0.009 - 1917.500 & 1932.500 - 19300.000	-39.5 / RSS-210 Clause 2.6	Pass
Highest	1928.448	1930.000 - 1931.250	-9.5	Pass
		1931.250 - 1932.500	-29.5	Pass
		0.009 – 1917.500 & 1932.500 - 19300.000	-39.5 / RSS-210 Clause 2.6	Pass

Please refer to the section 4.9.1 to 4.9.4 for more details.

## INTERTEK TESTING SERVICES

---

Company: Lifeline Systems Inc.

Date of Test: March 23-April 17, 2009

Model: DT1000

Mode: Transmission

### 4.9.1 Radiated Emissions Configuration Photographs:

Worst Case Radiated Emission  
at

Base Unit: 3856.896 MHz

Handset: 3843.072 MHz

Voice Extension Unit: 3856.896 MHz

The worst case radiated emission configuration photographs are saved as filename:  
config photos.pdf

### 4.9.2 Radiated Emissions Data:

Data are included of the worst case configuration (the configuration which resulted in the highest emission levels). A sample calculation, configuration photographs and data tables of the emissions are included. All measurements were performed with peak detection unless otherwise specified.

The data in table 1-9 list the significant emission frequencies, the limit and the margin of compliance.

Judgement:

Base Unit - Passed by 4.1 dB margin

Handset - Passed by 2.9 dB margin

Voice Extension Unit – Passed by 2.5 dB margin

## INTERTEK TESTING SERVICES

---

Company: Lifeline Systems Inc.

Date of Test: March 23-April 17, 2009

Model: DT1000

Mode: Transmission

Table 1, Base Unit

**Radiated Emissions Data  
Pursuant To FCC Part 15 Section 15.323 (d) / RSS-213 Clause 6.7.1  
Emissions Requirements**

Lowest Channel

Polarization	Frequency (MHz)	Measured Power (dBm)	Power Limit (dBm)	Margin (dB)
V	1917.106	-52.0	-39.5	-12.5
V	1918.385	-49.3	-29.5	-19.8
V	1919.027	-43.6	-9.5	-34.1
V	3856.896	-43.6	-39.5	-4.1
H	5785.344	-47.3	-39.5	-7.8
H	7713.792	-48.8	-39.5	-9.3
H	9642.240	-49.8	-39.5	-10.3

NOTES:

1. Peak detector is used for the emission measurement.
2. All measurements were made at 3 meters.
3. Negative value in the margin column shows emission below limit.

---

## INTERTEK TESTING SERVICES

---

Company: Lifeline Systems Inc.  
Model: DT1000  
Mode: Transmission

Date of Test: March 23-April 17, 2009

Table 2, Base Unit

**Radiated Emissions Data  
Pursuant To FCC Part 15 Section 15.323 (d) / RSS-213 Clause 6.7.1  
Emissions Requirements**

Highest Channel

Polarization	Frequency (MHz)	Measured Power (dBm)	Power Limit (dBm)	Margin (dB)
H	1930.014	-45.0	-9.5	-35.5
H	1931.263	-48.8	-29.5	-19.3
H	1933.086	-52.6	-39.5	-13.1
V	3856.896	-43.6	-39.5	-4.1
H	5785.344	-47.3	-39.5	-7.8
H	7713.792	-48.8	-39.5	-9.3
H	9642.240	-49.8	-39.5	-10.3

NOTES:

1. Peak detector is used for the emission measurement.
2. All measurements were made at 3 meters.
3. Negative value in the margin column shows emission below limit.

---

## INTERTEK TESTING SERVICES

---

Company: Lifeline Systems Inc.  
Model: DT1000  
Mode: Talk

Date of Test: March 23-April 17, 2009

Table 3, Base Unit

**Radiated Emissions Data  
Pursuant To FCC Part 15 Section 15.323 (d) / RSS-213 Clause 6.7.1  
Emissions Requirements**

Polarization	Frequency (MHz)	Measured Power (dBm)	Power Limit (dBm)	Margin (dB)
V	55.300	-63.5	-39.5	-24.0
V	110.600	-63.3	-39.5	-23.8
H	165.900	-63.2	-39.5	-23.7
H	221.200	-64.8	-39.5	-25.3
H	276.500	-64.9	-39.5	-25.4
H	331.800	-66.8	-39.5	-27.3

NOTES:

1. Peak detector is used for the emission measurement.
2. All measurements were made at 3 meters.
3. Negative value in the margin column shows emission below limit.

---

## INTERTEK TESTING SERVICES

---

Company: Lifeline Systems Inc.  
Model: DT1000  
Mode: Transmission

Date of Test: March 23-April 17, 2009

Table 4, Handset

**Radiated Emissions Data  
Pursuant To FCC Part 15 Section 15.323 (d) / RSS-213 Clause 6.7.1  
Emissions Requirements**

Lowest Channel

Polarization	Frequency (MHz)	Measured Power (dBm)	Power Limit (dBm)	Margin (dB)
V	1919.027	-43.6	-9.5	-34.1
V	1918.385	-49.3	-29.5	-19.8
V	1917.106	-52.0	-39.5	-12.5
H	3843.072	-42.4	-39.5	-2.9
H	5764.608	-46.8	-39.5	-7.3
H	7686.144	-47.7	-39.5	-8.2
H	9607.680	-49.4	-39.5	-9.9

NOTES:

1. Peak detector is used for the emission measurement.
2. All measurements were made at 3 meters.
3. Negative value in the margin column shows emission below limit.

---

## INTERTEK TESTING SERVICES

---

Company: Lifeline Systems Inc.  
Model: DT1000  
Mode: Transmission

Date of Test: March 23-April 17, 2009

Table 5, Handset

**Radiated Emissions Data  
Pursuant To FCC Part 15 Section 15.323 (d) / RSS-213 Clause 6.7.1  
Emissions Requirements**

Highest Channel

Polarization	Frequency (MHz)	Measured Power (dBm)	Power Limit (dBm)	Margin (dB)
V	1930.015	-43.4	-9.5	-33.9
V	1931.264	-48.3	-29.5	-18.8
V	1933.089	-52.1	-39.5	-12.6
H	3856.896	-42.6	-39.5	-3.1
H	5785.344	-46.6	-39.5	-7.1
H	7713.792	-47.6	-39.5	-8.1
H	9642.240	-49.3	-39.5	-9.8

NOTES:

1. Peak detector is used for the emission measurement.
2. All measurements were made at 3 meters.
3. Negative value in the margin column shows emission below limit.

---

## INTERTEK TESTING SERVICES

---

Company: Lifeline Systems Inc.

Date of Test: March 23-April 17, 2009

Model: DT1000

Mode: Talk

Table 6, Handset

**Radiated Emissions Data  
Pursuant To FCC Part 15 Section 15.323 (d) / RSS-213 Clause 6.7.1  
Emissions Requirements**

Polarization	Frequency (MHz)	Measured Power (dBm)	Power Limit (dBm)	Margin (dB)
V	55.300	-63.8	-39.5	-24.3
V	110.600	-63.3	-39.5	-23.8
H	165.900	-63.2	-39.5	-23.7
H	221.200	-63.9	-39.5	-24.4
H	276.500	-64.2	-39.5	-24.7
H	331.800	-64.8	-39.5	-25.3

NOTES:

1. Peak detector is used for the emission measurement.
2. All measurements were made at 3 meters.
3. Negative value in the margin column shows emission below limit.



---

## INTERTEK TESTING SERVICES

---

Company: Lifeline Systems Inc.  
Model: DT1000  
Mode: Transmission

Date of Test: March 23-April 17, 2009

Table 7, Voice Extension Unit

**Radiated Emissions Data  
Pursuant To FCC Part 15 Section 15.323 (d) / RSS-213 Clause 6.7.1  
Emissions Requirements**

Lowest Channel

Polarization	Frequency (MHz)	Measured Power (dBm)	Power Limit (dBm)	Margin (dB)
H	1917.102	-52.3	-39.5	-12.8
H	1918.382	-48.4	-29.5	-18.9
H	1919.029	-44.3	-9.5	-34.8
H	3843.072	-42.2	-39.5	-2.7
H	5764.608	-46.2	-39.5	-6.7
H	7686.144	-43.8	-39.5	-4.3
H	9607.680	-47.9	-39.5	-8.4
H	11529.216	-48.4	-39.5	-8.9

NOTES:

1. Peak detector is used for the emission measurement.
2. All measurements were made at 3 meters.
3. Negative value in the margin column shows emission below limit.

---

## INTERTEK TESTING SERVICES

---

Company: Lifeline Systems Inc.  
Model: DT1000  
Mode: Transmission

Date of Test: March 23-April 17, 2009

Table 8, Voice Extension Unit

**Radiated Emissions Data  
Pursuant To FCC Part 15 Section 15.323 (d) / RSS-213 Clause 6.7.1  
Emissions Requirements**

Highest Channel

Polarization	Frequency (MHz)	Measured Power (dBm)	Power Limit (dBm)	Margin (dB)
H	1930.014	-43.8	-9.5	-34.3
H	1931.264	-49.0	-29.5	-19.5
H	1933.089	-51.8	-39.5	-12.3
H	3856.896	-42.0	-39.5	-2.5
H	5785.344	-46.8	-39.5	-7.3
H	7713.792	-42.6	-39.5	-3.1
H	9642.240	-48.0	-39.5	-8.5
H	11570.688	-48.3	-39.5	-8.8

NOTES:

1. Peak detector is used for the emission measurement.
2. All measurements were made at 3 meters.
3. Negative value in the margin column shows emission below limit.

---

## INTERTEK TESTING SERVICES

---

Company: Lifeline Systems Inc.

Date of Test: March 23-April 17, 2009

Model: DT1000

Mode: Talk

Table 9, Voice Extension Unit

**Radiated Emissions Data  
Pursuant To FCC Part 15 Section 15.323 (d) / RSS-213 Clause 6.7.1  
Emissions Requirements**

Polarization	Frequency (MHz)	Measured Power (dBm)	Power Limit (dBm)	Margin (dB)
V	55.300	-64.0	-39.5	-24.5
V	110.600	-63.4	-39.5	-23.9
H	165.900	-63.2	-39.5	-23.7
H	221.200	-63.6	-39.5	-24.1
H	276.500	-64.5	-39.5	-25.0
H	331.800	-65.4	-39.5	-25.9

NOTES:

1. Peak detector is used for the emission measurement.
2. All measurements were made at 3 meters.
3. Negative value in the margin column shows emission below limit.

---

## INTERTEK TESTING SERVICES

---

Company: Lifeline Systems Inc.  
Model: DT1000

Date of Test: March 23-April 17, 2009

### 4.9.3 Field Strength Calculation

The field strength is calculated by adding the reading on the Spectrum Analyzer to the factors associated with preamplifiers (if any), antennas, cables, pulse desensitization and average factors (when specified limit is in average and measurements are made with peak detectors). A sample calculation is included below.

$$FS = RA + AF + CF - AG + PD + AV$$

Where

- FS = Field Strength in dB $\mu$ V/m
- RA = Receiver Amplitude (including preamplifier) in dB $\mu$ V
- CF = Cable Attenuation Factor in dB
- AF = Antenna Factor in dB
- AG = Amplifier Gain in dB
- PD = Pulse Desensitization in dB
- AV = Average Factor in -dB

In the radiated emission table which follows, the reading shown on the data table may reflect the preamplifier gain. An example of the calculations, where the reading does not reflect the preamplifier gain, follows:

$$FS = RA + AF + CF - AG + PD + AV$$

#### Example

Assume a receiver reading of 62.0 dB $\mu$ V is obtained. The antenna factor of 7.4 dB and cable factor of 1.6 dB is added. The amplifier gain of 29.0 dB is subtracted. The pulse desensitization factor of the spectrum analyzer is 0.0 dB, and the resultant average factor is -10.0 dB. The net field strength for comparison to the appropriate emission limit is 32.0 dB $\mu$ V/m. This value in dB $\mu$ V/m is converted to its corresponding level in  $\mu$ V/m.

RA = 62.0 dB $\mu$ V  
AF = 7.4 dB  
CF = 1.6 dB  
AG = 29.0 dB  
PD = 0.0 dB  
AV = -10 dB

$$FS = 62.0 + 7.4 + 1.6 - 29.0 + 0.0 + (-10.0) = 32.0 \text{ dB}\mu\text{V/m}$$

$$\text{Level in } \mu\text{V/m} = \text{Common Antilogarithm} [(32.0 \text{ dB}\mu\text{V/m})/20] = 39.8 \mu\text{V/m}$$

## INTERTEK TESTING SERVICES

---

Company: Lifeline Systems Inc.  
Model: DT1000

Date of Test: March 23-April 17, 2009

### 4.9.4 Average Factor Calculation and Transmitter ON Time Measurements, FCC Rule 15.35(b, c) / RSS-Gen cl 4.5

- The EUT antenna output port was connected to the input of the spectrum analyzer. The analyzer center frequency was set to EUT RF channel carrier. The SPAN function on the analyzer was set to ZERO. The transmitter ON time was determined from the resultant time-amplitude display:

Please refer to the attached plots for more details:

The plots of Transmitter ON Time Measurements are saved as filename: txon.pdf

- Please refer to the attached transmitter timing diagram that are provided by manufacturer

- Not applicable - No average factor is required.

- Please refer to Technical Description (descri.pdf) for more details

## INTERTEK TESTING SERVICES

---

Company: Lifeline Systems Inc.  
Model: DT1000

Date of Test: March 23-April 17, 2009

### 4.10 Radiated Emissions from Receiver, RSS-213 Clause 6.8

The receiver portion is subject to the requirements of RSS-Gen Clause 7.2.3.2 and the radiated emission shall not exceed the limits of Table 1 in RSS-Gen Clause 6 (a).

Measurements are made in accordance with ANSI C63.4 sub-clause 8. Radiated emissions shall be measured with EUT operating in typical operation modes.

## INTERTEK TESTING SERVICES

---

Company: Lifeline Systems Inc.

Date of Test: March 23-April 17, 2009

Model: DT1000

Mode: Receiving

### 4.10.1 Radiated Emission Configuration Photographs:

Worst Case Radiated Emission  
at

Base Unit: 1282.752 MHz

Handset: 3848.256 MHz

Voice Extension Unit: 1282.752 and 3848.256 MHz

The worst case radiated emission configuration photographs are saved as filename: config photos.pdf.

### 4.10.2 Radiated Emissions Data:

Data are included of the worst-case configuration (the configuration which resulted in the highest emission levels). A sample calculation, configuration photographs and data tables of the emissions are included. All measurements were performed with peak detection unless otherwise specified.

The data in table 10-12 list the significant emission frequencies, the limit and the margin of compliance.

Judgement:

Base Unit: Passed by 13.4 dB margin

Handset: Passed by 13.7 dB margin

Voice Extension Unit: Passed by 13.8 dB margin

## INTERTEK TESTING SERVICES

---

Company: Lifeline Systems Inc.

Date of Test: March 23-April 17, 2009

Model: DT1000

Mode: Receiving

Table 10, Base Unit

### Radiated Emissions Data

Middle Channel

Polarization	Frequency (MHz)	Reading (dB $\mu$ V)	Pre-amp (dB)	Antenna Factor (dB)	Net at 3m (dB $\mu$ V/m)	Limit at 3m (dB $\mu$ V/m)	Margin (dB)
V	1282.752	47.5	33	26.1	40.6	54.0	-13.4
V	2565.504	38.4	33	30.4	35.8	54.0	-18.2
V	3848.256	39.9	33	33.3	40.2	54.0	-13.8
V	5131.008	36.9	33	35.7	39.6	54.0	-14.4
V	7696.512	33.5	33	38.9	39.4	54.0	-14.6
V	10262.016	30.7	33	40.5	38.2	54.0	-15.8

#### NOTES:

1. Peak detector is used for the emission measurement.
2. The resolution bandwidth of the spectrum analyzer shall be 100kHz for spurious emission measurements below 1.0GHz and 1.0MHz for measurements above 1.0GHz.
3. All measurements were made at 3 meters.
4. Negative value in the margin column shows emission below limit.



## INTERTEK TESTING SERVICES

Company: Lifeline Systems Inc.

Date of Test: March 23-April 17, 2009

Model: DT1000

Mode: Receiving

Table 11, Handset

### Radiated Emissions Data

Middle Channel

Polarization	Frequency (MHz)	Reading (dB $\mu$ V)	Pre-amp (dB)	Antenna Factor (dB)	Net at 3m (dB $\mu$ V/m)	Limit at 3m (dB $\mu$ V/m)	Margin (dB)
V	1282.752	47.1	33	26.1	40.2	54.0	-13.8
V	2565.504	41.0	33	30.4	38.4	54.0	-15.6
V	3848.256	40.0	33	33.3	40.3	54.0	-13.7
V	5131.008	36.7	33	35.7	39.4	54.0	-14.6
V	7696.512	33.3	33	38.9	39.2	54.0	-14.8
V	10262.016	30.5	33	40.5	38.0	54.0	-16.0

#### NOTES:

- 1 Peak detector is used for the emission measurement.
- 2 The resolution bandwidth of the spectrum analyzer shall be 100kHz for spurious emission measurements below 1.0GHz and 1.0MHz for measurements above 1.0GHz.
- 3 All measurements were made at 3 meters.
- 4 Negative value in the margin column shows emission below limit.

## INTERTEK TESTING SERVICES

Company: Lifeline Systems Inc.

Date of Test: March 23-April 17, 2009

Model: DT1000

Mode: Receiving

Table 12, Voice Extension Unit

### Radiated Emissions Data

Middle Channel

Polarization	Frequency (MHz)	Reading (dB $\mu$ V)	Pre-amp (dB)	Antenna Factor (dB)	Net at 3m (dB $\mu$ V/m)	Limit at 3m (dB $\mu$ V/m)	Margin (dB)
V	1282.752	47.1	33	26.1	40.2	54.0	-13.8
V	2565.504	38.2	33	30.4	35.6	54.0	-18.4
V	3848.256	39.9	33	33.3	40.2	54.0	-13.8
V	5131.008	36.9	33	35.7	39.6	54.0	-14.4
V	7696.512	33.3	33	38.9	39.2	54.0	-14.8
V	10262.016	29.9	33	40.5	37.4	54.0	-16.6

#### NOTES:

- 1 Peak detector is used for the emission measurement.
- 2 The resolution bandwidth of the spectrum analyzer shall be 100kHz for spurious emission measurements below 1.0GHz and 1.0MHz for measurements above 1.0GHz.
- 3 All measurements were made at 3 meters.
- 4 Negative value in the margin column shows emission below limit.

## INTERTEK TESTING SERVICES

---

Company: Lifeline Systems Inc.  
Model: DT1000

Date of Test: March 23-April 17, 2009

### 4.11 AC Power Line Conducted Emissions from Transmitter portion of EUT, FCC Rule 15.315 / RSS-213 Clause 6.3:

The AC power lines conducted emission shall not exceed the limits of FCC Rule 15.207 / Table 2 in RSS-Gen Clause 7.2.2.

Measurements are made in accordance with ANSI C63.4 sub-clause 7. Emissions that are directly caused by digital circuits in the transmit path and transmitter portion are measured.

Not applicable – EUT is only powered by battery for operation.

EUT connects to AC power lines. Emission Data are listed in following pages.

## INTERTEK TESTING SERVICES

---

Company: Lifeline Systems Inc.

Date of Test: March 23-April 17, 2009

Model: DT1000

Model: Talk

### 4.11.1 AC Power Line Conducted Emissions Configuration Photographs:

Worst Case AC Power Line Conducted Emission  
at

Handset: 0.338 MHz

The worst case AC power Line conducted emission configuration photographs are saved as filename: config photos.pdf

### 4.11.2 AC Power Line Conducted Emissions Data:

The data on the following pages list the significant emission frequencies, the limit, and the margin of compliance.

Judgment:

Base unit: Passed by more than 20 dB margin

Handset: Passed by 15.74 dB margin

Voice Extension Unit: Passed by more than 20 dB margin

The worst case AC power line conducted emission data are saved as filename: conduct.pdf

## INTERTEK TESTING SERVICES

---

Company: Lifeline Systems Inc.  
Model: DT1000

Date of Test: March 23-April 17, 2009

### 4.12 Radio Frequency Radiation Exposure, FCC Rule 15.319(i):

EUT is subject to the radio frequency exposure requirements specified in FCC Rule §§ 1.1307(b), 2.1091 and 2.1093. It shall be considered to operate in a “general population / uncontrolled” environment.

- [ x ] Handset unit: EUT was evaluated for Specific Absorption Rate (SAR) evaluation compliance according to OET Bulletin 65, Supplement C (Edition 01-01). It is in compliance with the SAR evaluation requirements. A SAR test report was submitted at same time and saved as SAR Report.pdf.
- [ x ] Base unit: EUT was evaluated for Maximum Permissible Exposure (MPE) evaluation compliance according to OET Bulletin 65, Supplement C (Edition 01-01). The evaluation calculation results are saved as filename: RF exposure info.pdf.
- [ x ] Voice extension unit: EUT was evaluated for Maximum Permissible Exposure (MPE) evaluation compliance according to OET Bulletin 65, Supplement C (Edition 01-01). The evaluation calculation results are saved as filename: RF exposure info.pdf.

### 4.13 Radio Frequency Exposure Compliance, RSS-102:

The Routine RF Exposure Evaluation, Routine SAR Evaluation and Declaration of RF Exposure Compliance are saved as filename: RF exposure.pdf

## INTERTEK TESTING SERVICES

---

Company: Lifeline Systems Inc.  
Model: DT1000

Date of Test: March 23-April 17, 2009

### 4.14 Frame Repetition Stability, FCC Rule 15.323(e) / RSS-213 Clause 4.3.4(c):

EUT implements Time Division Duplex (TDD) in order to support duplex connection on a given frequency carrier shall maintain a frame repetition rate whereby 3 x standard deviation of the frequency stability shall not exceed 50 ppm, not including a shift of the mean.

EUT uses Time Division Multiple Access (TDMA) in order to support multiple communication links on a given frequency carrier shall maintain a frame repetition rate whereby 3 x standard deviation of the frequency stability shall not exceed 10 ppm, not including a shift of the mean.

Measurements are made in accordance with ANSI C63.17 sub-clause 6.2.2. Test setup is shown in section 3.2 Figure 3.2.1. A spectrum analyzer measures the time duration between rising edges of two consecutive frames over a time period of at least 1000 frame periods. These measurement values are used to compute the 3 x standard deviation of the frequency stability.

### Test Results:

#### I. Base unit

Maximum Frame Repetition Stability (ppm)	Limit (ppm)	Results
0.0809	±10	Pass

#### II. Handset

Maximum Frame Repetition Stability (ppm)	Limit (ppm)	Results
<0.0001	±10	Pass

## INTERTEK TESTING SERVICES

---

Company: Lifeline Systems Inc.  
Model: DT1000

Date of Test: March 23-April 17, 2009

### 4.15 Frame Period and Jitter, FCC Rule 15.323(e) / RSS-213 Clause 4.3.4(c):

The frame period (a set of consecutive time slots in which the position of each time slot can be identified by reference to a synchronizing source) of EUT operating in these sub-bands shall be 20 ms or 10 ms/X where X is a positive whole number.

The jitter (time-related, abrupt, spurious variations in the duration of the frame interval) introduced at the two ends of such a communication link shall not exceed 25  $\mu$ s for any two consecutive transmissions. Transmissions shall be continuous in every time and spectrum window during the frame period defined for EUT.

Measurements are made in accordance with ANSI C63.17 sub-clause 6.2.3. Test setup is shown in section 3.2 Figure 3.2.1. A spectrum analyzer measures the time duration between the rising edges of two consecutive frames. The measurements are taken over 100,000 frames. These measurement values are used to compute mean value and the difference between any two consecutive frame periods. The mean value is the frame period.

### Test Results:

#### I. Base unit

Measured Maximum Jitter ( $\mu$ s)	Limit ( $\mu$ s)	Result
-0.1869	$\pm 25$	Pass

#### II. Handset

Measured Maximum Jitter ( $\mu$ s)	Limit ( $\mu$ s)	Result
-0.2831	$\pm 25$	Pass

## INTERTEK TESTING SERVICES

Company: Lifeline Systems Inc.  
Model: DT1000

Date of Test: March 23-April 17, 2009

### 4.16 Carrier Frequency Stability, FCC Rule 15.323(f) / RSS-213 Clause 6.2:

The carrier frequency stability of EUT shall be maintained within +/-10 ppm at the following conditions:

1. Over 1 hour at nominal supply voltage and a temperature of +20 °C;
2. Over a variation in the primary supply voltage of 85 % to 115 % of nominal supply voltage at a temperature of +20 °C. This test does not apply to an EUT that is only powered by battery for operation;
3. Over a temperature variation of -20 °C to +50 °C or at extreme temperatures as declared by manufacturer, and at nominal supply voltage.

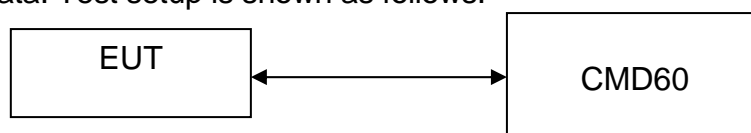
For base unit:

The nominal supply voltage: 120VAC and the extreme temperatures of -20°C to +50 °C are declared by manufacturer.

For handset:

The nominal supply voltage: 2.4VDC and the extreme temperatures of -20°C to +50 °C are/is declared by manufacturer.

Measurements are made in accordance with ANSI C63.17 sub-clause 6.2.1 The EUT and CMD60 is connected with shielded coaxial cable. The EUT is controlled by DECT Radio Communication Tester, CMD60, to use a fixed frequency channel during test as well as record the frequency offset. The transmission of EUT is in burst mode with pseudo-random data. Test setup is shown as follows.



Test Results:

#### I a. Carrier Frequency Stability over time - base unit

Supply Voltage	Temperature (°C)	Measured Frequency Offset Over an hour (ppm)		Limit (ppm)	Result
		Max.	Min.		
Nominal	+20°C	0.51	-0.53	±10	Pass

#### I b. Carrier Frequency Stability over Power Supply Voltage - base unit

Supply Voltage	Temperature (°C)	Measured Frequency Offset (ppm)	Limit (ppm)	Results
85%	+20°C	-2.09	±10	Pass
115%	+20°C	-2.09	±10	Pass



## INTERTEK TESTING SERVICES

Company: Lifeline Systems Inc.  
Model: DT1000

Date of Test: March 23-April 17, 2009

### 4.16 Carrier Frequency Stability, FCC Rule 15.323(f) / RSS-213 Clause 6.2: - Continued

#### I c. Carrier Frequency Stability over Temperature - base unit

Supply Voltage	Temperature (°C)	Measured Frequency Offset (ppm)	Limit (ppm)	Results
Nominal	-20°C	-6.24	±10	Pass
Nominal	+50°C	0.51	±10	Pass

#### II a. Carrier Frequency Stability over time - handset

Supply Voltage	Temperature (°C)	Measured Frequency Offset Over an hour (ppm)		Limit (ppm)	Result
		Max.	Min.		
Nominal	+20°C	0.11	-0.41	±10	Pass

#### II b. Carrier Frequency Stability over Power Supply Voltage - handset

Supply Voltage	Temperature (°C)	Measured Frequency Offset (ppm)	Limit (ppm)	Results
85%	+20°C	NA	±10	NA
115%	+20°C	NA	±10	NA

#### II c. Carrier Frequency Stability over Temperature - handset

Supply Voltage	Temperature (°C)	Measured Frequency Offset (ppm)	Limit (ppm)	Results
Nominal	-20°C	-8.21	±10	Pass
Nominal	+50°C	1.14	±10	Pass

## INTERTEK TESTING SERVICES

Company: Lifeline Systems Inc.  
Model: DT1000

Date of Test: March 23-April 17, 2009

### 4.17 Monitoring Threshold:

Monitoring threshold can be relaxed according to FCC Rule 15.323(c)(9) / RSS-213 Clause 4.3.4(b)(9). EUT that has a power output lower than the maximum permitted under FCC Rule 15.319(c) / RSS-213 Clause 6.5 may increase their monitoring detection threshold by one decibel for each one decibel that the transmitter power is below the maximum permitted.

Calculation of Monitoring Threshold Limit:

$$\begin{aligned} \text{Monitoring Threshold } (T) &\leq -174 + 10 \log_{10} B + M + P_{\max} - P_{\text{EUT}} \text{ dBm} \\ &\leq 15 \log_{10} B - 184 + M - P_{\text{EUT}} \text{ dBm} \end{aligned}$$

Where  $B$  = Measured Emission Bandwidth or Occupied Bandwidth of base unit - FCC:  $1.44 \times 10^6$  Hz IC:  $1.23 \times 10^6$  Hz  
 $B$  = Measured Emission Bandwidth or Occupied Bandwidth of handset - FCC:  $1.52 \times 10^6$  Hz IC:  $1.28 \times 10^6$  Hz  
 $M$  = 30 dB for Lower Monitoring Threshold ( $T_L$ ), or  
= 50 dB for Upper Monitoring Threshold ( $T_U$ )  
 $P_{\max}$  =  $5 \log_{10} B - 10$  dBm  
= Peak Transmit Power of base unit declared by manufacturer –  
 $P_{\text{EUT}}$  FCC: 19.30dBm  
Measured Peak Transmit Power of base unit – IC: 19.01dBm  
= Peak Transmit Power of handset declared by manufacturer –  
 $P_{\text{EUT}}$  FCC: 19.30dBm  
Measured Peak Transmit Power of handset – IC: 18.84dBm

Calculated Monitoring Threshold Limits:

#### I. Base unit

	FCC	IC
Lower Monitoring Threshold ( $T_L + U_M$ ) in dBm	-74.9	-75.7
Upper Monitoring Threshold ( $T_U + U_M$ ) in dBm	-54.9	-55.7

#### II. Handset

	FCC	IC
Lower Monitoring Threshold ( $T_L + U_M$ ) in dBm	-74.6	-75.2
Upper Monitoring Threshold ( $T_U + U_M$ ) in dBm	-54.6	-55.2

NA - Not applicable

## INTERTEK TESTING SERVICES

---

Company: Lifeline Systems Inc.  
Model: DT1000

Date of Test: March 23-April 17, 2009

### 4.17.1 Lower Monitoring Threshold, FCC Rule 15.323(c)(2) / RSS-213 Clause 4.3.4(b)(2):

- Not applicable – EUT which supports at least of 20 duplex system access channels and implements Least Interfered Channel (LIC) algorithm is permitted to use an upper monitoring threshold. Please refer to the section 4.17.2 for more details.
- The lower monitoring threshold must not be more than 30 dB above the thermal noise power for a bandwidth equivalent to the emission bandwidth used by EUT.

Measurements are made in accordance with ANSI C63.17 sub-clause 7.3.1. Test setup is shown in section 3.3 Figure 3.3.1. The test is performed on the carrier closest to center of the band. RF signal generators apply uniform CW interference on all EUT carriers each at level  $T_L + U_M + 10$  dB. Then, the interference level is reduced uniformly on all carriers until the EUT can transmit. The interference level shall be lower than or equal to the threshold limit.

#### Test Results:

##### I. Base unit

Measured Maximum Interference Level (dBm)	Lower Monitoring Threshold Limit (dBm) ( $T_L + U_M$ )		Results
	FCC	IC	
NA	-74.9	-75.7	NA

##### II. Handset

Measured Maximum Interference Level (dBm)	Lower Monitoring Threshold Limit (dBm) ( $T_L + U_M$ )		Results
	FCC	IC	
NA	-74.6	-75.2	NA

NA - Not applicable

## INTERTEK TESTING SERVICES

---

Company: Lifeline Systems Inc.  
Model: DT1000

Date of Test: March 23-April 17, 2009

### 4.17.2 Least Interfered Channel, LIC, FCC Rule 15.323(c)(5) / RSS-213 Clause 4.3.4(b)(5):

[ ] Not implemented – EUT met lower monitoring threshold requirements. Please refer to the section 4.19.1 for more details

[ x ] If access to spectrum is not available as determined by section 4.17.1 and a minimum of 20 duplex system access channels are defined for the EUT, the time and spectrum windows with the lowest power level below a monitoring threshold of 50 dB above the thermal noise power determined for the emission bandwidth may be accessed

Number of duplex channels per frequency channel	=	<u>12</u>
Number of frequency channel	=	<u>5</u>
Total Duplex Channels	=	<u>60</u>

Hence, the time and spectrum windows below upper monitoring threshold may be accessed.

### 4.17.2.1 Upper Monitoring Threshold, FCC Rule 15.323(c)(5) / RSS-213 Clause 4.3.4(b)(5):

Measurements are made in accordance with ANSI C63.17 sub-clause 7.3.2. Test setup is shown in section 3.3 Figure 3.3.1. The test is performed on the carrier closest to center of the band. RF signal generators apply uniform CW interference on all EUT carriers each at level  $T_U + U_M + 10$  dB. Then, the interference level is reduced uniformly on all carriers until the EUT can transmit. The interference level shall be lower than or equal to the threshold limit.

#### Test Results:

##### I. Base unit

Measured Maximum Interference Level (dBm)	Upper Monitoring Threshold Limit (dBm) ( $T_U + U_M$ )		Results
	FCC	IC	
-65.9	-54.9	-55.7	Pass

## INTERTEK TESTING SERVICES

---

Company: Lifeline Systems Inc.  
Model: DT1000

Date of Test: March 23-April 17, 2009

### 4.17.2.1 Upper Monitoring Threshold, FCC Rule 15.323(c)(5) / RSS-213 Clause 4.3.4(b)(5): - Continued

#### II. Handset

Measured Maximum Interference Level (dBm)	Upper Monitoring Threshold Limit (dBm) ( $T_U + U_M$ )		Results
	FCC	IC	
-70.0	-54.6	-55.2	Pass

NA - Not applicable

### 4.17.2.2 Least Interfered Channel (LIC) Selection, FCC Rule 15.323(c)(5) / RSS-213 Clause 4.3.4(b)(5):

The criteria are specified in section 4.17.2. In addition, the power measurement resolution for this comparison must be accurate to within 6 dB.

Measurements are made in accordance with ANSI C63.17 sub-clause 7.3.3. Test setup is shown in section 3.3 Figure 3.3.1. RF signal generators apply uniform CW interference on all EUT carriers except two carriers (designated  $f_1$  and  $f_2$ ), each at level  $T_U + U_M$ . EUT can only transmit on these two carriers.

## INTERTEK TESTING SERVICES

Company: Lifeline Systems Inc.  
Model: DT1000

Date of Test: March 23-April 17, 2009

### 4.17.2.2 Least Interfered Channel (LIC) Selection, FCC Rule 15.323(c)(5) / RSS-213 Clause 4.3.4(b)(5): - Continued

#### Test Descriptions and Results:

##### I. LIC Procedure - Base unit

	Test Descriptions	EUT transmits on	Results
1	Apply interference on $f_1$ at level $T_L + U_M + 7$ dB. Apply interference on $f_2$ at level $T_L + U_M$ . Initiate transmission. Verify transmission on $f_2$ . Terminate transmission. Repeat 5 times.	$f_2$	Pass
2	Apply interference on $f_1$ at level $T_L + U_M$ . Apply interference on $f_2$ at level $T_L + U_M + 7$ dB. Initiate transmission. Verify transmission on $f_1$ . Terminate transmission. Repeat 5 times.	$f_1$	Pass
3	Apply interference on $f_1$ at level $T_L + U_M + 1$ dB. Apply interference on $f_2$ at level $T_L + U_M - 6$ dB. Initiate transmission. Verify transmission on $f_2$ . Terminate transmission. Repeat 5 times.	$f_2$	Pass
4	Apply interference on $f_1$ at level $T_L + U_M - 6$ dB. Apply interference on $f_2$ at level $T_L + U_M + 1$ dB. Initiate transmission. Verify transmission on $f_1$ . Terminate transmission. Repeat 5 times.	$f_1$	Pass

## INTERTEK TESTING SERVICES

Company: Lifeline Systems Inc.  
Model: DT1000

Date of Test: March 23-April 17, 2009

### 4.17.2.2 Least Interfered Channel (LIC) Selection, FCC Rule 15.323(c)(5) / RSS-213 Clause 4.3.4(b)(5): - Continued

Test Descriptions and Results:

#### II. LIC Procedure - Handset

	Test Descriptions	EUT transmits on	Results
1	Apply interference on $f_1$ at level $T_L + U_M + 7$ dB. Apply interference on $f_2$ at level $T_L + U_M$ . Initiate transmission. Verify transmission on $f_2$ . Terminate transmission. Repeat 5 times.	$f_2$	Pass
2	Apply interference on $f_1$ at level $T_L + U_M$ . Apply interference on $f_2$ at level $T_L + U_M + 7$ dB. Initiate transmission. Verify transmission on $f_1$ . Terminate transmission. Repeat 5 times.	$f_1$	Pass
3	Apply interference on $f_1$ at level $T_L + U_M + 1$ dB. Apply interference on $f_2$ at level $T_L + U_M - 6$ dB. Initiate transmission. Verify transmission on $f_2$ . Terminate transmission. Repeat 5 times.	$f_2$	Pass
4	Apply interference on $f_1$ at level $T_L + U_M - 6$ dB. Apply interference on $f_2$ at level $T_L + U_M + 1$ dB. Initiate transmission. Verify transmission on $f_1$ . Terminate transmission. Repeat 5 times.	$f_1$	Pass

NA - Not applicable

## INTERTEK TESTING SERVICES

---

Company: Lifeline Systems Inc.  
Model: DT1000

Date of Test: March 23-April 17, 2009

### 4.17.2.3 Least Interfered Channel (LIC) Confirmation, FCC Rule 15.323(c)(5) / RSS-213 Clause 4.3.4(b)(5):

EUT utilizing the provision of FCC Rule 15.323(c)(5) / RSS-213 Clause 4.3.4(b)(5) must have monitored all access channels defined for its system within the last 10 s and must verify, within the 20 ms (40 ms for EUT designed to use a 20 ms frame period) immediately preceding actual channel access that the detected power of the selected time and spectrum windows is no higher than the previously detected value.

Measurements are made in accordance with ANSI C63.17 sub-clause 7.3.4. This test is performed in section 4.18 and 4.19.

Results:

The tests are reported in section 4.18 and 4.19.

### 4.17.2.4 Maximum Spectrum Occupancy, FCC Rule 15.323(c)(5) / RSS-213 Clause 4.3.4(b)(5):

No EUT or group of co-operating EUTs located within 1 meter of each other shall during any frame period occupy more than 6 MHz of aggregate bandwidth, or alternatively, more than one third of the time and spectrum windows defined by the EUT.

Attestation:

According to the technical description provided, the total number of the time and spectrum windows defined by the system is  $5 \times 12 = 60$ .

During any frame period, the maximum number of time and spectrum windows occupied by the system will be 12, which is less than one third of the time and spectrum windows defined by the system.



## INTERTEK TESTING SERVICES

---

Company: Lifeline Systems Inc.  
Model: DT1000

Date of Test: March 23-April 17, 2009

### 4.18 Monitoring Time, FCC Rule 15.323(c)(1) / RSS-213 Clause 4.3.4(b)(1):

Immediately prior to initiating transmission, EUT must monitor the combined time and spectrum windows in which they intend to transmit for a period of at least 10 ms for EUT designed to use a 10 ms or shorter frame period, or at least 20 ms for EUT designed to use a 20 ms frame period.

Measurements are made in accordance with ANSI C63.17 sub-clause 7.3.4. Test setup is shown in section 3.3 Figure 3.3.1. RF signal generators apply uniform CW interference on all system carriers except two carriers (designated  $f_1$  and  $f_2$ ), each at level  $T_U + U_M$ . EUT can only transmit on these two carriers.

### Test Descriptions and Results:

#### I. Base unit

	Test Descriptions	EUT transmits on	Results
1	Apply interference on $f_1$ at level $T_U + U_M$ , and no interference on $f_2$ . Initiate transmission. Verify transmission on $f_2$ . Then, terminate transmission.	$f_2$	Pass
2	Apply interference on $f_2$ at level $T_U + U_M$ , and remove interference from $f_1$ immediately. Also immediately initiate transmission but is at least 20 ms after interference on $f_2$ is applied. Verify transmission on $f_1$ .	$f_1$	Pass

#### II. Handset

	Test Descriptions	EUT transmits on	Results
1	Apply interference on $f_1$ at level $T_U + U_M$ , and no interference on $f_2$ . Initiate transmission. Verify transmission on $f_2$ . Then, terminate transmission.	$f_2$	Pass
2	Apply interference on $f_2$ at level $T_U + U_M$ , and remove interference from $f_1$ immediately. Also immediately initiate transmission but is at least 20 ms after interference on $f_2$ is applied. Verify transmission on $f_1$ .	$f_1$	Pass

## INTERTEK TESTING SERVICES

Company: Lifeline Systems Inc.  
Model: DT1000

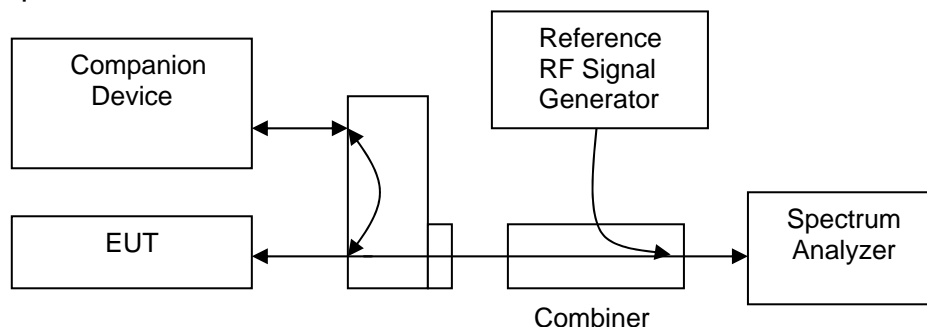
Date of Test: March 23-April 17, 2009

### 4.19 Maximum Transmit Period, FCC Rule 15.323(c)(3) / RSS-213 Clause 4.3.4(b)(3):

If no signal above the threshold level is detected, transmission may commence and continue with the same emission bandwidth in the monitored time and spectrum windows without further monitoring. However, occupation of the same combined time and spectrum windows by a EUT or group of co-operating EUTs continuously over a period of time longer than 8 hours is not permitted without repeating the access criteria.

EUT establishes a communication channel with its companion device, which occupies the duplex pair combined time and spectrum windows. Reference RF signal generator synchronized with the sample and then generated a pulse as a time frame reference. The centre frequency of spectrum analyzer was set to the carrier frequency and the SPAN was set to ZERO. The spectrum analyzer was used to monitor the time (reference to the time signal) and spectrum of the communication channel. The occupied time or spectrum of the communication channel shall be changed over a period of time no longer than 8 hours. For a EUT with a frame period of 10/X ms, no more than 2,880,000 X frames should be transmitted without a break.

Test setup is shown as follows:



Test Results:

#### I. Base unit

Measured Maximum Transmission Duration (minutes)	Limit (minutes)	Results
55	480	Pass

#### II. Handset

Measured Maximum Transmission Duration (minutes)	Limit (minutes)	Results
55	480	Pass

## INTERTEK TESTING SERVICES

---

Company: Lifeline Systems Inc.  
Model: DT1000

Date of Test: March 23-April 17, 2009

### 4.20 System Acknowledgement, FCC Rule 15.323(c)(4) / RSS-213 Clause 4.3.4(b)(4):

Once access to specific combined time and spectrum windows is obtained an acknowledgment from a system participant must be received by the initiating transmitter within one second or transmission must cease. Periodic acknowledgments must be received at least every 30 seconds or transmission must cease. Channels used exclusively for control and signaling information may transmit continuously for 30 seconds without receiving an acknowledgment, at which time the access criteria must be repeated.

Measurements are made in accordance with ANSI C63.17 sub-clause 8.1.1 and 8.2.1. Test setup is shown in section 3.3 Figure 3.3.1.

#### Test Results:

##### I. Base Unit

[ x ] Timing for EUTs using control and signaling channel type transmissions:

Conditions	Transmission Duration (seconds)	Limit (seconds)	Results
Time needed to repeat access criteria	5.12	30	Pass

[ x ] Timing for EUTs using communications channel type transmissions:

Conditions	Transmission Duration (seconds)	Limit (seconds)	Results
Activate EUT w/ companion device off	0	1	NA
Time needed to cease Traffic Channel	5.0	30	Pass

NA - Not applicable

## INTERTEK TESTING SERVICES

---

Company: Lifeline Systems Inc.  
Model: DT1000

Date of Test: March 23-April 17, 2009

4.20 System Acknowledgement, FCC Rule 15.323(c)(4) /  
RSS-213 Clause 4.3.4(b)(4): - Continued

### II. Handset

Timing for EUTs using control and signaling channel type transmissions:

Conditions	Transmission Duration (seconds)	Limit (seconds)	Results
Time needed to repeat access criteria	NA	30	NA

Timing for EUTs using communications channel type transmissions:

Conditions	Transmission Duration (seconds)	Limit (seconds)	Results
Activate EUT w/ companion device off	0	1	Pass
Time needed to cease Traffic Channel	5.12	30	Pass

NA - Not applicable

## INTERTEK TESTING SERVICES

---

Company: Lifeline Systems Inc.  
 Model: DT1000

Date of Test: March 23-April 17, 2009

### 4.21 Random Waiting, FCC Rule 15.323(c)(6) / RSS-213 Clause 4.3.4(b)(6):

If the selected combined time and spectrum windows are unavailable, the EUT may either monitor and select different windows or seek to use the same windows after waiting an amount of time, randomly chosen from a uniform random distribution between 10 and 150 ms, commencing when the channel becomes available.

Measurements are made in accordance with ANSI C63.17 sub-clause 8.1.2 or 8.1.3. Test setup is shown in section 3.3 Figure 3.3.1.

#### Test Results:

##### I. Base unit

Random Waiting is not implemented in the EUT:

Conditions	Transmit Channel	Results
Interference applied at operating Channel, $f_1$	$f_2$	Pass

Random Waiting is implemented in the EUT:

Maximum time interval from the end of interference to the start of the control channel	The distribution of the measured time intervals	Results
NA	NA	NA

##### II. Handset

Random Waiting is not implemented in the EUT:

Conditions	Transmit Channel	Results
Interference applied at operating Channel, $f_1$	NA	NA

Random Waiting is implemented in the EUT:

Maximum time interval from the end of interference to the start of the control channel	The distribution of the measured time intervals	Results
NA	NA	NA

NA - Not applicable

## INTERTEK TESTING SERVICES

---

Company: Lifeline Systems Inc.  
Model: DT1000

Date of Test: March 23-April 17, 2009

### 4.22 Monitoring Bandwidth, FCC Rule 15.323(c)(7).1 / RSS-213 Clause 4.3.4(b)(7).1:

The monitoring bandwidth must be equal to or greater than the emission bandwidth/occupied bandwidth of the intended transmission.

Measurements are made in accordance with ANSI C63.17 sub-clause 7.4. Test setup is shown in section 3.3 Figure 3.3.1.

Attestation:

Monitoring bandwidth of the EUT is equal to the occupied bandwidth of the intended transmission. Monitoring is made through the radio receiver used by the EUT for communication. Please refer to the section 2.2 Technical Description for more details. Designed bandwidth refers to section 4.3 Emission Bandwidth / Occupied Bandwidth.

Compliance is demonstrated by Monitoring Bandwidth Tests as shown below.

Test Results:

#### la. Simple Compliance Test Results - Base unit

Interference from Carrier	Reaction of EUT	Results
-30% EBW / Occupied Bandwidth	NA	NA
+30% EBW / Occupied Bandwidth	NA	NA

#### lb. Detailed Compliance Test Results - Base unit

CW Interference from Carrier	Reaction of EUT	Results
+ 6 dB	NA	NA
+ 12 dB	NA	NA
- 6 dB	NA	NA
- 12 dB	NA	NA

- A – Could Transmit
- B – Could not Transmit
- NA – Not applicable

\*Remarks: Detailed Compliance Test was used to show the compliance of the EUT.

## INTERTEK TESTING SERVICES

---

Company: Lifeline Systems Inc.  
Model: DT1000

Date of Test: March 23-April 17, 2009

### 4.22 Monitoring Bandwidth, FCC Rule 15.323(c)(7).1 / RSS-213 Clause 4.3.4(b)(7).1: - Continued

#### Ila. Simple Compliance Test Results - Handset

Interference from Carrier	Reaction of EUT	Results
-30% EBW / Occupied Bandwidth	NA	NA
+30% EBW / Occupied Bandwidth	NA	NA

#### Ilb. Detailed Compliance Test Results - Handset

CW Interference from Carrier	Reaction of EUT	Results
+ 6 dB	NA	NA
+ 12 dB	NA	NA
- 6 dB	NA	NA
- 12 dB	NA	NA

- A – Could Transmit
- B – Could not Transmit
- NA – Not applicable

\*Remarks: Detailed Compliance Test was used to show the compliance of the EUT.

## INTERTEK TESTING SERVICES

---

Company: Lifeline Systems Inc.  
Model: DT1000

Date of Test: March 23-April 17, 2009

### 4.23 Maximum Reaction Time, FCC Rule 15.323(c)(7).2 / RSS-213 Clause 4.3.4(b)(7).2:

The monitoring system bandwidth must have a maximum reaction time less than  $50 \times \text{SQRT}(1.25/\text{emission bandwidth } B \text{ in MHz}) \mu\text{s}$  for signals at the applicable threshold level but shall not be required to be less than  $50 \mu\text{s}$ . If a signal is detected that is 6 dB or more above the applicable threshold level, the maximum reaction time shall be  $35 \times \text{SQRT}(1.25/\text{emission bandwidth } B \text{ in MHz}) \mu\text{s}$  but shall not be required to be less than  $35 \mu\text{s}$ .

Measurements are made in accordance with ANSI C63.17 sub-clause 7.5. Test setup is shown in section 3.3 Figure 3.3.1.

#### Test Results:

	Test	Reaction of EUT	Results
1	With Interference Pulse = 50 $\mu\text{s}$	B	Pass
2	With Interference Pulse = 35 $\mu\text{s}$	B	Pass

- A – Could be connected in at least one channel
- B – Could not be connected in all channels
- NA – Not applicable



## INTERTEK TESTING SERVICES

---

Company: Lifeline Systems Inc.  
Model: DT1000

Date of Test: March 23-April 17, 2009

### 4.24 Monitoring Antenna, FCC Rule 15.323(c)(8) / RSS-213 Clause 4.3.4(b)(8):

The monitoring system shall use the same antenna used for transmission, or an antenna that yields equivalent reception at that location.

- EUT uses the same antenna used for transmission and monitoring that is in compliance meet above provision.
- EUT uses difference antenna used for transmission and monitoring. It must be verified that the monitoring antenna provides coverage equivalent to that of the transmitting antenna. Measurements are made in accordance with ANSI C63.17 sub-clause 4.

## INTERTEK TESTING SERVICES

---

Company: Lifeline Systems Inc.  
Model: DT1000

Date of Test: March 23-April 17, 2009

### 4.25 Duplex Connections, FCC 15.323(c)(10) / RSS-213 Clause 4.3.4(b)(10):

An initiating device may attempt to establish a duplex connection by monitoring both its intended transmit (Tx) and receive (Rx) time and spectrum windows. If both the intended transmit and receive time and spectrum windows meet the access criteria, then the initiating device can initiate a transmission in the intended transmit time and spectrum window. If the power detected by the responding device can be decoded as a duplex connection signal from the initiating device, then the responding device may immediately begin transmitting on the receive time and spectrum window monitored by the initiating device.

Measurements are made in accordance with ANSI C63.17 sub-clause 8.3. Test setup is shown in section 3.3 Figure 3.3.1.

Attestation:

- Base unit: The EUT is the initiating device of the duplex connection
- Handset: The EUT is the initiating device of the duplex connection
- Voice extension unit: The EUT is the initiating device of the duplex connection

Test Results:

la. Base unit

- Dual Access Criteria Check for EUT not Implemented the Upper Threshold:

Interference	Reaction of EUT	Results
All Tx and Rx Window, except one for Rx Window	NA	NA
All Tx and Rx Window, except one for Tx Window	NA	NA

- A – Could be connected on the target Rx window and its duplex mate
- B – Could be connected on the target Tx window and its duplex mate
- C – Connected on window which is not the target Tx/Rx window
- D – Could not be connected
  
- NA – Not applicable

## INTERTEK TESTING SERVICES

---

Company: Lifeline Systems Inc.  
Model: DT1000

Date of Test: March 23-April 17, 2009

4.25 Duplex Connections, FCC 15.323(c)(10) /  
RSS-213 Clause 4.3.4(b)(10): - Continued

Ib. Base unit

[ x ] Dual Access Criteria Check for EUT Implemented the Upper Threshold:

Interference	Reaction of EUT	Results
All Tx windows with level $T_L + U_M$ & Rx windows with level $T_L + U_M + 7\text{dB}$ , except one for Tx window & one for Rx window, which are not duplex.	A	Pass
All Tx windows with level $T_L + U_M + 7\text{dB}$ & Rx windows with level $T_L + U_M$ , except one for Tx window & one for Rx, which are not duplex	B	Pass
All Tx & Rx windows with level $T_U + U_M$ , except one for Tx window & one for Rx Window, which are not duplex	D	Pass

- A – Could be connected on the target Rx window and its duplex mate
- B – Could be connected on the target Tx window and its duplex mate
- C – Connected on window which is not the target Tx/Rx window
- D – Could not be connected
  
- NA – Not applicable

## INTERTEK TESTING SERVICES

---

### 4.25 Duplex Connections, FCC 15.323(c)(10) / RSS-213 Clause 4.3.4(b)(10): - Continued

#### Ila. Handset

[ ] Dual Access Criteria Check for EUT not Implemented the Upper Threshold:

Interference	Reaction of EUT	Results
All Tx and Rx Window, except one for Rx Window	NA	NA
All Tx and Rx Window, except one for Tx Window	NA	NA

#### Ilb. Handset

[ × ] Dual Access Criteria Check for EUT Implemented the Upper Threshold:

Interference	Reaction of EUT	Results
All Tx windows with level $T_L + U_M$ & Rx windows with level $T_L + U_M + 7\text{dB}$ , except one for Tx window & one for Rx window, which are not duplex.	A	Pass
All Tx windows with level $T_L + U_M + 7\text{dB}$ & Rx windows with level $T_L + U_M$ , except one for Tx window & one for Rx, which are not duplex	B	Pass
All Tx & Rx windows with level $T_U + U_M$ , except one for Tx window & one for Rx Window, which are not duplex	D	Pass

- A – Could be connected on the target Rx window and its duplex mate
- B – Could be connected on the target Tx window and its duplex mate
- C – Connected on window which is not the target Tx/Rx window
- D – Could not be connected
  
- NA – Not applicable

## INTERTEK TESTING SERVICES

---

Company: Lifeline Systems Inc.  
Model: DT1000

Date of Test: March 23-April 17, 2009

### 4.26 Alternative Monitoring Interval for Co-located Device, FCC Rule 15.323(c)(11) / RSS-213 Clause 4.3.4(b)(11):

An initiating device that is prevented from monitoring during its intended transmit window due to monitoring system blocking from the transmissions of a co-located (within one meter) transmitter of the same system, may monitor the portions of the time and spectrum windows in which they intend to receive over a period of at least 10 ms. The monitored time and spectrum window must total at least 50 % of the 10 ms frame interval and the monitored spectrum must be within the 1.25 MHz frequency channel(s) already occupied by that device or co-located co-operating devices. If the access criteria is met for the intended receive time and spectrum window under the above conditions, then transmission in the intended transmit window by the initiating device may commence.

Measurements are made in accordance with ANSI C63.17 sub-clause 8.4.

#### Attestation:

- Appropriate as it is co-located device, in which the monitoring system will be blocked from the transmissions of a co-located (Within one meter) transmitter of the same system. Please refer to attachment, 15.323(c)(11).pdf / RSS-213(b)(11).pdf, for details.
- Not appropriate, as it is not a co-located device.

## INTERTEK TESTING SERVICES

---

Company: Lifeline Systems Inc.  
Model: DT1000

Date of Test: March 23-April 17, 2009

4.27 Fair Access, FCC Rule 15.323(c)(12) / RSS-213 Clause 4.3.4(b)(12):

The provisions of FCC Rule 15.323(c)(10) or (c)(11) / RSS-213 Clause 4.3.4(b)(10) or (b)(11) shall not be used to extend the range of spectrum occupied over space or time for the purpose of denying fair access to spectrum to other devices.

Attestation:

The manufacturer declares that the device does not use any mechanisms as provided by Part 15.323(c)(10) or (c)(11) / RSS-213 Clause 4.3.4(b)(10) or (b)(11) to extend the range of spectrum occupied over space or time for the purpose of denying fair access to spectrum to other devices.

Please refer to the declaration letter (declaration.pdf).

## INTERTEK TESTING SERVICES

### 5.0 Equipment List

#### 1) Radiated Emissions Test

Equipment	Biconical Antenna	Log Periodic Antenna	Double Ridged Guide Antenna
Registration No.	EW-0954	EW-0446	EW-1015
Manufacturer	EMCO	EMCO	EMCO
Model No.	3104C	3146	3115
Calibration Date	Sep. 30, 2008	Oct. 02, 2008	Jul. 28, 2008
Calibration Due Date	Mar. 30, 2010	Apr. 02, 2010	Jan. 28, 2010

Equipment	Spectrum Analyzer	RF Pre-Amplifier	EMI Test Receiver
Registration No.	EW-2188	EW-1779a	EW-0014
Manufacturer	AGILENTTECH	MITEQ	R&S
Model No.	E4407B	AMF-4D-001120-34-13P	ESVS30
Calibration Date	Dec. 18, 2008	Jul. 05, 2008	May 09, 2008
Calibration Due Date	Dec. 18, 2009	Aug. 01, 2009	May 09, 2009

#### 2) Conducted Emissions Test

Equipment	EMI Test Receiver	LISN	Pulse Limiter
Registration No.	EW-2251	EW-0192	EW-0700
Manufacturer	R&S	R&S	R&S
Model No.	ESCI	ESH3-Z5	ESH3-Z2
Calibration Date	Oct. 28, 2008	Nov. 12, 2008	Dec 04, 2007
Calibration Due Date	Oct. 28, 2009	Nov. 12, 2009	Jun. 04, 2009

#### 3) Conductive Measurement Test

Equipment	Spectrum Analyzer	Coaxial directional coupler	Vector Signal Generator
Registration No.	EW-2253	EW-2337	EW-2320
Manufacturer	R&S	MAGNA	R&S
Model No.	FSP40	4222-16	SMU200A
Calibration Date	Aug. 12, 2008	Nil*	Feb. 06, 2008
Calibration Due Date	Aug. 12, 2009	Nil*	May 09, 2009

Equipment	Digital Radiocommunication Tester for DECT		Digital Multimeter	Temperature & Humidity Chamber
Registration No.	EW-1739	EW-2460	EW-1237	EW-2134
Manufacturer	R&S	R&S	FLUKE	GIANT FORCE
Model No.	CMD60	CMD60	179	GTH-750-40-CP-SD
Calibration Date	Apr. 14, 2008	Aug. 22, 2008	Sep. 01, 2008	Sep. 04, 2008
Calibration Due Date	Apr. 14, 2009	Aug. 22, 2009	Oct. 01, 2009	Aug. 29, 2009