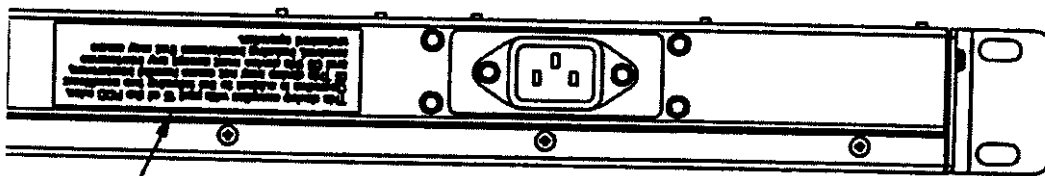

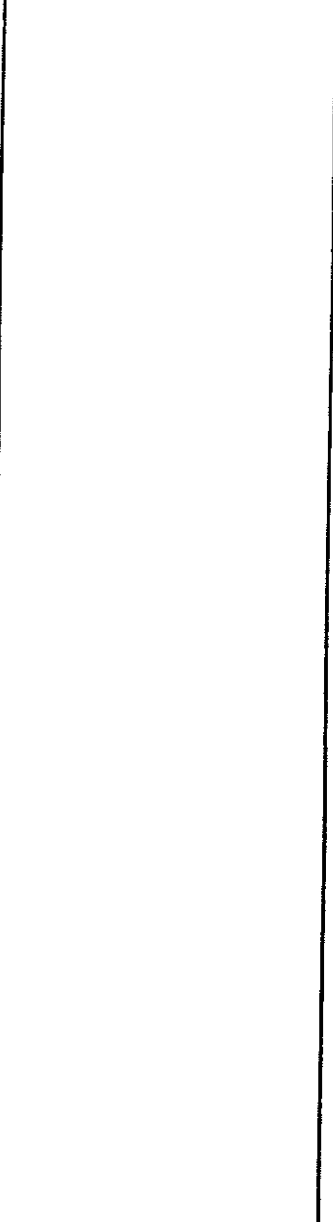


HARRIS CORP.
MODEL NO. AURORA 2400
FCC ID: BCK9GKAUR240TT1-2



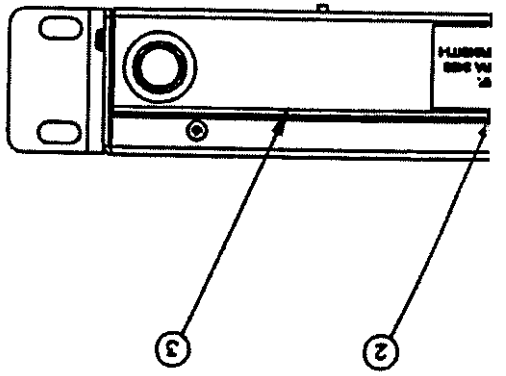
1

SCALE: 1:2	DWG	SHEET: 1 OF 1
SIZE: B	DWG NO: 098-001627-XXX	REV: 1
KIT, LBL, (AURORA T1)		
TITLE		
DATE: 01/09/97	DWG BY: H	APPD BY:
USED ONE		
THIS DOCUMENT IS THE PROPERTY OF HARRIS FANNON AND MAY BE REPRODUCED OR DISCLOSED OUTSIDE OF THE COMPANY. FOR ANY OTHER REPRODUCTION OR DISSEMINATION OF THIS DOCUMENT, CONTACT THE WRITER FOR PERMISSION OF HARRIS FANNON.		
 HARRIS FANNON DIVISION		
COMPANY CONFIDENTIAL		



098 NO	098-001627-XXX	B
REVISIONS	APPROVED BY:	DATE:

ION	APPLICATION
11	T1
12	E1



FCC ID: BCR9GKUR24011-2
 Date: 13 Jan 1999
 Page: 298

This device complies with part 15 of the FCC rules.
Operation is subject to the following two conditions:
(1) This device may not cause harmful interference,
and (2) this device must accept any interference
received, including interference that may cause
undesired operation.