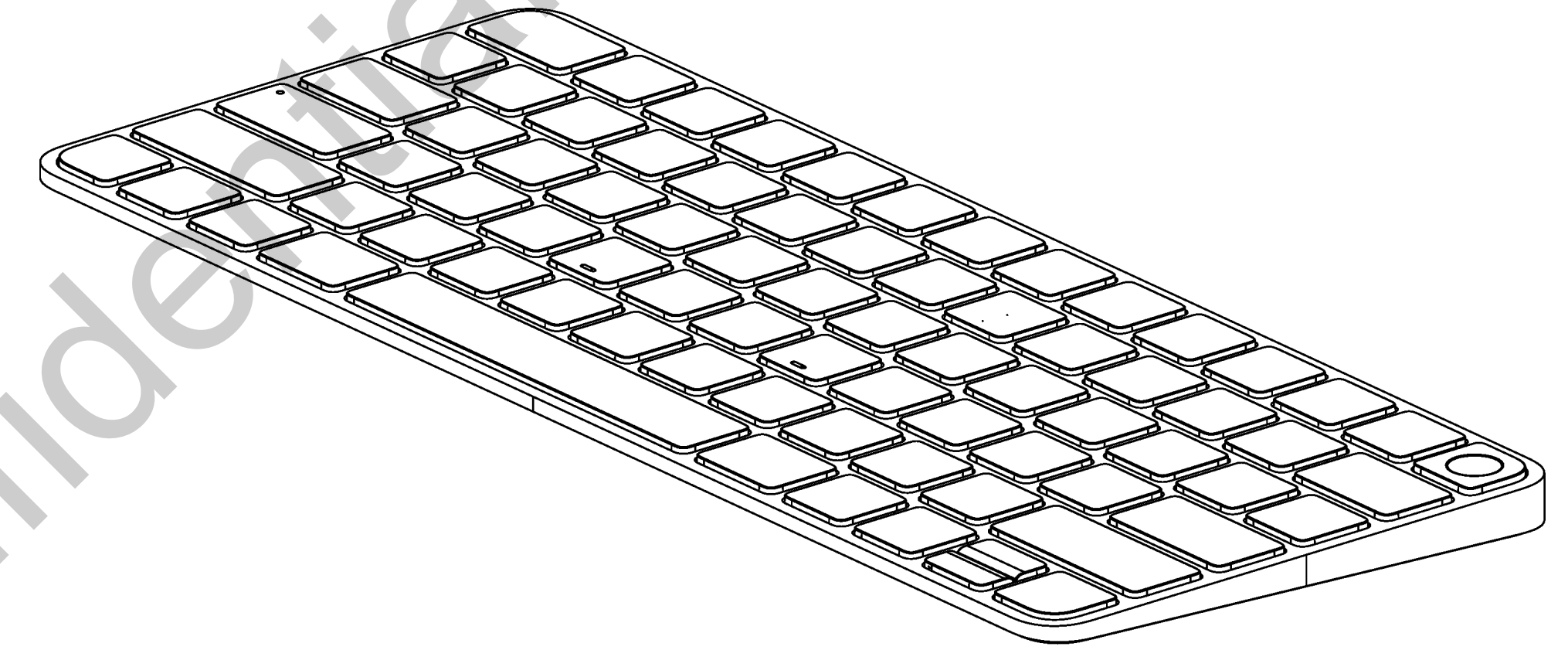
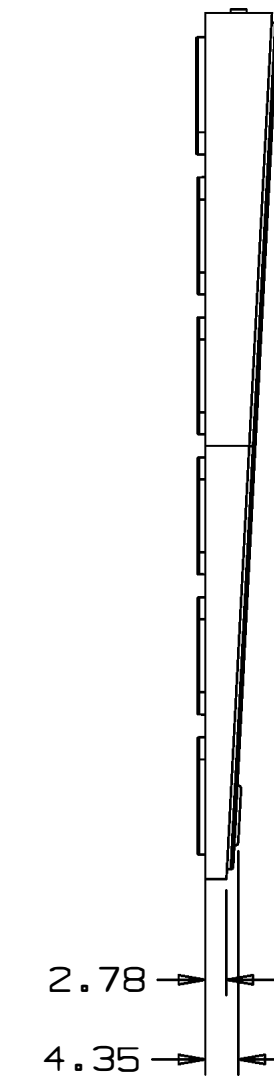
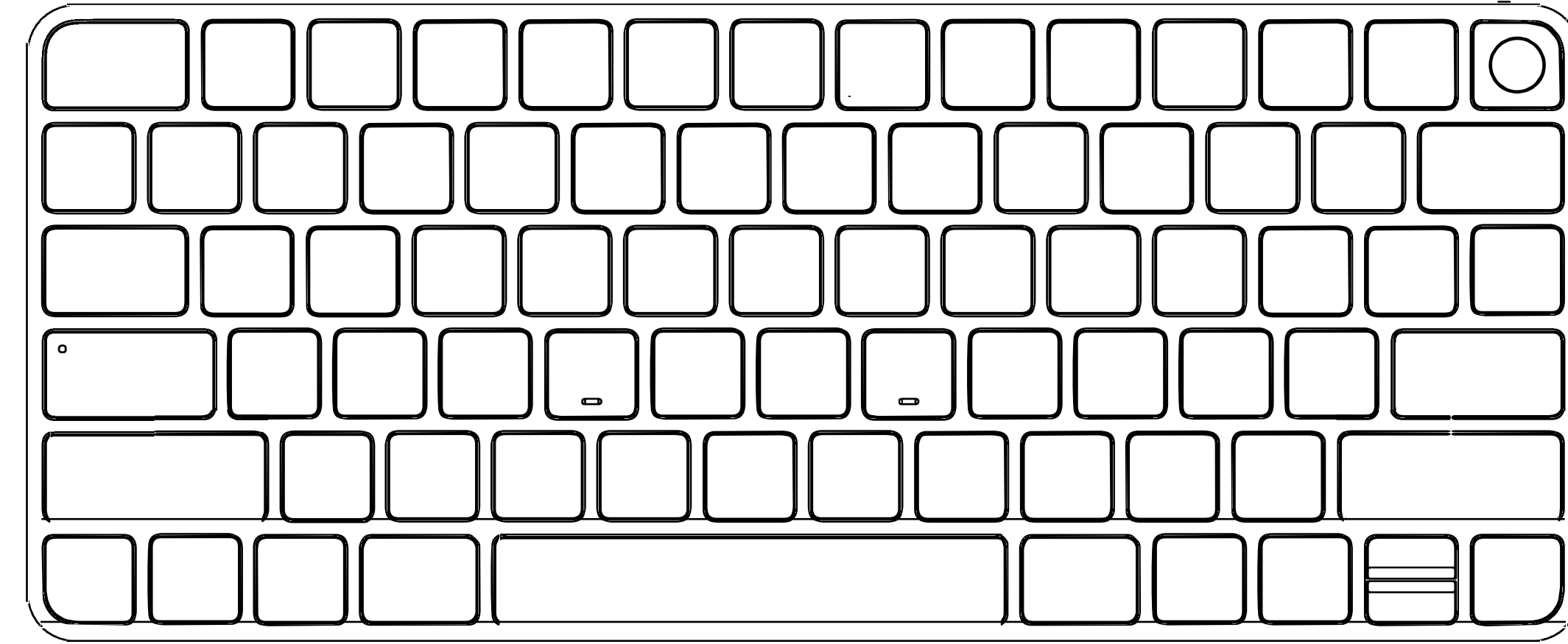
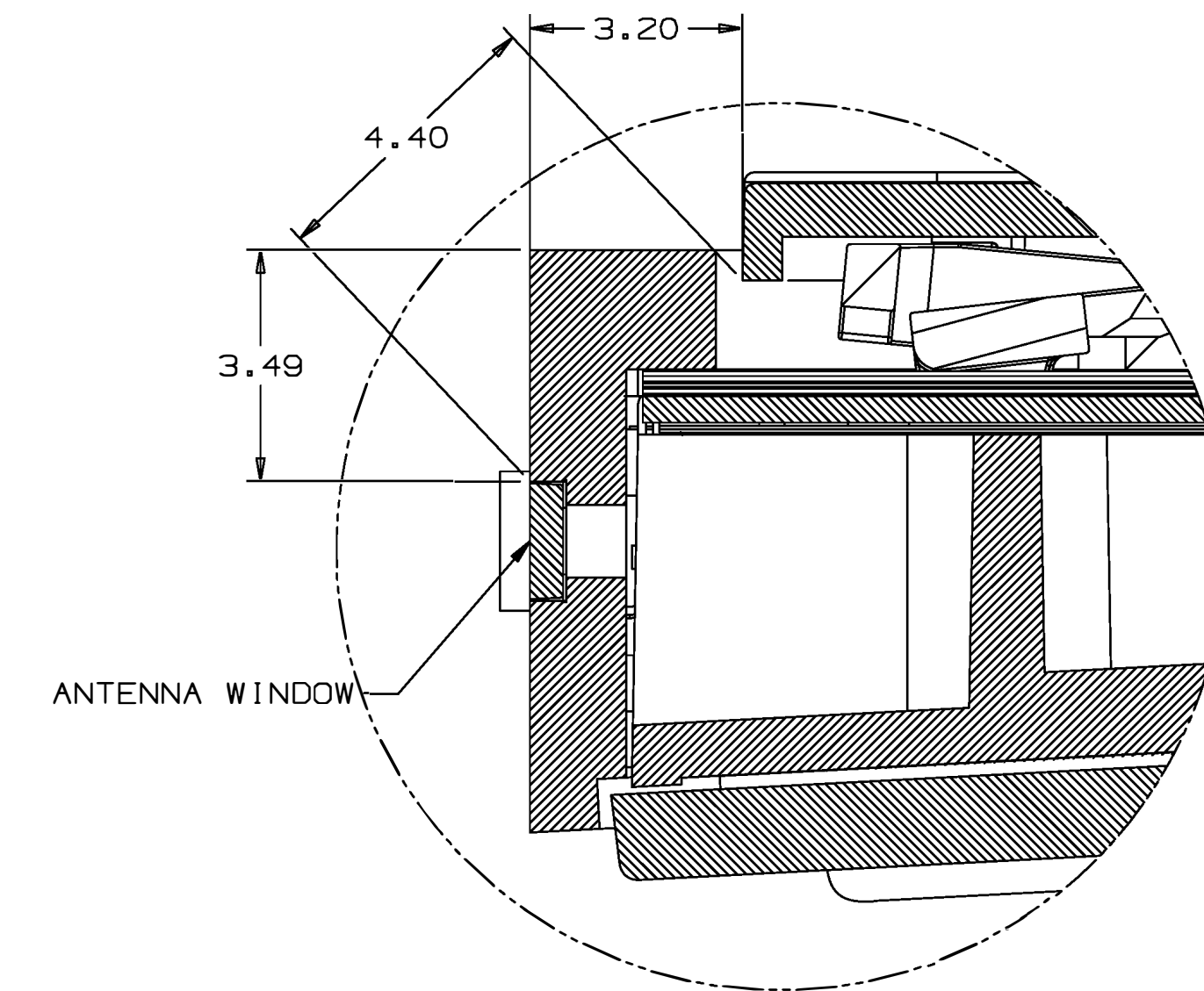
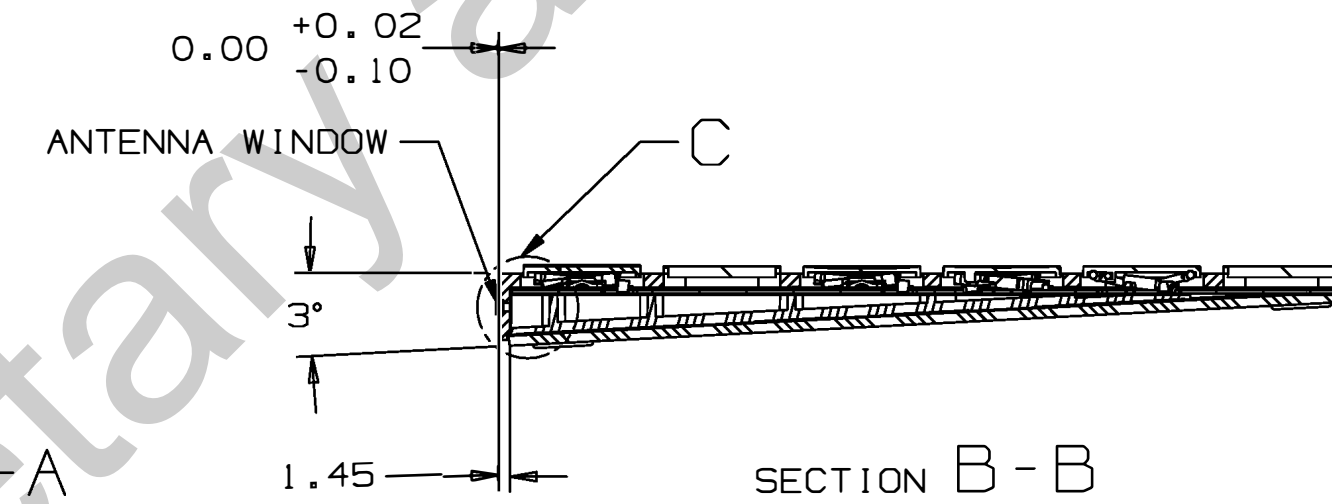
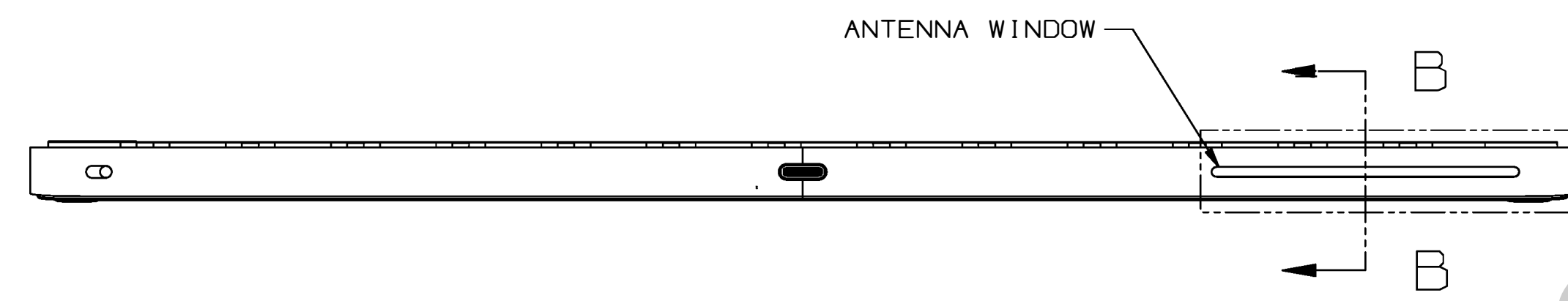


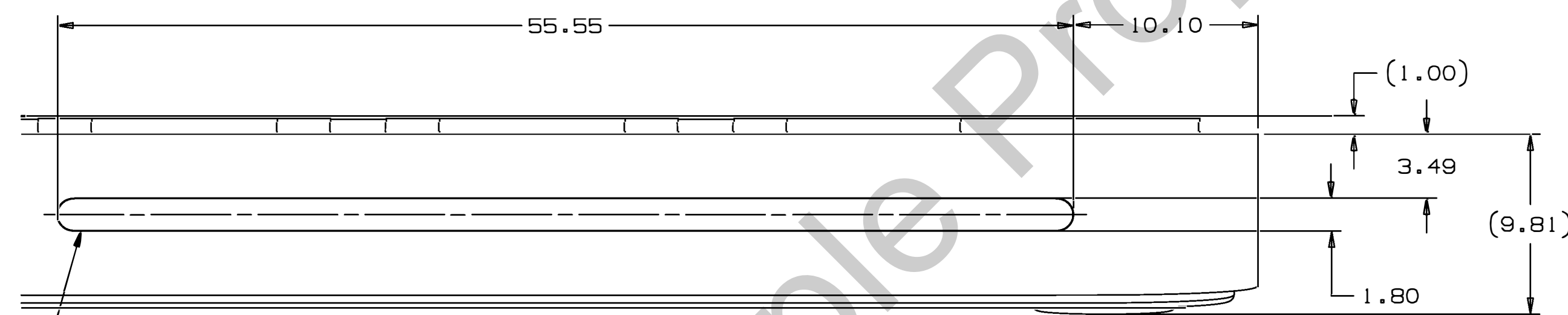
# A3118 Antenna Location



ANTENNA DISTANCE TO NEAREST KEYCAP:  
 SHORTEST LINEAR DISTANCE : 4.40MM  
 SHORTEST EXTERNAL DISTANCE : (3.49+3.20) = 6.69MM



DETAIL C  
 SCALE 10:1



DETAIL A  
 SCALE 4:1

All measurements in millimeters (mm).

4

3

2

1

D

D

C

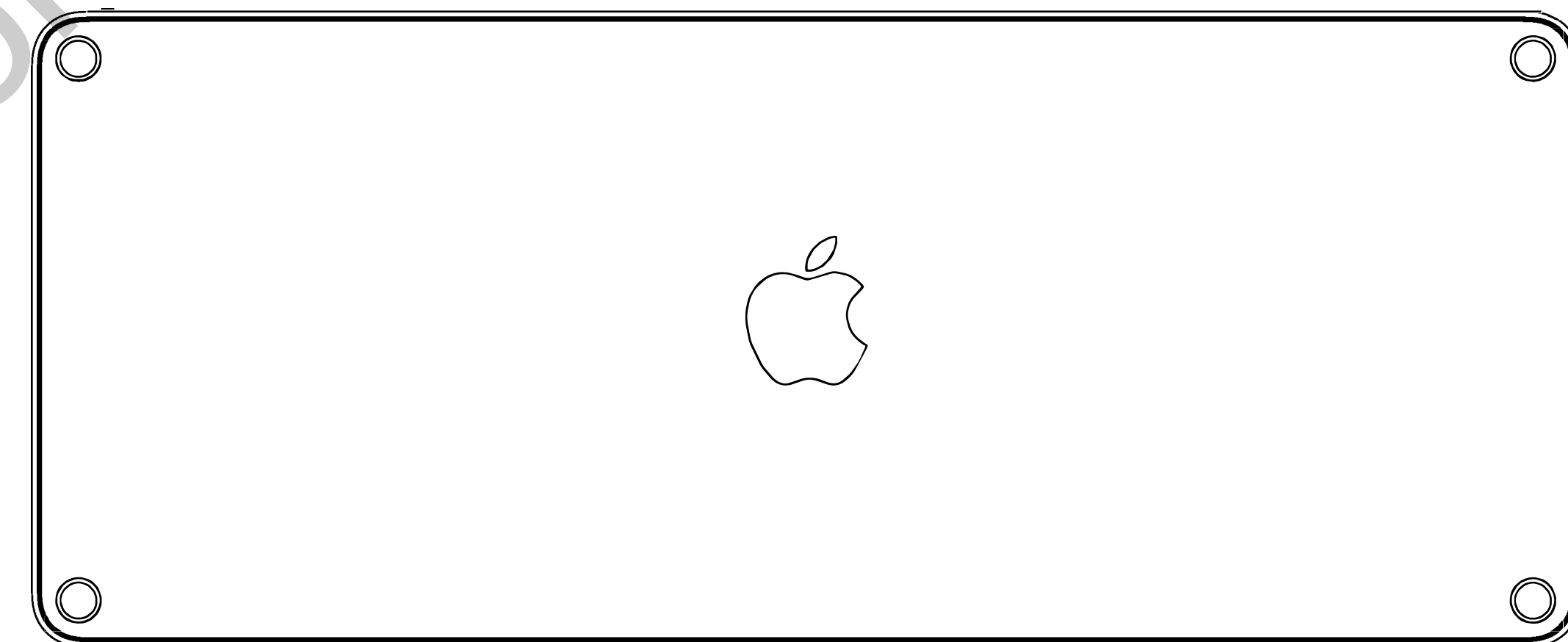
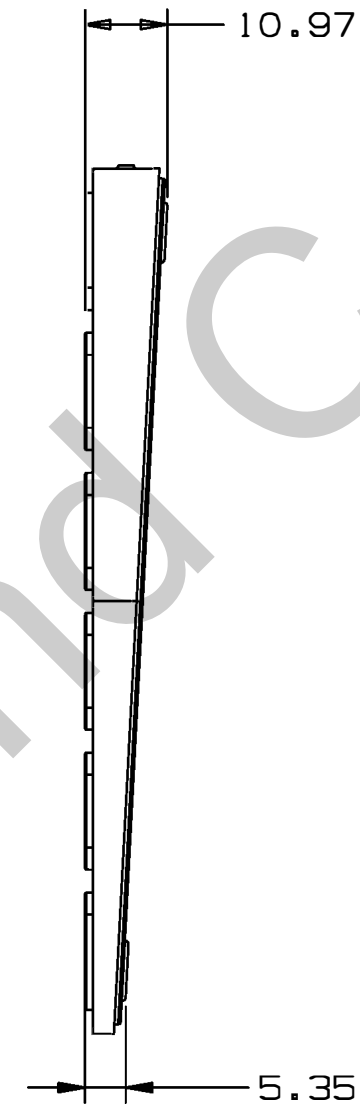
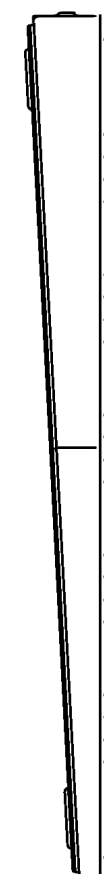
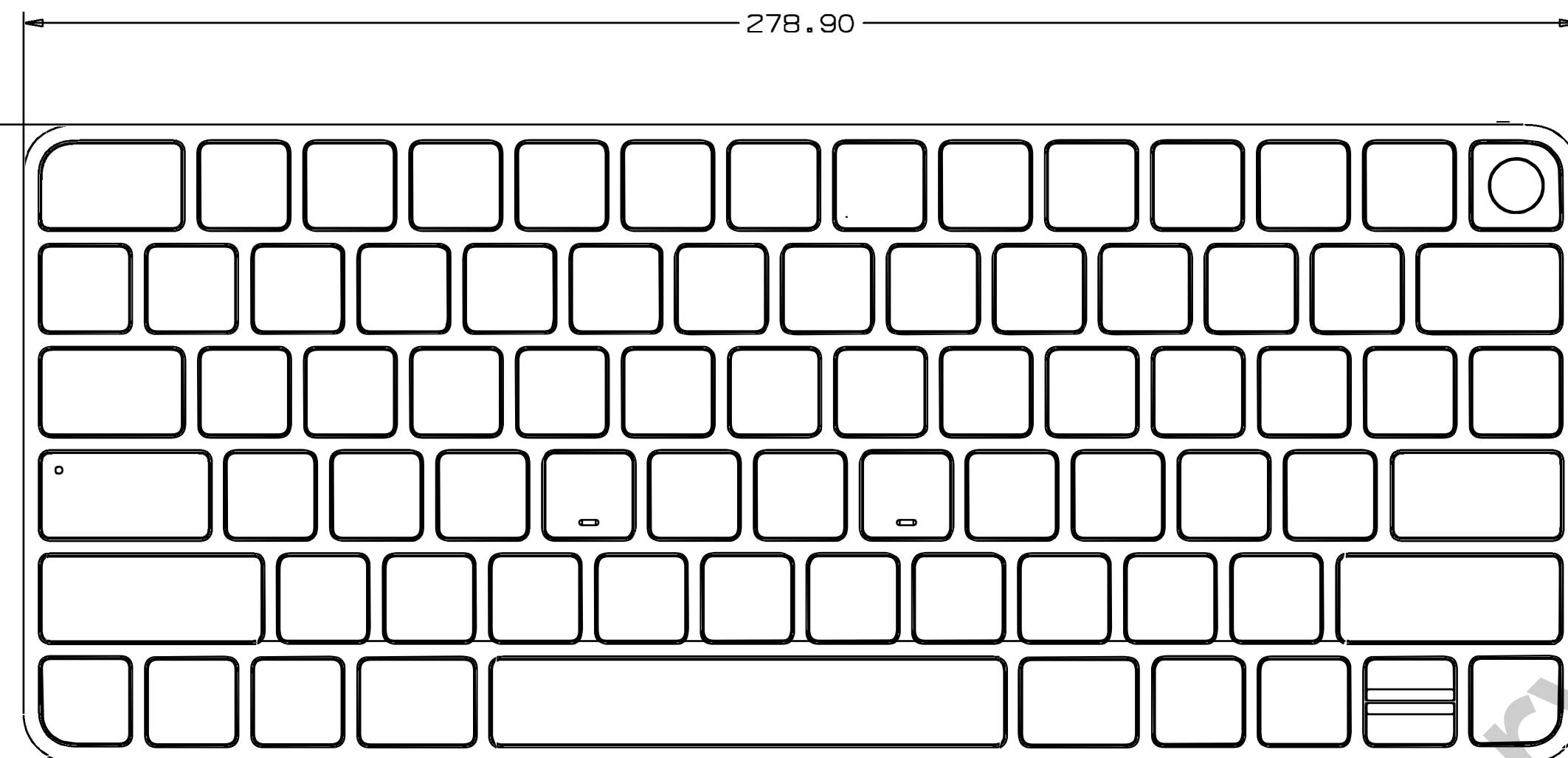
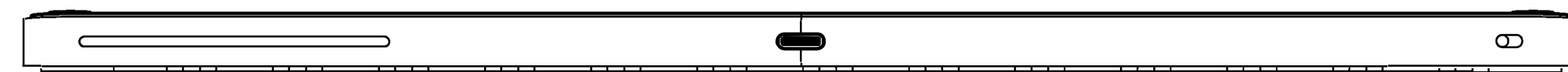
C

B

B

A

A



Apple Proprietary and Confidential

All measurements in millimeters (mm).

4

3

2