







Send a file from the Finder. Click the Finder icon  in the Dock, then click AirDrop in the sidebar on the left. When the person you want to send a file to appears in the window, drag the file to him or her.

Send a file from an app. While using an app like Pages or Preview, click the Share button  and choose AirDrop.

Share passwords stored in iCloud Keychain. In Safari, you can use AirDrop to share an account password with one of your contacts, or with another Mac, iPhone, iPad, or iPod touch. From the Safari menu, open Preferences > Passwords, select the website whose password you want to share, then secondary click (that is, right-click). Choose “Share with AirDrop,” then select the person or device in the AirDrop window to share the password.

Control who can send items to you using AirDrop. Click the Finder icon  in the Dock, click AirDrop in the sidebar, then click “Allow me to be discovered by” and choose an option.

When you send a file to someone, the recipient can choose whether or not to accept the file. When someone sends you a file, you can find it in the Downloads folder on your Mac Pro.

 **Tip:** If you don’t see the recipient in the AirDrop window, make sure both devices have AirDrop and Bluetooth turned on and are within 30 feet (9 meters) of each other. If the recipient is using an older Mac, try clicking the “Don’t see who you’re looking for?” link.

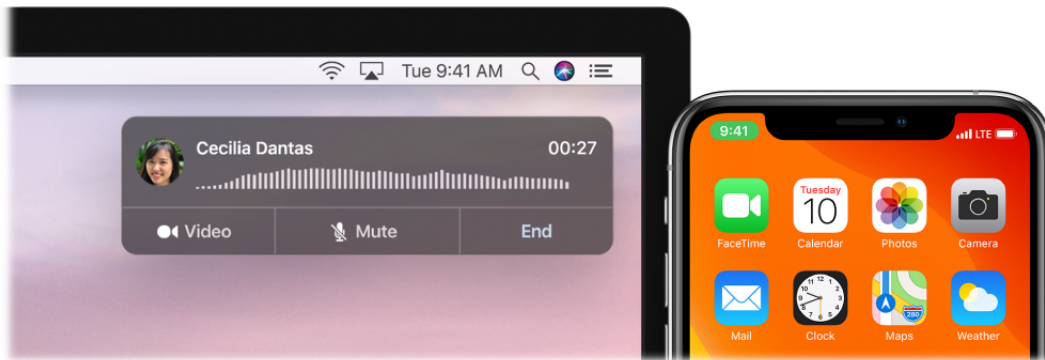
Learn more. See [Use AirDrop on your Mac to send files to devices near you](#) in the macOS User Guide.

Phone calls and text messages on your Mac

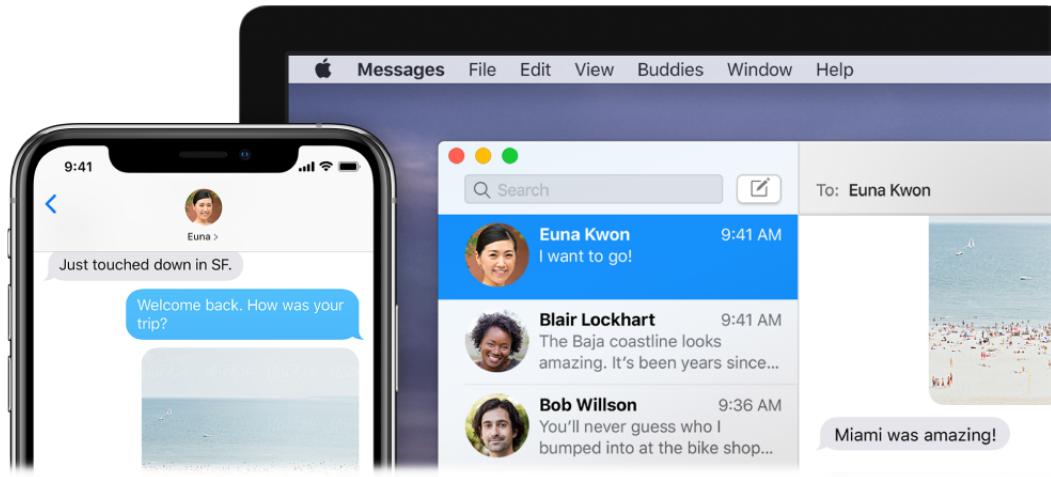
You can take calls—and make them—right from your Mac Pro. (Requires an external microphone. Accessories are sold separately at [apple.com](#), your local Apple Store, or other resellers.) You can also receive and send text messages.

Note: A Wi-Fi connection is required in order to make or receive phone calls on your Mac Pro.

Take or make a call. When someone calls your iPhone, click the notification that appears on your Mac Pro screen and your Mac Pro becomes a speakerphone. If you want to make a call, click a phone number in a Spotlight search or in an app such as FaceTime, Contacts, Safari, or Calendar. You need a nearby device (iPhone or iPad) with a cellular connection in order to make phone calls.



Send and receive messages. Send and receive SMS and MMS text messages right from your Mac Pro. When friends and family text you, you can respond with whichever device is closest. All messages appear on your Mac Pro, iPhone, iPad, iPod touch, and Apple Watch. (Voice messages require an external microphone. Accessories are sold separately at [apple.com](#), your local Apple Store, or other resellers.) See [Messages](#).

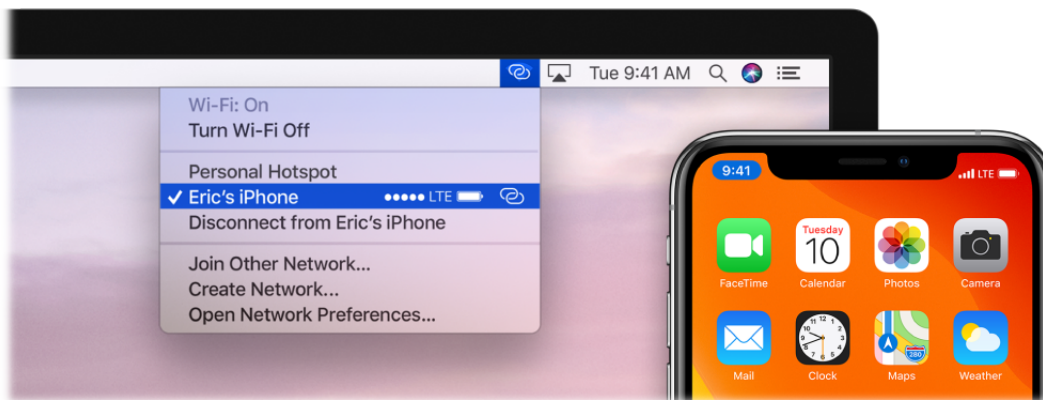




Learn more. See [Make and receive phone calls in FaceTime on Mac](#) in the FaceTime User Guide and [Set up iPhone to get SMS texts on Mac](#) in the Messages User Guide.


Instant Hotspot on your Mac

Lost your Wi-Fi connection? With Instant Hotspot, you can use the Personal Hotspot on your iPhone or iPad to connect your Mac Pro to the internet instantly—no password required.

Note: Personal Hotspot requires an iPhone or cellular-model iPad, with iOS 8 (or later) or iPadOS installed.



Connect to your device's Personal Hotspot. Click the Wi-Fi status icon  in the menu bar, then choose your iPhone or iPad from the list of devices that appears. The Wi-Fi icon changes to . (You don't need to do anything on your device—Mac Pro connects automatically.)

 **Tip:** If you're asked for a password, make sure your devices are set up correctly. See the Apple Support article [Use Instant Hotspot to connect to your Personal Hotspot without entering a password](#).

Check the status of your connection. Look in the Wi-Fi status menu to see the strength of the cellular signal.

When you're not using the hotspot, your Mac Pro disconnects to save battery life.

Learn more. See [Use an iPhone or iPad to connect to the Internet](#) in the macOS User Guide.


Unlock your Mac and approve tasks with Apple Watch

When you're wearing your Apple Watch, you can use it to automatically unlock your Mac Pro and approve authentication tasks—such as entering passwords, unlocking notes and preferences, and authorizing installations—without having to type a password. These features use strong encryption to provide secure communication between your Apple Watch and Mac Pro.



To use the Auto Unlock and Approve with Apple Watch features:

- Sign in to your Mac and Apple Watch with the same Apple ID.
- Make sure your Apple Watch is unlocked and running watchOS 3 or later to automatically unlock your Mac; approving authentication requests requires watchOS 6.
- Turn on two-factor authentication (see below).



Set up two-factor authentication for your Apple ID. To turn on two-factor authentication, go to Apple menu  > System Preferences > Apple ID > Password & Security, then select Set Up Two-Factor Authentication. See the Apple Support article [Two-factor authentication for Apple ID](#).

Make sure “Disable automatic login” is also selected. (You won’t see this option if you’re using FileVault, but you can still use the Auto Unlock and Approve with Apple Watch features.)

Set up Auto Unlock. Sign in to all your devices with the same Apple ID, then click the System Preferences icon  in the Dock, or choose Apple menu  > System Preferences. If your Apple Watch has watchOS 6 installed, click Security & Privacy, then select “Use your Apple Watch to unlock apps and your Mac.” If your Apple Watch has watchOS 3 to watchOS 5 installed, select “Allow your Apple Watch to unlock your Mac”—you can’t approve tasks.

Note: These features work only when your Apple Watch is authenticated with a passcode. You authenticate your Apple Watch each time you put it on, so no extra steps are required after you enter your passcode.

Skip the sign-in. Walk up to your sleeping Mac Pro wearing your authenticated Apple Watch on your wrist, and press a key to wake your Mac. Apple Watch unlocks your Mac so you can get right to work.

Approve with Apple Watch. If you’re prompted for a password, double-click the side button on your Apple Watch to authenticate your password on your Mac. You can view your passwords in Safari, approve app installations, unlock a locked note, and more

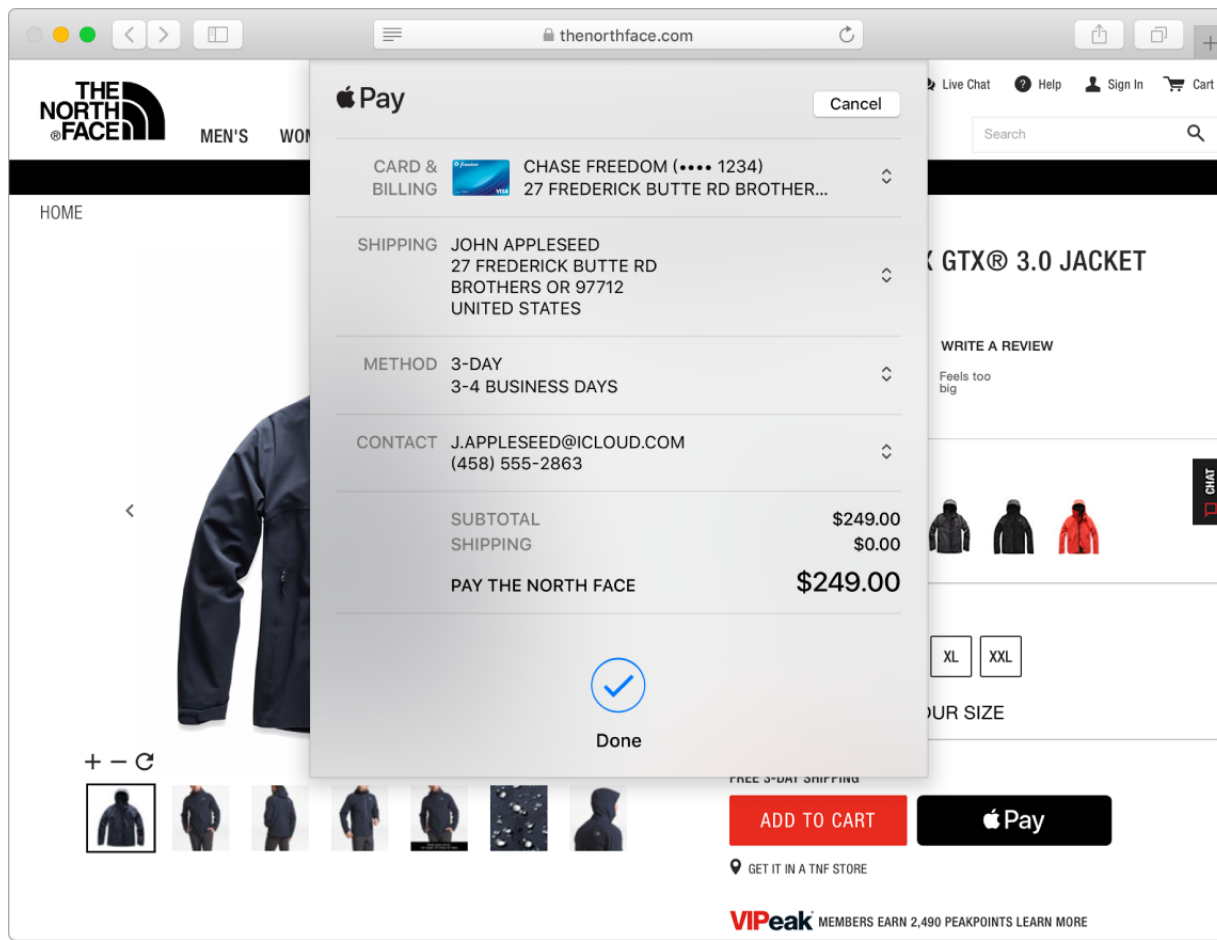
(requires watchOS 6).

Learn more. See [Unlock your Mac and approve tasks with Apple Watch](#) in the macOS User Guide.

Use Apple Pay on your Mac

You can make easy, secure, and private purchases on websites using Apple Pay on your Mac Pro. With Apple Pay, your Apple Card and other credit or debit card information is never stored or shared by Apple with the merchant. When you shop online using Safari, look for an Apple Pay checkout option. Confirm payment using your iPhone or Apple Watch.

Note: Apple Pay and Apple Card aren't available in all countries or regions. For information about Apple Pay, go to [Cashless made effortless](#). For information about current card issuers, see the Apple Support article [Apple Pay participating banks](#). For information about Apple Card, see [Apple Card Support](#).



Set up Apple Pay. Apple Pay uses the Apple Card or other credit or debit cards you've already set up on your iPhone or Apple Watch, so no extra setup is required. You must be signed in to an iPhone or Apple Watch that has Apple Pay set up with the same Apple ID you're using on your Mac Pro. The default payment card, shipping, and contact information that's set on your iPhone or Apple Watch will be used for purchases on your Mac.


Make a purchase. Click the Apple Pay button on the website, then to confirm the payment, use Face ID, Touch ID, or the passcode on your iPhone, or double-click the side button on your unlocked Apple Watch.

For more information about Apple Pay, see the Apple Support articles [Set up Apple Pay](#), [How to use Apple Pay](#), and [Manage the cards that you use with Apple Pay](#).


Use AirPlay on your Mac



Show whatever's on your Mac Pro on the big screen using AirPlay Mirroring. To mirror the Mac Pro screen on your TV screen or to use the HDTV as a second display, connect your HDTV to Apple TV and make sure the Apple TV is on the same Wi-Fi network as your Mac Pro. You can also play some web videos directly on your HDTV without showing what's on your desktop—handy when you want to play a movie but keep your work private.



Mirror your desktop using AirPlay Mirroring. Click the AirPlay icon  in the menu bar, then choose your Apple TV. When an AirPlay display is active, the icon turns blue.

In some cases, you can use an AirPlay display even if you're not on the same Wi-Fi network as Apple TV (called *peer-to-peer AirPlay*). To use peer-to-peer AirPlay, you need an Apple TV (3rd generation rev A, model A1469 or later) with tvOS 7.0 or later.

Play web videos without showing your desktop. When you find a web video with an AirPlay icon , click the icon, then select your Apple TV.

 **Tip:** If the image doesn't fit your HDTV screen when you mirror the screen, adjust the desktop size for the best picture. Click the AirPlay icon , then choose an option under "Match Desktop Size To."

Apple TV is sold separately at apple.com or your local Apple Store.



Learn more. To learn more about AirPlay, see [Use AirPlay to stream what's on your Mac to an HDTV](#) in the macOS User Guide. To learn more about using a second display with your Mac Pro, see [Connect a display to Mac Pro](#).

Use AirPrint on your Mac

You can use AirPrint to print wirelessly to:

- An AirPrint-enabled printer on your Wi-Fi network
- A network printer or printer shared by another Mac on your Wi-Fi network
- A printer connected to the USB port of an AirPort base station

Print to an AirPrint printer. When you print from an app, click the Printer pop-up menu in the Print dialog, then choose a printer in the Nearby Printers list.

Can't find the printer you're looking for? Make sure it's connected to the same Wi-Fi network as your Mac Pro. If it's connected and you still don't see it, try adding it: Click the System Preferences icon  in the Dock, click Printers & Scanners, then click . (You may have to temporarily connect the printer to your Mac Pro using a USB cable.)

Learn more. See [Print wirelessly from your Mac to an AirPrint printer](#) in the macOS User Guide.

For a list of AirPrint-enabled printers and other supported printers, see the Apple Support article [About AirPrint](#).

Expansion

Configure your Mac Pro

You can configure the memory, MPX modules, and expansion cards in your Mac Pro. The table below outlines the default configurations that Mac Pro can be shipped with.


Component	Shipping configurations
Memory	32 GB (4 x 8 GB)
	48 GB (6 x 8 GB)
	96 GB (6 x 16 GB)
	192 GB (6 x 32 GB)
	384 GB (6 x 64 GB)
	768 GB (12 x 64 GB)
	768 GB (6 x 128 GB)
	1.5 TB (12 x 128 GB)
MPX modules	Radeon Pro 580X
	Radeon Pro W5700X
	Radeon Pro Vega II
	Two Radeon Pro Vega II
	Radeon Pro Vega II Duo
	Two Radeon Pro Vega II Duo
PCI Express expansion cards	8 expansion slots

WARNING: To avoid damaging internal components or the components you want to install, always turn off and then unplug your Mac Pro. Do not attempt to open the computer or install items while it's plugged in.

Install Memory in Mac Pro

Follow these steps to install memory in your Mac Pro.

Note: Memory must be installed according to the diagrams printed on the inside of the DIMM covers—failure to do so may result in your Mac Pro not starting up. For more information, see the Apple Support article [Install and replace memory in your Mac Pro](#).

1. Turn off your Mac Pro by choosing Apple menu  > Shut Down.

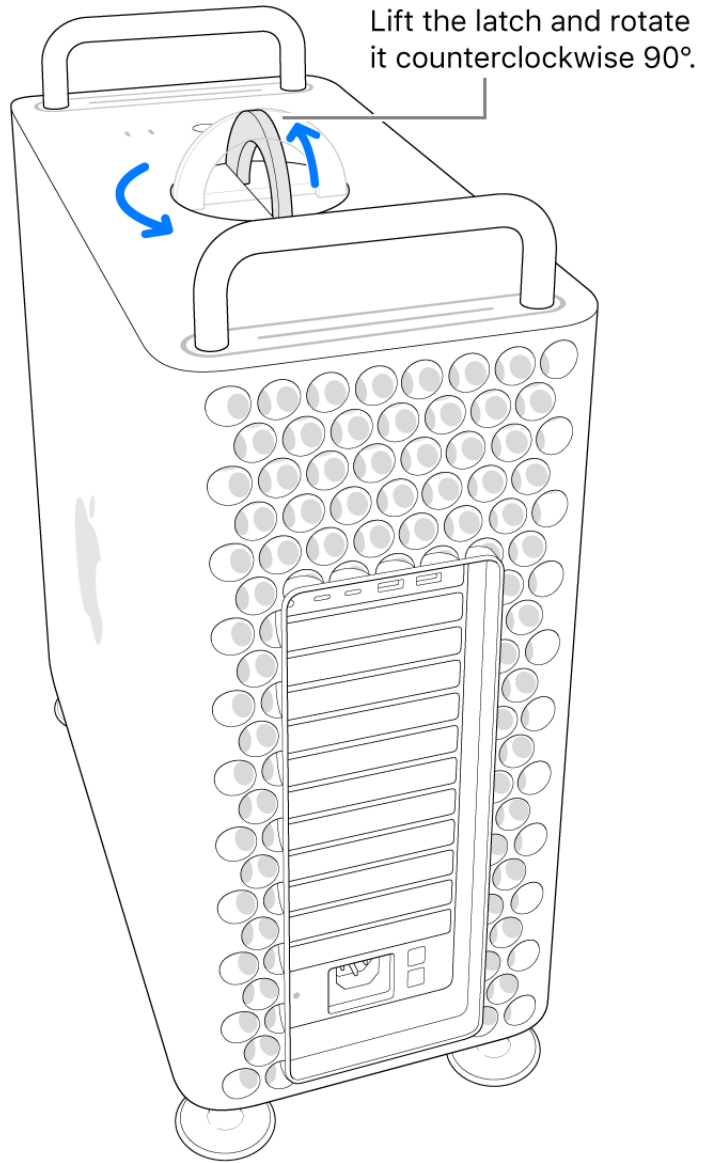
Let it cool down for 5 to 10 minutes before you touch the internal components, which may be at an elevated temperature.

2. Disconnect all cables and the power cord from your Mac Pro.
3. Touch the metal on the outside of your Mac Pro to discharge any static electricity.

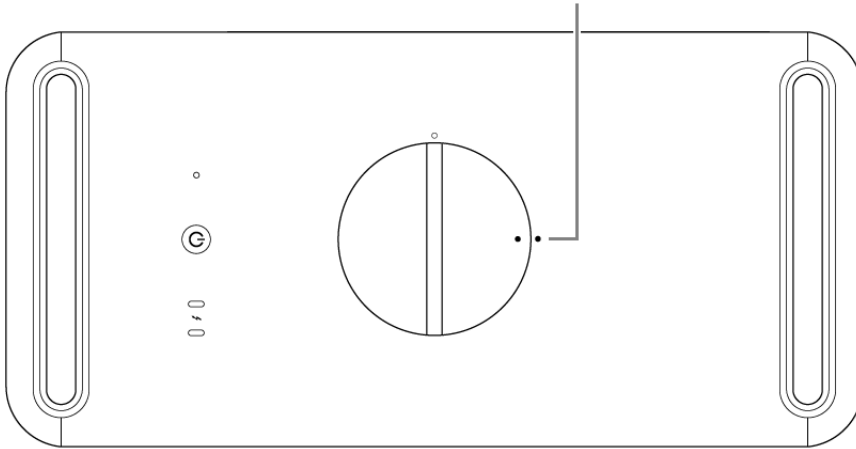
Note: Always discharge static before you touch parts or install components inside your Mac Pro. To avoid generating static, don't walk around the room until you finish installing the memory.

4. Unlock the computer's housing by rotating the latch counterclockwise 90 degrees.

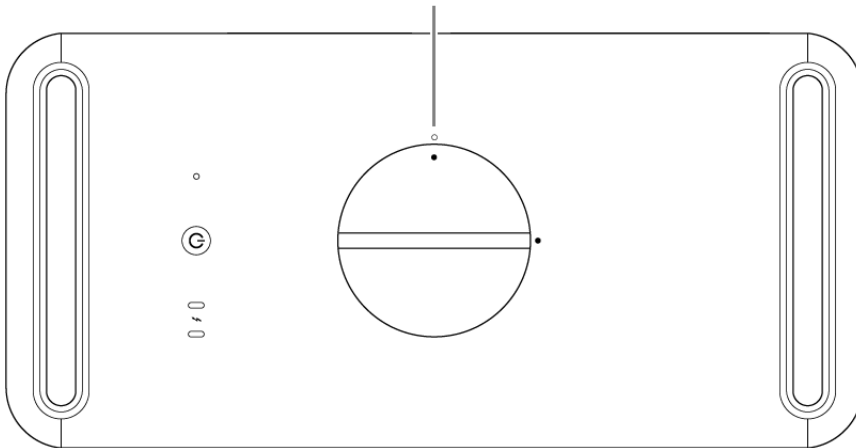
WARNING: Do not rotate the latch while the computer is turned on; doing so may cause the computer to shut down.



Locked position (dots match)

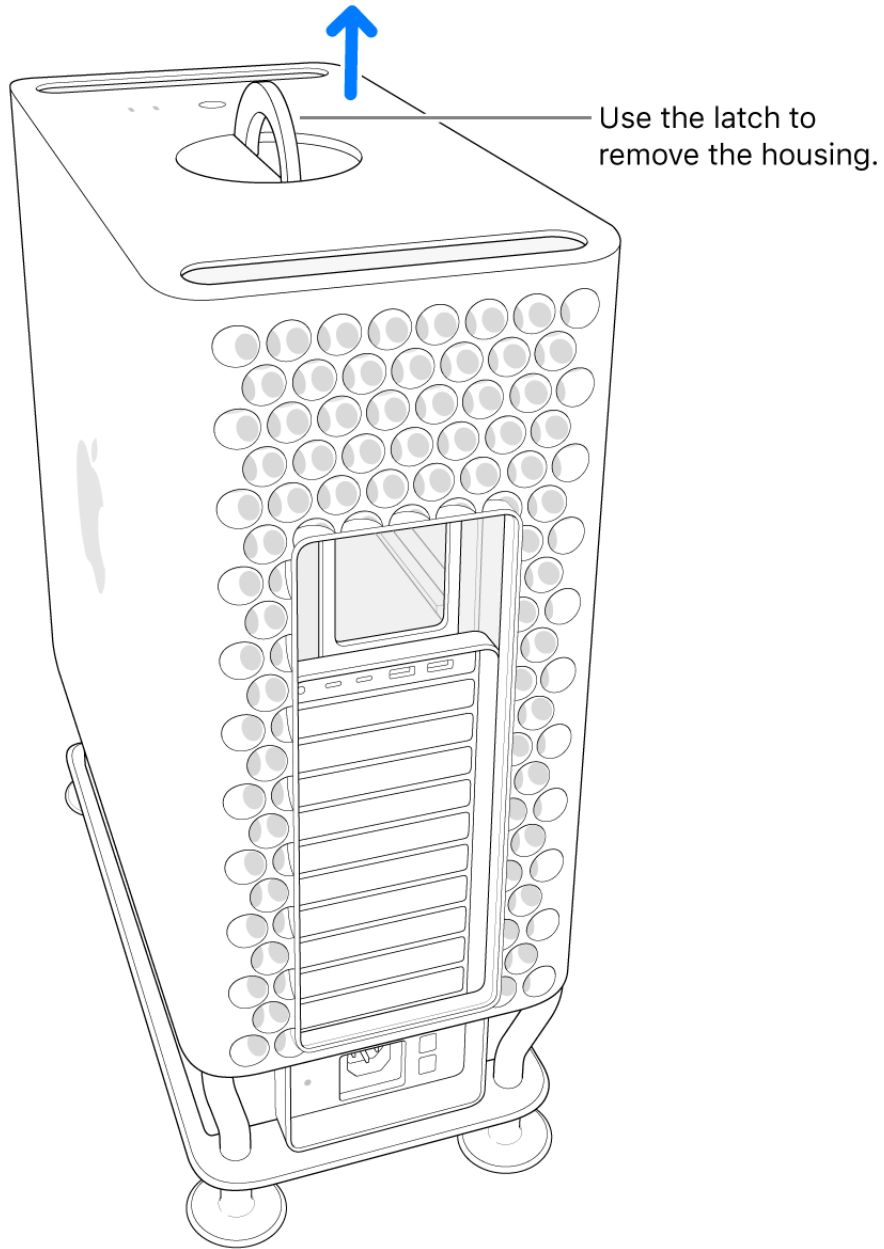


Unlocked position (dots don't match)

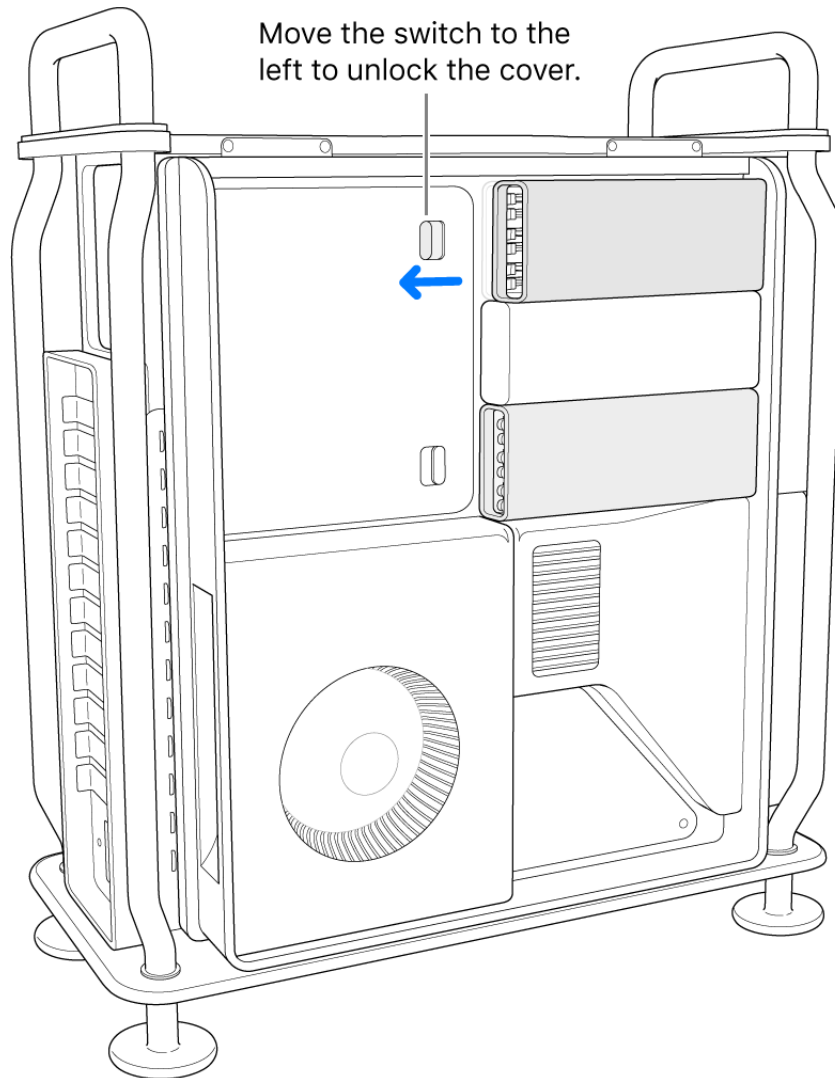


5. Remove the computer's housing by pulling it up by the top latch.

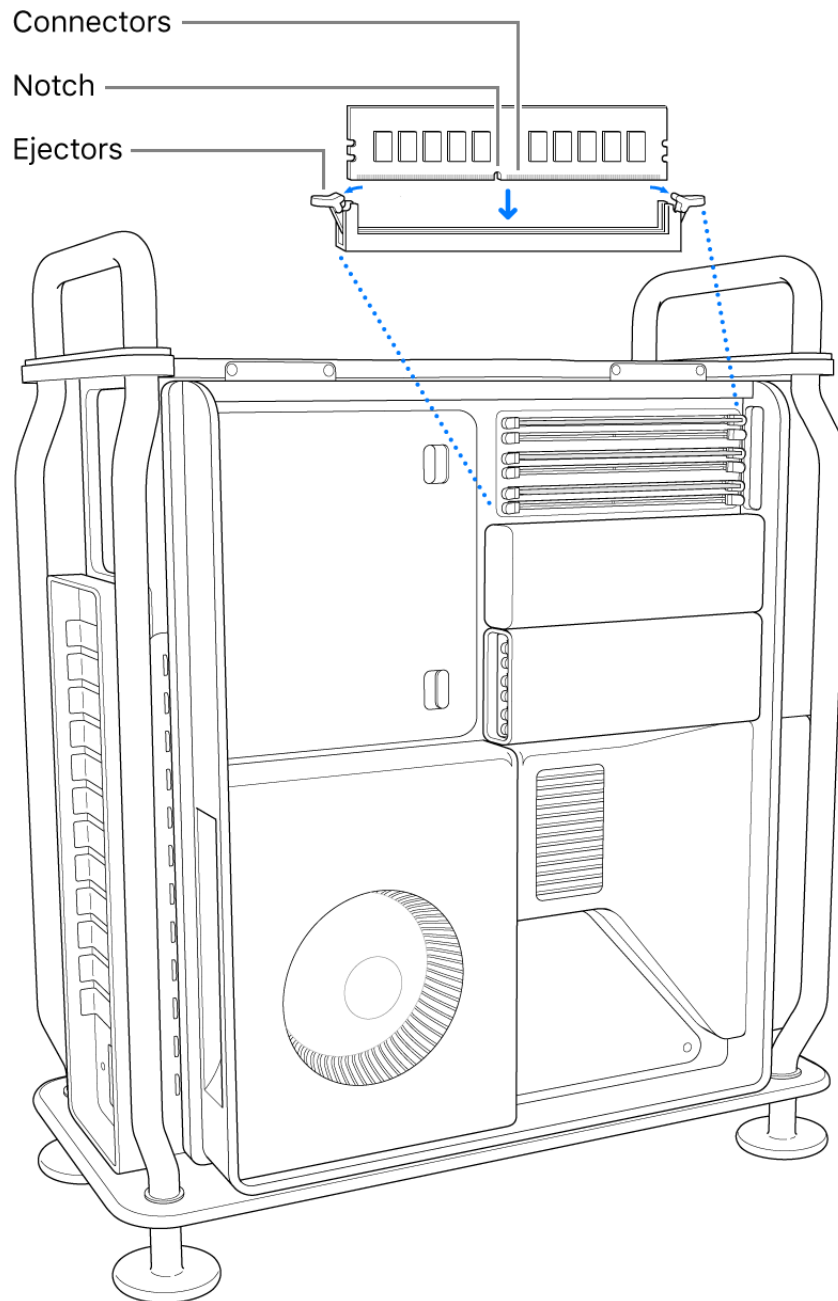
Note: Mac Pro will not start up if its housing is removed.



6. Slide the DIMM cover switch to the left.

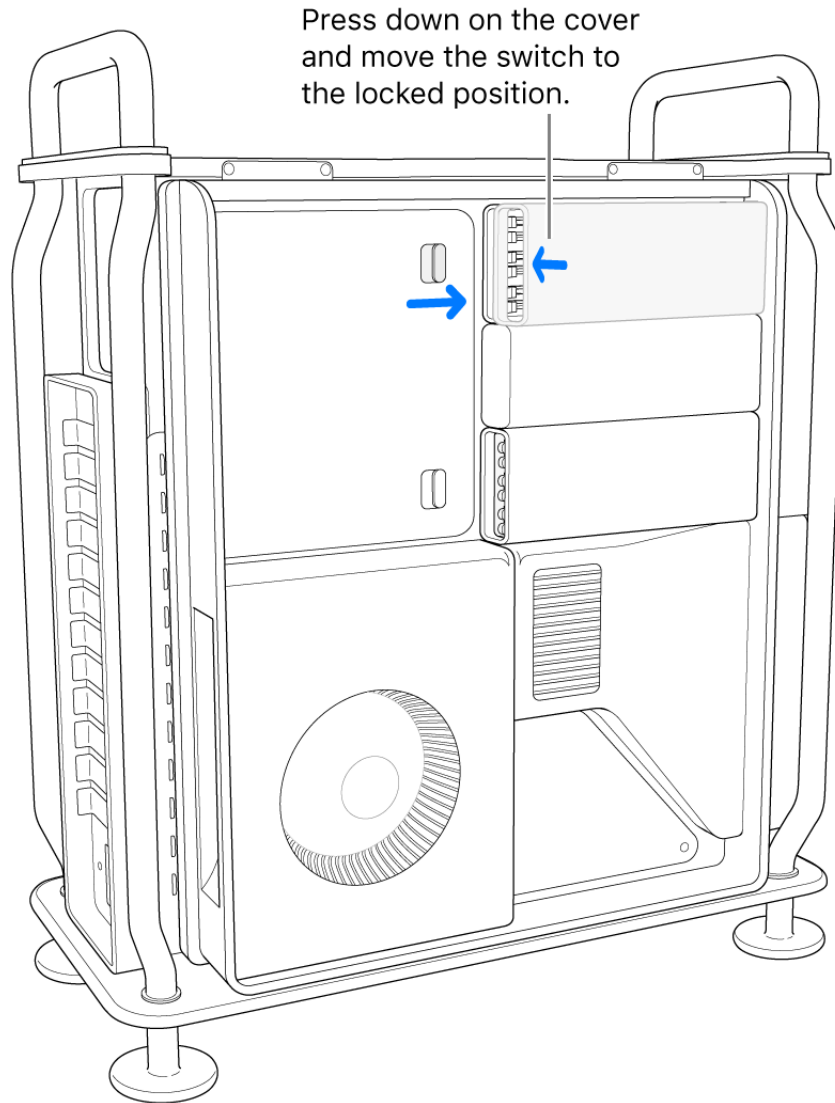


7. Remove the DIMM covers.
8. Remove the new DIMM from its static-proof bag and hold it by its corners. Don't touch the gold connectors or the components on the DIMM.
9. Push the DIMM into the slot. The DIMM is installed when the ejectors click closed.



10. Reinstall the DIMM covers; the DIMM cover switch automatically locks.

Note: It's important to reinstall the DIMM covers in order to maintain the performance of your Mac Pro.



11. Slide the housing over the computer, then turn the latch clockwise 90 degrees to lock the housing.

The computer will not turn on if the housing has not been replaced and the latch rotated to its original position.

12. Reconnect all cables and the power cord to your Mac Pro.

Install MPX Modules in Mac Pro

Follow these steps to install MPX modules in your Mac Pro. MPX Modules must be installed in PCIe expansion slots 1 and 3.

Important: each PCIe slot is rated a maximum of 75 W; Each six pin auxiliary (AUX) connector is rated 75 W, and each eight pin AUX connector is rated 150 W. Only install PCIe modules that specifically state that they are compliant with the industry standard PCIe specification. Use of non-compliant modules may not keep different input power sources separated, resulting in a possible burn hazard, and may damage the computer.

1. Turn off your Mac Pro by choosing Apple menu  > Shut Down.

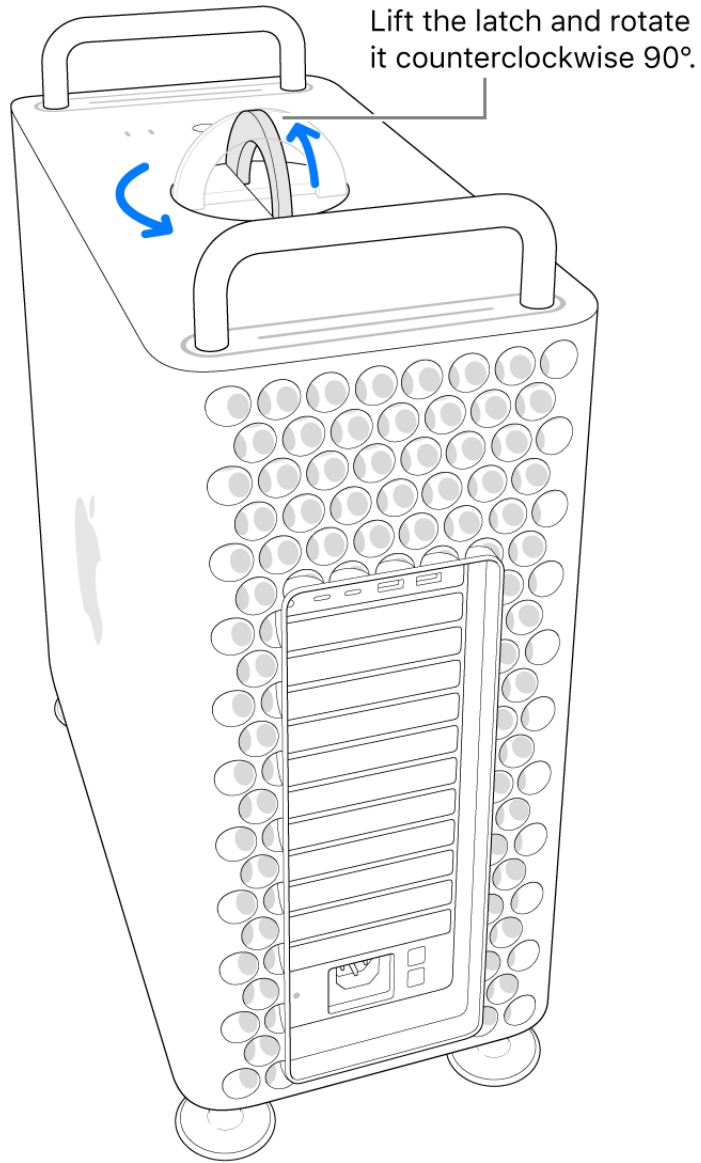
Let your Mac Pro cool down for 5 to 10 minutes before you touch the internal components, which may be hot.

2. Disconnect all cables and the power cord from your Mac Pro.
3. Touch the metal on the outside of your Mac Pro to discharge any static electricity.

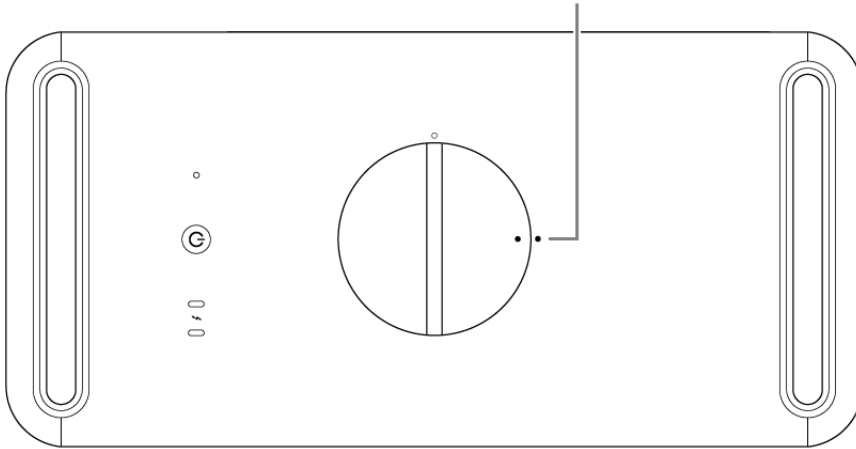
Note: Always discharge static before you touch parts or install components inside your Mac Pro. To avoid generating static, don't walk around the room until you finish installing the MPX modules.

4. Unlock the housing by rotating the latch counterclockwise 90 degrees.

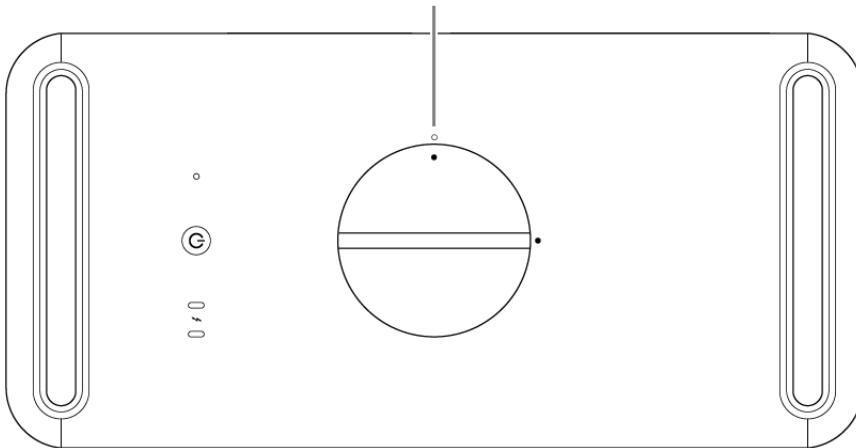
WARNING: Do not rotate the latch while Mac Pro is turned on; doing so may cause it to shut down.



Locked position (dots match)

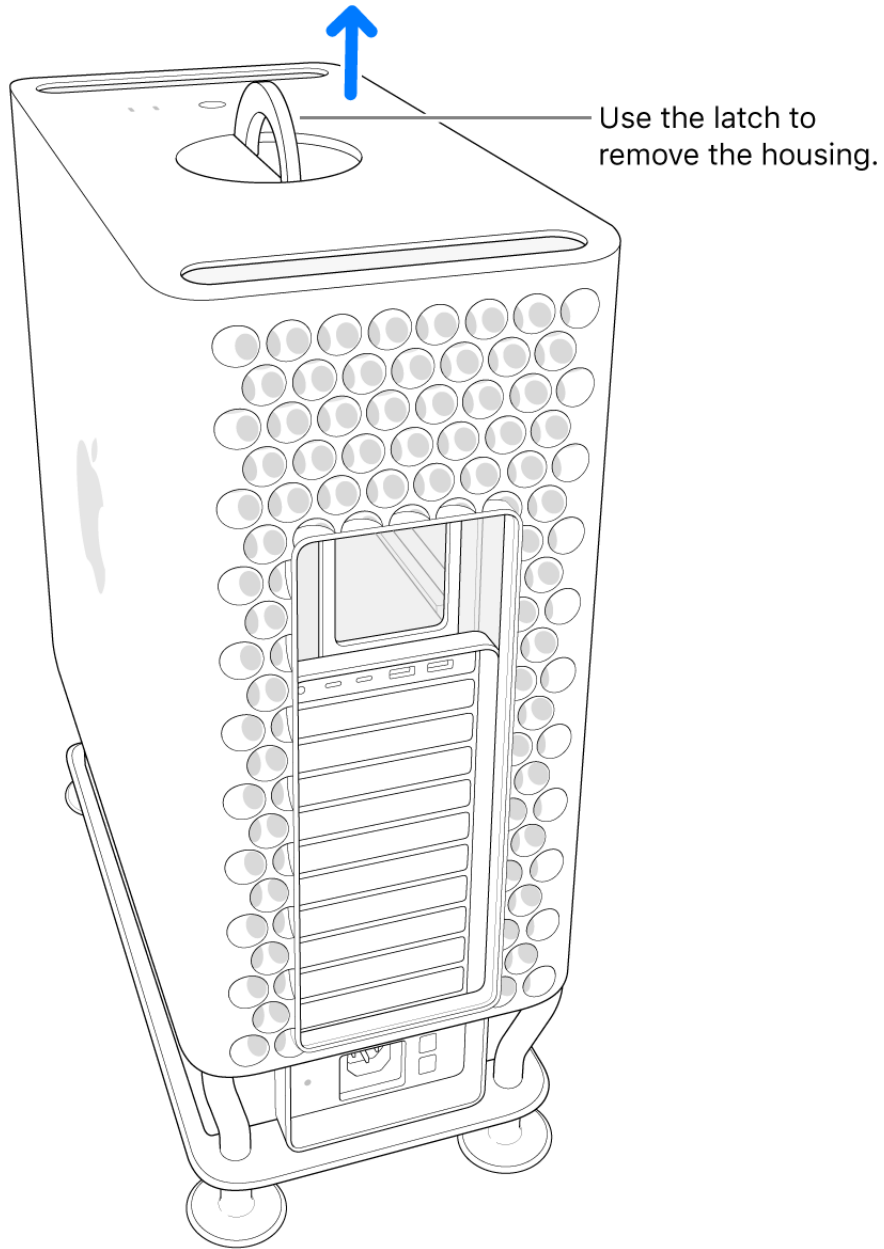


Unlocked position (dots don't match)

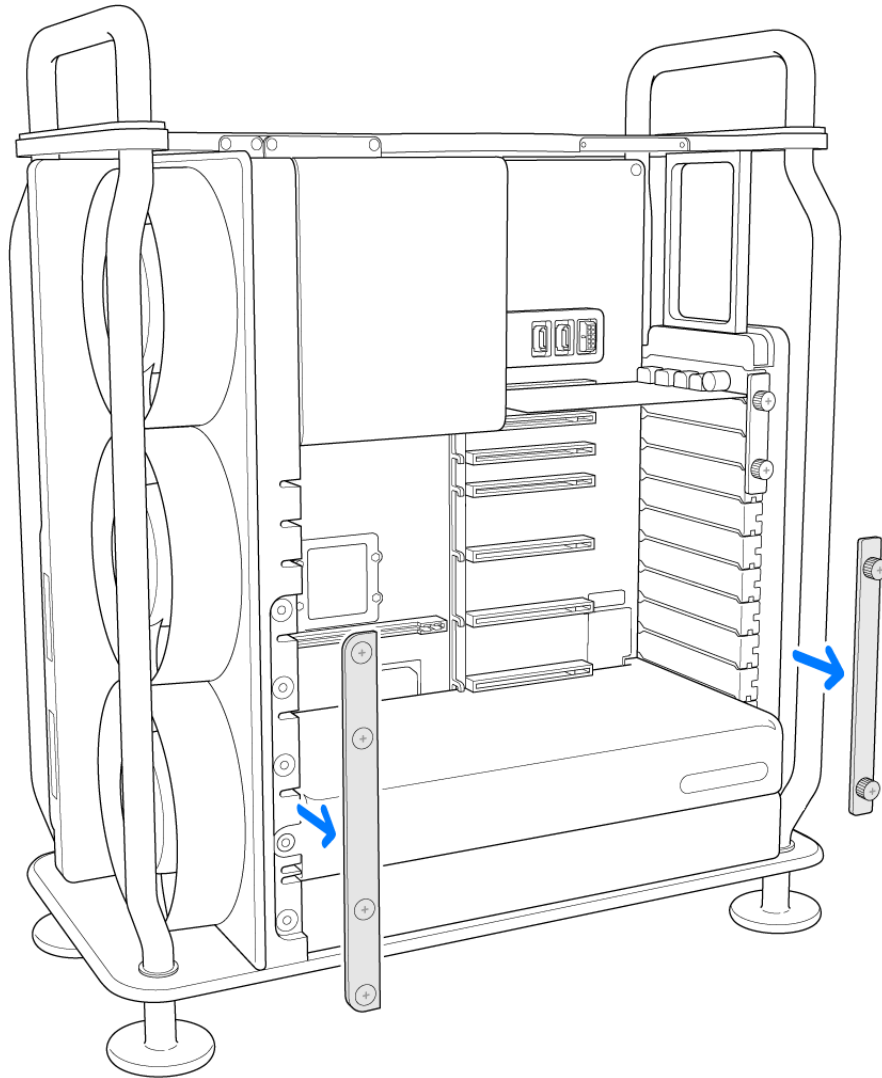


5. Remove the housing by pulling it up by the latch.

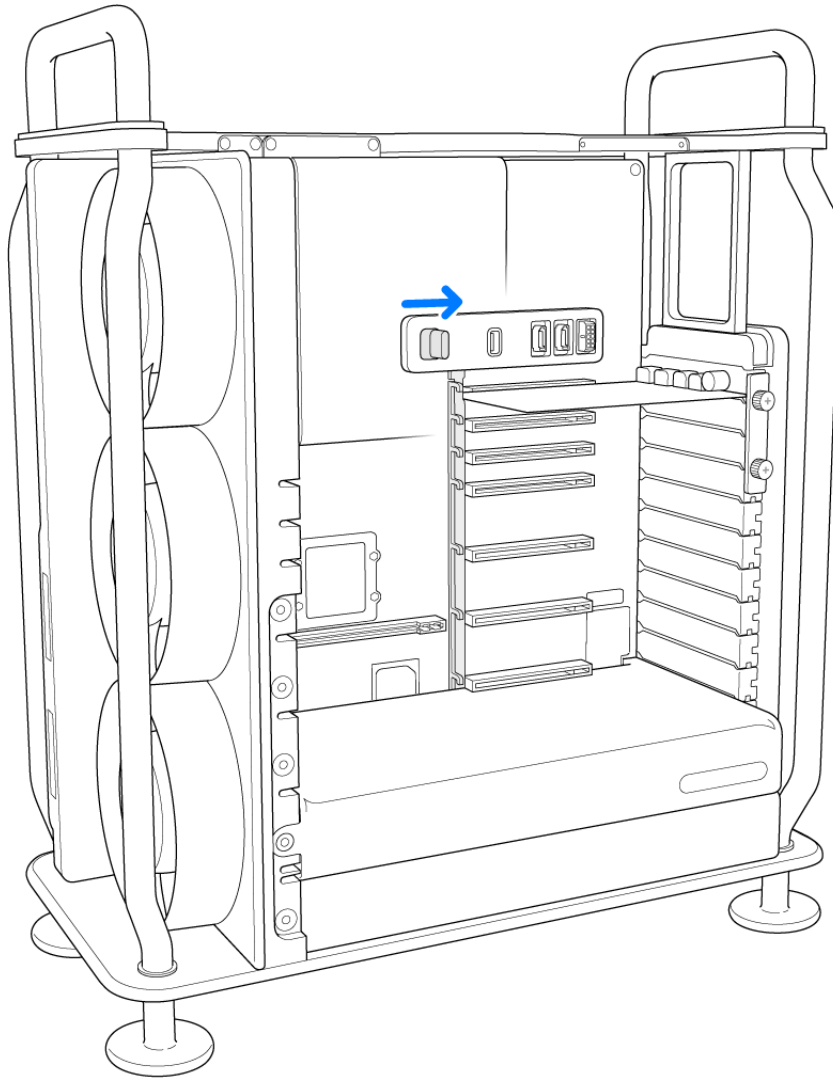
Note: Mac Pro won't start up when its housing is removed.



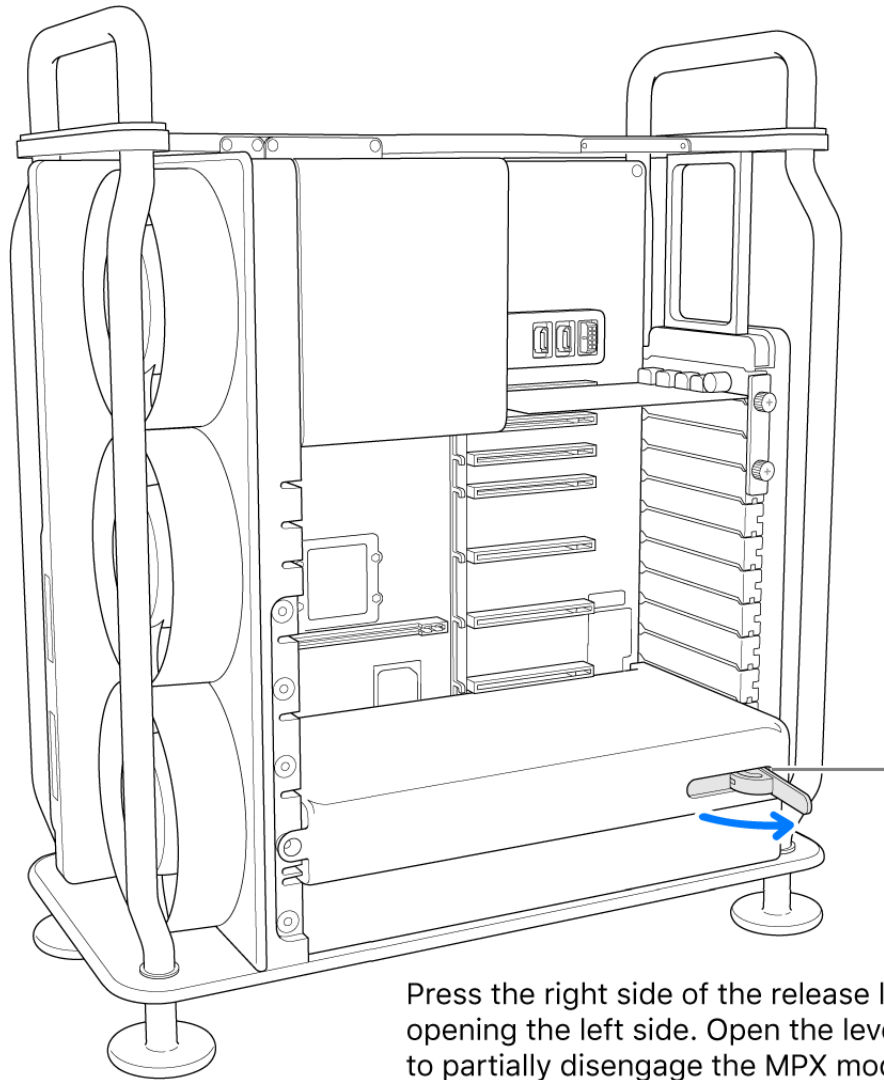
6. Remove the clamp plates using a Phillips #1 screwdriver.



7. Slide the PCI retention latch to the right.

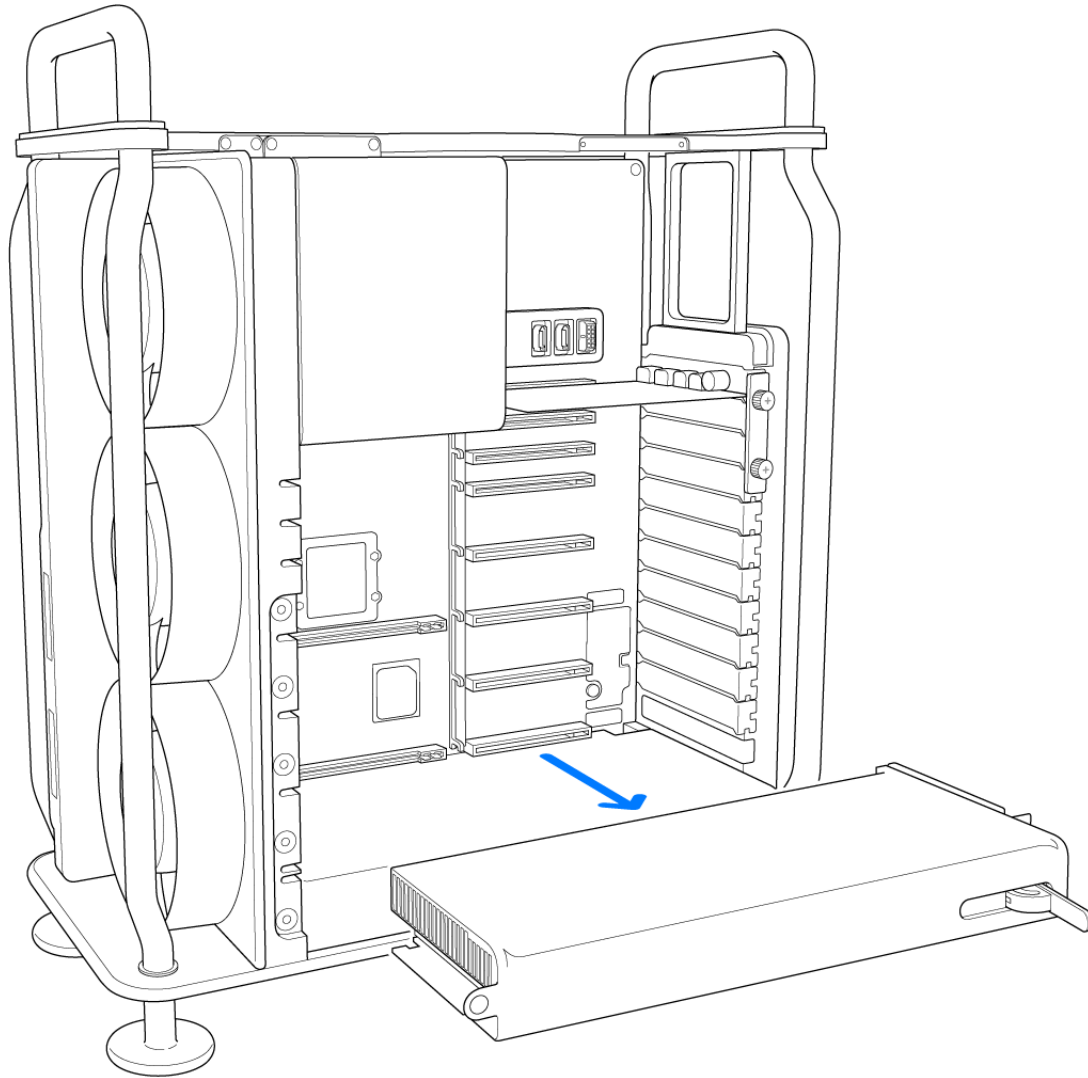


8. Use the release lever to remove the existing module.

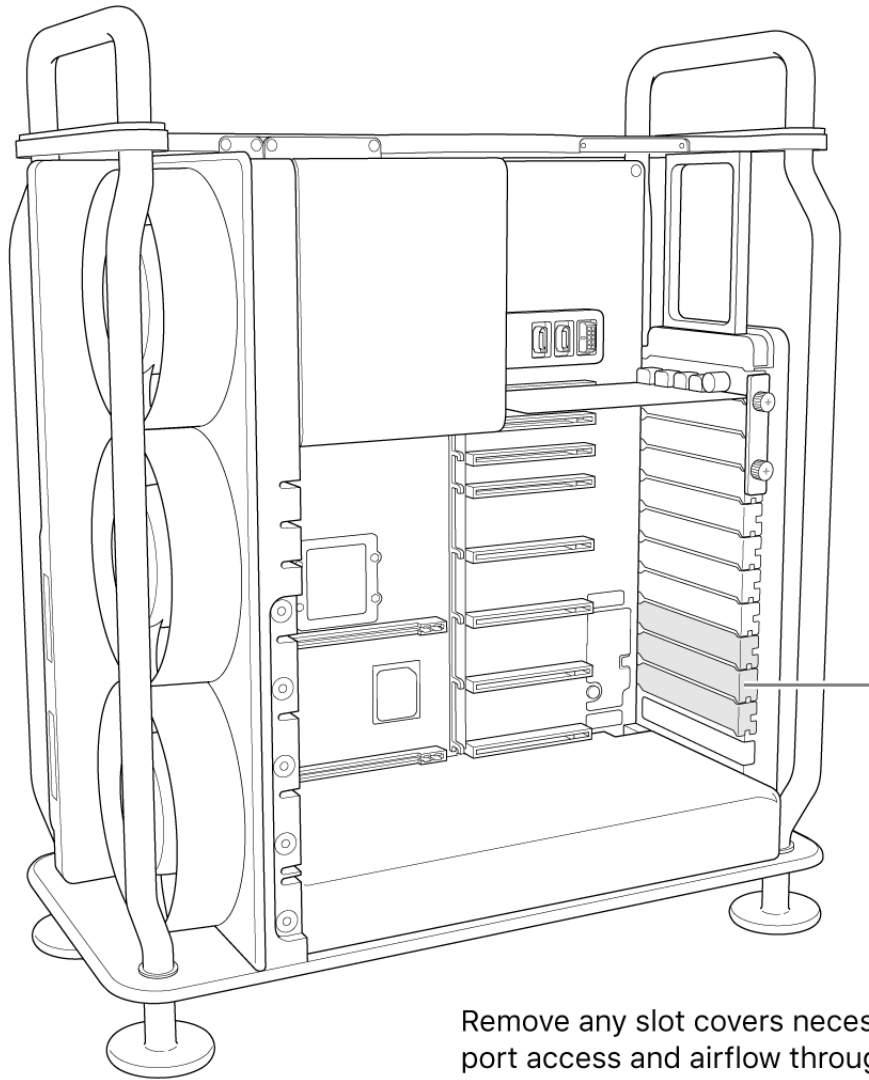


Press the right side of the release lever to start opening the left side. Open the lever completely to partially disengage the MPX module.

9. Remove the existing module.

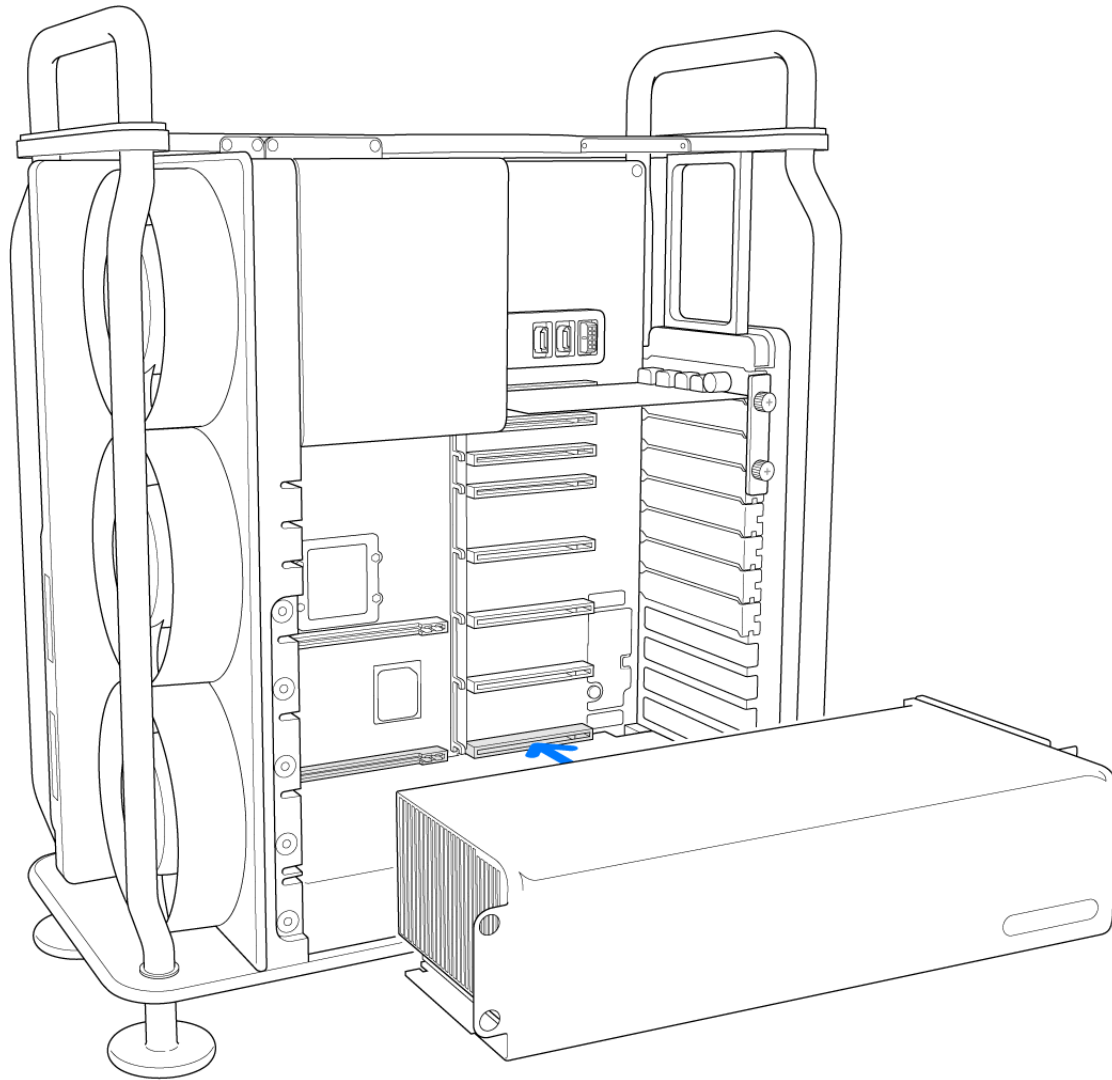


10. Remove the slot covers, if necessary.

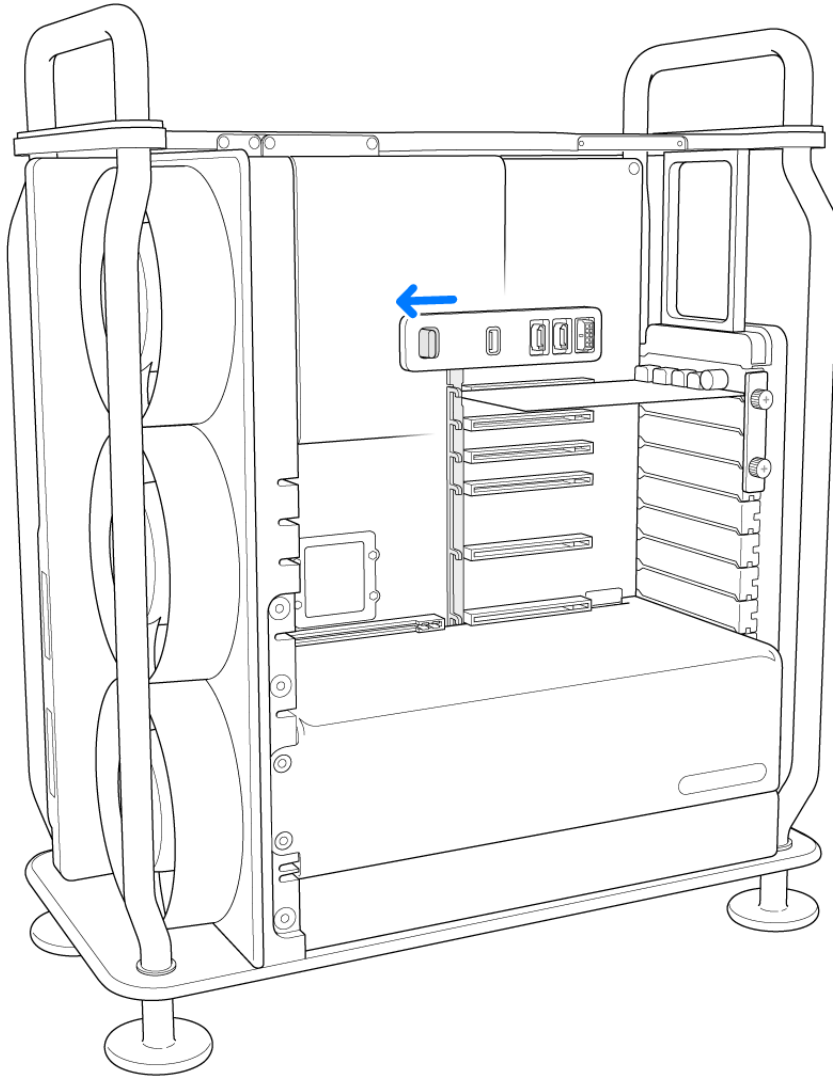


Remove any slot covers necessary for card port access and airflow through the module.

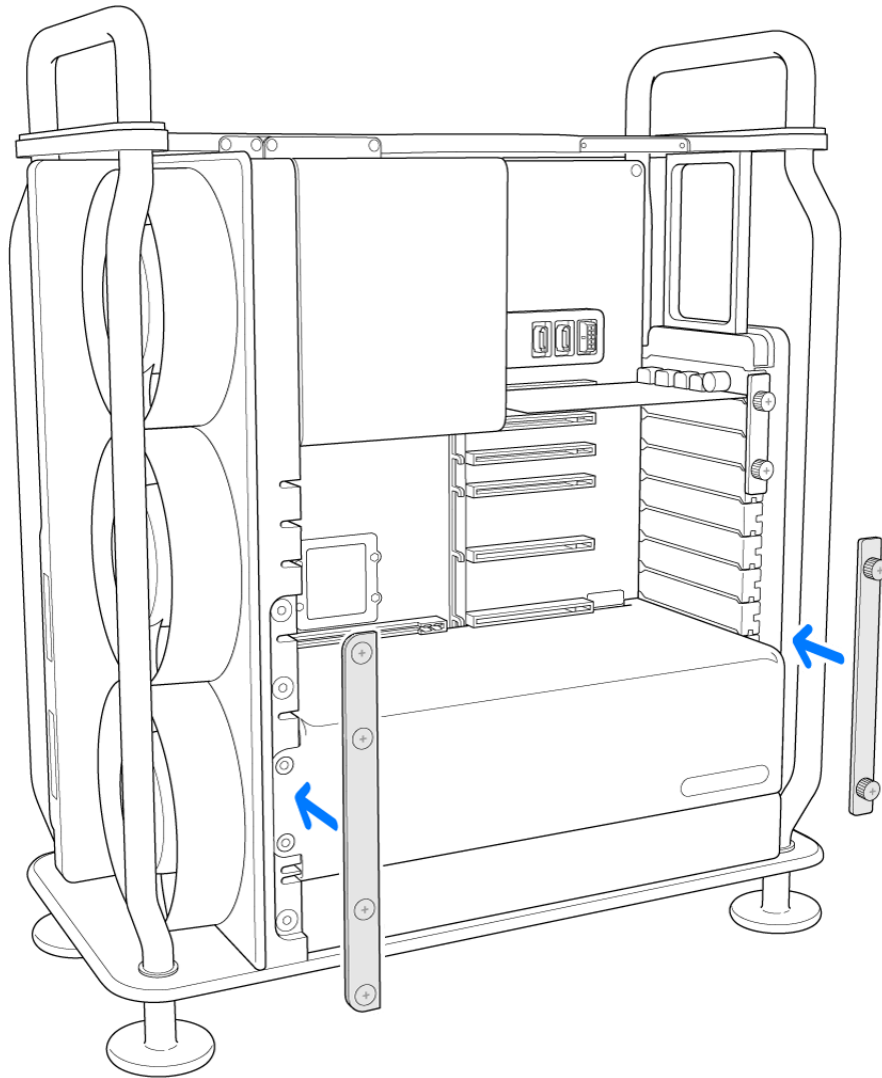
11. Push the ejection arm on the new module, then push the module into place.



12. Slide the lock to the left.



13. Reinstall the clamp plates.



14. Install a bridge board if you have two Radeon Pro Vega II modules.