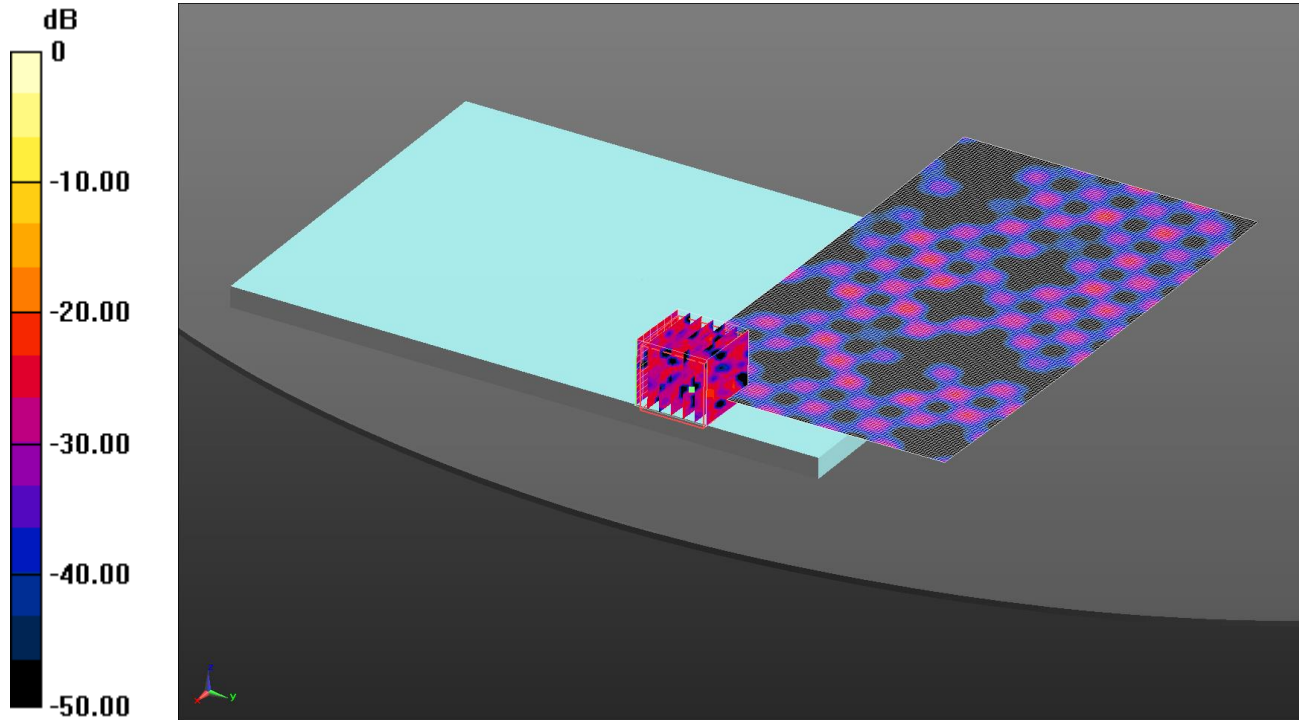


285: Back Of EUT Facing Phantom Wi-Fi 802.11n 6.5Mbps SISO Ant 1 CH165

Date: 31/07/2014

DUT: A1600; Type: FCC ID: BCGA1600



0 dB = 5.74 W/kg = 7.59 dBW/kg

Communication System: UID 0, WLAN 802.11 (0); Frequency: 5825 MHz; Duty Cycle: 1:1

Medium: 5200/5500/5800 MHz MSL Medium parameters used (interpolated): f = 5825 MHz;  $\sigma = 6.143 \text{ S/m}$ ;  $\epsilon_r = 46.335$ ;  $\rho = 1000 \text{ kg/m}^3$

Phantom section: Flat Section

DASY4 Configuration:

- Probe: EX3DV4 - SN3994; ConvF(4.27, 4.27, 4.27); Calibrated: 07/05/2014;
- Sensor-Surface: 4mm (Mechanical Surface Detection), Sensor-Surface: 2mm (Mechanical Surface Detection)
- Electronics: DAE3 Sn431; Calibrated: 18/11/2013
- Phantom: ELI v5.0; Type: QDOVA002AA; Serial: TP:xxxx
- ; SEMCAD X Version 14.6.10 (7164)

**Configuration/Back of EUT Facing Phantom- High 2 2 2/Area Scan (181x101x1):** Interpolated grid: dx=1.000 mm, dy=1.000 mm

Maximum value of SAR (interpolated) = 0.0316 W/kg

**Configuration/Back of EUT Facing Phantom- High 2 2 2/Zoom Scan (5-6 GHz) (7x7x12) 2 2 (7x7x12)/Cube 0:**

Measurement grid: dx=4mm, dy=4mm, dz=2mm

Reference Value = 2.107 V/m; Power Drift = 2.94 dB

Peak SAR (extrapolated) = 5.74 W/kg

**SAR(1 g) = 0.026 W/kg; SAR(10 g) = 0.00436 W/kg**

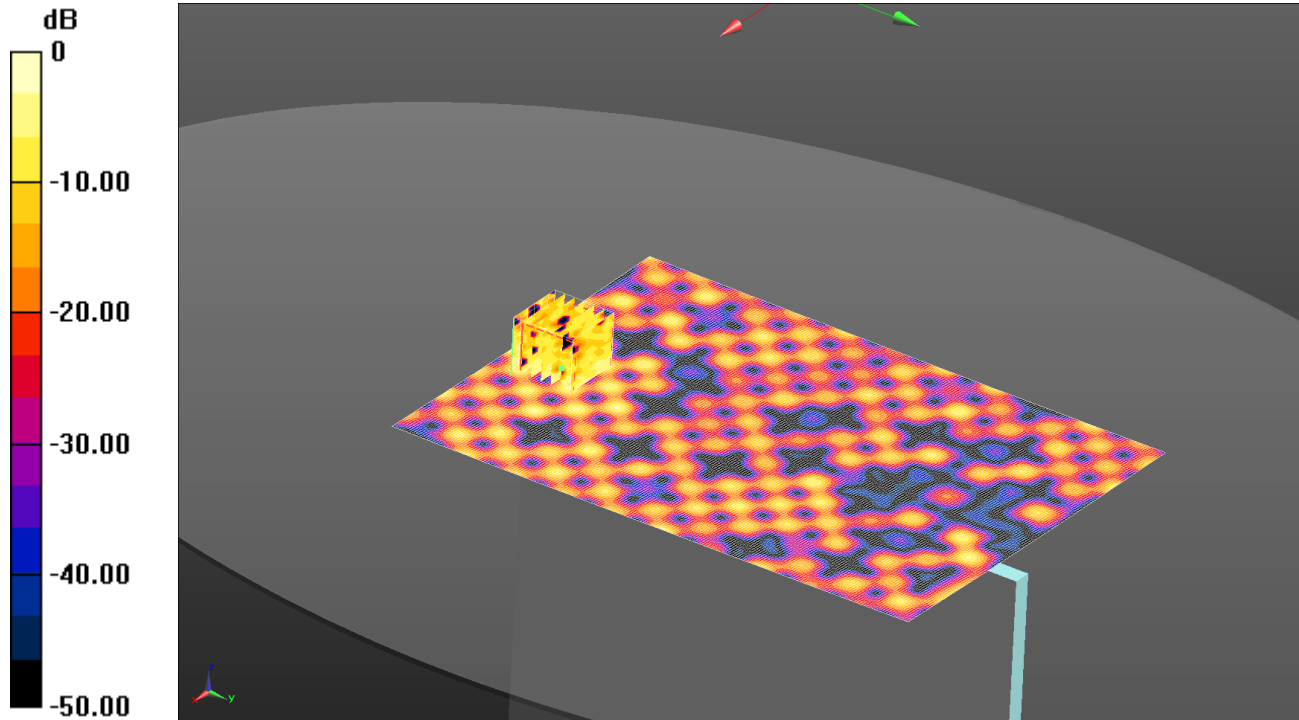
Maximum value of SAR (measured) = 5.74 W/kg

**Note: SAR level measured is very low as equivalent to noise floor.**

286: Left Hand Side Of EUT Facing Phantom Wi-Fi 802.11n 6.5Mbps SISO Ant 1 CH165

Date: 31/07/2014

DUT: A1600; Type: FCC ID: BCGA1600



0 dB = 0.116 W/kg = -9.36 dBW/kg

Communication System: UID 0, WLAN 802.11 (0); Frequency: 5825 MHz; Duty Cycle: 1:1

Medium: 5200/5500/5800 MHz MSL Medium parameters used (interpolated): f = 5825 MHz;  $\sigma = 6.143 \text{ S/m}$ ;  $\epsilon_r = 46.335$ ;  $\rho = 1000 \text{ kg/m}^3$

Phantom section: Flat Section

DASY4 Configuration:

- Probe: EX3DV4 - SN3994; ConvF(4.27, 4.27, 4.27); Calibrated: 07/05/2014;
- Sensor-Surface: 4mm (Mechanical Surface Detection), Sensor-Surface: 2mm (Mechanical Surface Detection)
- Electronics: DAE3 Sn431; Calibrated: 18/11/2013
- Phantom: ELI v5.0; Type: QDOVA002AA; Serial: TP:xxxx
- ; SEMCAD X Version 14.6.10 (7164)

**Configuration/Left Hand Side of EUT Facing Phantom- High/Area Scan (151x211x1):** Interpolated grid: dx=1.000 mm, dy=1.000 mm

Maximum value of SAR (interpolated) = 0.0492 W/kg

**Configuration/Left Hand Side of EUT Facing Phantom- High/Zoom Scan (5-6 GHz) (7x7x12) 2 2 (7x7x12)/Cube 0:**

Measurement grid: dx=4mm, dy=4mm, dz=2mm

Reference Value = 1.634 V/m; Power Drift = 3.01 dB

Peak SAR (extrapolated) = 0.429 W/kg

**SAR(1 g) = 0.022 W/kg; SAR(10 g) = 0.00837 W/kg**

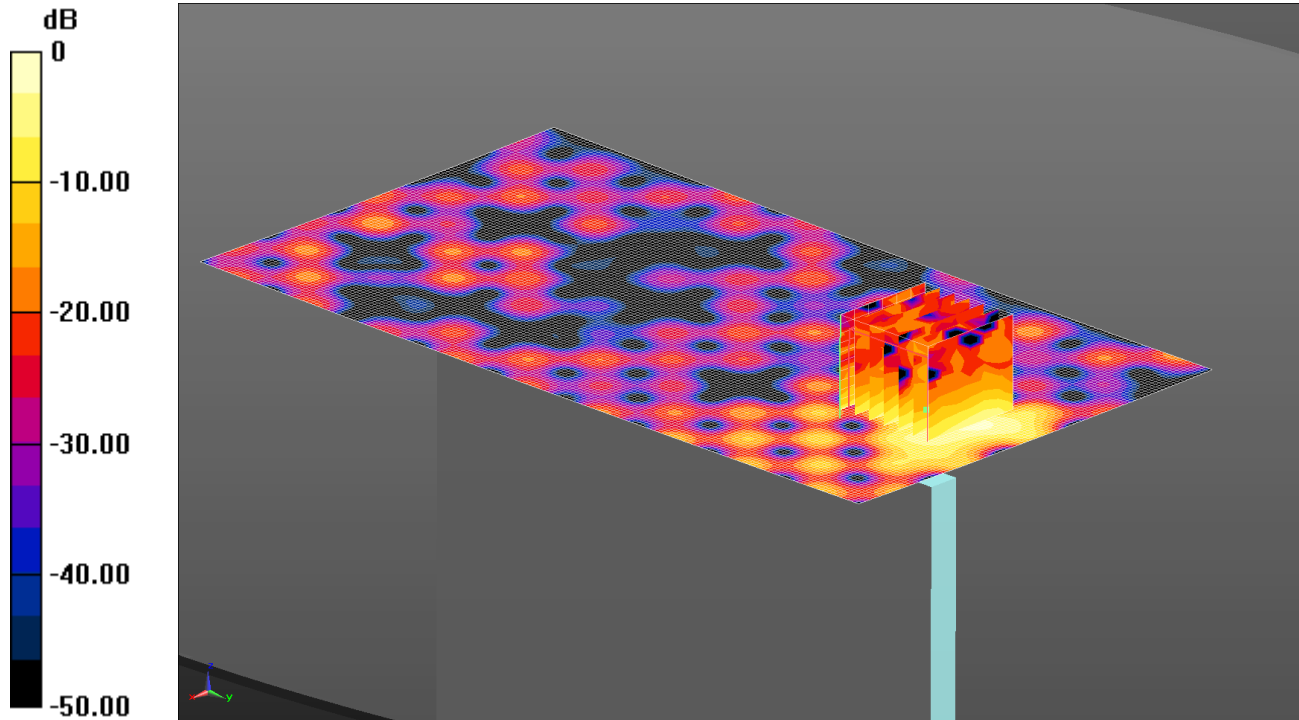
Maximum value of SAR (measured) = 0.116 W/kg

**Note: SAR level measured is very low as equivalent to noise floor.**

287: Bottom Of EUT Facing Phantom Wi-Fi 802.11n 6.5Mbps SISO Ant 1 CH165

Date: 31/07/2014

DUT: A1600; Type: FCC ID: BCGA1600



0 dB = 1.42 W/kg = 1.52 dBW/kg

Communication System: UID 0, WLAN 802.11 (0); Frequency: 5825 MHz; Duty Cycle: 1:1

Medium: 5200/5500/5800 MHz MSL Medium parameters used (interpolated): f = 5825 MHz;  $\sigma = 6.143 \text{ S/m}$ ;  $\epsilon_r = 46.335$ ;  $\rho = 1000 \text{ kg/m}^3$

Phantom section: Flat Section

DASY4 Configuration:

- Probe: EX3DV4 - SN3994; ConvF(4.27, 4.27, 4.27); Calibrated: 07/05/2014;
- Sensor-Surface: 4mm (Mechanical Surface Detection), Sensor-Surface: 2mm (Mechanical Surface Detection)
- Electronics: DAE3 Sn431; Calibrated: 18/11/2013
- Phantom: ELI v5.0; Type: QDOVA002AA; Serial: TP:xxxx
- ; SEMCAD X Version 14.6.10 (7164)

**Configuration/Bottom of EUT Facing Phantom- High/Area Scan (101x181x1):** Interpolated grid: dx=1.000 mm, dy=1.000 mm

Maximum value of SAR (interpolated) = 1.30 W/kg

**Configuration/Bottom of EUT Facing Phantom- High/Zoom Scan (5-6 GHz) (7x7x12) 2 2 (7x7x12)/Cube 0:**

Measurement grid: dx=4mm, dy=4mm, dz=2mm

Reference Value = 12.157 V/m; Power Drift = 0.131 dB

Peak SAR (extrapolated) = 3.55 W/kg

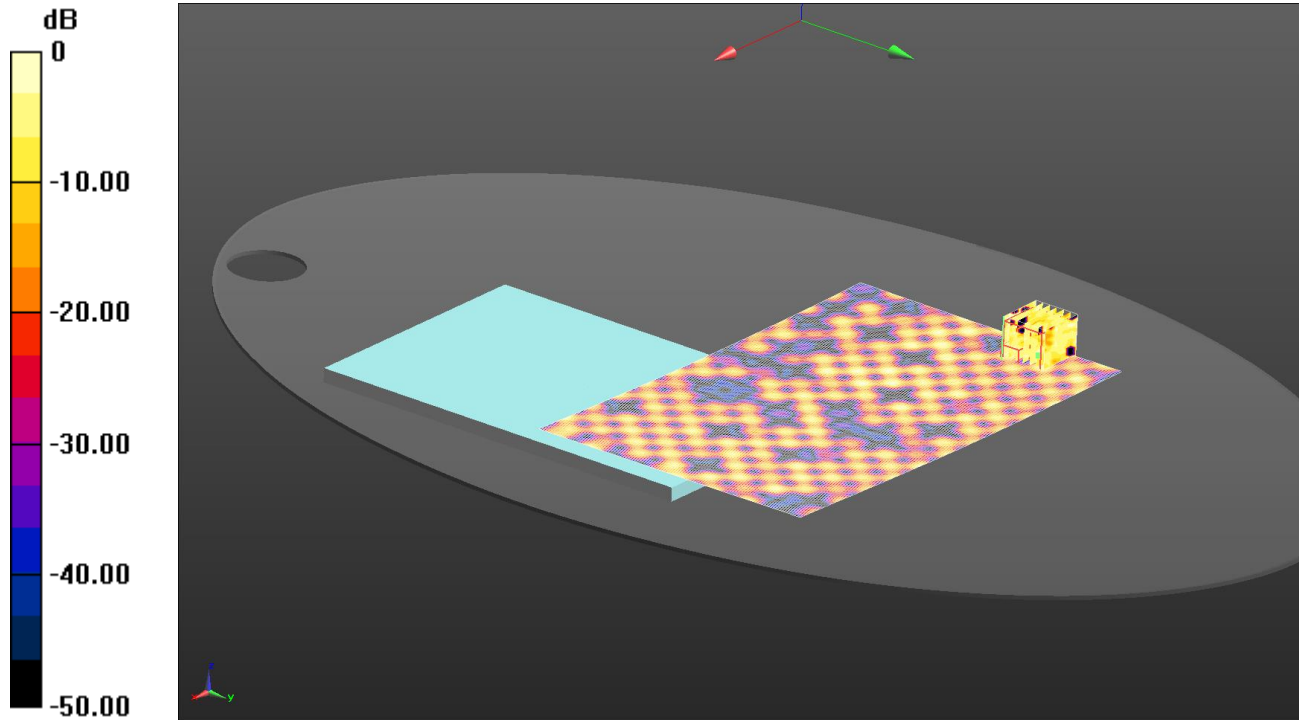
**SAR(1 g) = 0.688 W/kg; SAR(10 g) = 0.229 W/kg**

Maximum value of SAR (measured) = 1.42 W/kg

288: Back Of EUT Facing Phantom Wi-Fi 802.11n HT20 6.5Mbps SISO Ant 2 CH157

Date: 01/08/2014

DUT: A1600; Type: FCC ID: BCGA1600



0 dB = 0.0518 W/kg = -12.86 dBW/kg

Communication System: UID 0, WLAN 802.11 (0); Frequency: 5785 MHz; Duty Cycle: 1:1

Medium: 5200/5500/5800 MHz MSL Medium parameters used (interpolated): f = 5785 MHz;  $\sigma = 6.096 \text{ S/m}$ ;  $\epsilon_r = 46.388$ ;  $\rho = 1000 \text{ kg/m}^3$

Phantom section: Flat Section

DASY4 Configuration:

- Probe: EX3DV4 - SN3994; ConvF(4.27, 4.27, 4.27); Calibrated: 07/05/2014;
- Sensor-Surface: 4mm (Mechanical Surface Detection), Sensor-Surface: 2mm (Mechanical Surface Detection)
- Electronics: DAE3 Sn431; Calibrated: 18/11/2013
- Phantom: ELI v5.0; Type: QDOVA002AA; Serial: TP:xxxx
- ; SEMCAD X Version 14.6.10 (7164)

**Configuration/Back of EUT Facing Phantom- High/Area Scan (241x151x1):** Interpolated grid: dx=1.000 mm, dy=1.000 mm

Maximum value of SAR (interpolated) = 0.0340 W/kg

**Configuration/Back of EUT Facing Phantom- High/Zoom Scan (5-6 GHz) (7x7x12) 2 2 (7x7x12)/Cube 0:** Measurement grid: dx=4mm, dy=4mm, dz=2mm

Reference Value = 2.429 V/m; Power Drift = 0.75 dB

Peak SAR (extrapolated) = 0.112 W/kg

**SAR(1 g) = 0.0066 W/kg; SAR(10 g) = 0.00229 W/kg**

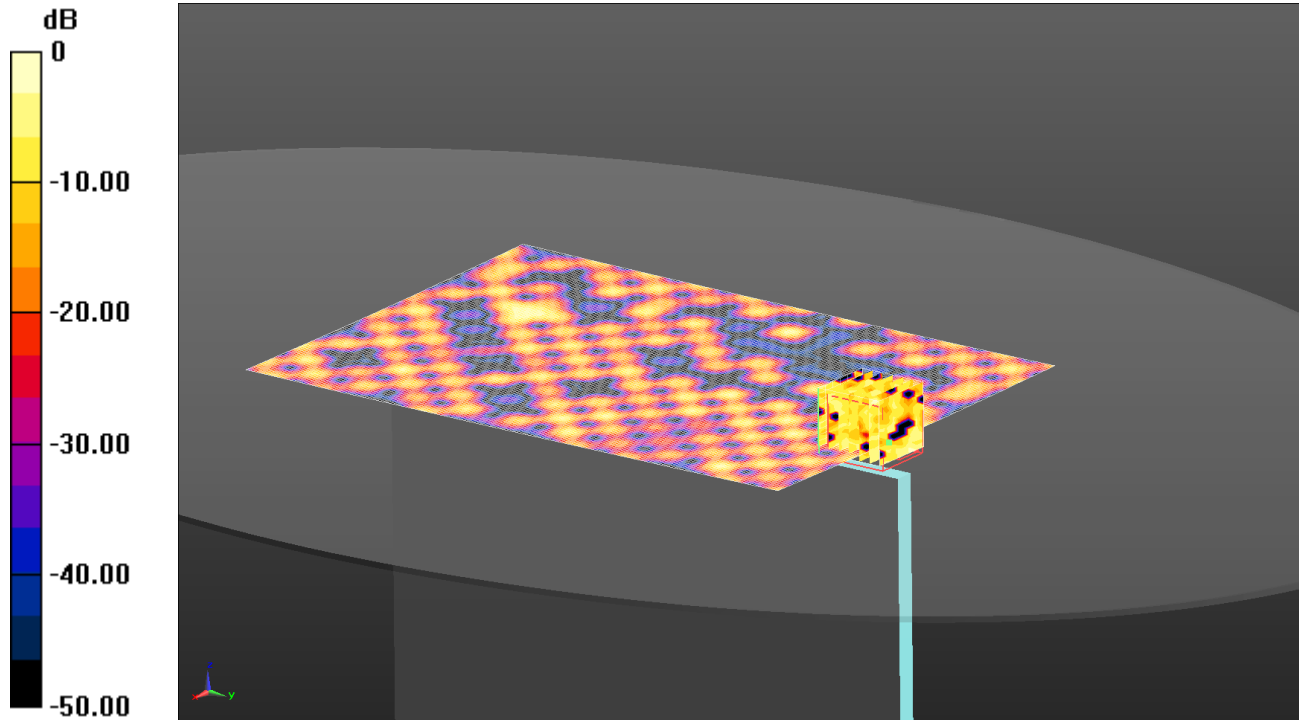
Maximum value of SAR (measured) = 0.0518 W/kg

**Note: SAR level measured is very low as equivalent to noise floor.**

289: Right Hand Side Of EUT Facing Phantom Wi-Fi 802.11n HT20 6.5Mbps SISO Ant 2 CH157

Date: 01/08/2014

DUT: A1600; Type: FCC ID: BCGA1600



0 dB = 0.0917 W/kg = -10.38 dBW/kg

Communication System: UID 0, WLAN 802.11 (0); Frequency: 5785 MHz; Duty Cycle: 1:1

Medium: 5200/5500/5800 MHz MSL Medium parameters used (interpolated): f = 5785 MHz;  $\sigma = 6.096$  S/m;  $\epsilon_r = 46.388$ ;  $\rho = 1000$  kg/m<sup>3</sup>

Phantom section: Flat Section

DASY4 Configuration:

- Probe: EX3DV4 - SN3994; ConvF(4.27, 4.27, 4.27); Calibrated: 07/05/2014;
- Sensor-Surface: 4mm (Mechanical Surface Detection), Sensor-Surface: 2mm (Mechanical Surface Detection)
- Electronics: DAE3 Sn431; Calibrated: 18/11/2013
- Phantom: ELI v5.0; Type: QDOVA002AA; Serial: TP:xxxx
- ; SEMCAD X Version 14.6.10 (7164)

**Configuration/Right Hand Side of EUT Facing Phantom- High/Area Scan (151x211x1):** Interpolated grid: dx=1.000 mm, dy=1.000 mm

Maximum value of SAR (interpolated) = 0.0336 W/kg

**Configuration/Right Hand Side of EUT Facing Phantom- High/Zoom Scan (5-6 GHz) (7x7x12) 2 2 (7x7x12)/Cube 0:**

Measurement grid: dx=4mm, dy=4mm, dz=2mm

Reference Value = 3.446 V/m; Power Drift = 2.11 dB

Peak SAR (extrapolated) = 0.170 W/kg

**SAR(1 g) = 0.015 W/kg; SAR(10 g) = 0.00564 W/kg**

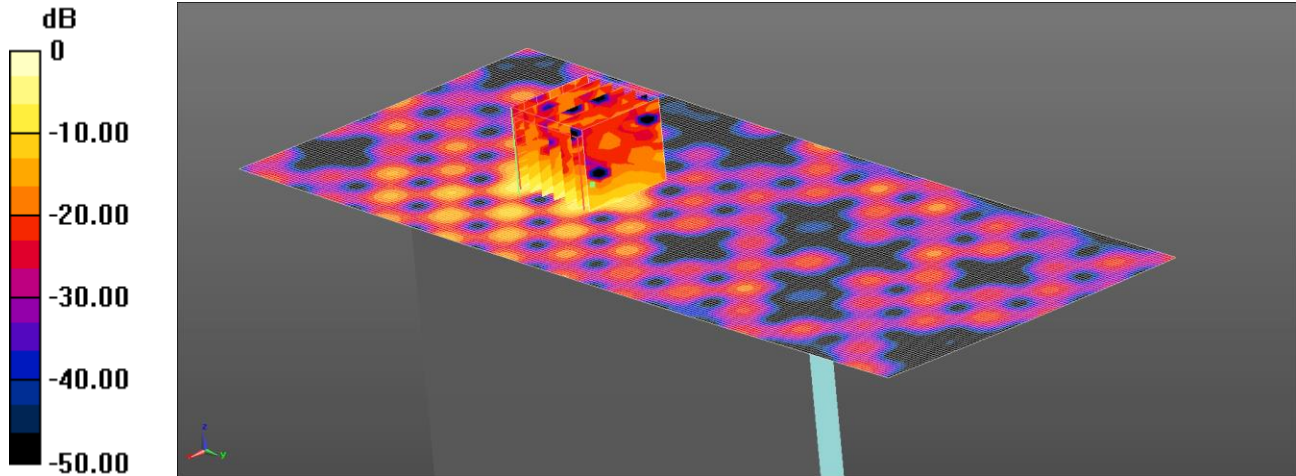
Maximum value of SAR (measured) = 0.0917 W/kg

**Note: SAR level measured is very low as equivalent to noise floor.**

290: Bottom Of EUT Facing Phantom Wi-Fi 802.11n HT20 6.5Mbps SISO Ant 2 CH157

Date: 01/08/2014

**DUT: A1600; Type: FCC ID: BCGA1600** Date: 01/08/14



0 dB = 1.65 W/kg = 2.17 dBW/kg

Communication System: UID 0, WLAN 802.11 (0); Frequency: 5785 MHz; Duty Cycle: 1:1

Medium: 5200/5500/5800 MHz MSL Medium parameters used (interpolated): f = 5785 MHz;  $\sigma = 6.096$  S/m;  $\epsilon_r = 46.388$ ;  $\rho = 1000$  kg/m<sup>3</sup>

Phantom section: Flat Section

DASY4 Configuration:

- Probe: EX3DV4 - SN3994; ConvF(4.27, 4.27, 4.27); Calibrated: 07/05/14;
- Sensor-Surface: 4mm (Mechanical Surface Detection), Sensor-Surface: 2mm (Mechanical Surface Detection)
- Electronics: DAE3 Sn431; Calibrated: 18/11/13
- Phantom: ELI v5.0; Type: QDOVA002AA; Serial: TP:xxxx
- ; SEMCAD X Version 14.6.10 (7331)

Configuration/Bottom of EUT Facing Phantom- High 2 2 2/Area Scan (91x221x1): Interpolated grid: dx=1.000 mm, dy=1.000 mm

Maximum value of SAR (interpolated) = 1.04 W/kg

Configuration/Bottom of EUT Facing Phantom- High 2 2 2/Zoom Scan (5-6 GHz) (7x7x12) 2 2 (7x7x12)/Cube 0:

Measurement grid: dx=4mm, dy=4mm, dz=2mm

Reference Value = 9.488 V/m; Power Drift = 0.16 dB

Peak SAR (extrapolated) = 4.62 W/kg

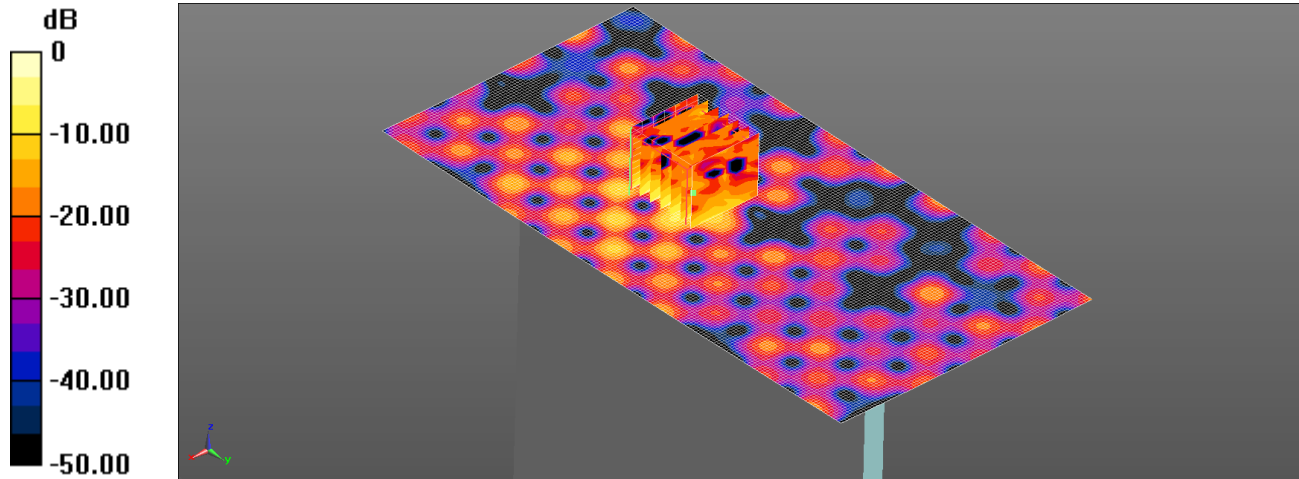
SAR(1 g) = 0.833 W/kg; SAR(10 g) = 0.228 W/kg

Maximum value of SAR (measured) = 1.65 W/kg

291: Bottom Of EUT Facing Phantom Wi-Fi 802.11n HT20 6.5Mbps SISO Ant 2 CH149

Date: 01/08/2014

DUT: A1600; Type: FCC ID: BCGA1600



0 dB = 1.03 W/kg = 0.13 dBW/kg

Communication System: UID 0, WLAN 802.11 (0); Frequency: 5745 MHz; Duty Cycle: 1:1

Medium: 5200/5500/5800 MHz MSL Medium parameters used (interpolated):  $f = 5745$  MHz;  $\sigma = 6.048$  S/m;  $\epsilon_r = 46.399$ ;  $\rho = 1000$  kg/m<sup>3</sup>

Phantom section: Flat Section

DASY4 Configuration:

- Probe: EX3DV4 - SN3994; ConvF(4.27, 4.27, 4.27); Calibrated: 07/05/2014;
- Sensor-Surface: 4mm (Mechanical Surface Detection), Sensor-Surface: 2mm (Mechanical Surface Detection)
- Electronics: DAE3 Sn431; Calibrated: 18/11/2013
- Phantom: ELI v5.0; Type: QDOVA002AA; Serial: TP:xxxx
- ; SEMCAD X Version 14.6.10 (7164)

**Configuration/Bottom of EUT Facing Phantom- High 2 2 2/Area Scan (91x181x1):** Interpolated grid: dx=1.000 mm, dy=1.000 mm

Maximum value of SAR (interpolated) = 1.03 W/kg

**Configuration/Bottom of EUT Facing Phantom- High 2 2 2/Zoom Scan (5-6 GHz) (7x7x12) 2 2 (7x7x12)/Cube 0:**

Measurement grid: dx=4mm, dy=4mm, dz=2mm

Reference Value = 1.764 V/m; Power Drift = 0.157 dB

Peak SAR (extrapolated) = 1.88 W/kg

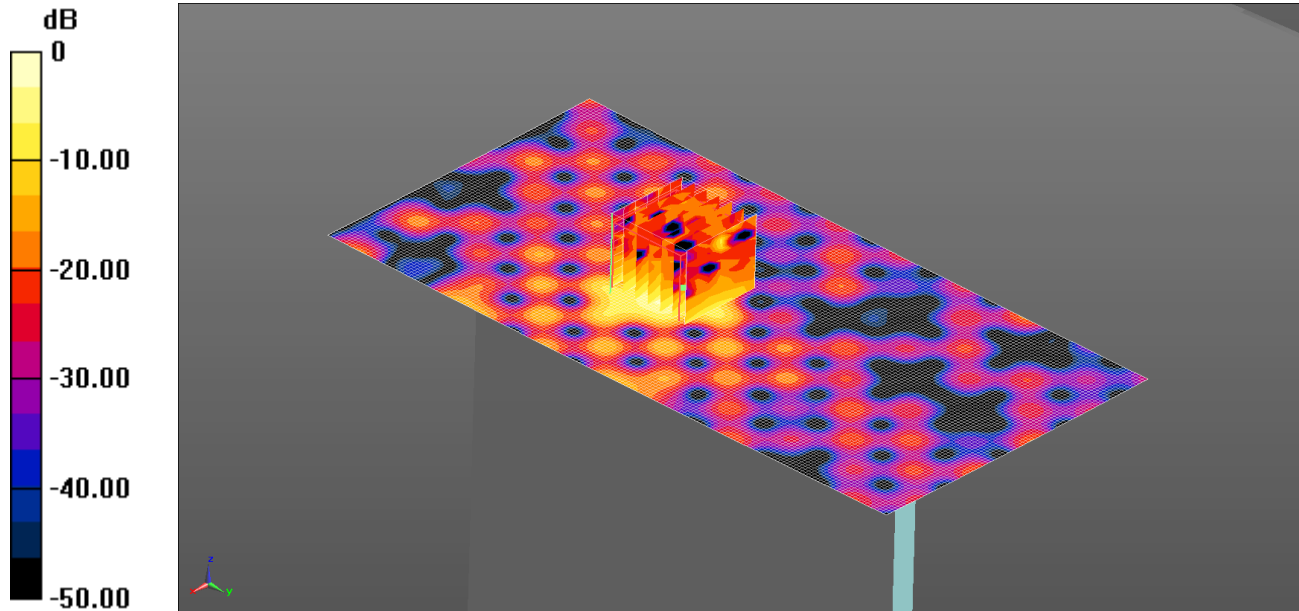
**SAR(1 g) = 0.463 W/kg; SAR(10 g) = 0.129 W/kg**

Maximum value of SAR (measured) = 1.03 W/kg

292: Bottom Of EUT Facing Phantom Wi-Fi 802.11n HT20 6.5Mbps SISO Ant 2 CH165

Date: 01/08/2014

DUT: A1600; Type: FCC ID: BCGA1600



0 dB = 1.72 W/kg = 2.36 dBW/kg

Communication System: UID 0, WLAN 802.11 (0); Frequency: 5825 MHz; Duty Cycle: 1:1

Medium: 5200/5500/5800 MHz MSL Medium parameters used (interpolated):  $f = 5825$  MHz;  $\sigma = 6.143$  S/m;  $\epsilon_r = 46.335$ ;  $\rho = 1000$  kg/m<sup>3</sup>

Phantom section: Flat Section

DASY4 Configuration:

- Probe: EX3DV4 - SN3994; ConvF(4.27, 4.27, 4.27); Calibrated: 07/05/2014;
- Sensor-Surface: 4mm (Mechanical Surface Detection), Sensor-Surface: 2mm (Mechanical Surface Detection)
- Electronics: DAE3 Sn431; Calibrated: 18/11/2013
- Phantom: ELI v5.0; Type: QDOVA002AA; Serial: TP:xxxx
- ; SEMCAD X Version 14.6.10 (7164)

**Configuration/Bottom of EUT Facing Phantom- High 2 2 2/Area Scan (91x181x1):** Interpolated grid: dx=1.000 mm, dy=1.000 mm

Maximum value of SAR (interpolated) = 1.36 W/kg

**Configuration/Bottom of EUT Facing Phantom- High 2 2 2/Zoom Scan (5-6 GHz) (7x7x12) 2 2 (7x7x12)/Cube 0:**

Measurement grid: dx=4mm, dy=4mm, dz=2mm

Reference Value = 9.284 V/m; Power Drift = 0.13 dB

Peak SAR (extrapolated) = 4.37 W/kg

**SAR(1 g) = 0.839 W/kg; SAR(10 g) = 0.246 W/kg**

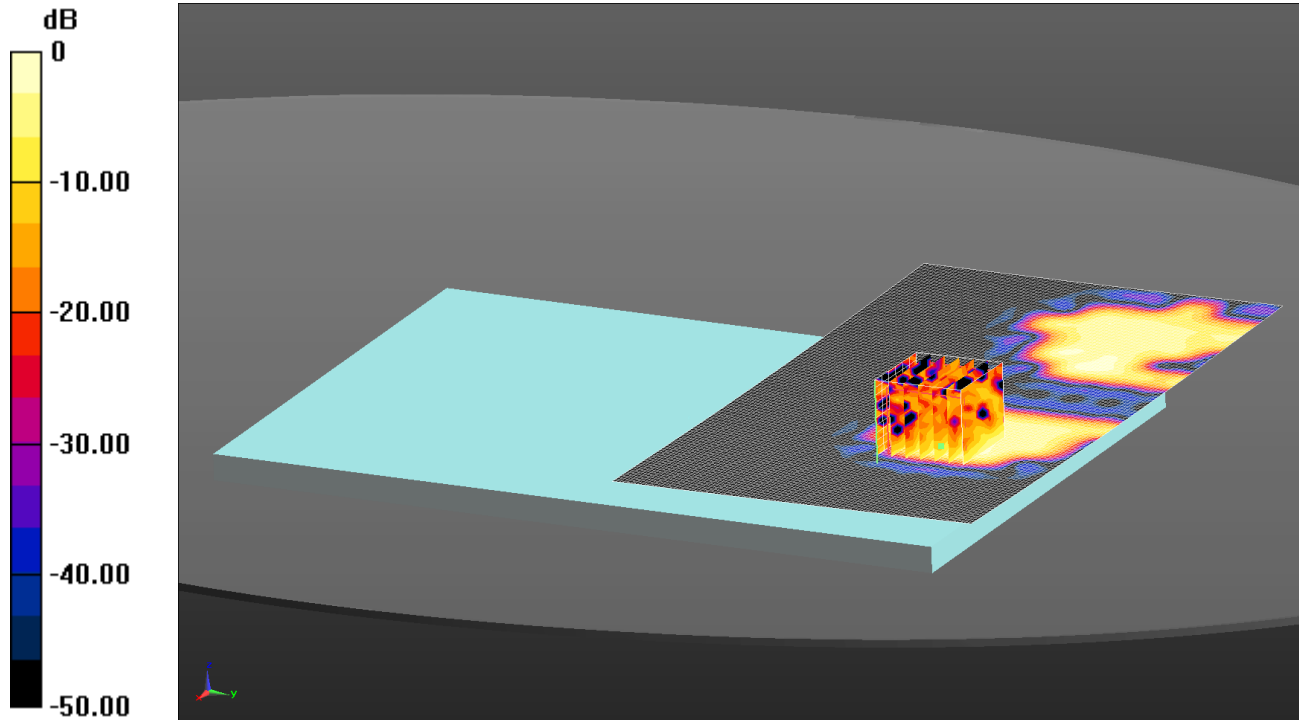
Maximum value of SAR (measured) = 1.72 W/kg



293: Back Of EUT Facing Phantom Wi-Fi 802.11n 6.5Mbps MIMO Ant 1+2 CH165

Date: 04/08/2014

DUT: A1600; Type: FCC ID: BCGA1600



0 dB = 0.153 W/kg = -8.15 dBW/kg

Communication System: UID 0, WLAN 802.11 (0); Frequency: 5825 MHz; Duty Cycle: 1:1

Medium: 5200/5500/5800 MHz MSL Medium parameters used (interpolated): f = 5825 MHz;  $\sigma = 6.006 \text{ S/m}$ ;  $\epsilon_r = 46.857$ ;  $\rho = 1000 \text{ kg/m}^3$

Phantom section: Flat Section

DASY4 Configuration:

- Probe: EX3DV4 - SN3994; ConvF(4.27, 4.27, 4.27); Calibrated: 07/05/2014;
- Sensor-Surface: 4mm (Mechanical Surface Detection), Sensor-Surface: 2mm (Mechanical Surface Detection)
- Electronics: DAE3 Sn431; Calibrated: 18/11/2013
- Phantom: ELI v5.0; Type: QDOVA002AA; Serial: TP:xxxx
- ; SEMCAD X Version 14.6.10 (7164)

**Configuration/Back of EUT Facing Phantom- High 2 2 2 2/Area Scan (181x101x1):** Interpolated grid: dx=1.000 mm, dy=1.000 mm

Maximum value of SAR (interpolated) = 0.139 W/kg

**Configuration/Back of EUT Facing Phantom- High 2 2 2 2/Zoom Scan (5-6 GHz) (7x7x12) 2 2 (7x7x12)/Cube 0:**

Measurement grid: dx=4mm, dy=4mm, dz=2mm

Reference Value = 0.742 V/m; Power Drift = 0.90 dB

Peak SAR (extrapolated) = 0.317 W/kg

**SAR(1 g) = 0.081 W/kg; SAR(10 g) = 0.027 W/kg**

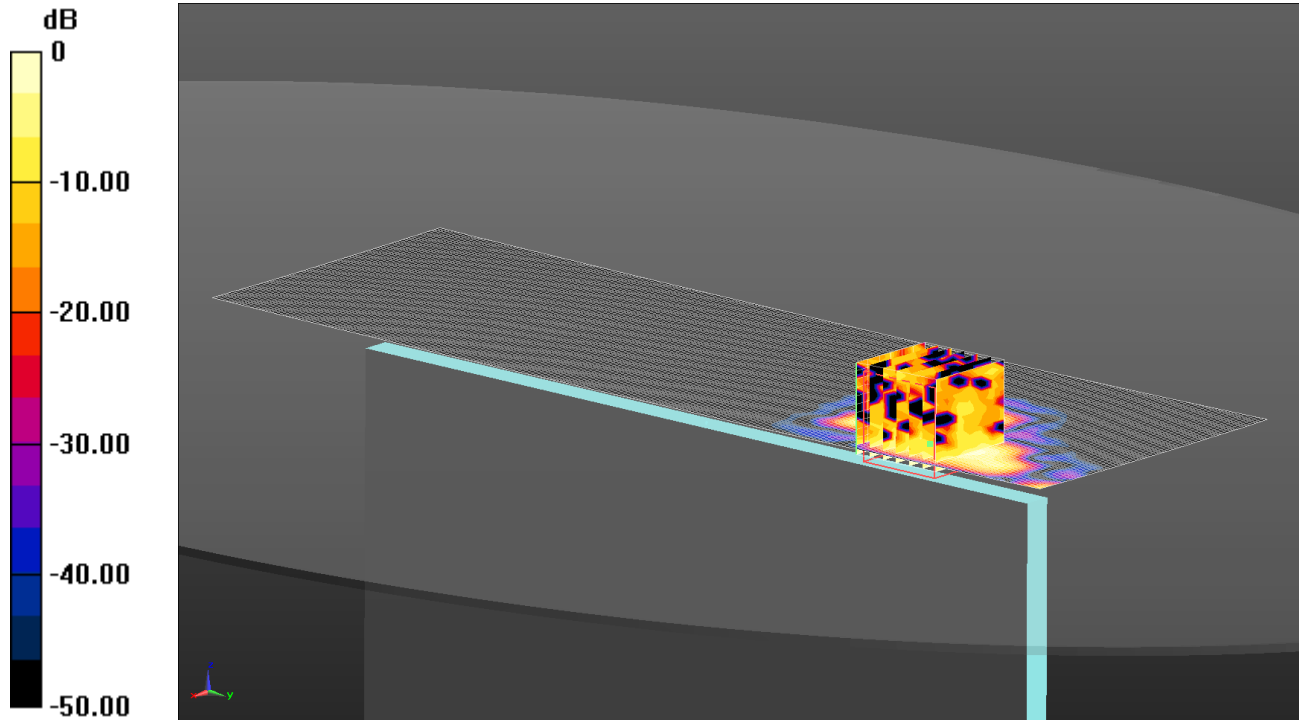
Maximum value of SAR (measured) = 0.153 W/kg

**Note: SAR level measured is very low as equivalent to noise floor.**

294: Right hand side Of EUT Facing Phantom Wi-Fi 802.11n 6.5Mbps MIMO Ant 1+2 CH165

Date: 04/08/2014

DUT: A1600; Type: FCC ID: BCGA1600



0 dB = 0.0558 W/kg = -12.53 dBW/kg

Communication System: UID 0, WLAN 802.11 (0); Frequency: 5825 MHz;Duty Cycle: 1:1

Medium: 5200/5500/5800 MHz MSL Medium parameters used (interpolated): f = 5825 MHz;  $\sigma = 6.006 \text{ S/m}$ ;  $\epsilon_r = 46.857$ ;  $\rho = 1000 \text{ kg/m}^3$

Phantom section: Flat Section

DASY4 Configuration:

- Probe: EX3DV4 - SN3994; ConvF(4.27, 4.27, 4.27); Calibrated: 07/05/2014;
- Sensor-Surface: 4mm (Mechanical Surface Detection), Sensor-Surface: 2mm (Mechanical Surface Detection)
- Electronics: DAE3 Sn431; Calibrated: 18/11/2013
- Phantom: ELI v5.0; Type: QDOVA002AA; Serial: TP:xxxx
- ; SEMCAD X Version 14.6.10 (7164)

**Configuration/Back of EUT Facing Phantom- High 2 2/Area Scan (81x251x1):** Interpolated grid: dx=1.000 mm, dy=1.000 mm

Maximum value of SAR (interpolated) = 0.0711 W/kg

**Configuration/Back of EUT Facing Phantom- High 2 2/Zoom Scan (5-6 GHz) (7x7x12) 2 2 (7x7x12)/Cube 0:**

Measurement grid: dx=4mm, dy=4mm, dz=2mm

Reference Value = 2.675 V/m; Power Drift = 0.52 dB

Peak SAR (extrapolated) = 0.262 W/kg

**SAR(1 g) = 0.024 W/kg; SAR(10 g) = 0.00904 W/kg**

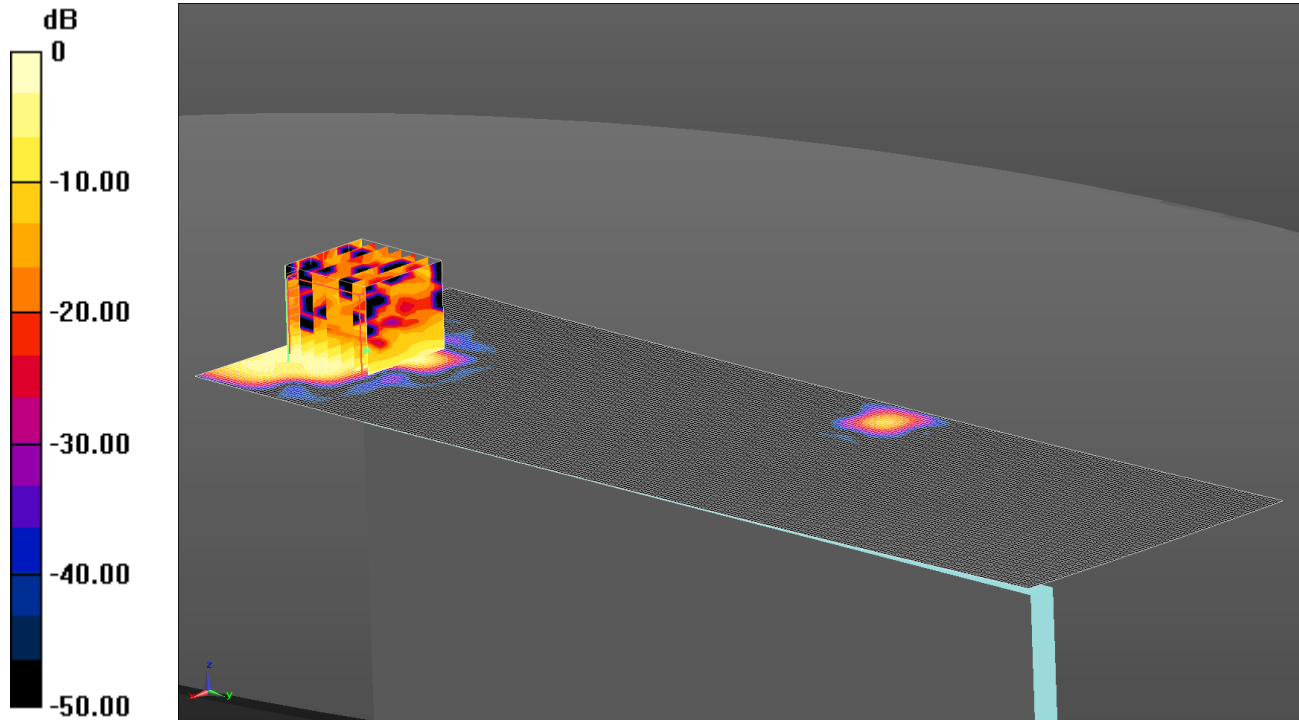
Maximum value of SAR (measured) = 0.0558 W/kg

**Note: SAR level measured is very low as equivalent to noise floor.**

295: Left hand side Of EUT Facing Phantom Wi-Fi 802.11n 6.5Mbps MIMO Ant 1+2 CH165

Date: 04/08/2014

DUT: A1600; Type: FCC ID: BCGA1600



0 dB = 0.169 W/kg = -7.72 dBW/kg

Communication System: UID 0, WLAN 802.11 (0); Frequency: 5825 MHz; Duty Cycle: 1:1

Medium: 5200/5500/5800 MHz MSL Medium parameters used (interpolated): f = 5825 MHz;  $\sigma = 6.006$  S/m;  $\epsilon_r = 46.857$ ;  $\rho = 1000$  kg/m<sup>3</sup>

Phantom section: Flat Section

DASY4 Configuration:

- Probe: EX3DV4 - SN3994; ConvF(4.27, 4.27, 4.27); Calibrated: 07/05/2014;
- Sensor-Surface: 4mm (Mechanical Surface Detection), Sensor-Surface: 2mm (Mechanical Surface Detection)
- Electronics: DAE3 Sn431; Calibrated: 18/11/2013
- Phantom: ELI v5.0; Type: QDOVA002AA; Serial: TP:xxxx
- ; SEMCAD X Version 14.6.10 (7164)

**Configuration/Left of EUT Facing Phantom- High 2 2 2/Area Scan (81x251x1):** Interpolated grid: dx=1.000 mm, dy=1.000 mm

Maximum value of SAR (interpolated) = 0.133 W/kg

**Configuration/Left of EUT Facing Phantom- High 2 2 2/Zoom Scan (5-6 GHz) (7x7x12) 2 2 (7x7x12)/Cube 0:**

Measurement grid: dx=4mm, dy=4mm, dz=2mm

Reference Value = 3.303 V/m; Power Drift = -0.11 dB

Peak SAR (extrapolated) = 0.385 W/kg

**SAR(1 g) = 0.079 W/kg; SAR(10 g) = 0.031 W/kg**

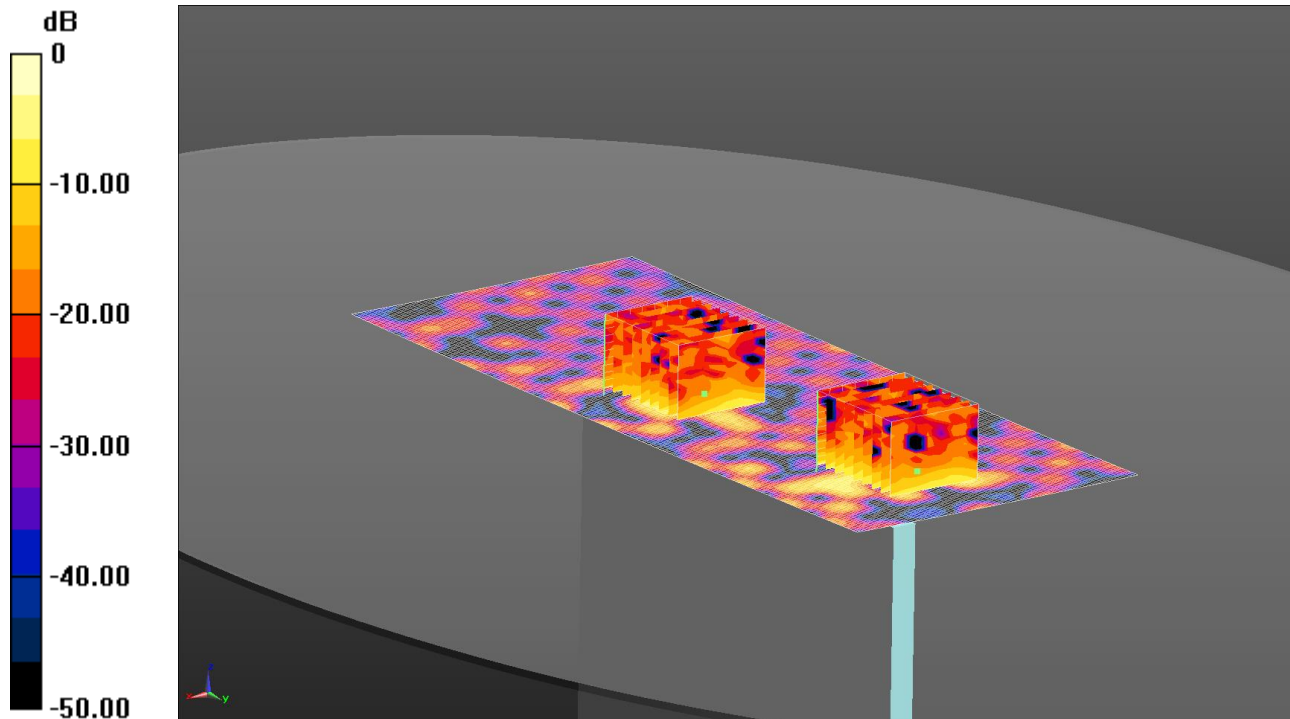
Maximum value of SAR (measured) = 0.169 W/kg

**Note: SAR level measured is very low as equivalent to noise floor.**

296: Bottom Of EUT Facing Phantom Wi-Fi 802.11n HT20 6.5Mbps MIMO Ant 1+2 CH165

Date: 05/08/2014

DUT: A1600; Type: FCC ID: BCGA1600



0 dB = 1.53 W/kg = 1.85 dBW/kg

Communication System: UID 0, WLAN 802.11 (0); Frequency: 5825 MHz; Duty Cycle: 1:1

Medium: 5200/5500/5800 MHz MSL Medium parameters used (interpolated): f = 5825 MHz;  $\sigma = 6.006 \text{ S/m}$ ;  $\epsilon_r = 46.857$ ;  $\rho = 1000 \text{ kg/m}^3$

Phantom section: Flat Section

DASY4 Configuration:

- Probe: EX3DV4 - SN3994; ConvF(4.27, 4.27, 4.27); Calibrated: 07/05/2014;
- Sensor-Surface: 4mm (Mechanical Surface Detection), Sensor-Surface: 2mm (Mechanical Surface Detection)
- Electronics: DAE3 Sn431; Calibrated: 18/11/2013
- Phantom: ELI v5.0; Type: QDOVA002AA; Serial: TP:xxxx
- ; SEMCAD X Version 14.6.10 (7164)

**Configuration/Bottom of EUT Facing Phantom- High 2/Area Scan (91x221x1):** Interpolated grid: dx=1.000 mm, dy=1.000 mm

Maximum value of SAR (interpolated) = 1.28 W/kg

**Configuration/Bottom of EUT Facing Phantom- High 2/Zoom Scan (5-6 GHz) (7x7x12) 2 2 2 (8x9x12)/Cube 0:**

Measurement grid: dx=4mm, dy=4mm, dz=2mm

Reference Value = 9.548 V/m; Power Drift = 0.20 dB

Peak SAR (extrapolated) = 2.18 W/kg

**SAR(1 g) = 0.615 W/kg; SAR(10 g) = 0.223 W/kg**

Maximum value of SAR (measured) = 1.32 W/kg

**Configuration/Bottom of EUT Facing Phantom- High 2/Zoom Scan (5-6 GHz) (7x7x12) 2 2 2 (8x9x12)/Cube 1:**

Measurement grid: dx=4mm, dy=4mm, dz=2mm

Reference Value = 9.548 V/m; Power Drift = 0.20 dB

Peak SAR (extrapolated) = 3.53 W/kg

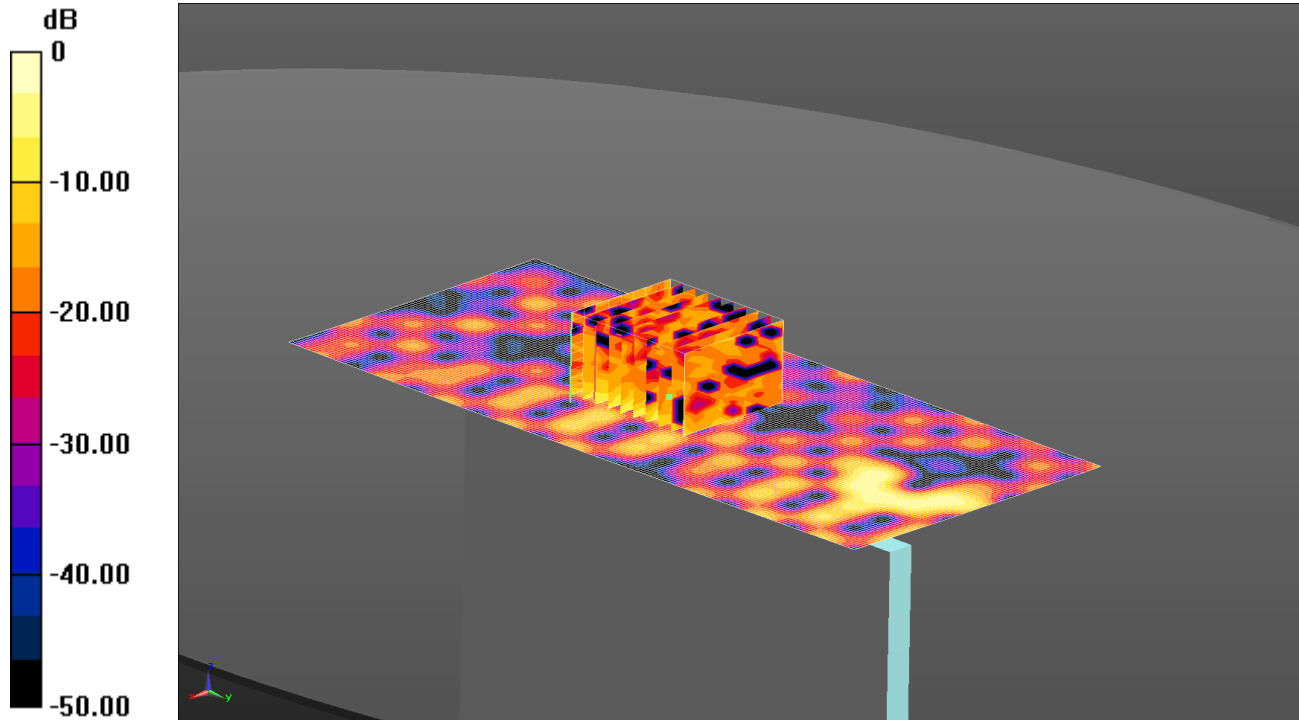
**SAR(1 g) = 0.759 W/kg; SAR(10 g) = 0.228 W/kg**

Maximum value of SAR (measured) = 1.53 W/kg

297: Bottom Of EUT Facing Phantom Wi-Fi 802.11n HT20 6.5Mbps MIMO Ant 1+2 CH149

Date: 06/08/2014

DUT: A1600; Type: FCC ID: BCGA1600



0 dB = 0.665 W/kg = -1.77 dBW/kg

Communication System: UID 0, WLAN 802.11 (0); Frequency: 5745 MHz; Duty Cycle: 1:1

Medium: 5200/5500/5800 MHz MSL Medium parameters used (interpolated): f = 5745 MHz;  $\sigma = 5.917 \text{ S/m}$ ;  $\epsilon_r = 46.92$ ;  $\rho = 1000 \text{ kg/m}^3$

Phantom section: Flat Section

DASY4 Configuration:

- Probe: EX3DV4 - SN3994; ConvF(4.27, 4.27, 4.27); Calibrated: 07/05/2014;
- Sensor-Surface: 4mm (Mechanical Surface Detection), Sensor-Surface: 2mm (Mechanical Surface Detection)
- Electronics: DAE3 Sn431; Calibrated: 18/11/2013
- Phantom: ELI v5.0; Type: QDOVA002AA; Serial: TP:xxxx
- ; SEMCAD X Version 14.6.10 (7164)

**Configuration/Bottom of EUT Facing Phantom - Low 2 2/Area Scan (81x181x1):** Interpolated grid: dx=1.000 mm, dy=1.000 mm

Maximum value of SAR (interpolated) = 0.415 W/kg

**Configuration/Bottom of EUT Facing Phantom - Low 2 2/Zoom Scan (5-6 GHz) (7x7x12) 2 2 (9x10x12)/Cube 0:**

Measurement grid: dx=4mm, dy=4mm, dz=2mm

Reference Value = 1.205 V/m; Power Drift = -0.01 dB

Peak SAR (extrapolated) = 3.82 W/kg

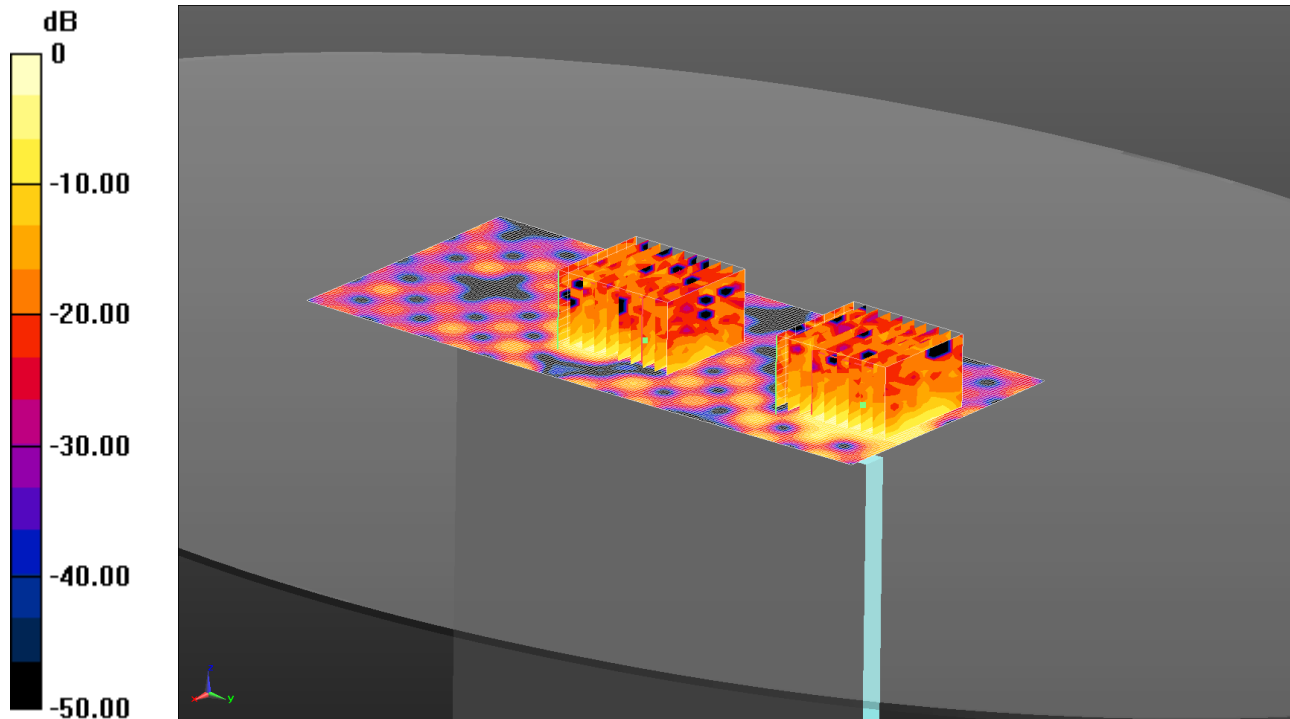
**SAR(1 g) = 0.332 W/kg; SAR(10 g) = 0.088 W/kg**

Maximum value of SAR (measured) = 0.665 W/kg

298: Bottom Of EUT Facing Phantom Wi-Fi 802.11n HT20 6.5Mbps MIMO Ant 1+2 CH157

Date: 06/08/2014

DUT: A1600; Type: FCC ID: BCGA1600



0 dB = 1.18 W/kg = 0.72 dBW/kg

Communication System: UID 0, WLAN 802.11 (0); Frequency: 5785 MHz; Duty Cycle: 1:1

Medium: 5200/5500/5800 MHz MSL Medium parameters used (interpolated): f = 5785 MHz;  $\sigma = 5.954 \text{ S/m}$ ;  $\epsilon_r = 46.892$ ;  $\rho = 1000 \text{ kg/m}^3$

Phantom section: Flat Section

DASY4 Configuration:

- Probe: EX3DV4 - SN3994; ConvF(4.27, 4.27, 4.27); Calibrated: 07/05/2014;
- Sensor-Surface: 4mm (Mechanical Surface Detection), Sensor-Surface: 2mm (Mechanical Surface Detection)
- Electronics: DAE3 Sn431; Calibrated: 18/11/2013
- Phantom: ELI v5.0; Type: QDOVA002AA; Serial: TP:xxxx
- ; SEMCAD X Version 14.6.10 (7164)

**Configuration/Bottom of EUT Facing Phantom - Low 2 2/Area Scan (81x181x1):** Interpolated grid: dx=1.000 mm, dy=1.000 mm

Maximum value of SAR (interpolated) = 1.26 W/kg

**Configuration/Bottom of EUT Facing Phantom - Low 2 2/Zoom Scan (5-6 GHz) (7x7x12) 2 2 (9x10x12)/Cube 0:**

Measurement grid: dx=4mm, dy=4mm, dz=2mm

Reference Value = 11.131 V/m; Power Drift = 0.09 dB

Peak SAR (extrapolated) = 3.41 W/kg

**SAR(1 g) = 0.701 W/kg; SAR(10 g) = 0.213 W/kg**

Maximum value of SAR (measured) = 1.39 W/kg

**Configuration/Bottom of EUT Facing Phantom - Low 2 2/Zoom Scan (5-6 GHz) (7x7x12) 2 2 (9x10x12)/Cube 1:**

Measurement grid: dx=4mm, dy=4mm, dz=2mm

Reference Value = 11.131 V/m; Power Drift = 0.09 dB

Peak SAR (extrapolated) = 5.20 W/kg

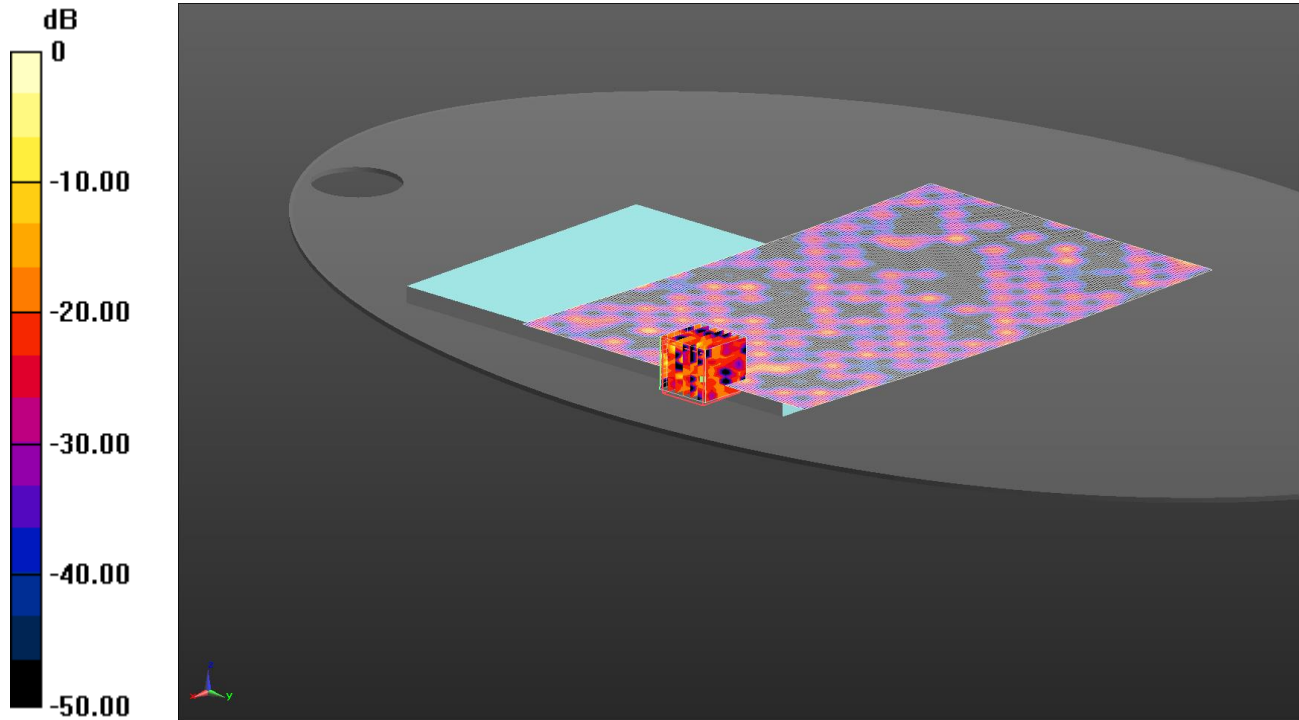
**SAR(1 g) = 0.561 W/kg; SAR(10 g) = 0.196 W/kg**

Maximum value of SAR (measured) = 1.18 W/kg

299: Back Of EUT Facing Phantom Wi-Fi 802.11n HT40 13.5Mbps SISO Ant 1 CH159

Date: 31/07/2014

DUT: A1600; Type: FCC ID: BCGA1600



0 dB = 1.32 W/kg = 1.21 dBW/kg

Communication System: UID 0, WLAN 802.11 (0); Frequency: 5795 MHz; Duty Cycle: 1:1

Medium: 5200/5500/5800 MHz MSL Medium parameters used (interpolated): f = 5795 MHz;  $\sigma = 6.108 \text{ S/m}$ ;  $\epsilon_r = 46.386$ ;  $\rho = 1000 \text{ kg/m}^3$

Phantom section: Flat Section

DASY4 Configuration:

- Probe: EX3DV4 - SN3994; ConvF(4.27, 4.27, 4.27); Calibrated: 07/05/2014;
- Sensor-Surface: 4mm (Mechanical Surface Detection), Sensor-Surface: 2mm (Mechanical Surface Detection)
- Electronics: DAE3 Sn431; Calibrated: 18/11/2013
- Phantom: ELI v5.0; Type: QDOVA002AA; Serial: TP:xxxx
- ; SEMCAD X Version 14.6.10 (7164)

**Configuration/Back of EUT Facing Phantom- High 2 2 2/Area Scan (241x151x1):** Interpolated grid: dx=1.000 mm, dy=1.000 mm

Maximum value of SAR (interpolated) = 0.0549 W/kg

**Configuration/Back of EUT Facing Phantom- High 2 2 2/Zoom Scan (5-6 GHz) (7x7x12) 2 2 (7x7x12)/Cube 0:**

Measurement grid: dx=4mm, dy=4mm, dz=2mm

Reference Value = 1.725 V/m; Power Drift = -1.22 dB

Peak SAR (extrapolated) = 1.32 W/kg

**SAR(1 g) = 0.00755 W/kg; SAR(10 g) = 0.00257 W/kg**

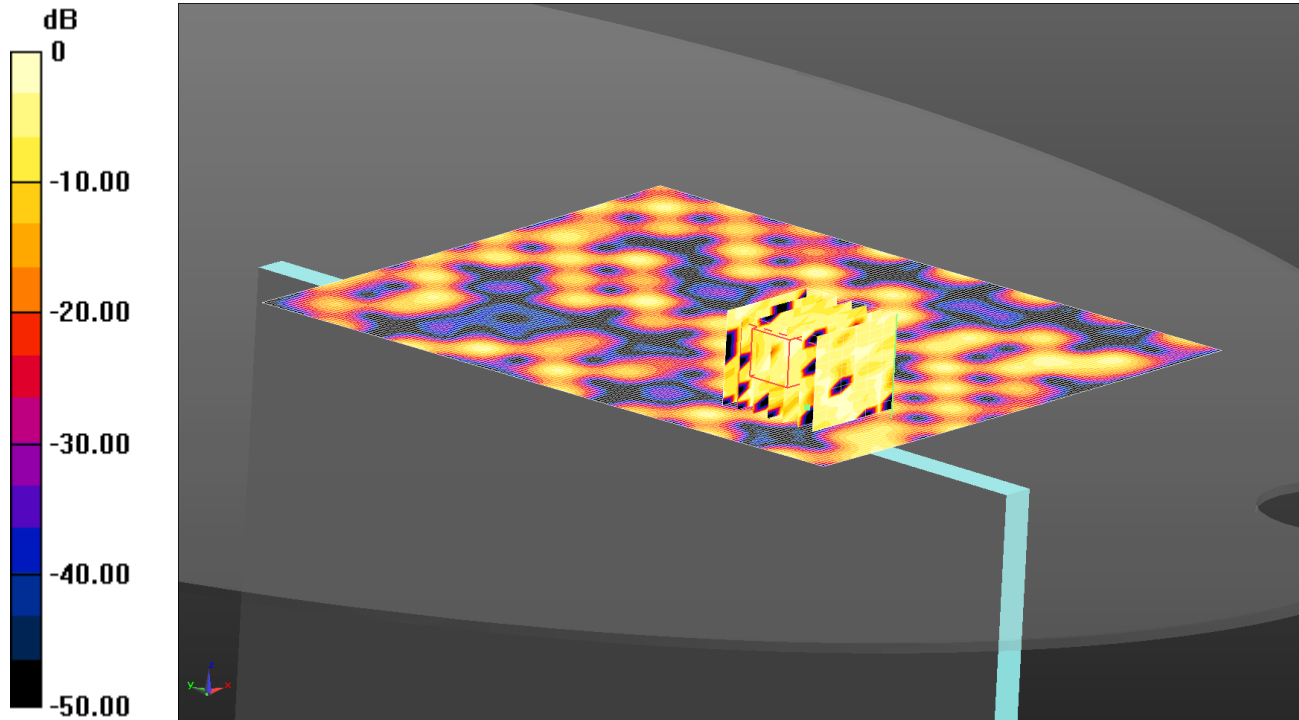
Maximum value of SAR (measured) = 1.32 W/kg

**Note: SAR level measured is very low as equivalent to noise floor.**

300: Left Hand Side Of EUT Facing Phantom Wi-Fi 802.11n HT40 13.5Mbps SISO Ant 1 CH159

Date: 31/07/2014

DUT: A1600; Type: FCC ID: BCGA1600



0 dB = 0.0456 W/kg = -13.41 dBW/kg

Communication System: UID 0, WLAN 802.11 (0); Frequency: 5795 MHz; Duty Cycle: 1:1

Medium: 5200/5500/5800 MHz MSL Medium parameters used (interpolated): f = 5795 MHz;  $\sigma = 6.108 \text{ S/m}$ ;  $\epsilon_r = 46.386$ ;  $\rho = 1000 \text{ kg/m}^3$

Phantom section: Flat Section

DASY4 Configuration:

- Probe: EX3DV4 - SN3994; ConvF(4.27, 4.27, 4.27); Calibrated: 07/05/2014;
- Sensor-Surface: 4mm (Mechanical Surface Detection), Sensor-Surface: 2mm (Mechanical Surface Detection)
- Electronics: DAE3 Sn431; Calibrated: 18/11/2013
- Phantom: ELI v5.0; Type: QDOVA002AA; Serial: TP:xxxx
- ; SEMCAD X Version 14.6.10 (7164)

**Configuration/Left Hand Side of EUT Facing Phantom- High 2 2 2/Area Scan (121x151x1):** Interpolated grid: dx=1.000 mm, dy=1.000 mm

Maximum value of SAR (interpolated) = 0.0245 W/kg

**Configuration/Left Hand Side of EUT Facing Phantom- High 2 2 2/Zoom Scan (5-6 GHz) (7x7x12) 2 2 (7x7x12)/Cube**

**0:** Measurement grid: dx=4mm, dy=4mm, dz=2mm

Reference Value = 1.296 V/m; Power Drift = 1.28 dB

Peak SAR (extrapolated) = 0.162 W/kg

**SAR(1 g) = 0.00463 W/kg; SAR(10 g) = 0.00218 W/kg**

Maximum value of SAR (measured) = 0.0456 W/kg

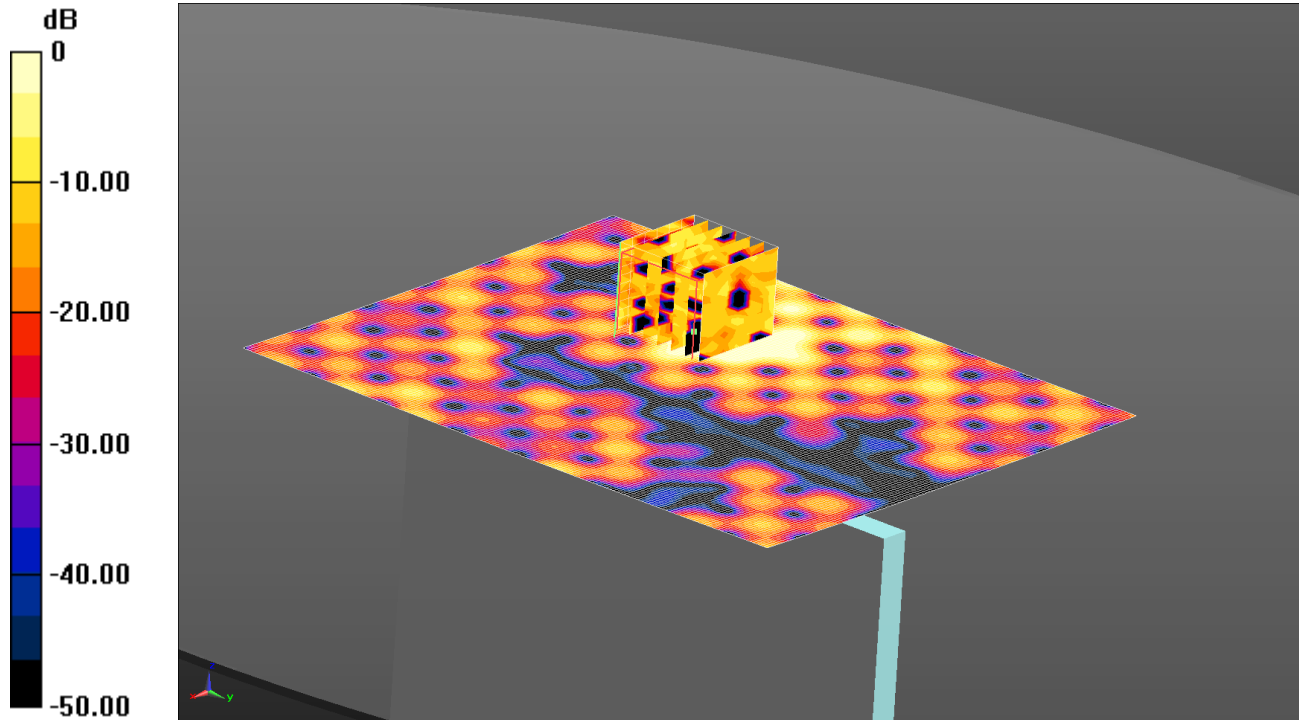
**Note: SAR level measured is very low as equivalent to noise floor.**



301: Bottom Of EUT Facing Phantom Wi-Fi 802.11n HT40 13.5Mbps SISO Ant 1 CH159

Date: 31/07/2014

DUT: A1600; Type: FCC ID: BCGA1600



0 dB = 0.179 W/kg = -7.47 dBW/kg

Communication System: UID 0, WLAN 802.11 (0); Frequency: 5795 MHz; Duty Cycle: 1:1

Medium: 5200/5500/5800 MHz MSL Medium parameters used (interpolated): f = 5795 MHz;  $\sigma = 6.108 \text{ S/m}$ ;  $\epsilon_r = 46.386$ ;  $\rho = 1000 \text{ kg/m}^3$

Phantom section: Flat Section

DASY4 Configuration:

- Probe: EX3DV4 - SN3994; ConvF(4.27, 4.27, 4.27); Calibrated: 07/05/2014;
- Sensor-Surface: 4mm (Mechanical Surface Detection), Sensor-Surface: 2mm (Mechanical Surface Detection)
- Electronics: DAE3 Sn431; Calibrated: 18/11/2013
- Phantom: ELI v5.0; Type: QDOVA002AA; Serial: TP:xxxx
- ; SEMCAD X Version 14.6.10 (7164)

**Configuration/Bottom of EUT Facing Phantom- High 2 2 2/Area Scan (121x151x1):** Interpolated grid: dx=1.000 mm, dy=1.000 mm

Maximum value of SAR (interpolated) = 0.879 W/kg

**Configuration/Bottom of EUT Facing Phantom- High 2 2 2/Zoom Scan (5-6 GHz) (7x7x12) 2 2 (7x7x12)/Cube 0:**

Measurement grid: dx=4mm, dy=4mm, dz=2mm

Reference Value = 1.241 V/m; Power Drift = -0.13 dB

Peak SAR (extrapolated) = 0.353 W/kg

**SAR(1 g) = 0.00617 W/kg; SAR(10 g) = 0.00217 W/kg**

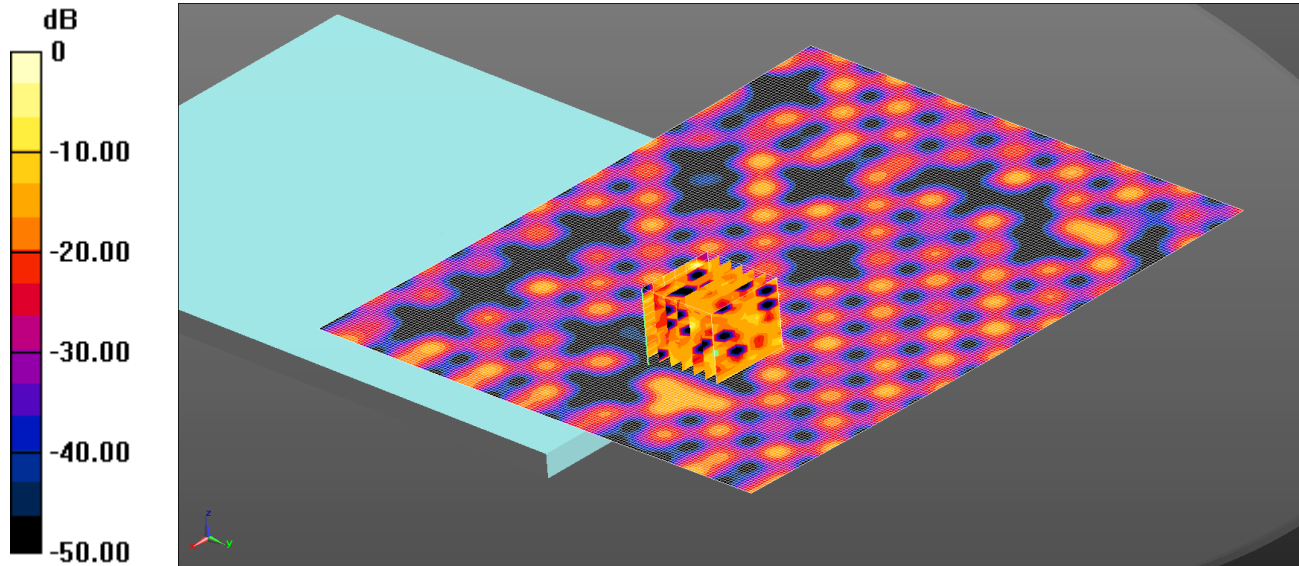
Maximum value of SAR (measured) = 0.179 W/kg

**Note: SAR level measured is very low as equivalent to noise floor.**

302: Back Of EUT Facing Phantom Wi-Fi 802.11n HT40 13.5Mbps SISO Ant 2 CH159

Date: 01/08/2014

DUT: A1600; Type: FCC ID: BCGA1600



0 dB = 0.554 W/kg = -2.56 dBW/kg

Communication System: UID 0, WLAN 802.11 (0); Frequency: 5795 MHz; Duty Cycle: 1:1

Medium: 5200/5500/5800 MHz MSL Medium parameters used (interpolated): f = 5795 MHz;  $\sigma = 6.108 \text{ S/m}$ ;  $\epsilon_r = 46.386$ ;  $\rho = 1000 \text{ kg/m}^3$

Phantom section: Flat Section

DASY4 Configuration:

- Probe: EX3DV4 - SN3994; ConvF(4.27, 4.27, 4.27); Calibrated: 07/05/2014;
- Sensor-Surface: 4mm (Mechanical Surface Detection), Sensor-Surface: 2mm (Mechanical Surface Detection)
- Electronics: DAE3 Sn431; Calibrated: 18/11/2013
- Phantom: ELI v5.0; Type: QDOVA002AA; Serial: TP:xxxx
- ; SEMCAD X Version 14.6.10 (7164)

**Configuration/Back of EUT Facing Phantom- High 2 2 /Area Scan (181x151x1):** Interpolated grid: dx=1.000 mm, dy=1.000 mm

Maximum value of SAR (interpolated) = 0.0314 W/kg

**Configuration/Back of EUT Facing Phantom- High 2 2 /Zoom Scan (5-6 GHz) (7x7x12) 2 2 (7x7x12)/Cube 0:**

Measurement grid: dx=4mm, dy=4mm, dz=2mm

Reference Value = 2.317 V/m; Power Drift = -3.71 dB

Peak SAR (extrapolated) = 0.554 W/kg

**SAR(1 g) = 0.021 W/kg; SAR(10 g) = 0.00943 W/kg**

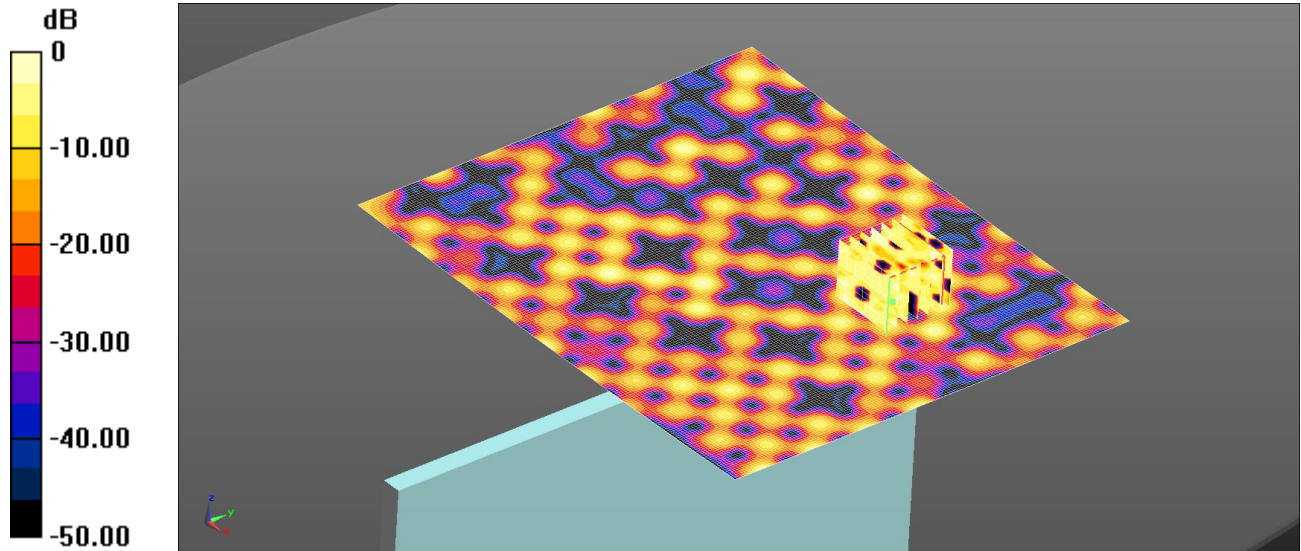
Maximum value of SAR (measured) = 0.554 W/kg

**Note: SAR level measured is very low as equivalent to noise floor.**

303: Right Hand Side Of EUT Facing Phantom Wi-Fi 802.11n HT40 13.5Mbps SISO Ant 2 CH159

Date: 01/08/2014

DUT: A1600; Type: FCC ID: BCGA1600



0 dB = 0.0496 W/kg = -13.05 dBW/kg

Communication System: UID 0, WLAN 802.11 (0); Frequency: 5795 MHz; Duty Cycle: 1:1

Medium: 5200/5500/5800 MHz MSL Medium parameters used (interpolated): f = 5795 MHz;  $\sigma = 6.108$  S/m;  $\epsilon_r = 46.386$ ;  $\rho = 1000$  kg/m<sup>3</sup>

Phantom section: Flat Section

DASY4 Configuration:

- Probe: EX3DV4 - SN3994; ConvF(4.27, 4.27, 4.27); Calibrated: 07/05/2014;
- Sensor-Surface: 4mm (Mechanical Surface Detection), Sensor-Surface: 2mm (Mechanical Surface Detection)
- Electronics: DAE3 Sn431; Calibrated: 18/11/2013
- Phantom: ELI v5.0; Type: QDOVA002AA; Serial: TP:xxxx
- ; SEMCAD X Version 14.6.10 (7164)

**Configuration/Right Hand Side of EUT Facing Phantom- High 2 2 /Area Scan (181x151x1):** Interpolated grid: dx=1.000 mm, dy=1.000 mm

Maximum value of SAR (interpolated) = 0.0294 W/kg

**Configuration/Right Hand Side of EUT Facing Phantom- High 2 2 /Zoom Scan (5-6 GHz) (7x7x12) 2 2 (7x7x12)/Cube**

**0:** Measurement grid: dx=4mm, dy=4mm, dz=2mm

Reference Value = 1.315 V/m; Power Drift = -4.67 dB

Peak SAR (extrapolated) = 0.167 W/kg

**SAR(1 g) = 0.00699 W/kg; SAR(10 g) = 0.00176 W/kg**

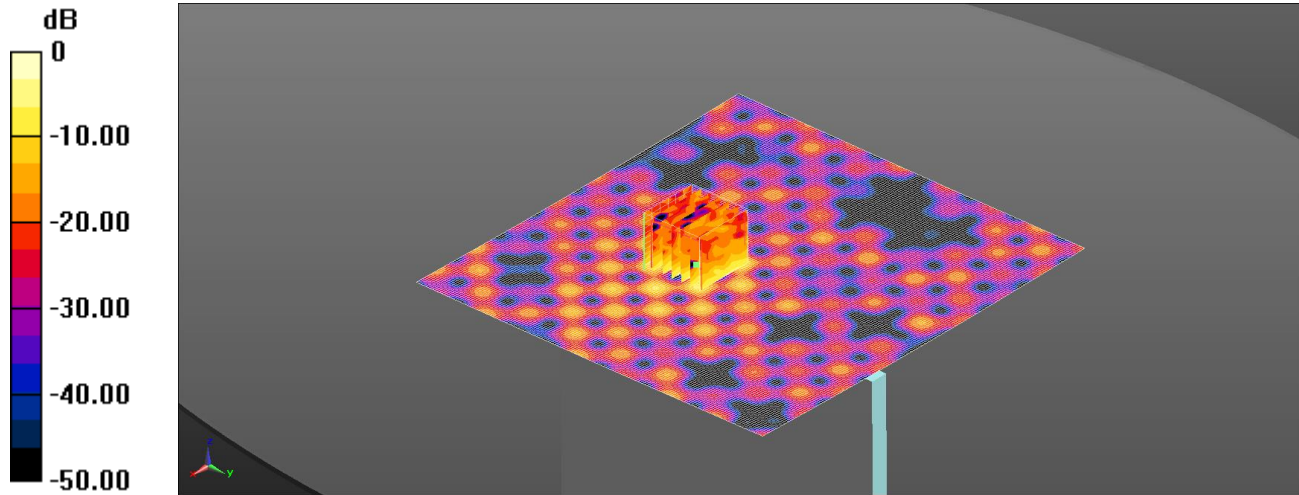
Maximum value of SAR (measured) = 0.0496 W/kg

**Note: SAR level measured is very low as equivalent to noise floor.**

304: Bottom Of EUT Facing Phantom Wi-Fi 802.11n HT40 13.5Mbps SISO Ant 2 CH159

Date: 01/08/2014

DUT: A1600; Type: FCC ID: BCGA1600



0 dB = 0.921 W/kg = -0.36 dBW/kg

Communication System: UID 0, WLAN 802.11 (0); Frequency: 5795 MHz; Duty Cycle: 1:1

Medium: 5200/5500/5800 MHz MSL Medium parameters used (interpolated):  $f = 5795$  MHz;  $\sigma = 6.108$  S/m;  $\epsilon_r = 46.386$ ;  $\rho = 1000$  kg/m<sup>3</sup>

Phantom section: Flat Section

DASY4 Configuration:

- Probe: EX3DV4 - SN3994; ConvF(4.27, 4.27, 4.27); Calibrated: 07/05/2014;
- Sensor-Surface: 4mm (Mechanical Surface Detection), Sensor-Surface: 2mm (Mechanical Surface Detection)
- Electronics: DAE3 Sn431; Calibrated: 18/11/2013
- Phantom: ELI v5.0; Type: QDOVA002AA; Serial: TP:xxxx
- ; SEMCAD X Version 14.6.10 (7164)

**Configuration/Bottom of EUT Facing Phantom- High 2 2 2/Area Scan (161x151x1):** Interpolated grid: dx=1.000 mm, dy=1.000 mm

Maximum value of SAR (interpolated) = 0.381 W/kg

**Configuration/Bottom of EUT Facing Phantom- High 2 2 2/Zoom Scan (5-6 GHz) (7x7x12) 2 2 (7x7x12)/Cube 0:**

Measurement grid: dx=4mm, dy=4mm, dz=2mm

Reference Value = 8.684 V/m; Power Drift = 0.12 dB

Peak SAR (extrapolated) = 1.78 W/kg

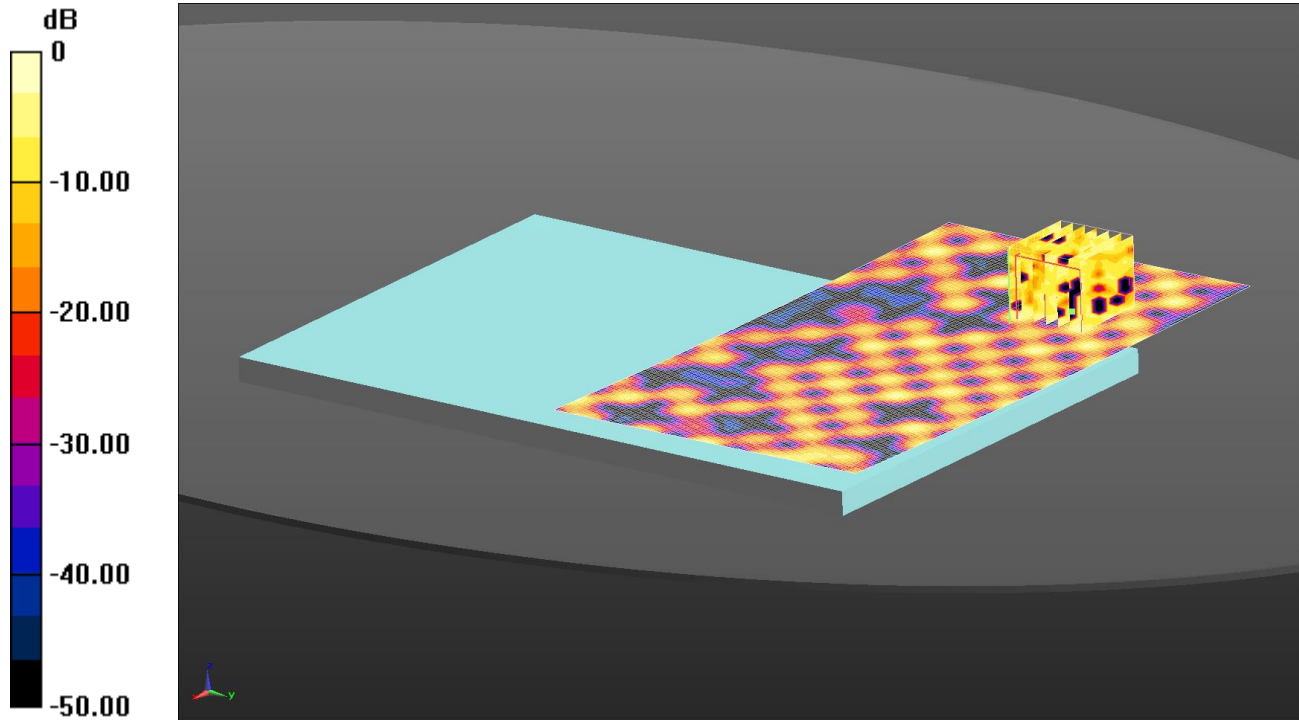
**SAR(1 g) = 0.439 W/kg; SAR(10 g) = 0.140 W/kg**

Maximum value of SAR (measured) = 0.921 W/kg

305: Back Of EUT Facing Phantom Wi-Fi 802.11n HT40 13.5Mbps MIMO Ant 1+2 CH159

Date: 06/08/2014

DUT: A1600; Type: FCC ID: BCGA1600



0 dB = 0.0809 W/kg = -10.92 dBW/kg

Communication System: UID 0, WLAN 802.11 (0); Frequency: 5795 MHz; Duty Cycle: 1:1

Medium: 5200/5500/5800 MHz MSL Medium parameters used (interpolated): f = 5795 MHz;  $\sigma = 5.962$  S/m;  $\epsilon_r = 46.886$ ;  $\rho = 1000$  kg/m<sup>3</sup>

Phantom section: Flat Section

DASY4 Configuration:

- Probe: EX3DV4 - SN3994; ConvF(4.27, 4.27, 4.27); Calibrated: 07/05/2014;
- Sensor-Surface: 4mm (Mechanical Surface Detection), Sensor-Surface: 2mm (Mechanical Surface Detection)
- Electronics: DAE3 Sn431; Calibrated: 18/11/2013
- Phantom: ELI v5.0; Type: QDOVA002AA; Serial: TP:xxxx
- ; SEMCAD X Version 14.6.10 (7164)

**Configuration/Back of EUT Facing Phantom- High/Area Scan (181x101x1):** Interpolated grid: dx=1.000 mm, dy=1.000 mm

Maximum value of SAR (interpolated) = 0.0414 W/kg

**Configuration/Back of EUT Facing Phantom- High/Zoom Scan (5-6 GHz) (7x7x12) 2 2 (7x7x12)/Cube 0:** Measurement grid: dx=4mm, dy=4mm, dz=2mm

Reference Value = 2.500 V/m; Power Drift = 0.55 dB

Peak SAR (extrapolated) = 0.138 W/kg

**SAR(1 g) = 0.018 W/kg; SAR(10 g) = 0.00687 W/kg**

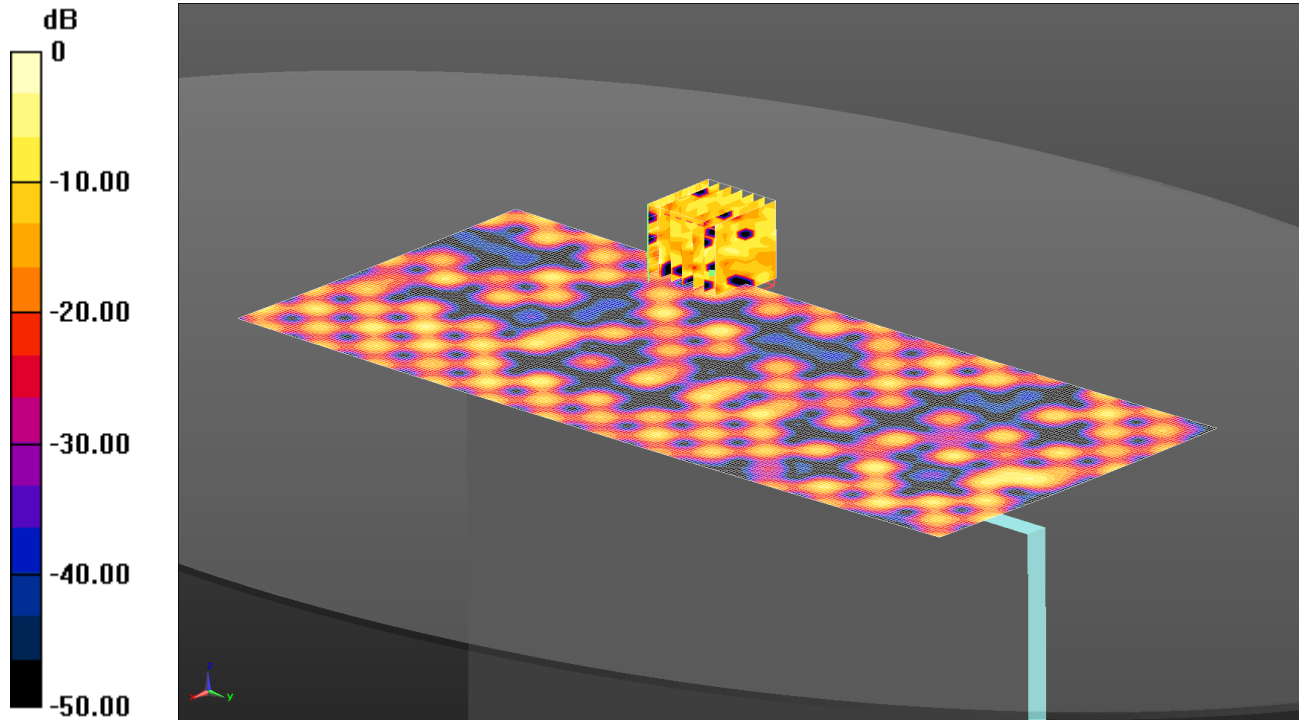
Maximum value of SAR (measured) = 0.0809 W/kg

**Note: SAR level measured is very low as equivalent to noise floor.**

306: Right hand side Of EUT Facing Phantom Wi-Fi 802.11n HT40 13.5Mbps MIMO Ant 1+2 CH159

Date: 06/08/2014

DUT: A1600; Type: FCC ID: BCGA1600



0 dB = 0.144 W/kg = -8.42 dBW/kg

Communication System: UID 0, WLAN 802.11 (0); Frequency: 5795 MHz; Duty Cycle: 1:1

Medium: 5200/5500/5800 MHz MSL Medium parameters used (interpolated): f = 5795 MHz;  $\sigma = 5.962 \text{ S/m}$ ;  $\epsilon_r = 46.886$ ;  $\rho = 1000 \text{ kg/m}^3$

Phantom section: Flat Section

DASY4 Configuration:

- Probe: EX3DV4 - SN3994; ConvF(4.27, 4.27, 4.27); Calibrated: 07/05/2014;
- Sensor-Surface: 4mm (Mechanical Surface Detection), Sensor-Surface: 2mm (Mechanical Surface Detection)
- Electronics: DAE3 Sn431; Calibrated: 18/11/2013
- Phantom: ELI v5.0; Type: QDOVA002AA; Serial: TP:xxxx
- ; SEMCAD X Version 14.6.10 (7164)

**Configuration/Right of EUT Facing Phantom- High 2/Area Scan (111x251x1):** Interpolated grid: dx=1.000 mm, dy=1.000 mm

Maximum value of SAR (interpolated) = 0.0402 W/kg

**Configuration/Right of EUT Facing Phantom- High 2/Zoom Scan (5-6 GHz) (7x7x12) 2 2 (7x7x12)/Cube 0:**

Measurement grid: dx=4mm, dy=4mm, dz=2mm

Reference Value = 1.088 V/m; Power Drift = -0.09 dB

Peak SAR (extrapolated) = 0.123 W/kg

**SAR(1 g) = 0.00716 W/kg; SAR(10 g) = 0.00292 W/kg**

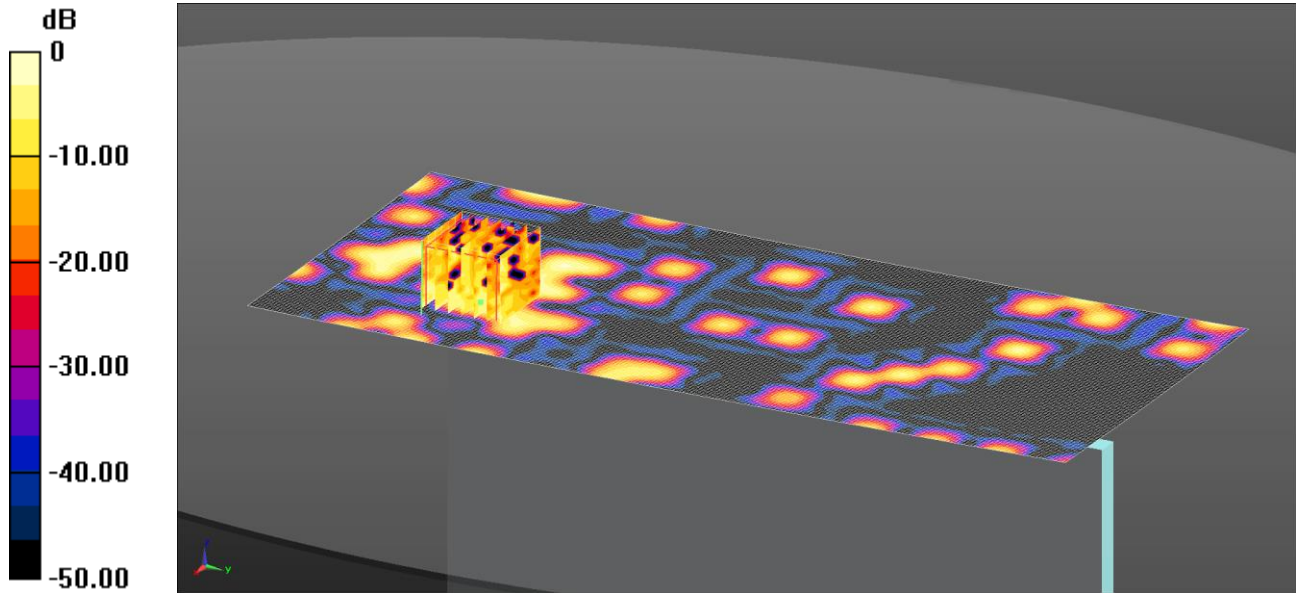
Maximum value of SAR (measured) = 0.144 W/kg

**Note: SAR level measured is very low as equivalent to noise floor.**

307: Left hand side Of EUT Facing Phantom Wi-Fi 802.11n HT40 13.5Mbps MIMO Ant 1+2 CH159

Date: 07/08/2014

DUT: A1600; Type: FCC ID: BCGA1600



0 dB = 0.124 W/kg = -9.07 dBW/kg

Communication System: UID 0, WLAN 802.11 (0); Frequency: 5795 MHz; Duty Cycle: 1:1

Medium: 5200/5500/5800 MHz MSL Medium parameters used (interpolated): f = 5795 MHz;  $\sigma = 6.234 \text{ S/m}$ ;  $\epsilon_r = 46.57$ ;  $\rho = 1000 \text{ kg/m}^3$

Phantom section: Flat Section

DASY4 Configuration:

- Probe: EX3DV4 - SN3994; ConvF(4.27, 4.27, 4.27); Calibrated: 07/05/2014;
- Sensor-Surface: 4mm (Mechanical Surface Detection), Sensor-Surface: 2mm (Mechanical Surface Detection)
- Electronics: DAE3 Sn431; Calibrated: 18/11/2013
- Phantom: ELI v5.0; Type: QDOVA002AA; Serial: TP:xxxx
- ; SEMCAD X Version 14.6.10 (7164)

**Configuration/Left of EUT Facing Phantom- High 2 2/Area Scan (111x251x1):** Interpolated grid: dx=1.000 mm, dy=1.000 mm

Maximum value of SAR (interpolated) = 0.0774 W/kg

**Configuration/Left of EUT Facing Phantom- High 2 2/Zoom Scan (5-6 GHz) (7x7x12) 2 2 (7x7x12)/Cube 0:**

Measurement grid: dx=4mm, dy=4mm, dz=2mm

Reference Value = 1.971 V/m; Power Drift = 2.63 dB

Peak SAR (extrapolated) = 0.344 W/kg

**SAR(1 g) = 0.043 W/kg; SAR(10 g) = 0.016 W/kg**

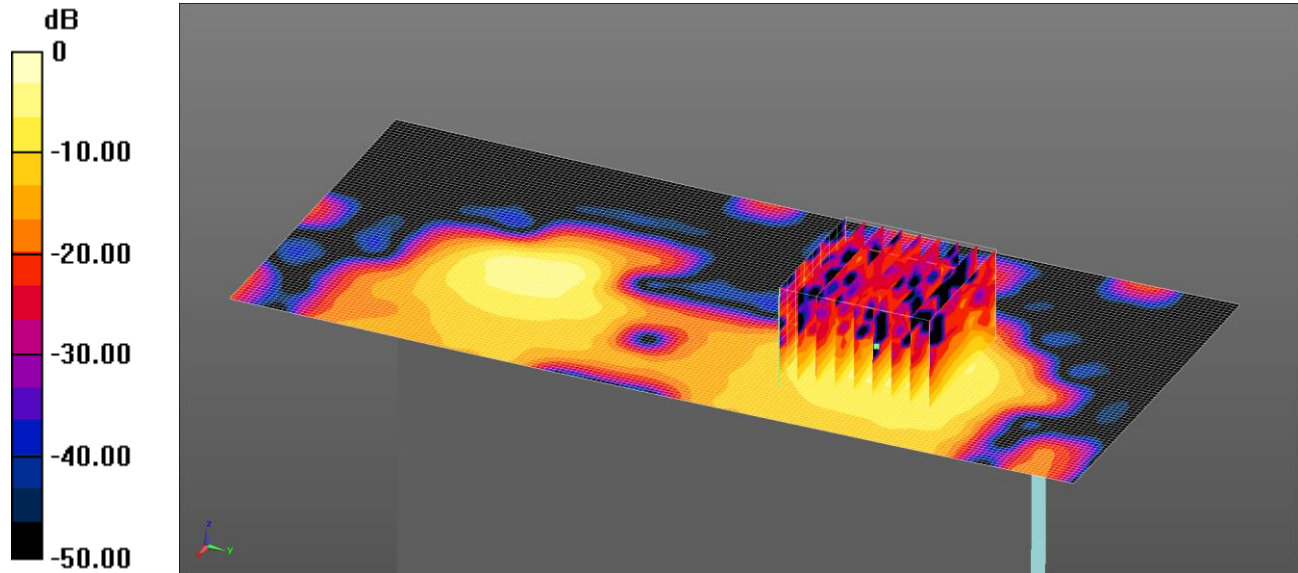
Maximum value of SAR (measured) = 0.124 W/kg

**Note: SAR level measured is very low as equivalent to noise floor.**

308: Bottom Of EUT Facing Phantom Wi-Fi 802.11n HT40 13.5Mbps MIMO Ant 1+2 CH159

Date: 07/08/2014

DUT: A1600; Type: FCC ID: BCGA1600



0 dB = 0.979 W/kg = -0.09 dBW/kg

Communication System: UID 0, WLAN 802.11 (0); Frequency: 5795 MHz; Duty Cycle: 1:1

Medium: 5200/5500/5800 MHz MSL Medium parameters used (interpolated): f = 5795 MHz;  $\sigma = 6.234 \text{ S/m}$ ;  $\epsilon_r = 46.57$ ;  $\rho = 1000 \text{ kg/m}^3$

Phantom section: Flat Section

DASY4 Configuration:

- Probe: EX3DV4 - SN3994; ConvF(4.27, 4.27, 4.27); Calibrated: 07/05/2014;
- Sensor-Surface: 4mm (Mechanical Surface Detection), Sensor-Surface: 2mm (Mechanical Surface Detection)
- Electronics: DAE3 Sn431; Calibrated: 18/11/2013
- Phantom: ELI v5.0; Type: QDOVA002AA; Serial: TP:xxxx
- ; SEMCAD X Version 14.6.10 (7164)

**Configuration/Bottom of EUT Facing Phantom- High/Area Scan (81x181x1):** Interpolated grid: dx=1.000 mm, dy=1.000 mm

Maximum value of SAR (interpolated) = 0.617 W/kg

**Configuration/Bottom of EUT Facing Phantom- High/Zoom Scan (5-6 GHz) (7x7x12) 2 2 (9x9x12)/Cube 0:**

Measurement grid: dx=4mm, dy=4mm, dz=2mm

Reference Value = 7.466 V/m; Power Drift = 0.11 dB

Peak SAR (extrapolated) = 2.09 W/kg

**SAR(1 g) = 0.472 W/kg; SAR(10 g) = 0.158 W/kg**

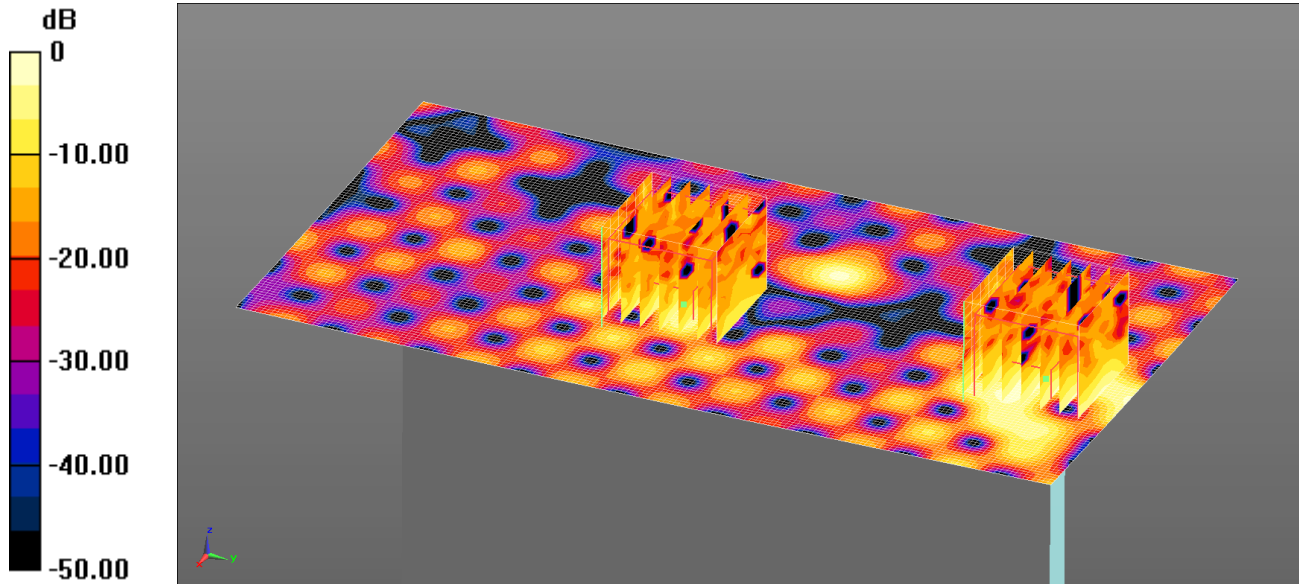
Maximum value of SAR (measured) = 0.979 W/kg



309: Bottom Of EUT Facing Phantom Wi-Fi 802.11n HT20 6.5Mbps MIMO Ant 1+2 CH165 Variant 2

Date: 04/09/2014

DUT: A1600; Type: FCC ID: BCGA1600



0 dB = 0.717 W/kg = -1.44 dBW/kg

Communication System: UID 0, WLAN 802.11 (0); Frequency: 5825 MHz; Duty Cycle: 1:1

Medium: 5200/5500/5800 MHz MSL Medium parameters used (interpolated): f = 5825 MHz;  $\sigma = 6.225$  S/m;  $\epsilon_r = 47.555$ ;  $\rho = 1000$  kg/m<sup>3</sup>

Phantom section: Flat Section

DASY4 Configuration:

- Probe: EX3DV4 - SN3994; ConvF(4.27, 4.27, 4.27); Calibrated: 07/05/2014;
- Sensor-Surface: 2mm (Mechanical Surface Detection), Sensor-Surface: 4mm (Mechanical Surface Detection)
- Electronics: DAE3 Sn431; Calibrated: 18/11/2013
- Phantom: ELI v5.0; Type: QDOVA002AA; Serial: TP:xxxx
- ; SEMCAD X Version 14.6.10 (7164)

Configuration/Bottom of EUT Facing Phantom- High 2 2 2 2/Zoom Scan (5-6 GHz) (7x7x12) (7x7x12)/Cube 1: Measurement grid: dx=4mm, dy=4mm, dz=2mm

Reference Value = 8.127 V/m; Power Drift = -0.12 dB

Peak SAR (extrapolated) = 1.88 W/kg

SAR(1 g) = 0.459 W/kg; SAR(10 g) = 0.149 W/kg

Maximum value of SAR (measured) = 0.922 W/kg

Configuration/Bottom of EUT Facing Phantom- High 2 2 2 2/Zoom Scan (5-6 GHz) (7x7x12) (7x7x12)/Cube 0: Measurement grid: dx=4mm, dy=4mm, dz=2mm

Reference Value = 8.127 V/m; Power Drift = -0.12 dB

Peak SAR (extrapolated) = 2.29 W/kg

SAR(1 g) = 0.371 W/kg; SAR(10 g) = 0.104 W/kg

Maximum value of SAR (measured) = 0.717 W/kg

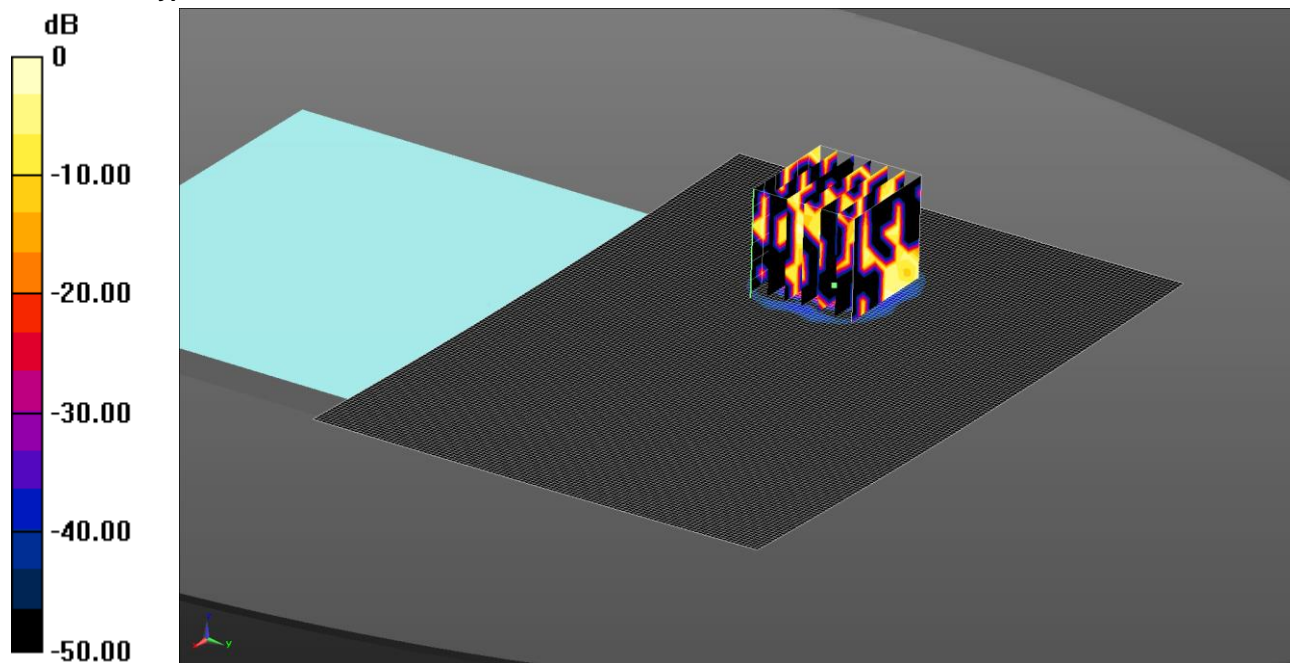
Configuration/Bottom of EUT Facing Phantom- High 2 2 2 2/Area Scan (91x171x1): Interpolated grid: dx=1.000 mm, dy=1.000 mm

Maximum value of SAR (interpolated) = 0.625 W/kg

310: Back of EUT Facing Phantom BT BR Middle CH39

Date: 07/08/2014

DUT: A1600; Type: FCC ID: BCGA1600



0 dB = 0.000322 W/kg = -34.92 dBW/kg

Communication System: UID 0, Bluetooth Basic Rate (0); Frequency: 2441 MHz; Duty Cycle: 1:4.76321  
 Medium: 2450 MHz MSL Medium parameters used (interpolated): f = 2441 MHz;  $\sigma = 2.004$  S/m;  $\epsilon_r = 53.459$ ;  $\rho = 1000$  kg/m<sup>3</sup>  
 Phantom section: Flat Section

DASY4 Configuration:

- Probe: EX3DV4 - SN3995; ConvF(7.24, 7.24, 7.24); Calibrated: 09/05/2014;

- Sensor-Surface: 4mm (Mechanical Surface Detection), Sensor-Surface: 2mm (Mechanical Surface Detection)

- Electronics: DAE4 Sn1435; Calibrated: 15/04/2014

- Phantom: ELI v5.0 (30deg probe tilt); Type: QDOVA002AA; Serial: TP:xxxx

- ; SEMCAD X Version 14.6.10 (7164)

**Configuration/Back of EUT Facing Phantom - Middle/Area Scan (161x111x1):** Interpolated grid: dx=1.200 mm, dy=1.200 mm

Maximum value of SAR (interpolated) = 0.000322 W/kg

**Configuration/Back of EUT Facing Phantom - Middle/Zoom Scan (7x7x7) (7x7x7)/Cube 0:** Measurement grid: dx=5mm, dy=5mm, dz=5mm

Reference Value = 0 V/m; Power Drift = 0.00 dB

Peak SAR (extrapolated) = 0 W/kg

**SAR(1 g) = n.a. ; SAR(10 g) = n.a.**

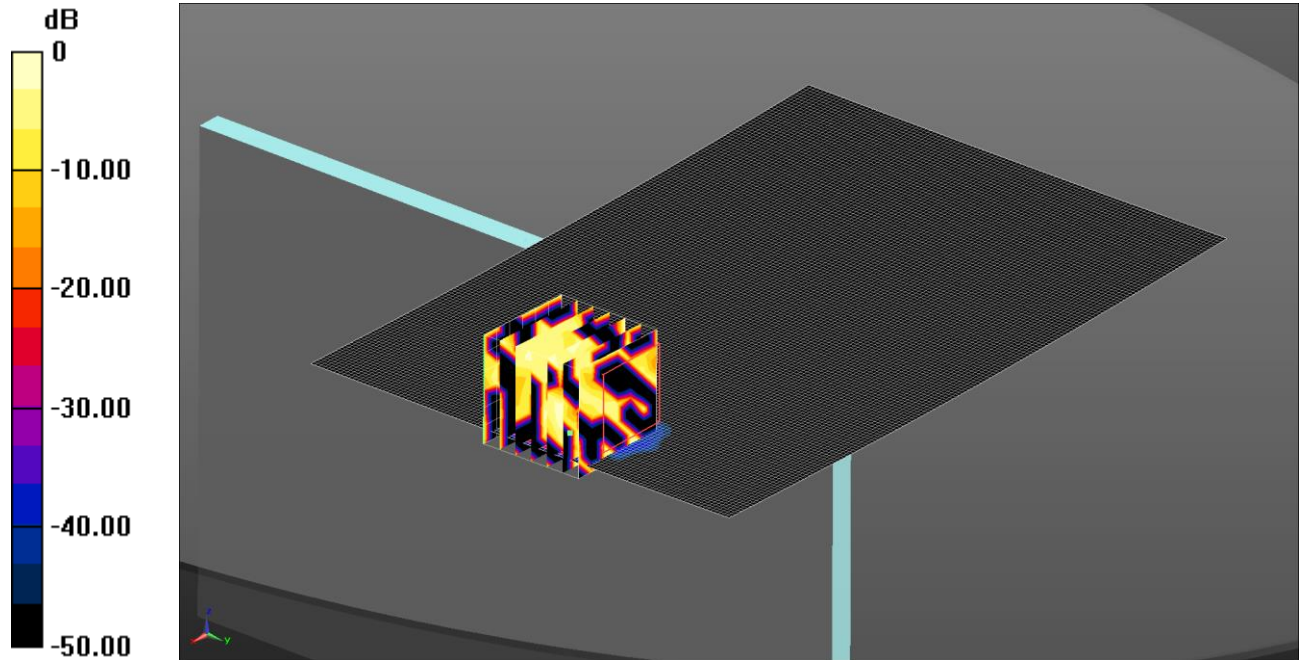
Maximum value of SAR (measured) = 0.00139 W/kg

**Note: SAR level measured is very low as equivalent to noise floor on Area Scan, hence the Zoom was evaluated by DASY with no SAR level.**

311: Left of EUT Facing Phantom BT BR Middle CH39

Date: 07/08/2014

DUT: A1600; Type: FCC ID: BCGA1600



0 dB = 0.000431 W/kg = -33.66 dBW/kg

Communication System: UID 0, Bluetooth Basic Rate (0); Frequency: 2441 MHz; Duty Cycle: 1:4.76321  
 Medium: 2450 MHz MSL Medium parameters used (interpolated):  $f = 2441$  MHz;  $\sigma = 2.004$  S/m;  $\epsilon_r = 53.459$ ;  $\rho = 1000$  kg/m<sup>3</sup>  
 Phantom section: Flat Section

DASY4 Configuration:

- Probe: EX3DV4 - SN3995; ConvF(7.24, 7.24, 7.24); Calibrated: 09/05/2014;

- Sensor-Surface: 4mm (Mechanical Surface Detection), Sensor-Surface: 2mm (Mechanical Surface Detection)

- Electronics: DAE4 Sn1435; Calibrated: 15/04/2014

- Phantom: ELI v5.0 (30deg probe tilt); Type: QDOVA002AA; Serial: TP:xxxx

- ; SEMCAD X Version 14.6.10 (7164)

**Configuration/Left of EUT Facing Phantom - Middle/Area Scan (161x111x1):** Interpolated grid: dx=1.200 mm, dy=1.200 mm

Maximum value of SAR (interpolated) = 0.000431 W/kg

**Configuration/Left of EUT Facing Phantom - Middle/Zoom Scan (7x7x7) (7x7x7)/Cube 0:** Measurement grid: dx=5mm, dy=5mm, dz=5mm

Reference Value = 0 V/m; Power Drift = 999.00 dB

Peak SAR (extrapolated) = 0.000255 W/kg

**SAR(1 g) = 3.77e-006 W/kg; SAR(10 g) = 3.78e-007 W/kg**

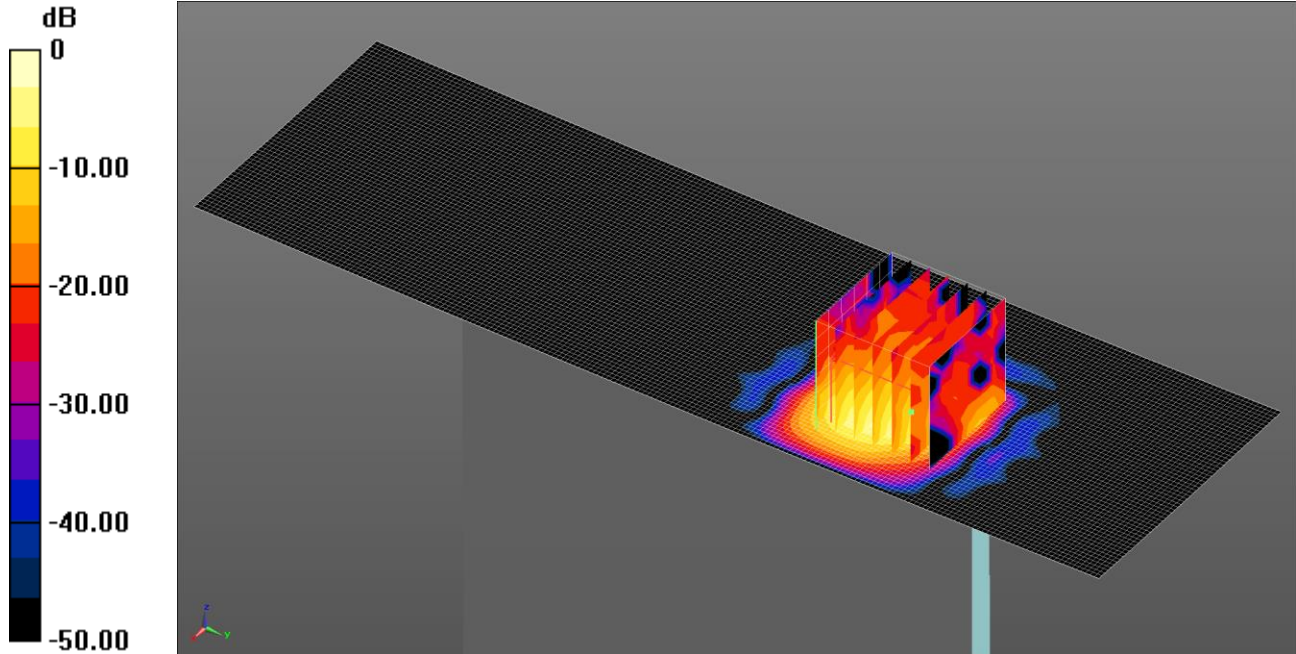
Maximum value of SAR (measured) = 0.00102 W/kg

**Note: SAR level measured is very low as equivalent to noise floor.**

312: Bottom of EUT Facing Phantom BT BR Middle CH39

Date: 07/08/14

DUT: A1600; Type: FCC ID: BCGA1600



0 dB = 0.0934 W/kg = -10.30 dBW/kg

Communication System: UID 0, Bluetooth Basic Rate (0); Frequency: 2441 MHz; Duty Cycle: 1:4.76321

Medium: 2450 MHz MSL Medium parameters used (interpolated):  $f = 2441$  MHz;  $\sigma = 2.004$  S/m;  $\epsilon_r = 53.459$ ;  $\rho = 1000$  kg/m<sup>3</sup>

Phantom section: Flat Section

DASY4 Configuration:

- Probe: EX3DV4 - SN3995; ConvF(7.24, 7.24, 7.24); Calibrated: 09/05/14;
- Sensor-Surface: 4mm (Mechanical Surface Detection), Sensor-Surface: 2mm (Mechanical Surface Detection)
- Electronics: DAE4 Sn1435; Calibrated: 15/04/14
- Phantom: ELI v5.0 (30deg probe tilt); Type: QDOVA002AA; Serial: TP:xxxx
- ; SEMCAD X Version 14.6.10 (7331)

Configuration/Right of EUT Facing Phantom - Middle 2/Area Scan (61x201x1): Interpolated grid: dx=1.200 mm, dy=1.200 mm

Maximum value of SAR (interpolated) = 0.0934 W/kg

Configuration/Right of EUT Facing Phantom - Middle 2/Zoom Scan (7x7x7) (7x7x7)/Cube 0: Measurement grid: dx=5mm, dy=5mm, dz=5mm

Reference Value = 0.4390 V/m; Power Drift = 1.35 dB

Peak SAR (extrapolated) = 0.197 W/kg

SAR(1 g) = 0.064 W/kg; SAR(10 g) = 0.019 W/kg

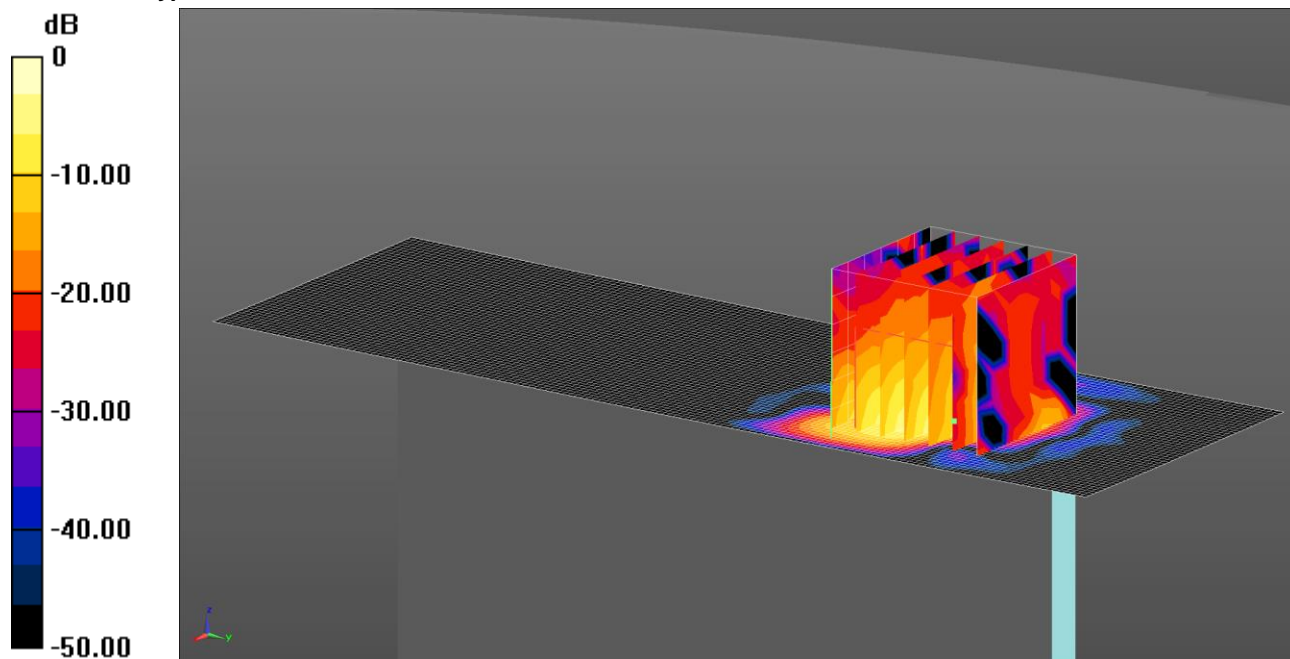
Maximum value of SAR (measured) = 0.125 W/kg

**Note: SAR level measured is very low as equivalent to noise floor.**

313: Bottom of EUT Facing Phantom BT BR Low CH0

Date: 07/08/14

DUT: A1600; Type: FCC ID: BCGA1600



0 dB = 0.0712 W/kg = -11.47 dBW/kg

Communication System: UID 0, Bluetooth Basic Rate (0); Frequency: 2402 MHz; Duty Cycle: 1:4.76321

Medium: 2450 MHz MSL Medium parameters used (interpolated):  $f = 2402$  MHz;  $\sigma = 1.951$  S/m;  $\epsilon_r = 53.516$ ;  $\rho = 1000$  kg/m<sup>3</sup>

Phantom section: Flat Section

DASY4 Configuration:

- Probe: EX3DV4 - SN3995; ConvF(7.24, 7.24, 7.24); Calibrated: 09/05/14;
- Sensor-Surface: 4mm (Mechanical Surface Detection), Sensor-Surface: 2mm (Mechanical Surface Detection)
- Electronics: DAE4 Sn1435; Calibrated: 15/04/14
- Phantom: ELI v5.0 (30deg probe tilt); Type: QDOVA002AA; Serial: TP:xxxx
- ; SEMCAD X Version 14.6.10 (7331)

Configuration/Bottom of EUT Facing Phantom - Low/Area Scan (51x151x1): Interpolated grid: dx=1.200 mm, dy=1.200 mm  
Maximum value of SAR (interpolated) = 0.0712 W/kg

Configuration/Bottom of EUT Facing Phantom - Low/Zoom Scan (7x7x7) (7x7x7)/Cube 0: Measurement grid: dx=5mm, dy=5mm, dz=5mm

Reference Value = 2.365 V/m; Power Drift

Peak SAR (extrapolated) = 0.167 W/kg

SAR(1 g) = 0.047 W/kg; SAR(10 g) = 0.013 W/kg

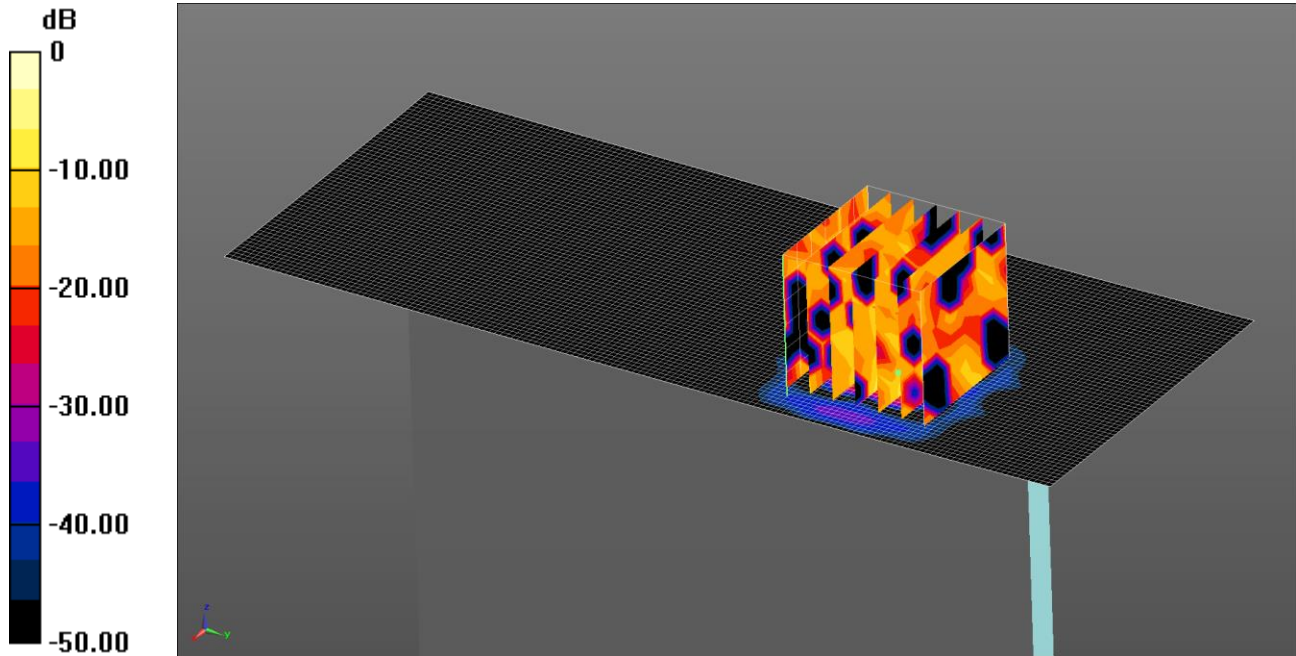
Maximum value of SAR (measured) = 0.0961 W/kg

**Note: SAR level measured is very low as equivalent to noise floor.**

314: Bottom of EUT Facing Phantom BT BR High CH78

Date: 07/08/14

DUT: A1600; Type: FCC ID: BCGA1600



0 dB = 0.00764 W/kg = -21.17 dBW/kg

Communication System: UID 0, Bluetooth Basic Rate (0); Frequency: 2480 MHz; Duty Cycle: 1:4.76321

Medium: 2450 MHz MSL Medium parameters used (interpolated):  $f = 2480$  MHz;  $\sigma = 2.049$  S/m;  $\epsilon_r = 53.347$ ;  $\rho = 1000$  kg/m<sup>3</sup>

Phantom section: Flat Section

DASY4 Configuration:

- Probe: EX3DV4 - SN3995; ConvF(7.24, 7.24, 7.24); Calibrated: 09/05/14;
- Sensor-Surface: 4mm (Mechanical Surface Detection), Sensor-Surface: 2mm (Mechanical Surface Detection)
- Electronics: DAE4 Sn1435; Calibrated: 15/04/14
- Phantom: ELI v5.0 (30deg probe tilt); Type: QDOVA002AA; Serial: TP:xxxx
- ; SEMCAD X Version 14.6.10 (7331)

Configuration/Right of EUT Facing Phantom - High/Area Scan (61x151x1): Interpolated grid: dx=1.200 mm, dy=1.200 mm  
Maximum value of SAR (interpolated) = 0.00764 W/kg

Configuration/Right of EUT Facing Phantom - High/Zoom Scan (7x7x7) (7x7x7)/Cube 0: Measurement grid: dx=5mm, dy=5mm, dz=5mm

Reference Value = 0 V/m; Power Drift = 999.00 dB

Peak SAR (extrapolated) = 0.0310 W/kg

SAR(1 g) = 0.00565 W/kg; SAR(10 g) = 0.000814 W/kg

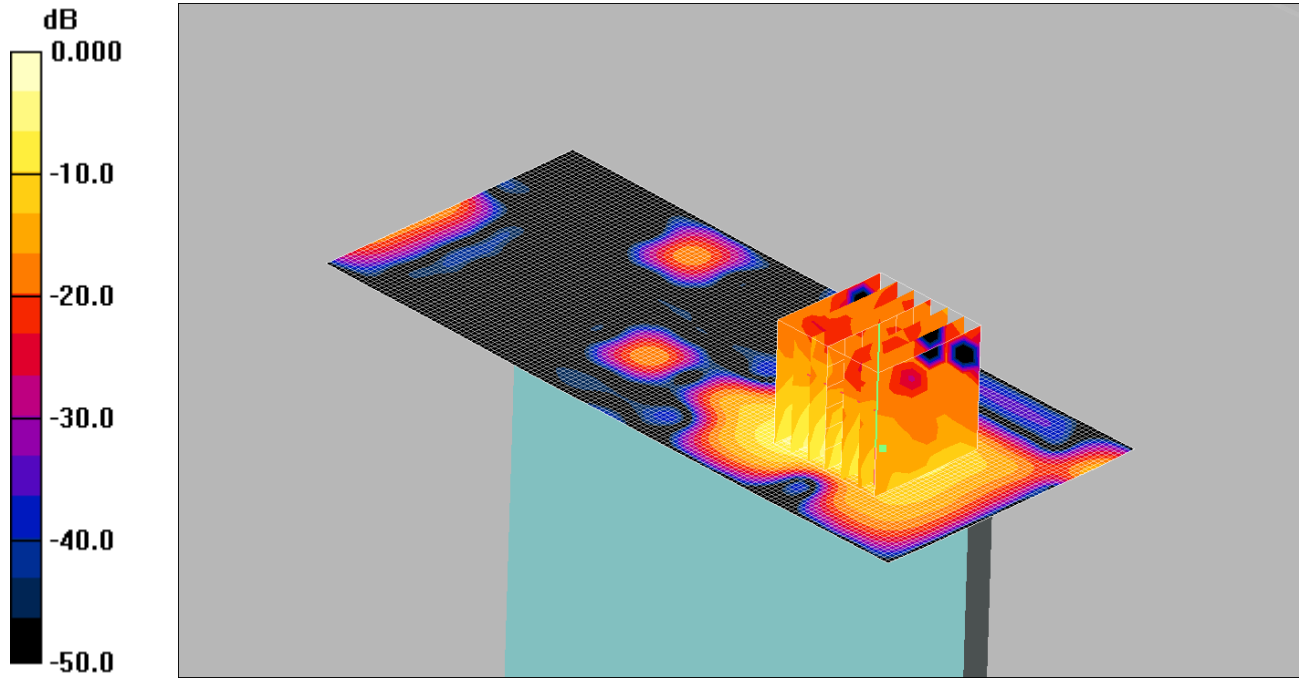
Maximum value of SAR (measured) = 0.0145 W/kg

**Note: SAR level measured is very low as equivalent to noise floor.**

315: Bottom of EUT Facing Phantom BT BR Middle CH39 Variant 2

Date: 04/09/2014

DUT: A1600; Type: FCC ID: BCGA1600



0 dB = 0.033mW/g

Communication System: Bluetooth; Frequency: 2441 MHz; Duty Cycle: 1:1

Medium: 2450 MHz MSL Medium parameters used (interpolated):  $f = 2441$  MHz;  $\sigma = 2.03$  mho/m;  $\epsilon_r = 50.6$ ;  $\rho = 1000$  kg/m<sup>3</sup>

Phantom section: Flat Section

DASY4 Configuration:

- Probe: ES3DV3 - SN3304; ConvF(4.24, 4.24, 4.24);

- Sensor-Surface: 4mm (Mechanical Surface Detection)

- Electronics: DAE3 Sn432; Calibrated: 20/08/2014

- Phantom: ELI v5.0; Type: QDOVA002AA; Serial: TP:xxxx

- Measurement SW: DASY4, V4.7 Build 80; Postprocessing SW: SEMCAD, V1.8 Build 186

**Bottom of EUT Facing Phantom - Middle/Area Scan (61x141x1):** Measurement grid: dx=12mm, dy=12mm

Maximum value of SAR (interpolated) = 0.034 mW/g

**Bottom of EUT Facing Phantom - Middle/Zoom Scan (7x7x7) (7x7x7)/Cube 0:** Measurement grid: dx=5mm, dy=5mm, dz=5mm

Reference Value = 2.15 V/m; Power Drift = 0.168 dB

Peak SAR (extrapolated) = 0.085 W/kg

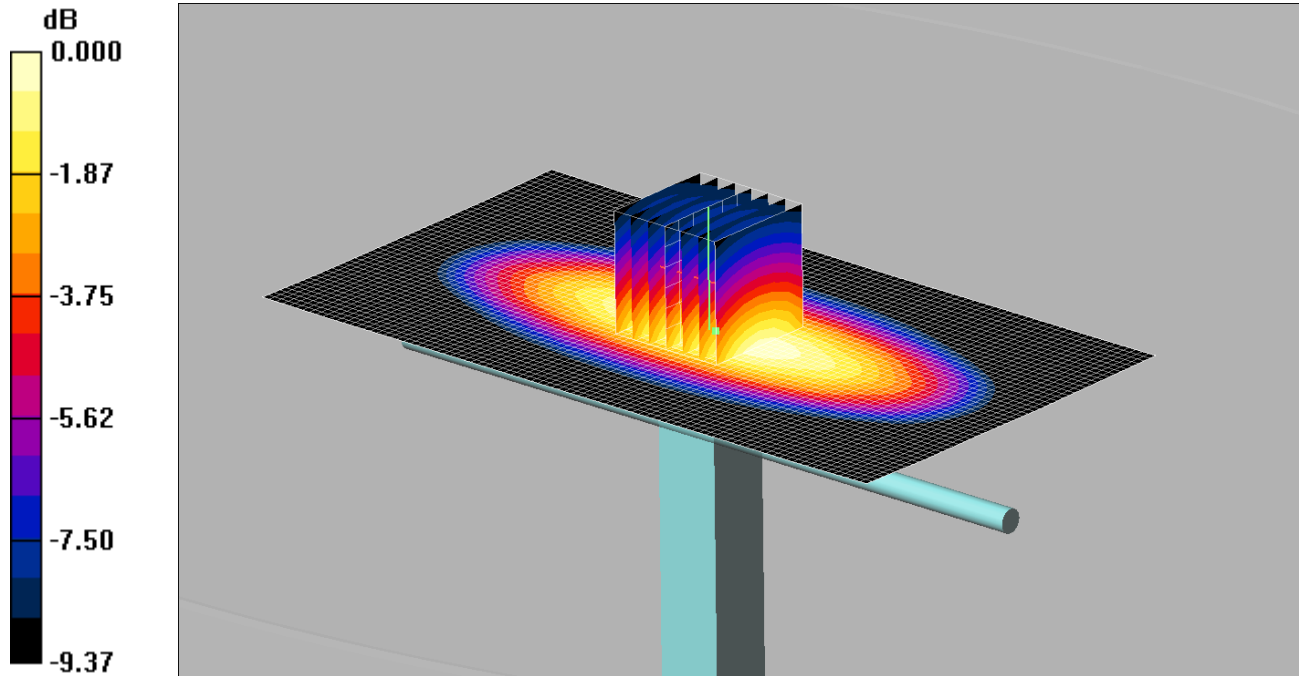
**SAR(1 g) = 0.026 mW/g; SAR(10 g) = 0.00777 mW/g**

Maximum value of SAR (measured) = 0.033 mW/g

316: System Performance Check 750MHz Body 24 07 14

Date: 24/07/2014

DUT: Dipole 750 MHz; Type: D750V3; Serial: D750V3 - SN:1011



0 dB = 2.34mW/g

Communication System: CW; Frequency: 750 MHz; Duty Cycle: 1:1

Medium: 750 MHz MSL Medium parameters used:  $f = 750 \text{ MHz}$ ;  $\sigma = 0.937 \text{ mho/m}$ ;  $\epsilon_r = 54.6$ ;  $\rho = 1000 \text{ kg/m}^3$

Phantom section: Flat Section

DASY4 Configuration:

- Probe: ET3DV6 - SN1586; ConvF(6.32, 6.32, 6.32);
- Sensor-Surface: 4mm (Mechanical Surface Detection)
- Electronics: DAE3 Sn450; Calibrated: 31/10/2013
- Phantom: ELI v5.0; Type: QDOVA002AA; Serial: TP:xxxx
- Measurement SW: DASY4, V4.7 Build 80; Postprocessing SW: SEMCAD, V1.8 Build 186

**d=15mm, Pin=250mW/Area Scan (51x91x1):** Measurement grid: dx=20mm, dy=20mm

Maximum value of SAR (interpolated) = 2.32 mW/g

**d=15mm, Pin=250mW/Zoom Scan (7x7x7) (7x7x7)/Cube 0:** Measurement grid: dx=5mm, dy=5mm, dz=5mm

Reference Value = 52.5 V/m; Power Drift = -0.028 dB

Peak SAR (extrapolated) = 2.93 W/kg

**SAR(1 g) = 2.16 mW/g; SAR(10 g) = 1.47 mW/g**

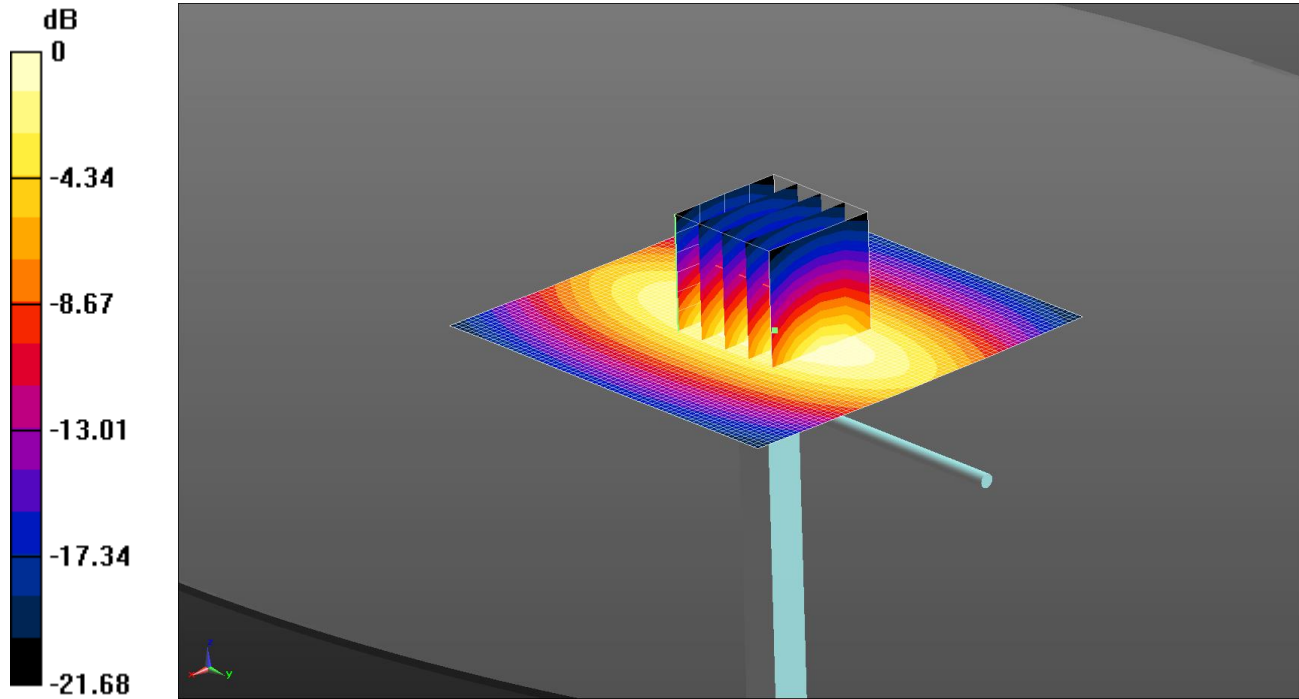
Maximum value of SAR (measured) = 2.34 mW/g



317: System Performance Check 900MHz Body 17 07 14

Date: 17/7/2014

DUT: Dipole 900 MHz; SN: 035; Type: D900V2; Serial: SN035



0 dB = 2.76 W/kg = 4.41 dBW/kg

Communication System: UID 0, CW; Frequency: 900 MHz; Duty Cycle: 1:1

Medium: 900 MHz MSL Medium parameters used:  $f = 900 \text{ MHz}$ ;  $\sigma = 1.027 \text{ S/m}$ ;  $\epsilon_r = 53.2$ ;  $\rho = 1000 \text{ kg/m}^3$

Phantom section: Flat Section

DASY4 Configuration:

- Probe: ET3DV6 - SN1586; ConvF(6.09, 6.09, 6.09); Calibrated: 22/5/2014;
- Sensor-Surface: 4mm (Mechanical Surface Detection)
- Electronics: DAE3 Sn450; Calibrated: 31/10/2013
- Phantom: ELI v5.0; Type: QDOVA002AA; Serial: TP:xxxx
- ; SEMCAD X Version 14.6.10 (7331)

Configuration/d=15mm, Pin=250mW 2/Area Scan (71x71x1): Interpolated grid: dx=1.500 mm, dy=1.500 mm

Maximum value of SAR (interpolated) = 2.76 W/kg

Configuration/d=15mm, Pin=250mW 2/Zoom Scan (5x5x7) (5x5x7)/Cube 0: Measurement grid: dx=8mm, dy=8mm, dz=5mm

Reference Value = 53.78 V/m; Power Drift = 0.07 dB

Peak SAR (extrapolated) = 3.37 W/kg

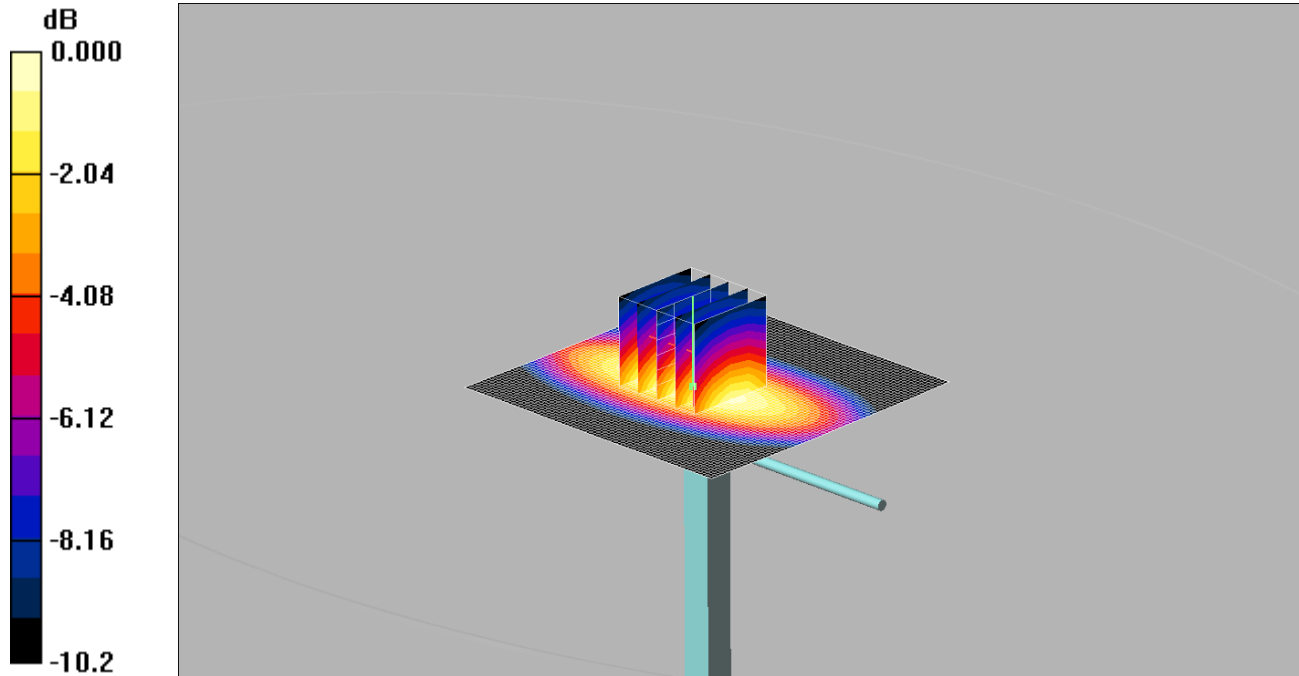
SAR(1 g) = 2.54 W/kg; SAR(10 g) = 1.7 W/kg

Maximum value of SAR (measured) = 2.77 W/kg

318: System Performance Check 900MHz Body 21 07 14

Date: 21/07/2014

DUT: Dipole 900 MHz; SN: 035; Type: D900V2; Serial: SN035



0 dB = 2.78mW/g  
 Communication System: CW; Frequency: 900 MHz; Duty Cycle: 1:1  
 Medium: 900 MHz MSL Medium parameters used:  $f = 900 \text{ MHz}$ ;  $\sigma = 1.02 \text{ mho/m}$ ;  $\epsilon_r = 56.3$ ;  $\rho = 1000 \text{ kg/m}^3$   
 Phantom section: Flat Section  
 DASY4 Configuration:  
 - Probe: ET3DV6 - SN1586; ConvF(6.09, 6.09, 6.09);  
 - Sensor-Surface: 4mm (Mechanical Surface Detection)  
 - Electronics: DAE3 Sn450; Calibrated: 31/10/2013  
 - Phantom: ELI v5.0; Type: QDOVA002AA; Serial: TP:xxxx  
 - Measurement SW: DASY4, V4.7 Build 80; Postprocessing SW: SEMCAD, V1.8 Build 186

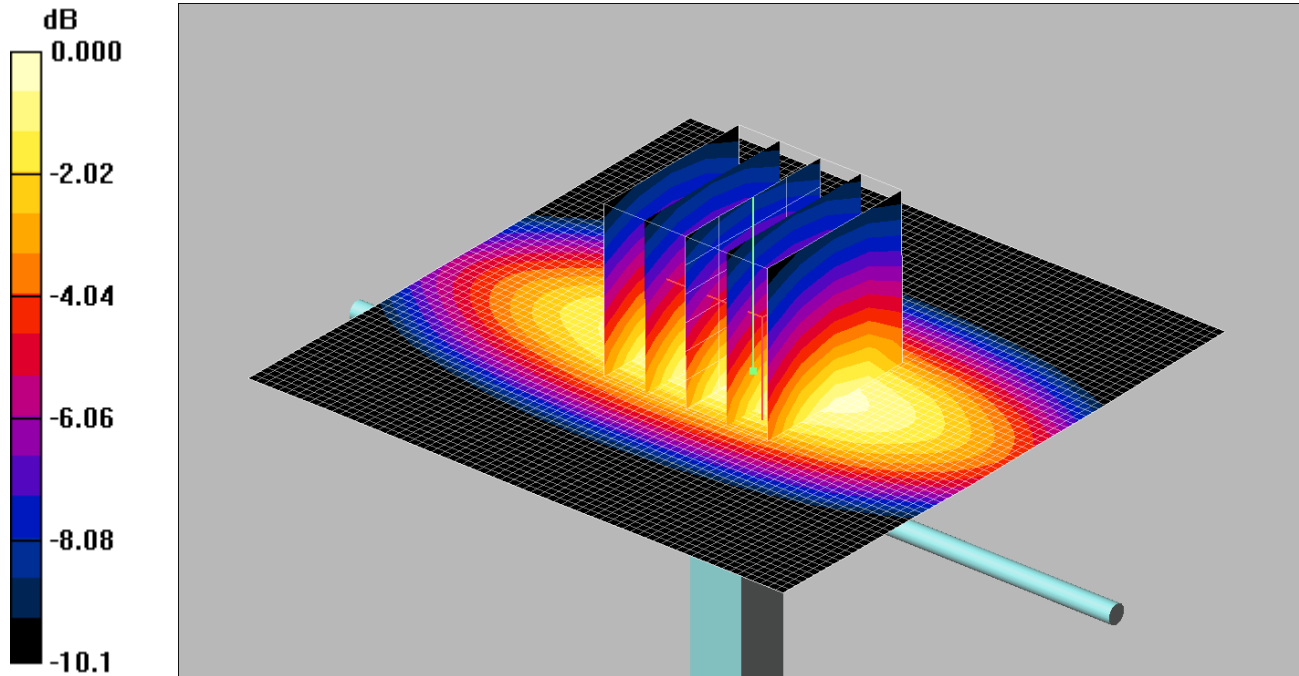
**d=15mm, Pin=250mW/Area Scan (71x71x1):** Measurement grid:  $dx=15\text{mm}$ ,  $dy=15\text{mm}$   
 Maximum value of SAR (interpolated) = 2.77 mW/g

**d=15mm, Pin=250mW/Zoom Scan (5x5x7) (5x5x7)/Cube 0:** Measurement grid:  $dx=8\text{mm}$ ,  $dy=8\text{mm}$ ,  $dz=5\text{mm}$   
 Reference Value = 54.3 V/m; Power Drift = 0.020 dB  
 Peak SAR (extrapolated) = 3.41 W/kg  
**SAR(1 g) = 2.55 mW/g; SAR(10 g) = 1.7 mW/g**  
 Maximum value of SAR (measured) = 2.78 mW/g

319: System Performance Check 900MHz Body 24 07 14

Date: 24/07/2014

DUT: Dipole 900 MHz; SN: 035; Type: D900V2; Serial: SN035



0 dB = 2.78mW/g

Communication System: CW; Frequency: 900 MHz; Duty Cycle: 1:1

Medium: 900 MHz MSL Medium parameters used:  $f = 900 \text{ MHz}$ ;  $\sigma = 1.03 \text{ mho/m}$ ;  $\epsilon_r = 54$ ;  $\rho = 1000 \text{ kg/m}^3$

Phantom section: Flat Section

DASY4 Configuration:

- Probe: ET3DV6 - SN1586; ConvF(6.09, 6.09, 6.09);
- Sensor-Surface: 4mm (Mechanical Surface Detection)
- Electronics: DAE3 Sn450; Calibrated: 31/10/2013
- Phantom: ELI v5.0; Type: QDOVA002AA; Serial: TP:xxxx
- Measurement SW: DASY4, V4.7 Build 80; Postprocessing SW: SEMCAD, V1.8 Build 186

**d=15mm, Pin=250mW 2/Area Scan (71x71x1):** Measurement grid: dx=15mm, dy=15mm

Maximum value of SAR (interpolated) = 2.77 mW/g

**d=15mm, Pin=250mW 2/Zoom Scan (5x5x7) (5x5x7)/Cube 0:** Measurement grid: dx=8mm, dy=8mm, dz=5mm

Reference Value = 53.8 V/m; Power Drift = 0.071 dB

Peak SAR (extrapolated) = 3.38 W/kg

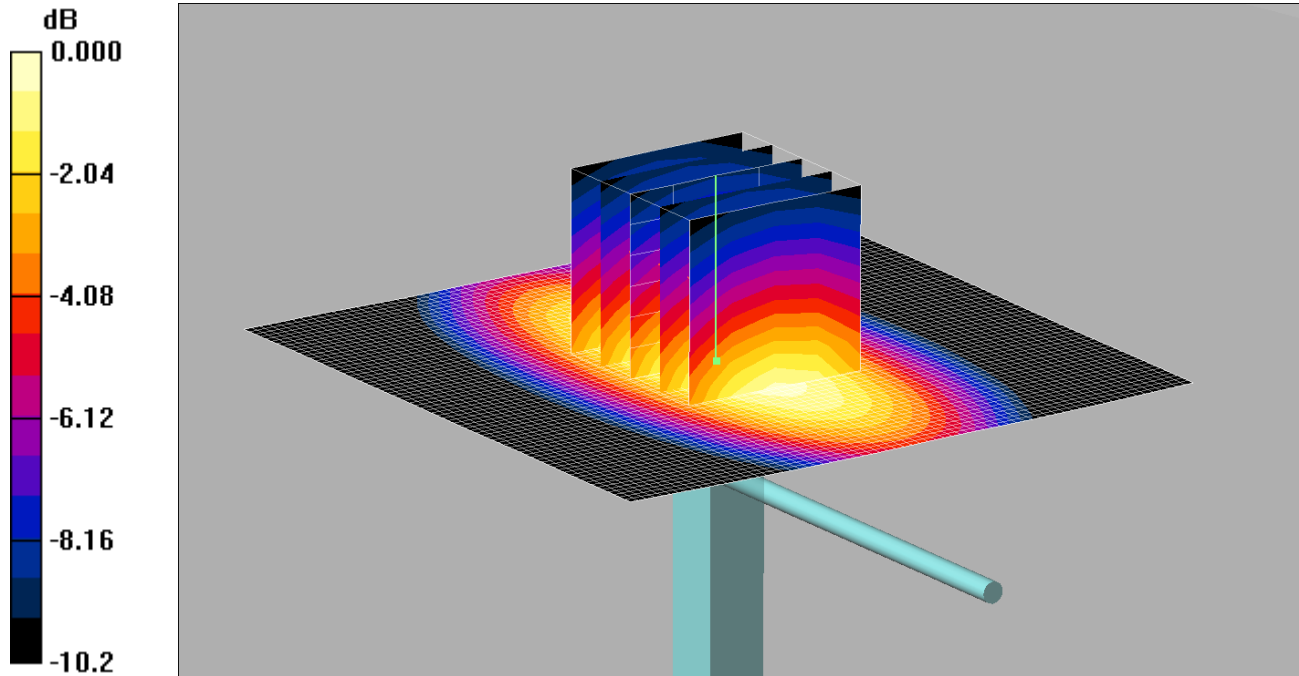
**SAR(1 g) = 2.55 mW/g; SAR(10 g) = 1.71 mW/g**

Maximum value of SAR (measured) = 2.78 mW/g

320: System Performance Check 900MHz Body 28 07 14

Date: 28/07/2014

DUT: Dipole 900 MHz; SN: 035; Type: D900V2; Serial: SN035



0 dB = 2.78mW/g

Communication System: CW; Frequency: 900 MHz; Duty Cycle: 1:1

Medium: 900 MHz MSL Medium parameters used:  $f = 900 \text{ MHz}$ ;  $\sigma = 1.02 \text{ mho/m}$ ;  $\epsilon_r = 53.4$ ;  $\rho = 1000 \text{ kg/m}^3$

Phantom section: Flat Section

DASY4 Configuration:

- Probe: ET3DV6 - SN1586; ConvF(6.09, 6.09, 6.09);
- Sensor-Surface: 4mm (Mechanical Surface Detection)
- Electronics: DAE3 Sn450; Calibrated: 31/10/2013
- Phantom: ELI v5.0; Type: QDOVA002AA; Serial: TP:xxxx
- Measurement SW: DASY4, V4.7 Build 80; Postprocessing SW: SEMCAD, V1.8 Build 186

**d=15mm, Pin=250mW/Area Scan (71x71x1):** Measurement grid: dx=15mm, dy=15mm

Maximum value of SAR (interpolated) = 2.78 mW/g

**d=15mm, Pin=250mW/Zoom Scan (5x5x7) (5x5x7)/Cube 0:** Measurement grid: dx=8mm, dy=8mm, dz=5mm

Reference Value = 54.9 V/m; Power Drift = -0.036 dB

Peak SAR (extrapolated) = 3.41 W/kg

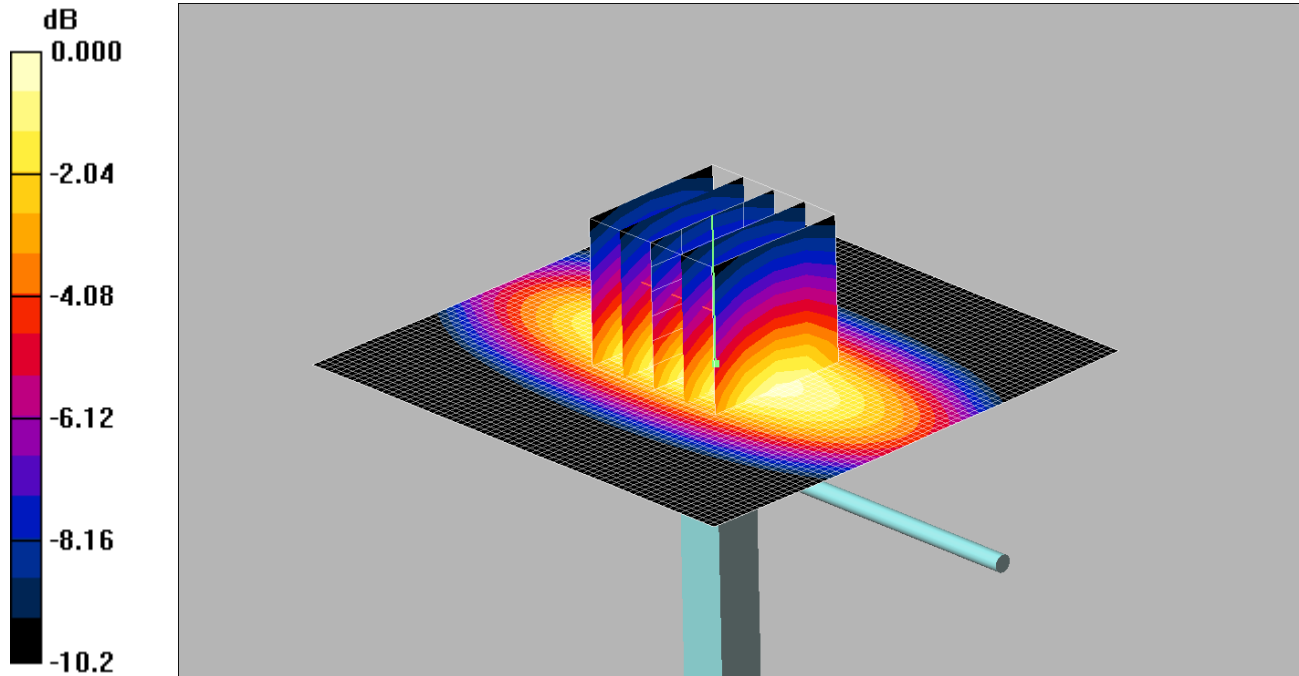
**SAR(1 g) = 2.56 mW/g; SAR(10 g) = 1.71 mW/g**

Maximum value of SAR (measured) = 2.78 mW/g

321: System Performance Check 900MHz Body 31 07 14

Date: 31/07/2014

DUT: Dipole 900 MHz; SN: 035; Type: D900V2; Serial: SN035



0 dB = 2.76mW/g

Communication System: CW; Frequency: 900 MHz; Duty Cycle: 1:1

Medium: 900 MHz MSL Medium parameters used:  $f = 900 \text{ MHz}$ ;  $\sigma = 1.02 \text{ mho/m}$ ;  $\epsilon_r = 54.5$ ;  $\rho = 1000 \text{ kg/m}^3$

Phantom section: Flat Section

DASY4 Configuration:

- Probe: ET3DV6 - SN1586; ConvF(6.09, 6.09, 6.09);
- Sensor-Surface: 4mm (Mechanical Surface Detection)
- Electronics: DAE3 Sn450; Calibrated: 31/10/2013
- Phantom: ELI v5.0; Type: QDOVA002AA; Serial: TP:xxxx
- Measurement SW: DASY4, V4.7 Build 80; Postprocessing SW: SEMCAD, V1.8 Build 186

**d=15mm, Pin=250mW/Area Scan (71x71x1):** Measurement grid:  $dx=15\text{mm}$ ,  $dy=15\text{mm}$

Maximum value of SAR (interpolated) = 2.76 mW/g

**d=15mm, Pin=250mW/Zoom Scan (5x5x7) (5x5x7)/Cube 0:** Measurement grid:  $dx=8\text{mm}$ ,  $dy=8\text{mm}$ ,  $dz=5\text{mm}$

Reference Value = 54.9 V/m; Power Drift = -0.036 dB

Peak SAR (extrapolated) = 3.39 W/kg

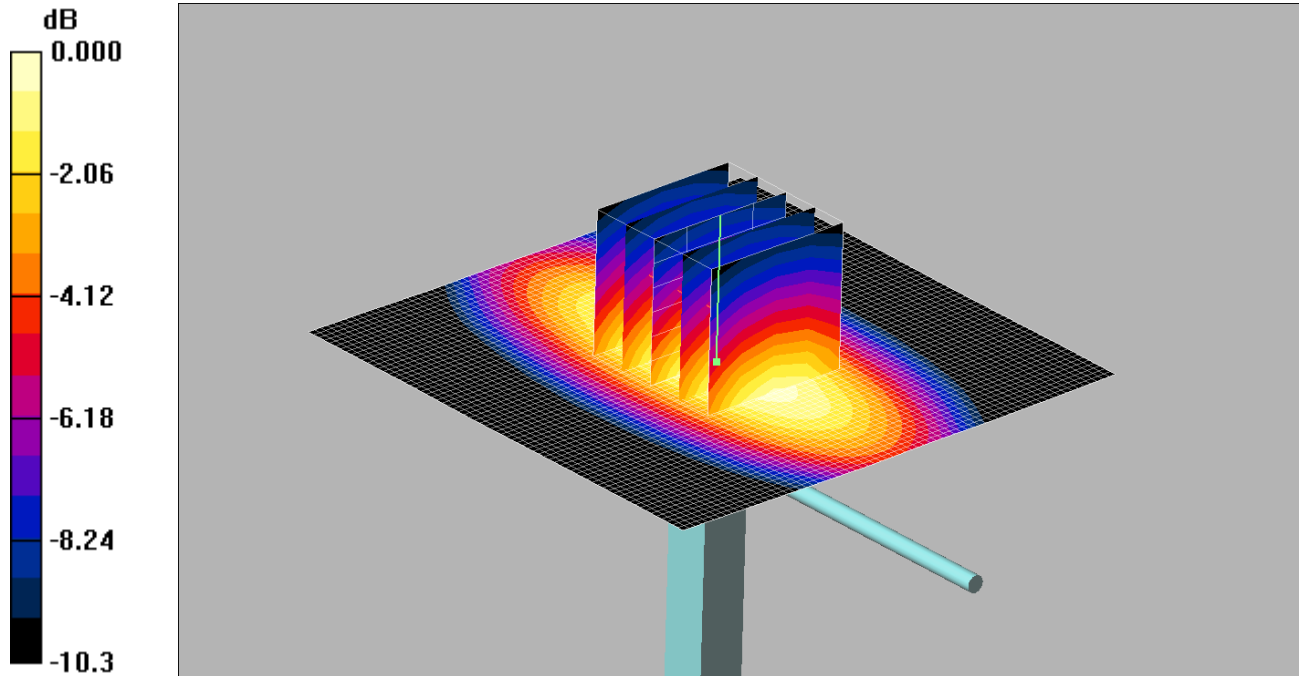
**SAR(1 g) = 2.54 mW/g; SAR(10 g) = 1.7 mW/g**

Maximum value of SAR (measured) = 2.76 mW/g

322: System Performance Check 900MHz Body 04 08 14

Date: 04/08/2014

DUT: Dipole 900 MHz; SN: 035; Type: D900V2; Serial: SN035



0 dB = 2.76mW/g

Communication System: CW; Frequency: 900 MHz; Duty Cycle: 1:1

Medium: 900 MHz MSL Medium parameters used:  $f = 900 \text{ MHz}$ ;  $\sigma = 1.02 \text{ mho/m}$ ;  $\epsilon_r = 53.3$ ;  $\rho = 1000 \text{ kg/m}^3$

Phantom section: Flat Section

DASY4 Configuration:

- Probe: ET3DV6 - SN1586; ConvF(6.09, 6.09, 6.09);
- Sensor-Surface: 4mm (Mechanical Surface Detection)
- Electronics: DAE3 Sn450; Calibrated: 31/10/2013
- Phantom: ELI v5.0; Type: QDOVA002AA; Serial: TP:xxxx
- Measurement SW: DASY4, V4.7 Build 80; Postprocessing SW: SEMCAD, V1.8 Build 186

**d=15mm, Pin=250mW/Area Scan (71x71x1):** Measurement grid: dx=15mm, dy=15mm

Maximum value of SAR (interpolated) = 2.77 mW/g

**d=15mm, Pin=250mW/Zoom Scan (5x5x7) (5x5x7)/Cube 0:** Measurement grid: dx=8mm, dy=8mm, dz=5mm

Reference Value = 55.3 V/m; Power Drift = 0.011 dB

Peak SAR (extrapolated) = 3.37 W/kg

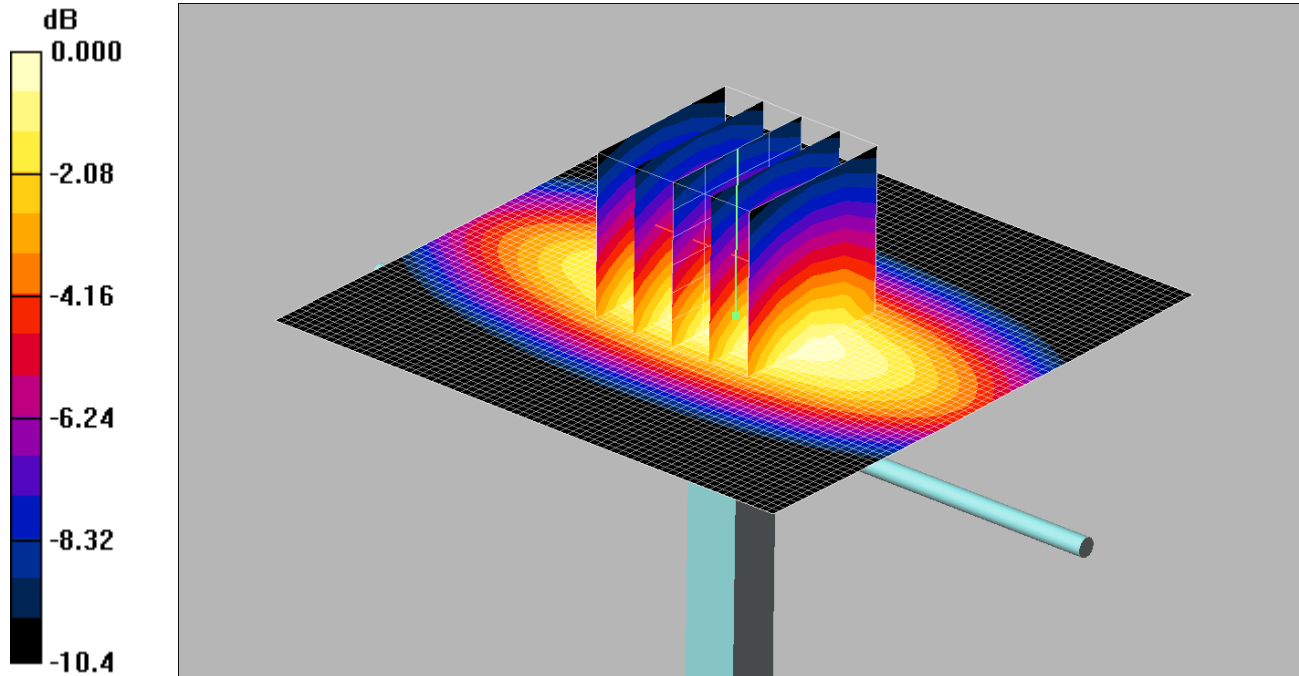
**SAR(1 g) = 2.54 mW/g; SAR(10 g) = 1.69 mW/g**

Maximum value of SAR (measured) = 2.76 mW/g

323: System Performance Check 900MHz Body 06 08 14

Date: 06/08/2014

DUT: Dipole 900 MHz; SN: 035; Type: : D900V2; Serial: SN035



0 dB = 2.76mW/g

Communication System: CW; Frequency: 900 MHz; Duty Cycle: 1:1

Medium: 900 MHz MSL Medium parameters used:  $f = 900 \text{ MHz}$ ;  $\sigma = 1.01 \text{ mho/m}$ ;  $\epsilon_r = 53.8$ ;  $\rho = 1000 \text{ kg/m}^3$

Phantom section: Flat Section

DASY4 Configuration:

- Probe: ET3DV6 - SN1586; ConvF(6.09, 6.09, 6.09);
- Sensor-Surface: 4mm (Mechanical Surface Detection)
- Electronics: DAE3 Sn450; Calibrated: 31/10/2013
- Phantom: ELI v5.0; Type: QDOVA002AA; Serial: TP:xxxx
- Measurement SW: DASY4, V4.7 Build 80; Postprocessing SW: SEMCAD, V1.8 Build 186

**d=15mm, Pin=250mW/Area Scan (71x71x1):** Measurement grid: dx=15mm, dy=15mm

Maximum value of SAR (interpolated) = 2.76 mW/g

**d=15mm, Pin=250mW/Zoom Scan (5x5x7) (5x5x7)/Cube 0:** Measurement grid: dx=8mm, dy=8mm, dz=5mm

Reference Value = 54.8 V/m; Power Drift = 0.009 dB

Peak SAR (extrapolated) = 3.40 W/kg

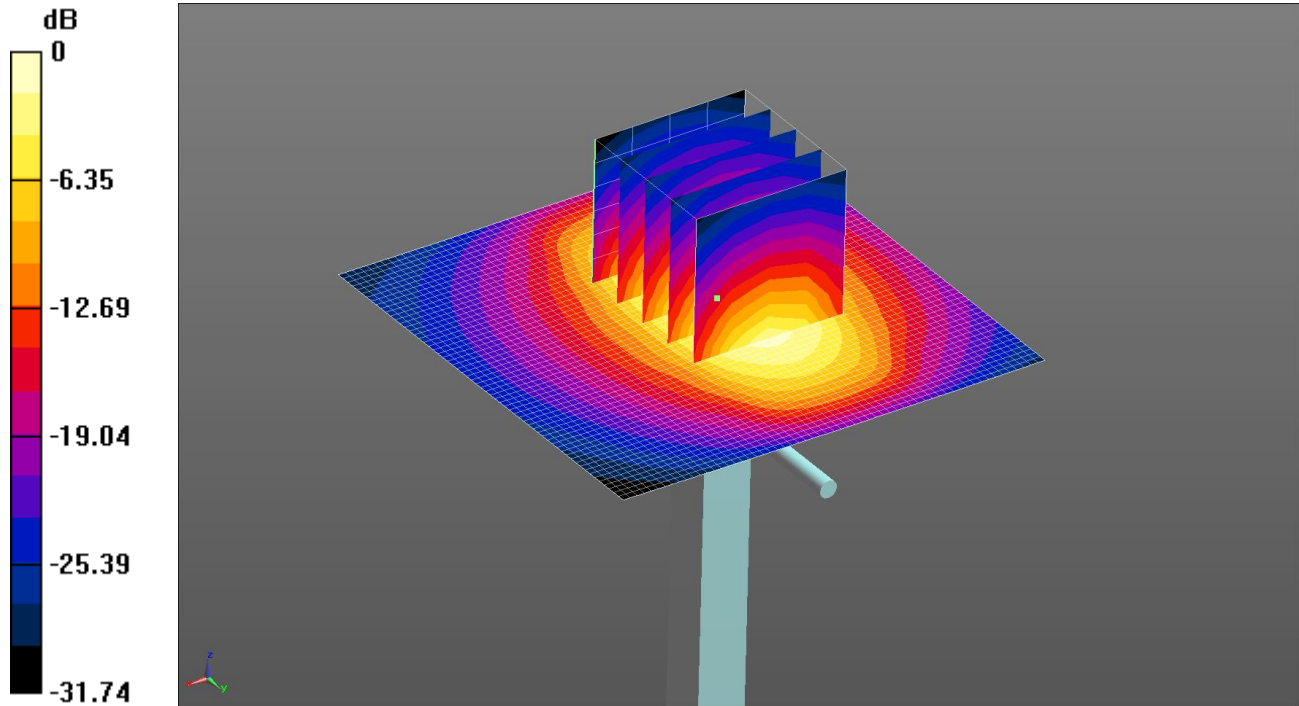
**SAR(1 g) = 2.53 mW/g; SAR(10 g) = 1.68 mW/g**

Maximum value of SAR (measured) = 2.76 mW/g

324: System Performance Check 1800MHz Body 28 07 14

Date: 28/07/2014

DUT: Dipole 1800 MHz; Type: D1800V2; Serial: 2d009



0 dB = 10.9 W/kg = 10.38 dBW/kg

Communication System: UID 0, CW; Frequency: 1800 MHz; Duty Cycle: 1:1

Medium: 1800MHz MSL Medium parameters used:  $f = 1800 \text{ MHz}$ ;  $\sigma = 1.55 \text{ S/m}$ ;  $\epsilon_r = 53.431$ ;  $\rho = 1000 \text{ kg/m}^3$

Phantom section: Flat Section

DASY4 Configuration:

- Probe: EX3DV4 - SN3994; ConvF(8.18, 8.18, 8.18); Calibrated: 07/05/2014;
- Sensor-Surface: 4mm (Mechanical Surface Detection)
- Electronics: DAE3 Sn431; Calibrated: 18/11/2013
- Phantom: ELI v5.0; Type: QDOVA002AA; Serial: TP:xxxx
- ; SEMCAD X Version 14.6.10 (7164)

**SAR/d=10mm, Pin=250 mW, dist=10.0mm (ET-Probe) 2 2/Area Scan (61x61x1):** Interpolated grid: dx=1.500 mm, dy=1.500 mm

Maximum value of SAR (interpolated) = 10.9 W/kg

**SAR/d=10mm, Pin=250 mW, dist=10.0mm (ET-Probe) 2 2/Zoom Scan (5x5x7) (5x5x7)/Cube 0:** Measurement grid: dx=8mm, dy=8mm, dz=5mm

Reference Value = 80.357 V/m; Power Drift = 0.01 dB

Peak SAR (extrapolated) = 17.0 W/kg

**SAR(1 g) = 9.48 W/kg; SAR(10 g) = 5 W/kg**

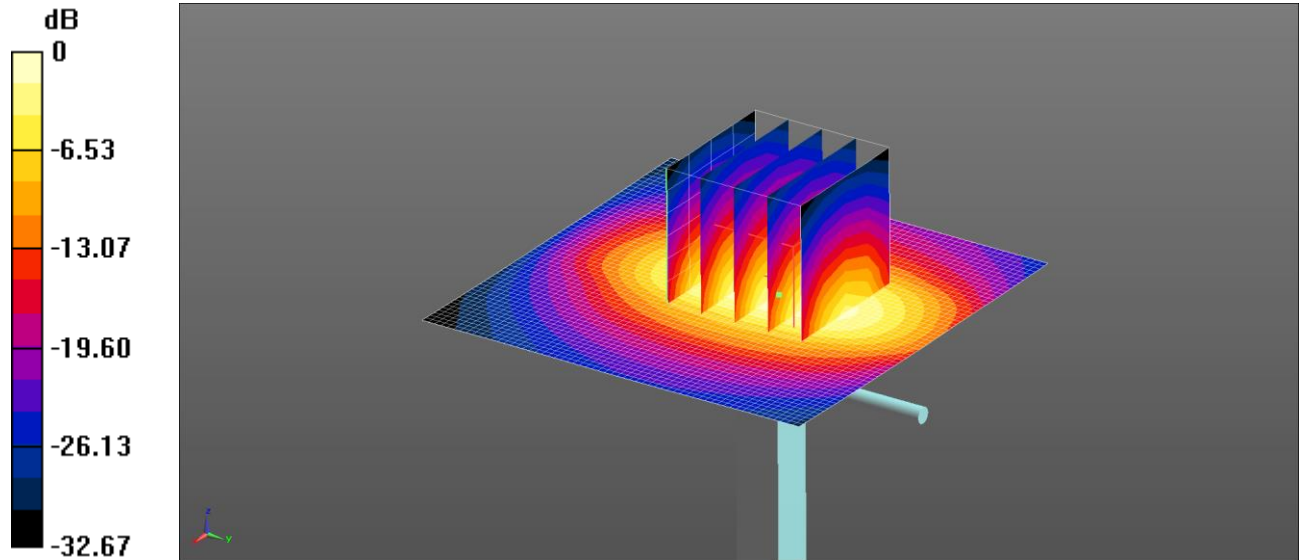
Maximum value of SAR (measured) = 10.6 W/kg



325: System Performance Check 1800MHz Body 28 07 14

Date: 28/07/2014

DUT: Dipole 1800 MHz; Type: D1800V2; Serial: 264



0 dB = 11.9 W/kg = 10.77 dBW/kg

Communication System: UID 0, CW; Frequency: 1800 MHz; Duty Cycle: 1:1

Medium: 1800 MHz MSL Medium parameters used:  $f = 1800 \text{ MHz}$ ;  $\sigma = 1.568 \text{ S/m}$ ;  $\epsilon_r = 52.309$ ;  $\rho = 1000 \text{ kg/m}^3$

Phantom section: Flat Section

DASY4 Configuration:

- Probe: ET3DV6 - SN1586; ConvF(4.94, 4.94, 4.94); Calibrated: 22/05/2014;
- Sensor-Surface: 4mm (Mechanical Surface Detection)
- Electronics: DAE3 Sn450; Calibrated: 31/10/2013
- Phantom: ELI v5.0; Type: QDOVA002AA; Serial: TP:xxxx
- ; SEMCAD X Version 14.6.10 (7164)

**Configuration/d=10mm, Pin=250mW/Area Scan (61x61x1):** Interpolated grid:  $dx=1.500 \text{ mm}$ ,  $dy=1.500 \text{ mm}$

Maximum value of SAR (interpolated) = 11.9 W/kg

**Configuration/d=10mm, Pin=250mW/Zoom Scan (5x5x7) (5x5x7)/Cube 0:** Measurement grid:  $dx=8\text{mm}$ ,  $dy=8\text{mm}$ ,  $dz=5\text{mm}$

Reference Value = 89.163 V/m; Power Drift = -0.00 dB

Peak SAR (extrapolated) = 14.1 W/kg

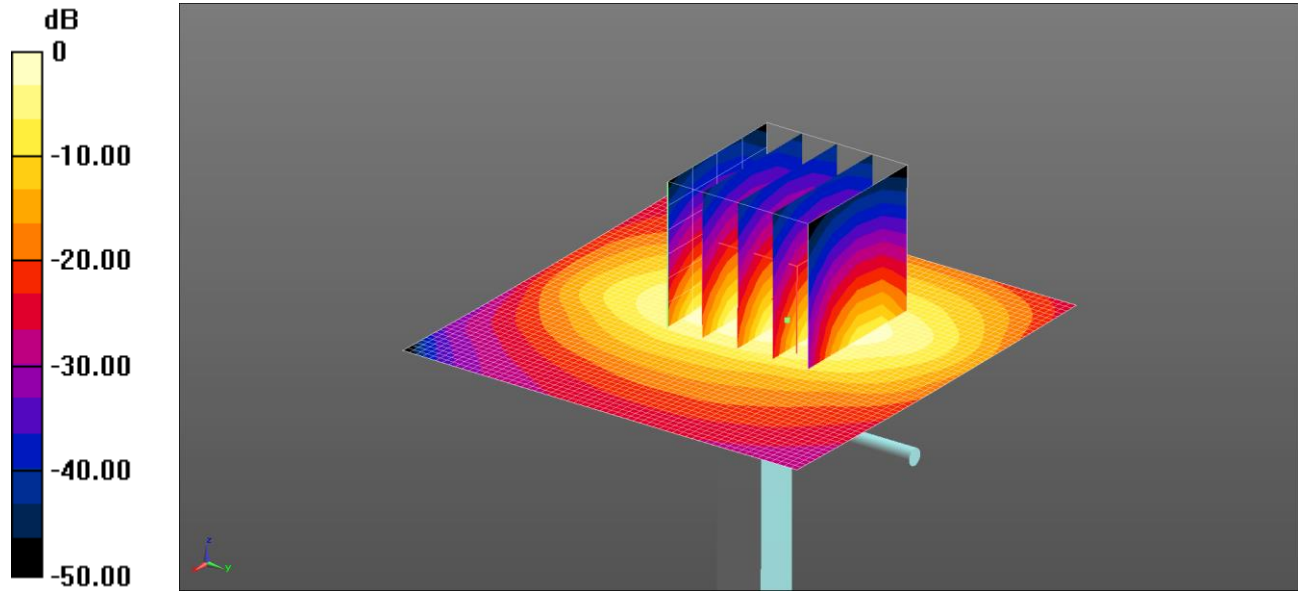
**SAR(1 g) = 9.26 W/kg; SAR(10 g) = 5.08 W/kg**

Maximum value of SAR (measured) = 10.5 W/kg

326: System Performance Check 1800MHz Body 05 08 14

Date: 05/08/2014

DUT: Dipole 1800 MHz; Type: D1800V2; Serial: 2d009



0 dB = 11.0 W/kg = 10.41 dBW/kg

Communication System: UID 0, CW; Frequency: 1800 MHz; Duty Cycle: 1:1

Medium: 1800MHz MSL Medium parameters used:  $f = 1800 \text{ MHz}$ ;  $\sigma = 1.527 \text{ S/m}$ ;  $\epsilon_r = 53.296$ ;  $\rho = 1000 \text{ kg/m}^3$

Phantom section: Flat Section

DASY4 Configuration:

- Probe: EX3DV4 - SN3995; ConvF(8, 8, 8); Calibrated: 09/05/2014;
- Sensor-Surface: 4mm (Mechanical Surface Detection)
- Electronics: DAE4 Sn1435; Calibrated: 15/04/2014
- Phantom: ELI v5.0 (30deg probe tilt); Type: QDOVA002AA; Serial: TP:xxxx
- ; SEMCAD X Version 14.6.10 (7164)

**SAR/d=10mm, Pin=250 mW, dist=10.0mm (ET-Probe) 2 2/Area Scan (61x61x1):** Interpolated grid: dx=1.500 mm, dy=1.500 mm

Maximum value of SAR (interpolated) = 11.0 W/kg

**SAR/d=10mm, Pin=250 mW, dist=10.0mm (ET-Probe) 2 2/Zoom Scan (5x5x7) (5x5x7)/Cube 0:** Measurement grid: dx=8mm, dy=8mm, dz=5mm

Reference Value = 80.194 V/m; Power Drift = 0.05 dB

Peak SAR (extrapolated) = 17.2 W/kg

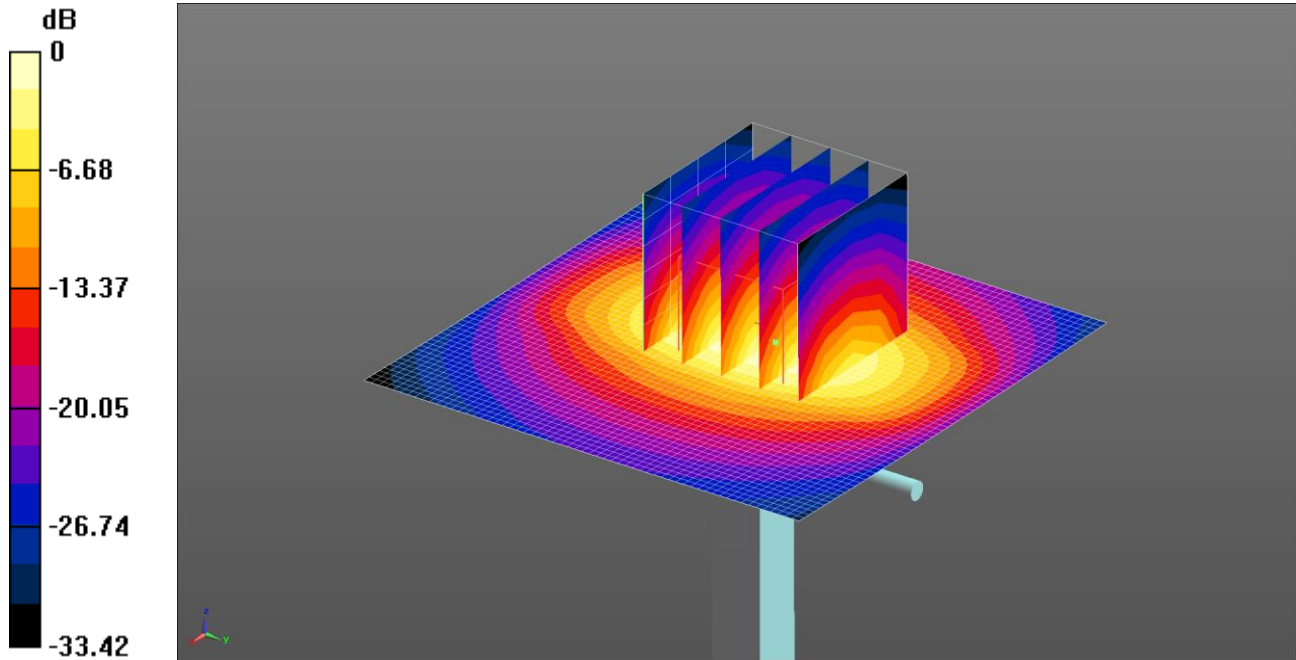
**SAR(1 g) = 9.55 W/kg; SAR(10 g) = 5.06 W/kg**

Maximum value of SAR (measured) = 10.7 W/kg

327: System Performance Check 1900MHz Body 17 07 14

Date: 17/07/2014

DUT: Dipole 1900 MHz; Type: D1900V2; Serial: SN537



0 dB = 11.9 W/kg = 10.74 dBW/kg

Communication System: UID 0, CW (0); Frequency: 1900 MHz; Duty Cycle: 1:1

Medium: 1900 MHz /MSL Medium parameters used:  $f = 1900$  MHz;  $\sigma = 1.561$  S/m;  $\epsilon_r = 52.254$ ;  $\rho = 1000$  kg/m<sup>3</sup>

Phantom section: Flat Section

DASY4 Configuration:

- Probe: EX3DV4 - SN3995; ConvF(7.74, 7.74, 7.74); Calibrated: 09/05/2014;
- Sensor-Surface: 4mm (Mechanical Surface Detection)
- Electronics: DAE4 Sn1435; Calibrated: 15/04/2014
- Phantom: ELI v5.0 (30deg probe tilt); Type: QDOVA002AA; Serial: TP:xxxx
- ; SEMCAD X Version 14.6.10 (7164)

**SAR/d=15mm, Pin=250 mW, dist=10.0mm (ET-Probe) 2/Area Scan (61x61x1):** Interpolated grid: dx=1.500 mm, dy=1.500 mm

Maximum value of SAR (interpolated) = 11.9 W/kg

**SAR/d=15mm, Pin=250 mW, dist=10.0mm (ET-Probe) 2/Zoom Scan (5x5x7) (5x5x7)/Cube 0:** Measurement grid:

dx=8mm, dy=8mm, dz=5mm

Reference Value = 83.872 V/m; Power Drift = 0.06 dB

Peak SAR (extrapolated) = 18.4 W/kg

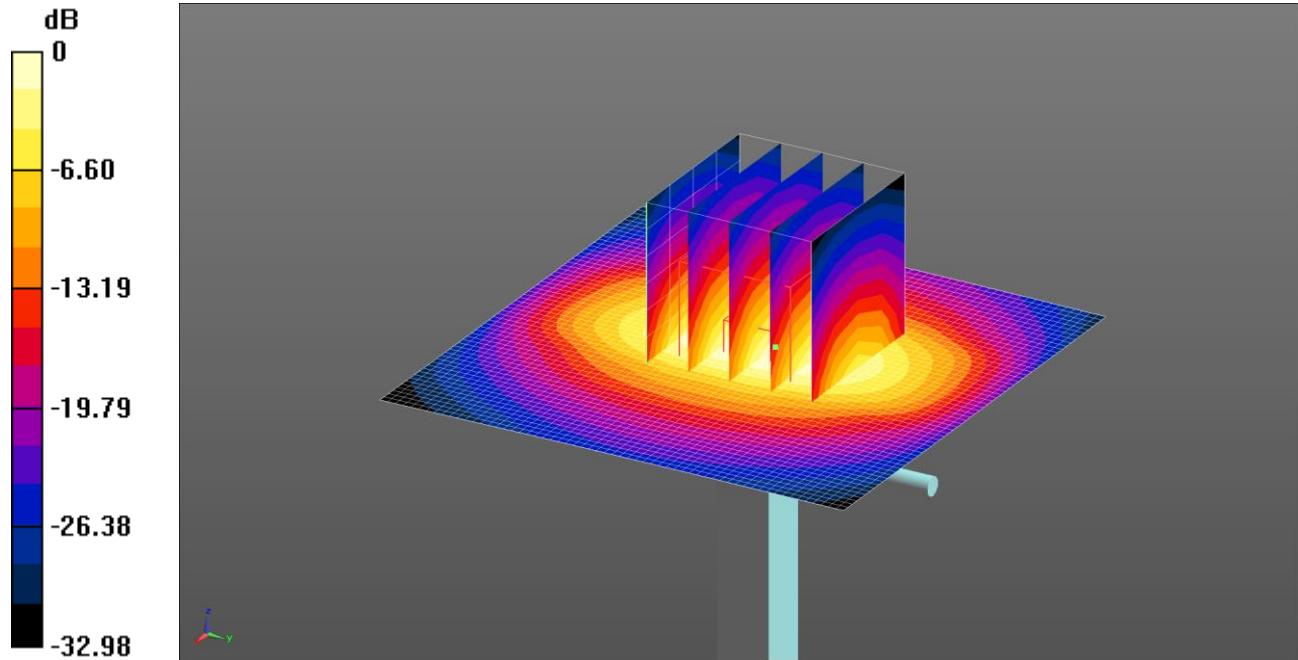
**SAR(1 g) = 10.1 W/kg; SAR(10 g) = 5.21 W/kg**

Maximum value of SAR (measured) = 11.3 W/kg

328: System Performance Check 1900MHz Body 21 07 14

Date: 21/07/2014

DUT: Dipole 1900 MHz; Type: D1900V2; Serial: SN537



0 dB = 12.1 W/kg = 10.82 dBW/kg

Communication System: UID 0, CW (0); Frequency: 1900 MHz; Duty Cycle: 1:1

Medium: 1900 MHz /MSL Medium parameters used: f = 1900 MHz;  $\sigma = 1.528$  S/m;  $\epsilon_r = 52.578$ ;  $\rho = 1000$  kg/m<sup>3</sup>

Phantom section: Flat Section

DASY4 Configuration:

- Probe: EX3DV4 - SN3995; ConvF(7.74, 7.74, 7.74); Calibrated: 09/05/2014;
- Sensor-Surface: 4mm (Mechanical Surface Detection)
- Electronics: DAE4 Sn1435; Calibrated: 15/04/2014
- Phantom: ELI v5.0 (30deg probe tilt); Type: QDOVA002AA; Serial: TP:xxxx
- ; SEMCAD X Version 14.6.10 (7164)

**SAR/d=15mm, Pin=250 mW, dist=10.0mm (ET-Probe) 2/Area Scan (61x61x1):** Interpolated grid: dx=1.500 mm, dy=1.500 mm

Maximum value of SAR (interpolated) = 12.1 W/kg

**SAR/d=15mm, Pin=250 mW, dist=10.0mm (ET-Probe) 2/Zoom Scan (5x5x7) (5x5x7)/Cube 0:** Measurement grid:

dx=8mm, dy=8mm, dz=5mm

Reference Value = 86.907 V/m; Power Drift = 0.01 dB

Peak SAR (extrapolated) = 18.9 W/kg

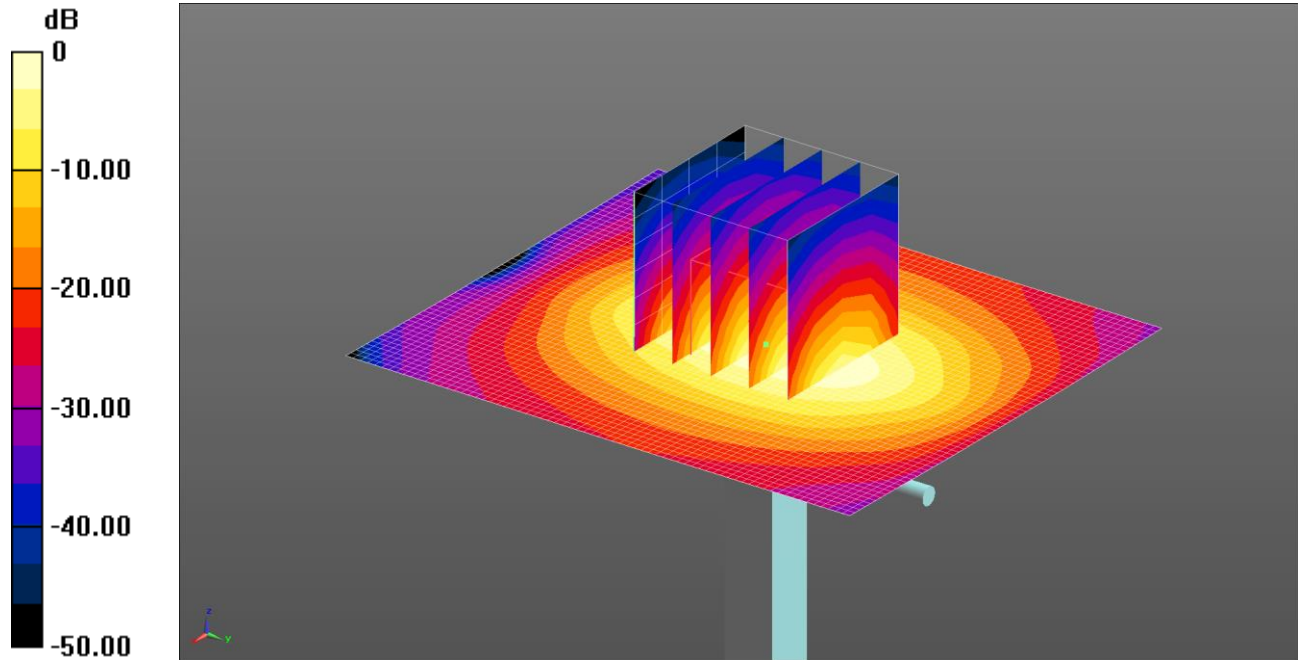
**SAR(1 g) = 10.4 W/kg; SAR(10 g) = 5.4 W/kg**

Maximum value of SAR (measured) = 11.6 W/kg

329: System Performance Check 1900MHz Body 24 07 14

Date: 24/07/2014

DUT: Dipole 1900 MHz; Type: D1900V2; Serial: SN537



0 dB = 12.3 W/kg = 10.89 dBW/kg

Communication System: UID 0, CW (0); Frequency: 1900 MHz; Duty Cycle: 1:1

Medium: 1900 MHz /MSL Medium parameters used:  $f = 1900$  MHz;  $\sigma = 1.549$  S/m;  $\epsilon_r = 53.493$ ;  $\rho = 1000$  kg/m<sup>3</sup>

Phantom section: Flat Section

DASY4 Configuration:

- Probe: EX3DV4 - SN3995; ConvF(7.74, 7.74, 7.74); Calibrated: 09/05/2014;
- Sensor-Surface: 4mm (Mechanical Surface Detection)
- Electronics: DAE4 Sn1435; Calibrated: 15/04/2014
- Phantom: ELI v5.0 (30deg probe tilt); Type: QDOVA002AA; Serial: TP:xxxx
- ; SEMCAD X Version 14.6.10 (7164)

**SAR/d=15mm, Pin=250 mW, dist=10.0mm (ET-Probe) 2 2 /Area Scan (61x71x1):** Interpolated grid: dx=1.500 mm, dy=1.500 mm

Maximum value of SAR (interpolated) = 12.3 W/kg

**SAR/d=15mm, Pin=250 mW, dist=10.0mm (ET-Probe) 2 2 /Zoom Scan (5x5x7) (5x5x7)/Cube 0:** Measurement grid: dx=8mm, dy=8mm, dz=5mm

Reference Value = 85.906 V/m; Power Drift = -0.00 dB

Peak SAR (extrapolated) = 18.8 W/kg

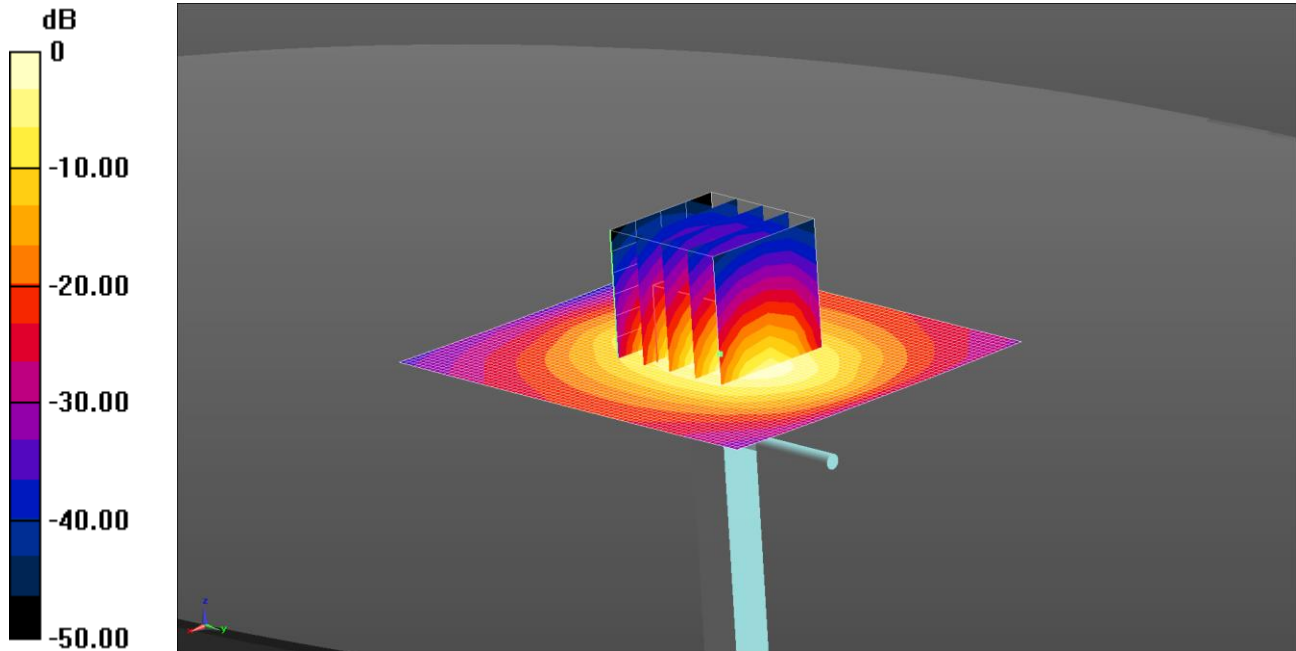
**SAR(1 g) = 10.3 W/kg; SAR(10 g) = 5.39 W/kg**

Maximum value of SAR (measured) = 11.4 W/kg

330: System Performance Check 1900MHz Body 28 07 14

Date: 28/07/14

DUT: Dipole 1900 MHz; Type: D1900V2; Serial: SN537



0 dB = 12.5 W/kg = 10.97 dBW/kg

Communication System: UID 0, CW (0); Frequency: 1900 MHz; Duty Cycle: 1:1

Medium: 1900 MHz /MSL Medium parameters used:  $f = 1900$  MHz;  $\sigma = 1.558$  S/m;  $\epsilon_r = 51.902$ ;  $\rho = 1000$  kg/m<sup>3</sup>

Phantom section: Flat Section

DASY4 Configuration:

- Probe: EX3DV4 - SN3995; ConvF(7.74, 7.74, 7.74); Calibrated: 09/05/14;

- Sensor-Surface: 4mm (Mechanical Surface Detection)

- Electronics: DAE4 Sn1435; Calibrated: 15/04/14

- Phantom: ELI v5.0 (30deg probe tilt); Type: QDOVA002AA; Serial: TP:xxxx

- ; SEMCAD X Version 14.6.10 (7331)

SAR/d=15mm, Pin=250 mW, dist=10.0mm (ET-Probe) 2 2 2 2/Area Scan (61x71x1): Interpolated grid: dx=1.500 mm, dy=1.500 mm

Maximum value of SAR (interpolated) = 12.5 W/kg

SAR/d=15mm, Pin=250 mW, dist=10.0mm (ET-Probe) 2 2 2 2/Zoom Scan (5x5x7) (5x5x7)/Cube 0: Measurement grid: dx=8mm, dy=8mm, dz=5mm

Reference Value = 86.52 V/m; Power Drift = 0.01 dB

Peak SAR (extrapolated) = 19.1 W/kg

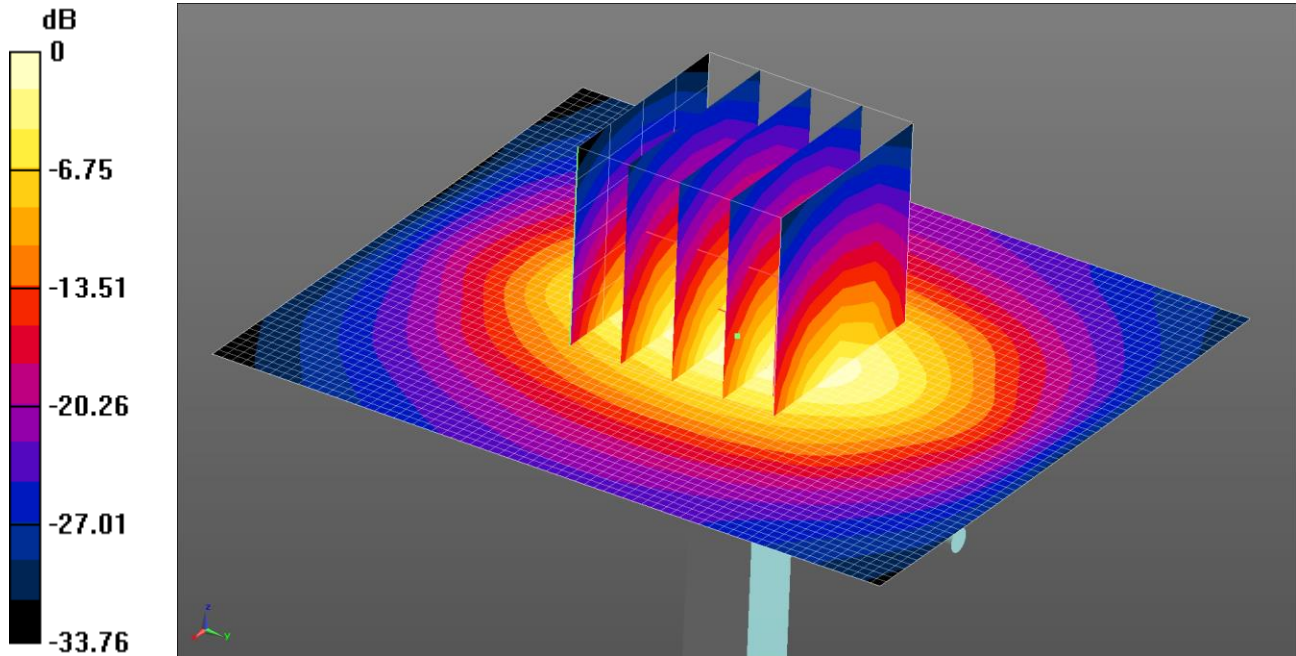
SAR(1 g) = 10.5 W/kg; SAR(10 g) = 5.41 W/kg

Maximum value of SAR (measured) = 11.7 W/kg

331: System Performance Check 1900 MHz Body 04 08 14

Date: 04/08/14

DUT: Dipole 1900 MHz; Type: D1900V2; Serial: SN537



0 dB = 12.2 W/kg = 10.85 dBW/kg

Communication System: UID 0, CW (0); Frequency: 1900 MHz; Duty Cycle: 1:1

Medium: 1900 MHz MSL Medium parameters used:  $f = 1900$  MHz;  $\sigma = 1.56$  S/m;  $\epsilon_r = 51.054$ ;  $\rho = 1000$  kg/m<sup>3</sup>

Phantom section: Flat Section

DASY4 Configuration:

- Probe: EX3DV4 - SN3995; ConvF(7.74, 7.74, 7.74); Calibrated: 09/05/14;
- Sensor-Surface: 4mm (Mechanical Surface Detection)
- Electronics: DAE4 Sn1435; Calibrated: 15/04/14
- Phantom: ELI v5.0 (30deg probe tilt); Type: QDOVA002AA; Serial: TP:xxxx
- ; SEMCAD X Version 14.6.10 (7331)

**SAR/d=15mm, Pin=250 mW, dist=10.0mm (ET-Probe) 2 2 2 2 2/Area Scan (61x71x1):** Interpolated grid: dx=1.500 mm, dy=1.500 mm

Maximum value of SAR (interpolated) = 12.2 W/kg

**SAR/d=15mm, Pin=250 mW, dist=10.0mm (ET-Probe) 2 2 2 2 2/Zoom Scan (5x5x7) (5x5x7)/Cube 0:** Measurement grid: dx=8mm, dy=8mm, dz=5mm

Reference Value = 84.52 V/m; Power Drift = 0.03 dB

Peak SAR (extrapolated) = 18.4 W/kg

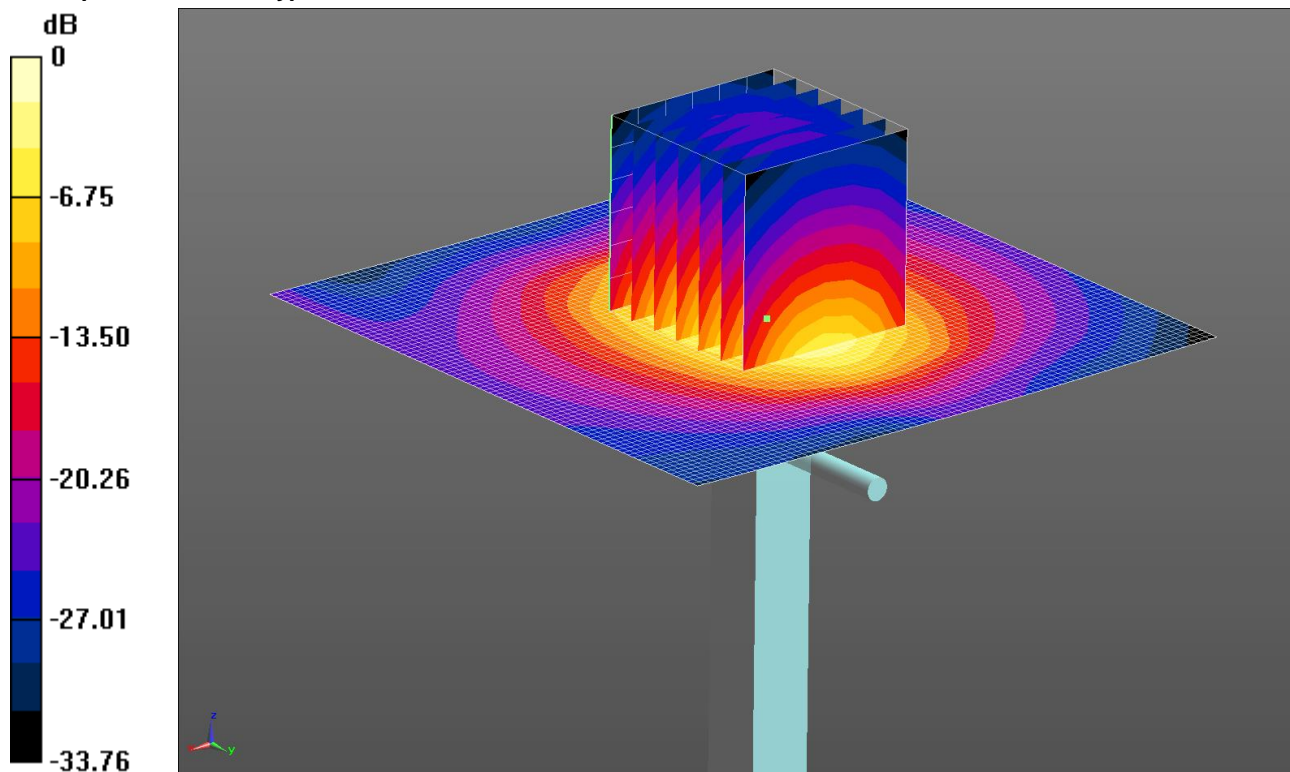
**SAR(1 g) = 9.99 W/kg; SAR(10 g) = 5.16 W/kg**

Maximum value of SAR (measured) = 11.2 W/kg

332: System Performance Check 2450MHz Body 21 07 14

Date: 21/7/2014

DUT: Dipole 2440 MHz; Type: D2440V2; Serial: D2440V2 - SN:701



0 dB = 14.5 W/kg = 11.62 dBW/kg

Communication System: UID 0, CW (0); Frequency: 2450 MHz; Duty Cycle: 1:1

Medium: 2450MHz MSL Medium parameters used:  $f = 2450 \text{ MHz}$ ;  $\sigma = 1.924 \text{ S/m}$ ;  $\epsilon_r = 50.85$ ;  $\rho = 1000 \text{ kg/m}^3$

Phantom section: Flat Section

DASY4 Configuration:

- Probe: EX3DV4 - SN3814; ConvF(7.01, 7.01, 7.01); Calibrated: 24/9/2013;

- Sensor-Surface: 4mm (Mechanical Surface Detection)

- Electronics: DAE4 Sn1438; Calibrated: 12/5/2014

- Phantom: ELI v5.0 (30deg probe tilt); Type: QDOVA002AA; Serial: TP:xxxx

- ; SEMCAD X Version 14.6.10 (7331)

**Configuration/d=10mm, Pin=250mW 2/Area Scan (81x81x1):** Interpolated grid:  $dx=1.200 \text{ mm}$ ,  $dy=1.200 \text{ mm}$

Maximum value of SAR (interpolated) = 14.5 W/kg

**Configuration/d=10mm, Pin=250mW 2/Zoom Scan (7x7x7) (7x7x7)/Cube 0:** Measurement grid:  $dx=5\text{mm}$ ,  $dy=5\text{mm}$ ,  $dz=5\text{mm}$

Reference Value = 86.05 V/m; Power Drift = -0.01 dB

Peak SAR (extrapolated) = 24.5 W/kg

**SAR(1 g) = 12.5 W/kg; SAR(10 g) = 5.92 W/kg**

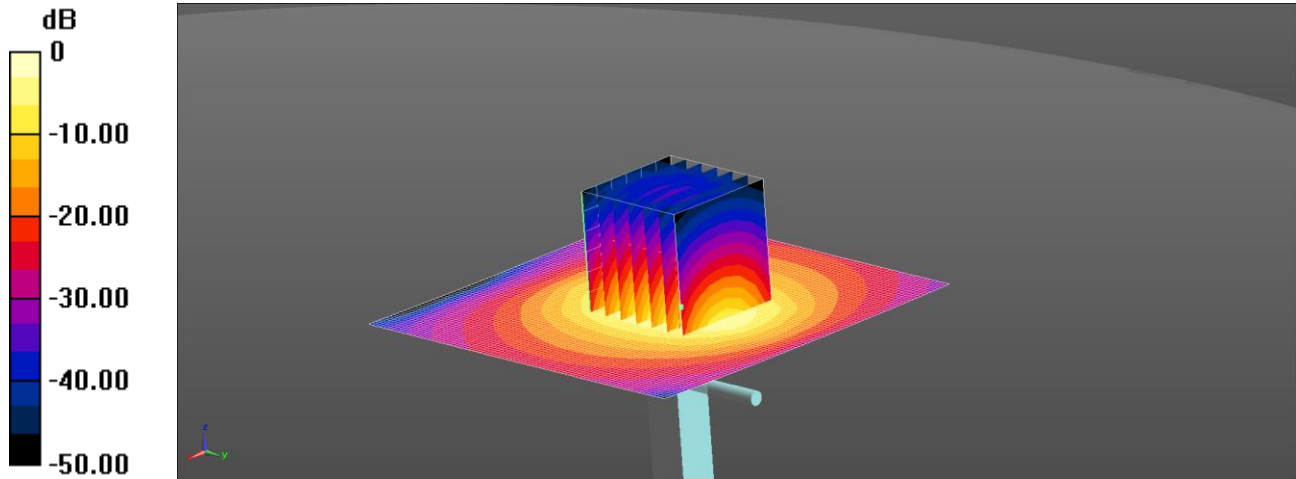
Maximum value of SAR (measured) = 14.4 W/kg



333: System Performance Check 2450MHz Body 06 08 14

Date: 06/08/14

DUT: Dipole 2440 MHz; Type: D2440V2; Serial: D2440V2 - SN:701



0 dB = 15.6 W/kg = 11.93 dBW/kg

Communication System: UID 0, CW (0); Frequency: 2450 MHz; Duty Cycle: 1:1

Medium: 2450 MHz MSL Medium parameters used:  $f = 2450$  MHz;  $\sigma = 2.016$  S/m;  $\epsilon_r = 53.446$ ;  $\rho = 1000$  kg/m<sup>3</sup>

Phantom section: Flat Section

DASY4 Configuration:

- Probe: EX3DV4 - SN3995; ConvF(7.24, 7.24, 7.24); Calibrated: 09/05/14;
- Sensor-Surface: 4mm (Mechanical Surface Detection)
- Electronics: DAE4 Sn1435; Calibrated: 15/04/14
- Phantom: ELI v5.0 (30deg probe tilt); Type: QDOVA002AA; Serial: TP:xxxx
- ; SEMCAD X Version 14.6.10 (7331)

**Configuration/d=10mm, Pin=250mW 2 2/Area Scan (81x81x1):** Interpolated grid: dx=1.200 mm, dy=1.200 mm

Maximum value of SAR (interpolated) = 15.6 W/kg

**Configuration/d=10mm, Pin=250mW 2 2/Zoom Scan (7x7x7) (7x7x7)/Cube 0:** Measurement grid: dx=5mm, dy=5mm, dz=5mm

Reference Value = 87.08 V/m; Power Drift = 0.01 dB

Peak SAR (extrapolated) = 26.4 W/kg

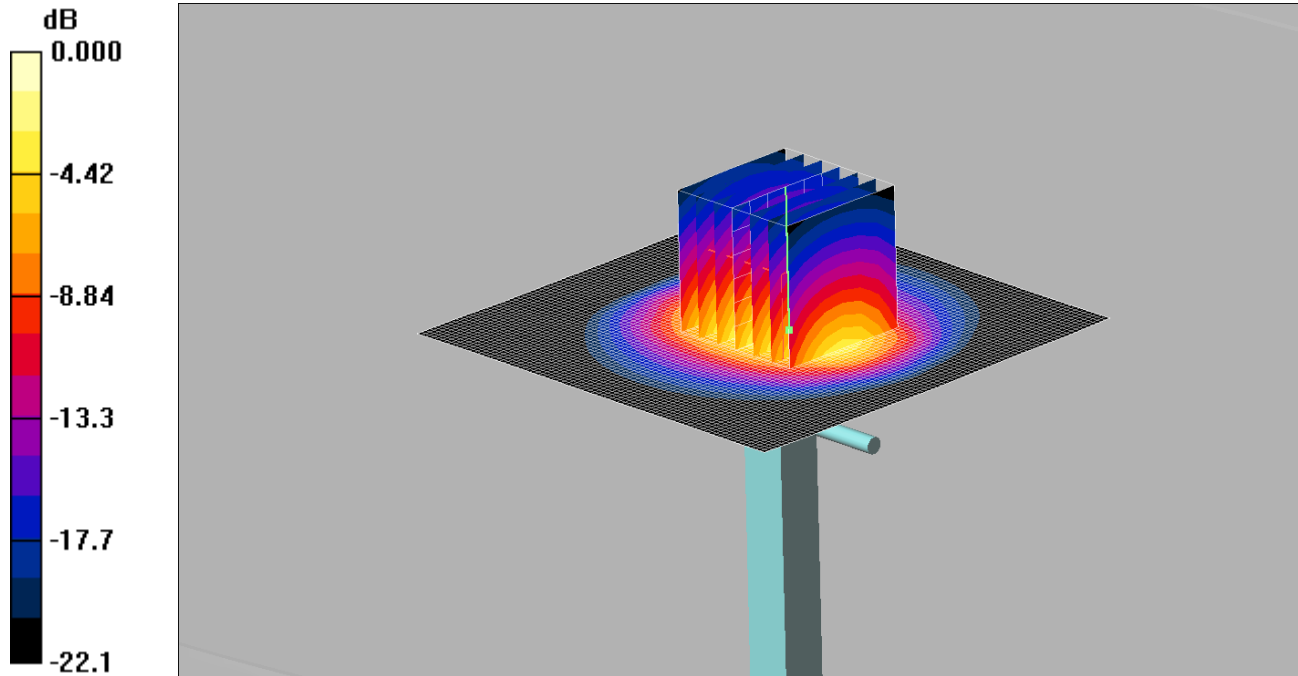
**SAR(1 g) = 13.2 W/kg; SAR(10 g) = 6.17 W/kg**

Maximum value of SAR (measured) = 15.2 W/kg

334: System Performance Check 2450MHz Body 04 09 14

Date: 04/09/2014

DUT: Dipole 2440 MHz; Type: D2440V2; Serial: D2440V2 - SN:701



0 dB = 15.0mW/g

Communication System: CW; Frequency: 2450 MHz; Duty Cycle: 1:1

Medium: 2450 MHz MSL Medium parameters used:  $f = 2450$  MHz;  $\sigma = 2.05$  mho/m;  $\epsilon_r = 50.6$ ;  $\rho = 1000$  kg/m<sup>3</sup>

Phantom section: Flat Section

DASY4 Configuration:

- Probe: ES3DV3 - SN3304; ConvF(4.24, 4.24, 4.24);

- Sensor-Surface: 4mm (Mechanical Surface Detection)

- Electronics: DAE3 Sn432; Calibrated: 20/08/2014

- Phantom: ELI v5.0; Type: QDOVA002AA; Serial: TP:xxxx

- Measurement SW: DASY4, V4.7 Build 80; Postprocessing SW: SEMCAD, V1.8 Build 186

d=10mm, Pin=250mW 2 2/Area Scan (81x81x1): Measurement grid: dx=12mm, dy=12mm

Maximum value of SAR (interpolated) = 15.5 mW/g

d=10mm, Pin=250mW 2 2/Zoom Scan (7x7x7) (7x7x7)/Cube 0: Measurement grid: dx=5mm, dy=5mm, dz=5mm

Reference Value = 87.2 V/m; Power Drift = -0.034 dB

Peak SAR (extrapolated) = 27.5 W/kg

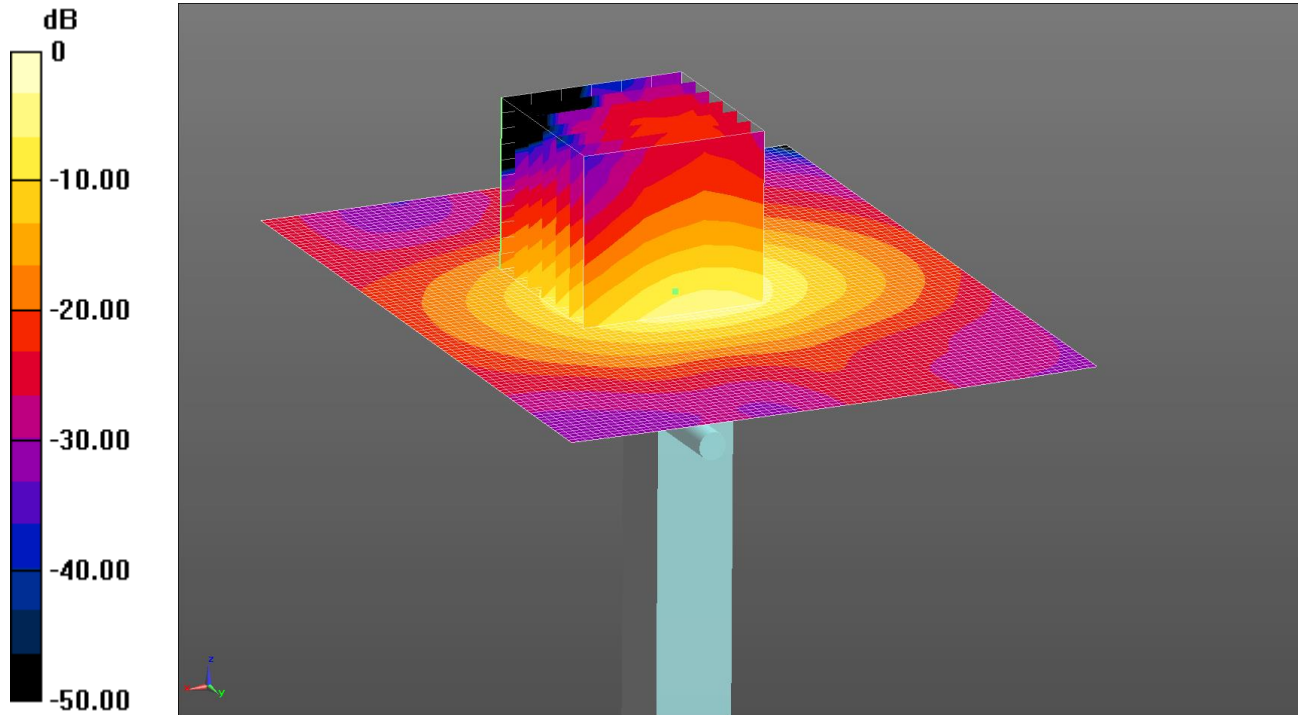
SAR(1 g) = 13.2 mW/g; SAR(10 g) = 6.08 mW/g

Maximum value of SAR (measured) = 15.0 mW/g

335: System Performance Check 5200 MHz Body 29 07 14

Date: 29/7/2014

DUT: 5GHz Dipole; Type: D5GHzV2; Serial: SN 1016



0 dB = 16.8 W/kg = 12.25 dBW/kg

Communication System: UID 0, CW (0); Frequency: 5500 MHz; Duty Cycle: 1:1

Medium: 5200/5500/5800 MHz MSL Medium parameters used:  $f = 5500$  MHz;  $\sigma = 5.881$  S/m;  $\epsilon_r = 48.094$ ;  $\rho = 1000$  kg/m<sup>3</sup>

Phantom section: Flat Section

DASY4 Configuration:

- Probe: EX3DV4 - SN3814; ConvF(3.89, 3.89, 3.89); Calibrated: 24/9/2013;

- Sensor-Surface: 2mm (Mechanical Surface Detection)

- Electronics: DAE4 Sn1438; Calibrated: 12/5/2014

- Phantom: ELI v5.0 (30deg probe tilt); Type: QDOVA002AA; Serial: TP:xxxx

- ; SEMCAD X Version 14.6.10 (7331)

**Configuration/d=10mm, Pin=100mW 2 2 /Area Scan (71x91x1):** Interpolated grid: dx=1.000 mm, dy=1.000 mm

Maximum value of SAR (interpolated) = 16.8 W/kg

**Configuration/d=10mm, Pin=100mW 2 2 /Zoom Scan (7x7x12) 2 2 2 (7x7x12)/Cube 0:** Measurement grid: dx=4mm, dy=4mm, dz=2mm

Reference Value = 41.79 V/m; Power Drift = -0.05 dB

Peak SAR (extrapolated) = 29.2 W/kg

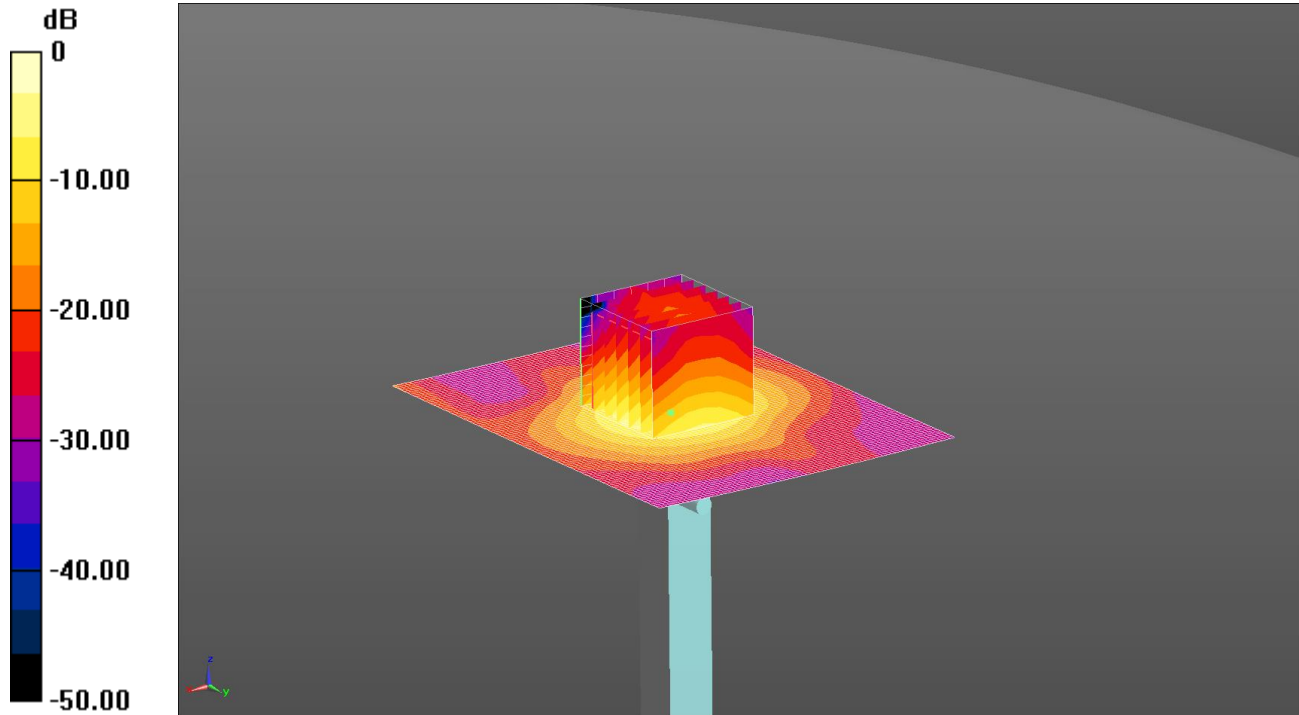
**SAR(1 g) = 8.27 W/kg; SAR(10 g) = 2.28 W/kg**

Maximum value of SAR (measured) = 16.8 W/kg

336: System Performance Check 5200 MHz Body 04 08 14

Date: 4/8/2014

DUT: 5GHz Dipole; Type: D5GHzV2; Serial: SN 1016



0 dB = 14.0 W/kg = 11.46 dBW/kg

Communication System: UID 0, CW; Frequency: 5200 MHz; Duty Cycle: 1:1

Medium: 5200/5500/5800 MHz MSL Medium parameters used:  $f = 5200$  MHz;  $\sigma = 5.298$  S/m;  $\epsilon_r = 47.912$ ;  $\rho = 1000$  kg/m<sup>3</sup>

Phantom section: Flat Section

DASY4 Configuration:

- Probe: EX3DV4 - SN3814; ConvF(4.44, 4.44, 4.44); Calibrated: 24/9/2013;

- Sensor-Surface: 2mm (Mechanical Surface Detection)

- Electronics: DAE4 Sn1438; Calibrated: 12/5/2014

- Phantom: ELI v5.0 (30deg probe tilt); Type: QDOVA002AA; Serial: TP:xxxx

- ; SEMCAD X Version 14.6.10 (7331)

**Configuration/d=10mm, Pin=100mW 2 2/Area Scan (71x91x1):** Interpolated grid: dx=1.000 mm, dy=1.000 mm

Maximum value of SAR (interpolated) = 13.6 W/kg

**Configuration/d=10mm, Pin=100mW 2 2/Zoom Scan (7x7x12) (7x7x12)/Cube 0:** Measurement grid: dx=4mm, dy=4mm, dz=2mm

Reference Value = 38.95 V/m; Power Drift = -0.15 dB

Peak SAR (extrapolated) = 25.0 W/kg

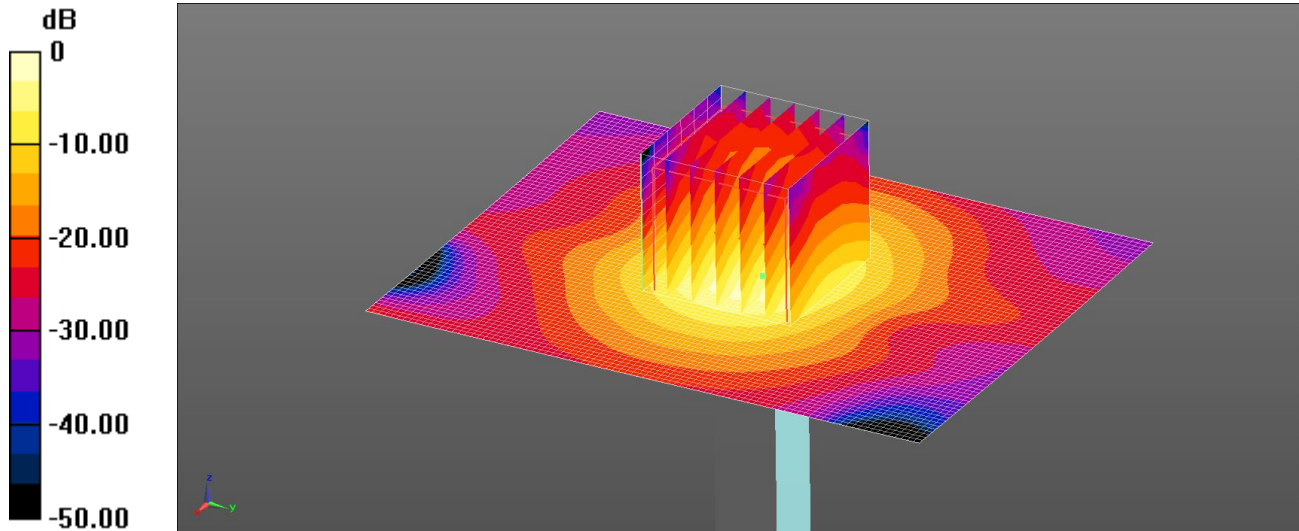
**SAR(1 g) = 7.03 W/kg; SAR(10 g) = 2.06 W/kg**

Maximum value of SAR (measured) = 14.0 W/kg

337: System Performance Check 5200 MHz Body 01 09 14

Date: 1/9/2014

DUT: 5GHz Dipole; Type: D5GHzV2; Serial: SN 1016



0 dB = 14.4 W/kg = 11.58 dBW/kg

Communication System: UID 0, CW (0); Frequency: 5200 MHz; Duty Cycle: 1:1

Medium: 5200/5500/5800 MHz MSL Medium parameters used: f = 5200 MHz;  $\sigma = 5.135$  S/m;  $\epsilon_r = 49.383$ ;  $\rho = 1000$  kg/m<sup>3</sup>

Phantom section: Flat Section

DASY4 Configuration:

- Probe: EX3DV4 - SN3814; ConvF(4.44, 4.44, 4.44); Calibrated: 24/9/2013;
- Sensor-Surface: 2mm (Mechanical Surface Detection)
- Electronics: DAE4 Sn1438; Calibrated: 12/5/2014
- Phantom: ELI v5.0 (30deg probe tilt); Type: QDOVA002AA; Serial: TP:xxxx
- ; SEMCAD X Version 14.6.10 (7331)

Configuration/d=10mm, Pin=100mW 2 2 2/Area Scan (71x91x1): Interpolated grid: dx=1.000 mm, dy=1.000 mm

Maximum value of SAR (interpolated) = 15.1 W/kg

Configuration/d=10mm, Pin=100mW 2 2 2/Zoom Scan (7x7x12) (7x7x12)/Cube 0: Measurement grid: dx=4mm, dy=4mm, dz=2mm

Reference Value = 41.25 V/m; Power Drift = -0.31 dB

Peak SAR (extrapolated) = 24.8 W/kg

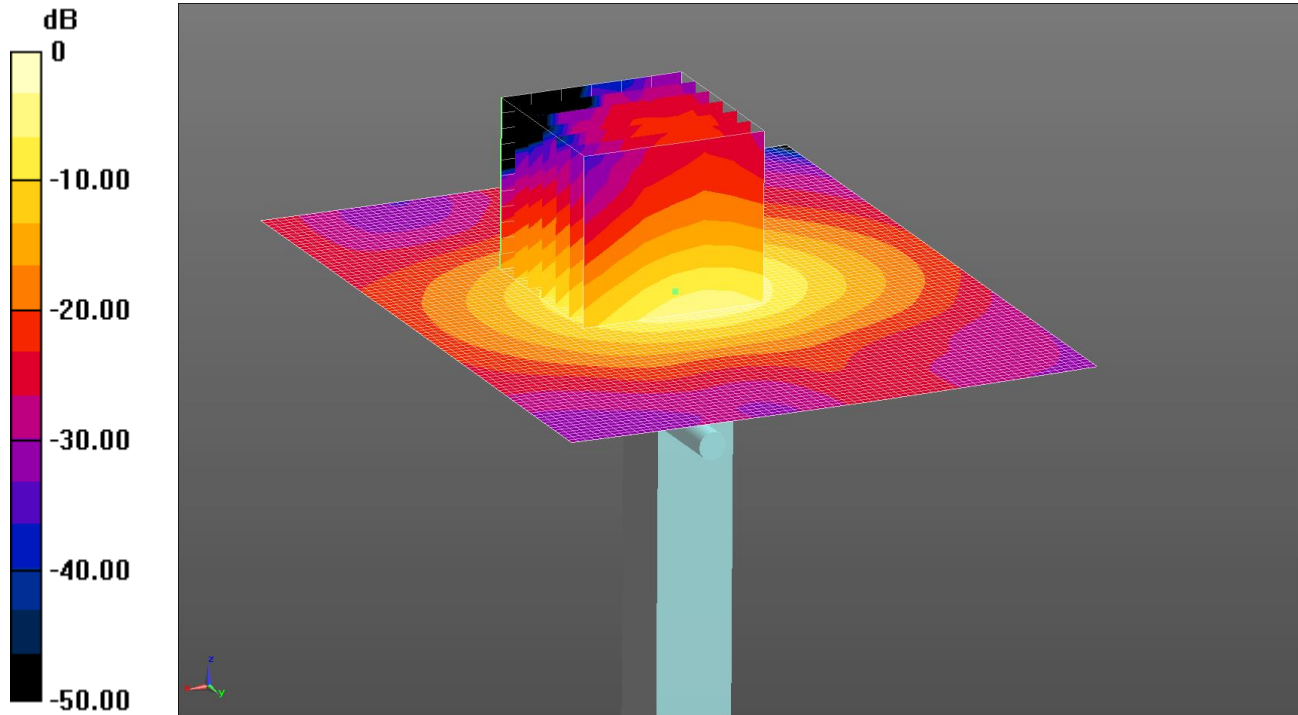
SAR(1 g) = 7.17 W/kg; SAR(10 g) = 2.1 W/kg

Maximum value of SAR (measured) = 14.4 W/kg

338: System Performance Check 5500 MHz Body 29 07 14

Date: 29/7/2014

DUT: 5GHz Dipole; Type: D5GHzV2; Serial: SN 1016



0 dB = 16.8 W/kg = 12.25 dBW/kg

Communication System: UID 0, CW (0); Frequency: 5500 MHz; Duty Cycle: 1:1

Medium: 5200/5500/5800 MHz MSL Medium parameters used:  $f = 5500$  MHz;  $\sigma = 5.881$  S/m;  $\epsilon_r = 48.094$ ;  $\rho = 1000$  kg/m<sup>3</sup>

Phantom section: Flat Section

DASY4 Configuration:

- Probe: EX3DV4 - SN3814; ConvF(3.89, 3.89, 3.89); Calibrated: 24/9/2013;

- Sensor-Surface: 2mm (Mechanical Surface Detection)

- Electronics: DAE4 Sn1438; Calibrated: 12/5/2014

- Phantom: ELI v5.0 (30deg probe tilt); Type: QDOVA002AA; Serial: TP:xxxx

- ; SEMCAD X Version 14.6.10 (7331)

**Configuration/d=10mm, Pin=100mW 2 2 /Area Scan (71x91x1):** Interpolated grid: dx=1.000 mm, dy=1.000 mm

Maximum value of SAR (interpolated) = 16.8 W/kg

**Configuration/d=10mm, Pin=100mW 2 2 /Zoom Scan (7x7x12) 2 2 2 (7x7x12)/Cube 0:** Measurement grid: dx=4mm, dy=4mm, dz=2mm

Reference Value = 41.79 V/m; Power Drift = -0.05 dB

Peak SAR (extrapolated) = 29.2 W/kg

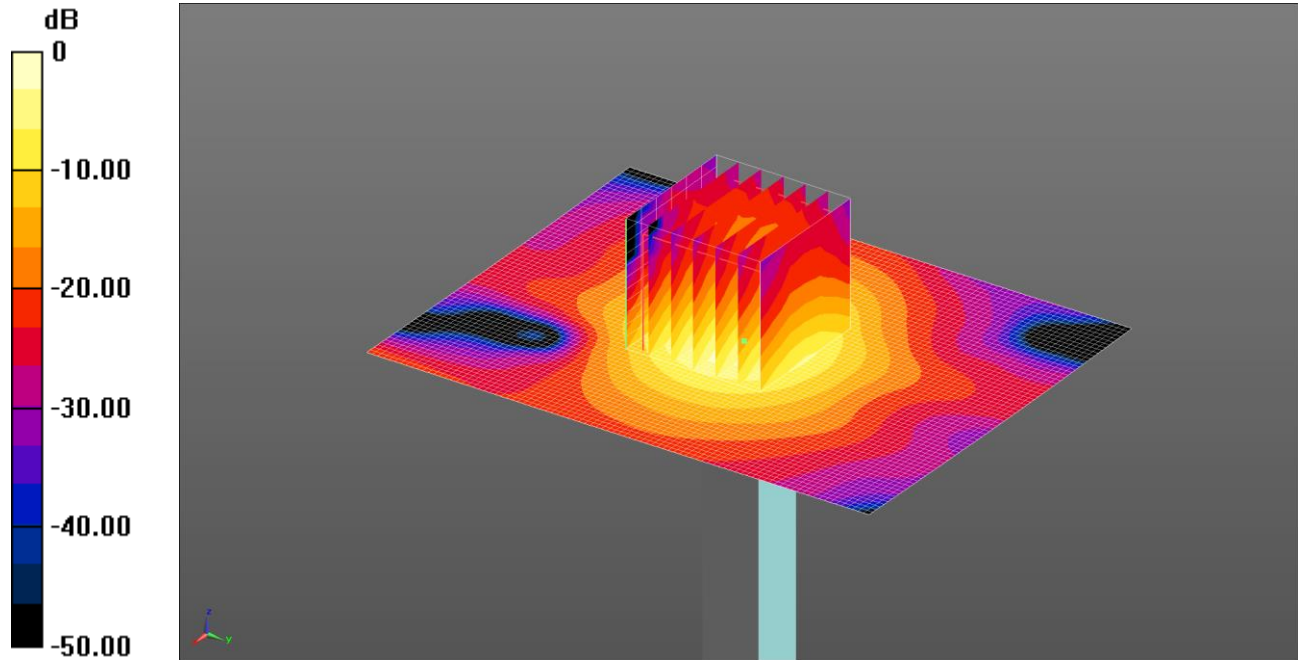
**SAR(1 g) = 8.27 W/kg; SAR(10 g) = 2.28 W/kg**

Maximum value of SAR (measured) = 16.8 W/kg

339: System Performance Check 5500 MHz Body 04 08 14

Date: 04/08/2014

DUT: 5GHz Dipole; Type: D5GHzV2; Serial: SN 1016



0 dB = 16.0 W/kg = 12.04 dBW/kg

Communication System: UID 0, CW (0); Frequency: 5500 MHz; Duty Cycle: 1:1

Medium: 5200/5500/5800 MHz MSL Medium parameters used: f = 5500 MHz;  $\sigma = 5.687$  S/m;  $\epsilon_r = 46.774$ ;  $\rho = 1000$  kg/m<sup>3</sup>

Phantom section: Flat Section

DASY4 Configuration:

- Probe: EX3DV4 - SN3814; ConvF(3.89, 3.89, 3.89); Calibrated: 24/09/2013;
- Sensor-Surface: 2mm (Mechanical Surface Detection)
- Electronics: DAE4 Sn1438; Calibrated: 12/05/2014
- Phantom: ELI v5.0 (30deg probe tilt); Type: QDOVA002AA; Serial: TP:xxxx
- ; SEMCAD X Version 14.6.10 (7164)

**Configuration/d=10mm, Pin=100mW 2 2 /Area Scan (71x91x1):** Interpolated grid: dx=1.000 mm, dy=1.000 mm

Maximum value of SAR (interpolated) = 16.3 W/kg

**Configuration/d=10mm, Pin=100mW 2 2 /Zoom Scan (7x7x12) (7x7x12)/Cube 0:** Measurement grid: dx=4mm, dy=4mm, dz=2mm

Reference Value = 41.307 V/m; Power Drift = -0.41 dB

Peak SAR (extrapolated) = 28.5 W/kg

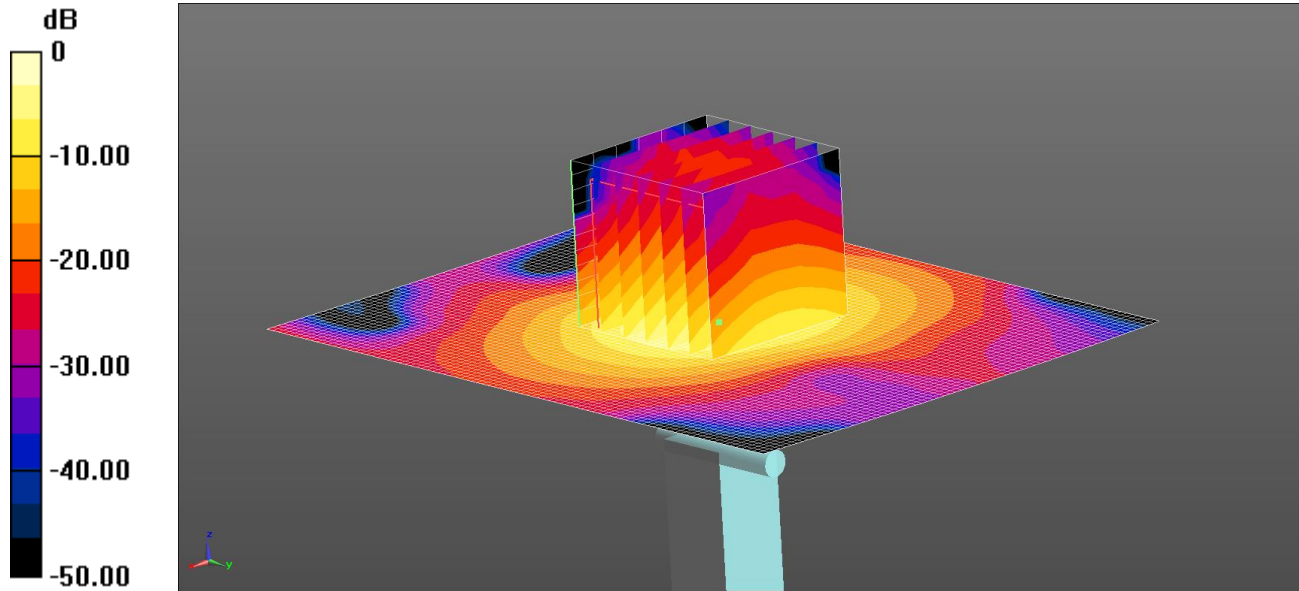
**SAR(1 g) = 7.83 W/kg; SAR(10 g) = 2.28 W/kg**

Maximum value of SAR (measured) = 16.0 W/kg

340: System Performance Check 5500 MHz Body 11 08 14

Date: 11/8/2014

DUT: 5GHz Dipole; Type: D5GHzV2; Serial: SN 1016



0 dB = 16.0 W/kg = 12.04 dBW/kg

Communication System: UID 0, CW (0); Frequency: 5500 MHz; Duty Cycle: 1:1

Medium: 5200/5500/5800 MHz MSL Medium parameters used:  $f = 5500$  MHz;  $\sigma = 5.668$  S/m;  $\epsilon_r = 47.052$ ;  $\rho = 1000$  kg/m<sup>3</sup>

Phantom section: Flat Section

DASY4 Configuration:

- Probe: EX3DV4 - SN3814; ConvF(3.89, 3.89, 3.89); Calibrated: 24/9/2013;

- Sensor-Surface: 2mm (Mechanical Surface Detection)

- Electronics: DAE4 Sn1438; Calibrated: 12/5/2014

- Phantom: ELI v5.0 (30deg probe tilt); Type: QDOVA002AA; Serial: TP:xxxx

- ; SEMCAD X Version 14.6.10 (7331)

**Configuration/d=10mm, Pin=100mW 2 2/Area Scan (71x91x1):** Interpolated grid: dx=1.000 mm, dy=1.000 mm

Maximum value of SAR (interpolated) = 16.3 W/kg

**Configuration/d=10mm, Pin=100mW 2 2/Zoom Scan (7x7x12) (7x7x12)/Cube 0:** Measurement grid: dx=4mm, dy=4mm, dz=2mm

Reference Value = 40.13 V/m; Power Drift = -0.24 dB

Peak SAR (extrapolated) = 28.3 W/kg

**SAR(1 g) = 7.74 W/kg; SAR(10 g) = 2.22 W/kg**

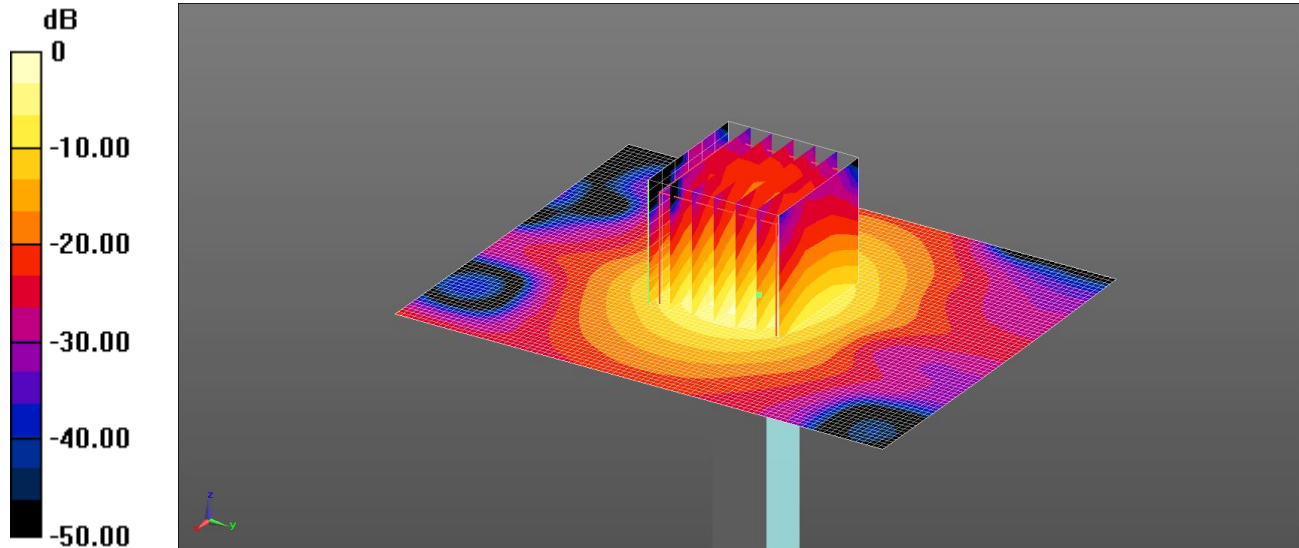
Maximum value of SAR (measured) = 16.0 W/kg



341: System Performance Check 5500 MHz Body 14 08 14

Date: 14/8/2014

DUT: 5GHz Dipole; Type: D5GHzV2; Serial: SN 1016



0 dB = 15.2 W/kg = 11.82 dBW/kg

Communication System: UID 0, CW (0); Frequency: 5500 MHz; Duty Cycle: 1:1

Medium: 5200/5500/5800 MHz MSL Medium parameters used:  $f = 5500$  MHz;  $\sigma = 5.689$  S/m;  $\epsilon_r = 46.938$ ;  $\rho = 1000$  kg/m<sup>3</sup>

Phantom section: Flat Section

DASY4 Configuration:

- Probe: EX3DV4 - SN3814; ConvF(3.89, 3.89, 3.89); Calibrated: 24/9/2013;
- Sensor-Surface: 2mm (Mechanical Surface Detection)
- Electronics: DAE4 Sn1438; Calibrated: 12/5/2014
- Phantom: ELI v5.0 (30deg probe tilt); Type: QDOVA002AA; Serial: TP:xxxx
- ; SEMCAD X Version 14.6.10 (7331)

**Configuration/d=10mm, Pin=100mW/Area Scan (71x91x1):** Interpolated grid: dx=1.000 mm, dy=1.000 mm

Maximum value of SAR (interpolated) = 16.0 W/kg

**Configuration/d=10mm, Pin=100mW/Zoom Scan (7x7x12) (7x7x12)/Cube 0:** Measurement grid: dx=4mm, dy=4mm, dz=2mm

Reference Value = 40.47 V/m; Power Drift = -0.17 dB

Peak SAR (extrapolated) = 26.2 W/kg

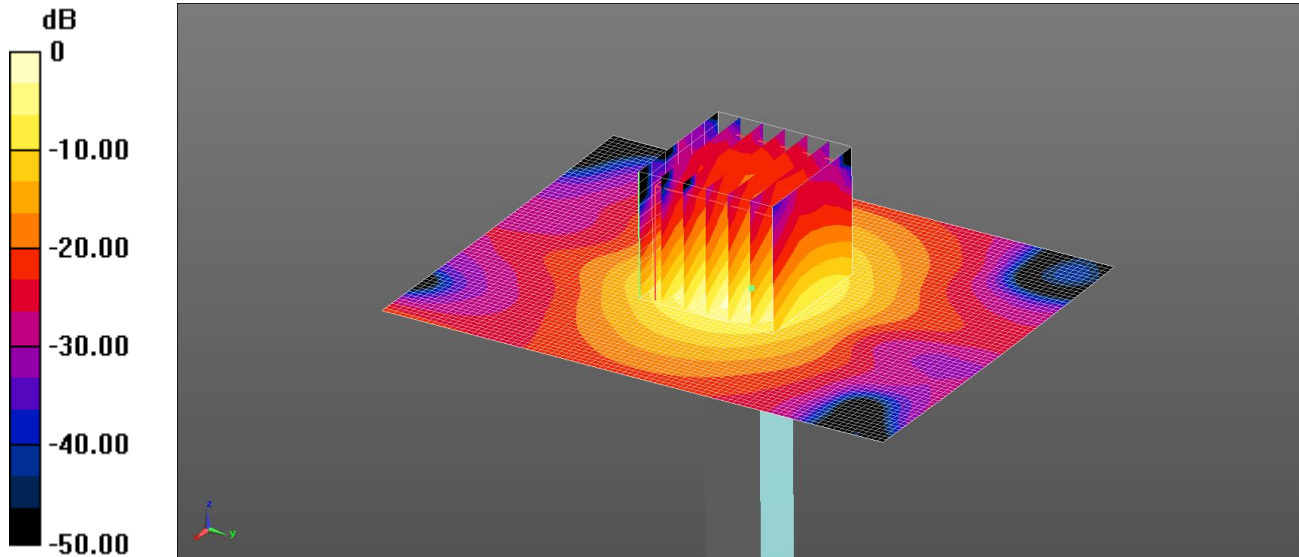
**SAR(1 g) = 7.53 W/kg; SAR(10 g) = 2.21 W/kg**

Maximum value of SAR (measured) = 15.2 W/kg

342: System Performance Check 5500 MHz Body 01 09 14

Date: 1/9/2014

DUT: 5GHz Dipole; Type: D5GHzV2; Serial: SN 1016



0 dB = 15.8 W/kg = 11.99 dBW/kg

Communication System: UID 0, CW (0); Frequency: 5500 MHz; Duty Cycle: 1:1

Medium: 5200/5500/5800 MHz MSL Medium parameters used: f = 5500 MHz;  $\sigma = 5.611$  S/m;  $\epsilon_r = 48.809$ ;  $\rho = 1000$  kg/m<sup>3</sup>

Phantom section: Flat Section

DASY4 Configuration:

- Probe: EX3DV4 - SN3814; ConvF(3.89, 3.89, 3.89); Calibrated: 24/9/2013;
- Sensor-Surface: 2mm (Mechanical Surface Detection)
- Electronics: DAE4 Sn1438; Calibrated: 12/5/2014
- Phantom: ELI v5.0 (30deg probe tilt); Type: QDOVA002AA; Serial: TP:xxxx
- ; SEMCAD X Version 14.6.10 (7331)

Configuration/d=10mm, Pin=100mW 2/Area Scan (71x91x1): Interpolated grid: dx=1.000 mm, dy=1.000 mm

Maximum value of SAR (interpolated) = 16.4 W/kg

Configuration/d=10mm, Pin=100mW 2/Zoom Scan (7x7x12) (7x7x12)/Cube 0: Measurement grid: dx=4mm, dy=4mm, dz=2mm

Reference Value = 41.16 V/m; Power Drift = -0.40 dB

Peak SAR (extrapolated) = 29.3 W/kg

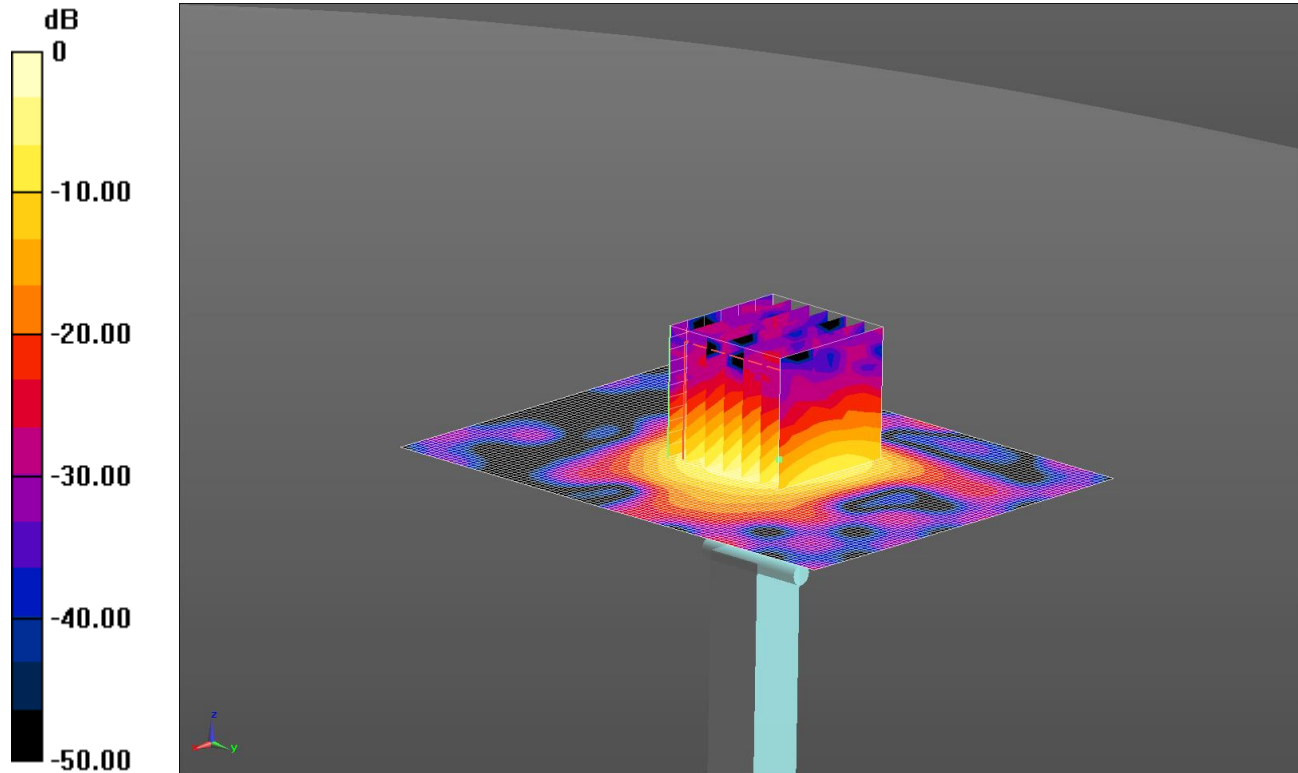
SAR(1 g) = 7.69 W/kg; SAR(10 g) = 2.23 W/kg

Maximum value of SAR (measured) = 15.8 W/kg

343: System Performance Check 5800 MHz Body 30 07 14

Date: 30/07/2014

DUT: 5GHz Dipole; Type: D5GHzV2; Serial: SN 1016



0 dB = 15.3 W/kg = 11.85 dBW/kg

Communication System: UID 0, CW (0); Frequency: 5800 MHz; Duty Cycle: 1:1

Medium: 5200/5500/5800 MHz MSL Medium parameters used:  $f = 5800$  MHz;  $\sigma = 6.114$  S/m;  $\epsilon_r = 46.386$ ;  $\rho = 1000$  kg/m<sup>3</sup>

Phantom section: Flat Section

DASY4 Configuration:

- Probe: EX3DV4 - SN3994; ConvF(4.27, 4.27, 4.27); Calibrated: 07/05/2014;
- Sensor-Surface: 2mm (Mechanical Surface Detection)
- Electronics: DAE3 Sn431; Calibrated: 18/11/2013
- Phantom: ELI v5.0; Type: QDOVA002AA; Serial: TP:xxxx
- ; SEMCAD X Version 14.6.10 (7164)

**Configuration/d=10mm, Pin=100mW 2 2 /Area Scan (71x91x1):** Interpolated grid: dx=1.000 mm, dy=1.000 mm

Maximum value of SAR (interpolated) = 16.8 W/kg

**Configuration/d=10mm, Pin=100mW 2 2 /Zoom Scan (7x7x12) 2 2 (7x7x12)/Cube 0:** Measurement grid: dx=4mm, dy=4mm, dz=2mm

Reference Value = 33.523 V/m; Power Drift = 0.18 dB

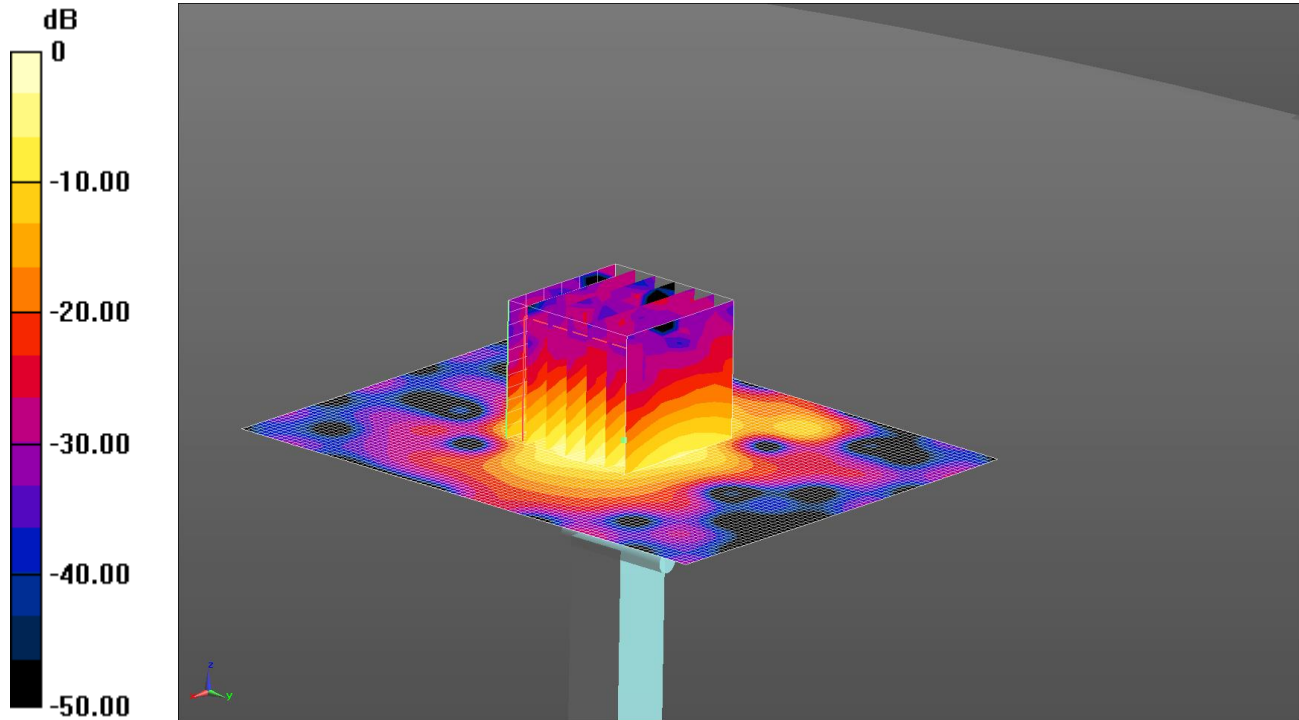
Peak SAR (extrapolated) = 32.2 W/kg

**SAR(1 g) = 7.15 W/kg; SAR(10 g) = 1.98 W/kg**

Maximum value of SAR (measured) = 15.3 W/kg

344: System Performance Check 5800 MHz Body 04 08 14  
04/08/2014

**DUT: 5GHz Dipole; Type: D5GHzV2; Serial: SN 1016**



0 dB = 16.0 W/kg = 12.04 dBW/kg

Communication System: UID 0, CW (0); Frequency: 5800 MHz; Duty Cycle: 1:1

Medium: 5200/5500/5800 MHz MSL Medium parameters used: f = 5800 MHz;  $\sigma = 5.966 \text{ S/m}$ ;  $\epsilon_r = 46.883$ ;  $\rho = 1000 \text{ kg/m}^3$

Phantom section: Flat Section

DASY4 Configuration:

- Probe: EX3DV4 - SN3994; ConvF(4.27, 4.27, 4.27); Calibrated: 07/05/2014;
- Sensor-Surface: 2mm (Mechanical Surface Detection)
- Electronics: DAE3 Sn431; Calibrated: 18/11/2013
- Phantom: ELI v5.0; Type: QDOVA002AA; Serial: TP:xxxx
- ; SEMCAD X Version 14.6.10 (7164)

**Configuration/d=10mm, Pin=100mW 2 2 2 2/Area Scan (71x91x1):** Interpolated grid: dx=1.000 mm, dy=1.000 mm  
Maximum value of SAR (interpolated) = 18.6 W/kg

**Configuration/d=10mm, Pin=100mW 2 2 2 2/Zoom Scan (7x7x12) 2 2 (7x7x12)/Cube 0:** Measurement grid: dx=4mm, dy=4mm, dz=2mm

Reference Value = 36.373 V/m; Power Drift = 0.11 dB

Peak SAR (extrapolated) = 34.8 W/kg

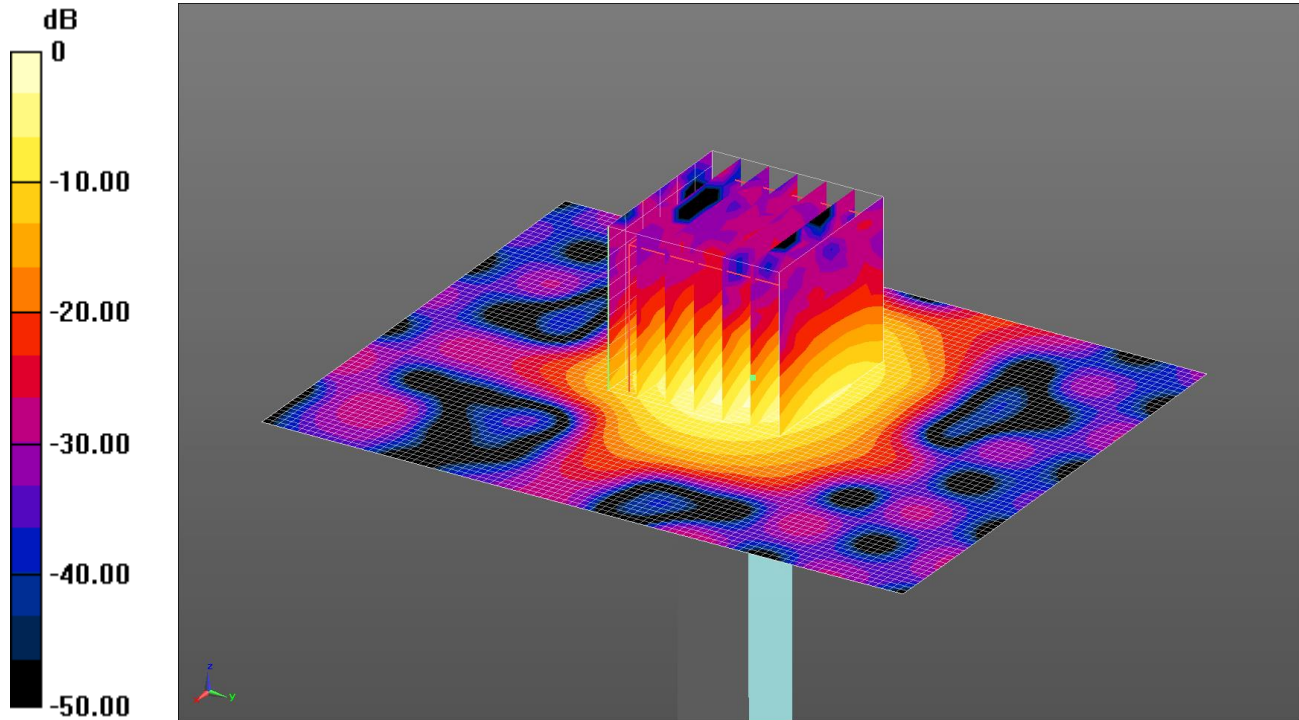
**SAR(1 g) = 7.6 W/kg; SAR(10 g) = 2.03 W/kg**

Maximum value of SAR (measured) = 16.0 W/kg

345: System Performance Check 5800 MHz Body 07 08 14

Date: 07/08/2014

DUT: 5GHz Dipole; Type: D5GHzV2; Serial: SN 1016



0 dB = 15.3 W/kg = 11.85 dBW/kg

Communication System: UID 0, CW (0); Frequency: 5800 MHz; Duty Cycle: 1:1

Medium: 5200/5500/5800 MHz MSL Medium parameters used: f = 5800 MHz;  $\sigma = 6.241 \text{ S/m}$ ;  $\epsilon_r = 46.558$ ;  $\rho = 1000 \text{ kg/m}^3$

Phantom section: Flat Section

DASY4 Configuration:

- Probe: EX3DV4 - SN3994; ConvF(4.27, 4.27, 4.27); Calibrated: 07/05/2014;
- Sensor-Surface: 2mm (Mechanical Surface Detection)
- Electronics: DAE3 Sn431; Calibrated: 18/11/2013
- Phantom: ELI v5.0; Type: QDOVA002AA; Serial: TP:xxxx
- ; SEMCAD X Version 14.6.10 (7164)

**Configuration/d=10mm, Pin=100mW 2 2 2 2/Area Scan (71x91x1):** Interpolated grid: dx=1.000 mm, dy=1.000 mm

Maximum value of SAR (interpolated) = 16.8 W/kg

**Configuration/d=10mm, Pin=100mW 2 2 2 2/Zoom Scan (7x7x12) 2 2 (7x7x12)/Cube 0:** Measurement grid: dx=4mm, dy=4mm, dz=2mm

Reference Value = 29.073 V/m; Power Drift = 0.20 dB

Peak SAR (extrapolated) = 33.6 W/kg

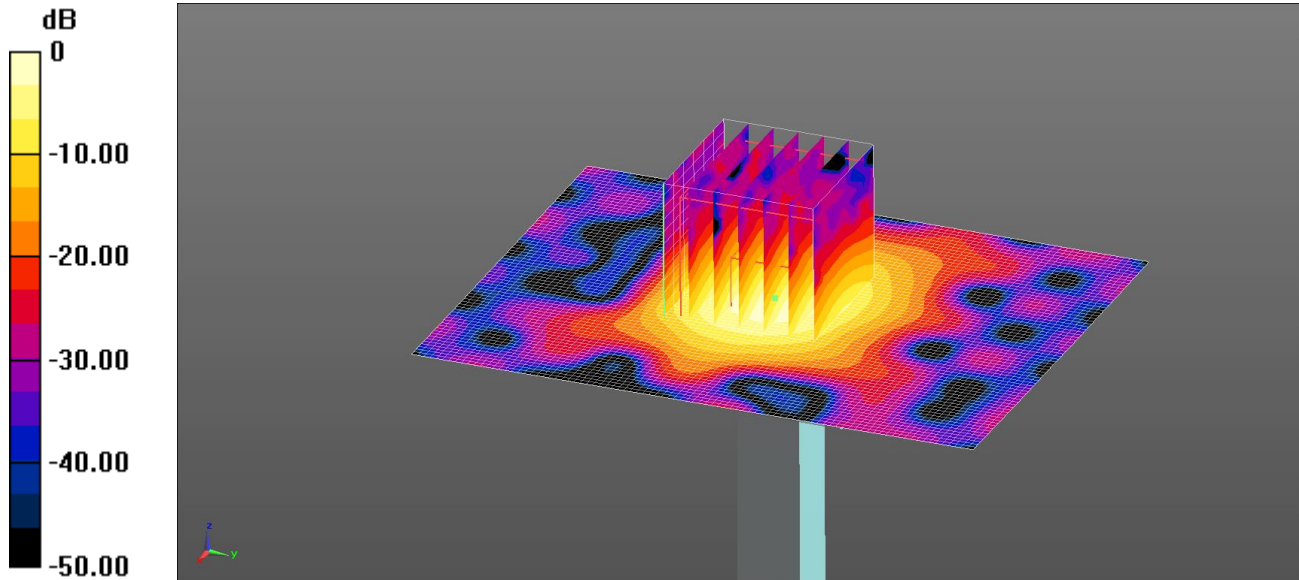
**SAR(1 g) = 7.25 W/kg; SAR(10 g) = 1.99 W/kg**

Maximum value of SAR (measured) = 15.3 W/kg

346: System Performance Check 5800 MHz Body 01 09 14

Date: 1/9/2014

DUT: 5GHz Dipole; Type: D5GHzV2; Serial: SN 1016



0 dB = 15.9 W/kg = 12.01 dBW/kg

Communication System: UID 0, CW (0); Frequency: 5800 MHz; Duty Cycle: 1:1

Medium: 5200/5500/5800 MHz MSL Medium parameters used:  $f = 5800$  MHz;  $\sigma = 6.203$  S/m;  $\epsilon_r = 47.528$ ;  $\rho = 1000$  kg/m<sup>3</sup>

Phantom section: Flat Section

DASY4 Configuration:

- Probe: EX3DV4 - SN3994; ConvF(4.27, 4.27, 4.27); Calibrated: 7/5/2014;
- Sensor-Surface: 2mm (Mechanical Surface Detection)
- Electronics: DAE3 Sn431; Calibrated: 18/11/2013
- Phantom: ELI v5.0; Type: QDOVA002AA; Serial: TP:xxxx
- ; SEMCAD X Version 14.6.10 (7331)

Configuration/d=10mm, Pin=100mW 2 2/Area Scan (71x91x1): Interpolated grid: dx=1.000 mm, dy=1.000 mm

Maximum value of SAR (interpolated) = 16.9 W/kg

Configuration/d=10mm, Pin=100mW 2 2/Zoom Scan (7x7x12) 2 2 (7x7x12)/Cube 0: Measurement grid: dx=4mm, dy=4mm, dz=2mm

Reference Value = 34.70 V/m; Power Drift = 0.09 dB

Peak SAR (extrapolated) = 33.8 W/kg

SAR(1 g) = 7.4 W/kg; SAR(10 g) = 2.04 W/kg

Maximum value of SAR (measured) = 15.9 W/kg