



**HAC T-COIL SIGNAL TEST REPORT**

**FCC 47 CFR § 20.19  
ANSI C63.19-2019**

*For*  
**SMARTPHONE**

**FCC ID: BCG-E8685A  
Model Name: A3295**

**Report Number: 14982480-S2V1  
Issue Date: 8/21/2024**

*Prepared for*  
**APPLE INC.  
1 APPLE PARK WAY  
CUPERTINO, CA 95014-2084**

*Prepared by*  
**UL VERIFICATION SERVICES INC.  
47173 BENICIA STREET  
FREMONT, CA 94538, U.S.A.  
TEL: (510) 319-4000  
FAX: (510) 661-0888**



CERT #0751.05

Revision History

Rev.	Date	Revisions	Revised By
V1	8/21/2024	Initial Issue	--

# Table of Contents

- 1. Attestation of Test Results .....4**
- 2. Test Methodology .....5**
- 3. Facilities and Accreditation .....5**
- 4. Test Equipment and Uncertainty.....6**
  - 4.1. *Test Equipment* .....6
  - 4.1.1. *Base Station Simulator Software and Firmware* .....7
  - 4.2. *Measurement Uncertainty* .....8
- 5. Test Procedures for all Technologies.....9**
  - 5.1. *Test Procedure for T-Coil signal per ANSI C63.19-2019, §6* .....9
  - 5.2. *Reference Input Levels per ANSI C63.19-2019, §6* .....11
  - 5.3. *Over the Top (OTT)* .....12
- 6. Calibrations & Gain Measurements .....14**
  - 6.1. *Calibration of AM1DVx Probe*.....14
    - 6.1.1. *Calibration Setup*.....14
    - 6.1.2. *Sensor Angle Alignment*.....14
    - 6.1.3. *System Response Calibration*.....14
  - 6.2. *AMMI Audio Output Calibration* .....14
  - 6.3. *Codec / System Delay Measurements* .....15
  - 6.4. *Compute Gain Settings* .....15
  - 6.5. *Over the Top (OTT)* .....16
- 7. T-coil Measurement Criteria.....17**
  - 7.1. *Frequency Response* .....17
  - 7.2. *Coupling Mode Requirements*.....18
  - 7.3. *Desired ABM Signal and Undesired ABM Field Requirements*.....19
    - 7.3.1. *Non-2G GSM Operating modes*.....19
    - 7.3.2. *2G GSM Operating modes*.....19
- 8. Device Under Test.....20**
  - 8.1. *Air Interfaces and Operating Mode* .....20
- 9. Investigations (Antenna, Codec, & Air Interface) .....22**
  - 9.1. *CMRS* .....24
    - 9.1.1. *Antenna Investigation*.....24
    - 9.1.2. *Codec Investigation*.....25
    - 9.1.3. *Air Interface Investigation*.....27
  - 9.2. *OTT Application*.....29
    - 9.2.1. *Codec Investigation*.....29
- 10. HAC (T-coil) Test Results.....30**
  - 10.1. *Worst Case T-Coil Test Plot(s)*.....33
- Appendix.....35**
  - Appendix A: T-Coil Setup Photo* .....35
  - Appendix B: T-Coil Test Plots* .....35
  - Appendix C: T-Coil Probe Certificates* .....35

### 1. Attestation of Test Results



Applicant Name	APPLE, INC.
FCC ID	BCG-E8685A
Model Name	A3295
Applicable Standards	FCC 47 CFR § 20.19 ANSI C63.19-2019
Date Tested	6/20/2024 to 8/20/2024
Test Results	Pass

UL Verification Services Inc. assessed the above equipment in accordance with the requirements set forth in the above standards. The test results show that the equipment assessed can demonstrate compliance with the requirements as documented in this report.

This report contains data provided by the customer which can impact the validity of results. UL Verification Services Inc. is only responsible for the validity of results after the integration of the data provided by the customer.

The results documented in this report apply only to the tested sample, under the conditions and modes of operation as described herein. It is the manufacturer's responsibility to assure that additional production units of this model are manufactured with identical electrical and mechanical components. All samples assessed were in good operating condition throughout the entire test program. Measurement Uncertainties are published for informational purposes only and were not considered unless noted otherwise.

This document may not be altered or revised in any way unless done so by UL Verification Services Inc. and all revisions are noted in the revisions section. Any alteration of this document not conducted by UL Verification Services Inc. will constitute fraud and shall nullify the document. This report must not be used by the client to claim product certification, approval, or endorsement by A2LA, NIST, or any agency of the U.S. Government, or any agency of the U.S. government.

Approved & Released By:  	Prepared By:  
Devin Chang Senior Laboratory Engineer UL Verification Services Inc.	Coltyce Sanders Staff Laboratory Engineer UL Verification Services Inc.

## 2. Test Methodology

The tests documented in this report were performed in accordance with ANSI C63.19-2019 Methods of Measurement of Compatibility Between Wireless Communications Devices and Hearing Aids and FCC published procedure:

KDB 285076 D01 HAC Guidance v06r04  
 KDB 285076 D02 T-Coil testing for CMRS IP v04  
 KDB 285076 D03 HAC FAQ v01r06

In addition to the above, the following guidance was used:

TCB workshop updates:

- TCB Workshop October 2022; Publication Update & Administrative Notes (Publication Update: 285076 D01 & D04)
- TCB Workshop October 2022; Federal Communications Commission Hearing Aid Compatibility Updates
- TCB Workshop April 2023; Publication Update & Administrative Notes (Publications Since Oct Workshop: 285076 HAC Update)
- TCB Workshop October 2023; Publication Update & Administrative Notes (Publication Update: 285076 09/29/2023: HAC Guidance blanket)
- TCB Workshop April 2024; HAC Updates (Handset Configuration)

## 3. Facilities and Accreditation

The test sites and measurement facilities used to collect data are located at

47266 Benicia Street
SAR Lab 11

UL Verification Services Inc. is accredited by A2LA, Certificate Number 0751.05

The Test Lab Conformity Assessment Body Identifier (CABID)

Location	CABID	Company Number
47173 Benicia Street, Fremont, CA, 94538 UNITED STATES	US0104	2324A
47266 Benicia Street, Fremont, CA, 94538 UNITED STATES		

## 4. Test Equipment and Uncertainty

### 4.1. Test Equipment

The measuring equipment used to perform the tests documented in this report has been calibrated in accordance with the manufacturers' recommendations and is traceable to recognized national standards.

#### Lab Equipment

Name of Equipment	Manufacturer	Type/Model	Serial No.	Cal. Due Date
Magnetic Field Probe	SPEAG	AM1DV3	3083	1/8/2025
Data Acquisition Electronics	SPEAG	DAE4	1352	11/15/2024
AMMI	SPEAG	SE UMS 010 BB	1113	N/A
DAC	Sound Devices	USBPre 2	HB1420133009	N/A
DAC	Yellow tech	YT4211	22000115	N/A
Amplifier	KROHN-HITE	7500	926	N/A
Switch	TP-Link	TL-SG1024D	13688100415	N/A
Support Device	APPLE	iMAC	PT867513	N/A
Support Device	APPLE	MacBook Pro	HRP119301	N/A
Thermometer	TRACEABLE	6530CC	181073773	1/31/2025
Radio Communication Tester	R&S	CMW 500	125236-eS	2/19/2025
Radio Communication Tester	R&S	CMX 500	101156-bz	3/18/2025
Up/Down Converter	R&S	CMW-Z800A	100198-XW	02/28/2025

### 4.1.1. Base Station Simulator Software and Firmware

The following software/firmware was used to simulate the VoLTE, VoNR (5G NR) and VoWiFi server for CMRS testing using R&S CMW500 and CMX500 base station simulators.

Technology	Firmware	License Key	Software Name
VoLTE	V3.8.10 for LTE	KS500	LTE FDD R8 SIG BASIC
		KS550	LTE TDD R8 SIG BASIC
	V3.8.10 for Audio	KA100	IP APPL ENABLING IPv4
		KA150	IP APPL ENABLING IPv6
		KAA20	IP APPL IMS BASIC
		KM050	DATA APPL MEAS
		KS104	EVS SPEECH CODEC
VoNR - 5G NR (FR1)	V7.70.0.116 for 5G NR	CMX-KS600B	NR SIG BASIC FSET1
		CMX-KS600M	NR SIG MEDIUM FSET1
		CMX-KS600X	NR SIG XPERT FSET1
		CMX-KS601B	NR SIG BASIC FSET2
		CMX-KS601M	NR SIG MEDIUM FSET2
		CMX-KS601X	NR SIG XPERT FSET2
		CMX-KS610B	NR SIG BASIC FSET3
		CMX-KS610M	NR SIG MEDIUM FSET3
		CMX-KS610X	NR SIG XPERT FSET3
		CMX-KS611B	NR SIG BASIC FSET4
		CMX-KS611M	NR SIG MEDIUM FSET4
		CMX-KS611X	NR SIG XPERT FSET4
		CMX-KS612B-CMX-KS612B	NR SIG EXT. BASIC FSET5
		CMX-KS612M-CMX-KS612M	NR SIG EXT. MEDIUM FSET5
		CMX-KS612X-CMX-KS612X	NR SIG EXT. EXPERT FSET5
		CMX-KS617B-CMX-KS617B	NR SIG EXT. BASIC FSET6
		CMX-KS617M-CMX-KS617M	NR SIG EXT. MEDIUM FSET6
CMX-KS617X-CMX-KS617X	NR SIG EXT. EXPERT FSET6		
VoWiFi	V3.8.20 for WLAN	KS650	WLAN A/B/G SIG BASIC
		KS651	WLAN N SIG BASIC
		KS656	WLAN IEEE 802.11ac
		KS657	WLAN IEEE 802.11ax
	V3.8.10 for Audio	KA100	IP APPL ENABLING IPv4
		KA150	IP APPL ENABLING IPv6
		KAA20	IP APPL IMS BASIC
		KM050	DATA APPL MEAS
		KS104	EVS SPEECH CODEC

## 4.2. Measurement Uncertainty

Uncertainty of Audio Band Magnetic Measurements							
Error Description	Uncertainty Values (±%)	Probe Dist.	Div.	(c <sub>i</sub> ) ABMd	c <sub>i</sub> ABMu	Std. Uncertainty	
						ABMd (±%)	ABMu (±%)
<b>Probe Sensitivity</b>							
Reference Level	3.0	N	1	1	1	3.0	3.0
AMCC Geometry	0.4	R	√3	1	1	0.2	0.2
AMCC Current	1.0	R	√3	1	1	0.6	0.6
Probe Positioning during Calibration	0.1	R	√3	1	1	0.1	0.1
Noise Contribution	0.7	R	√3	0.0143	1	0.0	0.4
Frequency Slope	5.9	R	√3	0.1	1.0	0.3	3.5
<b>Probe System</b>							
Repeatability / Drift	1.0	R	√3	1	1	0.6	0.6
Linearity / Dynamic Range	0.6	R	√3	1	1	0.4	0.4
Acoustic Noise	1.0	R	√3	0.1	1	0.1	0.6
Probe Angle	1.0	R	√3	1	1	0.6	0.6
Spectral Processing	0.9	R	√3	1	1	0.5	0.5
Integration Time	0.6	N	1	1	5	0.6	3.0
Field Disturbation	0.2	R	√3	1	1	0.1	0.1
<b>Test Signal</b>							
Reference Signal Spectral Response	0.6	R	√3	0	1	0.0	0.4
<b>Positioning</b>							
Probe Positioning	1.9	R	√3	1	1	1.1	1.1
Phantom Thickness	0.9	R	√3	1	1	0.5	0.5
DUT Positioning	1.9	R	√3	1	1	1.1	1.1
<b>External Contributions</b>							
RF Interference	0.0	R	√3	1	0.3	0.0	0.0
Test Signal Variation	2.0	R	√3	1	1	1.2	1.2
<b>Combined Uncertainty</b>							
Combined Std. Uncertainty (ABM field)						3.9	6.0
<b>Expanded Std. Uncertainty (%)</b>						<b>7.8</b>	<b>11.9</b>
Notes:							
1. N - Normal							
2. R - Rectangular							
3. Div. - Divisor used to obtain standard uncertainty							
4. ABMd - Desired ABM Signal							
5. ABMu - Undesired ABM Field							



## 5. Test Procedures for all Technologies

### 5.1. Test Procedure for T-Coil signal per ANSI C63.19-2019, §6

This subclause describes the procedures used to measure the ABM (T-Coil) performance of the WD. Measurements shall be performed over a measurement area 50 mm square, in the measurement plane, as specified in Annex A.3. The measurement area shall be scanned with a uniform measurement point spacing of 2.0 mm  $\pm$  0.5 mm in each X-Y axis of the plane, yielding 676 measurement points with approximately even spacing throughout the area.

Optionally, measurement point spacing may be increased to 4 mm, with interpolation employed to yield the required 676 equivalent measurement points distributed uniformly over the 50 mm square measurement area. Interpolated points shall be derived from the average of the linear representations of the field strengths of the nearest two or four equidistant measured points. The area of measurement is increased to a 52 mm square so that edge rows and columns of the required 50 mm square can be either measured or interpolated, with none extrapolated.

In addition to measuring the desired ABM signal levels, the weighted magnitude of the unintended signal shall also be determined. Weighting of the unintended and undesired ABM field shall be by the spectral and temporal weighting described in Annex D.4 through D.6.

In order to assure that the required signal quality is measured, the measurement of the intended signal and the measurement of the unintended signal shall be made at the same locations. Measurements shall not include undesired influence from the WD's RF field; therefore, use of a coaxial connection to a base station simulator or non-radiating load might be necessary. However, even then with a coaxial connection to a base station simulator or non-radiating load there could still be RF leakage from the WD, which could interfere with the desired measurement. Pre-measurement checks should be made to avoid this possibility. All measurements shall be done with the WD operating on battery power with an appropriate normal speech audio signal input level given in Table 6.1. If the device display can be turned off during a phone call, then that may be done during the measurement as well. If tested with the display in the off state this shall be documented in the test report.

Measurements shall be performed with the probe coil oriented in the transverse direction, as illustrated in Annex A.3, that is, aligned in the plane of the measurement area and perpendicular to the long dimension of the WD. A multi-stage sequence consists of first measuring the field strength of the desired T-Coil signal (desired ABM signal) that is useful to a hearing aid T-Coil at each specified measurement point. The undesired magnetic component (undesired ABM field) is then measured in the same transverse orientation at each of the same measurement points. At a single location only, taken at or near the highest desired ABM signal reading, the desired ABM signal frequency response shall be determined in a third measurement stage. The flowchart in Figure 6.3 illustrates this three-stage process.

To minimize the need to test every WD operating mode to the telecoil requirements of Clause 6, it is permissible to exclude some subset of supported configurations. For a given WD, every mode that supports voice communication shall be considered for telecoil testing. However, if it can be demonstrated that a certain configuration will not be the worst-case telecoil configuration, such configurations may be excluded from the full telecoil scans of 6.4.<sup>1</sup> For example, operating modes may be pre-screened by scanning for both desired ABM signal and undesired ABM field at a lower measurement point density than the final scans, thus saving considerable testing time by eliminating configurations that are excellent performers from more detailed testing for worst-case. In any case, the specific methods and criteria used to determine which configurations are excluded for a WD shall be explicitly stated and justified in the test report. To be considered for exclusion from telecoil testing, operating modes shall also be shown to pass the frequency response requirements of 6.6.3.

Many factors could affect telecoil test results. RF power level and amplitude modulation characteristics as well as the specific current paths within the WD associated with the RF output stage(s), the display, and processing circuitry could affect the undesired ABM field. Audio codec implementation and acoustic receiver characteristics could also affect the desired ABM signal). Therefore, any justifications for exclusions should be thorough documented. If an operating mode is under user control and instructions on how to place the WD in a less interfering condition is in the user instructions, those instructions may be followed in configuring the device for testing.

The following steps summarize the basic test flow for determining desired ABM signal and undesired ABM field. These steps assume that a sine wave or narrowband 1/3 octave signal can be used for the measurement of desired

<sup>1</sup> The allowance to not test all modes does not remove the requirement that all modes meet the requirements of this standard if a claim of compliance is to be made. What is allowed is a reduction of testing, where there is a good basis for believing that testing that is performed demonstrates the compliance of all possible operating modes.

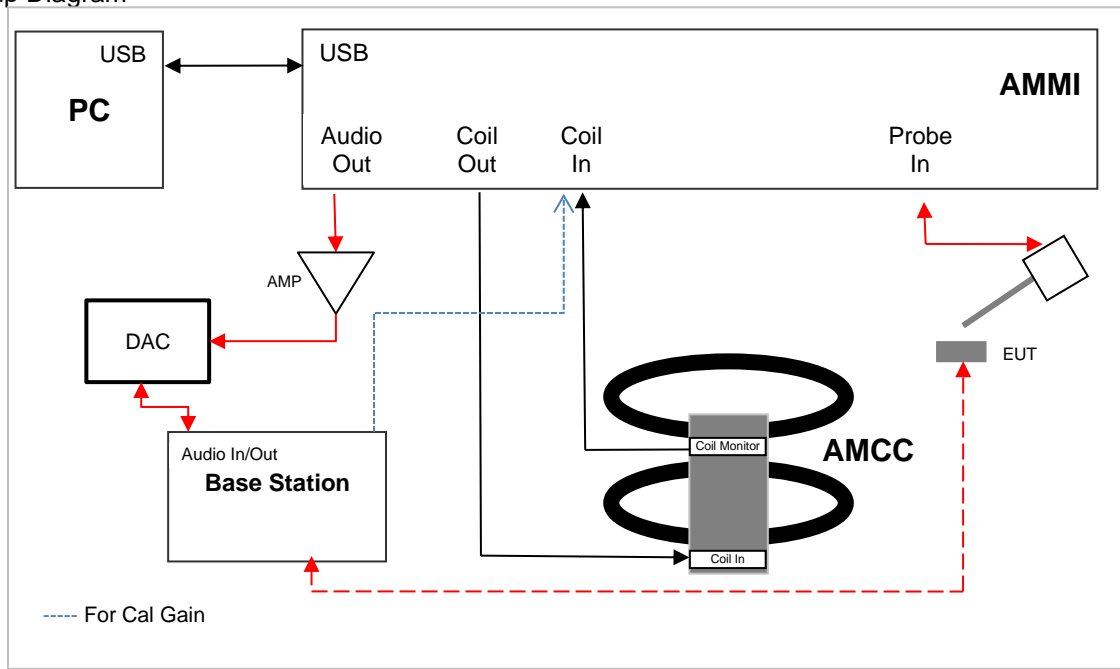
ABM signal level. An alternative procedure, yielding equivalent results, using a broadband excitation is described in 6.5.

- a) A validation of the test setup and instrumentation shall be performed. This may be done using a TMFS or Helmholtz Coil. Measure the emissions and confirm that they are within tolerance of the expected values.
- b) Confirm that equipment that requires calibration has been calibrated, and that the noise level meets the requirements given in 6.3.2.
- c) Position the WD in the test setup and connect the WD RF connector to a base station simulator or a non-radiating load (if necessary to control RF interference in the measurement equipment) as shown in Figure 6.1 or Figure 6.2.
- d) The drive level to the WD is set such that the reference input level specified in Table 6.1 is input to the base station simulator (or manufacturer's test mode equivalent) in the 1 kHz, 1/3 octave band. This drive level shall be used for the T-Coil signal test (desired ABM signal) at  $f = 1$  kHz. Either a sine wave at 1025 Hz, or a voice-like signal, band-limited to the 1 kHz 1/3 octave, as specified in 6.4.3, shall be used for the reference audio signal. If interference is found at 1025 Hz an alternative nearby reference audio signal frequency may be used.<sup>2</sup> The same drive level will be used for the desired ABM signal frequency response measurements at each 1/3 octave band center frequency. The WD volume control may be set at any level up to maximum, provided that a signal at any frequency at maximum modulation would not result in clipping or signal overload.
- e) At each measurement location over the measurement area and in the transverse orientation, measure and record the desired 1 kHz T-Coil magnetic signal (desired ABM signal) as described in Step c).
- f) At or near a location representing a maximum in the just-measured desired ABM signal, measure and record the desired T-Coil magnetic signals (desired ABM signal at  $f_i$ ) as described in 6.4.5.2 in each individual ISO 266:1975 R10 standard 1/3 octave band. The desired audio band input frequency ( $f_i$ ) shall be centered in each 1/3 octave band maintaining the same drive level as determined in Step c), and the reading taken for that band.<sup>3</sup> Equivalent methods of determining the frequency response may also be employed, such as fast Fourier transform (FFT) analysis using noise excitation or input–output comparison using simulated speech. The full-band integrated or half-band integrated probe output, as described in D.9, may be used, as long as the appropriate calibration curve is applied to the measured result, so as to yield an accurate measurement of the field magnitude. (The resulting measurement shall be an accurate measurement in dB(A/m).) Compare the frequency response found to the requirements of 6.6.3.
- g) At the same locations measured in Step d), measure and record the undesired broadband audio magnetic signal (undesired ABM field) with no audio signal applied (or digital zero applied, if appropriate) using the specified spectral weighting, the half-band integrator followed by the temporal weighting.
- h) Calculate and record the location and number of the measurement points that satisfy both the minimum desired ABM signal level and the maximum undesired ABM field level specified in 6.6.2. Compare this to the requirements in 6.6.4 and record the result.
- i) Calculate and record the location and number of the measurement points that satisfy the maximum undesired ABM field level and distribution requirements specified in 6.6.4.

<sup>2</sup> The 1025 Hz frequency was selected rather than 1 kHz because a 1 kHz reference frequency could interfere with emission harmonics or test equipment fundamental frequencies.

<sup>3</sup> See 6.4.5.2 and 6.4.5.4 for details.

Test Setup Diagram



**Note(s):**  
 For Audio OUT, an amplifier was added to amplify signal to meet DAC specifications.

**5.2. Reference Input Levels per ANSI C63.19-2019, §6**

The following reference input levels (Figure 6.1) that correlate to a normal speech input level shall be used for the standard transmission protocols.<sup>4</sup>

Table 6.1 - Normal speech input levels

Standard	Protocol	Input (dBm0)
TIA-2000	CDMA	-18
TIA/EIA-136	TDMA (50 Hz)	-18
J-STD-007	GSM (217 Hz)	-16
T1/T1P1/3GPP (See Note 1)	UMTS (WCDMA)	-16
iDEN®	TDMA (22 Hz and 11 Hz)	-18
VoIP <sup>a</sup> (See Note 2)	Voice over Internet Protocol	-16

NOTE 1 - For UMTS (Universal Mobile Telecommunications System), refer to 3GPP TS26.131 and TS26.132 (<http://www.3gpp.org>).  
 NOTE 2 - VoIP is used in this table as a general term specifying a group of voice services that use -16 dBm0 as their normal acoustic level. The group includes a variety of voice services, including Voice-over-LTE (VoLTE), Voice-over-IP-multimedia-subsystem (VoIMS), Voice-over-Wi-Fi (VoWiFi) and similar services. For 3G, LTE, and WLAN terminals used for Commercial Mobile Radio Service (CMRS) based telephony, refer to 3GPP TS26.131 and TS26.132.

<sup>a</sup> The manufacturer shall establish that -16 dBm0 is the normal acoustic level in order to place it in this category.

For protocols not listed in Table 6.1, use the normal speech input level per the relevant specifications for that air interface.

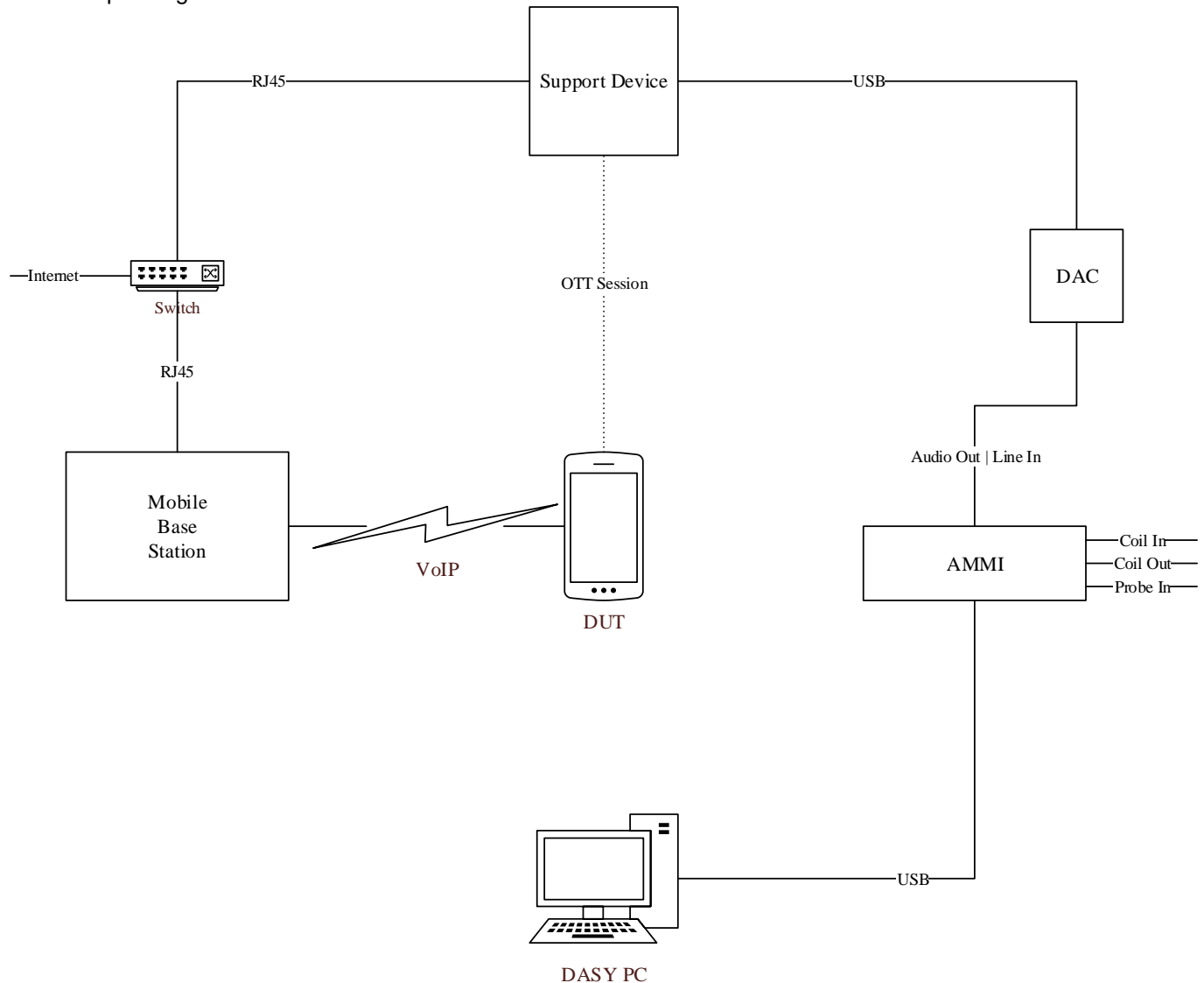
<sup>4</sup> The intent of this subclause is to provide a nominal level speech input independent of air interface and measure the magnetic response in a normal use condition without requiring an acoustic reference. The nominal level speech signals in 6.4.3.2 will result in acoustic speech levels that are mutually consistent and also span a range including 94 dB SPL, as shown in the examples below. This is intended to allow the operator to set WD adjustable volume controls as needed to produce a sufficient desired magnetic level (desired ABM signal) based on intended usage. When measuring with the specified nominal speech input level of -16 dBm0 for GSM, a GSM phone shall not exceed a receive loudness rating (RLR) of -13 dB at maximum volume setting. However, at a nominal volume control setting with the same -16 dBm0 input, a GSM phone shall have an RLR of at least 2 dB ± 3 dB. An RLR of 2 dB ± 3 dB corresponds to a sound pressure level of 84 dB ± 3 dB SPL, assuming an earpiece frequency response that is flat over the frequency bands specified as per ITU-T Recommendation P.79. An RLR of -13 dB corresponds to a sound pressure level of 99 dB SPL, assuming an earpiece frequency response that is flat over the frequency bands specified as per ITU-T Recommendation P.79. When measuring with the specified nominal speech input level of -18 dBm0 for CDMA, a CDMA phone with volume control set to the midpoint should provide an RLR of 2 dB ± 5 dB. The CTIA (Rev. 3.21, 2003) CDMA test plan (V1.2) does not specifically place an upper limit on RLR. References: ITU-T Recommendation P.79. Calculation of loudness ratings for telephone handsets. Cellular Telecommunications Industry Association Performance Evaluation Standard for 800 MHz AMPS and Cellular/PCS CDMA Dual Mode Wireless Subscriber Stations.

### 5.3. Over the Top (OTT)

This device supports VoIP via a preinstalled application that uses the FaceTime service, using ACC-ELD as its only codec (refer to §8.1 for air interface details and §9.2.2 for codec bit rates). VoIP capabilities require HAC assessment when voice calls are supported over the cellular data connection via pre-installed VoIP applications.

The equipment is set up as shown below with a support device used to originate the call using the IP transport. The support device<sup>5</sup> connects to the cloud-based FaceTime service via a Wi-Fi access point and router, or an RJ45 Ethernet connection. The DUT connects to the VoIP service via a cellular/unlicensed air interface to the call box and an Ethernet connection from call box to Internet. The various codec bit rate and air interface configurations are evaluated to determine the worst-case configuration (refer to §9.2).

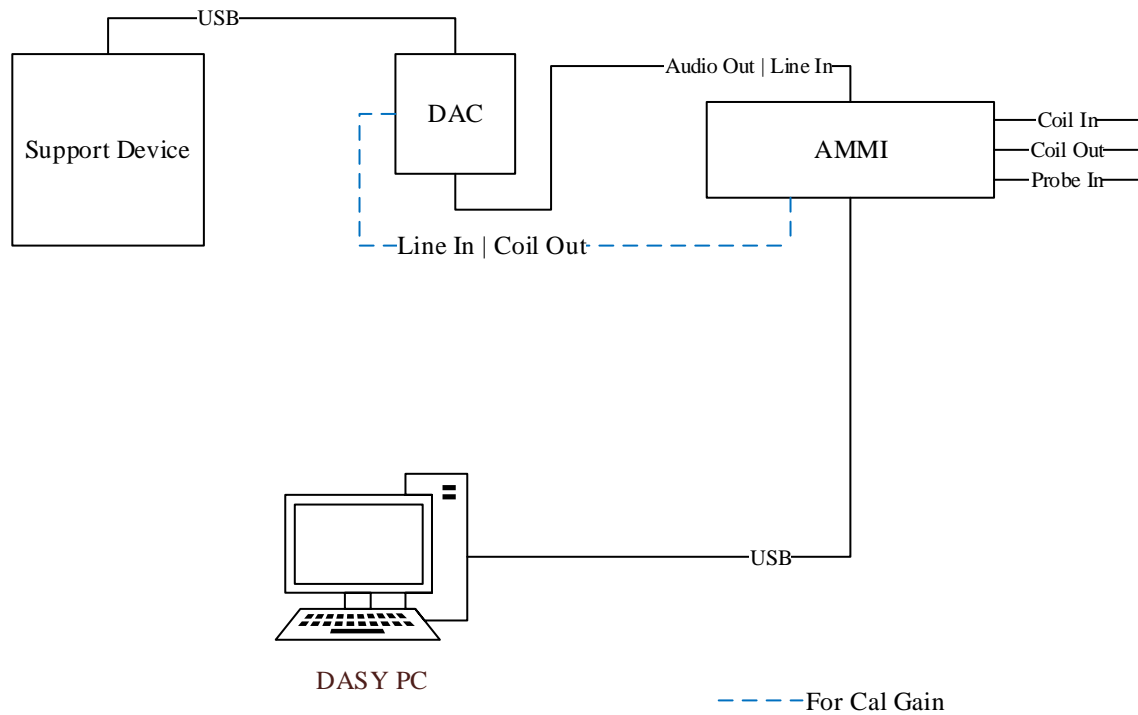
Test Setup configuration for OTT calls:



For the OTT call, the calibrated audio card within the CMW500 cannot be used so the AMMI is connected to an external Digital-Analog Converter (DAC) and the DAC is connected to the Support Device via USB. The test signal is sent from the DASy PC to the AMMI, from the AMMI to the DAC, from the DAC to the Support Device, and, via the VoIP call, to the DUT.

<sup>5</sup> The support device is a Google Mobile Phone.

As this test set up uses an external DAC between the AMMI's audio output and support device, the appropriate gain factor for the OTT call needs be determined. This is done by connecting the DAC between the AMMI Audio output and Coil input as shown below.



Once the proper cable connections are established, the procedures outlined in §6 are followed to calculate the appropriate Gain and codec / system delays for OTT measurements. Please refer to §6.5 for computed OTT gain settings and the test data tables in §9 & 10 for all Codec / system delay measurements performed during OTT testing.

## 6. Calibrations & Gain Measurements

Calibrations and Gain measurements are performed using guidance from SPEAG's *DASY6/8 Module HAC System Handbook §7.3*.

### 6.1. Calibration of AM1DVx Probe

For correct measurement of the audio-band magnetic field, the AM1DVx probe must first be calibrated. The calibration is performed in the Helmholtz Audio Magnetic Calibration Coil (AMCC).

#### 6.1.1. Calibration Setup

During the calibration procedure, the system is set as described below:

- the AMMI is powered on and connected to the DASY6/8 PC via USB.
- the AMMI COIL OUT port is connected to the AMCC COIL IN.
- the AMMI COIL IN port is connected to the AMCC COIL MONITOR.
- the AM1DVx probe is mounted on the robot.

#### 6.1.2. Sensor Angle Alignment

The sensor angle relative to the robot arm depends on several factors: probe connector angle, Data Acquisition Electronics (DAE) connector angle, use of a Quick Adaptor Change System (QACS). In DASY6/8, the sensor angle is assessed automatically during the alignment phase.

The alignment procedure consists of rotating the probe in the AMCC for an angle within the  $[0^\circ - 360^\circ]$  in  $10^\circ$  steps. The sensor angle is defined as the angle giving the maximum H-field response for the sensor. The angle corresponds to the sensor in the axial direction (same orientation as the AMCC field).

**Note:** The calibration must be repeated after any change in the measurement instrumentation, especially when the probe / DAE has been remounted on the robot.

#### 6.1.3. System Response Calibration

The sensitivity and frequency response of the AM1DVx probe is calibrated over the  $[50\text{Hz} - 10\text{kHz}]$  frequency range using a multi-sine signal. The sines are at the center frequency of each 1/3 octave band.

The measurement is performed in the AMCC with the probe sensor in axial orientation. The Coil In channel of the Audio Magnetic Measurement Instrument (AMMI) measures the voltage over the AMCC internal shunt, which is proportional to the magnetic field in the AMMI. In parallel, the Probe In channel measures the amplified signal picked up by the probe coil. The sensitivity of the probe in  $\text{V}/(\text{A}/\text{m})$  is defined as the voltage ratio at 1 kHz. The frequency response in dB is defined as the ratio between the voltages in each 1/3 octave band normalized to the 1 kHz ratio.

The obtained sensitivity is compared to the one from the probe configuration file for verification purposes. A warning is issued if the deviation exceeds 2 %.

### 6.2. AMMI Audio Output Calibration

The audio output calibration of the AMMI is performed as described below:

- Connect Audio Out to Coil In on the AMMI and click on Calibrate.
- Click on the Calibrate button.
- Once calibration is complete, re-establish the cabling illustrated in Test Setup Diagram §5.1.

### 6.3. Codec / System Delay Measurements

Codec / system delay measurements are calculated using the guidance from SPEAG's *DASY6/8 Module HAC System Handbook §7.3.2.4*:

- A time delay might occur in the audio signal path (latency of the codec, Windows settings ...). For accurate measurements, the system must consider this delay, and shift in time the probe readings accordingly.
- Module HAC features automated measurement of the delay. The assessed delay will then be used for the subsequent desired ABM signal level and undesired ABM field level measurements.
- The delay is measured by pressing the Assess Delay button under the Scan Control section of the Measurement tab. The system must be ready to measure, and the DUT must be transmitting in the desired test mode.
- A scan with reduced resolution will be performed and the delay will be assessed at the measured maximum.
- This measurement must be repeated after every change in the hardware setup, or when a different DUT / Codec is used.

### 6.4. Compute Gain Settings

Gain settings are computed using the following procedure:

- Define the Scan Type as Signal in the Scan Type section.
- Specify the Input Level and Codec Delay in the Base Station Simulator Settings.
  - Input level refers to full scale input level equivalent to 3.14 dBm0.
    - Input level of 1V is used for R&S CMW500 Base Station Simulator.
    - Input level of 1V is used for R&S CMX500
  - The codec delay can be measured automatically using the procedure described above in §6.3 above.
- Enter the desired speech level in dBm0. Refer to §5.2 for applicable Reference Input Levels.
- Specify the audio file and the measurement duration to be used for the area and frequency response scans.
  - Use Audio file 48k\_voice\_1kHz\_1s.wav for ABMd and ABMu measurements.
  - Use Audio file 48k\_voice\_300-3000\_2s.wav for Frequency Response measurements.
- Click on Compute Gain Settings. The properties of the audio file, such as the bandwidth compensation factor (BWC), peak value, etc. will be automatically computed. In addition, the audio file scaling (also called gain) will be calculated. A popup is displayed in case the resulting gain exceeds the AMMI dynamic range.

Computed Gain settings for each supported technology for CMRS evaluations is illustrated in the table below:

#### SAR 11

Computed Gain Settings						
Technology	Signal Type	Speech Level (dBm0)	Peak to Full Scale (dB)	Peak to RMS Scale (dB)	BWC (dB)	Scaling (Gain) (dB)
GSM	Voice 1 kHz	-16.0	-0.37	15.74	0.07	-12.47
	Voice 300-3kHz	-16.0	0	21.57	10.81	-6.64
W-CDMA	Voice 1 kHz	-16.0	-0.37	15.74	0.07	-12.5
	Voice 300-3kHz	-16.0	0	21.57	10.81	-6.67
VoLTE	Voice 1 kHz	-16.0	-0.37	15.74	0.07	-12.48
	Voice 300-3kHz	-16.0	0	21.57	10.81	-6.65
VoNR	Voice 1 kHz	-16.0	-0.37	15.74	0.07	-12.47
	Voice 300-3kHz	-16.0	0	21.57	10.81	-6.63
VoWiFi	Voice 1 kHz	-16.0	-0.37	15.74	0.07	-11.02
	Voice 300-3kHz	-16.0	0	21.57	10.81	-5.19

## 6.5. Over the Top (OTT)

For GSM, W-CDMA, LTE, 5G NR and Wi-Fi, the procedures outlined in §6.4 above were followed to compute the appropriate Gain settings for OTT measurements.

Computed Gain settings for each supported technology for OTT evaluations is illustrated in the table below:

### SAR 11

Computed Gain Settings						
Technology	Signal Type	Speech Level (dBm0)	Peak to Full Scale (dB)	Peak to RMS Scale (dB)	BWC (dB)	Scaling (Gain) (dB)
GSM	Voice 1 kHz	-16.0	-0.37	15.74	0.07	-12.13
	Voice 300-3kHz	-16.0	0	21.57	10.81	-6.3
W-CDMA	Voice 1 kHz	-16.0	-0.37	15.74	0.07	-12.12
	Voice 300-3kHz	-16.0	0	21.57	10.81	-6.29
LTE	Voice 1 kHz	-16.0	-0.37	15.74	0.07	-12.12
	Voice 300-3kHz	-16.0	0	21.57	10.81	-6.29
5G NR	Voice 1 kHz	-16.0	-0.37	15.74	0.07	-12.14
	Voice 300-3kHz	-16.0	0	21.57	10.81	-6.31
WLAN	Voice 1 kHz	-16.0	-0.37	15.74	0.07	-12.13
	Voice 300-3kHz	-16.0	0	21.57	10.81	-6.3

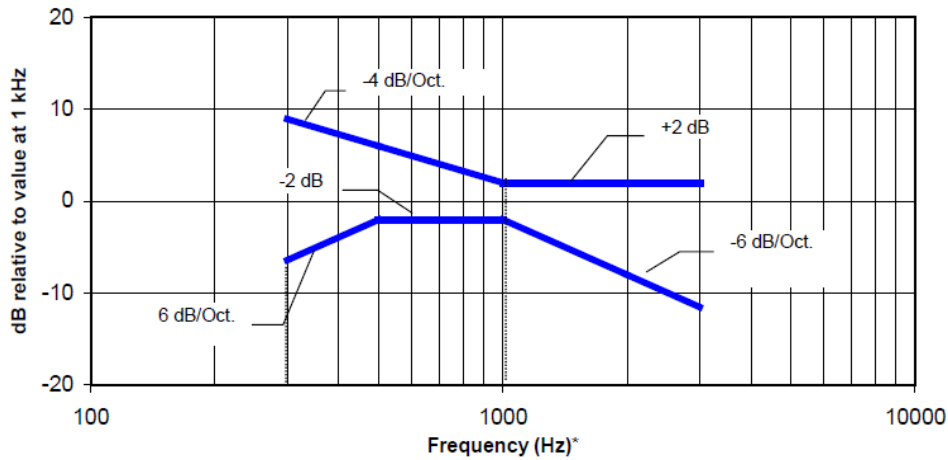


## 7. T-coil Measurement Criteria

### 7.1. Frequency Response

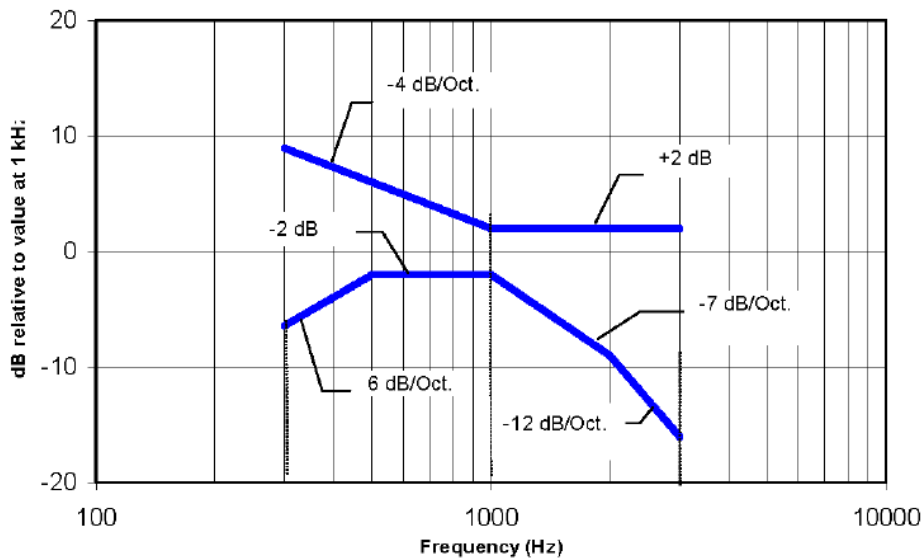
The frequency response of the magnetic field, measured in 1/3 octave bands, shall follow the response curve specified in this subclause, over the frequency range 300 Hz to 3 kHz.

Figure 6.4 and Figure 6.5 provide the boundaries for the specified frequency. These response curves are for true field strength measurements of the T-Coil signal. Thus the 6 dB/octave probe response has been corrected from the raw readings.



NOTE—Frequency response is between 300 Hz and 3 kHz.

**Figure 6.4—Magnetic field frequency response for WDs with a maximum field  $\leq -15$  dB(A/m) at 1 kHz**



NOTE—Frequency response is between 300 Hz and 3000 Hz.

**Figure 6.5—Magnetic field frequency response for WDs with a maximum field that exceeds  $-15$  dB(A/m) at 1 kHz**

## 7.2. Coupling Mode Requirements

In order to comply with the requirements for T-Coil use, a WD's tested operating modes shall simultaneously meet the requirements for minimum desired ABM signal level and maximum undesired ABM field contained in this subclause at the minimum specified number of scanned locations.

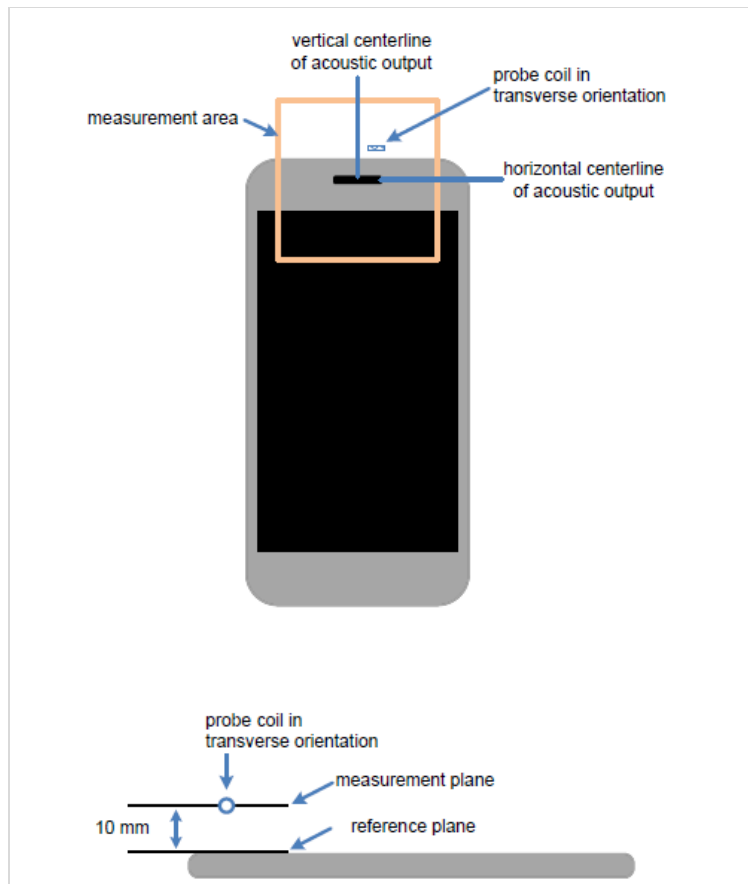
When measured as specified in this standard, there are two groups of qualifying measurement points:

*Primary group:* A qualifying measurement point shall have its T-Coil signal, desired ABM signal,  $\geq -18$  dB(A/m) at 1 kHz, in a 1/3 octave band filter. These measurements shall be made with the WD operating at a reference input level as specified in Table 6.1. Simultaneously, the qualifying measurement point shall have its weighted magnetic noise, undesired ABM field  $\leq -38$  dB(A/m).

*Secondary group:* A qualifying measurement point shall have its weighted magnetic noise, undesired ABM field  $\leq -38$  dB(A/m). This group inherently includes all the members of the primary group.

These levels are designed to be compatible with hearing aids that produce the same acoustic output level for either an acoustic input level of 65 dB SPL or a magnetic input level of  $-25$  dB(A/m) (56.2 mA/m)<sup>6</sup> at either 1.0 kHz or 1.6 kHz. The hearing aid operational measurements are performed per ANSI S3.22-2014.

Measurement locations and reference plane to be used for the T-coil measurements.



<sup>6</sup> IEC 60118-1 refers to hearing aid output being the same for an acoustic input of 70 dB SPL and a magnetic input of 100 mA/m. Thus 31.6 mA/m is equivalent to an acoustic input of 60 dB SPL, and an acoustic input of 65 dB SPL is equivalent to 56.2 mA/m.

### 7.3. Desired ABM Signal and Undesired ABM Field Requirements

For a WD that is expected to operate primarily in radio access technologies that include 2G GSM for legacy support, the WD shall be qualified for telecoil compatibility one of two ways:

- The DUT shall be rated for telecoil use for all other voice operating modes, exclusive of 2G GSM, according to the criteria of §6.6.4.2 of ANSI C63.19 2019.
- If the DUT is to be rated for telecoil use in its 2G GSM operating modes, these modes shall be qualified according to the criteria of §6.6.4.3 of ANSI C63.19 2019.

#### 7.3.1. Non-2G GSM Operating modes

The goal of this requirement is to ensure an adequate area where desired ABM signal is sufficiently strong to be heard clearly and a larger area where undesired ABM field is sufficiently low as to avoid undue annoyance. Qualifying measurement points shall fulfill the coupling mode requirements; both the primary and secondary group requirements shall be met:

- The primary group shall include at least 75 measurement points.
  - The secondary group shall include at least 300 contiguous measurement points.
- Additionally, to avoid an oddly shaped area of low noise, the secondary group shall include at least one longitudinal column of at least 10 contiguous qualifying points and at least one transverse row containing at least 15 contiguous qualifying points.

#### 7.3.2. 2G GSM Operating modes

For 2G GSM operating mode(s), the qualifying measurement points shall fulfil the coupling mode requirements; both the primary and secondary group requirements shall be met:

- The primary group shall include at least 25 measurement points.
- The secondary group shall include at least 125 contiguous measurement points.

Additionally, to avoid an oddly shaped area of low noise, the secondary group shall include at least one longitudinal column of at least 10 contiguous qualifying points and at least one transverse row containing at least 15 contiguous qualifying points.

### 8. Device Under Test

Normal operation	Held to head		
Back Cover	The Back Cover is not removable		
Test sample information	<b>S/N</b> L277QQK1F6	<b>IMEI</b> N/A	<b>Notes</b> HAC Sample

#### 8.1. Air Interfaces and Operating Mode

All air interfaces which support voice capabilities over a managed CMRS, or pre-installed OTT VoIP applications were evaluated.

Air Interface	Bands (MHz)	Type	C63.19 Tested	Simultaneous Transmitter	Name of Voice Service	Power Mode <sup>3</sup>	Power Reduction	Audio Codecs Evaluated <sup>1</sup>
GSM	850	VO	Yes	Wi-Fi, BT, NB U-NII, 802.15.4 & 802.15.4ab NB	CMRS	Mode A	N/A	EFR, AMR-NB & AMR-WB
	1900						N/A	
	GPRS/EDGE	DT/VD	Yes	Wi-Fi, BT, NB U-NII, 802.15.4 & 802.15.4ab NB	FaceTime	Mode A	N/A	ACC-ELD
W-CDMA (UMTS)	850	VO	Yes	Wi-Fi, BT, NB U-NII, 802.15.4 & 802.15.4ab NB	CMRS	Mode A	N/A	AMR-NB & AMR-WB
	1700							
	1900	VD	Yes	Wi-Fi, BT, NB U-NII, 802.15.4 & 802.15.4ab NB	FaceTime	Mode A	N/A	ACC-ELD
LTE - FDD	600 (B71)	VD	Yes	5G NR, Wi-Fi, BT, NB U-NII, 802.15.4 & 802.15.4ab NB	CMRS FaceTime	Mode A	N/A	AMR-NB, AMR-WB, EVS, & ACC-ELD
	700 (B12/13/14/17)							
	850 (B5/26)							
	1700 (B4/66)							
	1900 (B2/25)							
	2300 (B30)							
2500 (B7)								
LTE - TDD	2500 (B53)	VD	Yes	5G NR, Wi-Fi, BT, NB U-NII, 802.15.4 & 802.15.4ab NB	CMRS FaceTime	Mode A	N/A	AMR-NB, AMR-WB, EVS, & ACC-ELD
	2600 (B41)							
	3600 (B48)							
5G NR(FR1) FDD	600 (n71)	VD	Yes <sup>2</sup>	LTE, Wi-Fi, BT, NB U-NII, 802.15.4 & 802.15.4ab NB	CMRS FaceTime	Mode A	N/A	AMR-NB, AMR-WB, EVS, & ACC-ELD
	700 (n12/n14)							
	850 (n5/n26)							
	1700 (n66/n70)							
	1900 (n2/n25)							
	2300 (n30)							
2500 (n7)								
5G NR(FR1) TDD	2500 (n53)	VD	Yes <sup>2</sup>	LTE, Wi-Fi, BT, NB U-NII, 802.15.4 & 802.15.4ab NB	CMRS FaceTime	Mode A	N/A	AMR-NB, AMR-WB, EVS, & ACC-ELD
	2600 (n41)							
	3500 (n77 Block A)							
	3700 (n48)							
	3900 (n77 Block C)							

Type  
 VO: Legacy Cellular Voice Service  
 DT: Digital Transport only (no voice)  
 VD: IP Voice Service over Digital Transport  
 CMRS: Commercial Mobile Radio Service

- Note(s):
- For protocols not listed in Table 6.1 of ANSI C63.19-2019, the average speech level of -20 dBm0 was used. Refer to §5.2 for reference input levels.
  - 5G NR (VoNR) is supported: manufacturer states that 5G NR (VoNR) uses the same protocol, Codec(s) and bitrates as LTE (VoLTE).
  - For all air interfaces, the maximum held-to-head output power was used for T-Coil evaluations. The maximum held-to-head output power is Mode A for WWAN operating modes and Power State 1 Mode A for WLAN operating modes. Refer to §9 & §10 for T-Coil evaluations.

**Air Interfaces and Operating Modes**

Air Interface	Bands (MHz)	Type	C63.19 Tested	Simultaneous Transmitter	Name of Voice Service	Power Mode <sup>3</sup>	Power Reduction	Audio Codecs Evaluated <sup>1</sup>
Wi-Fi	2450	VD	Yes	WWAN, NB U-NII & 802.15.4ab	CMRS FaceTime	Power State 1 Mode A	N/A	AMR-NB, AMR-WB, EVS, & ACC-ELD
	U-NII-1							
	U-NII-2A							
	U-NII-2C							
	U-NII-3	VD	Yes	WWAN, BT, 802.15.4, & 802.15.4ab NB	CMRS FaceTime	Power State 1 Mode A	N/A	AMR-NB, AMR-WB, EVS, & ACC-ELD
	U-NII-5 (VLP, SP, LPI)							
	U-NII-6 (LPI)							
	U-NII-7 (VLP, SP, LPI)							
U-NII-8 (LPI)	VD	No <sup>2</sup>	WWAN, BT, 802.15.4, & 802.15.4ab NB	CMRS FaceTime	N/A	N/A	AMR-NB, AMR-WB, EVS, & ACC-ELD	
NB U-NII	5200 (U-NII-1)	DT	N/A	WWAN, Wi-Fi 2.4 GHz	N/A	N/A	N/A	N/A
	5800 (U-NII-3)							
802.15ab NB	5800 (U-NII-3)	DT	N/A	WWAN, BT, 802.15.4 & Wi-Fi <sup>2</sup>	N/A	N/A	N/A	N/A
802.15.4	2450	DT	N/A	WWAN, 802.15.4ab NB & Wi-Fi 5/6G	N/A	N/A	N/A	N/A
BT	2.4GHz	DT	N/A	WWAN, 802.15.4ab NB & Wi-Fi 5/6G	N/A	N/A	N/A	N/A
MSS	1600	DT	N/A	N/A	N/A	N/A	N/A	N/A
NFC	13	DT	N/A	WWAN, BT, Wi-Fi 2.4G, Wi-Fi 5/6G, 802.15.4	N/A	N/A	N/A	N/A
UWB (Ultra-Wideband)	6500	DT	N/A	N/A	N/A	N/A	N/A	N/A
	8000							
Type VO: Legacy Cellular Voice Service DT: Digital Transport only (no voice) VD: IP Voice Service over Digital Transport CMRS: Commercial Mobile Radio Service				Note(s): 1. For protocols not listed in Table 6.1 of ANSI C63.19-2019, the average speech level of -20 dBm0 was used. Refer to §5.2 for reference input levels. 2. Supported Frequency > 6GHz. ANSI C63,19 2019 only requires HAC evaluations for Technologies/Frequencies < 6GHz. 3. For all air interfaces, the maximum held-to-head output power was used for T-Coil evaluations. The maximum held-to-head output power is Mode A for WWAN operating modes and Power State 1 Mode A for WLAN operating modes. Refer to §9 & §10 for T-Coil evaluations.				

## 9. Investigations (Antenna, Codec, & Air Interface)

In order to comply with the requirements for T-Coil use, a WD's tested operating modes shall simultaneously meet the requirements for minimum desired ABM signal level and maximum undesired ABM field contained in this subclause at the minimum specified number of scanned locations.

When measured as specified in this standard, there are two groups of qualifying measurement points:

Primary group: A qualifying measurement point shall have its T-Coil signal, desired ABM signal,  $\geq -18$  dB(A/m) at 1 kHz, in a 1/3 octave band filter. These measurements shall be made with the WD operating at a reference input level as specified in Table 6.1. Simultaneously, the qualifying measurement point shall have its weighted magnetic noise, undesired ABM field  $\leq -38$  dB(A/m).

Secondary group: A qualifying measurement point shall have its weighted magnetic noise, undesired ABM field  $\leq -38$  dB(A/m). This group inherently includes all the members of the primary group.

### **2G GSM Operating modes**

For 2G GSM operating mode(s), the qualifying measurement points shall fulfil the coupling mode requirements; both the primary and secondary group requirements shall be met:

- The primary group shall include at least 25 measurement points.
- The secondary group shall include at least 125 contiguous measurement points.

Additionally, to avoid an oddly shaped area of low noise, the secondary group shall include at least one longitudinal column of at least 10 contiguous qualifying points and at least one transverse row containing at least 15 contiguous qualifying points.

### **Non-2G GSM Operating modes**

Qualifying measurement points shall fulfill the coupling mode requirements; both the primary and secondary group requirements shall be met:

- The primary group shall include at least 75 measurement points.
- The secondary group shall include at least 300 contiguous measurement points.

Additionally, to avoid an oddly shaped area of low noise, the secondary group shall include at least one longitudinal column of at least 10 contiguous qualifying points and at least one transverse row containing at least 15 contiguous qualifying points.

### **5G NR Operating modes**

The DUT supports 5G NR, Voice over New Radio (VoNR). Per the manufacturer, 5G NR (VoNR) uses the same protocol, Codec(s) and bitrates as LTE (VoLTE). Investigations were performed on LTE (VoLTE) and the worst-case Port/Antenna/Codec/Air Interface configurations from LTE (VoLTE) was used for 5G NR (VoNR) evaluations. Refer to §10 for 5G NR (VoNR) evaluations.

### **All Operating modes**

For all air interfaces, the maximum held-to-head output power was used for T-Coil evaluations. The maximum held-to-head output power is Mode A for WWAN operating modes and Power State 1 Mode A for WLAN operating modes. Refer to §9 & §10 for T-Coil evaluations.

The worst-case configuration is determined by the lowest margin of Primary Group Contiguous Points. The margin Primary Group Contiguous Points is calculated by subtracting the Primary Group points coupling mode requirement (25 for GSM modes and 75 for non-GSM modes) from the measured Primary Group Contiguous Points. The lowest margin of Primary Group Contiguous Points will be highlighted in each table.

For WWAN technologies, the DUT utilizes an Antenna - Port mapping feature. A Port is a collection (cluster) of antennas. Once the Port and Frequency Band has been selected, the transmitting Antenna is auto selected. Below is a description of the Port - Antenna mapping for the DUT.

Port	Frequency Band	Antenna
A	LB	1
	LMB	1
	MBHB	1
	UHB	7
B	LB	2
	LMB	2
	MBHB	2
	UHB	8
C	MBHB	3
	UHB	9
D	MBHB	4
	UHB	4

LB = Lower Band (617 MHz - 960 MHz)

LMB = Lower - Mid Band (1427 MHz - 1700 MHz)

MBHB = Mid Band - High Band (1710 MHz - 2960 MHz)

UHB = Ultra High Band (3300 MHz - 4200 MHz)

An investigation was performed to determine the worst-case Port for each Licensed technology. All subsequent measurements were determined by this investigation.

The device supports four (4) WLAN Tx antennas:

Antenna	Technology
3 (Lower)	Wi-Fi 2.4GHz
	Bluetooth
4 (Upper)	Wi-Fi 2.4GHz
	Bluetooth
5 (Lower)	Wi-Fi 5GHz
	Bluetooth
6 (Upper)	Wi-Fi 5GHz
	Bluetooth

An investigation was performed to determine the worst-case WLAN Antenna. All subsequent measurements were determined by this investigation.

## 9.1. CMRS

### 9.1.1. Antenna Investigation

Mode:	Channel and Frequency	Bandwidth (Data Rate)	Power Mode	Port/Antenna	Orientation	Frequency Response	Ambient Noise dB(A/m)	Primary Group Contiguous Pts	Secondary Group Contiguous Pts	Secondary Group Max Longitudinal	Secondary Group Max Transverse	Primary Group Contiguous Pts Margin	Secondary Group Contiguous Pts Margin
GSM 1900 Voice Coder Speechcodec Low	661 1880 MHz	NA	Mode A	A (ANT 1)	Transverse	Pass	-56.37	270	632	26	26	245	507
				B (ANT 2)	Transverse	Pass	-56.37	259	620	26	26	234	495
				C (ANT 3)	Transverse	Pass	-56.37	262	621	26	26	237	496
				D (ANT 4)	Transverse	Pass	-56.37	242	603	26	26	217	478
W-CDMA BII Rel. 99 AMR-NB: 4.75 kbps	9400 1880 MHz	NA	Mode A	A (ANT 1)	Transverse	Pass	-56.37	363	675	26	26	288	375
				B (ANT 2)	Transverse	Pass	-56.37	343	655	26	26	268	355
				C (ANT 3)	Transverse	Pass	-56.37	358	670	26	26	283	370
				D (ANT 4)	Transverse	Pass	-56.37	343	654	26	26	268	354
LTE Band 25 QPSK RB 1/0 AMR-NB: 4.75 kbps	26365 1882.5 MHz	20 MHz	Mode A	A (ANT 1)	Transverse	Pass	-56.45	360	675	26	26	285	375
				B (ANT 2)	Transverse	Pass	-56.45	358	675	26	26	283	375
				C (ANT 3)	Transverse	Pass	-56.45	358	675	26	26	283	375
				D (ANT 4)	Transverse	Pass	-56.45	358	675	26	26	283	375
LTE Band 41 QPSK RB 1/0 AMR-NB: 4.75 kbps	40620 2593 MHz	20 MHz	Mode A	A (ANT 1)	Transverse	Pass	-56.45	356	666	26	26	281	366
				B (ANT 2)	Transverse	Pass	-56.45	305	607	26	26	230	307
				C (ANT 3)	Transverse	Pass	-56.45	295	595	26	26	220	295
				D (ANT 4)	Transverse	Pass	-56.45	213	506	26	26	138	206
802.11b AMR-NB: 4.75 kbps	6 2437 MHz	DSSS 1 Mbps 20 MHz BW	Power State 1 Mode A	ANT 3	Transverse	Pass	-56.18	345	672	26	26	270	372
				ANT 4	Transverse	Pass	-56.18	347	673	26	26	272	373
802.11a AMR-NB: 4.75 kbps	36 5180 MHz	BPSK 6 Mbps 20 MHz BW	Power State 1 Mode A	ANT 5	Transverse	Pass	-56.18	351	675	26	26	276	375
				ANT 6	Transverse	Pass	-56.18	349	675	26	26	274	375

**Note(s):**

- PORT D (ANT 4) has been determined to be the worst-case antenna for GSM.
- PORT D (ANT 4) has been determined to be the worst-case antenna for W-CDMA.
- PORT D (ANT 4) has been determined to be the worst-case antenna for LTE-FDD.
- PORT D (ANT 4) has been determined to be the worst-case antenna for LTE-TDD.
- ANT 3 has been determined to be the worst-case antenna for Wi-Fi 2.4 GHz.
- ANT 6 has been determined to be the worst-case antenna for Wi-Fi 5 GHz.



### 9.1.2. Codec Investigation

An investigation between the various codec configurations (Low/Mid/High bit rates for Narrowband, Wideband and EVS) was performed to determine the worst-case bit rates for each voice service type. The table below compares the varying codec configurations. A codec investigation was performed on one band of each W-CDMA, LTE FDD, LTE TDD, Wi-Fi 2.4GHz and Wi-Fi 5GHz.

#### W-CDMA Codec Investigation

W-CDMA Codec Investigation													
Band/Channel/ Bandwidth	Power Mode	Port/Antenna	Orientation	Codec	Bitrate (kbps)	Frequency Response	Ambient Noise dB(A/m)	Primary Group Contiguous Pts	Secondary Group Contiguous Pts	Secondary Group Max Longitudinal	Secondary Group Max Transverse	Primary Group Contiguous Pts Margin	Secondary Group Contiguous Pts Margin
W-CDMA BII Rel. 99 Ch. 9400 1880 MHz	Mode A	D (ANT 4)	Transverse	AMR-NB	4.75	Pass	-56.37	400	666	26	26	325	366
					7.4	Pass	-56.37	402	668	26	26	327	368
					12.2	Pass	-56.37	402	667	26	26	327	367
				AMR-WB	6.6	Pass	-56.39	288	668	26	26	213	368
					15.85	Pass	-56.39	296	666	26	26	221	366
					23.85	Pass	-56.39	298	668	26	26	223	368

**Note(s):**

- For W-CDMA, it is observed that 6.60 kbps is the worst-case bit rate.

#### VoLTE Codec Investigation

VoLTE Codec Investigation													
Band/Channel/ Bandwidth	Power Mode	Port/Antenna	Orientation	Codec	Bitrate (kbps)	Frequency Response	Ambient Noise dB(A/m)	Primary Group Contiguous Pts	Secondary Group Contiguous Pts	Secondary Group Max Longitudinal	Secondary Group Max Transverse	Primary Group Contiguous Pts Margin	Secondary Group Contiguous Pts Margin
LTE Band 25 CH. 26365 QPSK RB 1/0 20 MHz BW	Mode A	D (ANT 4)	Transverse	AMR-NB	4.75	Pass	-56.45	358	675	26	26	283	375
					7.4	Pass	-56.45	361	675	26	26	286	375
					12.2	Pass	-56.45	364	671	26	26	289	371
				AMR-WB	6.6	Pass	-54.06	279	665	26	26	204	365
					15.85	Pass	-54.06	289	666	26	26	214	366
					23.85	Pass	-54.06	291	668	26	26	216	368
				EVS	5.9	Pass	-54.06	282	651	26	26	207	351
					9.6	Pass	-56.45	381	676	26	26	306	376
					24.4	Pass	-56.45	382	676	26	26	307	376
LTE Band 41 CH. 40620 QPSK RB 1/0 20 MHz BW	Mode A	D (ANT 4)	Transverse	AMR-NB	4.75	Pass	-56.45	213	506	26	26	138	206
					7.4	Pass	-56.45	215	502	26	26	140	202
					12.2	Pass	-56.45	216	503	26	26	141	203
				AMR-WB	6.6	Pass	-54.80	200	543	26	26	125	243
					15.85	Pass	-54.80	198	533	24	26	123	233
					23.85	Pass	-54.80	201	534	25	26	126	234
				EVS	5.9	Pass	-56.45	224	571	26	26	149	271
					9.6	Pass	-56.45	369	665	26	26	294	365
					24.4	Pass	-56.45	368	664	26	26	293	364

**Note(s):**

- For LTE-FDD, it is observed that 6.60 kbps is the worst-case bit rate.
- For LTE-TDD, it is observed that 15.85 kbps is the worst-case bit rate.

**VoWiFi Codec Investigation**

VoWiFi Codec Investigation													
Band/Channel/ Bandwidth	Power Mode	Antenna	Orientation	Codec	Bitrate (kbps)	Frequency Response	Ambient Noise dB(A/m)	Primary Group Contiguous Pts	Secondary Group Contiguous Pts	Secondary Group Max Longitudinal	Secondary Group Max Transverse	Primary Group Contiguous Pts Margin	Secondary Group Contiguous Pts Margin
DSSS 1 Mbps Ch. 6 20 MHz BW	Mode A	ANT 3	Transverse	AMR-NB	4.75	Pass	-56.18	345	672	26	26	270	372
					7.4	Pass	-56.18	353	676	26	26	278	376
					12.2	Pass	-56.18	359	676	26	26	284	376
				AMR-WB	6.6	Pass	-56.38	290	670	26	26	215	370
					15.85	Pass	-56.38	294	668	26	26	219	368
					23.85	Pass	-56.38	299	673	26	26	224	373
				EVS	5.9	Pass	-56.38	295	672	26	26	220	372
					9.6	Pass	-56.18	368	676	26	26	293	376
					24.4	Pass	-56.18	365	676	26	26	290	376
BPSK 802.11a Ch. 36 6 Mbps	Mode A	ANT 6	Transverse	AMR-NB	4.75	Pass	-56.18	349	675	26	26	274	375
					7.4	Pass	-56.18	349	675	26	26	274	375
					12.2	Pass	-56.18	359	675	26	26	284	375
				AMR-WB	6.6	Pass	-56.38	292	676	26	26	217	376
					15.85	Pass	-56.38	302	676	26	26	227	376
					23.85	Pass	-56.38	287	661	26	26	212	361
				EVS	5.9	Pass	-56.38	309	676	26	26	234	376
					9.6	Pass	-56.18	370	675	26	26	295	375
					24.4	Pass	-56.18	365	675	26	26	290	375

**Note(s):**

- For Wi-Fi 2.4 GHz, it is observed that 6.60 kbps is the worst-case bit rate.
- For Wi-Fi 5 GHz, it is observed that 23.85 kbps is the worst-case bit rate.

### 9.1.3. Air Interface Investigation

A limited set of bands/channels/bandwidths were evaluated to confirm that there is no effect to the ABM levels when changing the band/channel/bandwidth.

#### W-CDMA Air Interface Investigation

W-CDMA Air Interface Investigation												
Mode:	Power Mode	Port/Antenna	Channel and Frequency	Orientation	Frequency Response	Ambient Noise dB(A/m)	Primary Group Contiguous Pts	Secondary Group Contiguous Pts	Secondary Group Max Longitudinal	Secondary Group Max Transverse	Primary Group Contiguous Pts Margin	Secondary Group Contiguous Pts Margin
W-CDMA Band II Rel. 99 AMR-WB: 6.6 kbps	Mode A	D (ANT 4)	9262 1852.4 MHz	Transverse	Pass	-56.37	289	668	26	26	214	368
			9400 1880.0 MHz	Transverse	Pass	-56.39	288	668	26	26	213	368
			9538 1907.6 MHz	Transverse	Pass	-56.39	286	665	26	26	211	365

**Note(s):**

- For all subsequent tests for W-CDMA, high channel was used in conjunction with the worst-case bit rate found in §9.1.2.

#### VoLTE Air Interface Investigation

VoLTE Air Interface Investigation															
Mode:	Bandwidth	Power Mode	Port/Antenna	Channel and Frequency	RB Allocation		Orientation	Frequency Response	Ambient Noise dB(A/m)	Primary Group Contiguous Pts	Secondary Group Contiguous Pts	Secondary Group Max Longitudinal	Secondary Group Max Transverse	Primary Group Contiguous Pts Margin	Secondary Group Contiguous Pts Margin
LTE Band 25 QPSK AMR-WB: 6.6 kbps	20 MHz	Mode A	D (ANT 4)	26365 1882.5 MHz	1	0	Transverse	Pass	-54.06	279	665	26	26	204	365
					100	0	Transverse	Pass	-54.06	282	668	26	26	207	368
LTE Band 25 16QAM AMR-WB: 6.6 kbps	20 MHz	Mode A	D (ANT 4)	26365 1882.5 MHz	1	0	Transverse	Pass	-54.06	284	672	26	26	209	372
LTE Band 25 64QAM AMR-WB: 6.6 kbps	20 MHz	Mode A	D (ANT 4)	26365 1882.5 MHz	1	0	Transverse	Pass	-54.06	280	668	26	26	205	368
LTE Band 25 256QAM AMR-WB: 6.6 kbps	20 MHz	Mode A	D (ANT 4)	26365 1882.5 MHz	1	0	Transverse	Pass	-54.06	289	674	26	26	214	374
LTE Band 25 QPSK AMR-WB: 6.6 kbps	1.4 MHz	Mode A	D (ANT 4)	26365 1882.5 MHz	1	0	Transverse	Pass	-54.06	281	671	26	26	206	371
LTE Band 41 QPSK AMR-WB: 15.85 kbps	20 MHz	Mode A	D (ANT 4)	40620 2593 MHz	1	0	Transverse	Pass	-54.80	198	533	24	26	123	233
					100	0	Transverse	Pass	-56.47	248	661	26	26	173	361
LTE Band 41 16QAM AMR-WB: 15.85 kbps	20 MHz	Mode A	D (ANT 4)	40620 2593 MHz	1	0	Transverse	Pass	-56.47	251	663	26	26	176	363
LTE Band 41 64QAM AMR-WB: 15.85 kbps	20 MHz	Mode A	D (ANT 4)	40620 2593 MHz	1	0	Transverse	Pass	-56.47	247	662	26	26	172	362
LTE Band 41 256QAM AMR-WB: 15.85 kbps	20 MHz	Mode A	D (ANT 4)	40620 2593 MHz	1	0	Transverse	Pass	-56.47	256	671	26	26	181	371
LTE Band 41 QPSK AMR-WB: 15.85 kbps	5 MHz	Mode A	D (ANT 4)	40620 2593 MHz	1	0	Transverse	Pass	-56.47	247	662	26	26	172	362

**Note(s):**

- For all subsequent tests for LTE-FDD, middle channel, QPSK modulation, and 1% RB size and low RB allocation was used in conjunction with the worst-case bit rate found in §9.1.2.
- For all subsequent tests for LTE-TDD, middle channel, QPSK modulation, and 1% RB size and low RB allocation was used in conjunction with the worst-case bit rate found in §9.1.2.

**VoWiFi Air Interface Investigation**

VoWiFi Air Interface Investigation														
Mode:	Channel and Frequency	Power Mode	Antenna	Modulation/Index	Data Rate	Orientation	Frequency Response	Ambient Noise dB(A/m)	Primary Group Contiguous Pts	Secondary Group Contiguous Pts	Secondary Group Max Longitudinal	Secondary Group Max Transverse	Primary Group Contiguous Pts Margin	Secondary Group Contiguous Pts Margin
802.11b AMR-WB: 6.6 kbps	6 2437 MHz	Power State 1 Mode A	ANT 3	DSSS	1 Mbps	Transverse	Pass	-56.38	290	670	26	26	215	370
				CCK	5.5 Mbps	Transverse	Pass	-56.38	291	673	26	26	216	373
					11 Mbps	Transverse	Pass	-56.38	291	675	26	26	216	375
802.11g AMR-WB: 6.6 kbps	6 2437 MHz	Power State 1 Mode A	ANT 3	DSSS	1 Mbps	Transverse	Pass	-56.38	294	676	26	26	219	376
802.11n AMR-WB: 6.6 kbps	6 2437 MHz	Power State 1 Mode A	ANT 3	MCS0	6.5 Mbps	Transverse	Pass	-56.38	293	676	26	26	218	376
802.11ax AMR-WB: 6.6 kbps	6 2437 MHz	Power State 1 Mode A	ANT 3	MCS0	7.3 Mbps	Transverse	Pass	-56.38	294	676	26	26	219	376
802.11a AMR-WB: 23.85 kbps	36 5180 MHz	Power State 1 Mode A	ANT 6	BPSK	6 Mbps	Transverse	Pass	-56.38	287	661	26	26	212	361
				QPSK	18 Mbps	Transverse	Pass	-56.38	302	676	26	26	227	376
				64QAM	54 Mbps	Transverse	Pass	-56.38	302	676	26	26	227	376
802.11n 20 MHz AMR-WB: 23.85 kbps	36 5180 MHz	Power State 1 Mode A	ANT 6	MCS3	26 Mbps	Transverse	Pass	-56.38	301	676	26	26	226	376
802.11n 40 MHz AMR-WB: 23.85 kbps	38 5190 MHz	Power State 1 Mode A	ANT 6	MCS3	54 Mbps	Transverse	Pass	-56.38	301	676	26	26	226	376
802.11ac 20 MHz AMR-WB: 23.85 kbps	36 5180 MHz	Power State 1 Mode A	ANT 6	MCS4	39 Mbps	Transverse	Pass	-56.38	302	676	26	26	227	376
802.11ac 40 MHz AMR-WB: 23.85 kbps	38 5190 MHz	Power State 1 Mode A	ANT 6	MCS4	108 Mbps	Transverse	Pass	-56.38	302	676	26	26	227	376
802.11ac 80 MHz AMR-WB: 23.85 kbps	42 5210 MHz	Power State 1 Mode A	ANT 6	MCS5	234 Mbps	Transverse	Pass	-56.38	302	676	26	26	227	376
802.11ac 160 MHz AMR-WB: 23.85 kbps	50 5250 MHz	Power State 1 Mode A	ANT 6	MCS5	468 Mbps	Transverse	Pass	-56.18	289	673	26	26	214	373
802.11ax 20 MHz AMR-WB: 23.85 kbps	36 5180 MHz	Power State 1 Mode A	ANT 6	MCS6	77 Mbps	Transverse	Pass	-56.18	291	675	26	26	216	375
802.11ax 40 MHz AMR-WB: 23.85 kbps	38 5190 MHz	Power State 1 Mode A	ANT 6	MCS6	155 Mbps	Transverse	Pass	-56.18	293	675	26	26	218	375
802.11ax 80 MHz AMR-WB: 23.85 kbps	42 5210 MHz	Power State 1 Mode A	ANT 6	MCS6	324 Mbps	Transverse	Pass	-56.18	293	676	26	26	218	376
802.11ax 160 MHz AMR-WB: 23.85 kbps	50 5250 MHz	Power State 1 Mode A	ANT 6	MCS6	649 Mbps	Transverse	Pass	-56.18	294	676	26	26	219	376

**Note(s):**

- For all subsequent tests for Wi-Fi 2.4 GHz, 802.11b DSSS 1 Mbps was used in conjunction with the worst-case bit rate found in §9.1.2.
  - 802.11be has the same max output power, supports the same channel BWs (20MHz) and multiplexing as 802.11ax. Therefore, 802.11ax test results are representative of 802.11be.
- For all subsequent tests for Wi-Fi 5 GHz, 802.11a BPSK 6 Mbps was used in conjunction with the worst-case bit rate found in §9.1.2.
  - 802.11be has the same max output power, supports the same channel BWs (20/40/80/160MHz) and multiplexing as 802.11ax. Therefore, 802.11ax test results are representative of 802.11be.

## 9.2. OTT Application

CMRS and OTT voice services support the same technologies, antennas and air interfaces. CMRS and OTT voice services require the same Reference input level of -16 dBm0 per ANSI C63.19 2019 §6.

Antenna, Codec (bit rates) and Air Interface investigations were conducted on CMRS voice services for supported technologies (Codec bit rate was measured separately for OTT voice services). For all subsequent OTT voice service testing, the worst-case CMRS Air interface configurations were used in conjunction with the worst-case bit rate found in §9.2.1 below.

### 9.2.1. Codec Investigation

The OTT Application did not support a means for the test lab to change the codec's (ACC-ELD) bit rates. When a VoIP call was established, the test lab recorded the bit rate used during that session, listed below, for the supported technologies: GSM, W-CDMA, LTE, 5G NR, Wi-Fi 2.4 GHz, and Wi-Fi 5 GHz

#### Codec Bit Rates

Codec Bit Rate			
Technology	Mode	Codec	Bit Rate (kbps)
GSM	EDGE	ACC-ELD	24
W-CDMA	HSPA	ACC-ELD	24
LTE	FDD	ACC-ELD	24
	TDD	ACC-ELD	24
5G NR	FDD	ACC-ELD	24
	TDD	ACC-ELD	24
Wi-Fi 2.4 GHz	802.11b	ACC-ELD	39
	802.11g	ACC-ELD	39
	802.11n	ACC-ELD	39
	802.11ax	ACC-ELD	39
Wi-Fi 5 GHz	802.11a	ACC-ELD	39
	802.11n HT20	ACC-ELD	39
	802.11n HT40	ACC-ELD	39
	802.11ac VHT20	ACC-ELD	39
	802.11ac VHT40	ACC-ELD	39
	802.11ac VHT80	ACC-ELD	39
	802.11ac VHT160	ACC-ELD	39
	802.11ax HE20	ACC-ELD	39
	802.11ax HE40	ACC-ELD	39
	802.11ax HE80	ACC-ELD	39
	802.11ax HE160	ACC-ELD	39

For all subsequent OTT testing, the measured bit rates above were used in conjunction with the worst-case air interfaces found in §9.1.3. Refer to §10 for OTT T-Coil Test Results.

### 10. HAC (T-coil) Test Results

Antenna, Codec (bit rates) and Air Interface investigations were conducted on CMRS voice services (Codec bit rate was measured separately for OTT voice services refer to §9.2.1). The worst-case antenna, codec (bit rate) and air interface configurations were used for final T-Coil testing for CMRS and OTT voice services. Please refer to tables below for final T-Coil Test Results.

#### GSM/W-CDMA Test Results

##### CMRS

Mode:	Channel and Frequency	Power Mode	Port/Antenna	Orientation	Frequency Response	Ambient Noise dB(A/m)	Primary Group Contiguous Pts	Secondary Group Contiguous Pts	Secondary Group Max Longitudinal	Secondary Group Max Transverse	Primary Group Contiguous Pts Margin	Secondary Group Contiguous Pts Margin	Plot Page #
GSM 850 Voice Coder Speechcodec Low	190 836.6 MHz	Mode A	B (ANT 2)	Transverse	Pass	-54.06	356	632	26	26	331	507	
GSM 1900 Voice Coder Speechcodec Low	661 1880 MHz	Mode A	D (ANT 4)	Transverse	Pass	-54.06	312	588	26	26	287	463	
W-CDMA Band II Rel. 99 AMR-WB: 6.6 kbps	9538 1907.6 MHz	Mode A	D (ANT 4)	Transverse	Pass	-56.39	286	665	26	26	211	365	
W-CDMA Band IV Rel. 99 AMR-WB: 6.6 kbps	1513 1752.6 MHz	Mode A	D (ANT 4)	Transverse	Pass	-56.39	286	667	26	26	211	367	
W-CDMA Band V Rel. 99 AMR-WB: 6.6 kbps	4233 846.6 MHz	Mode A	B (ANT 2)	Transverse	Pass	-56.39	285	667	26	26	210	367	

##### OTT

Mode:	Channel and Frequency	Power Mode	Port/Antenna	Orientation	Frequency Response	Ambient Noise dB(A/m)	Primary Group Contiguous Pts	Secondary Group Contiguous Pts	Secondary Group Max Longitudinal	Secondary Group Max Transverse	Primary Group Contiguous Pts Margin	Secondary Group Contiguous Pts Margin	Plot Page #
GSM 850 EGDE/EGPRS ACC-ELD: 24 kbps	190 836.6 MHz	Mode A	B (ANT 2)	Transverse	Pass	-56.38	179	671	26	26	154	546	1 - 2
GSM 1900 EGDE/EGPRS ACC-ELD: 24 kbps	661 1880 MHz	Mode A	D (ANT 4)	Transverse	Pass	-56.38	180	661	26	26	155	536	3 - 4
W-CDMA Band II HSPA+ ACC-ELD: 24 kbps	9538 1907.6 MHz	Mode A	D (ANT 4)	Transverse	Pass	-56.38	192	676	26	26	117	376	5 - 6
W-CDMA Band IV HSPA+ ACC-ELD: 24 kbps	1513 1752.6 MHz	Mode A	D (ANT 4)	Transverse	Pass	-56.38	187	676	26	26	112	376	7 - 8
W-CDMA Band V HSPA+ ACC-ELD: 24 kbps	4233 846.6 MHz	Mode A	B (ANT 2)	Transverse	Pass	-56.38	189	673	26	26	114	373	9 - 10

#### LTE (VoLTE) Test Results

##### CMRS

Mode:	Bandwidth (Data Rate)	Power Mode	Port/Antenna	Channel and Frequency	RB Allocation	Orientation	Frequency Response	Ambient Noise dB(A/m)	Primary Group Contiguous Pts	Secondary Group Contiguous Pts	Secondary Group Max Longitudinal	Secondary Group Max Transverse	Primary Group Contiguous Pts Margin	Secondary Group Contiguous Pts Margin	Plot Page #
LTE Band 7 QPSK AMR-WB: 6.6 kbps	20 MHz	Mode A	D (ANT 4)	21100 2535 MHz	1 0	Transverse	Pass	-54.80	271	652	26	26	196	352	
LTE Band 12 QPSK AMR-WB: 6.6 kbps	10 MHz	Mode A	B (ANT 2)	23095 707.5 MHz	1 0	Transverse	Pass	-54.80	276	659	26	26	201	359	
LTE Band 13 QPSK AMR-WB: 6.6 kbps	10 MHz	Mode A	B (ANT 2)	23230 782 MHz	1 0	Transverse	Pass	-54.80	283	665	26	26	208	365	
LTE Band 14 QPSK AMR-WB: 6.6 kbps	10 MHz	Mode A	B (ANT 2)	23330 793 MHz	1 0	Transverse	Pass	-54.80	282	665	26	26	207	365	
LTE Band 25 QPSK AMR-WB: 6.6 kbps	20 MHz	Mode A	D (ANT 4)	26365 1882.5 MHz	1 0	Transverse	Pass	-54.06	279	665	26	26	204	365	
LTE Band 26 QPSK AMR-WB: 6.6 kbps	15 MHz	Mode A	B (ANT 2)	26865 831.5 MHz	1 0	Transverse	Pass	-54.80	286	667	26	26	211	367	
LTE Band 30 QPSK AMR-WB: 6.6 kbps	10 MHz	Mode A	D (ANT 4)	27710 2310 MHz	1 0	Transverse	Pass	-54.80	283	667	26	26	208	367	
LTE Band 41 PC3 QPSK AMR-WB: 15.85 kbps	20 MHz	Mode A	D (ANT 4)	40620 2593 MHz	1 0	Transverse	Pass	-54.80	198	533	24	26	123	233	
LTE Band 41 PC2 QPSK AMR-WB: 15.85 kbps	20 MHz	Mode A	D (ANT 4)	40620 2593 MHz	1 0	Transverse	Pass	-54.80	191	523	25	26	116	223	
LTE Band 46 PC3 QPSK AMR-WB: 15.85 kbps	20 MHz	Mode A	D (ANT 4)	55990 3625 MHz	1 0	Transverse	Pass	-54.80	292	663	26	26	217	363	
LTE Band 53 PC3 QPSK AMR-WB: 15.85 kbps	10 MHz	Mode A	B (ANT 2)	60197 2489.2 MHz	1 0	Transverse	Pass	-54.80	296	667	26	26	221	367	
LTE Band 66 QPSK AMR-WB: 6.6 kbps	20 MHz	Mode A	D (ANT 4)	132322 1745 MHz	1 0	Transverse	Pass	-54.80	284	667	26	26	209	367	
LTE Band 71 QPSK AMR-WB: 6.6 kbps	20 MHz	Mode A	B (ANT 2)	133297 680.5 MHz	1 0	Transverse	Pass	-54.80	286	667	26	26	211	367	

**OTT**

Mode:	Bandwidth (Data Rate)	Power Mode	Port/Antenna	Channel and Frequency	RB Allocation	Orientation	Frequency Response	Ambient Noise dB(A/m)	Primary Group Contiguous Pts	Secondary Group Contiguous Pts	Secondary Group Max Longitudinal	Secondary Group Max Transverse	Primary Group Contiguous Pts Margin	Secondary Group Contiguous Pts Margin	Plot Page #
LTE Band 7 QPSK ACC-ELD: 24 kbps	20 MHz	Mode A	D (ANT 4)	21100 2535 MHz	1 0	Transverse	Pass	-56.38	183	668	26	26	108	368	11 - 12
LTE Band 12 QPSK ACC-ELD: 24 kbps	10 MHz	Mode A	B (ANT 2)	23095 707.5 MHz	1 0	Transverse	Pass	-56.38	189	674	26	26	114	374	13 - 14
LTE Band 13 QPSK ACC-ELD: 24 kbps	10 MHz	Mode A	B (ANT 2)	23230 782 MHz	1 0	Transverse	Pass	-56.38	189	674	26	26	114	374	15 - 16
LTE Band 14 QPSK ACC-ELD: 24 kbps	10 MHz	Mode A	B (ANT 2)	23330 793 MHz	1 0	Transverse	Pass	-56.38	189	674	26	26	114	374	17 - 18
LTE Band 25 QPSK ACC-ELD: 24 kbps	20 MHz	Mode A	D (ANT 4)	26365 1882.5 MHz	1 0	Transverse	Pass	-56.38	176	656	26	26	101	356	19 - 20
LTE Band 26 QPSK ACC-ELD: 24 kbps	15 MHz	Mode A	B (ANT 2)	26865 831.5 MHz	1 0	Transverse	Pass	-56.38	188	673	26	26	113	373	21 - 22
LTE Band 30 QPSK ACC-ELD: 24 kbps	10 MHz	Mode A	D (ANT 4)	27710 2310 MHz	1 0	Transverse	Pass	-56.38	189	674	26	26	114	374	23 - 24
LTE Band 41 PC3 QPSK ACC-ELD: 24 kbps	20 MHz	Mode A	D (ANT 4)	40620 2593 MHz	1 0	Transverse	Pass	-56.38	160	626	26	26	85	326	25 - 26
LTE Band 41 PC2 QPSK ACC-ELD: 24 kbps	20 MHz	Mode A	D (ANT 4)	40620 2593 MHz	1 0	Transverse	Pass	-56.38	162	628	26	26	87	328	27 - 28
LTE Band 48 PC3 QPSK ACC-ELD: 24 kbps	20 MHz	Mode A	D (ANT 4)	55990 3625 MHz	1 0	Transverse	Pass	-56.38	159	608	26	26	84	308	29 - 30
LTE Band 53 PC3 QPSK ACC-ELD: 24 kbps	10 MHz	Mode A	B (ANT 2)	60197 2489.2 MHz	1 0	Transverse	Pass	-56.38	192	676	26	26	117	376	31 - 32
LTE Band 66 QPSK ACC-ELD: 24 kbps	20 MHz	Mode A	D (ANT 4)	132322 1745 MHz	1 0	Transverse	Pass	-56.38	178	659	26	26	103	359	33 - 34
LTE Band 71 QPSK ACC-ELD: 24 kbps	20 MHz	Mode A	B (ANT 2)	133297 680.5 MHz	1 0	Transverse	Pass	-56.38	189	673	26	26	114	373	35 - 36

**5G NR (VoNR) Test Results**

**CMRS**

Mode:	Bandwidth (Data Rate)	SCS (kHz)	Power Mode	Port/Antenna	Channel and Frequency	RB Allocation	Orientation	Frequency Response	Ambient Noise dB(A/m)	Primary Group Contiguous Pts	Secondary Group Contiguous Pts	Secondary Group Max Longitudinal	Secondary Group Max Transverse	Primary Group Contiguous Pts Margin	Secondary Group Contiguous Pts Margin	Plot Page #
NR Band n25 DFT-s π/2 BPSK AMR-WB: 6.6 kbps	40 MHz	15	Mode A	D (ANT 4)	376500 1882.5 MHz	1 1	Transverse	Pass	-55.68	259	666	26	26	184	366	
NR Band n30 DFT-s π/2 BPSK AMR-WB: 6.6 kbps	10 MHz	15	Mode A	D (ANT 4)	462000 2310 MHz	1 1	Transverse	Pass	-55.68	255	662	26	26	180	362	
NR Band n41 PC3 DFT-s π/2 BPSK AMR-WB: 15.85 kbps	100 MHz	30	Mode A	D (ANT 4)	518598 2592.99 MHz	1 1	Transverse	Pass	-55.68	255	662	26	26	180	362	
NR Band n41 PC2 DFT-s π/2 BPSK AMR-WB: 15.85 kbps	100 MHz	30	Mode A	D (ANT 4)	518598 2592.99 MHz	1 1	Transverse	Pass	-55.68	233	638	26	26	158	338	
NR Band n71 DFT-s π/2 BPSK AMR-WB: 6.6 kbps	20 MHz	15	Mode A	B (ANT 2)	136100 680.5 MHz	1 1	Transverse	Pass	-55.68	258	666	26	26	183	366	
NR Band n77 Block C PC2 DFT-s π/2 BPSK AMR-WB: 15.85 kbps	100 MHz	30	Mode A	D (ANT 4)	657734 3866.01 MHz	1 1	Transverse	Pass	-55.68	252	659	26	26	177	359	

**OTT**

Mode:	Bandwidth (MHz)	SCS (kHz)	Power Mode	Port/Antenna	Channel and Frequency	RB Allocation	Orientation	Frequency Response	Ambient Noise dB(A/m)	Primary Group Contiguous Pts	Secondary Group Contiguous Pts	Secondary Group Max Longitudinal	Secondary Group Max Transverse	Primary Group Contiguous Pts Margin	Secondary Group Contiguous Pts Margin	Plot Page #
NR Band n25 DFT-s π/2 BPSK ACC-ELD: 23 kbps	40 MHz	15	Mode A	D (ANT 4)	376500 1882.5 MHz	1 1	Transverse	Pass	-56.27	190	673	26	26	115	373	37 - 38
NR Band n30 DFT-s π/2 BPSK ACC-ELD: 23 kbps	10 MHz	15	Mode A	D (ANT 4)	462000 2310 MHz	1 1	Transverse	Pass	-56.27	188	673	26	26	113	373	39 - 40
NR Band n41 PC3 DFT-s π/2 BPSK ACC-ELD: 23 kbps	100 MHz	30	Mode A	D (ANT 4)	518598 2592.99 MHz	1 1	Transverse	Pass	-56.27	184	668	26	26	109	368	41 - 42
NR Band n41 PC2 DFT-s π/2 BPSK ACC-ELD: 23 kbps	100 MHz	30	Mode A	D (ANT 4)	518598 2592.99 MHz	1 1	Transverse	Pass	-56.27	160	619	26	26	85	319	43 - 44
NR Band n71 DFT-s π/2 BPSK ACC-ELD: 23 kbps	20 MHz	15	Mode A	B (ANT 2)	136100 680.5 MHz	1 1	Transverse	Pass	-56.27	189	673	26	26	114	373	45 - 46
NR Band n77 Block C PC2 DFT-s π/2 BPSK ACC-ELD: 23 kbps	100 MHz	30	Mode A	D (ANT 4)	657734 3866.01 MHz	1 1	Transverse	Pass	-56.27	180	647	26	26	105	347	47 - 48

**Note(s):**

The DUT supports 5G NR, Voice over New Radio (VoNR). Per the manufacturer, 5G NR (VoNR) uses the same protocol, Codec(s) and bitrates as LTE (VoLTE). Investigations were performed on LTE (VoLTE) and the worst-case Port/Antenna/Codec/Air Interface configurations from LTE (VoLTE) was used for 5G NR (VoNR) evaluations. A limited set of 5G NR (VoNR) bands were evaluated to confirm 5G NR (VoNR) compliance.

- At least one 5G NR (VoNR)-FDD LB, MB and HB were evaluated for CMRS and OTT voice services.
- At least one 5G NR (VoNR)-TDD HB and UIHB were evaluated for CMRS and OTT voice services.

**Wi-Fi (VoWiFi) Test Results**

**CMRS**

Mode:	Channel and Frequency	Data Rate	Power Mode	Antenna	Orientation	Frequency Response	Ambient Noise dB(A/m)	Primary Group Contiguous Pts	Secondary Group Contiguous Pts	Secondary Group Max Longitudinal	Secondary Group Max Transverse	Primary Group Contiguous Pts Margin	Secondary Group Contiguous Pts Margin	Plot Page #
802.11b AMR-WB: 6.6 kbps	6 2437 MHz	DSSS 1 Mbps	Power State 1 Mode A	ANT 3	Transverse	Pass	-56.38	290	670	26	26	215	370	
802.11a AMR-WB: 23.85 kbps	36 5180 MHz	BPSK 6 Mbps	Power State 1 Mode A	ANT 6	Transverse	Pass	-56.38	287	661	26	26	212	361	
	52 5260 MHz	BPSK 6 Mbps	Power State 1 Mode A	ANT 6	Transverse	Pass	-56.38	303	676	26	26	228	376	
	100 5500 MHz	BPSK 6 Mbps	Power State 1 Mode A	ANT 6	Transverse	Pass	-56.38	300	676	26	26	225	376	
	149 5745 MHz	BPSK 6 Mbps	Power State 1 Mode A	ANT 6	Transverse	Pass	-56.38	300	676	26	26	225	376	
	1 5955 MHz	BPSK 6 Mbps	Power State 1 Mode A	ANT 6	Transverse	Pass	-56.38	253	672	26	26	178	372	

**OTT**

Mode:	Channel and Frequency	Data Rate	Power Mode	Antenna	Orientation	Frequency Response	Ambient Noise dB(A/m)	Primary Group Contiguous Pts	Secondary Group Contiguous Pts	Secondary Group Max Longitudinal	Secondary Group Max Transverse	Primary Group Contiguous Pts Margin	Secondary Group Contiguous Pts Margin	Plot Page #
802.11b ACC-ELD: 39 kbps	6 2437 MHz	DSSS 1 Mbps	Power State 1 Mode A	ANT 3	Transverse	Pass	-56.27	172	655	26	26	97	355	49 - 50
802.11a ACC-ELD: 39 kbps	36 5180 MHz	BPSK 6 Mbps	Power State 1 Mode A	ANT 6	Transverse	Pass	-56.27	194	676	26	26	119	376	51 - 52
	52 5260 MHz	BPSK 6 Mbps	Power State 1 Mode A	ANT 6	Transverse	Pass	-56.27	194	676	26	26	119	376	53 - 54
	100 5500 MHz	BPSK 6 Mbps	Power State 1 Mode A	ANT 6	Transverse	Pass	-56.27	194	676	26	26	119	376	55 - 56
	149 5745 MHz	BPSK 6 Mbps	Power State 1 Mode A	ANT 6	Transverse	Pass	-56.27	187	669	26	26	112	369	57 - 58
	1 5955 MHz	BPSK 6 Mbps	Power State 1 Mode A	ANT 6	Transverse	Pass	-56.27	194	676	26	26	119	376	59 - 60



### 10.1. Worst Case T-Coil Test Plot(s)

UL Verification Services Inc. SAR Lab 11

Date/Time: August 20, 2024 at 08:55

## T-Coil Signal Test Report: LTE-TDD (SC-FDMA, 1 RB, 20 MHz, QPSK, UL Subframe=2,3,4,7,8,9)

#### Device Under Test

Manufacturer	Model	Dimensions [mm]	Speaker Position [mm]
		146.2 x 71.8 x 7.5	144.3

#### Hardware Setup

Probe Name	Probe Calibration Date	DAE Name	DAE Calibration Date
AM1DV3 - 3083	January 08, 2024	DAE4 Sn1352	November 15, 2023

#### Communication Systems

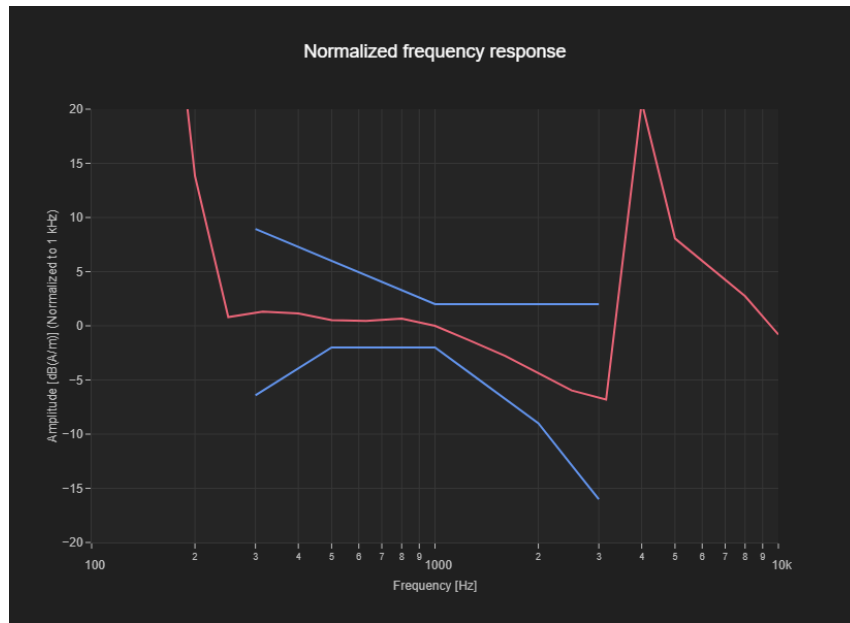
Band Name	Communication Systems Name	Channel	Frequency [MHz]
Band 48, E-UTRA/TDD PC3	LTE-TDD (SC-FDMA, 1 RB, 20 MHz, QPSK, UL Subframe=2,3,4,7,8,9)	55990	3625.0

#### Grid Settings

Extent X [mm]	Extent Y [mm]	Step X [mm]	Step Y [mm]	Distance [mm]
52.0	52.0	4.0	4.0	10.0

#### Results

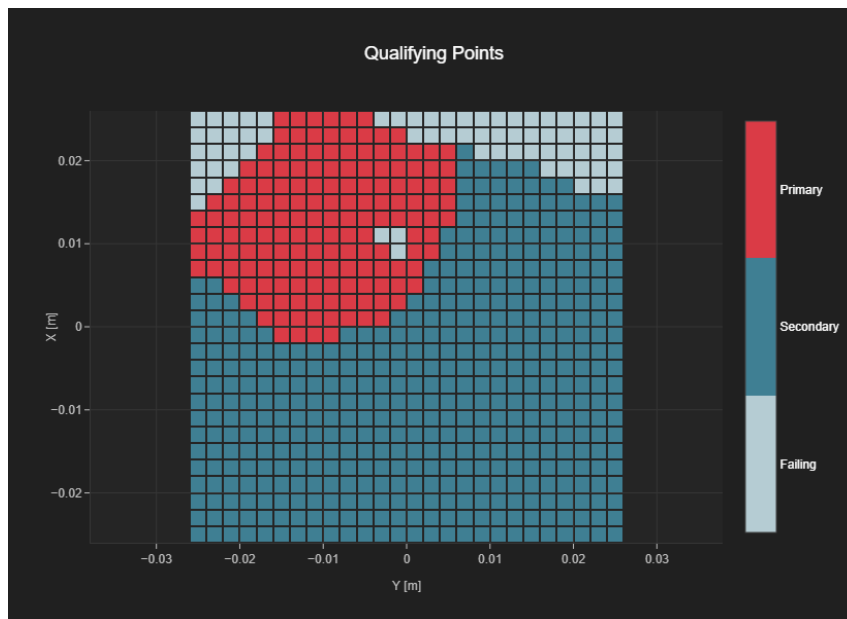
Audio File	Measurement Duration [s]	Margin Upper Bound [dB]	Margin Lower Bound [dB]
48k_voice_300-3000_2s.wav	2.0	2.0	2.0



### T-Coil Coupling Mode Test Report:

#### Results

Primary Group Contiguous Point Count	Secondary Group Point Count	Secondary Group Max Longitudinal	Secondary Group Max Transverse
159	608	26	26



## **Appendix**

Refer to separated files for the following appendixes.

### **Appendix A: T-Coil Setup Photo**

### **Appendix B: T-Coil Test Plots**

### **Appendix C: T-Coil Probe Certificates**

**END OF REPORT**