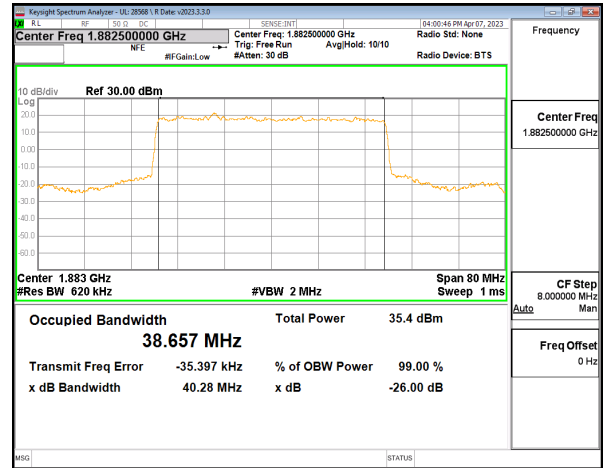
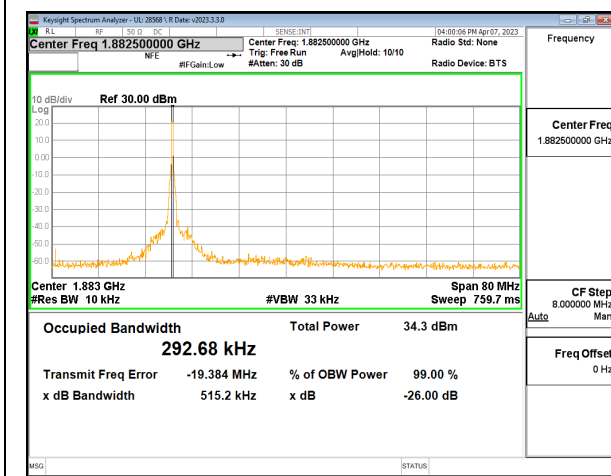


5G NR n25 35MHz BPSK Middle Channel RB180-0



5G NR n25 40MHz BPSK Middle Channel RB216-0

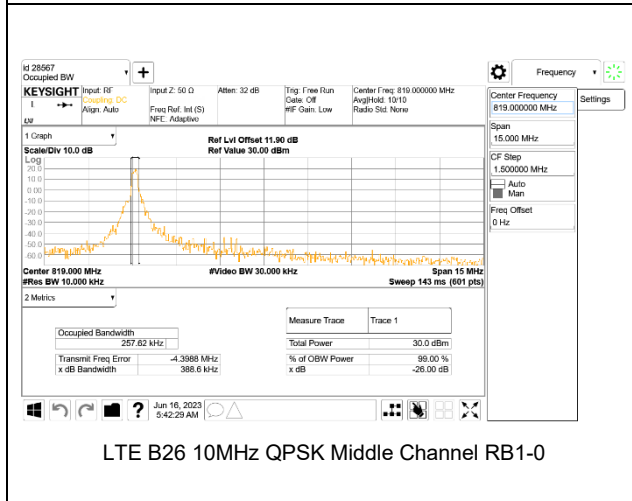
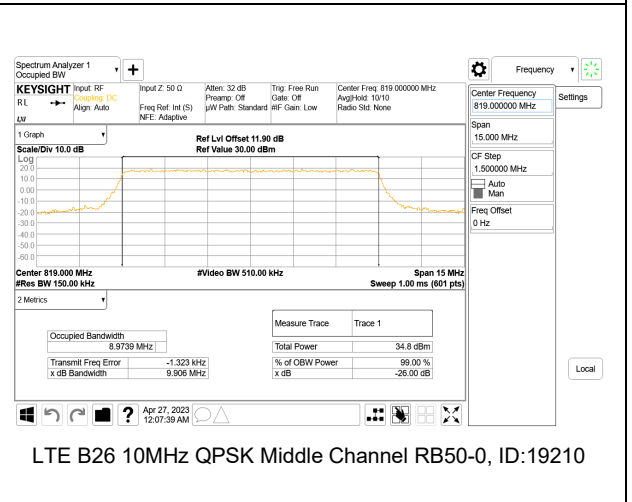
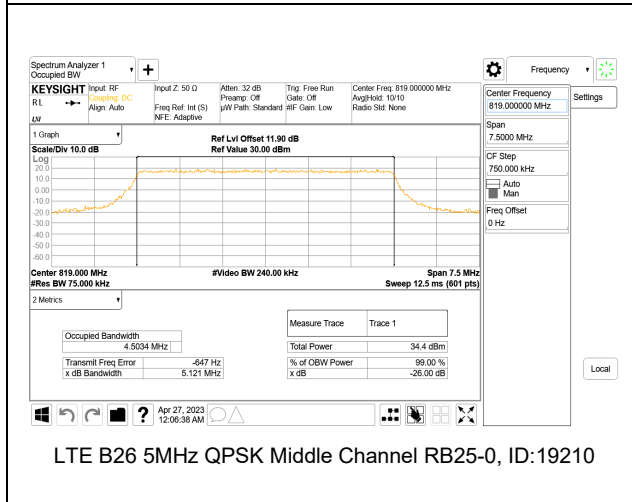
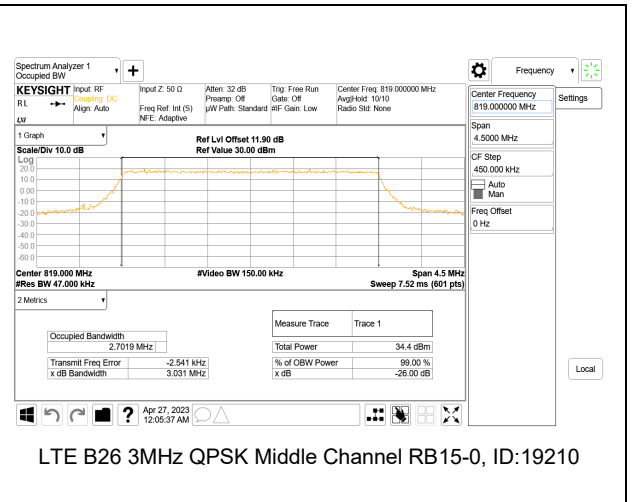
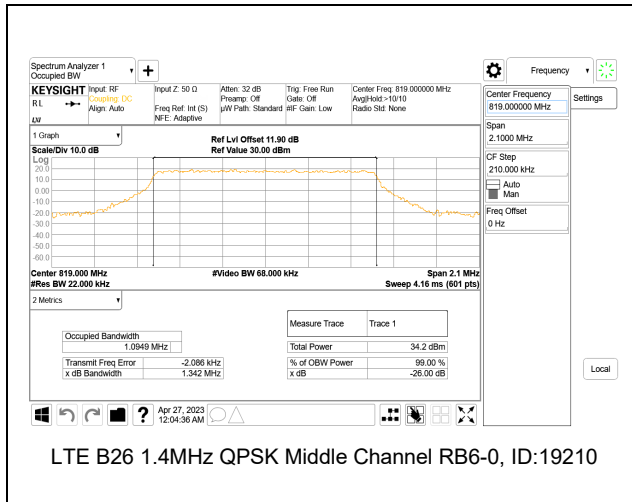


5G NR n25 40MHz BPSK Middle Channel RB1-0

Intentionally Blank

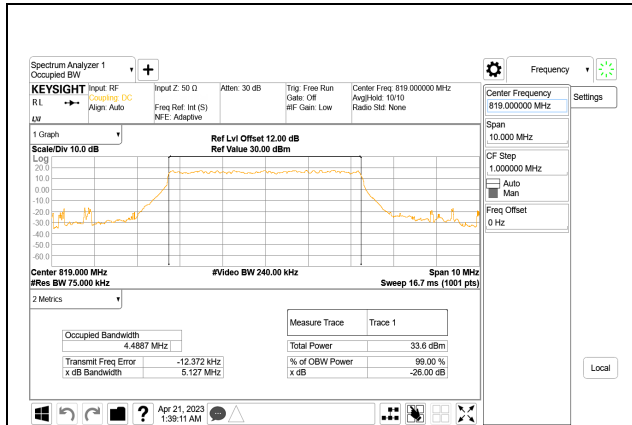
9.1.7. LTE BAND 26 AND 5G NR n26 (PART 90S)

LTE BAND 26

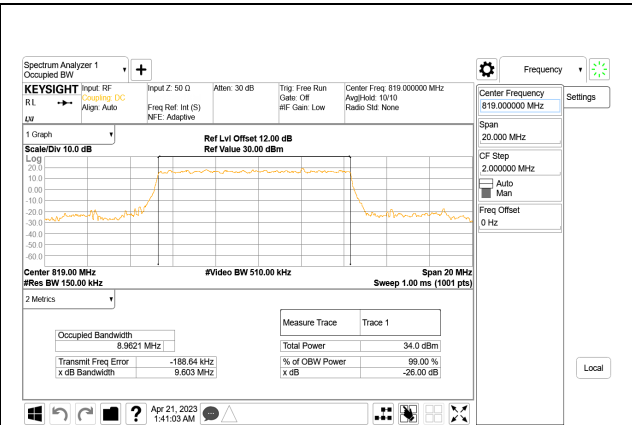


Intentionally Blank

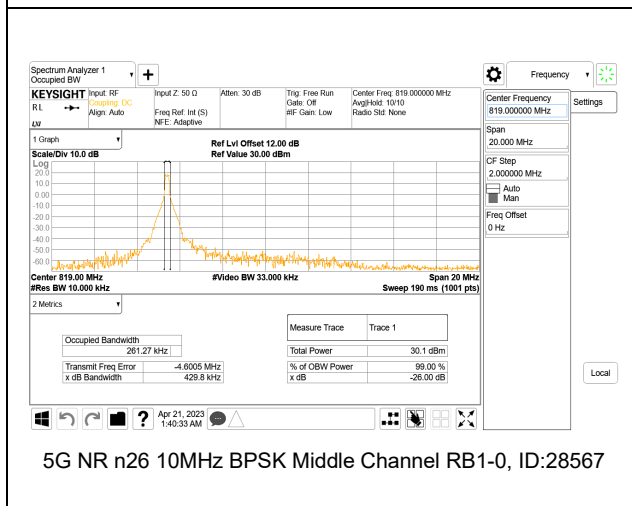
5G NR n26



5G NR n26 5MHz BPSK Middle Channel RB25-0, ID:28567



5G NR n26 10MHz BPSK Middle Channel RB50-0, ID:28567

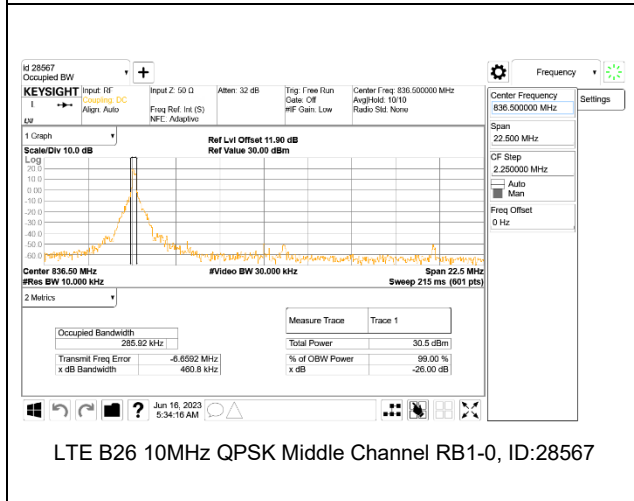
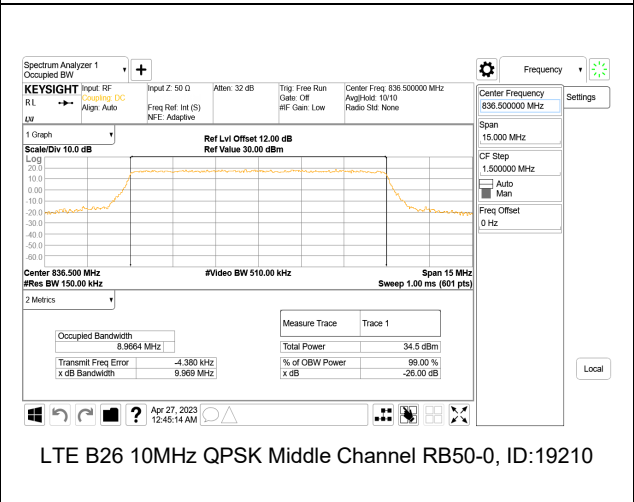
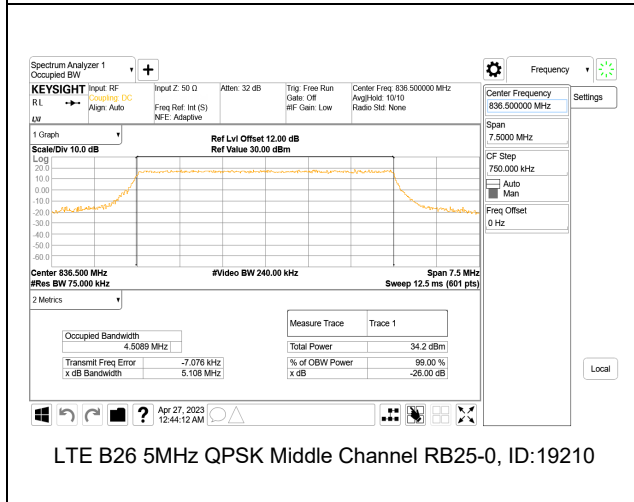
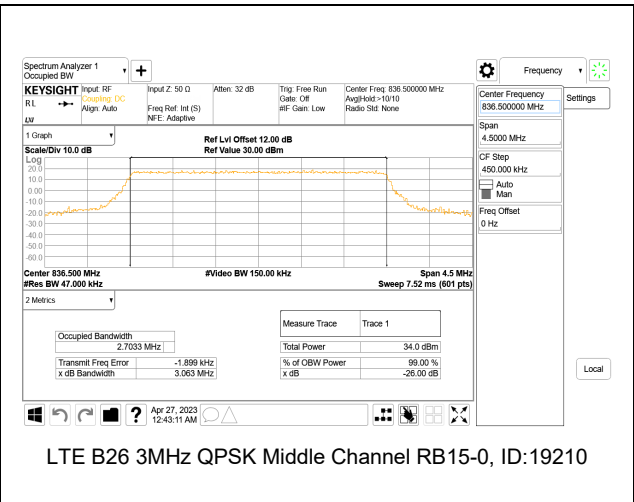
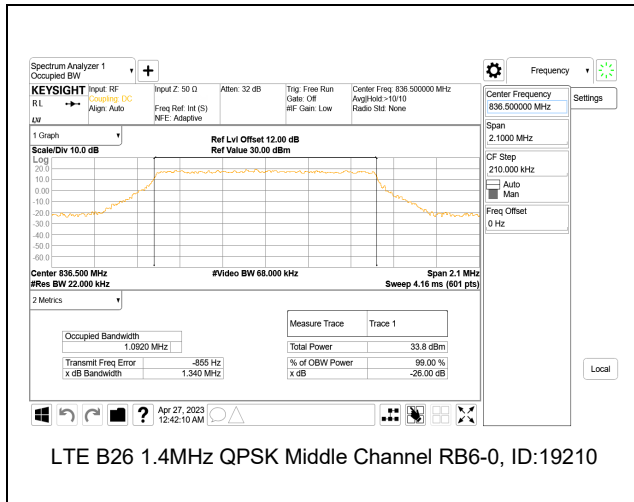


5G NR n26 10MHz BPSK Middle Channel RB1-0, ID:28567

Intentionally Blank

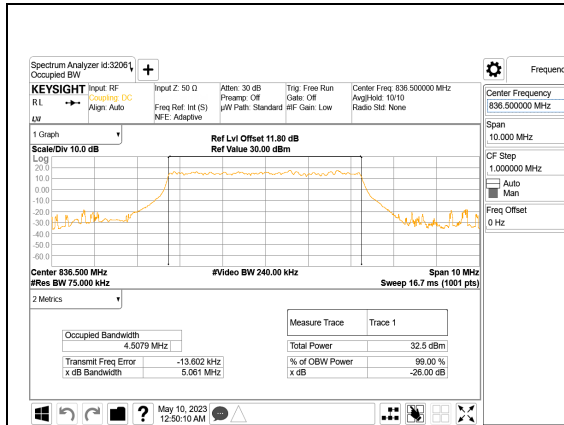
9.1.8. LTE BAND 26 AND 5G NR n26 (PART 22)

LTE BAND 26

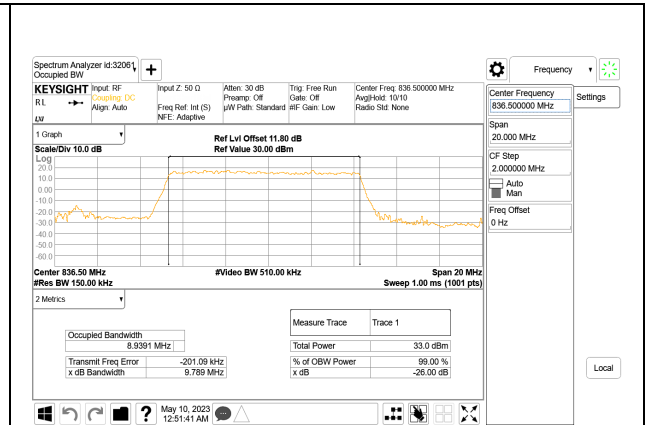


Intentionally Blank

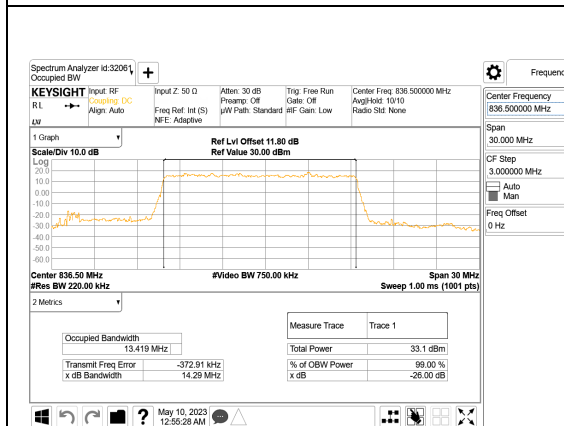
5G NR n26



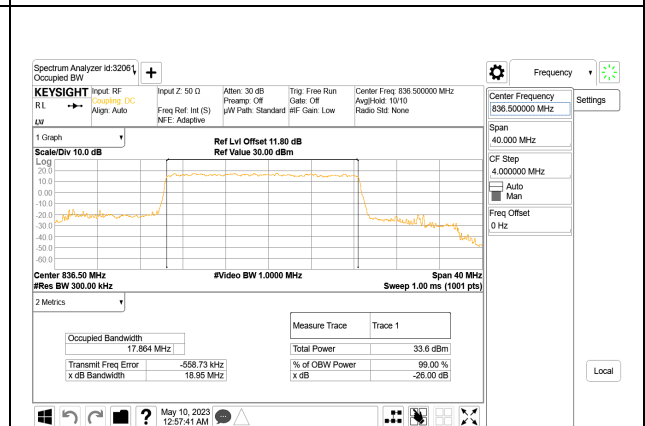
5G NR n26 5MHz BPSK Middle Channel RB25-0



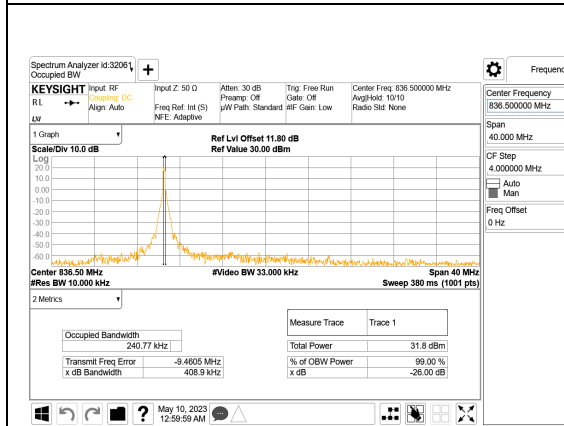
5G NR n26 10MHz BPSK Middle Channel RB50-0



5G NR n26 15MHz BPSK Middle Channel RB75-0



5G NR n26 20MHz BPSK Middle Channel RB100-0

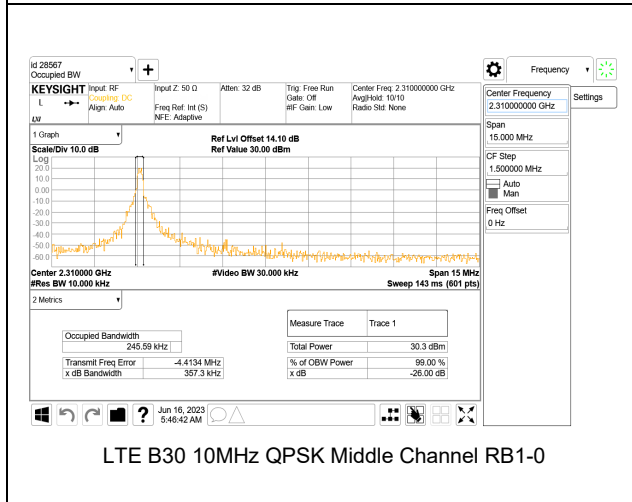
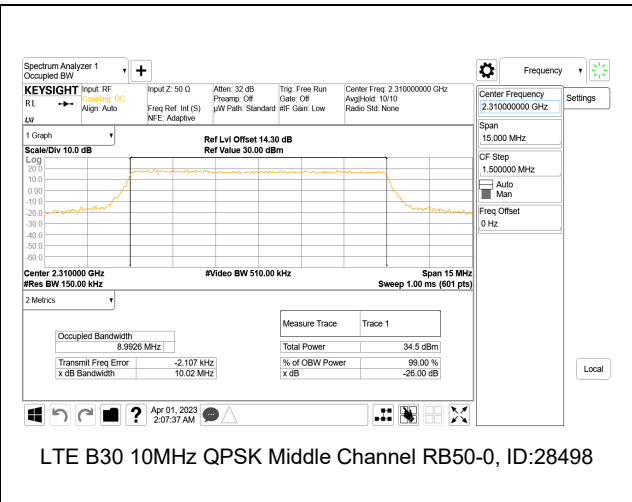
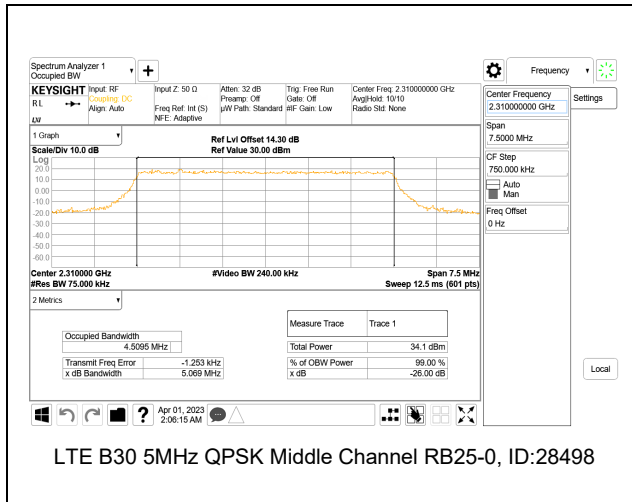


5G NR n26 20MHz Middle High Channel RB1-0

Intentionally Blank

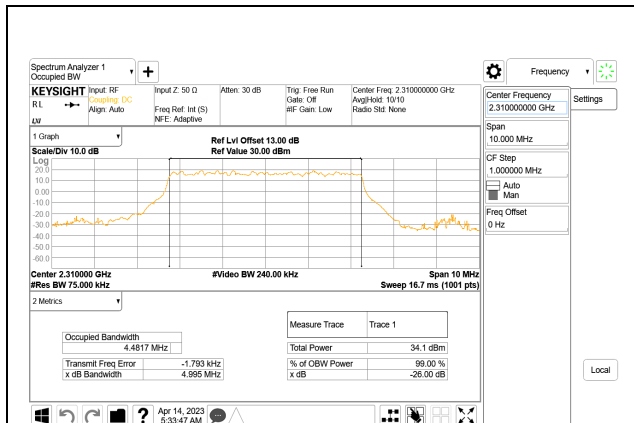
9.1.9. LTE BAND 30 AND 5G NR n30

LTE BAND 30

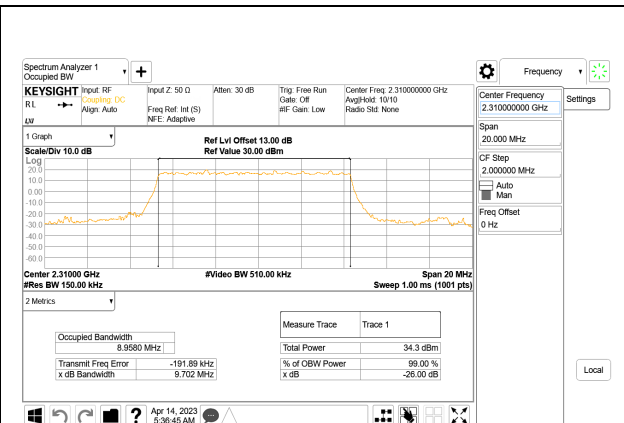


Intentionally Blank

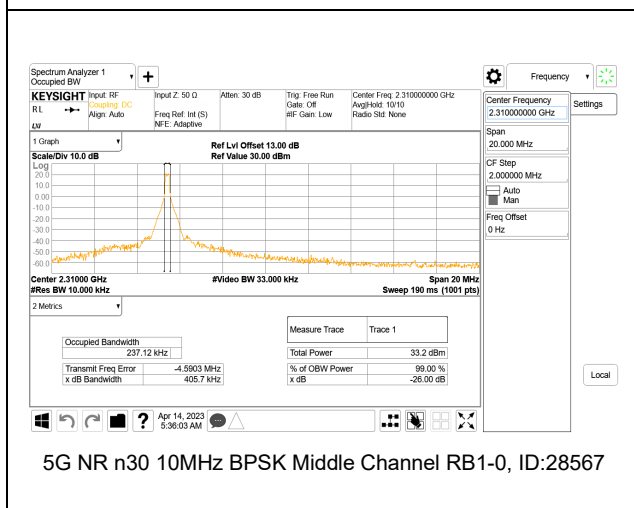
5G NR n30



5G NR n30 5MHz BPSK Middle Channel RB25-0, ID:28567



5G NR n30 10MHz BPSK Middle Channel RB50-0, ID:28567

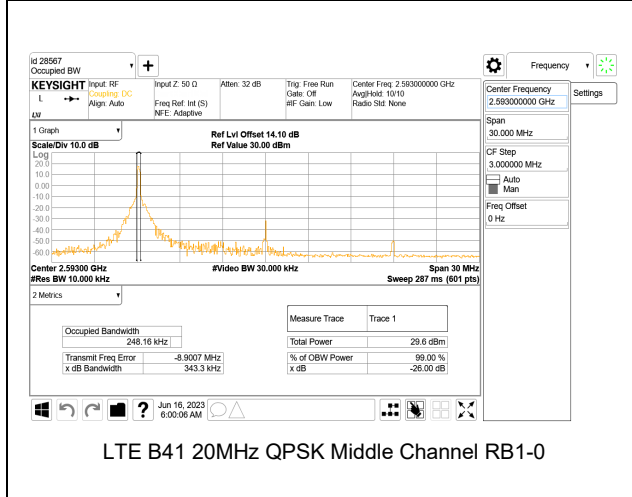
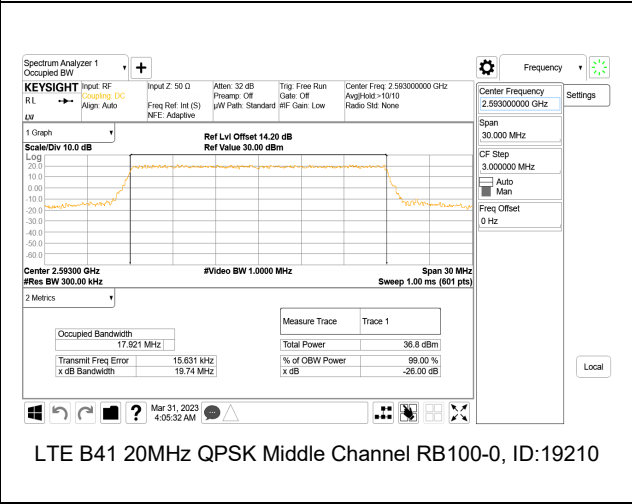
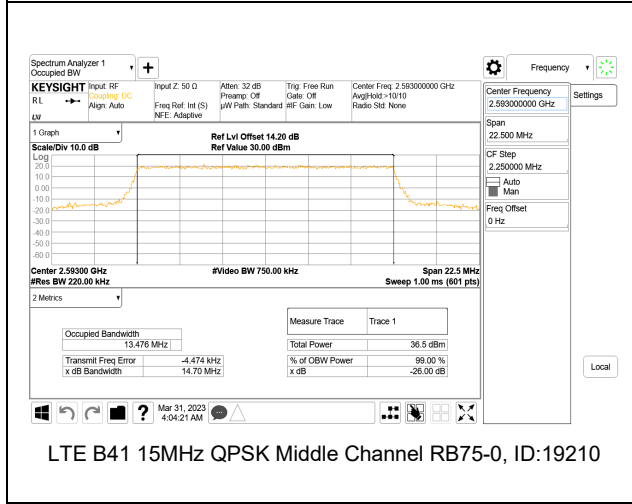
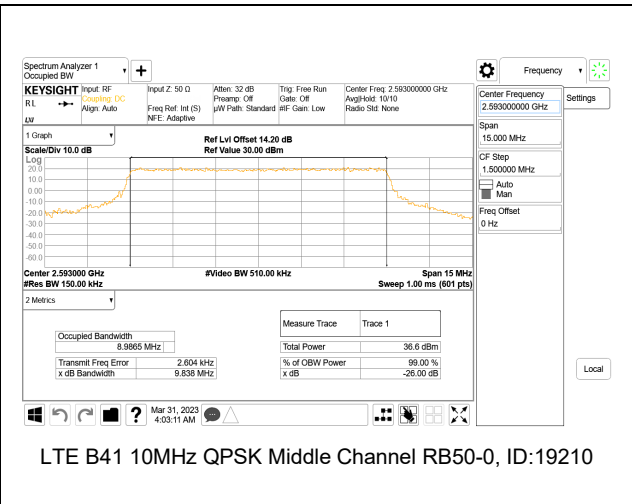
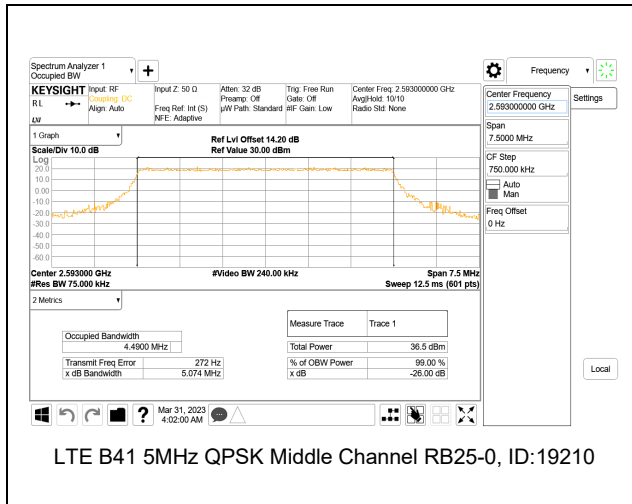


5G NR n30 10MHz BPSK Middle Channel RB1-0, ID:28567

Intentionally Blank

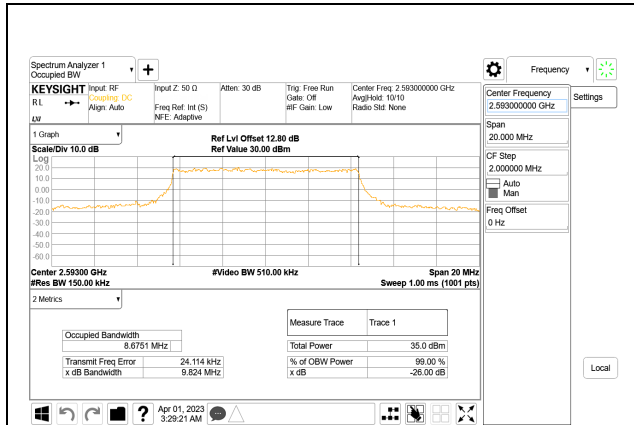
9.1.10. LTE BAND 41 AND 5G NR n41

LTE BAND 41

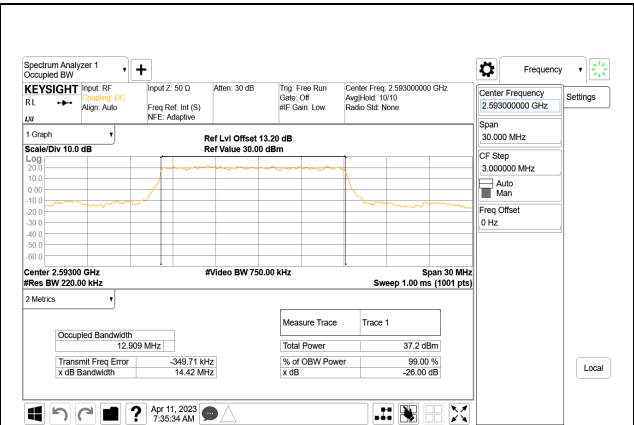


Intentionally Blank

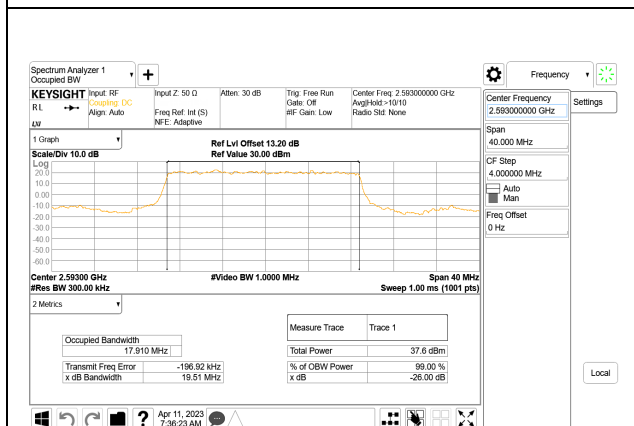
5G NR n41



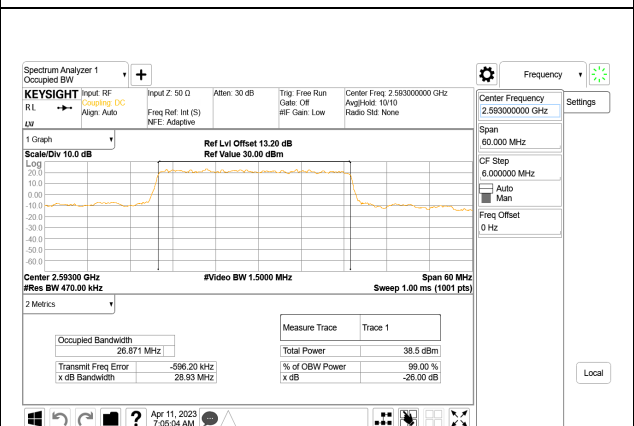
5G NR n41 10MHz BPSK Middle Channel RB24-0, ID:19210



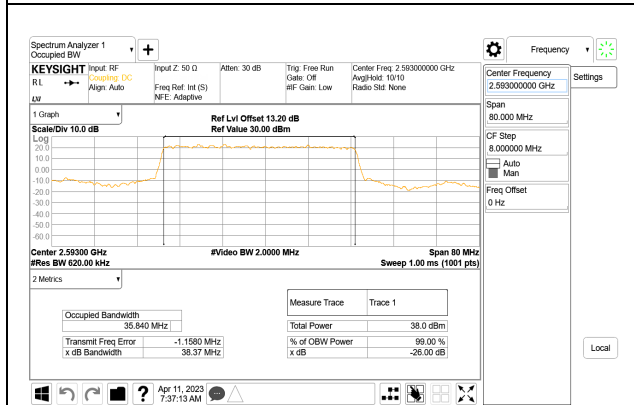
5G NR n41 15MHz BPSK Middle Channel RB36-0, ID:19210



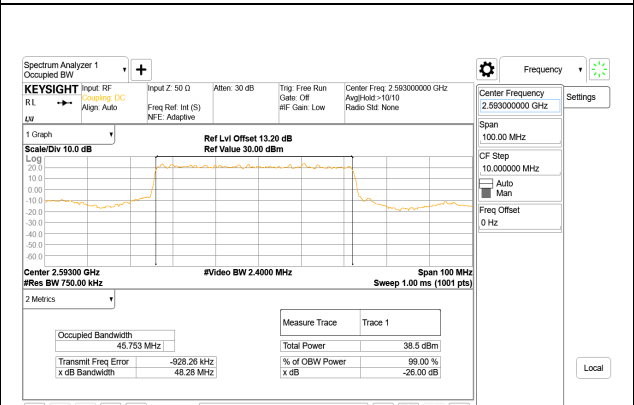
5G NR n41 20MHz BPSK Middle Channel RB50-0, ID:19210



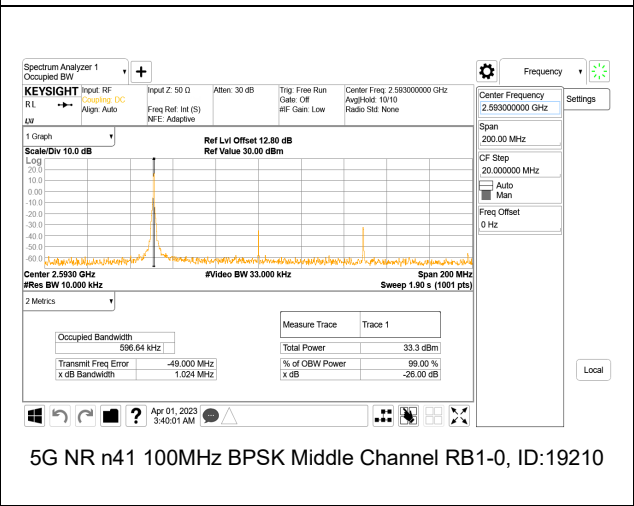
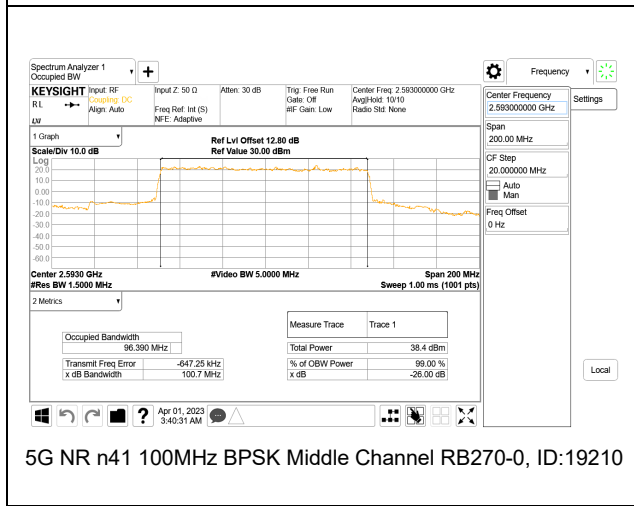
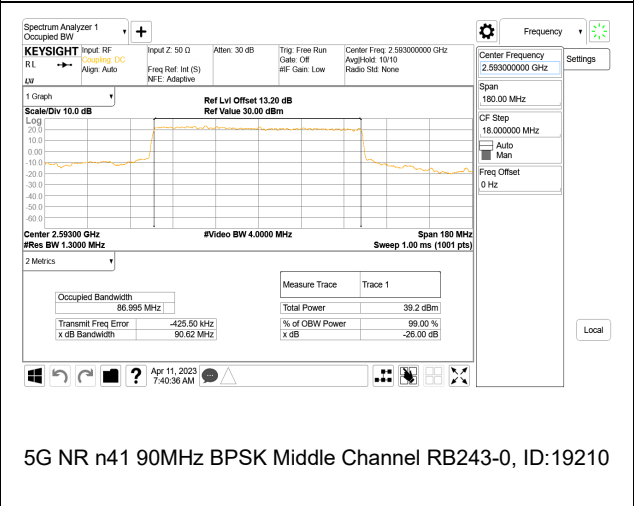
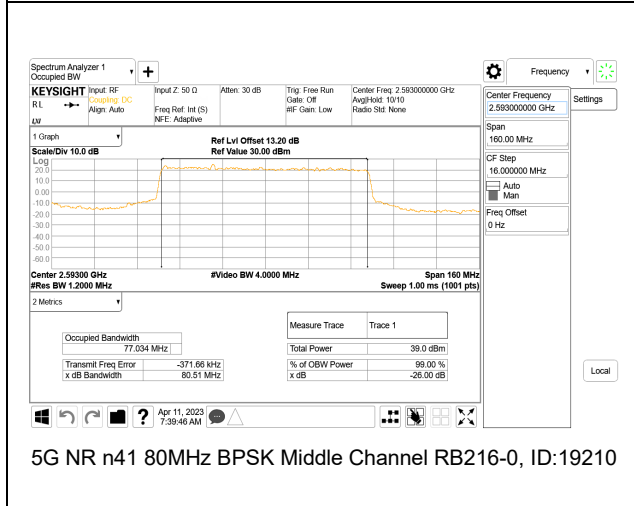
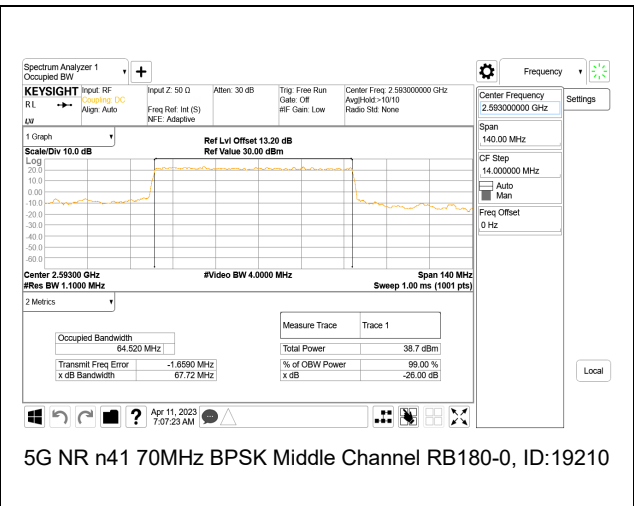
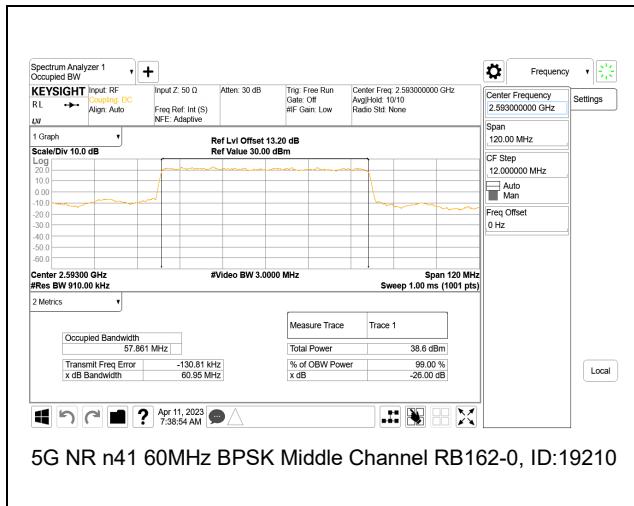
5G NR n41 30MHz BPSK Middle Channel RB75-0, ID:19210



5G NR n41 40MHz BPSK Middle Channel RB100-0, ID:19210

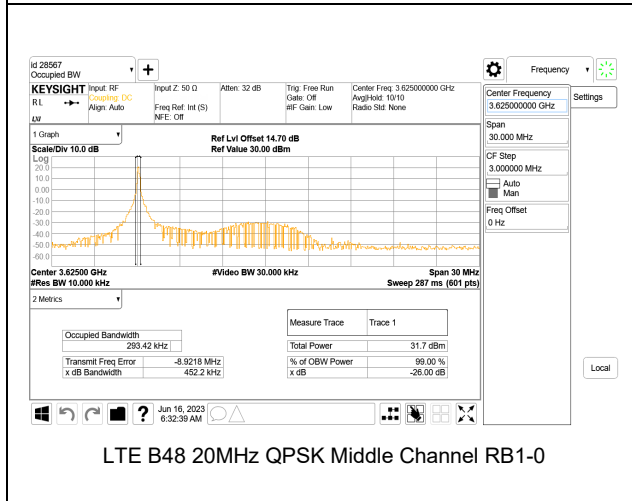
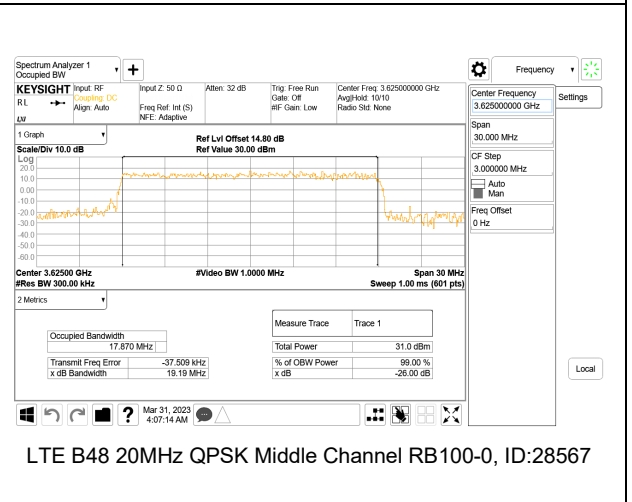
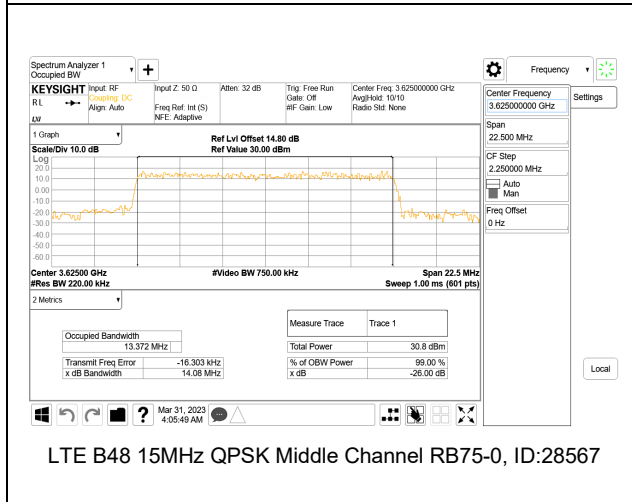
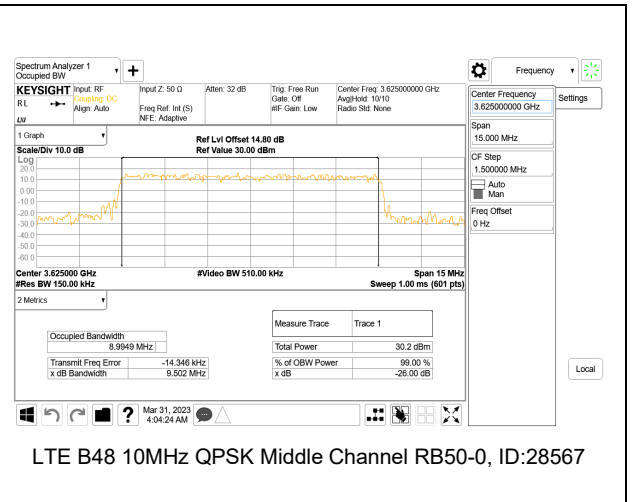
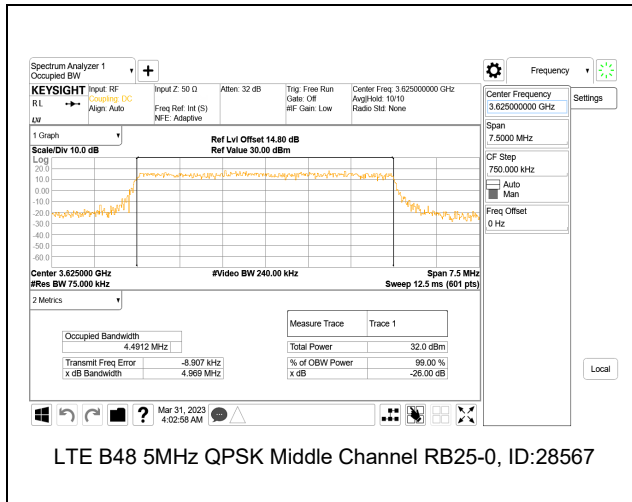


5G NR n41 50MHz BPSK Middle Channel RB128-0, ID:19210



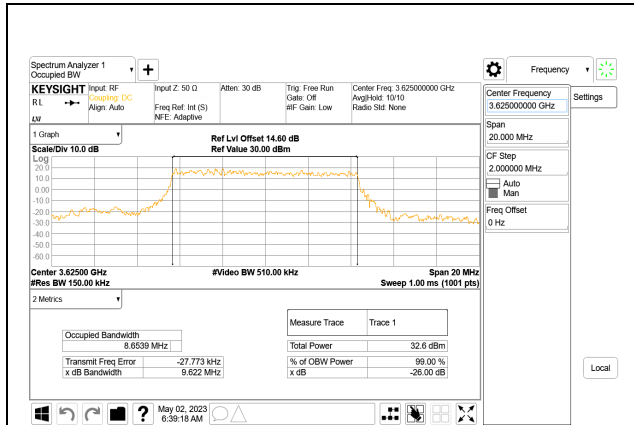
9.1.11. LTE BAND 48 AND 5G NR n48

LTE BAND 48

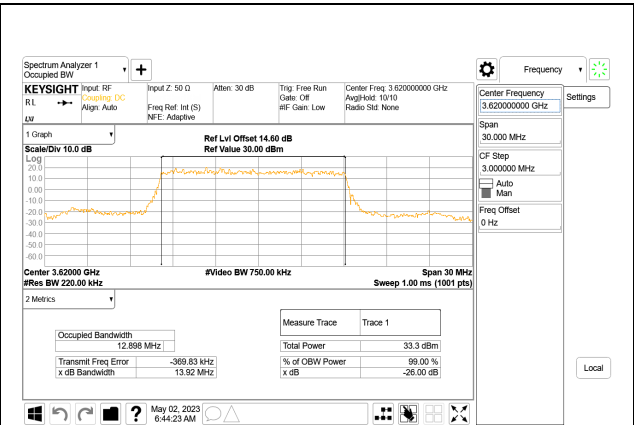


Intentionally Blank

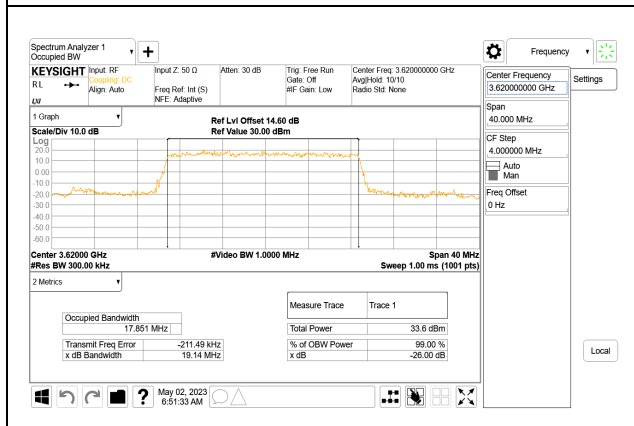
5G NR n48



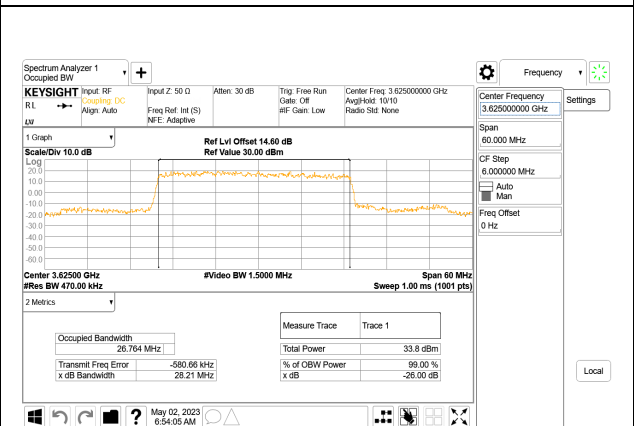
5G NR n48 10MHz BPSK Middle Channel RB24-0, ID:19210



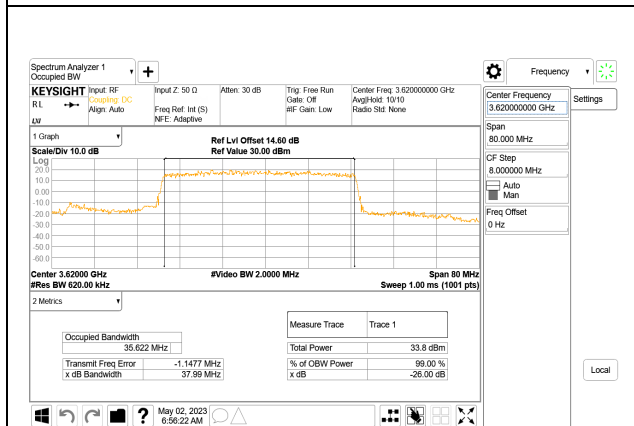
5G NR n48 15MHz BPSK Middle Channel RB36-0, ID:19210



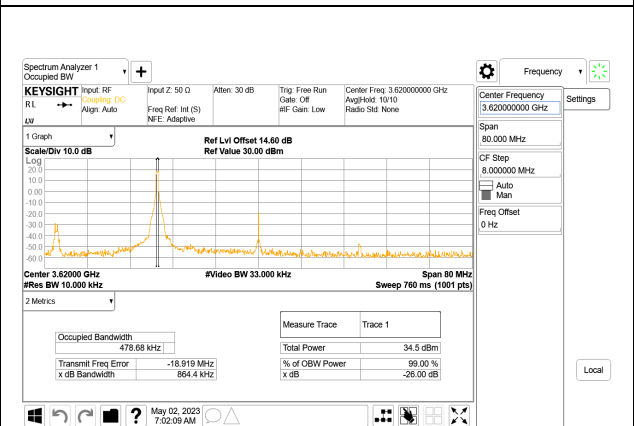
5G NR n48 20MHz BPSK Middle Channel RB50-0, ID:19210



5G NR n48 30MHz BPSK Middle Channel RB75-0, ID:19210



5G NR n48 40MHz BPSK Middle Channel RB100-0, ID:19210



5G NR n48 40MHz BPSK Middle Channel RB1-0, ID:19210

9.1.12. LTE BAND 66 AND 5G NR n66

LTE BAND 66

