

# TEST REPORT

**Report Number:** 14523772-E18V3

**Applicant :** APPLE, INC  
1 APPLE PARK WAY  
CUPERTINO, CA 95014, U.S.A.

**Model :** A3105

**Brand :** APPLE

**FCC ID :** BCG-E8440A

**EUT Description :** SMARTPHONE

**Test Standard(s) :** FCC 47 CFR PART2, 22H, 24E, 27, 90S, 90R, AND 96

**Date Of Issue:**  
2023-09-01

**Prepared by:**  
UL Verification Services Inc.  
47173 Benicia Street  
Fremont, CA 94538, U.S.A.  
TEL: (510) 319-4000  
FAX: (510) 661-0888



Revision History

<u>Rev.</u>	<u>Issue Date</u>	<u>Revisions</u>	<u>Revised By</u>
V1	2023-07-25	Initial Review	Eric Ting
V2	2023-08-31	Addressed TCB Feedback Section 6, 9, 10	Andrew Le
V3	2023-09-01	Addressed TCB Feedback Section 6, 8, 9	Andrew Le

## TABLE OF CONTENTS

<b>1. ATTESTATION OF TEST RESULTS</b>	<b>9</b>
<b>2. SUMMARY OF TEST RESULTS</b>	<b>10</b>
<b>3. TEST METHODOLOGY</b>	<b>12</b>
<b>4. FACILITIES AND ACCREDITATION</b>	<b>12</b>
<b>5. DECISION RULES AND MEASUREMENT UNCERTAINTY</b>	<b>13</b>
5.1. METROLOGICAL TRACEABILITY	13
5.2. DECISION RULES	13
5.3. MEASUREMENT UNCERTAINTY	13
5.4. SAMPLE CALCULATION	13
<b>6. EQUIPMENT UNDER TEST</b>	<b>14</b>
6.1. DESCRIPTION OF EUT	14
6.2. MAXIMUM OUTPUT POWER	14
6.3. SOFTWARE AND FIRMWARE	29
6.4. MAXIMUM ANTENNA GAIN	29
6.5. WORST-CASE CONFIGURATION AND MODE	30
6.6. DESCRIPTION OF TEST SETUP	32
<b>7. TEST AND MEASUREMENT EQUIPMENT</b>	<b>34</b>
<b>8. RF OUTPUT POWER VERIFICATION</b>	<b>35</b>
8.1. LTE BAND 7 AND 5G NR n7	36
8.2. LTE BAND 12 AND 5G NR n12	42
8.3. LTE BAND 13	46
8.4. LTE BAND 14 AND 5G NR n14	47
8.5. LTE BAND 17	49
8.6. LTE BAND 25 AND 5G NR n25	50
8.7. LTE BAND 26 AND 5G NR n26 (Part 90S)	57
8.8. LTE BAND 26 AND 5G NR n26 (Part 22)	60
8.9. LTE BAND 30 AND 5G NR n30	64
8.10. LTE BAND 41 AND 5G NR n41	66
8.11. LTE BAND 48 AND 5G NR n48	74
8.12. LTE BAND 66 AND 5G NR n66	79
8.13. 5G NR n70	86
8.14. LTE BAND 71 AND 5G NR n71	88

8.15. 5G NR n77 (Part 27 3450-3550MHz) ..... 92

8.16. 5G NR n77 (Part 27 3700-3980MHz) ..... 98

**9. CONDUCTED TEST RESULTS ..... 104**

9.1. OCCUPIED BANDWIDTH ..... 104

9.1.1. LTE BAND 7 AND 5G NR n7..... 118

9.1.2. LTE BAND 12 AND 5G NR n12..... 121

9.1.3. LTE BAND 13..... 123

9.1.4. LTE BAND 14 AND 5G NR n14..... 124

9.1.5. LTE BAND 17..... 126

9.1.6. LTE BAND 25 AND 5G NR n25..... 127

9.1.7. LTE BAND 26 AND 5G NR n26 (PART 90S)..... 131

9.1.8. LTE BAND 26 AND 5G NR n26 (PART 22)..... 133

9.1.9. LTE BAND 30 AND 5G NR n30..... 135

9.1.10. LTE BAND 41 AND 5G NR n41 ..... 137

9.1.11. LTE BAND 48 AND 5G NR n48 ..... 140

9.1.12. LTE BAND 66 AND 5G NR n66 ..... 142

9.1.13. 5G NR n70..... 146

9.1.14. LTE BAND 71 AND 5G NR n71 ..... 147

9.1.15. 5G NR n77 (Part 27 3450-3550MHz)..... 149

9.1.16. 5G NR n77 (Part 27 3700-3980MHz)..... 151

9.2. EMISSION MASK AND ADJACENT CHANNEL POWER..... 153

9.2.1. LTE BAND 7 AND 5G NR n7..... 155

9.2.2. LTE BAND 12 AND 5G NR n12..... 174

9.2.3. LTE BAND 13..... 186

9.2.4. LTE BAND 14 AND 5G NR n14..... 189

9.2.5. LTE BAND 17..... 194

9.2.6. LTE BAND 25 AND 5G NR n25..... 197

9.2.7. LTE BAND 26 AND 5G NR n26 (PART 90S)..... 208

9.2.8. LTE BAND 26 AND 5G NR n26 (PART 22)..... 214

9.2.9. LTE BAND 30 AND 5G NR n30..... 220

9.2.10. LTE BAND 41 AND 5G NR n41 ..... 227

9.2.11. LTE BAND 48 AND 5G NR n48 ..... 251

9.2.12. LTE BAND 66 AND 5G NR n66 ..... 280

9.2.13. 5G NR n70..... 291

9.2.14. LTE BAND 71 AND 5G NR n71 ..... 294

9.2.15. 5G NR n77 (Part 27 3450-3550MHz)..... 307

9.2.16. 5G NR n77 (Part 27 3700-3980MHz)..... 324

9.3. OUT OF BAND EMISSIONS ..... 342

9.3.1. LTE BAND 7 AND 5G NR n7..... 342

9.3.2. LTE BAND 12 AND 5G NR n12..... 349

9.3.3. LTE BAND 13..... 354

9.3.4. LTE BAND 14 AND 5G NR n14..... 355

9.3.5. LTE BAND 17..... 357

9.3.6. LTE BAND 25 AND 5G NR n25..... 359

9.3.7. LTE BAND 26 AND 5G NR n26 (PART 90S)..... 367

9.3.8. LTE BAND 26 AND 5G NR n26 (PART 22)..... 370

9.3.9. LTE BAND 30 AND 5G NR n30..... 375

9.3.10. LTE BAND 41 AND 5G NR n41 ..... 379

9.3.11. LTE BAND 48 AND 5G NR n48 ..... 388

9.3.12. LTE BAND 66 AND 5G NR n66 ..... 398

9.3.13. 5G NR n70..... 406

9.3.14. LTE BAND 71 AND 5G NR n71 ..... 408

9.3.15. 5G NR n77 (Part 27 3450-3550MHz)..... 413

9.3.16. 5G NR n77 (Part 27 3700-3980MHz)..... 419

9.4. FREQUENCY STABILITY ..... 425

9.4.1. LTE BAND 7 AND 5G NR n7..... 426

9.4.2. LTE BAND 12 AND 5G NR n12..... 428

9.4.3. LTE BAND 13..... 430

9.4.4. LTE BAND 14 AND 5G NR n14..... 431

9.4.5. LTE BAND 17..... 433

9.4.6. LTE BAND 25 AND 5G NR n25..... 434

9.4.7. LTE BAND 26 AND 5G NR n26 (PART 90S)..... 436

9.4.8. LTE BAND 26 AND 5G NR n26(PART 22) ..... 438

9.4.9. LTE BAND 30 AND 5G NR n30..... 440

9.4.10. LTE BAND 41 AND 5G NR n41 ..... 442

9.4.11. LTE BAND 48 AND 5G NR n48 ..... 444

9.4.12. LTE BAND 66 AND 5G NR n66 ..... 446

9.4.13. 5G NR n70..... 448

9.4.14. LTE BAND 71 AND 5G NR n71 ..... 449

9.4.15. 5G NR n77 (Part 27 3450-3550MHz)..... 451

9.4.16. 5G NR n77 (Part 27 3700-3980MHz)..... 452

9.5. PEAK-TO-AVERAGE POWER RATIO ..... 453

9.5.1. LTE BAND 7 AND 5G NR n7..... 454

9.5.2. LTE BAND 12 AND 5G NR n12..... 459

9.5.3. LTE BAND 13..... 462

9.5.4. LTE BAND 14 AND 5G NR n14..... 463

9.5.5. LTE BAND 17..... 465

9.5.6. LTE BAND 25 AND 5G NR n25..... 466

9.5.7. LTE BAND 26 AND 5G NR n26 (PART 90S)..... 471

9.5.8. LTE BAND 26 AND 5G NR n26 (PART 22)..... 474

9.5.9. LTE BAND 30 AND 5G NR n30..... 478

9.5.10. LTE BAND 41 AND 5G NR n41 ..... 480

9.5.11. LTE BAND 48 AND 5G NR n48 ..... 481

9.5.12. LTE BAND 66 AND 5G NR n66 ..... 482

9.5.13. 5G NR n70..... 487

9.5.14. LTE BAND 71 AND 5G NR n71 ..... 488

9.5.15. 5G NR n77 (Part 27 3450-3550MHz)..... 492

9.5.16. 5G NR n77 (Part 27 3700-3980MHz)..... 493

**10. RADIATED TEST RESULTS..... 494**

10.1. FIELD STRENGTH OF SPURIOUS RADIATION, ANT1 ..... 497

10.1.1. LTE BAND 7 AND 5G NR n7 ..... 497

10.1.2. LTE BAND 12 AND 5G NR n12 ..... 500

10.1.3. LTE BAND 13 ..... 503

10.1.4. LTE BAND 14 AND 5G NR n14 ..... 504

10.1.5. LTE BAND 17 ..... 506

10.1.6. LTE BAND 25 AND 5G NR n25 ..... 507

10.1.7. LTE BAND 26 AND 5G NR n26 (PART 90S)..... 509

10.1.8. LTE BAND 26 AND 5G NR n26 (PART 22) ..... 510

10.1.9. LTE BAND 30 AND 5G NR n30 ..... 512

10.1.10. LTE BAND 41 AND 5G NR n41 ..... 514

10.1.11. LTE BAND 66 AND 5G NR n66 ..... 516

10.1.12. 5G NR n70..... 518

10.1.13. LTE BAND 71 AND 5G NR n71 ..... 519

10.2. FIELD STRENGTH OF SPURIOUS RADIATION, ANT2 ..... 521

10.2.1. LTE BAND 7 AND 5G NR n7 ..... 521

10.2.2. LTE BAND 12 AND 5G NR n12 ..... 524

10.2.3.	LTE BAND 13 .....	527
10.2.4.	LTE BAND 14 AND 5G NR n14 .....	528
10.2.5.	LTE BAND 17 .....	530
10.2.6.	LTE BAND 25 AND 5G NR n25 .....	531
10.2.7.	LTE BAND 26 AND 5G NR n26 (PART 90S) .....	533
10.2.8.	LTE BAND 26 AND 5G NR n26 (PART 22) .....	534
10.2.9.	LTE BAND 30 AND 5G NR n30 .....	536
10.2.10.	LTE BAND 41 AND 5G NR n41 .....	538
10.2.11.	LTE BAND 66 AND 5G NR n66 .....	540
10.2.12.	5G NR n70.....	542
	LTE BAND 71 AND 5G NR n71 .....	543
10.3.	FIELD STRENGTH OF SPURIOUS RADIATION, ANT3 .....	545
10.3.1.	LTE BAND 7 AND 5G NR n7 .....	545
10.3.2.	LTE BAND 12 AND 5G NR n12 .....	548
10.3.3.	LTE BAND 13 .....	551
10.3.4.	LTE BAND 14 AND 5G NR n14 .....	552
10.3.5.	LTE BAND 17 .....	554
10.3.6.	LTE BAND 25 AND 5G NR n25 .....	555
10.3.7.	LTE BAND 26 AND 5G NR n26 (PART 90S) .....	557
10.3.8.	LTE BAND 26 AND 5G NR n26 (PART 22) .....	558
10.3.9.	LTE BAND 30 AND 5G NR n30 .....	560
10.3.10.	LTE BAND 41 AND 5G NR n41 .....	561
10.3.11.	LTE BAND 66 AND 5G NR n66 .....	563
10.3.12.	5G NR n70.....	565
10.3.13.	LTE BAND 71 AND 5G NR n71 .....	566
10.4.	FIELD STRENGTH OF SPURIOUS RADIATION, ANT4 .....	568
10.4.1.	LTE BAND 7 AND 5G NR n7 .....	568
10.4.2.	LTE BAND 25 AND 5G NR n25 .....	571
10.4.3.	LTE BAND 30 AND 5G NR n30 .....	573
10.4.4.	LTE BAND 41 AND 5G NR n41 .....	575
10.4.5.	LTE BAND 48 AND 5G NR n48 .....	577
10.4.6.	LTE BAND 66 AND 5G NR n66 .....	579
10.4.7.	5G NR n70.....	581
10.4.8.	5G NR n77 (Part 27 3450-3550MHz).....	582
10.4.9.	5G NR n77 (Part 27 3700-3980MHz).....	583
10.5.	FIELD STRENGTH OF SPURIOUS RADIATION, ANT7 .....	584

10.5.1. LTE BAND 48 AND 5G NR n48 ..... 585  
10.5.2. 5G NR n77 (Part 27 3450-3550MHz)..... 587  
10.5.3. 5G NR n77 (Part 27 3700-3980MHz)..... 588  
10.6. FIELD STRENGTH OF SPURIOUS RADIATION, ANT8 ..... 589  
10.6.1. LTE BAND 48 AND 5G NR n48 ..... 590  
10.6.2. 5G NR n77 (Part 27 3450-3550MHz)..... 592  
10.6.3. 5G NR n77 (Part 27 3700-3980MHz)..... 593  
10.7. FIELD STRENGTH OF SPURIOUS RADIATION, ANT9 ..... 594  
10.7.1. LTE BAND 48 AND 5G NR n48 ..... 595  
10.7.2. 5G NR n77 (Part 27 3450-3550MHz)..... 597  
10.7.3. 5G NR n77 (Part 27 3700-3980MHz)..... 598  
**11. SETUP PHOTOS..... 599**



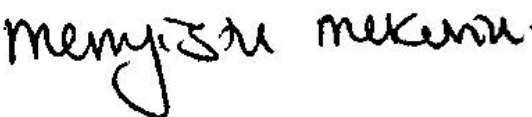
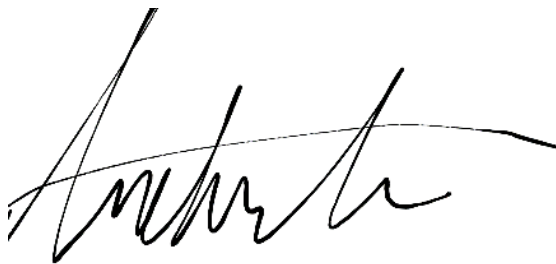
# 1. ATTESTATION OF TEST RESULTS

Applicant Name and Address	APPLE, INC 1 APPLE PARK WAY CUPERTINO, CA 95014, U.S.A.
Model	A3105
Brand	APPLE
FCC ID	BCG-E8440A
EUT Description	SMARTPHONE
Serial Number	Conducted: (YN44MWQV93, R99VXPQQM9, C07GVV005R0000472, C07GVV00560000472) Radiated: (JWDG4123TQ, THL2CQTMHY)
Sample Receipt Date	2023/03/24
Date Tested	2023/03/27 – 2023/07/24
Applicable Standards	FCC 47 CFR Part 2, 22H, 24E, 27, 90S, 90R, AND 96
Test Results	COMPLIES

UL Verification Services Inc. tested the above equipment in accordance with the requirements set forth in the above standards. The test results show that the equipment tested is capable of demonstrating compliance with the requirements as documented in this report.

The results documented in this report apply only to the tested sample, under the conditions and modes of operation as described herein. It is the manufacturer's responsibility to assure that additional production units of this model are manufactured with identical electrical and mechanical components. All samples tested were in good operating condition throughout the entire test program. Measurement Uncertainties are published for informational purposes only and were not taken into account unless noted otherwise.

This document may not be altered or revised in any way unless done so by UL Verification Services Inc. and all revisions are duly noted in the revisions section. Any alteration of this document not carried out by UL Verification Services Inc. will constitute fraud and shall nullify the document. This report must not be used by the client to claim product certification, approval, or endorsement by A2LA, NIST, any agency of the Federal Government, or any agency of the U.S. government.

Approved & Released By:  	Prepared & Reviewed By:  
Mengistu Mekuria Operations Leader UL Verification Services Inc.	Andrew Le Senior Lab Technician UL Verification Services Inc.

## 2. SUMMARY OF TEST RESULTS

This report contains data provided by the customer which can impact the validity of results. UL Verification Services Inc. is only responsible for the validity of results after the integration of the data provided by the customer.”

Below is a list of the data provided by the customer:

1. Antenna gain and type (see section 6.4)

Requirement Description	Band	Requirement Clause Number (FCC)	Result*	Remarks
RF Conducted Output Power	26 (90S)	2.1046 , 90.635 (b)	Compiles	
Effective Radiated Power	5	22.913 (a)(5)	Compiles	
	12	27.50 (c) (10)	Compiles	
	13	27.50 (b ) (10)	Compiles	
	14	90.541 (d)	Compiles	
	17	27.50 (c) (10)	Compiles	
	71	27.50 (c) (10)	Compiles	
Equivalent Isotropic Radiated Power	2, 25	24.232 (c )	Compiles	
	4, 66	27.50 (d) (4)	Compiles	
	70	27.50 (d) (4)	Compiles	
	30	27.50 (a) (3)	Compiles	
	7, 41, 38	27.50 (h) (2)	Compiles	
	48	96.41 (b)	Compiles	
	77	96.41 (b), 27.50 (j) (3), (k) (3)	Compiles	

Requirement Description	Requirement Clause Number (FCC)	Result*	Remarks
Occupied Bandwidth	2.1049	Compiles	
Band Edge and Emission Mask	2.1051, 22.917 (a), 24.238 (a), 27.53 (h), 27.53 (m)(4) & (m) (6), 96.41(e) , 27.53 (g), 27.53 (c) (f), 27.53(a), 27.53(l), 90.543 (e)(f), 90.691 (a), 96.41(e)	Compiles	
Out of Band Emissions	2.1051, 22.917 (a), 24.238 (a), 27.53 (h), 27.53 (m)(4) & (m) (6), 96.41(e) , 27.53 (g), 27.53 (c) (f), 27.53(a), 27.53(l), 90.543 (e)(f), 90.691 (a), 96.41(e)	Compiles	
Frequency Stability	2.1055, 22.355, 24.235, 27.54, 90.539, 90.213	Compiles	
Peak-to-Average Ratio	22.913 (d), 24.232 (d), 27.50 (d) (5), 27.50 (j) (4), 96.41 (g)	Compiles	
Field Strength of Spurious Radiation	2.1053, 22.917 (a), 24.238 (a), 27.53 (h), 27.53 (m)(4) & (m) (6), 96.41(e) , 27.53 (g), 27.53 (c) (f), 27.53(a), 27.53(l), 90.543 (e)(f), 90.691 (a), 96.41(e)	Compiles	

### 3. TEST METHODOLOGY

The tests documented in this report were performed in accordance with the following:

- ANSI C63.26:2015
- FCC 47 CFR Part 2, Part 22, Part 24, Part 27, Part 90, and Part 96
- [FCC KDB 971168 D01 v03r01](#): Power Meas License Digital Systems
- [FCC KDB 971168 D02 v02r02](#): Misc Rev Approv License Devices
- [FCC KDB 412172 D01 v01r01](#). Determining ERP and EIRP

### 4. FACILITIES AND ACCREDITATION

UL Verification Services Inc. is accredited by A2LA, certification #0751.05, for all testing performed within the scope of this report. Testing was performed at the locations noted below.

	Address	ISED CABID	ISED Company Number	FCC Registration
<input checked="" type="checkbox"/>	Building 1: 47173 Benicia Street, Fremont, CA 94538, USA	US0104	2324A	550739
<input checked="" type="checkbox"/>	Building 2: 47266 Benicia Street, Fremont, CA 94538, USA			
<input type="checkbox"/>	Building 3: 843 Auburn Court, Fremont, CA 94538, USA			
<input checked="" type="checkbox"/>	Building 4: 47658 Kato Rd, Fremont, CA 94538, USA			
<input checked="" type="checkbox"/>	Building 5: 47670 Kato Rd, Fremont, CA 94538, USA			

## 5. DECISION RULES AND MEASUREMENT UNCERTAINTY

### 5.1. METROLOGICAL TRACEABILITY

All test and measuring equipment utilized to perform the tests documented in this report are calibrated on a regular basis, with a maximum time between calibrations of one year or the manufacturers' recommendation, whichever is less, and where applicable is traceable to recognized national standards.

### 5.2. DECISION RULES

The Decision Rule is based on Simple Acceptance in accordance with ISO Guide 98-4:2012 Clause 8.2. (Measurement uncertainty is not taken into account when stating conformity with a specified requirement.)

### 5.3. MEASUREMENT UNCERTAINTY

Where relevant, the following measurement uncertainty levels have been estimated for tests performed on the apparatus:

PARAMETER	U <sub>Lab</sub>
Conducted Antenna Port Emission Measurement	1.940
Power Spectral Density	2.466
Time Domain Measurements Using SA	3.39
RF Power Measurement Direct Method Using Power Meter	0.450 Peak; 1.300 Ave.
Radio Frequency (Spectrum Analyzer)	141.16 Hz
Occupied Bandwidth	1.22%
Worst Case Conducted Disturbance, 9KHz to 0.15 MHz	3.78 db
Worst Case Conducted Disturbance, 0.15 to 30 MHz	3.40 db
Worst Case Radiated Disturbance, 9KHz to 30 MHz	2.87 db
Worst Case Radiated Disturbance, 30 to 1000 MHz	6.01 db
Worst Case Radiated Disturbance, 1000 to 18000 MHz	4.73 db
Worst Case Radiated Disturbance, 18000 to 26000 MHz	4.51 db
Worst Case Radiated Disturbance, 26000 to 40000 MHz	5.29 db

Uncertainty figures are valid to a confidence level of 95%.

### 5.4. SAMPLE CALCULATION

#### RADIATED EMISSIONS

Where relevant, the following sample calculation is provided:

$$\text{Field Strength (dBuV/m)} = \text{Measured Voltage (dBuV)} + \text{Antenna Factor (dB/m)} + \text{Cable Loss (dB)} - \text{Preamp Gain (dB)}$$

$$36.5 \text{ dBuV} + 18.7 \text{ dB/m} + 0.6 \text{ dB} - 26.9 \text{ dB} = 28.9 \text{ dBuV/m}$$

## 6. EQUIPMENT UNDER TEST

### 6.1. DESCRIPTION OF EUT

The Apple iPhone is a smartphone with cellular GSM, GPRS, EGPRS, UMTS, LTE, 5G NR1, IEEE 802.11a/b/g/n/ac/ax, Bluetooth (BT), Ultra-Wideband (UWB), GPS, NFC, NB UNII, 802.15.4, 802.15.4ab-NB and MSS technologies. The rechargeable battery is not user accessible.

### 6.2. MAXIMUM OUTPUT POWER

#### EIRP/ERP TEST PROCEDURE

ANSI C63.26:2015  
KDB 971168 D01 Section 5.6

$$\text{ERP/EIRP} = \text{PMeas} + \text{GT} - \text{LC}$$

where: ERP/EIRP = effective or equivalent radiated power, respectively (expressed in the same units as PMeas, typically dBW or dBm);

PMeas = measured transmitter output power or PSD, in dBm or dBW;

GT = gain of the transmitting antenna, in dBd (ERP) or dBi (EIRP);

LC = signal attenuation in the connecting cable between the transmitter and antenna, in dB.

For devices utilizing multiple antennas, KDB 662911 provides guidance for determining the effective array transmit antenna gain term to be used in the above equation.

EUT includes different power levels for head use configuration and body use configuration and the below tables contain the highest of all configurations average conducted and ERP/EIRP output powers as follows:

**LTE BAND 7**

Part 27								
EIRP Limit (W)		2.00						
Antenna Gain (dBi)_(Ant 3)		-2.40						
Bandwidth (MHz)	Modulation	Low Frequency (MHz)	Upper Frequency (MHz)	Conducted Average (dBm)	EIRP Average (dBm)	EIRP Average (W)	99% BW (kHz)	Emission Designator
5.0	QPSK	2502.5	2567.5	25.00	22.60	0.182	4504	4M50G7W
	16QAM			24.43	22.03	0.160	4503	4M50D7W
10.0	QPSK	2505.0	2565.0	25.00	22.60	0.182	8993	8M99G7W
	16QAM			24.41	22.01	0.159	8988	8M99D7W
15.0	QPSK	2507.5	2562.5	25.00	22.60	0.182	13490	13M5G7W
	16QAM			24.32	21.92	0.156	13475	13M5D7W
20.0	QPSK	2510.0	2560.0	25.00	22.60	0.182	17942	17M9G7W
	16QAM			24.49	22.09	0.162	17975	18M0D7W

**5G NR n7**

Part 27								
EIRP Limit (W)		2.00						
Antenna Gain (dBi)_(Ant 3)		-2.40						
Bandwidth (MHz)	Modulation	Low Frequency (MHz)	Upper Frequency (MHz)	Conducted Average (dBm)	EIRP Average (dBm)	EIRP Average (W)	99% BW (kHz)	Emission Designator
5.0	BPSK	2502.5	2567.5	25.00	22.60	0.182	4483	4M48G7W
	QPSK			25.00	22.60	0.182	4510	4M51G7W
	16QAM			24.31	21.91	0.155	4487	4M49D7W
10.0	BPSK	2505.0	2565.0	25.00	22.60	0.182	8959	8M96G7W
	QPSK			25.00	22.60	0.182	8961	8M96G7W
	16QAM			24.31	21.91	0.155	8926	8M93D7W
15.0	BPSK	2507.5	2562.5	25.00	22.60	0.182	13383	13M4G7W
	QPSK			25.00	22.60	0.182	13430	13M4G7W
	16QAM			24.34	21.94	0.156	13471	13M5D7W
20.0	BPSK	2510.0	2560.0	25.00	22.60	0.182	17915	17M9G7W
	QPSK			25.00	22.60	0.182	17932	17M9G7W
	16QAM			24.43	22.03	0.160	17863	17M9D7W
25.0	BPSK	2512.5	2557.5	25.00	22.60	0.182	22927	22M9G7W
	QPSK			25.00	22.60	0.182	22921	22M9G7W
	16QAM			24.24	21.84	0.153	22836	22M8D7W
30.0	BPSK	2515.0	2555.0	25.00	22.60	0.182	28598	28M6G7W
	QPSK			25.00	22.60	0.182	28563	28M6G7W
	16QAM			24.39	21.99	0.158	28731	28M7D7W
35.0	BPSK	2517.5	2552.5	25.00	22.60	0.182	32217	32M2D7W
	QPSK			25.00	22.60	0.182	32199	32M2D7W
	16QAM			24.39	21.99	0.158	32122	32M1D7W
40.0	BPSK	2520.0	2550.0	25.00	22.60	0.182	38617	38M6G7W
	QPSK			25.00	22.60	0.182	38642	38M6G7W
	16QAM			24.62	22.22	0.167	38699	38M7D7W

**LTE BAND 12**

Part 27								
ERP Limit (W)		3.00						
Antenna Gain (dBi) (Ant 1)		-5.20						
Bandwidth (MHz)	Modulation	Low Frequency (MHz)	Upper Frequency (MHz)	Conducted Average (dBm)	ERP Average (dBm)	ERP Average (W)	99% BW (kHz)	Emission Designator
1.4	QPSK	699.7	715.3	25.70	18.35	0.068	1097	1M10G7W
	16QAM			24.75	17.40	0.055	1095	1M10D7W
3.0	QPSK	700.5	714.5	25.70	18.35	0.068	2699	2M70G7W
	16QAM			24.70	17.35	0.054	2700	2M70D7W
5.0	QPSK	701.5	713.5	25.70	18.35	0.068	4503	4M50G7W
	16QAM			24.67	17.32	0.054	4494	4M49D7W
10.0	QPSK	704.0	711.0	25.70	18.35	0.068	8966	8M97G7W
	16QAM			24.71	17.36	0.054	8968	8M97D7W

**5G NR n12**

Part 27								
ERP Limit (W)		3.00						
Antenna Gain (dBi) (Ant 1)		-5.20						
Bandwidth (MHz)	Modulation	Low Frequency (MHz)	Upper Frequency (MHz)	Conducted Average (dBm)	ERP Average (dBm)	ERP Average (W)	99% BW (kHz)	Emission Designator
5.0	BPSK	701.5	713.5	25.70	18.35	0.068	4470	4M47G7W
	QPSK			25.27	17.92	0.062	4487	4M49G7W
	16QAM			24.48	17.13	0.052	4481	4M48D7W
10.0	BPSK	704.0	711.0	25.70	18.35	0.068	8932	8M93G7W
	QPSK			25.16	17.81	0.060	8924	8M92G7W
	16QAM			24.35	17.00	0.050	8957	8M96D7W
15.0	BPSK	706.5	708.5	25.70	18.35	0.068	13450	13M5G7W
	QPSK			25.27	17.92	0.062	13496	13M5G7W
	16QAM			24.58	17.23	0.053	13376	13M4D7W

**LTE BAND 13**

Part 27								
ERP Limit (W)		3.00						
Antenna Gain (dBi) (Ant 1)		-5.50						
Bandwidth (MHz)	Modulation	Low Frequency (MHz)	Upper Frequency (MHz)	Conducted Average (dBm)	ERP Average (dBm)	ERP Average (W)	99% BW (kHz)	Emission Designator
5.0	QPSK	779.5	784.5	25.70	18.05	0.064	4503	4M50G7W
	16QAM			24.98	17.33	0.054	4496	4M50D7W
10.0	QPSK	782.0	782.0	25.70	18.05	0.064	8970	8M97G7W
	16QAM			24.91	17.26	0.053	8983	8M98D7W



**LTE BAND 14**

Part 90R								
ERP Limit (W)		3.00						
Antenna Gain (dBi) (Ant 1)		-5.50						
Bandwidth (MHz)	Modulation	Low Frequency (MHz)	Upper Frequency (MHz)	Conducted Average (dBm)	ERP Average (dBm)	ERP Average (W)	99% BW (kHz)	Emission Designator
5.0	QPSK	790.5	795.5	25.70	18.05	0.064	4503	4M50G7W
	16QAM			24.80	17.15	0.052	4503	4M50D7W
10.0	QPSK	793.0	793.0	25.70	18.05	0.064	8957	8M96G7W
	16QAM			24.80	17.15	0.052	8974	8M97D7W

**5G NR n14**

Part 90R								
ERP Limit (W)		3.00						
Antenna Gain (dBi) (Ant 1)		-5.50						
Bandwidth (MHz)	Modulation	Low Frequency (MHz)	Upper Frequency (MHz)	Conducted Average (dBm)	ERP Average (dBm)	ERP Average (W)	99% BW (kHz)	Emission Designator
5.0	BPSK	790.5	795.5	25.70	18.05	0.064	4484	4M48G7W
	QPSK			25.27	17.62	0.058	4477	4M48G7W
	16QAM			24.54	16.89	0.049	4488	4M49D7W
10.0	BPSK	793.0	793.0	25.70	18.05	0.064	8970	8M97G7W
	QPSK			25.27	17.62	0.058	8930	8M93G7W
	16QAM			24.70	17.05	0.051	8933	8M93D7W

**LTE BAND 17**

Part 27								
ERP Limit (W)		3.00						
Antenna Gain (dBi) (Ant 1)		-5.20						
Bandwidth (MHz)	Modulation	Low Frequency (MHz)	Upper Frequency (MHz)	Conducted Average (dBm)	ERP Average (dBm)	ERP Average (W)	99% BW (kHz)	Emission Designator
5.0	QPSK	706.5	713.5	25.70	18.35	0.068	4503	4M50G7W
	16QAM			24.75	17.40	0.055	4500	4M50D7W
10.0	QPSK	709.0	711.0	25.70	18.35	0.068	8991	8M99G7W
	16QAM			24.70	17.35	0.054	8973	8M97D7W

**LTE BAND 25**

Part 24								
EIRP Limit (W)		2.00						
Antenna Gain (dBi) (Ant 3)		-0.90						
Bandwidth (MHz)	Modulation	Low Frequency (MHz)	Upper Frequency (MHz)	Conducted Average (dBm)	EIRP Average (dBm)	EIRP Average (W)	99% BW (kHz)	Emission Designator
1.4	QPSK	1850.7	1914.3	25.50	24.60	0.288	1093	1M09G7W
	16QAM			24.77	23.87	0.244	1097	1M10D7W
3.0	QPSK	1851.5	1913.5	25.50	24.60	0.288	2702	2M70G7W
	16QAM			24.73	23.83	0.242	2701	2M70D7W
5.0	QPSK	1852.5	1912.5	25.50	24.60	0.288	4510	4M51G7W
	16QAM			24.78	23.88	0.244	4509	4M51D7W
10.0	QPSK	1855.0	1910.0	25.50	24.60	0.288	8980	8M98G7W
	16QAM			24.74	23.84	0.242	8999	9M00D7W
15.0	QPSK	1857.5	1907.5	25.50	24.60	0.288	13459	13M5G7W
	16QAM			24.85	23.95	0.248	13452	13M5D7W
20.0	QPSK	1860.0	1905.0	25.50	24.60	0.288	17938	17M9G7W
	16QAM			24.94	24.04	0.254	17942	17M9D7W

**5G NR n25**

Part 24								
EIRP Limit (W)		2.00						
Antenna Gain (dBi) (Ant 3)		-0.90						
Bandwidth (MHz)	Modulation	Low Frequency (MHz)	Upper Frequency (MHz)	Conducted Average (dBm)	EIRP Average (dBm)	EIRP Average (W)	99% BW (kHz)	Emission Designator
5.0	BPSK	1852.5	1912.5	25.50	24.60	0.288	4493	4M49G7W
	QPSK			25.49	24.59	0.288	4491	4M49G7W
	16QAM			24.79	23.89	0.245	4490	4M49D7W
10.0	BPSK	1855.0	1910.0	25.50	24.60	0.288	8988	8M99G7W
	QPSK			25.48	24.58	0.287	8982	8M98G7W
	16QAM			24.79	23.89	0.245	8973	8M97D7W
15.0	BPSK	1857.5	1907.5	25.50	24.60	0.288	13438	13M4G7W
	QPSK			25.49	24.59	0.288	13457	13M5G7W
	16QAM			24.97	24.07	0.255	13401	13M4D7W
20.0	BPSK	1860.0	1905.0	25.50	24.60	0.288	17912	17M9G7W
	QPSK			25.49	24.59	0.288	17879	17M9G7W
	16QAM			24.82	23.92	0.247	17920	17M9D7W
25.0	BPSK	1862.5	1902.5	25.50	24.60	0.288	22954	23M0G7W
	QPSK			25.50	24.60	0.288	22896	22M9G7W
	16QAM			24.88	23.98	0.250	22882	22M9D7W
30.0	BPSK	1865.0	1900.0	25.50	24.60	0.288	28577	28M6G7W
	QPSK			25.47	24.57	0.286	28670	28M7G7W
	16QAM			25.07	24.17	0.261	28594	28M6D7W
35.0	BPSK	1867.5	1897.5	25.50	24.60	0.288	32173	32M2D7W
	QPSK			25.42	24.52	0.283	32187	32M2D7W
	16QAM			24.79	23.89	0.245	32058	32M1D7W
40.0	BPSK	1870.0	1895.0	25.50	24.60	0.288	38657	38M7G7W
	QPSK			25.45	24.55	0.285	38690	38M7G7W
	16QAM			24.99	24.09	0.256	38571	38M6D7W

**LTE BAND 26 (Part 90S)**

Part 90S								
Conducted Limit (W)		100.00						
Antenna Gain (dBi) (Ant 1)		-5.70						
Bandwidth (MHz)	Modulation	Low Frequency (MHz)	Upper Frequency (MHz)	Conducted Average (dBm)	ERP Average (dBm)	ERP Average (W)	99% BW (kHz)	Emission Designator
1.4	QPSK	814.7	823.3	25.70	17.85	0.061	1095	1M10G7W
	16QAM			24.71	16.86	0.049	1093	1M09D7W
3.0	QPSK	815.5	822.5	25.70	17.85	0.061	2702	2M70G7W
	16QAM			24.79	16.94	0.049	2706	2M71D7W
5.0	QPSK	816.5	821.5	25.70	17.85	0.061	4503	4M50G7W
	16QAM			24.73	16.88	0.049	4504	4M50D7W
10.0	QPSK	819.0	819.0	25.70	17.85	0.061	8974	8M97G7W
	16QAM			24.60	16.75	0.047	8988	8M99D7W

**5G NR n26 (Part 90S)**

Part 90S								
Conducted Limit (W)		100.00						
Antenna Gain (dBi) (Ant 1)		-5.70						
Bandwidth (MHz)	Modulation	Low Frequency (MHz)	Upper Frequency (MHz)	Conducted Average (dBm)	ERP Average (dBm)	ERP Average (W)	99% BW (kHz)	Emission Designator
5.0	BPSK	816.5	821.5	25.70	17.85	0.061	4489	4M49G7W
	QPSK			25.70	17.85	0.061	4485	4M49G7W
	16QAM			25.11	17.26	0.053	4489	4M49D7W
10.0	BPSK	819.0	819.0	25.70	17.85	0.061	8962	8M96G7W
	QPSK			25.27	17.42	0.055	8923	8M92G7W
	16QAM			24.56	16.71	0.047	8921	8M92D7W

**LTE BAND 26 (Part 22)**

Part 22								
ERP Limit (W)		7.00						
Antenna Gain (dBi) Ant 1)		-5.70						
Bandwidth (MHz)	Modulation	Low Frequency (MHz)	Upper Frequency (MHz)	Conducted Average (dBm)	ERP Average (dBm)	ERP Average (W)	99% BW (kHz)	Emission Designator
1.4	QPSK	824.7	848.3	25.70	17.85	0.061	1092	1M09G7W
	16QAM			24.74	16.89	0.049	1090	1M09D7W
3.0	QPSK	825.5	847.5	25.70	17.85	0.061	2703	2M70G7W
	16QAM			24.74	16.89	0.049	2707	2M71D7W
5.0	QPSK	826.5	846.5	25.70	17.85	0.061	4509	4M51G7W
	16QAM			24.76	16.91	0.049	4511	4M51D7W
10.0	QPSK	829.0	844.0	25.70	17.85	0.061	8966	8M97G7W
	16QAM			24.74	16.89	0.049	8981	8M98D7W

**5G NR n26 (Part 22)**

Part 22								
ERP Limit (W)		7.00						
Antenna Gain (dBi) (Ant 1)		-5.70						
Bandwidth (MHz)	Modulation	Low Frequency (MHz)	Upper Frequency (MHz)	Conducted Average (dBm)	ERP Average (dBm)	ERP Average (W)	99% BW (kHz)	Emission Designator
5.0	BPSK	826.5	846.5	25.70	17.85	0.061	4508	4M51G7W
	QPSK			25.70	17.85	0.061	4501	4M50G7W
	16QAM			25.34	17.49	0.056	4494	4M49D7W
10.0	BPSK	829.0	844.0	25.70	17.85	0.061	8939	8M94G7W
	QPSK			25.27	17.42	0.055	8935	8M94G7W
	16QAM			24.65	16.80	0.048	8960	8M96D7W
15.0	BPSK	831.5	841.5	25.70	17.85	0.061	13419	13M4G7W
	QPSK			25.22	17.37	0.055	13435	13M4G7W
	16QAM			24.66	16.81	0.048	13443	13M4D7W
20.0	BPSK	834.0	839.0	25.70	17.85	0.061	17864	17M9G7W
	QPSK			25.27	17.42	0.055	17802	17M8G7W
	16QAM			24.45	16.60	0.046	17880	17M9D7W

**LTE BAND 30**

Part 27								
EIRP Limit (W)		0.25						
Antenna Gain (dBi) (Ant 3)		-1.80						
Bandwidth (MHz)	Modulation	Low Frequency (MHz)	Upper Frequency (MHz)	Conducted Average (dBm)	EIRP Average (dBm)	EIRP Average (W)	99% BW (kHz)	Emission Designator
5.0	QPSK	2307.5	2312.5	25.00	23.20	0.209	4510	4M51G7W
	16QAM			24.39	22.59	0.182	4509	4M51D7W
10.0	QPSK	2310.0	2310.0	25.00	23.20	0.209	8993	8M99G7W
	16QAM			24.31	22.51	0.178	8992	8M99D7W

**5G NR n30**

Part 27								
EIRP Limit (W)		0.25						
Antenna Gain (dBi) (Ant 3)		-1.80						
Bandwidth (MHz)	Modulation	Low Frequency (MHz)	Upper Frequency (MHz)	Conducted Average (dBm)	EIRP Average (dBm)	EIRP Average (W)	99% BW (kHz)	Emission Designator
5.0	BPSK	2307.5	2312.5	24.50	22.70	0.186	4482	4M48G7W
	QPSK			24.43	22.63	0.183	4501	4M50G7W
	16QAM			23.60	21.80	0.151	4471	4M47D7W
10.0	BPSK	2310.0	2310.0	24.50	22.70	0.186	8958	8M96G7W
	QPSK			24.46	22.66	0.185	8974	8M97G7W
	16QAM			23.59	21.79	0.151	8957	8M96D7W

**LTE BAND 41**

Part 27								
EIRP Limit (W)		2.00						
Antenna Gain (dBi) (Ant 2)		-1.20						
Bandwidth (MHz)	Modulation	Low Frequency (MHz)	Upper Frequency (MHz)	Conducted Average (dBm)	EIRP Average (dBm)	EIRP Average (W)	99% BW (kHz)	Emission Designator
5.0	QPSK	2498.5	2687.5	28.70	27.50	0.562	4490	4M49G7W
	16QAM			28.67	27.47	0.558	4478	4M48D7W
10.0	QPSK	2501.0	2685.0	28.70	27.50	0.562	8987	8M99G7W
	16QAM			28.27	27.07	0.509	8965	8M97D7W
15.0	QPSK	2503.5	2682.5	28.70	27.50	0.562	13476	13M5G7W
	16QAM			28.14	26.94	0.494	13469	13M5D7W
20.0	QPSK	2506.0	2680.0	28.70	27.50	0.562	17921	17M9G7W
	16QAM			28.59	27.39	0.548	17912	17M9D7W

**5G NR n41**

Part 27								
EIRP Limit (W)		2.00						
Antenna Gain (dBi) (Ant 2)		-1.20						
Bandwidth (MHz)	Modulation	Low Frequency (MHz)	Upper Frequency (MHz)	Conducted Average (dBm)	EIRP Average (dBm)	EIRP Average (W)	99% BW (kHz)	Emission Designator
10.0	BPSK	2501.0	2685.0	28.70	27.50	0.562	8675	8M68G7W
	QPSK			28.27	27.07	0.509	8670	8M67G7W
	16QAM			27.31	26.11	0.408	8648	8M65D7W
15.0	BPSK	2503.5	2682.5	28.70	27.50	0.562	12909	12M9G7W
	QPSK			28.19	26.99	0.500	12971	13M0G7W
	16QAM			27.49	26.29	0.426	12990	13M0D7W
20.0	BPSK	2506.5	2680.0	28.70	27.50	0.562	17910	17M9G7W
	QPSK			28.26	27.06	0.508	17981	18M0G7W
	16QAM			27.21	26.01	0.399	17893	17M9D7W
30.0	BPSK	2511.0	2675.0	28.70	27.50	0.562	26871	26M9G7W
	QPSK			28.02	26.82	0.481	26894	26M9G7W
	16QAM			27.18	25.98	0.396	26959	27M0D7W
40.0	BPSK	2516.0	2670.0	28.70	27.50	0.562	35840	35M8G7W
	QPSK			28.15	26.95	0.495	35780	35M8G7W
	16QAM			26.97	25.77	0.378	35707	35M7D7W
50.0	BPSK	2521.0	2665.0	28.70	27.50	0.562	45753	45M8G7W
	QPSK			28.27	27.07	0.509	45875	45M9G7W
	16QAM			27.07	25.87	0.386	45897	45M9D7W
60.0	BPSK	2526.0	2660.0	28.70	27.50	0.562	57861	57M9G7W
	QPSK			28.16	26.96	0.497	58079	58M1G7W
	16QAM			27.23	26.03	0.401	58026	58M0D7W
70.0	BPSK	2531.0	2655.0	28.70	27.50	0.562	64520	64M5G7W
	QPSK			27.90	26.70	0.468	64455	64M5G7W
	16QAM			27.39	26.19	0.416	64396	64M4D7W
80.0	BPSK	2536.0	2650.0	28.70	27.50	0.562	77034	77M0G7W
	QPSK			28.23	27.03	0.505	77141	77M1G7W
	16QAM			26.90	25.70	0.372	77398	77M4D7W
90.0	BPSK	2541.0	2645.0	28.70	27.50	0.562	86995	87M0G7W
	QPSK			28.01	26.81	0.480	86875	86M9G7W
	16QAM			27.00	25.80	0.380	87042	87M0D7W
100.0	BPSK	2546.0	2640.0	28.70	27.50	0.562	96390	96M4G7W
	QPSK			28.27	27.07	0.509	96701	96M7G7W
	16QAM			27.35	26.15	0.412	96528	96M5D7W

**LTE BAND 48**

**LOW CHANNEL**

Part 96								
EIRP Limit (W)/ 10MHz		0.20						
Antenna Gain (dBi) (Ant 7)		-4.10						
Bandwidth (MHz)	Modulation	Low Frequency (MHz)	Upper Frequency (MHz)	Conducted Average (dBm)	EIRP Average (dBm)	EIRP Average (W)	99% BW (kHz)	Emission Designator
5.0	QPSK	3552.5	3697.5	26.00	21.90	0.155	4491	4M49G7W
	16QAM			25.00	20.90	0.123	4496	4M50D7W
10.0	QPSK	3555.0	3695.0	26.00	21.90	0.155	8995	9M00G7W
	16QAM			25.04	20.94	0.124	8954	8M95D7W
15.0	QPSK	3557.5	3692.5	26.00	21.90	0.155	13372	13M4G7W
	16QAM			25.00	20.90	0.123	13488	13M5D7W
20.0	QPSK	3560.0	3690.0	26.00	21.90	0.155	17870	17M9G7W
	16QAM			25.22	21.12	0.129	17896	17M9D7W

**MIDDLE CHANNEL**

Part 96								
EIRP Limit (W)/ 10MHz		0.20						
Antenna Gain (dBi) (Ant 7)		-3.70						
Bandwidth (MHz)	Modulation	Low Frequency (MHz)	Upper Frequency (MHz)	Conducted Average (dBm)	EIRP Average (dBm)	EIRP Average (W)	99% BW (kHz)	Emission Designator
5.0	QPSK	3552.5	3697.5	25.79	22.09	0.162	4491	4M49G7W
	16QAM			24.82	21.12	0.129	4496	4M50D7W
10.0	QPSK	3555.0	3695.0	25.83	22.13	0.163	8995	9M00G7W
	16QAM			24.88	21.18	0.131	8954	8M95D7W
15.0	QPSK	3557.5	3692.5	25.66	21.96	0.157	13372	13M4G7W
	16QAM			24.97	21.27	0.134	13488	13M5D7W
20.0	QPSK	3560.0	3690.0	25.68	21.98	0.158	17870	17M9G7W
	16QAM			25.10	21.40	0.138	17896	17M9D7W

**HIGH CHANNEL**

Part 96								
EIRP Limit (W)/ 10MHz		0.20						
Antenna Gain (dBi) (Ant 7)		-3.60						
Bandwidth (MHz)	Modulation	Low Frequency (MHz)	Upper Frequency (MHz)	Conducted Average (dBm)	EIRP Average (dBm)	EIRP Average (W)	99% BW (kHz)	Emission Designator
5.0	QPSK	3552.5	3697.5	25.81	22.21	0.166	4491	4M49G7W
	16QAM			24.86	21.26	0.134	4496	4M50D7W
10.0	QPSK	3555.0	3695.0	25.87	22.27	0.169	8995	9M00G7W
	16QAM			24.82	21.22	0.132	8954	8M95D7W
15.0	QPSK	3557.5	3692.5	25.84	22.24	0.167	13372	13M4G7W
	16QAM			24.90	21.30	0.135	13488	13M5D7W
20.0	QPSK	3560.0	3690.0	25.80	22.20	0.166	17870	17M9G7W
	16QAM			25.04	21.44	0.139	17896	17M9D7W

**5G NR n48**

**LOW CHANNEL**

Part 96								
EIRP Limit (W)								
0.20								
Antenna Gain (dBi) (Ant 7)								
-4.10								
Bandwidth (MHz)	Modulation	Low Frequency (MHz)	Upper Frequency (MHz)	Conducted Average (dBm)	EIRP Average (dBm)	EIRP Average (W)	99% BW (kHz)	Emission Designator
10.0	BPSK	3555.0	3695.0	25.98	21.88	0.154	8654	8M65G7W
	QPSK			25.57	21.47	0.140	8649	8M65G7W
	16QAM			24.39	20.29	0.107	8548	8M55D7W
15.0	BPSK	3557.5	3692.5	25.90	21.80	0.151	12898	12M9G7W
	QPSK			25.47	21.37	0.137	12916	12M9G7W
	16QAM			24.78	20.68	0.117	12898	12M9D7W
20.0	BPSK	3560.0	3690.0	25.72	21.62	0.145	17851	17M9G7W
	QPSK			25.30	21.20	0.132	17834	17M8G7W
	16QAM			24.15	20.05	0.101	17928	17M9D7W
30.0	BPSK	3565.0	3685.0	24.88	20.78	0.120	26764	26M8G7W
	QPSK			24.34	20.24	0.106	26847	26M8G7W
	16QAM			23.15	19.05	0.080	26863	26M9D7W
40.0	BPSK	3570.0	3680.0	26.00	21.90	0.155	35622	35M6G7W
	QPSK			25.57	21.47	0.140	35493	35M5G7W
	16QAM			24.82	20.72	0.118	35599	35M6D7W

**MIDDLE CHANNEL**

Part 96								
EIRP Limit (W)								
0.20								
Antenna Gain (dBi) (Ant 7)								
-3.70								
Bandwidth (MHz)	Modulation	Low Frequency (MHz)	Upper Frequency (MHz)	Conducted Average (dBm)	EIRP Average (dBm)	EIRP Average (W)	99% BW (kHz)	Emission Designator
10.0	BPSK	3555.0	3695.0	25.62	21.92	0.156	8654	8M65G7W
	QPSK			25.29	21.59	0.144	8649	8M65G7W
	16QAM			24.30	20.60	0.115	8548	8M55D7W
15.0	BPSK	3557.5	3692.5	25.69	21.99	0.158	12898	12M9D7W
	QPSK			25.43	21.73	0.149	12916	12M9D7W
	16QAM			24.26	20.56	0.114	12898	12M9D7W
20.0	BPSK	3560.0	3690.0	26.00	22.30	0.170	17851	17M9G7W
	QPSK			25.48	21.78	0.151	17834	17M8G7W
	16QAM			24.71	21.01	0.126	17928	17M9D7W
30.0	BPSK	3565.0	3685.0	26.00	22.30	0.170	26764	26M8G7W
	QPSK			25.57	21.87	0.154	26847	26M8G7W
	16QAM			24.98	21.28	0.134	26863	26M9D7W
40.0	BPSK	3570.0	3680.0	25.31	21.61	0.145	35622	35M6G7W
	QPSK			24.72	21.02	0.126	35493	35M5G7W
	16QAM			23.67	19.97	0.099	35599	35M6D7W

**HIGH CHANNEL**

Part 96								
EIRP Limit (W)		0.20						
Antenna Gain (dBi) (Ant 7)		-3.60						
Bandwidth (MHz)	Modulation	Low Frequency (MHz)	Upper Frequency (MHz)	Conducted Average (dBm)	EIRP Average (dBm)	EIRP Average (W)	99% BW (kHz)	Emission Designator
10.0	BPSK	3555.0	3695.0	26.00	22.40	0.174	8654	8M65G7W
	QPSK			25.57	21.97	0.157	8649	8M65G7W
	16QAM			24.38	20.78	0.120	8548	8M55D7W
15.0	BPSK	3557.5	3692.5	26.00	22.40	0.174	12898	12M9D7W
	QPSK			25.57	21.97	0.157	12916	12M9D7W
	16QAM			24.51	20.91	0.123	12898	12M9D7W
20.0	BPSK	3560.0	3690.0	25.95	22.35	0.172	17851	17M9G7W
	QPSK			25.52	21.92	0.156	17834	17M8G7W
	16QAM			24.43	20.83	0.121	17928	17M9D7W
30.0	BPSK	3565.0	3685.0	25.71	22.11	0.163	26764	26M8G7W
	QPSK			25.17	21.57	0.144	26847	26M8G7W
	16QAM			24.11	20.51	0.112	26863	26M9D7W
40.0	BPSK	3570.0	3680.0	25.40	21.80	0.151	35622	35M6G7W
	QPSK			25.03	21.43	0.139	35493	35M5G7W
	16QAM			24.37	20.77	0.119	35599	35M6D7W

**LTE BAND 66**

Part 27								
EIRP Limit (W)		1.00						
Antenna Gain (dBi) (Ant 4)		-1.50						
Bandwidth (MHz)	Modulation	Low Frequency (MHz)	Upper Frequency (MHz)	Conducted Average (dBm)	EIRP Average (dBm)	EIRP Average (W)	99% BW (kHz)	Emission Designator
1.4	QPSK	1710.7	1779.3	25.20	23.70	0.234	1092	1M09G7W
	16QAM			24.25	22.75	0.188	1093	1M09D7W
3.0	QPSK	1711.5	1778.5	25.20	23.70	0.234	2706	2M71G7W
	16QAM			24.29	22.79	0.190	2709	2M71D7W
5.0	QPSK	1712.5	1777.5	25.20	23.70	0.234	4507	4M51G7W
	16QAM			24.25	22.75	0.188	4492	4M49D7W
10.0	QPSK	1715.0	1775.0	25.20	23.70	0.234	8978	8M98G7W
	16QAM			24.25	22.75	0.188	8982	8M98D7W
15.0	QPSK	1717.5	1772.5	25.20	23.70	0.234	13437	13M4G7W
	16QAM			24.34	22.84	0.192	13469	13M5D7W
20.0	QPSK	1720.0	1770.0	25.20	23.70	0.234	17933	17M9G7W
	16QAM			24.30	22.80	0.191	17831	17M8D7W



**5G NR n66**

Part 27								
EIRP Limit (W)		1.00						
Antenna Gain (dBi) (Ant 4)		-1.50						
Bandwidth (MHz)	Modulation	Low Frequency (MHz)	Upper Frequency (MHz)	Conducted Average (dBm)	EIRP Average (dBm)	EIRP Average (W)	99% BW (kHz)	Emission Designator
5.0	BPSK	1712.5	1777.5	25.20	23.70	0.234	4510	4M51G7W
	QPSK			25.07	23.57	0.228	4489	4M49G7W
	16QAM			24.61	23.11	0.205	4502	4M50D7W
10.0	BPSK	1715.0	1775.0	25.20	23.70	0.234	8953	8M95G7W
	QPSK			25.07	23.57	0.228	8981	8M96G7W
	16QAM			24.38	22.88	0.194	8979	8M98D7W
15.0	BPSK	1717.5	1772.5	25.20	23.70	0.234	13437	13M4G7W
	QPSK			25.07	23.57	0.228	13408	13M4G7W
	16QAM			24.51	23.01	0.200	13481	13M5D7W
20.0	BPSK	1720.0	1770.0	25.20	23.70	0.234	17888	17M9G7W
	QPSK			25.04	23.54	0.226	17855	17M9G7W
	16QAM			24.49	22.99	0.199	17874	17M9D7W
25.0	BPSK	1722.5	1767.5	25.20	23.70	0.234	22847	22M8D7W
	QPSK			25.07	23.57	0.228	22948	22M9D7W
	16QAM			24.58	23.08	0.203	22892	22M9D7W
30.0	BPSK	1725.0	1765.0	25.20	23.70	0.234	28629	28M6G7W
	QPSK			25.07	23.57	0.228	28610	28M6G7W
	16QAM			24.53	23.03	0.201	28629	28M6D7W
35.0	BPSK	1727.5	1767.5	25.20	23.70	0.234	32188	32M2D7W
	QPSK			25.07	23.57	0.228	32153	32M2D7W
	16QAM			24.50	23.00	0.200	32067	32M1D7W
40.0	BPSK	1730.0	1760.0	25.20	23.70	0.234	38632	38M6G7W
	QPSK			25.03	23.53	0.225	38642	38M6G7W
	16QAM			24.37	22.87	0.194	38530	38M5D7W

**5G NR n70**

Part 27								
EIRP Limit (W)		1.00						
Antenna Gain (dBi) (Ant 4)		-0.60						
Bandwidth (MHz)	Modulation	Low Frequency (MHz)	Upper Frequency (MHz)	Conducted Average (dBm)	EIRP Average (dBm)	EIRP Average (W)	99% BW (kHz)	Emission Designator
5.0	BPSK	1697.5	1707.5	25.20	24.60	0.288	4484	4M48G7W
	QPSK			25.07	24.47	0.280	4486	4M49G7W
	16QAM			24.30	23.70	0.234	4472	4M47D7W
10.0	BPSK	1700.0	1705.0	25.20	24.60	0.288	8945	8M95G7W
	QPSK			25.07	24.47	0.280	8962	8M96G7W
	16QAM			24.53	23.93	0.247	8954	8M95D7W
15.0	BPSK	1702.5	1702.5	25.20	24.60	0.288	13420	13M4G7W
	QPSK			24.94	24.34	0.272	13446	13M4G7W
	16QAM			24.27	23.67	0.233	13436	13M4D7W

**LTE BAND 71**

Part 27										
ERP Limit (W)		3.00								
Antenna Gain (dBi) (Ant 2)		-5.00								
Bandwidth (MHz)	Modulation	Low Frequency (MHz)	Upper Frequency (MHz)	Conducted Average (dBm)	ERP Average (dBm)	ERP Average (W)	99% BW (kHz)	Emission Designator		
5.0	QPSK	665.5	695.5	24.70	17.55	0.057	4494	4M49G7W		
	16QAM			23.50	16.35	0.043	4502	4M50D7W		
10.0	QPSK	668.0	693.0	24.70	17.55	0.057	8967	8M97G7W		
	16QAM			23.41	16.26	0.042	8961	8M96D7W		
15.0	QPSK	670.5	690.5	24.70	17.55	0.057	13449	13M4G7W		
	16QAM			23.55	16.40	0.044	13450	13M5D7W		
20.0	QPSK	673.0	688.0	24.70	17.55	0.057	17882	17M9G7W		
	16QAM			23.58	16.43	0.044	17912	17M9D7W		

**5G NR n71**

Part 27										
ERP Limit (W)		3.00								
Antenna Gain (dBi) (Ant 2)		-5.00								
Bandwidth (MHz)	Modulation	Low Frequency (MHz)	Upper Frequency (MHz)	Conducted Average (dBm)	ERP Average (dBm)	ERP Average (W)	99% BW (kHz)	Emission Designator		
5.0	BPSK	665.5	695.5	24.70	17.55	0.057	4501	4M50G7W		
	QPSK			24.15	17.00	0.050	4488	4M49G7W		
	16QAM			23.48	16.33	0.043	4493	4M49D7W		
10.0	BPSK	668.0	693.0	24.70	17.55	0.057	8950	8M95G7W		
	QPSK			24.27	17.12	0.052	8944	8M94G7W		
	16QAM			23.40	16.25	0.042	8954	8M95D7W		
15.0	BPSK	670.5	690.5	24.70	17.55	0.057	13369	13M4D7W		
	QPSK			24.27	17.12	0.052	13398	13M4D7W		
	16QAM			23.53	16.38	0.043	13397	13M4D7W		
20.0	BPSK	673.0	688.0	24.70	17.55	0.057	17914	17M9G7W		
	QPSK			24.24	17.09	0.051	17863	17M9G7W		
	16QAM			23.80	16.65	0.046	17817	17M8D7W		

**5G NR n77 (Part 27 3450-3550MHz)**

Part 27								
EIRP Limit (W)		1.00						
Antenna Gain (dBi) (Ant 9)		-6.30						
Bandwidth (MHz)	Modulation	Low Frequency (MHz)	Upper Frequency (MHz)	Conducted Average (dBm)	EIRP Average (dBm)	EIRP Average (W)	99% BW (kHz)	Emission Designator
10.0	BPSK	3455.0	3545.0	28.70	22.40	0.174	8603	8M60G7W
	QPSK			28.66	22.36	0.172	8570	8M57G7W
	16QAM			28.61	22.31	0.170	8587	8M59D7W
15.0	BPSK	3457.5	3542.5	28.70	22.40	0.174	12922	12M9G7W
	QPSK			28.66	22.36	0.172	12910	12M9G7W
	16QAM			28.65	22.35	0.172	12960	13M0D7W
20.0	BPSK	3460.0	3540.0	28.70	22.40	0.174	17877	17M9G7W
	QPSK			28.64	22.34	0.171	17895	17M9G7W
	16QAM			28.62	22.32	0.171	17908	17M9D7W
30.0	BPSK	3465.0	3535.0	28.70	22.40	0.174	26935	26M9G7W
	QPSK			28.55	22.25	0.168	26886	26M9G7W
	16QAM			28.53	22.23	0.167	26807	26M8D7W
40.0	BPSK	3470.0	3530.0	28.70	22.40	0.174	36008	36M0G7W
	QPSK			27.64	21.34	0.136	35759	35M8G7W
	16QAM			27.60	21.30	0.135	35682	35M7D7W
50.0	BPSK	3475.0	3525.0	28.70	22.40	0.174	45777	45M8G7W
	QPSK			28.23	21.93	0.156	45784	45M8G7W
	16QAM			27.87	21.57	0.144	45765	45M8D7W
60.0	BPSK	3480.0	3520.0	28.70	22.40	0.174	57971	58M0G7W
	QPSK			28.67	22.37	0.173	57806	57M8G7W
	16QAM			28.22	21.92	0.156	57896	57M9D7W
70.0	BPSK	3485.0	3515.0	28.70	22.40	0.174	64363	64M4G7W
	QPSK			28.63	22.33	0.171	64360	64M4G7W
	16QAM			28.18	21.88	0.154	64377	64M4D7W
80.0	BPSK	3490.0	3510.0	28.70	22.40	0.174	77134	77M1G7W
	QPSK			28.64	22.34	0.171	77091	77M1G7W
	16QAM			28.24	21.94	0.156	77221	77M2D7W
90.0	BPSK	3495.0	3505.0	28.70	22.40	0.174	87006	87M0G7W
	QPSK			28.66	22.36	0.172	86684	86M7G7W
	16QAM			28.00	21.70	0.148	86844	86M8D7W
100.0	BPSK	3500.0	3500.0	28.70	22.40	0.174	96403	96M4G7W
	QPSK			28.69	22.39	0.173	96595	96M6G7W
	16QAM			27.96	21.66	0.147	96619	96M6D7W

**5G NR n77 (Part 27 3700-3980MHz)**

Part 27								
EIRP Limit (W)		1.00						
Antenna Gain (dBi) (Ant 7)		-5.80						
Bandwidth (MHz)	Modulation	Low Frequency (MHz)	Upper Frequency (MHz)	Conducted Average (dBm)	EIRP Average (dBm)	EIRP Average (W)	99% BW (kHz)	Emission Designator
10.0	BPSK	3705.0	3975.0	28.70	22.90	0.195	8603	8M60G7W
	QPSK			28.28	22.48	0.177	8620	8M62G7W
	16QAM			28.27	22.47	0.177	8603	8M60D7W
15.0	BPSK	3707.5	3972.5	28.70	22.90	0.195	12867	12M9G7W
	QPSK			28.47	22.67	0.185	12924	12M9G7W
	16QAM			28.27	22.47	0.177	12840	12M8D7W
20.0	BPSK	3710.0	3970.0	28.70	22.90	0.195	17948	17M9G7W
	QPSK			28.45	22.65	0.184	17926	17M9G7W
	16QAM			28.27	22.47	0.177	17920	17M9D7W
30.0	BPSK	3715.0	3965.0	28.70	22.90	0.195	26812	26M8G7W
	QPSK			28.27	22.47	0.177	26813	26M8G7W
	16QAM			28.25	22.45	0.176	26861	26M9D7W
40.0	BPSK	3720.0	3960.0	28.70	22.90	0.195	35734	35M7G7W
	QPSK			28.58	22.78	0.190	35748	35M7G7W
	16QAM			28.27	22.47	0.177	35664	35M7D7W
50.0	BPSK	3725.0	3955.0	28.70	22.90	0.195	45759	45M8G7W
	QPSK			28.56	22.76	0.189	45720	45M7G7W
	16QAM			28.24	22.44	0.175	45686	45M7D7W
60.0	BPSK	3730.0	3950.0	28.70	22.90	0.195	58041	58M0G7W
	QPSK			28.22	22.42	0.175	57897	57M9G7W
	16QAM			28.21	22.41	0.174	57841	57M8D7W
70.0	BPSK	3735.0	3945.0	28.70	22.90	0.195	64379	64M4G7W
	QPSK			28.37	22.57	0.181	64396	64M4G7W
	16QAM			28.27	22.47	0.177	64465	64M5D7W
80.0	BPSK	3740.0	3940.0	28.70	22.90	0.195	77333	77M3G7W
	QPSK			28.20	22.40	0.174	77233	77M2G7W
	16QAM			28.18	22.38	0.173	77216	77M2D7W
90.0	BPSK	3745.0	3935.0	28.70	22.90	0.195	86622	86M6G7W
	QPSK			28.26	22.46	0.176	86927	86M9G7W
	16QAM			28.26	22.46	0.176	86981	87M0D7W
100.0	BPSK	3750.0	3930.0	28.70	22.90	0.195	96437	96M4G7W
	QPSK			28.27	22.47	0.177	96346	96M3G7W
	16QAM			28.21	22.41	0.174	96431	96M4D7W

### 6.3. SOFTWARE AND FIRMWARE

The EUT firmware installed during testing was version 0.13.02.

### 6.4. MAXIMUM ANTENNA GAIN

The antenna(s) gain and type, as provided by the manufacturer' are as follows:

LTE and 5G NR Bands	Frequency Range (MHz)	ANT 1 Antenna Gain (dBi)	ANT 2 Antenna Gain (dBi)	ANT 3 Antenna Gain (dBi)	ANT 4 Antenna Gain (dBi)	ANT 7 Antenna Gain (dBi)	ANT 8 Antenna Gain (dBi)	ANT 9 Antenna Gain (dBi)
LTE Band 2, 5G NR n2	1850 – 1910	-5.3	-1.1	-0.9	0.0			
LTE Band 4	1710 – 1755	-3.6	-4.6	-3.2	-1.3			
LTE Band 5, 5G NR n5	824 - 849	-5.7	-5.1	-8.6				
LTE Band 7, 5G NR n7	2500 – 2570	-3.3	-2.1	-2.4	-1.3			
LTE Band 12, 5G NR n12	699 – 716	-5.2	-5.1	-8.0				
LTE Band 13	777 – 787	-5.5	-5.6	-7.6				
LTE Band 14, 5G NR n14	788 – 798	-5.5	-5.6	-7.6				
LTE Band 17	704 – 716	-5.2	-5.1	-8.0				
LTE Band 25, 5G NR n25	1850 – 1915	-5.3	-1.1	-0.9	0.0			
LTE Band 26, 5G NR 26	814 – 849	-5.7	-5.1	-8.6				
LTE Band 30, 5G NR n30	2305 – 2315	-3.3	-2.7	-1.8	-2.3			
LTE Band 41, 5G NR n41	2496 – 2690	-3.2	-1.2	-2.5	-1.2			
LTE Band 48, 5G NR n48 (Low)	3550 – 3600				-2.5	-4.1	-6.6	-6.0
LTE Band 48, 5G NR n48 (Mid)	3600 – 3650				-3.2	-3.7	-4.4	-5.9
LTE Band 48, 5G NR n48 (High)	3650 – 3700				-4.1	-3.6	-4.9	-6.3
LTE Band 66, 5G NR n66	1710 – 1780	-3.9	-4.8	-2.8	-1.5			
5G NR n70	1695 – 1710	-3.1	-3.9	-3.4	-0.6			
LTE Band 71, 5G NR n71	663 – 698	-6.6	-5.0	-9.9				
5G NR n77	3450 - 3550				-5.3	-7.7	-7.7	-6.3
5G NR n77	3700 – 3980				-6.8	-5.8	-6.1	-7.0

## 6.5. WORST-CASE CONFIGURATION AND MODE

The EUT supports the following LTE and 5G NRs:

Band 2, Band 4, Band 5, Band 7, Band 12, Band 13, Band 14, Band 17, Band 25, Band 26, Band 30, Band 41, Band 48, Band 66, Band 71, 5G NR n2, 5G NR n5, 5G NR n7, 5G NR n12, 5G NR n14, 5G NR n25, 5G NR n26, 5G NR n30, 5G NR n41, 5G NR n48, 5G NR n66, 5G NR n70, 5G NR n71, and 5G NR n77.

LTE Band 2 and 5G NR n2 (1850-1910MHz) are covered by LTE Band 25 and 5G NR n25 respectively. Because they are the subset of LTE band 25 and 5G NR n25 with the same output power and supported bandwidths.

LTE Band 4 (1710-1755MHz, 5/10/15/20MHz bandwidth) is covered by LTE Band 66 because it is a subset of LTE band 66 and they have same output power.

FCC rule Part 22.905 (824-849MHz) of LTE Band 5 and 5G NR n5 are covered by LTE Band 26 and 5G NR n26 of same rule since they have the same output power and supported bandwidths.

For 5G NRs, conducted spurious emission tests were conducted on wider bandwidth with inner 1RB since this is the worst bandwidth and the highest output power.

BPSK modulation applied only for 5G NR frequencies and has the same tune up power as QPSK modulations.

The DFT-s-OFDM and CP-OFDM waveforms were investigated, and DFT-s-OFDM was found to be the worst case.

The worst-case scenario for all measurements is based on an engineering evaluation made on different modulations. Then, QPSK and BPSK were observed as the worst mode to LTE bands and 5G NR bands respectively and set for all conducted and radiated. Output power measurements were measured on BPSK, QPSK, 16QAM, 64QAM, and 256QAM modulations. For testing purposes emissions on sections 8 and 9 were measured while QPSK/BPSK was set at or above target power for all bands. Conducted tests were performed on the worst-case antenna port because it has the highest conducted power. The worst-case antenna port is shown in the table below.

LTE and 5G NR Bands	Worst case Antenna Port for Conducted Power
LTE BAND 7 and 5G NR n7	Ant 1
LTE BAND 12 and 5G NR n12	
LTE BAND 13	
LTE BAND 14 and 5G NR n14	
LTE Band 17	
LTE BAND 25 and 5G NR n25	
LTE BAND 26 and 5G NR n26	
LTE BAND 30 and 5G NR n30	
LTE BAND 41	
LTE BAND 66 and 5G NR n66	
5G NR n70	
LTE BAND 71 and 5G NR n71	
5G NR n41	
LTE BAND 48 and 5G NR n48	Ant 7
5G NR n77	

The EUT was investigated in three orthogonal orientations X/Y/Z on all ANT 1, ANT2, ANT3, ANT4, ANT7, ANT8 and ANT 9 antennas to determine the worst case orientation. The following table exhibit the worst case orientation for different frequency bands. The full tests of the EUT have made upon the orientations that shown in the table below.

Frequency Bands	ANT1	ANT2	ANT3	ANT4	ANT7	ANT8	ANT9
663 – 849 MHz	X	X	X	N/A	N/A	N/A	N/A
1710 – 1915 MHz	X	X	X	X	N/A	N/A	N/A
2300 – 2700 MHz	X	X	X	Y	N/A	N/A	N/A
3300 – 3980 MHz	N/A	N/A	N/A	Y	Y	Y	Y

Radiated spurious emissions were investigated from 9kHz to 30MHz, 30MHz-1GHz and above 18GHz. There were no emissions found with less than 20dB of margin from 9kHz to 30MHz, 30MHz-1GHz and above 18GHz.

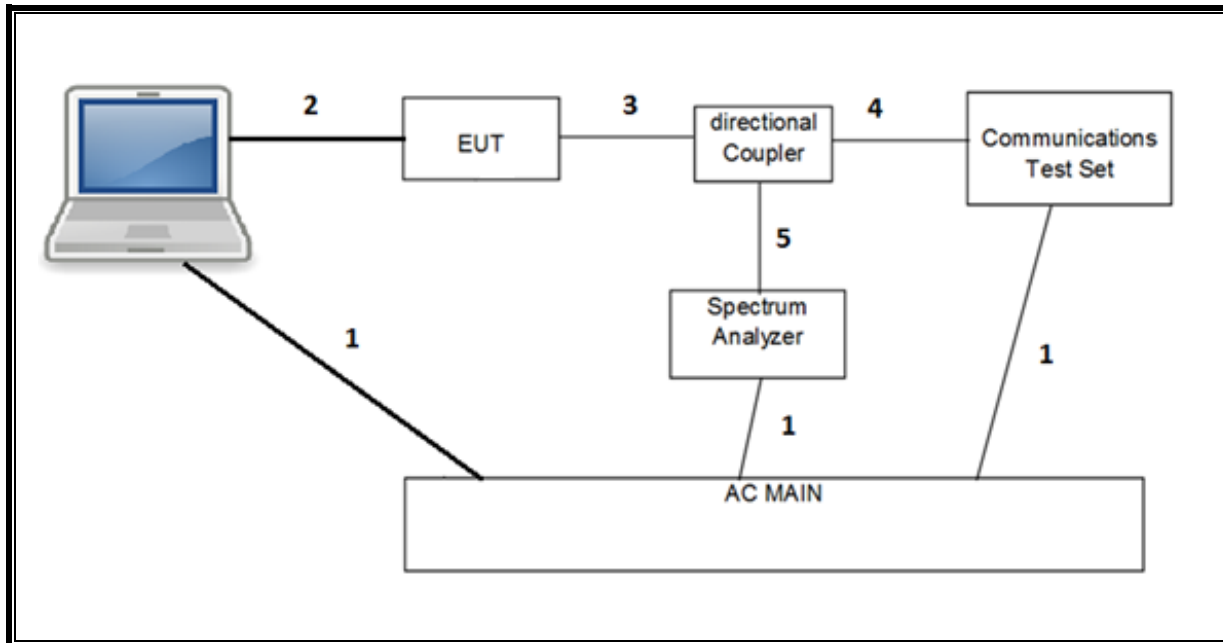
For simultaneous transmission of multiple channels in the 2.4GHz/5GH WLAN, UWB, and Cellular bands, tests were conducted for various configurations having the highest power, least separation in frequencies and widest operation bandwidths. No noticeable new emission was found.

## 6.6. DESCRIPTION OF TEST SETUP

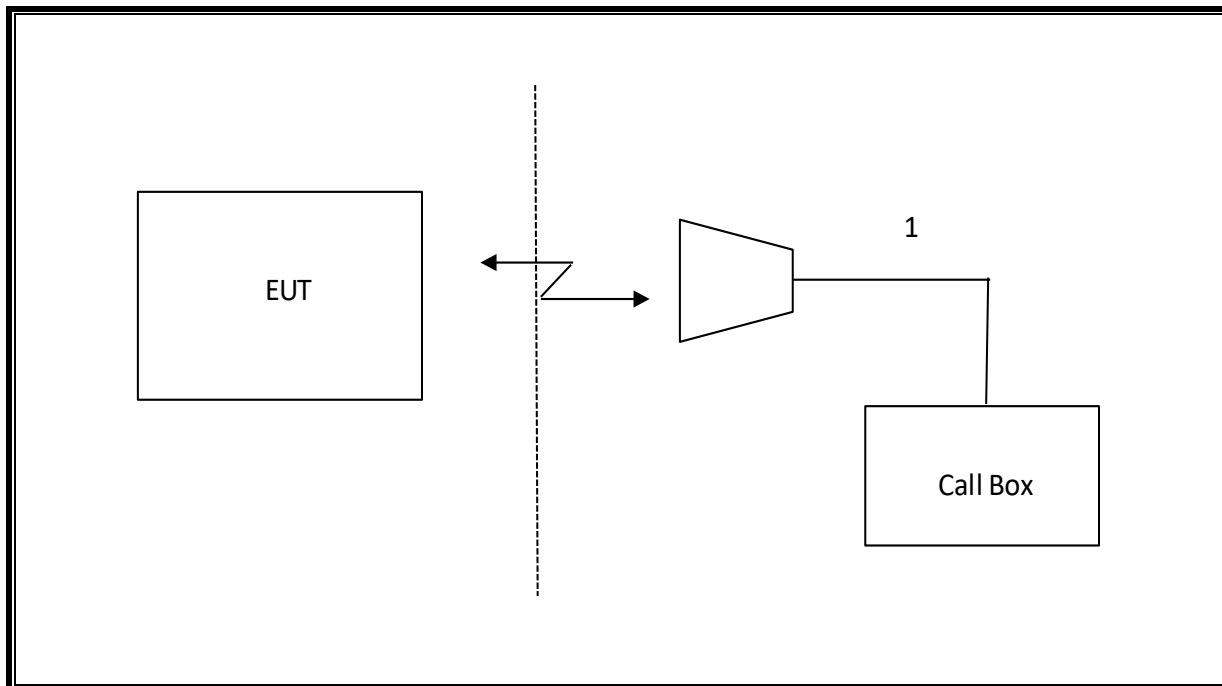
SUPPORT TEST EQUIPMENT						
Description	Manufacturer	Model	Serial Number	FCC ID/ DoC		
Laptop	Apple	MacBook Pro	HRP081469	--		
AC/DC adapter	Apple	A1718	C4H64450HH3GN8RA6	--		
I/O CABLES (RF CONDUCTED TEST)						
Cable No.	Port	# of Identical Ports	Connector Type	Cable Type	Cable Length (m)	Remarks
1	AC	3	US 115V	Un-shielded	2.0	N/A
2	USB	1	DC	Un-shielded	1.0	N/A
3	RF In/Out	1	EUT	Un-shielded	0.6	N/A
4	RF In/Out	1	Communication Test Set	Un-shielded	1.2	N/A
5	RF In/Out	1	Barrel	N/A	N/A	N/A
I/O CABLES (RF RADIATED TEST)						
Cable No.	Port	# of Identical Ports	Connector Type	Cable Type	Cable Length (m)	Remarks
1	RF In/Out	1	Antenna	Un-shielded	5.0	N/A



**CONDUCTED SETUP**



**RADIATED SETUP**



## 7. TEST AND MEASUREMENT EQUIPMENT

The following test and measurement equipment was utilized for the tests documented in this report:

TEST EQUIPMENT LIST				
Description	Manufacturer	Model	Asset	Cal Due
*Antenna, Horn 1-18GHz	ETS Lindgren	3117	79834	06/082203
*Antenna, Broadband Hybrid, 30MHz to 2000MHz	Sunol Sciences	JB3	85151	04/30/2024
Spectrum Analyzer, PXA, 3Hz to 44GHz	Keysight	N9030A	85313	02/29/2024
Spectrum Analyzer, PXA	Keysight	N9030B	222074	07/16/2023
Spectrum Analyzer, PXA, 3Hz to 44GHz	Keysight	N9030A	85201	02/29/2024
Spectrum Analyzer, PXA	Keysight	N9030B	85214	07/18/2023
Spectrum Analyzer, PXA	Keysight	N9030B	222073	07/22/2023
PXA Signal Analyzer	Keysight	N9030B	222073	07/22/2023
EMI TEST RECEIVER	Rohde & Schwarz	ESW44	230548	02/29/2024
EMI TEST RECEIVER	Rohde & Schwarz	ESW44	201498	02/29/2024
Directional Coupler	KRYTAR	152610	198816	09/23/2023
Directional Coupler	KRYTAR	152610	198817	09/23/2023
Directional Coupler	KRYTAR	152610	135712	09/23/2023
Power Meter, P-series single channel	Keysight	N1912A	90630	01/24/2024
Power Meter, P-series single channel	Keysight	N1912A	90719	01/31/2024
Power Meter, P-series single channel	Agilent	N1911A	82174	01/31/2024
Power Sensor, P – series, 50MHz to 18GHz, Wideband	Keysight	N1921A	90389	01/31/2024
Filter, BRF 2495 – 2690 MHz	Micro-Tronics	155050	155055	12/28/2023
Filter, BRF 3.4 – 3.8GHz	Micro-Tronics	208398	208398	08/19/2023
Wideband Communication Test Set, Call Box	Rohde & Schwarz	CMW500	222792	02/29/2024
Wideband Communication Test Set, Call Box	Rohde & Schwarz	CMW500	230298	02/29/2024
Wideband Communication Test Set, Call Box	Rohde & Schwarz	CMW500	230295	02/29/2024
Wideband Communication Test Set, Call Box	Rohde & Schwarz	CMW500	22796	02/29/2024
Wideband Communication Test Set, Call Box	Rohde & Schwarz	CMW500	230297	02/29/2024
*5G NR Communication Test Set, Call Box	Keysight	UXM	207269	01/31/2024
*5G NR Communication Test Set, Call Box	Keysight	UXM	199836	01/31/2024
*Chamber, Environmental	Cincinnati Sub Zero	ZPHS-8-3.5-SCT/WC	82472	11/16/2023
*Amplifier, 218GHz to 26.5GHz	Ampical	AMP18G26.5-60	171583	02/29/2024
*Amplifier, 26.5GHz to 40GHz	Ampical	AMP26G40-65	172346	02/29/20224
Antenna, Horn 18 to 26.5GHz	ARA	MWH-1826/B	172362	03/31/2024
Antenna, Horn 26.5GHz to 40GHz	ARA	MWH-2640/B	172365	03/31/2024
*Antenna, Active Loop 100KHz to 30MHz	ELECTRO-METRICS	EM-6872	219911	05/10/2023
*Antenna, Active Loop 30Hz to 1MHz	ELECTRO-METRICS	EM-6871	219909	05/10/2023
10dB Fixed Attenuator	Pasternack Enterprises	PE7087-10	236360	Verified/Characterized before use
10dB Fixed Attenuator	Pasternack Enterprises	PE7087-10	236285	Verified/Characterized before use
10dB Fixed Attenuator	Pasternack Enterprises	PE7087-10	236355	Verified/Characterized before use
UL AUTOMATION SOFTWARE				
CLT Software	UL	UL RF		Ver 3.4, May 20, 2022
Power Measurement Software	UL	UL RF		Ver 3.1.4, April 29, 2022
Radiated test software	UL	UL RF		Ver 9.5, Jan 21, 2022

**NOTES:**

- \* Testing is completed before equipment expiration date.

## 8. RF OUTPUT POWER VERIFICATION

### CONDUCTED OUTPUT POWER MEASUREMENT PROCEDURE

All LTE bands conducted average power is obtained from the CMW500 telecommunication test set.

The following tests were conducted according to the test requirements outlined in section 6.2 of the 3GPP TS136.101 specification.

UE Power Class: 3 (23 +/- 2dBm). Band 41 UE Power Class: 2 (26 +/-2 dBm).The allowed Maximum Power Reduction (MPR) for the maximum output power due to higher order modulation and transmit bandwidth configuration (resource blocks) is specified in Table 6.2.3-1 of the 3GPP TS136.101.

**Table 6.2.3-1: Maximum Power Reduction (MPR) for Power Class 1, 2 and 3**

Modulation	Channel bandwidth / Transmission bandwidth ( $N_{RB}$ )						MPR (dB)
	1.4 MHz	3.0 MHz	5 MHz	10 MHz	15 MHz	20 MHz	
QPSK	> 5	> 4	> 8	> 12	> 16	> 18	≤ 1
16 QAM	≤ 5	≤ 4	≤ 8	≤ 12	≤ 16	≤ 18	≤ 1
16 QAM	> 5	> 4	> 8	> 12	> 16	> 18	≤ 2
64 QAM	≤ 5	≤ 4	≤ 8	≤ 12	≤ 16	≤ 18	≤ 2
64 QAM	> 5	> 4	> 8	> 12	> 16	> 18	≤ 3
256 QAM	≥ 1						≤ 5

The allowed A-MPR values specified below in Table 6.2.4.-1 of 3GPP TS136.101 are in addition to the allowed MPR requirements. All the measurements below were performed with A-MPR disabled, by using Network Signaling Value of "NS\_01".

**Table 6.2.4-1: Additional Maximum Power Reduction (A-MPR)**

Network Signalling value	Requirements (subclause)	E-UTRA Band	Channel bandwidth (MHz)	Resources Blocks ( $N_{RB}$ )	A-MPR (dB)
NS_01	6.6.2.1.1	Table 5.5-1	1.4, 3, 5, 10, 15, 20	Table 5.6-1	N/A
NS_03	6.6.2.2.1	2, 4, 10, 23, 25, 35, 36, 66, 70	3	>5	≤ 1
			5	>6	≤ 1
			10	>6	≤ 1
			15	>8	≤ 1
			20	>10	≤ 1
NS_04	6.6.2.2.2, 6.6.3.3.19	41	5, 10, 15, 20	Table 6.2.4-4, Table 6.2.4-4a	

### RESULTS

EUT includes different power levels for head use configuration and body use configuration and the below tables contain the highest of all configurations average conducted output powers as follows:

### 8.1. LTE BAND 7 AND 5G NR n7

#### LTE BAND 7

Test Engineer ID:	28498	Test Date:	4/7/2023
-------------------	-------	------------	----------

#### OUTPUT POWER FOR LTE BAND 7 (5.0 MHz)

Bandwidth (MHz)	Modulation	RB Allocation	RB Offset	Conducted Average (dBm)											
				ANT 1			ANT 2			ANT 3			ANT 4		
				20775	21100	21425	20775	21100	21425	20775	21100	21425	20775	21100	21425
5.0	QPSK	1	0	25.70	25.59	25.70	23.70	23.70	23.70	24.77	25.00	24.99	22.61	21.98	22.70
		1	12	25.70	25.70	25.70	23.70	23.70	23.70	25.00	25.00	25.00	22.70	21.88	22.70
		1	24	25.66	25.70	25.66	23.70	23.70	23.70	25.00	25.00	25.00	22.70	21.95	22.67
		12	0	25.45	25.25	25.24	23.68	23.64	23.67	24.86	24.83	24.93	22.60	21.61	22.64
		12	6	25.46	25.25	25.27	23.69	23.68	23.70	25.00	24.86	25.00	22.70	21.65	22.67
		12	11	25.45	25.25	25.25	23.68	23.70	23.69	24.99	24.80	24.94	22.68	21.63	22.67
		25	0	25.48	25.22	25.26	23.70	23.65	23.68	24.92	24.82	24.94	22.67	21.73	22.63
		1	0	25.37	25.25	25.38	22.98	23.01	22.92	24.12	24.41	24.33	21.76	21.01	21.86
		1	12	25.37	25.44	25.37	22.88	22.93	22.85	24.30	24.37	24.34	21.81	21.01	21.85
	1	24	25.47	25.30	25.41	22.95	22.94	22.93	24.41	24.38	24.43	21.86	21.07	21.87	
	12	0	24.54	24.34	24.35	22.70	22.67	22.76	23.87	23.81	23.99	21.59	20.76	21.65	
	12	6	24.57	24.36	24.38	22.74	22.71	22.79	23.99	23.86	24.04	21.66	20.82	21.69	
	12	11	24.52	24.36	24.34	22.71	22.69	22.80	23.98	23.82	24.00	21.68	20.77	21.64	
	25	0	24.48	24.22	24.28	22.72	22.68	22.68	23.98	23.88	23.91	21.66	20.75	21.66	
	1	0	24.24	24.28	24.34	21.90	21.93	21.86	22.94	23.18	23.16	20.89	17.92	20.97	
	1	12	24.18	24.25	24.35	21.85	21.89	21.81	23.11	23.10	23.09	20.97	17.87	20.83	
	1	24	24.23	24.29	24.27	21.88	21.83	21.84	23.15	23.16	23.17	20.99	17.93	20.94	
	12	0	23.29	23.27	23.33	21.71	21.68	21.69	22.89	22.85	22.95	20.65	18.74	20.71	
	12	6	23.34	23.33	23.33	21.79	21.72	21.73	23.00	22.90	23.01	20.74	18.79	20.75	
	12	11	23.28	23.27	23.31	21.76	21.71	21.69	23.05	22.86	22.97	20.73	18.79	20.72	
	25	0	23.40	23.27	23.26	21.72	21.69	21.64	22.96	22.87	22.95	20.70	18.75	20.71	
	256QAM	1	0	20.98	21.01	21.03	18.79	18.82	18.80	19.86	20.07	20.16	17.73	17.70	17.73
		1	12	20.98	21.08	21.01	18.79	18.91	18.76	20.05	20.08	20.16	17.82	17.70	17.67
		1	24	21.03	21.13	21.04	18.84	18.75	18.73	20.12	20.12	20.15	17.89	17.67	17.72
		12	0	21.41	21.27	21.20	19.68	19.66	19.64	20.88	20.84	20.96	18.64	17.64	18.67
12		6	21.42	21.31	21.30	19.75	19.72	19.70	20.98	20.88	20.99	18.72	17.63	18.72	
12		11	21.44	21.29	21.21	19.73	19.69	19.69	21.00	20.84	20.95	18.69	17.67	18.70	
25		0	21.43	21.24	21.19	19.70	19.67	19.65	20.92	20.87	20.94	18.67	17.20	18.68	

#### OUTPUT POWER FOR LTE BAND 7 (10.0 MHz)

Bandwidth (MHz)	Modulation	RB Allocation	RB Offset	Conducted Average (dBm)											
				ANT 1			ANT 2			ANT 3			ANT 4		
				20800	21100	21400	20800	21100	21400	20800	21100	21400	20800	21100	21400
10.0	QPSK	1	0	25.70	25.70	25.70	23.70	23.70	23.70	24.81	25.00	25.00	22.50	22.70	22.69
		1	24	25.70	25.70	25.70	23.70	23.70	23.70	25.00	25.00	25.00	22.70	22.70	22.70
		1	49	25.58	25.65	25.64	23.66	23.61	23.68	25.00	24.98	24.99	22.70	22.68	22.70
		25	0	25.49	25.33	25.28	23.70	23.69	23.67	24.94	24.87	24.85	22.70	22.70	22.68
		25	12	25.53	25.38	25.28	23.66	23.70	23.70	25.00	24.86	24.88	22.69	22.69	22.70
		25	24	25.41	25.33	25.27	23.63	23.60	23.60	24.95	24.84	24.93	22.67	22.69	22.64
		50	0	25.40	25.35	25.26	23.63	23.68	23.65	24.91	24.84	24.84	22.66	22.69	22.66
		1	0	25.36	25.32	25.48	22.94	22.89	22.88	24.10	24.33	24.32	21.75	21.82	21.87
		1	24	25.29	25.27	25.41	22.86	22.89	22.81	24.25	24.26	24.23	21.86	21.79	21.87
	1	49	25.27	25.29	25.37	22.85	22.83	22.86	24.30	24.22	24.41	21.81	21.81	21.85	
	16QAM	25	0	24.51	24.36	24.32	22.71	22.71	22.70	23.93	23.87	23.85	21.71	21.72	21.68
		25	12	24.52	24.37	24.33	22.65	22.72	22.71	24.04	23.87	23.88	21.69	21.73	21.69
		25	24	24.40	24.35	24.27	22.63	22.63	22.62	23.90	23.85	23.95	21.72	21.71	21.66
		50	0	24.36	24.35	24.25	22.63	22.70	22.69	23.89	23.88	23.87	21.66	21.69	21.67
		1	0	24.17	24.30	24.28	21.90	21.89	21.90	22.88	23.16	23.24	20.83	20.88	20.99
		1	24	24.22	24.26	24.29	21.83	21.96	21.87	23.07	23.21	23.23	20.94	20.77	21.00
		1	49	24.13	24.25	24.26	21.88	21.85	21.86	23.06	23.12	23.25	20.91	20.81	20.91
		25	0	23.44	23.34	23.29	21.68	21.71	21.66	22.91	22.90	22.88	20.69	20.71	20.66
		25	12	23.46	23.37	23.34	21.65	21.74	21.69	23.02	22.89	22.90	20.69	20.69	20.67
	25	24	23.35	23.35	23.34	21.59	21.60	21.61	22.91	22.88	22.94	20.69	20.69	20.65	
	50	0	23.37	23.36	23.30	21.59	21.72	21.68	22.88	22.86	22.87	20.66	20.68	20.66	
	256QAM	1	0	21.09	21.19	21.16	18.74	18.73	18.83	19.84	20.11	20.02	17.63	17.75	17.68
		1	24	21.13	21.20	21.19	18.78	18.81	18.83	20.15	20.21	20.09	17.85	17.76	17.78
		1	49	20.97	21.10	21.06	18.71	18.70	18.74	20.08	20.08	20.14	17.75	17.72	17.65
		25	0	21.37	21.30	21.25	19.64	19.67	19.65	20.88	20.86	20.84	18.67	18.69	18.66
25		12	21.44	21.34	21.27	19.60	19.71	19.68	21.01	20.89	20.89	18.65	18.74	18.72	
25		24	21.31	21.31	21.28	19.60	19.61	19.56	20.91	20.86	20.94	18.67	18.71	18.67	
50		0	21.32	21.31	21.27	19.60	19.66	19.64	20.84	20.86	20.84	18.61	18.66	18.66	

**OUTPUT POWER FOR LTE BAND 7 (15.0 MHz)**

Bandwidth (MHz)	Modulation	RB Allocation	RB Offset	Conducted Average (dBm)												
				ANT 1			ANT 2			ANT 3			ANT 4			
				20825	21100	21375	20825	21100	21375	20825	21100	21375	20825	21100	21375	
15.0	QPSK	1	0	25.70	25.70	25.70	23.70	23.70	23.70	24.92	24.99	25.00	22.58	22.70	22.70	
		1	37	25.70	25.70	25.70	23.70	23.70	23.70	25.00	25.00	25.00	22.70	22.70	22.70	
		1	74	25.56	25.70	25.64	23.65	23.68	23.67	25.00	25.00	24.95	22.70	22.60	22.54	
		36	0	25.37	25.12	25.10	23.70	23.69	23.66	24.89	24.69	24.68	22.70	22.62	22.55	
		36	16	25.28	25.15	25.11	23.62	23.70	23.67	24.94	24.70	24.75	22.68	22.61	22.55	
		36	35	25.25	25.15	25.11	23.62	23.59	23.60	24.83	24.67	24.76	22.70	22.60	22.55	
	16QAM	75	0	25.31	25.14	25.09	23.63	23.69	23.65	24.90	24.68	24.75	22.68	22.60	22.54	
		1	0	25.27	25.40	25.41	22.95	22.90	22.86	24.15	24.28	24.26	21.86	21.91	21.87	
		1	37	25.29	25.33	25.36	22.99	22.95	22.85	24.30	24.30	24.32	21.99	21.96	21.93	
		1	74	25.19	25.43	25.28	22.88	22.85	22.87	24.28	24.29	24.25	22.05	21.86	21.80	
		36	0	24.37	24.20	24.13	22.69	22.71	22.67	23.89	23.71	23.69	21.73	21.62	21.55	
		36	16	24.31	24.15	24.16	22.64	22.70	22.62	23.95	23.71	23.80	21.72	21.64	21.59	
	64QAM	36	35	24.30	24.16	24.12	22.62	22.61	22.60	23.82	23.70	23.79	21.73	21.62	21.53	
		75	0	24.31	24.16	24.12	22.62	22.70	22.67	23.92	23.73	23.80	21.68	21.61	21.57	
		1	0	24.34	24.42	24.28	21.95	21.90	21.97	23.17	23.21	23.26	20.77	20.94	20.84	
		1	37	24.30	24.34	24.26	21.94	21.98	21.99	23.29	23.28	23.30	20.86	20.88	20.86	
		1	74	24.18	24.37	24.20	21.86	21.88	21.92	23.31	23.19	23.27	20.87	20.82	20.70	
		36	0	23.36	23.14	23.10	21.66	21.67	21.64	22.85	22.72	22.69	20.66	20.62	20.56	
	256QAM	36	16	23.27	23.18	23.08	21.61	21.70	21.66	22.92	22.70	22.81	20.66	20.62	20.56	
		36	35	23.23	23.14	23.06	21.57	21.62	21.57	22.83	22.68	22.77	20.63	20.61	20.55	
		75	0	23.27	23.16	23.12	21.59	21.73	21.67	22.92	22.74	22.79	20.62	20.63	20.55	
		1	0	20.97	21.22	21.20	18.80	18.75	18.80	20.05	20.22	20.02	17.74	17.92	17.79	
		1	37	21.03	21.18	21.18	18.84	18.86	18.81	20.16	20.21	20.11	17.81	17.89	17.80	
		1	74	20.89	21.22	21.13	18.79	18.70	18.79	20.21	20.28	20.22	17.85	17.87	17.70	
	15.0	QPSK	36	0	21.32	21.17	21.10	19.66	19.69	19.64	20.87	20.72	20.71	18.66	18.60	18.55
			36	16	21.24	21.16	21.10	19.58	19.69	19.65	20.91	20.70	20.79	18.63	18.60	18.55
			36	35	21.19	21.19	21.09	19.59	19.62	19.57	20.83	20.71	20.78	18.66	18.62	18.56
		16QAM	75	0	21.19	21.16	21.11	19.60	19.70	19.68	20.88	20.70	20.81	18.64	18.60	18.55
			1	0	25.70	25.70	25.70	23.70	23.70	23.70	24.92	24.99	25.00	22.58	22.70	22.70
			1	37	25.70	25.70	25.70	23.70	23.70	23.70	25.00	25.00	25.00	22.70	22.70	22.70
1			74	25.56	25.70	25.64	23.65	23.68	23.67	25.00	25.00	24.95	22.70	22.60	22.54	
36			0	25.37	25.12	25.10	23.70	23.69	23.66	24.89	24.69	24.68	22.70	22.62	22.55	
36			16	25.28	25.15	25.11	23.62	23.70	23.67	24.94	24.70	24.75	22.68	22.61	22.55	
36			35	25.25	25.15	25.11	23.62	23.59	23.60	24.83	24.67	24.76	22.70	22.60	22.55	
75			0	25.31	25.14	25.09	23.63	23.69	23.65	24.90	24.68	24.75	22.68	22.60	22.54	
1			0	25.27	25.40	25.41	22.95	22.90	22.86	24.15	24.28	24.26	21.86	21.91	21.87	
1	37	25.29	25.33	25.36	22.99	22.95	22.85	24.30	24.30	24.32	21.99	21.96	21.93			
1	74	25.19	25.43	25.28	22.88	22.85	22.87	24.28	24.29	24.25	22.05	21.86	21.80			
36	0	24.37	24.20	24.13	22.69	22.71	22.67	23.89	23.71	23.69	21.73	21.62	21.55			
36	16	24.31	24.15	24.16	22.64	22.70	22.62	23.95	23.71	23.80	21.72	21.64	21.59			
36	35	24.30	24.16	24.12	22.62	22.61	22.60	23.82	23.70	23.79	21.73	21.62	21.53			
75	0	24.31	24.16	24.12	22.62	22.70	22.67	23.92	23.73	23.80	21.68	21.61	21.57			
1	0	24.34	24.42	24.28	21.95	21.90	21.97	23.17	23.21	23.26	20.77	20.94	20.84			
1	37	24.30	24.34	24.26	21.94	21.98	21.99	23.29	23.28	23.30	20.86	20.88	20.86			
1	74	24.18	24.37	24.20	21.86	21.88	21.92	23.31	23.19	23.27	20.87	20.82	20.70			
36	0	23.36	23.14	23.10	21.66	21.67	21.64	22.85	22.72	22.69	20.66	20.62	20.56			
36	16	23.27	23.18	23.08	21.61	21.70	21.66	22.92	22.70	22.81	20.66	20.62	20.56			
36	35	23.23	23.14	23.06	21.57	21.62	21.57	22.83	22.68	22.77	20.63	20.61	20.55			
75	0	23.27	23.16	23.12	21.59	21.73	21.67	22.92	22.74	22.79	20.62	20.63	20.55			
1	0	20.97	21.22	21.20	18.80	18.75	18.80	20.05	20.22	20.02	17.74	17.92	17.79			
1	37	21.03	21.18	21.18	18.84	18.86	18.81	20.16	20.21	20.11	17.81	17.89	17.80			
1	74	20.89	21.22	21.13	18.79	18.70	18.79	20.21	20.28	20.22	17.85	17.87	17.70			
36	0	21.32	21.17	21.10	19.66	19.69	19.64	20.87	20.72	20.71	18.66	18.60	18.55			
36	16	21.24	21.16	21.10	19.58	19.69	19.65	20.91	20.70	20.79	18.63	18.60	18.55			
36	35	21.19	21.19	21.09	19.59	19.62	19.57	20.83	20.71	20.78	18.66	18.62	18.56			
75	0	21.19	21.16	21.11	19.60	19.70	19.68	20.88	20.70	20.81	18.64	18.60	18.55			

**OUTPUT POWER FOR LTE BAND 7 (20.0 MHz)**

Bandwidth (MHz)	Modulation	RB Allocation	RB Offset	Conducted Average (dBm)											
				ANT 1			ANT 2			ANT 3			ANT 4		
				20850	21100	21350	20850	21100	21350	20850	21100	21350	20850	21100	21350
20.0	QPSK	1	0	25.70	25.70	25.70	23.70	23.70	23.68	24.95	25.00	25.00	22.64	22.70	22.70
		1	49	25.70	25.70	25.70	23.70	23.70	23.70	25.00	25.00	25.00	22.70	22.70	22.70
		1	99	25.57	25.66	25.60	23.67	23.70	23.70	25.00	24.88	24.99	22.70	22.58	22.60
		50	0	25.35	25.20	25.12	23.68	23.69	23.67	24.92	24.73	24.72	22.46	22.42	22.32
		50	24	25.31	25.23	25.14	23.70	23.70	23.68	24.87	24.73	24.80	22.53	22.43	22.34
		50	49	25.23	25.20	25.11	23.58	23.62	23.59	24.84	24.71	24.78	22.45	22.40	22.31
	16QAM	100	0	25.32	25.20	25.11	23.61	23.70	23.66	24.85	24.73	24.80	22.44	22.42	22.34
		1	0	25.24	25.24	25.25	22.93	22.93	22.91	24.22	24.24	24.28	21.91	21.95	22.00
		1	49	25.56	25.38	25.41	23.05	23.12	23.13	24.43	24.44	24.49	22.21	22.12	22.17
		1	99	25.05	25.19	25.17	22.80	22.85	22.91	24.27	24.15	24.33	21.96	21.85	21.88
		50	0	24.32	24.18	24.16	22.69	22.69	22.65	23.93	23.77	23.71	21.46	21.44	21.36
		50	24	24.31	24.19	24.14	22.67	22.68	22.68	23.88	23.75	23.80	21.55	21.45	21.36
	64QAM	50	49	24.19	24.19	24.10	22.58	22.62	22.59	23.85	23.74	23.78	21.42	21.41	21.31
		100	0	24.27	24.17	24.13	22.60	22.68	22.69	23.83	23.76	23.78	21.42	21.44	21.34
		1	0	24.24	24.11	24.25	21.86	21.92	21.89	23.08	23.19	23.17	20.84	20.85	20.89
		1	49	23.70	24.25	24.39	21.93	21.85	21.93	23.30	23.37	23.21	20.98	21.01	21.02
		1	99	23.70	24.06	24.18	21.77	21.88	21.85	23.15	23.10	23.14	20.86	20.75	20.78
		50	0	23.24	23.14	23.11	21.67	21.67	21.62	22.89	22.75	22			

**5G NR n7**

<b>Test Engineer ID:</b>	28568	<b>Test Date:</b>	3/13/2023
--------------------------	-------	-------------------	-----------

**OUTPUT POWER FOR 5G NR n7 (5.0 MHz)**

Bandwidth (MHz)	Modulation	RB Allocation	RB Offset	Conducted Average (dBm)											
				ANT 1			ANT 2			ANT 3			ANT 4		
				500500	507000	513500	500500	507000	513500	500500	507000	513500	500500	507000	513500
5.0	BPSK	1	0	25.60	25.63	25.57	23.61	23.62	23.62	24.87	24.85	24.84	22.56	22.59	22.69
		1	1	25.63	25.58	25.65	23.68	23.54	23.57	24.82	24.90	24.98	22.48	22.67	22.64
		1	23	<b>25.70</b>	25.59	<b>25.70</b>	<b>23.70</b>	23.62	<b>23.70</b>	24.98	24.99	<b>25.00</b>	22.67	22.69	22.58
		1	24	<b>25.70</b>	<b>25.70</b>	<b>25.70</b>	<b>23.70</b>	<b>23.70</b>	<b>23.70</b>	<b>25.00</b>	<b>25.00</b>	<b>22.70</b>	<b>22.70</b>	<b>22.70</b>	
		12	6	25.63	25.66	<b>25.70</b>	<b>23.70</b>	23.67	<b>23.70</b>	24.96	<b>25.00</b>	<b>25.00</b>	22.65	<b>22.70</b>	<b>22.70</b>
	QPSK	25	0	25.36	25.45	25.38	23.46	23.47	23.43	24.74	24.68	24.67	22.13	22.20	22.23
		1	0	25.09	25.11	25.05	23.06	23.17	23.11	24.35	24.49	24.23	21.89	22.18	22.17
		1	1	25.60	25.64	25.67	23.64	23.66	23.65	24.86	<b>25.00</b>	24.91	22.55	<b>22.70</b>	<b>22.70</b>
		1	23	25.68	<b>25.70</b>	25.65	23.67	<b>23.70</b>	23.61	<b>25.00</b>	24.98	<b>25.00</b>	<b>22.70</b>	22.66	22.62
		1	24	25.10	25.24	25.17	23.14	23.27	23.33	24.54	24.54	24.34	22.15	22.24	22.23
	16QAM	12	6	<b>25.70</b>	<b>25.70</b>	25.58	23.60	<b>23.70</b>	23.66	<b>25.00</b>	24.88	24.86	<b>22.70</b>	22.69	22.64
		25	0	24.93	24.94	24.93	22.96	22.98	22.93	24.27	24.20	24.22	21.64	21.65	21.59
		1	0	23.73	24.16	24.06	22.17	21.94	22.15	23.11	23.26	23.08	21.15	21.09	20.89
		1	1	24.58	24.85	24.90	22.93	22.62	22.89	23.90	24.02	23.94	21.63	21.61	21.26
		1	23	24.75	24.94	<b>25.06</b>	22.96	22.70	22.90	24.03	24.09	24.01	<b>21.77</b>	21.61	21.36
	64QAM	1	24	23.92	24.21	24.04	22.19	22.12	22.18	23.38	23.35	23.20	21.23	21.12	20.82
		12	6	24.98	25.00	24.93	22.95	<b>23.01</b>	22.87	<b>24.31</b>	24.26	24.18	21.74	21.63	21.60
		25	0	23.94	23.98	23.93	22.03	22.00	21.91	23.28	23.18	23.27	20.69	20.66	20.68
		1	0	23.33	23.46	23.41	21.70	21.67	21.63	22.90	22.85	22.97	20.67	20.60	20.65
		1	1	23.21	23.13	23.21	21.43	21.58	21.55	22.70	22.75	22.96	20.17	20.14	20.09
	256QAM	1	23	23.22	23.35	23.19	21.54	21.62	21.43	22.77	22.96	22.98	20.23	20.15	20.12
		1	24	23.38	<b>23.59</b>	23.35	<b>21.79</b>	21.65	21.63	<b>23.10</b>	22.88	23.01	<b>20.80</b>	20.66	20.65
		12	6	23.54	23.41	23.54	21.64	21.57	21.60	22.88	22.73	22.89	20.23	20.16	20.26
		25	0	23.37	23.52	23.49	21.46	21.43	21.41	22.82	22.69	22.73	20.17	20.12	20.23
		1	0	21.43	21.26	21.12	19.71	19.67	19.69	20.91	21.01	20.71	18.72	18.83	18.70

**OUTPUT POWER FOR 5G NR n7 (10.0 MHz)**

Bandwidth (MHz)	Modulation	RB Allocation	RB Offset	Conducted Average (dBm)											
				ANT 1			ANT 2			ANT 3			ANT 4		
				501000	507000	513000	501000	507000	513000	501000	507000	513000	501000	507000	513000
10.0	BPSK	1	0	25.60	25.63	25.57	23.61	23.62	23.62	24.87	24.85	24.84	22.56	22.59	22.69
		1	1	25.63	25.58	25.65	23.68	23.54	23.57	24.82	24.90	24.98	22.48	22.67	22.64
		1	50	<b>25.70</b>	25.59	<b>25.70</b>	<b>23.70</b>	23.62	<b>23.70</b>	24.98	24.99	<b>25.00</b>	22.67	22.69	22.58
		1	51	<b>25.70</b>	<b>25.70</b>	<b>25.70</b>	<b>23.70</b>	<b>23.70</b>	<b>23.70</b>	<b>25.00</b>	<b>25.00</b>	<b>25.00</b>	<b>22.70</b>	<b>22.70</b>	<b>22.70</b>
		25	12	25.63	25.66	<b>25.70</b>	<b>23.70</b>	23.67	<b>23.70</b>	24.96	<b>25.00</b>	<b>25.00</b>	22.65	<b>22.70</b>	<b>22.70</b>
	QPSK	50	0	25.36	25.45	25.38	23.46	23.47	23.43	24.74	24.68	24.67	22.13	22.20	22.23
		1	0	25.09	25.11	25.05	23.06	23.17	23.11	24.35	24.49	24.23	21.89	22.18	22.17
		1	1	25.60	25.64	25.67	23.64	23.66	23.65	24.86	<b>25.00</b>	24.91	22.55	<b>22.70</b>	<b>22.70</b>
		1	50	25.68	<b>25.70</b>	25.65	23.67	<b>23.70</b>	23.61	<b>25.00</b>	24.98	<b>25.00</b>	<b>22.70</b>	22.66	22.62
		1	51	25.10	25.24	25.17	23.14	23.27	23.33	24.54	24.54	24.34	22.15	22.24	22.23
	16QAM	25	12	<b>25.70</b>	<b>25.70</b>	25.58	23.60	<b>23.70</b>	23.66	<b>25.00</b>	24.88	24.86	<b>22.70</b>	22.69	22.64
		50	0	24.93	24.94	24.93	22.96	22.98	22.93	24.27	24.20	24.22	21.64	21.65	21.59
		1	0	23.73	24.16	24.06	22.17	21.94	22.15	23.11	23.26	23.08	21.15	21.09	20.89
		1	1	24.58	24.85	24.90	22.93	22.62	22.89	23.90	24.02	23.94	21.63	21.61	21.26
		1	50	24.75	24.94	<b>25.06</b>	22.96	22.70	22.90	24.03	24.09	24.01	<b>21.77</b>	21.61	21.36
	64QAM	1	51	23.92	24.21	24.04	22.19	22.12	22.18	23.38	23.35	23.20	21.23	21.12	20.82
		25	12	24.98	25.00	24.93	22.95	<b>23.01</b>	22.87	<b>24.31</b>	24.26	24.18	21.74	21.63	21.60
		50	0	23.94	23.98	23.93	22.03	22.00	21.91	23.28	23.18	23.27	20.69	20.66	20.68
		1	0	23.33	23.46	23.41	21.70	21.67	21.63	22.90	22.85	22.97	20.67	20.60	20.65
		1	1	23.21	23.13	23.21	21.43	21.58	21.55	22.70	22.75	22.96	20.17	20.14	20.09
	256QAM	1	50	23.22	23.35	23.19	21.54	21.62	21.43	22.77	22.96	22.98	20.23	20.15	20.12
		1	51	23.38	<b>23.59</b>	23.35	<b>21.79</b>	21.65	21.63	<b>23.10</b>	22.88	23.01	<b>20.80</b>	20.66	20.65
		25	12	23.54	23.41	23.54	21.64	21.57	21.60	22.88	22.73	22.89	20.23	20.16	20.26
		50	0	23.37	23.52	23.49	21.46	21.43	21.41	22.82	22.69	22.73	20.17	20.12	20.23
		1	0	21.43	21.26	21.12	19.71	19.67	19.69	20.91	21.01	20.71	18.72	18.83	18.70

**OUTPUT POWER FOR 5G NR n7 (15.0 MHz)**

Bandwidth (MHz)	Modulation	RB Allocation	RB Offset	Conducted Average (dBm)											
				ANT 1			ANT 2			ANT 3			ANT 4		
				501500	507000	512500	501500	507000	512500	501500	507000	512500	501500	507000	512500
15.0	BPSK	1	0	25.67	25.59	25.68	23.60	23.54	23.67	24.75	24.91	24.96	22.42	<b>22.70</b>	<b>22.70</b>
		1	1	25.67	25.63	25.48	23.56	23.64	<b>23.70</b>	24.71	24.87	24.95	22.43	22.66	22.63
		1	77	<b>25.70</b>	<b>25.70</b>	25.49	23.57	23.69	23.63	24.96	24.94	<b>25.00</b>	<b>22.70</b>	22.55	22.61
		1	78	<b>25.70</b>	<b>25.70</b>	<b>25.70</b>	<b>23.70</b>	<b>23.70</b>	<b>23.70</b>	<b>25.00</b>	<b>25.00</b>	<b>25.00</b>	<b>22.70</b>	22.66	22.69
		36	18	25.63	<b>25.70</b>	25.57	<b>23.70</b>	23.60	<b>23.70</b>	24.94	24.88	24.98	<b>22.70</b>	22.63	22.66
		75	0	25.49	25.63	25.52	23.48	23.45	23.49	24.80	24.73	24.79	22.22	22.18	22.28
		1	0	25.30	25.11	25.18	23.17	23.05	23.12	24.27	24.54	24.58	21.90	22.14	22.24
		1	1	25.66	25.67	25.64	23.69	23.65	23.61	24.79	24.99	24.99	22.41	<b>22.70</b>	<b>22.70</b>
	QPSK	1	77	25.61	25.64	<b>25.70</b>	<b>23.70</b>	<b>23.70</b>	<b>23.70</b>	<b>25.00</b>	<b>25.00</b>	24.92	22.62	22.65	<b>22.70</b>
		1	78	25.42	25.08	25.20	23.33	23.16	23.18	24.44	24.58	24.51	22.10	22.14	22.26
		36	18	<b>25.70</b>	<b>25.70</b>	<b>25.70</b>	23.66	<b>23.70</b>	23.67	<b>25.00</b>	<b>25.00</b>	<b>25.00</b>	22.68	<b>22.70</b>	<b>22.70</b>
		75	0	25.07	25.05	25.01	23.04	23.04	23.09	24.34	24.34	24.32	21.75	21.73	21.81
		1	0	24.18	23.84	24.31	22.04	21.95	21.72	23.05	23.02	23.38	20.77	21.13	21.27
		1	1	24.84	24.64	24.92	22.73	22.77	22.45	23.89	24.01	24.27	21.40	21.61	21.62
		1	77	24.85	24.73	24.76	22.77	22.79	22.51	24.03	23.94	24.25	21.55	21.65	21.48
		1	78	24.12	23.89	24.26	22.14	21.96	21.84	23.26	23.15	23.60	21.13	21.21	21.24
	16QAM	36	18	<b>25.13</b>	25.08	24.99	23.00	<b>23.07</b>	23.00	<b>24.34</b>	24.26	24.29	21.65	21.68	<b>21.79</b>
		75	0	24.05	24.10	23.94	21.98	21.99	22.05	23.32	23.27	23.33	20.68	20.76	20.79
		1	0	23.60	23.34	23.54	<b>21.87</b>	21.13	21.52	22.59	22.74	<b>22.95</b>	20.20	20.75	20.76
		1	1	23.28	23.23	23.05	21.44	21.01	21.43	22.45	22.54	22.44	19.84	20.21	20.10
		1	77	23.33	23.23	23.19	21.55	21.09	21.55	22.40	22.62	22.70	20.05	20.22	19.97
		1	78	<b>23.68</b>	23.25	23.43	21.76	21.32	21.67	22.94	22.81	22.59	20.53	<b>20.89</b>	20.69
		36	18	23.54	23.60	23.50	21.45	21.47	21.51	22.72	22.74	22.78	20.12	20.18	20.23
		75	0	23.49	23.57	23.52	21.45	21.47	21.61	22.76	22.77	22.78	20.17	20.16	20.33
	64QAM	1	0	21.41	21.34	21.24	19.62	<b>19.93</b>	19.61	20.62	<b>21.07</b>	20.99	18.62	18.56	18.92
		1	1	21.10	21.03	20.93	19.49	19.66	19.36	20.65	20.79	21.03	17.98	18.13	18.40
		1	77	21.21	21.07	20.92	19.60	19.76	19.36	20.73	20.88	20.88	18.25	18.18	18.40
		1	78	<b>21.55</b>	21.33	21.30	19.72	19.82	19.80	20.85	21.03	21.03	18.77	18.65	<b>18.97</b>
		36	18	21.42	<b>21.55</b>	21.53	19.44	19.42	19.60	20.76	20.66	20.76	18.13	18.25	18.32
		75	0	21.39	21.43	21.42	19.35	19.41	19.62	20.69	20.75	20.83	18.11	18.23	18.37

**OUTPUT POWER FOR 5G NR n7 (20.0 MHz)**

Bandwidth (MHz)	Modulation	RB Allocation	RB Offset	Conducted Average (dBm)											
				ANT 1			ANT 2			ANT 3			ANT 4		
				502000	507000	512000	502000	507000	512000	502000	507000	512000	502000	507000	512000
20.0	BPSK	1	0	<b>25.70</b>	25.67	<b>25.70</b>	23.56	23.67	<b>23.70</b>	24.81	24.89	24.90	22.40	22.69	<b>22.70</b>
		1	1	25.67	<b>25.70</b>	25.58	23.67	23.56	23.59	24.75	24.91	24.93	22.47	22.64	<b>22.70</b>
		1	104	25.64	<b>25.70</b>	25.53	<b>23.70</b>	23.60	23.56	24.97	24.94	<b>25.00</b>	22.67	22.69	22.64
		1	105	25.68	<b>25.70</b>	25.54	<b>23.70</b>	<b>23.70</b>	23.67	<b>25.00</b>	<b>25.00</b>	<b>25.00</b>	<b>22.70</b>	<b>22.70</b>	22.56
		50	25	25.67	25.67	25.69	23.69	23.64	23.61	<b>25.00</b>	<b>25.00</b>	24.89	<b>22.70</b>	22.64	22.67
		100	0	25.47	25.44	25.50	23.51	23.49	23.41	24.78	24.84	24.70	22.13	22.19	22.08
		1	0	25.18	25.11	25.28	23.01	23.24	23.20	24.36	24.55	24.41	21.99	22.15	22.01
		1	1	<b>25.70</b>	25.62	<b>25.70</b>	23.61	<b>23.70</b>	23.63	24.84	24.92	24.98	22.50	<b>22.70</b>	22.56
	QPSK	1	104	25.68	<b>25.70</b>	25.61	23.66	23.69	<b>23.70</b>	<b>25.00</b>	<b>25.00</b>	24.99	<b>22.70</b>	<b>22.70</b>	22.52
		1	105	25.27	25.16	25.23	23.10	23.31	23.30	24.61	24.58	24.40	22.23	22.24	21.96
		50	25	<b>25.70</b>	<b>25.70</b>	<b>25.70</b>	<b>23.70</b>	<b>23.70</b>	<b>23.70</b>	<b>25.00</b>	24.97	<b>25.00</b>	22.61	<b>22.70</b>	<b>22.70</b>
		100	0	24.98	24.92	25.02	22.98	22.97	22.96	24.29	24.24	24.24	21.59	21.68	21.65
		1	0	23.93	24.04	24.38	22.09	21.97	21.81	23.44	23.16	23.70	20.92	20.73	21.34
		1	1	24.74	<b>24.98</b>	24.94	22.94	22.63	22.69	24.34	24.11	<b>24.43</b>	21.49	21.20	21.72
		1	104	24.81	24.84	<b>24.98</b>	<b>23.07</b>	22.72	22.56	24.36	24.17	24.27	21.54	21.20	<b>21.82</b>
		1	105	23.99	24.08	24.37	22.15	21.94	21.88	23.64	23.28	23.56	21.21	20.76	21.30
	16QAM	50	25	24.95	24.97	<b>24.98</b>	22.97	23.04	22.96	24.33	24.25	24.20	21.70	21.73	21.69
		100	0	23.95	23.89	24.02	22.02	22.01	21.92	23.34	23.21	23.16	20.66	20.63	20.67
		1	0	23.50	23.55	23.38	21.12	21.38	21.69	22.78	22.86	22.90	20.14	<b>20.79</b>	20.52
		1	1	23.34	23.38	23.15	21.30	21.22	21.51	22.69	22.60	22.83	19.78	20.30	20.12
		1	104	23.41	23.43	23.02	21.10	21.41	21.56	22.88	22.67	22.66	20.00	20.21	19.83
		1	105	<b>23.58</b>	23.57	23.40	21.42	21.82	<b>21.99</b>	<b>22.98</b>	22.87	22.85	20.42	20.78	20.54
		50	25	23.47	23.38	23.55	21.42	21.39	21.47	22.77	22.73	22.62	20.06	20.21	20.12
		100	0	23.48	23.41	23.54	21.39	21.43	21.50	22.78	22.72	22.60	20.05	20.23	20.12
	256QAM	1	0	21.43	21.19	21.35	19.72	19.56	19.86	20.71	20.87	20.96	18.34	<b>18.90</b>	18.78
		1	1	20.90	21.01	21.04	19.55	19.33	19.45	20.41	20.53	20.80	17.87	18.26	18.36
		1	104	21.08	20.77	21.06	19.75	19.28	19.62	20.83	20.77	20.82	18.12	18.25	18.11
		1	105	21.38	21.13	21.43	19.84	19.70	<b>20.01</b>	20.92	20.83	<b>21.05</b>	18.59	18.76	18.67
		50	25	21.38	21.36	<b>21.48</b>	19.39	19.36	19.36	20.72	20.74	20.64	18.06	18.20	18.19
		100	0	21.36	21.28	21.39	19.38	19.29	19.39	20.66	20.66	20.67	18.02	18.17	18.18

**OUTPUT POWER FOR 5G NR n7 (25.0 MHz)**

Bandwidth (MHz)	Modulation	RB Allocation	RB Offset	Conducted Average (dBm)											
				ANT 1			ANT 2			ANT 3			ANT 4		
				502500	507000	511500	502500	507000	511500	502500	507000	511500	502500	507000	511500
25.0	BPSK	1	0	25.62	25.63	25.60	23.60	<b>23.70</b>	23.63	24.79	24.80	<b>25.00</b>	22.29	<b>22.70</b>	<b>22.70</b>
		1	1	25.56	25.58	25.60	23.61	<b>23.70</b>	23.66	24.72	24.80	24.96	22.47	<b>22.70</b>	22.67
		1	131	25.54	25.61	25.68	23.62	23.67	<b>23.70</b>	24.89	24.84	24.98	<b>22.70</b>	22.68	22.59
		1	132	<b>25.70</b>	<b>25.70</b>	<b>25.70</b>	<b>23.70</b>	<b>23.70</b>	<b>23.70</b>	<b>25.00</b>	<b>25.00</b>	24.99	<b>22.70</b>	22.64	22.58
		64	32	25.63	<b>25.70</b>	25.69	23.67	<b>23.70</b>	23.65	24.96	<b>25.00</b>	<b>25.00</b>	<b>22.70</b>	<b>22.70</b>	<b>22.70</b>
		128	0	25.44	25.35	25.45	23.46	23.41	23.45	24.74	24.81	24.80	22.22	22.19	22.18
	QPSK	1	0	25.15	25.11	25.13	23.17	23.12	23.20	24.29	24.44	24.56	21.77	22.09	22.20
		1	1	25.67	<b>25.70</b>	25.51	<b>23.70</b>	23.63	23.53	24.79	24.89	<b>25.00</b>	22.44	22.68	<b>22.70</b>
		1	131	<b>25.70</b>	25.68	<b>25.70</b>	<b>23.70</b>	23.60	23.67	<b>25.00</b>	<b>25.00</b>	24.97	22.66	22.51	22.57
		1	132	25.19	25.16	25.16	23.27	23.18	23.27	24.45	24.53	24.52	21.99	22.04	22.02
		64	32	<b>25.70</b>	25.59	<b>25.70</b>	<b>23.70</b>	23.66	<b>23.70</b>	<b>25.00</b>	24.99	24.99	22.65	22.61	<b>22.70</b>
		128	0	24.98	24.82	24.93	22.98	22.92	22.97	24.25	24.28	24.27	21.60	21.66	21.76
	16QAM	1	0	24.00	23.83	23.94	22.04	22.33	22.19	23.28	23.23	23.42	20.62	21.22	21.12
		1	1	24.87	24.82	24.60	22.85	23.09	22.96	23.97	24.07	24.08	21.24	<b>21.84</b>	21.42
		1	131	<b>25.09</b>	24.73	24.64	22.93	<b>23.20</b>	22.79	24.22	24.13	24.15	21.44	21.80	21.47
		1	132	24.01	24.14	24.11	22.28	22.40	22.09	23.47	23.40	23.42	20.86	21.38	20.87
		64	32	24.96	24.91	24.95	22.93	22.91	23.00	24.20	<b>24.24</b>	24.21	21.66	21.65	21.73
		128	0	23.96	23.90	23.93	21.95	21.92	21.97	23.21	23.37	23.24	20.64	20.62	20.73
	64QAM	1	0	<b>23.59</b>	23.51	23.56	21.51	21.50	21.92	22.63	22.68	23.03	20.25	20.70	<b>20.87</b>
		1	1	23.35	22.93	23.47	21.29	21.39	21.42	22.48	22.57	22.94	19.75	20.30	20.24
		1	131	23.15	23.25	23.31	21.27	21.68	21.65	22.66	22.56	22.79	20.17	20.19	20.34
		1	132	23.55	23.44	23.46	21.57	21.95	<b>22.10</b>	22.82	22.71	<b>23.17</b>	20.47	20.79	20.79
		64	32	23.41	23.33	23.48	21.42	21.44	21.44	22.71	22.80	22.69	20.15	20.12	20.19
		128	0	23.40	23.36	23.49	21.43	21.46	21.42	22.67	22.84	22.77	20.16	20.10	20.24
	256QAM	1	0	21.12	21.39	21.13	19.80	19.37	19.69	<b>21.07</b>	20.73	20.83	18.42	18.72	<b>18.88</b>
		1	1	20.83	21.00	21.06	19.53	19.30	19.27	20.80	20.55	20.75	17.97	18.06	18.25
		1	131	21.01	21.04	21.03	19.30	19.45	19.16	21.00	20.71	20.49	18.39	18.28	18.31
		1	132	21.30	21.29	<b>21.27</b>	19.67	<b>19.84</b>	19.68	21.06	20.81	20.78	18.66	18.85	18.81
		64	32	21.38	21.34	<b>21.44</b>	19.41	19.38	19.44	20.62	20.77	20.66	18.09	18.16	18.20
		128	0	21.33	21.33	21.40	19.38	19.33	19.45	20.63	20.77	20.63	18.10	18.17	18.12

**OUTPUT POWER FOR 5G NR n7 (30.0 MHz)**

Bandwidth (MHz)	Modulation	RB Allocation	RB Offset	Conducted Average (dBm)											
				ANT 1			ANT 2			ANT 3			ANT 4		
				503000	507000	511000	503000	507000	511000	503000	507000	511000	503000	507000	511000
30.0	BPSK	1	0	25.57	<b>25.70</b>	25.66	23.61	23.54	23.47	24.82	24.93	<b>25.00</b>	22.48	22.50	<b>22.70</b>
		1	1	25.67	25.62	25.63	23.67	23.58	23.62	24.88	24.92	24.91	22.42	22.65	<b>22.70</b>
		1	158	<b>25.70</b>	25.64	25.61	<b>23.70</b>	23.58	23.63	24.98	24.99	<b>25.00</b>	22.62	<b>22.70</b>	22.56
		1	159	<b>25.70</b>	25.62	<b>25.70</b>	<b>23.70</b>	<b>23.70</b>	<b>23.70</b>	<b>25.00</b>	<b>25.00</b>	24.98	<b>22.70</b>	<b>22.70</b>	22.64
		80	40	25.69	25.64	25.61	23.69	23.66	<b>23.70</b>	24.99	<b>25.00</b>	24.99	<b>22.70</b>	<b>22.70</b>	22.65
		160	0	25.55	25.51	25.50	23.51	23.48	23.50	24.79	24.79	24.84	22.17	22.24	22.19
	QPSK	1	0	25.02	25.26	25.14	23.07	23.27	22.99	24.39	24.21	24.44	21.85	22.05	22.25
		1	1	25.61	<b>25.70</b>	<b>25.70</b>	23.60	23.63	23.56	24.91	24.82	24.97	22.42	22.66	22.53
		1	158	25.69	<b>25.70</b>	25.69	<b>23.70</b>	<b>23.70</b>	<b>23.70</b>	<b>25.00</b>	<b>25.00</b>	24.96	<b>22.70</b>	<b>22.70</b>	22.56
		1	159	25.06	25.32	25.19	23.13	23.18	23.17	24.57	24.47	24.50	22.33	22.05	22.12
		80	40	<b>25.70</b>	<b>25.70</b>	<b>25.70</b>	<b>23.70</b>	<b>23.70</b>	23.68	<b>25.00</b>	24.99	<b>25.00</b>	22.69	22.63	<b>22.70</b>
		160	0	25.01	25.02	25.01	23.03	22.98	22.98	24.31	24.32	24.27	21.68	21.68	21.66
	16QAM	1	0	23.85	23.95	23.97	22.21	22.10	21.75	23.31	23.33	23.37	20.83	20.94	21.29
		1	1	24.70	24.60	24.66	22.84	22.86	22.83	24.13	24.29	24.09	21.06	21.44	21.58
		1	158	24.80	24.71	24.70	22.95	22.94	22.83	24.29	<b>24.39</b>	24.18	21.34	21.44	21.45
		1	159	23.91	23.84	24.05	22.22	22.21	21.92	23.39	23.57	23.27	20.83	20.91	21.12
		80	40	24.95	<b>24.97</b>	<b>24.97</b>	<b>23.06</b>	<b>23.06</b>	22.93	24.26	24.27	24.25	<b>21.70</b>	21.62	21.60
		160	0	23.97	23.98	23.94	22.01	22.01	22.01	23.26	23.26	23.23	20.75	20.67	20.70
	64QAM	1	0	23.24	<b>23.72</b>	23.33	21.68	21.47	21.40	22.95	22.85	23.00	20.20	20.38	<b>20.65</b>
		1	1	23.13	23.21	23.36	21.35	21.25	21.36	22.64	22.85	22.82	19.56	20.11	20.10
		1	158	22.92	23.35	23.30	21.55	21.19	21.30	22.94	23.03	22.86	19.76	20.05	20.12
		1	159	23.32	23.62	23.55	<b>21.70</b>	21.42	21.61	23.05	23.07	<b>23.10</b>	20.51	20.58	<b>20.65</b>
		80	40	23.41	23.41	23.55	21.55	21.44	21.38	22.75	22.79	22.66	20.19	20.13	20.13
		160	0	23.45	23.41	23.57	21.45	21.53	21.46	22.75	22.84	22.78	20.20	20.17	20.17
	256QAM	1	0	21.22	21.37	21.38	19.69	19.71	19.97	20.94	<b>21.12</b>	20.94	18.66	18.71	18.91
		1	1	20.86	21.36	21.15	19.79	19.63	19.58	21.03	20.86	20.86	17.98	18.07	18.45
		1	158	21.00	21.45	21.17	19.70	19.79	19.60	20.97	20.83	20.89	18.28	18.16	18.12
		1	159	21.23	21.49	<b>21.50</b>	<b>20.05</b>	20.00	19.91	21.05	20.95	21.04	<b>18.95</b>	18.50	18.68
		80	40	21.36	21.40	21.47	19.50	19.45	19.48	20.75	20.74	20.71	18.26	18.14	18.14
		160	0	21.38	21.39	<b>21.50</b>	19.51	19.47	19.51	20.78	20.82	20.76	18.16	18.24	18.17



**OUTPUT POWER FOR 5G NR n7 (35.0 MHz)**

Bandwidth (MHz)	Modulation	RB Allocation	RB Offset	Conducted Average (dBm)											
				ANT 1			ANT 2			ANT 3			ANT 4		
				50.5	507000	510500	50.5	507000	510500	50.5	507000	510500	50.5	507000	510500
35.0	BPSK	1	0	25.70	25.19	24.20	23.70	22.99	21.50	25.00	23.73	22.97	22.70	22.70	22.38
		1	1	25.55	25.15	24.29	23.67	22.91	21.58	24.84	23.72	23.09	22.61	22.63	22.25
		1	186	24.73	25.70	25.62	22.37	23.63	23.70	23.61	25.00	24.99	21.94	21.85	22.70
		1	187	24.35	25.70	25.70	22.29	23.70	23.70	23.71	25.00	25.00	22.08	21.87	22.70
		90	45	25.51	25.26	25.67	23.36	23.10	23.66	24.90	24.72	25.00	22.62	22.67	22.69
		180	0	25.46	25.25	25.60	23.31	23.03	23.59	24.90	24.68	24.80	22.37	22.65	22.59
	QPSK	1	0	24.69	24.73	23.85	23.25	22.44	21.01	24.50	23.25	22.53	22.29	22.15	21.98
		1	1	25.70	25.26	24.26	23.70	22.93	21.53	25.00	23.73	22.91	22.70	22.70	22.32
		1	186	24.72	25.62	25.70	22.53	23.70	23.31	23.66	24.99	25.00	21.86	21.82	22.67
		1	187	23.79	25.32	25.24	21.86	23.01	22.67	23.21	24.47	24.56	21.53	21.35	22.29
		90	45	25.54	25.37	25.70	23.38	23.15	23.70	24.96	24.74	24.99	22.70	22.70	22.70
		180	0	24.92	24.74	25.04	22.83	22.47	22.57	23.07	24.41	24.19	24.26	21.84	22.02
	16QAM	1	0	23.60	23.27	22.75	22.11	21.39	19.87	23.54	22.48	21.24	21.13	21.52	20.91
		1	1	24.75	24.09	23.56	23.10	22.12	20.74	24.35	22.85	22.31	21.84	22.08	21.29
		1	186	23.75	24.87	25.24	21.68	22.98	22.17	23.05	24.28	24.39	21.14	21.07	22.04
		1	187	22.55	23.97	24.42	20.88	22.36	21.49	22.41	23.43	23.24	20.26	20.00	21.63
		90	45	24.86	24.60	25.00	22.73	22.47	22.99	24.24	24.01	24.33	21.95	22.01	22.00
		180	0	23.87	23.75	24.06	21.76	21.56	22.13	23.40	23.14	23.22	20.90	21.10	21.08
	64QAM	1	0	22.31	23.20	22.27	21.81	21.12	19.38	23.11	21.63	21.15	20.82	20.50	20.55
		1	1	23.55	23.20	22.18	21.49	20.67	19.25	22.77	21.60	20.86	20.55	20.59	20.23
		1	186	22.59	23.78	23.62	20.33	21.60	21.24	21.61	22.77	22.94	19.91	20.07	20.43
		1	187	22.18	23.86	23.96	20.54	21.68	21.26	22.00	23.14	23.30	20.37	20.15	20.99
		90	45	23.30	23.14	23.48	21.19	20.83	21.49	22.65	22.49	22.75	20.43	20.68	20.42
		180	0	23.42	23.27	23.51	21.32	21.08	21.56	22.80	22.68	22.75	20.39	20.76	20.56
	256QAM	1	0	20.87	20.73	20.12	19.38	18.59	17.26	20.91	19.40	18.64	18.49	18.77	18.07
		1	1	20.81	20.80	19.69	19.22	18.36	17.19	20.17	19.18	18.74	18.31	18.19	17.84
		1	186	20.22	21.17	20.99	17.93	19.10	19.22	19.33	20.84	20.38	17.82	17.41	18.15
		1	187	19.92	21.65	21.49	18.17	19.47	19.47	19.46	20.75	20.66	18.19	17.68	18.31
		90	45	21.17	21.15	21.42	19.23	18.86	19.51	20.65	20.54	20.86	18.44	18.63	18.44
		180	0	21.31	21.25	21.48	19.38	19.05	19.59	20.88	20.75	20.81	18.44	18.79	18.51

**OUTPUT POWER FOR 5G NR n7 (40.0 MHz)**

Bandwidth (MHz)	Modulation	RB Allocation	RB Offset	Conducted Average (dBm)											
				ANT 1			ANT 2			ANT 3			ANT 4		
				504000	507000	510000	504000	507000	510000	504000	507000	510000	504000	507000	510000
40.0	BPSK	1	0	25.57	25.59	25.63	23.51	23.62	23.65	24.77	24.92	25.00	22.55	22.49	22.70
		1	1	25.60	25.62	25.64	23.47	23.56	23.53	24.79	24.98	24.87	22.50	22.66	22.70
		1	214	25.70	25.70	25.66	23.70	23.70	23.62	25.00	24.95	24.90	22.61	22.56	22.59
		1	215	25.70	25.70	25.70	23.70	23.70	23.70	25.00	25.00	24.98	22.70	22.70	22.65
		108	54	25.70	25.62	25.62	23.67	23.69	23.68	25.00	24.96	24.97	22.63	22.58	22.63
		216	0	25.48	25.49	25.48	23.48	23.49	23.49	24.84	24.83	24.80	22.17	22.14	22.18
	QPSK	1	0	25.04	25.10	25.12	23.04	23.22	23.08	24.41	24.22	24.56	22.16	22.02	22.29
		1	1	25.57	25.57	25.70	23.53	23.63	23.60	24.78	24.77	24.92	22.64	22.70	22.61
		1	214	25.61	25.56	25.57	23.70	23.52	23.70	24.98	25.00	25.00	22.70	22.57	22.57
		1	215	24.97	25.07	25.13	23.26	23.10	23.25	24.60	24.51	24.64	22.25	22.11	22.19
		108	54	25.66	25.70	25.70	23.70	23.70	23.70	24.96	25.00	25.00	22.70	22.70	22.70
		216	0	25.05	25.02	24.98	23.03	22.99	23.03	24.23	24.31	24.29	21.62	21.67	21.67
	16QAM	1	0	24.19	24.07	24.22	22.26	22.33	22.24	23.54	23.23	23.71	20.99	21.03	21.08
		1	1	25.14	24.87	25.49	22.96	23.11	23.01	24.33	24.23	24.44	21.33	21.29	21.74
		1	214	25.07	25.03	25.12	22.94	23.15	23.06	24.38	24.34	24.62	21.34	21.34	21.38
		1	215	24.40	24.10	24.34	22.10	22.41	22.39	23.71	23.38	23.82	21.08	20.99	21.08
		108	54	25.01	24.97	24.93	22.93	23.07	22.97	24.31	24.30	24.33	21.58	21.59	21.59
		216	0	24.04	23.99	23.97	22.05	22.08	21.97	23.34	23.43	23.34	20.62	20.61	20.64
	64QAM	1	0	23.13	23.75	23.50	21.65	21.51	21.82	22.65	22.88	23.14	20.11	20.52	20.51
		1	1	23.03	23.41	23.39	21.34	21.47	21.50	22.24	22.75	22.85	19.60	20.09	19.91
		1	214	23.13	23.50	23.34	21.41	21.21	21.60	22.64	23.02	22.98	19.81	19.98	19.72
		1	215	23.27	23.57	23.50	21.66	21.64	21.90	22.93	23.10	23.03	20.52	20.30	20.43
		108	54	23.52	23.41	23.54	21.42	21.53	21.54	22.77	22.82	22.75	20.09	20.19	20.11
		216	0	23.53	23.45	23.47	21.46	21.59	21.60	22.80	22.87	22.76	20.06	20.17	20.16
	256QAM	1	0	21.08	21.61	21.17	19.57	20.14	19.65	21.03	21.03	21.17	18.34	17.92	18.59
		1	1	20.88	21.06	20.92	19.43	19.58	19.74	20.75	20.99	20.89	17.84	17.59	17.93
		1	214	21.06	21.24	21.09	19.41	19.80	19.67	20.92	21.18	21.14	17.98	17.48	17.56
		1	215	21.13	21.45	21.31	19.82	19.96	19.83	21.15	21.24	21.29	18.76	18.04	18.34
		108	54	21.38	21.36	21.40	19.46	19.51	19.49	20.83	20.75	20.67	18.15	18.13	18.02
		216	0	21.44	21.37	21.48	19.54	19.51	19.56	20.78	20.84	20.69	18.15	18.13	18.11

## 8.2. LTE BAND 12 AND 5G NR n12

### LTE BAND 12

Test Engineer ID:	28567	Test Date:	4/24/2023
-------------------	-------	------------	-----------

### OUTPUT POWER FOR LTE BAND 12 (1.4 MHz)

Bandwidth (MHz)	Modulation	RB Allocation	RB Offset	Conducted Average (dBm)								
				ANT 1			ANT 2			ANT 3		
				23017	23095	23173	23017	23095	23173	23017	23095	23173
1.4	QPSK	1	0	25.58	25.60	25.62	<b>24.70</b>	24.64	24.59	24.03	24.97	24.65
		1	2	25.57	25.65	<b>25.70</b>	24.69	24.69	24.63	24.94	25.14	24.57
		1	5	25.59	25.63	25.65	24.68	24.66	24.65	25.20	<b>25.40</b>	24.72
		3	0	25.55	25.65	25.61	24.68	24.64	24.58	24.82	24.84	24.21
		3	1	25.57	25.64	25.63	24.68	24.63	24.56	24.89	24.95	24.24
		3	2	25.61	25.63	25.65	24.68	24.66	24.61	25.05	25.09	24.27
	16QAM	6	0	24.43	24.50	24.51	23.67	23.64	23.50	24.04	24.05	23.32
		1	0	24.52	24.64	24.67	<b>23.57</b>	23.29	23.31	24.06	24.19	23.57
		1	2	24.57	24.71	<b>24.75</b>	23.52	23.40	23.39	24.23	24.32	23.42
		1	5	24.57	24.71	24.74	23.45	23.37	23.37	24.44	<b>24.58</b>	23.40
		3	0	24.53	24.64	24.56	23.33	23.38	23.28	24.04	24.07	23.40
		3	1	24.54	24.63	24.57	23.32	23.37	23.25	24.16	24.16	23.40
	64QAM	3	2	24.58	24.61	24.58	23.33	23.35	23.31	24.28	24.32	23.41
		6	0	23.47	23.51	23.50	22.17	22.25	22.02	23.16	23.15	22.49
		1	0	23.63	<b>23.75</b>	23.67	22.49	22.51	22.32	23.35	23.40	23.22
		1	2	23.68	23.74	<b>23.75</b>	<b>22.52</b>	<b>22.52</b>	22.38	23.43	<b>23.53</b>	23.06
		1	5	23.61	23.73	23.73	22.47	22.48	22.35	23.47	23.50	23.03
		3	0	23.55	23.67	23.62	22.32	22.33	22.25	23.07	23.05	22.58
	256QAM	3	1	23.60	23.69	23.61	22.31	22.33	22.26	23.14	23.15	22.53
		3	2	23.57	23.67	23.62	22.30	22.32	22.30	23.29	23.28	22.51
		6	0	22.42	22.59	22.56	21.25	21.27	21.05	22.18	22.12	21.50
		1	0	20.54	20.49	20.52	19.22	19.23	19.19	20.12	20.27	19.96
		1	2	20.55	20.65	<b>20.67</b>	19.37	<b>19.40</b>	19.35	20.23	20.36	19.69
		1	5	20.52	20.56	20.58	19.32	19.29	19.27	20.31	<b>20.46</b>	19.48

### OUTPUT POWER FOR LTE BAND 12 (3.0 MHz) Check for all powers

Bandwidth (MHz)	Modulation	RB Allocation	RB Offset	Conducted Average (dBm)								
				ANT 1			ANT 2			ANT 3		
				23025	23095	23165	23025	23095	23165	23025	23095	23165
3.0	QPSK	1	0	25.56	25.60	25.56	<b>24.70</b>	23.72	24.59	25.18	24.95	24.99
		1	7	25.64	25.69	<b>25.70</b>	24.69	23.83	24.63	<b>25.40</b>	25.37	25.12
		1	14	25.52	25.59	25.57	24.68	23.80	24.65	25.21	25.23	24.95
		8	0	24.85	24.87	24.88	24.68	23.81	24.58	24.20	23.70	23.99
		8	4	24.96	25.00	24.92	24.68	23.80	24.56	24.31	23.99	24.00
		8	7	24.93	24.96	24.97	24.68	23.78	24.61	24.32	24.24	24.07
	16QAM	15	0	24.45	24.52	24.44	23.67	22.68	23.50	24.27	24.08	23.96
		1	0	24.59	24.63	24.69	<b>23.57</b>	22.51	23.31	24.53	23.93	24.30
		1	7	24.67	24.66	<b>24.70</b>	23.52	22.52	23.39	<b>24.70</b>	24.20	24.39
		1	14	24.54	24.64	24.54	23.45	22.48	23.37	24.67	24.53	24.25
		8	0	23.45	23.48	23.47	23.33	22.33	23.28	23.22	22.83	23.03
		8	4	23.55	23.58	23.52	23.32	22.33	23.25	23.37	23.09	23.05
	64QAM	8	7	23.55	23.57	23.57	23.33	22.32	23.31	23.36	23.32	23.13
		15	0	23.46	23.52	23.43	22.17	21.27	22.02	23.29	23.17	23.01
		1	0	23.61	23.69	23.73	22.49	19.23	22.32	23.42	23.19	23.24
		1	7	<b>23.78</b>	23.75	23.73	<b>22.52</b>	19.40	22.38	<b>23.53</b>	23.28	23.27
		1	14	23.65	23.68	23.61	22.47	19.29	22.35	23.42	23.14	23.18
		8	0	22.49	22.55	22.51	22.32	19.28	22.25	22.27	22.08	22.02
	256QAM	8	4	22.60	22.60	22.54	22.31	19.27	22.26	22.37	22.18	22.04
		8	7	22.59	22.63	22.62	22.30	19.30	22.30	22.37	22.18	22.11
		15	0	22.50	22.56	22.49	21.25	19.22	21.05	22.35	22.13	22.01
		1	0	20.49	20.60	20.61	19.22	19.25	19.19	20.33	20.15	20.09
		1	7	20.64	<b>20.80</b>	20.76	19.37	19.29	19.35	<b>20.48</b>	20.29	20.23
		1	14	20.49	20.61	20.65	19.32	19.31	19.27	20.42	20.14	20.10

**OUTPUT POWER FOR LTE BAND 12 (5.0 MHz)**

Bandwidth (MHz)	Modulation	RB Allocation	RB Offset	Conducted Average (dBm)																			
				ANT 1			ANT 2			ANT 3													
				23035	23095	23155	23035	23095	23155	23035	23095	23155											
5.0	QPSK	1	0	701.5	707.5	713.5	701.5	707.5	713.5	701.5	707.5	713.5	25.47	25.50	25.56	24.59	24.58	24.61	25.27	25.29	25.24		
		1	12	25.59	<b>25.70</b>	25.64	24.68	<b>24.70</b>	24.63	25.35	<b>25.40</b>	25.20	25.43	25.49	25.50	24.58	24.55	24.50	25.24	25.24	25.19		
		1	24	25.43	25.49	25.50	24.58	24.55	24.50	25.24	25.24	25.19	12	0	24.73	24.79	24.61	23.58	23.58	23.52	24.21	24.23	24.05
		12	6	24.81	24.87	24.72	23.67	23.66	23.65	24.31	24.33	24.22	12	11	24.80	24.86	24.86	23.65	23.61	23.59	24.26	24.27	24.26
		25	0	24.37	24.41	24.25	23.63	23.62	23.57	24.30	24.31	24.23	25	0	24.37	24.41	24.25	23.63	23.62	23.57	24.30	24.31	24.23
		1	0	24.56	24.58	24.54	23.32	23.32	23.32	24.59	24.69	24.58	1	0	24.56	24.58	24.54	23.32	23.32	23.32	24.59	24.69	24.58
		1	12	24.66	<b>24.67</b>	24.41	23.48	<b>23.52</b>	23.40	<b>24.84</b>	24.80	24.52	1	12	24.66	<b>24.67</b>	24.41	23.48	<b>23.52</b>	23.40	<b>24.84</b>	24.80	24.52
	16QAM	1	24	24.49	24.59	24.61	23.36	23.30	23.32	24.51	24.63	24.62	1	24	24.49	24.59	24.61	23.36	23.30	23.32	24.51	24.63	24.62
		12	0	23.31	23.37	23.30	22.14	22.18	22.07	23.34	23.21	23.24	12	0	23.31	23.37	23.30	22.14	22.18	22.07	23.34	23.21	23.24
		12	6	23.42	23.44	23.38	22.26	22.30	22.16	23.44	23.33	23.27	12	6	23.42	23.44	23.38	22.26	22.30	22.16	23.44	23.33	23.27
		12	11	23.37	23.42	23.38	22.22	22.26	22.13	23.40	23.28	23.33	12	11	23.37	23.42	23.38	22.22	22.26	22.13	23.40	23.28	23.33
		25	0	23.39	23.44	23.45	22.24	22.23	22.15	23.36	23.29	23.31	25	0	23.39	23.44	23.45	22.24	22.23	22.15	23.36	23.29	23.31
		1	0	23.50	23.50	23.49	22.29	22.25	22.32	23.45	23.50	23.41	1	0	23.50	23.50	23.49	22.29	22.25	22.32	23.45	23.50	23.41
		1	12	23.56	<b>23.64</b>	23.40	<b>22.40</b>	22.39	22.26	23.49	<b>23.57</b>	23.33	1	12	23.56	<b>23.64</b>	23.40	<b>22.40</b>	22.39	22.26	23.49	<b>23.57</b>	23.33
	64QAM	1	24	23.43	23.52	23.44	22.31	22.30	22.19	23.37	23.43	23.34	1	24	23.43	23.52	23.44	22.31	22.30	22.19	23.37	23.43	23.34
		12	0	22.36	22.42	22.35	21.19	21.18	21.10	22.27	22.28	22.18	12	0	22.36	22.42	22.35	21.19	21.18	21.10	22.27	22.28	22.18
		12	6	22.44	22.50	22.44	21.27	21.27	21.21	22.38	22.37	22.25	12	6	22.44	22.50	22.44	21.27	21.27	21.21	22.38	22.37	22.25
		12	11	22.45	22.48	22.42	21.24	21.25	21.17	22.33	22.33	22.29	12	11	22.45	22.48	22.42	21.24	21.25	21.17	22.33	22.33	22.29
		25	0	22.39	22.45	22.47	21.23	21.23	21.16	22.32	22.34	22.27	25	0	22.39	22.45	22.47	21.23	21.23	21.16	22.32	22.34	22.27
		1	0	20.45	20.47	20.50	19.20	19.23	19.26	20.30	20.30	20.28	1	0	20.45	20.47	20.50	19.20	19.23	19.26	20.30	20.30	20.28
		1	12	20.62	20.58	<b>20.66</b>	19.32	19.37	<b>19.38</b>	<b>20.43</b>	20.41	20.37	1	12	20.62	20.58	<b>20.66</b>	19.32	19.37	<b>19.38</b>	<b>20.43</b>	20.41	20.37
	256QAM	1	24	20.46	20.52	20.46	19.27	19.29	19.18	20.32	20.29	20.26	1	24	20.46	20.52	20.46	19.27	19.29	19.18	20.32	20.29	20.26
		12	0	20.35	20.39	20.40	19.15	19.15	19.09	20.27	20.28	20.20	12	0	20.35	20.39	20.40	19.15	19.15	19.09	20.27	20.28	20.20
		12	6	20.45	20.50	20.43	19.25	19.25	19.19	20.38	20.35	20.24	12	6	20.45	20.50	20.43	19.25	19.25	19.19	20.38	20.35	20.24
		12	11	20.42	20.44	20.44	19.21	19.22	19.15	20.33	20.30	20.26	12	11	20.42	20.44	20.44	19.21	19.22	19.15	20.33	20.30	20.26
25		0	20.39	20.45	20.46	19.23	19.23	19.13	20.33	20.31	20.28	25	0	20.39	20.45	20.46	19.23	19.23	19.13	20.33	20.31	20.28	

**OUTPUT POWER FOR LTE BAND 12 (10.0 MHz)**

Bandwidth (MHz)	Modulation	RB Allocation	RB Offset	Conducted Average (dBm)																			
				ANT 1			ANT 2			ANT 3													
				23060	23095	23130	23060	23095	23130	23060	23095	23130											
10.0	QPSK	1	0	704.0	707.5	711.0	704.0	707.5	711.0	704.0	707.5	711.0	25.58	25.62	<b>25.70</b>	<b>24.70</b>	24.66	24.66	25.37	<b>25.40</b>	25.37		
		1	24	25.65	25.67	25.65	<b>24.70</b>	24.63	24.59	25.35	25.33	25.32	1	24	25.65	25.67	25.65	<b>24.70</b>	24.63	24.59	25.35	25.33	25.32
		1	49	25.58	25.61	25.58	24.62	24.57	24.54	25.24	25.09	25.18	1	49	25.58	25.61	25.58	24.62	24.57	24.54	25.24	25.09	25.18
		25	0	24.87	24.90	24.90	23.61	23.62	23.56	24.28	24.29	24.27	25	0	24.87	24.90	24.90	23.61	23.62	23.56	24.28	24.29	24.27
		25	12	24.95	25.01	25.01	23.72	23.70	23.59	24.34	24.36	24.27	25	12	24.95	25.01	25.01	23.72	23.70	23.59	24.34	24.36	24.27
		25	24	24.90	24.95	24.83	23.66	23.64	23.62	24.28	24.30	24.23	25	24	24.90	24.95	24.83	23.66	23.64	23.62	24.28	24.30	24.23
		50	0	24.49	24.54	24.57	23.67	23.58	23.56	24.32	24.32	24.24	50	0	24.49	24.54	24.57	23.67	23.58	23.56	24.32	24.32	24.24
	16QAM	1	0	24.60	24.69	<b>24.71</b>	<b>23.43</b>	23.38	23.34	<b>24.87</b>	24.71	24.70	1	0	24.60	24.69	<b>24.71</b>	<b>23.43</b>	23.38	23.34	<b>24.87</b>	24.71	24.70
		1	24	24.66	24.67	24.64	23.40	23.40	23.29	24.63	24.62	24.45	1	24	24.66	24.67	24.64	23.40	23.40	23.29	24.63	24.62	24.45
		1	49	24.58	24.46	24.59	23.37	23.32	23.26	24.64	24.28	24.55	1	49	24.58	24.46	24.59	23.37	23.32	23.26	24.64	24.28	24.55
		25	0	23.46	23.48	23.50	22.20	22.17	22.16	23.29	23.37	23.31	25	0	23.46	23.48	23.50	22.20	22.17	22.16	23.29	23.37	23.31
		25	12	23.53	23.59	23.59	22.30	22.25	22.15	23.33	23.39	23.30	25	12	23.53	23.59	23.59	22.30	22.25	22.15	23.33	23.39	23.30
		25	24	23.51	23.50	23.52	22.28	22.23	22.20	23.31	23.33	23.33	25	24	23.51	23.50	23.52	22.28	22.23	22.20	23.31	23.33	23.33
		50	0	23.51	23.56	23.56	22.24	22.16	22.13	23.33	23.35	23.24	50	0	23.51	23.56	23.56	22.24	22.16	22.13	23.33	23.35	23.24
	64QAM	1	0	23.75	23.66	<b>23.86</b>	22.48	22.50	22.43	<b>23.65</b>	23.58	23.64	1	0	23.75	23.66	<b>23.86</b>	22.48	22.50	22.43	<b>23.65</b>	23.58	23.64
		1	24	23.76	23.74	23.85	<b>22.52</b>	22.49	22.38	23.53	23.54	23.59	1	24	23.76	23.74	23.85	<b>22.52</b>	22.49	22.38	23.53	23.54	23.59
		1	49	23.65	23.73	23.76	22.41	22.42	22.30	23.43	23.38	23.42	1	49	23.65	23.73	23.76	22.41	22.42	22.30	23.43	23.38	23.42
		25	0	22.49	22.48	22.54	21.20	21.18	21.16	22.29	22.28	22.27	25	0	22.49	22.48	22.54	21.20	21.18	21.16	22.29	22.28	22.27
		25	12	22.58	22.58	22.61	21.30	21.27	21.17	22.39	22.35	22.27	25	12	22.58	22.58	22.61	21.30	21.27	21.17	22.39	22.35	22.27
		25	24	22.52	22.52	22.54	21.25	21.24	21.21	22.31	22.32	22.31	25	24	22.52	22.52	22.54	21.25	21.24	21.21	22.31	22.32	22.31
		50	0	22.53	22.55	22.58	21.28	21.16	21.14	22.32	22.34	22.26	50	0	22.53	22.55	22.58	21.28	21.16	21.14	22.32	22.34	22.26
	256QAM	1	0	20.50	20.59	20.57	19.32	19.27	19.20	20.39	20.37	20.41	1	0	20.50	20.59	20.57	19.32	19.27	19.20	20.39	20.37	20.41
		1	24	20.62	20.67	<b>20.70</b>	<b>19.39</b>	19.36	19.22														

**5G NR n12**

<b>Test Engineer ID:</b>	28498	<b>Test Date:</b>	4/20/2023
--------------------------	-------	-------------------	-----------

**OUTPUT POWER FOR 5G NR n12 (5.0 MHz)**

Bandwidth (MHz)	Modulation	RB Allocation	RB Offset	Conducted Average (dBm)								
				ANT 1			ANT 2			ANT 3		
				140300	141500	142700	140300	141500	142700	140300	141500	142700
5.0	BPSK	1	0	25.39	25.32	25.24	24.50	24.39	24.39	24.75	25.09	25.13
		1	1	<b>25.70</b>	25.58	25.48	24.65	24.61	24.66	24.91	25.23	25.26
		1	23	25.59	25.47	25.50	<b>24.70</b>	24.53	24.68	24.90	25.27	25.17
		1	24	25.32	25.36	25.23	24.51	24.43	24.36	24.58	25.06	24.92
		12	6	25.58	25.44	25.44	24.65	24.57	24.53	24.72	<b>25.40</b>	25.20
		25	0	25.29	25.24	25.22	24.38	24.31	24.31	24.68	25.02	24.95
	QPSK	1	0	24.59	24.38	23.90	23.94	23.80	23.46	24.22	24.58	23.91
		1	1	<b>25.27</b>	25.08	24.89	<b>24.26</b>	24.07	24.01	24.91	25.18	24.86
		1	23	25.15	25.09	25.02	24.20	24.02	24.15	24.85	25.23	25.18
		1	24	24.12	24.44	24.03	23.50	23.13	23.45	24.15	24.38	24.39
		12	6	25.11	25.06	24.78	24.21	24.11	24.11	24.82	<b>25.28</b>	24.91
		25	0	24.20	24.35	23.74	23.45	23.42	23.43	24.07	24.60	23.92
	16QAM	1	0	23.38	23.25	22.92	22.48	21.95	22.19	23.51	23.70	22.92
		1	1	24.23	<b>24.48</b>	23.88	23.47	22.96	23.21	24.48	24.59	23.98
		1	23	23.80	24.45	24.02	23.37	22.88	23.19	24.51	24.52	24.39
		1	24	22.88	23.25	23.02	22.32	21.85	22.23	23.32	23.53	23.30
		12	6	24.11	24.39	23.73	<b>23.53</b>	23.35	23.34	23.90	<b>24.61</b>	23.89
		25	0	23.27	23.33	22.89	22.50	22.34	22.36	23.17	23.58	23.12
	64QAM	1	0	22.72	23.03	22.55	21.75	21.69	21.66	22.89	23.08	22.71
		1	1	22.85	23.03	22.60	21.90	21.82	21.76	22.81	23.00	22.72
		1	23	22.51	23.11	22.51	21.81	21.67	21.81	22.80	23.03	23.11
		1	24	22.52	<b>23.13</b>	22.61	21.78	21.64	21.83	22.67	22.99	23.04
		12	6	22.86	22.82	22.29	21.95	21.88	21.85	22.66	<b>23.13</b>	22.50
		25	0	22.76	22.87	22.43	<b>21.96</b>	21.90	21.85	22.56	23.01	22.51
	256QAM	1	0	20.87	20.73	20.73	<b>20.13</b>	19.55	19.73	20.53	20.91	20.96
1		1	20.61	20.77	20.85	20.09	19.71	19.79	20.49	21.02	20.94	
1		23	20.74	20.86	20.74	19.96	19.60	19.75	20.36	20.90	21.02	
1		24	20.65	20.78	20.74	20.03	19.69	19.71	20.48	21.12	21.02	
12		6	<b>20.90</b>	<b>20.90</b>	20.89	20.07	19.87	19.92	21.09	<b>21.16</b>	21.06	
25		0	20.87	20.81	20.83	19.93	19.77	19.84	20.97	21.04	21.03	

**OUTPUT POWER FOR 5G NR n12 (10.0 MHz)**

Bandwidth (MHz)	Modulation	RB Allocation	RB Offset	Conducted Average (dBm)								
				ANT 1			ANT 2			ANT 3		
				140800	141500	142200	140800	141500	142200	140800	141500	142200
10.0	BPSK	1	0	25.43	25.36	25.38	24.25	24.26	24.35	25.16	25.11	25.11
		1	1	<b>25.70</b>	25.49	25.52	24.52	24.41	<b>24.70</b>	<b>25.40</b>	25.22	25.22
		1	50	25.43	25.50	25.42	24.37	24.41	24.46	25.29	25.15	25.07
		1	51	25.18	25.24	25.28	24.12	24.25	24.24	25.08	25.01	24.87
		25	12	25.52	25.42	25.49	24.43	24.41	24.52	25.18	25.28	25.20
		50	0	25.31	25.22	25.29	24.29	24.18	24.26	25.02	25.07	25.07
	QPSK	1	0	24.47	23.96	24.28	23.89	23.58	23.77	24.59	24.25	24.58
		1	1	<b>25.16</b>	24.96	25.09	<b>24.27</b>	24.09	24.00	<b>25.40</b>	25.34	25.34
		1	50	25.13	24.81	24.95	24.15	23.76	23.96	25.28	24.77	25.19
		1	51	24.40	23.79	23.95	23.40	22.77	23.23	24.58	23.80	24.32
		25	12	25.09	25.05	24.99	24.10	24.02	24.00	25.21	25.30	24.87
		50	0	24.36	24.25	24.02	23.29	23.30	23.14	24.49	24.48	24.07
	16QAM	1	0	23.21	22.80	23.09	22.65	22.65	22.55	23.18	23.44	23.60
		1	1	24.28	23.99	24.10	<b>23.70</b>	23.56	23.56	24.20	24.55	<b>24.65</b>
		1	50	24.16	23.88	23.64	23.50	23.19	23.48	24.11	23.90	24.37
		1	51	23.05	22.83	22.51	22.49	22.28	22.44	23.10	22.89	23.28
		25	12	24.34	<b>24.35</b>	24.12	23.39	23.24	22.94	24.55	24.63	24.02
		50	0	23.40	23.28	23.12	22.28	22.29	22.28	23.53	23.54	23.20
	64QAM	1	0	22.93	22.97	22.97	21.79	21.77	21.80	23.27	22.89	23.05
		1	1	<b>23.10</b>	22.77	22.85	21.79	21.69	21.70	<b>23.34</b>	22.93	22.87
		1	50	22.80	22.84	22.78	21.62	21.59	21.70	22.99	22.41	22.74
		1	51	22.86	22.69	22.70	21.69	21.56	21.69	23.15	22.38	22.70
		25	12	22.82	22.84	22.73	21.83	21.76	21.62	23.03	23.10	22.55
		50	0	22.89	22.83	22.64	<b>21.87</b>	21.73	21.69	23.07	23.09	22.74
	256QAM	1	0	20.86	20.81	<b>21.08</b>	19.88	19.84	19.67	21.01	20.88	21.00
1		1	20.94	20.90	20.83	<b>19.96</b>	19.83	19.47	20.91	20.80	21.00	
1		50	20.84	20.94	20.94	19.80	19.91	19.62	21.09	20.81	21.03	
1		51	20.85	20.88	20.80	19.90	19.92	19.60	20.97	20.69	20.97	
25		12	20.87	20.79	20.77	19.80	19.77	19.81	<b>21.15</b>	21.04	20.97	
50		0	20.90	20.79	20.85	19.82	19.81	19.85	21.09	21.08	21.04	

**OUTPUT POWER FOR 5G NR n12 (15.0 MHz)**

Bandwidth (MHz)	Modulation	RB Allocation	RB Offset	Conducted Average (dBm)								
				ANT 1			ANT 2			ANT 3		
				141300	141500	141700	141300	141500	141700	141300	141500	141700
15.0	BPSK	1	0	25.49	25.53	25.47	24.41	24.45	24.41	25.15	25.20	25.17
		1	1	25.65	25.63	<b>25.70</b>	24.60	24.55	<b>24.70</b>	<b>25.40</b>	<b>25.40</b>	25.39
		1	77	25.57	25.54	25.59	24.44	24.48	24.43	25.13	25.15	25.16
		1	78	25.37	25.32	25.28	24.26	24.20	24.25	24.95	24.93	24.92
		36	18	25.55	25.52	25.49	24.47	24.45	24.44	25.22	25.25	25.19
		75	0	25.40	25.35	25.38	24.31	24.35	24.34	25.07	25.06	25.04
		1	0	24.40	24.19	24.36	23.99	23.91	23.94	24.31	24.20	24.33
		1	1	<b>25.27</b>	25.15	25.21	<b>24.27</b>	24.12	24.13	25.25	25.35	<b>25.38</b>
		1	77	24.76	24.93	25.15	24.10	24.06	24.09	24.71	25.09	25.18
	1	78	23.71	23.98	24.14	23.24	23.26	23.29	23.74	24.04	24.16	
	36	18	25.18	25.16	25.13	24.17	24.08	24.07	25.22	25.29	25.23	
	75	0	24.21	24.08	24.14	23.36	23.14	23.06	24.29	24.06	24.01	
	1	0	23.57	23.04	23.23	22.40	22.40	22.40	23.63	23.09	23.09	
	1	1	<b>24.58</b>	24.13	24.30	23.37	23.41	23.20	24.54	24.13	24.07	
	1	77	23.80	23.88	24.13	23.30	23.27	23.21	24.14	23.81	23.94	
	1	78	23.01	22.83	23.20	22.18	22.27	22.13	23.17	22.82	22.79	
	36	18	24.44	24.47	24.41	<b>23.46</b>	23.38	23.20	24.56	<b>24.59</b>	24.52	
	75	0	23.22	23.21	23.17	22.40	22.37	22.25	23.43	23.22	23.21	
	1	0	23.11	23.04	23.03	22.02	<b>22.10</b>	21.75	23.09	22.73	22.75	
	1	1	23.03	<b>23.15</b>	22.98	22.06	22.09	21.90	<b>23.11</b>	22.77	22.70	
	1	77	22.74	22.85	22.77	21.82	22.00	21.68	22.51	22.57	22.57	
	1	78	22.56	22.96	22.71	21.73	21.94	21.60	22.61	22.65	22.60	
	36	18	22.94	22.96	23.00	22.00	21.94	21.81	23.06	23.05	23.07	
	75	0	22.78	22.76	22.68	21.88	21.93	21.70	22.80	22.71	22.67	
	1	0	21.15	21.08	<b>21.39</b>	20.13	20.01	20.06	21.08	21.06	<b>21.34</b>	
	1	1	20.91	20.93	21.13	<b>20.18</b>	19.89	19.97	21.08	21.13	21.28	
	1	77	20.96	20.99	21.10	19.98	19.74	19.78	20.63	20.90	21.09	
	1	78	20.84	21.03	20.95	19.75	19.87	19.92	20.72	20.94	20.94	
	36	18	20.95	20.96	20.97	19.89	19.86	19.79	21.09	21.06	21.07	
	75	0	20.88	20.90	20.92	19.84	19.82	19.77	21.02	20.98	20.93	

### 8.3. LTE BAND 13

Test Engineer ID:	28498	Test Date:	4/7/2023
-------------------	-------	------------	----------

#### OUTPUT POWER FOR LTE BAND 13 (5.0 MHz)

Bandwidth (MHz)	Modulation	RB Allocation	RB Offset	Conducted Average (dBm)								
				ANT 1			ANT 2			ANT 3		
				23205	23230	23255	23205	23230	23255	23205	23230	23255
5.0	QPSK	1	0	25.55	25.58	25.58	24.35	24.59	24.57	25.08	25.31	25.27
		1	12	25.63	25.65	25.70	24.58	24.68	24.70	24.96	25.40	25.38
		1	24	25.51	25.53	25.53	24.58	24.57	23.69	24.97	25.28	25.27
		12	0	24.85	24.87	24.81	23.42	23.63	23.51	24.07	24.25	24.26
		12	6	24.93	24.95	24.83	23.58	23.65	23.63	24.07	24.36	24.28
		12	11	24.89	24.90	24.89	23.62	23.61	23.60	23.63	24.31	24.33
	25	0	24.50	24.46	24.39	23.65	23.64	23.50	24.12	24.34	24.23	
	16QAM	1	0	24.86	24.80	24.78	23.18	23.43	23.33	24.48	24.66	24.69
		1	12	24.98	24.91	24.92	23.41	23.46	23.42	24.41	24.74	24.77
		1	24	24.85	24.78	24.73	23.29	23.33	22.71	24.42	24.64	24.58
		12	0	23.52	23.46	23.36	21.83	22.23	22.06	23.13	23.36	23.28
		12	6	23.65	23.57	23.39	22.12	22.23	22.15	23.19	23.48	23.29
		12	11	23.61	23.53	23.43	22.20	22.22	22.12	22.74	23.43	23.34
	25	0	23.55	23.43	23.41	22.25	22.21	22.06	23.17	23.35	23.24	
	64QAM	1	0	23.83	23.77	23.72	22.29	22.33	22.19	23.51	23.52	23.52
		1	12	23.86	23.84	23.79	22.42	22.31	22.25	23.56	23.51	23.55
		1	24	23.75	23.77	23.69	22.26	22.24	21.83	23.46	23.43	23.43
		12	0	22.42	22.46	22.41	21.01	21.23	21.12	22.31	22.29	22.29
		12	6	22.51	22.55	22.44	21.18	21.28	21.22	22.39	22.40	22.29
		12	11	22.48	22.53	22.49	21.25	21.19	21.13	22.35	22.34	22.35
	25	0	22.51	22.49	22.39	21.26	21.21	21.10	22.35	22.34	22.25	
	256QAM	1	0	20.52	20.53	20.42	19.28	19.33	19.16	20.30	20.30	20.30
		1	12	20.60	20.63	20.71	19.45	19.28	19.27	20.47	20.40	20.40
		1	24	20.53	20.57	20.64	19.29	19.21	19.18	20.39	20.29	20.29
		12	0	20.43	20.41	20.39	19.19	19.23	19.11	20.27	20.28	20.27
12		6	20.51	20.53	20.44	19.18	19.23	19.21	20.36	20.37	20.28	
12		11	20.47	20.52	20.46	19.23	19.19	19.14	20.31	20.33	20.32	
25	0	20.48	20.49	20.36	19.25	19.19	19.06	20.32	20.32	20.25		

#### OUTPUT POWER FOR LTE BAND 13 (10.0 MHz)

Bandwidth (MHz)	Modulation	RB Allocation	RB Offset	Conducted Average (dBm)											
				ANT 1				ANT 2				ANT 3			
				N/A	23230	N/A	N/A	23230	N/A	N/A	N/A	N/A	23230	N/A	
10.0	QPSK	1	0		25.70			24.57			25.40				
		1	24		25.67			24.70			25.35				
		1	49		25.62			23.86			25.25				
		25	0		24.95			23.73			24.35				
		25	12		25.01			23.70			24.42				
		25	24		24.98			23.62			24.34				
	16QAM	50	0		24.58			23.68			24.41				
		1	0		24.91			23.44			24.77				
		1	24		24.83			23.44			24.64				
		1	49		24.82			22.73			24.61				
		25	0		23.53			22.31			23.39				
		25	12		23.63			22.29			23.46				
	64QAM	25	24		23.58			22.23			23.37				
		50	0		23.58			22.26			23.41				
		1	0		23.95			22.55			23.64				
		1	24		23.99			22.39			23.65				
		1	49		23.84			22.05			23.55				
		25	0		22.57			21.31			22.35				
	256QAM	25	12		22.67			21.26			22.44				
		25	24		22.63			21.19			22.38				
		50	0		22.64			21.27			22.39				
		1	0		20.63			19.35			20.38				
		1	24		20.73			19.38			20.49				
		1	49		20.66			19.34			20.37				
	25	0		20.53			19.30			20.36					
25	12		20.63			19.29			20.40						
25	24		20.58			19.22			20.35						
50	0		20.58			19.24			20.41						

### 8.4. LTE BAND 14 AND 5G NR n14

#### LTE BAND 14

<b>Test Engineer ID:</b>	28567	<b>Test Date:</b>	4/24/2023
--------------------------	-------	-------------------	-----------

#### OUTPUT POWER FOR LTE BAND 14 (5.0 MHz)

Bandwidth (MHz)	Modulation	RB Allocation	RB Offset	Conducted Average (dBm)								
				ANT 1			ANT 2			ANT 3		
				23305	23330	23355	23305	23330	23355	23305	23330	23355
5.0	QPSK	1	0	25.56	25.58	25.63	24.55	24.52	24.52	24.61	25.28	24.59
		1	12	25.67	25.70	25.68	24.67	24.64	24.70	24.67	25.40	24.76
		1	24	25.54	25.61	25.64	24.50	24.50	24.54	24.58	25.25	24.63
		12	0	24.82	24.88	24.90	23.60	23.51	23.49	23.66	24.33	23.56
		12	6	24.96	25.01	24.92	23.62	23.63	23.54	23.70	24.33	23.56
		12	11	24.90	24.95	24.95	23.60	23.59	23.57	23.66	24.29	23.66
		25	0	24.47	24.51	24.45	23.58	23.57	23.48	23.67	24.28	23.54
		1	0	24.60	24.67	24.77	23.41	23.27	23.35	24.05	24.72	23.94
		1	12	24.75	24.77	24.80	23.41	23.48	23.42	24.09	24.74	24.15
	1	24	24.67	24.73	24.70	23.30	23.34	23.29	23.98	24.57	23.94	
	12	0	23.45	23.53	23.48	22.08	21.98	22.12	22.67	23.44	22.67	
	12	6	23.53	23.64	23.50	22.11	22.09	22.12	22.69	23.44	22.68	
	12	11	23.51	23.62	23.51	22.05	22.04	22.17	22.62	23.39	22.74	
	25	0	23.52	23.54	23.45	22.18	22.12	22.06	22.70	23.31	22.56	
	1	0	23.60	23.57	23.64	22.23	22.16	22.20	22.86	23.40	22.76	
	1	12	23.64	23.68	23.69	22.28	22.18	22.26	22.83	23.43	22.78	
	1	24	23.56	23.60	23.63	22.18	22.16	22.22	22.79	23.31	22.73	
	12	0	22.44	22.46	22.45	21.17	21.06	21.07	21.71	22.33	21.60	
	12	6	22.58	22.56	22.49	21.21	21.18	21.13	21.73	22.34	21.64	
	12	11	22.53	22.55	22.54	21.18	21.13	21.15	21.67	22.29	21.69	
	25	0	22.51	22.53	22.45	21.17	21.15	21.07	21.66	22.31	21.58	
	1	0	20.56	20.51	20.50	19.18	19.15	19.09	19.76	20.38	19.63	
	1	12	20.62	20.65	20.63	19.38	19.29	19.22	19.82	20.54	19.78	
	1	24	20.58	20.55	20.57	19.13	19.19	19.22	19.73	20.32	19.69	
	12	0	20.41	20.45	20.44	19.14	19.07	19.05	19.67	20.30	19.57	
	12	6	20.53	20.52	20.45	19.17	19.20	19.09	19.69	20.31	19.59	
	12	11	20.50	20.49	20.52	19.14	19.12	19.11	19.64	20.30	19.65	
	25	0	20.51	20.48	20.43	19.14	19.15	19.07	19.68	20.29	19.60	

#### OUTPUT POWER FOR LTE BAND 14 (10.0 MHz)

Bandwidth (MHz)	Modulation	RB Allocation	RB Offset	Conducted Average (dBm)								
				ANT 1			ANT 2			ANT 3		
				N/A	23330	N/A	N/A	23330	N/A	N/A	23330	N/A
10.0	QPSK	1	0		25.68			24.70			25.40	
		1	24		25.70			24.67			25.33	
		1	49		25.63			24.61			25.26	
		25	0		24.96			23.63			24.35	
		25	12		25.06			23.70			24.38	
		25	24		25.01			23.66			24.33	
		50	0		24.60			23.71			24.38	
		1	0		24.77			23.42			24.87	
		1	24		24.80			23.38			24.70	
	1	49		24.76			23.31			24.72		
	25	0		23.56			22.23			23.38		
	25	12		23.65			22.30			23.42		
	25	24		23.58			22.25			23.36		
	50	0		23.61			22.26			23.35		
	1	0		23.84			22.56			23.63		
	1	24		23.85			22.52			23.60		
	1	49		23.76			22.44			23.48		
	25	0		22.53			21.22			22.33		
	25	12		22.62			21.30			22.36		
	25	24		22.55			21.27			22.32		
	50	0		22.58			21.26			22.34		
	1	0		20.60			19.39			20.45		
	1	24		20.66			19.48			20.47		
	1	49		20.57			19.41			20.34		
	25	0		20.49			19.20			20.35		
	25	12		20.57			19.30			20.40		
	25	24		20.56			19.25			20.30		
	50	0		20.55			19.27			20.36		

**5G NR n14**

Test Engineer ID:	28567	Test Date:	4/20/2023
-------------------	-------	------------	-----------

**OUTPUT POWER FOR 5G NR n14 (5.0 MHz)**

Bandwidth (MHz)	Modulation	RB Allocation	RB Offset	Conducted Average (dBm)								
				ANT 1			ANT 2			ANT 3		
				158100	158600	159100	158100	158600	159100	158100	158600	159100
5.0	BPSK	1	0	23.70	23.70	23.70	22.70	22.70	22.70	24.99	25.05	25.02
		1	1	25.69	<b>25.70</b>	25.66	<b>24.70</b>	24.45	24.52	25.19	25.15	<b>25.40</b>
		1	23	25.57	25.56	25.51	24.52	24.37	24.40	25.22	25.15	25.13
		1	24	23.60	23.62	23.64	22.60	22.61	22.61	24.94	24.94	24.90
		12	6	25.67	25.57	25.57	24.59	24.48	24.48	25.27	25.23	25.13
		25	0	25.37	25.34	25.32	24.29	24.22	24.19	24.98	24.93	24.94
	QPSK	1	0	22.79	22.79	22.82	22.23	22.30	22.27	24.58	24.55	24.62
		1	1	25.21	<b>25.27</b>	<b>24.27</b>	24.14	24.15	25.32	25.18	<b>25.39</b>	
		1	23	25.13	25.12	25.09	24.17	24.03	24.02	25.32	25.13	25.22
		1	24	22.64	22.66	22.73	21.69	21.77	21.61	24.54	24.41	24.34
		12	6	25.18	25.15	25.14	24.18	24.03	24.03	25.20	25.22	25.18
		25	0	24.43	24.41	24.40	23.40	23.34	23.34	24.53	24.47	24.48
	16QAM	1	0	21.94	21.81	21.67	20.72	20.73	20.89	23.48	23.83	23.75
		1	1	24.46	24.50	24.38	<b>23.52</b>	23.34	<b>23.52</b>	24.38	24.77	<b>24.80</b>
		1	23	<b>24.54</b>	24.49	24.05	23.39	23.21	23.39	24.28	24.72	24.67
		1	24	21.75	21.65	21.63	20.57	20.61	20.73	23.32	23.63	23.65
		12	6	24.46	24.39	24.36	23.44	23.36	23.35	24.47	24.50	24.44
		25	0	23.37	23.45	23.45	22.42	22.30	22.33	23.44	23.40	23.46
	64QAM	1	0	21.32	21.43	21.49	20.16	20.26	20.24	22.87	<b>23.14</b>	22.97
		1	1	22.97	<b>23.29</b>	23.26	<b>21.92</b>	21.79	21.74	22.82	23.00	23.08
		1	23	22.93	23.03	22.99	21.77	21.66	21.62	22.80	23.11	22.81
		1	24	21.04	21.39	21.47	20.05	20.10	20.10	22.83	23.05	22.84
		12	6	22.96	22.98	23.01	21.82	21.87	21.81	23.13	23.03	23.03
		25	0	23.02	22.90	22.86	21.87	21.86	21.79	23.00	23.06	22.96
	256QAM	1	0	19.15	18.97	19.16	18.16	18.24	18.22	20.72	21.09	20.98
1		1	21.02	20.65	20.74	19.96	19.78	19.75	20.74	20.92	<b>21.11</b>	
1		23	20.90	20.70	20.75	19.88	19.69	19.77	20.81	20.98	20.92	
1		24	19.08	18.90	18.99	18.05	18.08	18.20	21.05	20.91	20.83	
12		6	<b>21.04</b>	20.97	20.96	<b>20.04</b>	19.92	19.82	21.10	<b>21.11</b>	21.03	
25		0	20.92	20.87	20.90	19.83	19.80	19.81	20.97	20.96	20.96	

**OUTPUT POWER FOR 5G NR n14 (10.0 MHz)**

Bandwidth (MHz)	Modulation	RB Allocation	RB Offset	Conducted Average (dBm)											
				ANT 1				ANT 2				ANT 3			
				N/A	158600	N/A	N/A	158600	N/A	N/A	N/A	158600	N/A	N/A	
10.0	BPSK	1	0		23.70			22.70				25.23			
		1	1		<b>25.70</b>			<b>24.70</b>				<b>25.40</b>			
		1	50		25.46			24.48				25.27			
		1	51		23.50			22.47				21.09			
		25	12		25.50			24.56				<b>25.40</b>			
		50	0		25.34			24.39				25.13			
	QPSK	1	0		22.74			22.27				24.73			
		1	1		<b>25.27</b>			<b>24.27</b>				25.31			
		1	50		25.05			24.06				25.25			
		1	51		22.53			21.60				24.38			
		25	12		25.10			24.11				<b>25.32</b>			
		50	0		24.37			23.41				24.67			
	16QAM	1	0		21.98			20.99				23.31			
		1	1		<b>24.70</b>			<b>23.78</b>				24.40			
		1	50		24.49			23.71				24.42			
		1	51		21.70			20.62				23.36			
		25	12		24.42			23.34				<b>24.66</b>			
		50	0		23.41			22.36				23.66			
	64QAM	1	0		21.44			20.23				<b>23.43</b>			
		1	1		<b>23.24</b>			<b>22.01</b>				23.40			
		1	50		22.89			21.80				23.19			
		1	51		21.30			20.06				23.29			
		25	12		22.87			21.93				23.24			
		50	0		22.95			21.84				23.19			
	256QAM	1	0		18.76			18.12				<b>21.33</b>			
1		1		20.55			<b>19.94</b>				20.97				
1		50		20.50			19.75				21.13				
1		51		18.63			18.10				21.04				
25		12		20.83			19.93				21.20				
50		0		<b>20.92</b>			19.86				21.28				



### 8.5. LTE BAND 17

Test Engineer ID:	28567	Test Date:	4/7/2023
-------------------	-------	------------	----------

#### OUTPUT POWER FOR LTE BAND 17 (5.0 MHz)

Bandwidth (MHz)	Modulation	RB Allocation	RB Offset	Conducted Average (dBm)								
				ANT 1			ANT 2			ANT 3		
				23755	23790	23825	23755	23790	23825	23755	23790	23825
5.0	QPSK	1	0	25.57	25.55	25.59	24.54	24.58	24.57	25.21	25.23	25.09
		1	12	25.68	25.69	<b>25.70</b>	24.64	24.66	<b>24.70</b>	<b>25.40</b>	25.37	25.09
		1	24	25.54	25.56	25.59	24.58	24.56	24.54	25.20	24.86	25.22
		12	0	24.81	24.84	24.82	23.54	23.56	23.53	24.20	24.26	23.91
		12	6	24.91	24.93	24.85	23.63	23.64	23.54	24.28	24.32	24.10
	16QAM	12	11	24.87	24.90	24.95	23.60	23.62	23.59	24.27	24.26	24.19
		25	0	24.45	24.49	24.40	23.60	23.61	23.52	24.26	24.20	24.16
		1	0	24.62	24.62	24.66	23.31	23.32	23.32	24.49	24.41	24.27
		1	12	24.70	<b>24.75</b>	24.53	<b>23.50</b>	23.44	23.40	<b>24.60</b>	24.53	24.27
		1	24	24.59	24.60	24.69	23.33	23.34	23.34	24.44	24.07	24.43
	64QAM	12	0	23.37	23.49	23.52	22.12	22.20	22.09	23.20	23.38	22.97
		12	6	23.45	23.59	23.52	22.22	22.29	22.11	23.29	23.46	23.16
		12	11	23.48	23.55	23.57	22.19	22.29	22.13	23.27	23.43	23.10
		25	0	23.47	23.51	23.45	22.18	22.20	22.11	23.29	23.23	23.20
		1	0	23.54	23.46	<b>23.61</b>	22.25	22.24	22.31	23.31	23.44	23.37
	256QAM	1	12	<b>23.61</b>	23.54	23.59	22.32	22.35	<b>22.40</b>	23.35	<b>23.54</b>	23.23
		1	24	23.48	23.47	23.55	22.21	22.23	22.18	23.26	23.24	23.30
		12	0	22.43	22.45	22.45	21.13	21.13	21.14	22.21	22.27	22.06
		12	6	22.54	22.54	22.49	21.25	21.23	21.15	22.33	22.38	22.22
		12	11	22.50	22.50	22.54	21.22	21.21	21.20	22.27	22.33	22.21
	256QAM	25	0	22.49	22.51	22.45	21.19	21.19	21.12	22.29	22.24	22.22
		1	0	20.44	20.50	20.61	19.20	19.28	19.18	20.33	20.26	20.37
		1	12	20.57	20.62	<b>20.69</b>	19.29	<b>19.37</b>	<b>19.37</b>	<b>20.48</b>	20.42	20.44
		1	24	20.53	20.54	20.61	19.23	19.24	19.20	20.29	20.31	20.30
		12	0	20.40	20.45	20.43	19.12	19.10	19.11	20.20	20.24	20.05
256QAM	12	6	20.50	20.55	20.47	19.24	19.23	19.13	20.31	20.36	20.18	
	12	11	20.44	20.49	20.50	19.17	19.19	19.18	20.24	20.34	20.20	
	25	0	20.48	20.49	20.42	19.16	19.18	19.08	20.24	20.23	20.20	

#### OUTPUT POWER FOR LTE BAND 17 (10.0 MHz)

Bandwidth (MHz)	Modulation	RB Allocation	RB Offset	Conducted Average (dBm)								
				ANT 1			ANT 2			ANT 3		
				23780	23790	23800	23780	23790	23800	23780	23790	23800
10.0	QPSK	1	0	25.62	25.61	25.67	<b>24.70</b>	<b>24.70</b>	24.69	25.34	25.38	<b>25.40</b>
		1	24	25.62	25.64	<b>25.70</b>	24.64	24.67	24.68	25.37	25.37	25.36
		1	49	25.56	25.61	25.58	24.60	24.58	24.61	24.99	25.26	25.27
		25	0	24.89	24.90	24.94	23.61	23.60	23.61	24.34	24.34	24.32
		25	12	24.97	25.00	24.93	23.72	23.69	23.71	24.43	24.33	24.41
	16QAM	25	24	24.94	24.94	24.94	23.66	23.66	23.67	24.36	24.17	24.25
		50	0	24.53	24.55	24.48	23.70	23.70	23.62	24.32	24.31	24.38
		1	0	24.61	24.69	24.61	23.41	23.40	<b>23.42</b>	24.53	24.54	24.54
		1	24	24.64	<b>24.70</b>	24.68	23.34	23.37	23.41	24.51	<b>24.58</b>	24.37
		1	49	24.47	24.62	24.58	23.32	23.30	23.34	24.23	24.41	24.42
	64QAM	25	0	23.47	23.50	23.51	22.20	22.19	22.19	23.32	23.34	23.34
		25	12	23.55	23.58	23.50	22.27	22.28	22.30	23.43	23.36	23.40
		25	24	23.52	23.52	23.53	22.22	22.23	22.24	23.37	23.28	23.36
		50	0	23.52	23.54	23.48	22.26	22.23	22.17	23.32	23.32	23.37
		1	0	23.70	23.74	<b>23.84</b>	22.42	22.46	22.40	23.57	23.50	23.64
	256QAM	1	24	23.75	23.78	23.83	22.42	<b>22.55</b>	22.45	23.65	23.53	<b>23.66</b>
		1	49	23.71	23.66	23.70	22.31	22.44	22.33	23.47	23.42	23.55
		25	0	22.47	22.47	22.48	21.19	21.21	21.21	22.33	22.35	22.33
		25	12	22.55	22.55	22.49	21.30	21.27	21.29	22.42	22.36	22.41
		25	24	22.51	22.51	22.52	21.21	21.26	21.23	22.38	22.38	22.35
	256QAM	50	0	22.52	22.51	22.46	21.24	21.24	21.21	22.30	22.34	22.39
		1	0	20.54	20.57	20.56	19.37	19.25	19.26	20.38	20.45	20.40
		1	24	20.62	<b>20.67</b>	20.66	<b>19.46</b>	19.38	19.35	20.45	<b>20.55</b>	20.52
		1	49	20.59	20.58	20.51	19.35	19.26	19.25	20.37	20.39	20.36
		25	0	20.45	20.47	20.46	19.19	19.17	19.19	20.31	20.35	20.34
256QAM	25	12	20.55	20.55	20.46	19.26	19.27	19.29	20.41	20.36	20.42	
	25	24	20.51	20.51	20.53	19.21	19.20	19.24	20.32	20.39	20.34	
	50	0	20.51	20.52	20.46	19.23	19.23	19.18	20.28	20.31	20.39	

### 8.6. LTE BAND 25 AND 5G NR n25

#### LTE BAND 25

Test Engineer ID:	28567	Test Date:	4/12/2023
-------------------	-------	------------	-----------

#### OUTPUT POWER FOR LTE BAND 25 (1.4 MHz)

Bandwidth (MHz)	Modulation	RB Allocation	RB Offset	Conducted Average (dBm)											
				ANT 1			ANT 2			ANT 3			ANT 4		
				26047	26365	26683	26047	26365	26683	26047	26365	26683	26047	26365	26683
1.4	QPSK	1	0	25.66	25.65	25.52	23.14	23.31	23.00	25.48	25.40	25.37	22.50	22.86	22.64
		1	2	25.67	25.67	25.53	23.16	23.38	23.09	<b>25.50</b>	25.39	25.38	22.53	<b>22.90</b>	22.65
		1	5	25.64	25.67	25.55	23.13	23.36	23.05	25.46	25.42	25.38	22.45	<b>22.90</b>	22.67
		3	0	25.64	25.68	25.52	23.12	23.39	23.03	25.43	25.36	25.38	22.44	22.86	22.61
		3	1	25.69	25.69	25.53	23.14	23.36	23.07	25.46	25.37	25.42	22.43	22.87	22.63
		3	2	25.62	<b>25.70</b>	25.54	23.15	<b>23.40</b>	23.06	25.45	25.34	25.41	22.49	<b>22.90</b>	22.64
	16QAM	6	0	24.49	24.57	24.39	22.14	22.30	22.01	24.54	24.40	24.46	21.32	21.65	21.47
		1	0	24.70	24.68	24.60	21.84	22.16	21.78	24.72	24.59	24.62	21.47	21.91	21.67
		1	2	<b>24.80</b>	24.73	24.65	21.88	<b>22.20</b>	21.79	<b>24.77</b>	24.63	24.66	21.49	21.94	21.77
		1	5	24.65	24.68	24.62	21.85	22.09	21.76	<b>24.77</b>	24.71	24.68	21.47	<b>21.95</b>	21.75
		3	0	24.61	24.64	24.41	21.79	22.01	21.65	24.67	24.57	24.56	21.46	21.86	21.53
		3	1	24.65	24.66	24.46	21.82	22.04	21.64	24.70	24.52	24.54	21.45	21.87	21.59
	64QAM	3	2	24.57	24.66	24.44	21.80	21.99	21.63	24.68	24.53	24.56	21.46	21.87	21.61
		6	0	23.44	23.53	23.44	20.70	20.85	20.50	23.61	23.38	23.41	20.39	20.70	20.50
		1	0	23.69	23.78	23.46	20.93	<b>21.21</b>	20.81	23.80	23.68	23.68	20.54	20.95	20.69
		1	2	23.71	<b>23.81</b>	23.51	20.92	21.14	20.87	<b>23.82</b>	23.78	23.75	20.54	<b>21.06</b>	20.75
		1	5	23.70	23.74	23.44	20.87	21.18	20.81	23.75	23.63	23.72	20.50	21.04	20.71
		3	0	23.61	23.66	23.47	20.85	20.98	20.64	23.67	23.59	23.56	20.44	20.71	20.61
	256QAM	3	1	23.64	23.68	23.49	20.87	20.99	20.66	23.67	23.59	23.56	20.44	20.80	20.57
		3	2	23.63	23.68	23.48	20.87	21.00	20.65	23.70	23.61	23.55	20.45	20.78	20.60
		6	0	22.55	22.51	22.34	19.74	19.91	19.60	22.58	22.48	22.49	19.32	19.66	19.46
		1	0	20.61	20.67	20.43	17.74	18.01	17.62	20.70	20.49	20.51	17.43	17.72	17.49
		1	2	<b>20.72</b>	20.69	20.48	17.74	<b>18.09</b>	17.70	20.70	20.58	20.58	17.49	<b>17.90</b>	17.53
		1	5	20.54	20.66	20.44	17.81	18.05	17.66	<b>20.71</b>	20.56	20.51	17.49	17.83	17.48

#### OUTPUT POWER FOR LTE BAND 25 (3.0 MHz)

Bandwidth (MHz)	Modulation	RB Allocation	RB Offset	Conducted Average (dBm)											
				ANT 1			ANT 2			ANT 3			ANT 4		
				26055	26365	26675	26055	26365	26675	26055	26365	26675	26055	26365	26675
3.0	QPSK	1	0	25.55	25.62	25.41	23.11	23.23	22.97	25.39	25.32	25.27	22.33	22.78	22.40
		1	7	25.65	<b>25.70</b>	25.55	23.18	<b>23.40</b>	23.09	<b>25.50</b>	25.42	25.39	22.37	<b>22.90</b>	22.60
		1	14	25.54	25.60	25.46	23.10	23.28	22.95	25.40	25.30	25.31	22.24	22.78	22.52
		8	0	24.92	24.87	24.72	22.17	22.29	21.97	24.55	24.41	24.36	21.40	21.75	21.43
		8	4	24.95	24.98	24.74	22.21	22.36	22.01	24.58	24.43	24.48	21.40	21.79	21.58
		8	7	24.92	24.97	24.76	22.19	22.37	22.00	24.57	24.43	24.48	21.39	21.81	21.56
	16QAM	15	0	24.47	24.43	24.28	22.18	22.25	21.95	24.51	24.39	24.34	21.21	21.64	21.30
		1	0	24.57	24.63	24.43	21.82	21.95	21.71	24.65	24.58	24.52	21.36	21.74	21.44
		1	7	<b>24.71</b>	24.68	24.58	21.86	<b>22.18</b>	21.78	<b>24.73</b>	24.64	24.68	21.39	<b>21.92</b>	21.54
		1	14	24.65	24.59	24.46	21.84	22.06	21.84	24.67	24.56	24.55	21.27	21.83	21.58
		8	0	23.54	23.47	23.31	20.76	20.88	20.57	23.56	23.39	23.34	20.26	20.70	20.34
		8	4	23.57	23.59	23.36	20.80	21.00	20.60	23.60	23.42	23.49	20.27	20.76	20.44
	64QAM	8	7	23.56	23.59	23.34	20.80	20.98	20.59	23.61	23.43	23.49	20.25	20.74	20.50
		15	0	23.51	23.47	23.29	20.74	20.86	20.55	23.55	23.38	23.37	20.25	20.66	20.31
		1	0	23.69	23.70	23.55	20.91	21.11	20.78	23.67	23.63	23.65	20.42	20.82	20.53
		1	7	23.74	<b>23.80</b>	23.71	21.00	<b>21.24</b>	20.92	23.71	<b>23.78</b>	23.74	20.48	<b>21.02</b>	20.67
		1	14	23.75	23.72	23.54	20.94	21.11	20.83	23.68	23.60	23.72	20.38	20.94	20.64
		8	0	22.57	22.47	22.36	19.77	19.89	19.55	22.61	22.44	22.46	19.30	19.66	19.37
	256QAM	8	4	22.61	22.59	22.39	19.82	20.02	19.61	22.63	22.47	22.54	19.32	19.71	19.49
		8	7	22.57	22.59	22.39	19.79	20.00	19.59	22.65	22.48	22.56	19.37	19.67	19.51
		15	0	22.53	22.45	22.31	19.74	19.85	19.50	22.59	22.45	22.39	19.26	19.65	19.33
		1	0	20.63	20.48	20.36	17.76	17.90	17.58	20.65	20.50	20.42	17.32	17.67	17.36
		1	7	<b>20.66</b>	20.65	20.50	17.86	<b>18.03</b>	17.75	<b>20.69</b>	20.66	20.61	17.46	<b>17.82</b>	17.63
		1	14	20.54	20.60	20.43	17.74	17.95	17.67	20.65	20.54	20.48	17.30	17.77	17.53

**OUTPUT POWER FOR LTE BAND 25 (5.0 MHz)**

Bandwidth (MHz)	Modulation	RB Allocation	RB Offset	Conducted Average (dBm)											
				ANT 1			ANT 2			ANT 3			ANT 4		
				26065	26365	26665	26065	26365	26665	26065	26365	26665	26065	26365	26665
5.0	QPSK	1	0	1852.5	1882.5	1912.5	1852.5	1882.5	1912.5	1852.5	1882.5	1912.5	1852.5	1882.5	1912.5
		1	12	25.54	25.55	25.44	23.01	23.20	22.97	25.32	25.30	25.29	22.81	22.63	22.59
		1	24	25.64	<b>25.70</b>	25.54	23.12	<b>23.40</b>	23.04	<b>25.50</b>	25.47	25.47	<b>22.90</b>	22.76	22.70
		12	0	24.88	24.86	24.75	22.06	22.18	22.00	24.53	24.39	24.36	21.89	21.69	21.60
		12	6	24.92	24.89	24.79	22.08	22.23	21.96	24.58	24.42	24.38	21.89	21.82	21.65
		12	11	24.89	24.92	24.78	22.05	22.27	21.97	24.56	24.41	24.36	21.84	21.76	21.71
		25	0	24.44	24.42	24.34	22.08	22.21	21.94	24.52	24.37	24.35	21.77	21.64	21.51
	16QAM	1	0	24.60	24.67	24.53	21.80	21.96	21.69	24.65	24.57	24.58	20.76	19.84	<b>21.36</b>
		1	12	<b>24.78</b>	24.72	24.65	21.90	<b>22.15</b>	21.74	<b>24.78</b>	24.71	24.75	20.85	19.94	<b>21.36</b>
		1	24	24.60	24.63	24.53	21.79	21.99	21.66	24.77	24.67	24.59	20.70	19.99	21.23
		12	0	23.46	23.44	23.37	20.72	20.74	20.48	23.61	23.39	23.24	19.57	18.59	20.12
		12	6	23.50	23.47	23.40	20.75	20.79	20.49	23.63	23.43	23.27	19.58	18.74	20.20
		12	11	23.49	23.50	23.35	20.74	20.85	20.45	23.60	23.40	23.25	19.54	18.75	20.13
		25	0	23.47	23.44	23.35	20.65	20.77	20.54	23.55	23.38	23.35	19.59	18.75	20.15
	64QAM	1	0	23.45	23.62	23.46	20.79	20.95	20.64	23.66	23.55	23.49	19.67	18.73	20.25
		1	12	23.56	<b>23.71</b>	23.52	20.85	<b>20.99</b>	20.69	<b>23.71</b>	23.68	23.62	19.68	18.92	<b>20.29</b>
		1	24	23.47	23.58	23.46	20.70	20.94	20.59	23.64	23.54	23.59	19.57	18.92	20.13
		12	0	22.49	22.46	22.35	19.66	19.79	19.55	22.57	22.39	22.36	18.64	17.66	19.14
		12	6	22.53	22.46	22.42	19.71	19.82	19.61	22.60	22.45	22.43	18.65	17.78	19.21
		12	11	22.49	22.53	22.37	19.66	19.87	19.55	22.56	22.40	22.40	18.59	17.78	19.17
		25	0	22.47	22.43	22.38	19.63	19.76	19.53	22.54	22.42	22.36	18.57	17.75	19.15
	256QAM	1	0	20.53	20.54	20.41	17.78	17.82	17.62	20.61	20.49	20.50	16.70	15.62	16.70
		1	12	20.57	<b>20.62</b>	20.54	17.88	<b>17.97</b>	17.67	<b>20.73</b>	20.69	20.65	16.72	15.84	<b>16.76</b>
		1	24	20.55	20.56	20.46	17.68	17.89	17.56	20.67	20.52	20.54	16.60	15.91	16.58
		12	0	20.45	20.45	20.34	17.64	17.77	17.53	20.53	20.41	20.37	16.62	15.59	16.55
		12	6	20.53	20.46	20.38	17.68	17.82	17.57	20.56	20.45	20.41	16.65	15.76	16.62
		12	11	20.50	20.47	20.35	17.65	17.86	17.54	20.56	20.42	20.38	16.57	15.79	16.61
		25	0	20.46	20.43	20.35	17.67	17.76	17.53	20.54	20.39	20.39	16.56	15.73	16.57

**OUTPUT POWER FOR LTE BAND 25 (10.0 MHz)**

Bandwidth (MHz)	Modulation	RB Allocation	RB Offset	Conducted Average (dBm)											
				ANT 1			ANT 2			ANT 3			ANT 4		
				26090	26365	26640	26090	26365	26640	26090	26365	26640	26090	26365	26640
10.0	QPSK	1	0	1855.0	1882.5	1910.0	1855.0	1882.5	1910.0	1855.0	1882.5	1910.0	1855.0	1882.5	1910.0
		1	24	25.59	25.65	25.52	23.12	23.35	23.12	25.46	25.38	25.37	22.44	<b>22.90</b>	22.62
		1	49	25.63	<b>25.70</b>	25.56	23.17	<b>23.40</b>	23.15	<b>25.50</b>	25.39	25.38	22.36	22.82	22.76
		25	0	24.91	24.91	24.79	22.16	22.32	22.07	24.60	24.46	24.39	21.41	21.83	21.59
		25	12	24.94	24.96	24.87	22.19	22.35	22.07	24.63	24.48	24.50	21.39	21.80	21.70
		25	24	24.92	25.00	24.84	22.21	22.40	22.14	24.58	24.45	24.50	21.35	21.76	21.77
		50	0	24.49	24.50	24.41	22.16	22.33	22.07	24.58	24.45	24.50	21.24	21.63	21.54
	16QAM	1	0	24.62	<b>24.71</b>	24.58	21.87	22.08	21.94	<b>24.74</b>	24.63	24.61	21.44	<b>21.95</b>	21.62
		1	24	24.63	<b>24.71</b>	24.60	21.94	<b>22.16</b>	21.88	24.71	24.67	24.62	21.43	21.85	21.79
		1	49	24.65	24.70	24.53	21.91	22.14	21.83	24.66	24.67	24.65	21.37	21.69	21.80
		25	0	23.52	23.51	23.31	20.74	20.92	20.67	23.62	23.46	23.40	20.28	20.70	20.51
		25	12	23.54	23.52	23.45	20.75	20.93	20.67	23.62	23.50	23.51	20.27	20.68	20.58
		25	24	23.50	23.60	23.42	20.75	21.01	20.71	23.59	23.47	23.49	20.24	20.64	20.68
		50	0	23.50	23.51	23.45	20.78	20.91	20.65	23.60	23.47	23.50	20.25	20.62	20.56
	64QAM	1	0	23.70	23.64	23.60	21.00	21.17	20.99	23.75	23.68	23.61	20.51	20.98	20.72
		1	24	23.76	23.74	23.63	21.03	<b>21.26</b>	20.95	<b>23.77</b>	23.70	23.65	20.49	<b>21.03</b>	20.87
		1	49	<b>23.78</b>	23.74	23.58	20.97	21.22	20.88	23.74	23.59	23.63	20.52	20.77	20.89
		25	0	22.51	22.49	22.37	19.75	19.90	19.66	22.61	22.48	22.43	19.31	19.72	19.52
		25	12	22.54	22.51	22.50	19.78	19.91	19.67	22.66	22.49	22.52	19.29	19.68	19.59
		25	24	22.51	22.56	22.44	19.79	20.00	19.68	22.61	22.46	22.47	19.27	19.67	19.68
		50	0	22.51	22.51	22.45	19.76	19.88	19.60	22.60	22.45	22.50	19.31	19.66	19.54
	256QAM	1	0	20.60	20.57	20.47	17.69	17.95	17.75	20.55	20.56	20.48	17.34	17.85	17.49
		1	24	<b>20.73</b>	20.72	20.55	17.85	<b>18.07</b>	17.85	<b>20.70</b>	20.66	20.60	17.44	<b>17.87</b>	17.80
		1	49	20.69	20.67	20.50	17.85	18.04	17.71	20.63	20.63	20.56	17.35	17.65	17.75
		25	0	20.50	20.48	20.37	17.76	17.89	17.65	20.60	20.47	20.38	17.32	17.73	17.50
		25	12	20.55	20.51	20.47	17.79	17.92	17.66	20.61	20.48	20.52	17.32	17.69	17.58
		25	24	20.53	20.55	20.42	17.76	17.97	17.68	20.60	20.45	20.51	17.26	17.65	17.66
		50	0	20.51	20.46	20.41	17.75	17.89	17.62	20.58	20.45	20.47	17.27	17.66	17.54

**OUTPUT POWER FOR LTE BAND 25 (15.0 MHz)**

Bandwidth (MHz)	Modulation	RB Allocation	RB Offset	Conducted Average (dBm)											
				ANT 1			ANT 2			ANT 3			ANT 4		
				26115	26365	26615	26115	26365	26615	26115	26365	26615	26115	26365	26615
15.0	QPSK	1	0	25.55	25.63	25.65	23.12	23.32	23.21	25.46	25.39	25.35	22.42	<b>22.90</b>	22.43
		1	37	25.60	25.69	<b>25.70</b>	23.19	<b>23.40</b>	23.14	25.48	25.45	25.39	22.34	22.86	22.66
		1	74	<b>25.70</b>	25.66	25.62	23.29	23.38	23.09	<b>25.50</b>	25.36	25.41	22.54	22.50	22.68
		36	0	24.95	24.99	24.98	22.22	22.36	22.20	24.57	24.51	24.46	21.35	21.89	21.52
		36	16	24.98	24.99	24.95	22.23	22.37	22.15	24.61	24.51	24.47	21.40	21.80	21.68
		36	35	24.98	25.07	25.02	22.24	22.45	22.19	24.60	24.58	24.56	21.44	21.74	21.75
	75	0	24.54	24.53	24.53	22.21	22.34	22.15	24.60	24.49	24.48	21.32	21.62	21.55	
	16QAM	1	0	24.66	24.76	24.72	21.88	22.10	22.05	24.76	24.68	24.68	21.47	<b>21.97</b>	21.48
		1	37	24.75	24.80	<b>24.82</b>	22.03	<b>22.25</b>	21.98	24.83	<b>24.85</b>	24.70	21.40	21.92	21.79
		1	74	24.77	24.74	24.69	22.03	22.11	21.91	24.79	24.74	24.64	21.61	21.53	21.80
		36	0	23.64	23.57	23.58	20.82	20.97	20.79	23.54	23.52	23.47	20.24	20.77	20.38
		36	16	23.59	23.58	23.54	20.82	20.96	20.74	23.63	23.52	23.48	20.30	20.68	20.59
		36	35	23.53	23.64	23.63	20.84	21.04	20.78	23.62	23.59	23.56	20.32	20.62	20.65
	75	0	23.54	23.56	23.56	20.82	20.94	20.75	23.62	23.51	23.49	20.33	20.63	20.57	
	64QAM	1	0	23.74	23.77	23.72	21.02	21.12	21.07	23.76	23.74	23.71	20.54	<b>21.05</b>	20.48
		1	37	23.78	23.81	23.78	21.01	<b>21.21</b>	21.06	23.79	23.85	23.76	20.48	21.01	20.81
		1	74	<b>23.83</b>	23.79	23.66	21.09	21.14	20.94	<b>23.87</b>	23.75	23.72	20.68	20.66	20.78
		36	0	22.64	22.55	22.54	19.80	19.93	19.78	22.55	22.50	22.49	19.25	19.78	19.40
		36	16	22.60	22.55	22.53	19.80	19.94	19.72	22.63	22.51	22.49	19.31	19.69	19.59
		36	35	22.62	22.62	22.58	19.83	20.02	19.76	22.62	22.60	22.56	19.34	19.65	19.68
	75	0	22.61	22.53	22.52	19.82	19.95	19.75	22.63	22.52	22.50	19.33	19.66	19.61	
	256QAM	1	0	20.59	20.63	20.63	17.83	18.06	17.87	20.64	20.62	20.53	17.43	<b>17.94</b>	17.47
		1	37	20.73	20.73	20.62	17.98	18.16	17.91	20.67	20.66	20.68	17.41	17.91	17.74
		1	74	20.72	<b>20.77</b>	20.68	17.98	<b>18.23</b>	17.88	<b>20.79</b>	20.76	20.70	17.63	17.66	17.90
		36	0	20.62	20.55	20.52	17.81	17.95	17.78	20.57	20.52	20.49	17.27	17.79	17.44
		36	16	20.61	20.52	20.52	17.81	17.95	17.73	20.63	20.52	20.48	17.30	17.69	17.61
		36	35	20.59	20.62	20.58	17.83	18.01	17.75	20.63	20.58	20.55	17.33	17.65	17.68
	75	0	20.61	20.54	20.54	17.82	17.95	17.74	20.63	20.53	20.50	17.34	17.67	17.61	

**OUTPUT POWER FOR LTE BAND 25 (20.0 MHz)**

Bandwidth (MHz)	Modulation	RB Allocation	RB Offset	Conducted Average (dBm)											
				ANT 1			ANT 2			ANT 3			ANT 4		
				26140	26365	26590	26140	26365	26590	26140	26365	26590	26140	26365	26590
20.0	QPSK	1	0	25.66	25.67	25.69	23.18	23.29	23.27	<b>25.50</b>	25.46	25.40	22.47	<b>22.90</b>	22.34
		1	49	25.68	<b>25.70</b>	25.66	23.17	<b>23.40</b>	23.19	25.49	25.46	25.44	22.39	22.81	22.55
		1	99	25.60	25.67	25.64	23.24	23.34	23.08	25.44	25.43	25.43	22.64	22.42	22.67
		50	0	24.98	25.00	25.00	22.26	22.37	22.26	24.69	24.58	24.54	21.38	21.88	21.43
		50	24	25.07	25.01	25.00	22.29	22.42	22.29	24.70	24.59	24.63	21.49	21.80	21.56
		50	49	25.01	25.05	25.04	22.30	22.46	22.21	24.64	24.64	24.60	21.59	21.67	21.73
	100	0	24.63	24.54	24.57	22.28	22.38	22.29	24.67	24.58	24.64	21.40	21.59	21.42	
	16QAM	1	0	24.76	24.68	24.73	21.95	22.10	22.06	24.70	24.76	24.58	21.42	21.99	21.31
		1	49	24.88	24.92	<b>25.06</b>	22.13	<b>22.49</b>	22.18	24.85	<b>24.94</b>	24.89	21.63	<b>22.00</b>	21.79
		1	99	24.74	24.65	24.71	21.96	22.11	21.87	24.63	24.71	24.67	21.68	21.39	21.76
		50	0	23.56	23.57	23.58	20.83	20.97	20.81	23.69	23.58	23.51	20.26	20.77	20.30
		50	24	23.64	23.59	23.58	20.87	21.00	20.87	23.70	23.60	23.62	20.35	20.67	20.43
		50	49	23.59	23.63	23.62	20.87	21.04	20.79	23.65	23.65	23.59	20.45	20.53	20.62
	100	0	23.63	23.55	23.58	20.85	20.97	20.89	23.67	23.60	23.64	20.40	20.63	20.43	
	64QAM	1	0	23.73	23.68	23.73	20.85	21.02	21.04	23.78	23.72	23.66	20.48	20.89	20.47
		1	49	23.77	<b>23.81</b>	<b>23.81</b>	21.03	<b>21.21</b>	21.18	<b>23.85</b>	23.76	23.82	20.48	<b>20.91</b>	20.61
		1	99	23.69	23.69	23.68	20.99	21.04	20.99	23.70	23.69	23.73	20.68	20.41	20.76
		50	0	22.48	22.55	22.57	19.81	19.94	19.84	22.67	22.57	22.54	19.26	19.73	19.30
		50	24	22.56	22.57	22.54	19.84	19.98	19.91	22.69	22.60	22.61	19.37	19.66	19.42
		50	49	22.58	22.62	22.56	19.84	19.99	19.89	22.65	22.63	22.58	19.44	19.53	19.59
	100	0	22.58	22.56	22.53	19.85	19.96	19.94	22.69	22.56	22.63	19.41	19.59	19.41	
	256QAM	1	0	20.69	20.65	20.62	17.85	18.07	18.02	20.76	20.73	20.65	17.49	<b>17.89</b>	17.34
		1	49	20.70	20.71	20.70	17.94	18.15	18.04	20.79	20.70	20.70	17.45	17.85	17.56
		1	99	20.77	<b>20.79</b>	20.74	18.08	<b>18.20</b>	18.06	<b>20.81</b>	20.74	20.79	17.79	17.53	17.76
		50	0	20.53	20.56	20.52	17.83	17.94	17.86	20.67	20.55	20.52	17.26	17.75	17.28
		50	24	20.61	20.55	20.53	17.85	17.98	17.96	20.69	20.56	20.60	17.37	17.66	17.41
		50	49	20.58	20.61	20.59	17.88	18.03	17.90	20.66	20.63	20.61	17.47	17.52	17.61
	100	0	20.60	20.54	20.54	17.84	17.95	17.95	20.67	20.54	20.61	17.41	17.62	17.41	

**5G NR n25**

Test Engineer ID:	28568	Test Date:	5/5/203
-------------------	-------	------------	---------

**OUTPUT POWER FOR 5G NR n25 (5.0 MHz)**

Bandwidth (MHz)	Modulation	RB Allocation	RB Offset	Conducted Average (dBm)											
				ANT 1			ANT 2			ANT 3			ANT 4		
				370500	376500	382500	370500	376500	382500	370500	376500	382500	370500	376500	382500
5.0	BPSK	1	0	25.38	25.37	25.24	23.20	23.16	23.11	25.03	25.27	25.19	22.32	22.34	22.14
		1	1	25.60	<b>25.70</b>	25.54	23.39	23.38	23.29	25.21	25.38	25.33	22.84	<b>22.90</b>	22.68
		1	23	25.56	25.63	25.54	<b>23.40</b>	23.38	23.30	25.21	25.36	25.35	22.78	22.84	22.67
		1	24	25.34	25.32	25.32	23.14	23.15	23.01	25.03	25.15	25.16	22.27	22.35	22.12
		12	6	25.50	25.52	25.60	23.26	23.19	23.29	25.27	25.36	<b>25.50</b>	22.76	22.71	22.65
	25	0	25.33	25.23	25.39	23.08	23.05	23.03	25.08	25.14	25.22	22.26	22.15	22.14	
	QPSK	1	0	24.43	24.51	24.48	22.66	22.64	22.60	24.64	24.74	24.59	21.74	21.73	21.52
		1	1	25.21	25.09	<b>25.27</b>	<b>22.96</b>	22.91	22.87	<b>25.49</b>	25.39	25.41	<b>22.77</b>	22.70	22.59
		1	23	25.21	25.15	25.18	22.95	22.91	22.81	<b>25.49</b>	25.44	25.45	22.72	22.62	22.67
		1	24	24.40	24.49	24.37	22.22	22.17	22.10	24.54	24.72	24.56	21.71	21.57	21.50
		12	6	25.11	25.04	25.12	22.74	22.89	22.80	25.32	25.44	25.42	22.71	22.48	22.53
	16QAM	25	0	24.42	24.30	24.53	22.10	22.18	22.14	24.67	24.69	24.76	21.66	21.52	21.53
		1	0	23.53	23.44	23.21	20.85	21.46	20.91	23.79	23.59	23.69	20.75	20.28	20.24
		1	1	<b>24.64</b>	24.33	24.16	21.92	22.48	22.01	<b>24.79</b>	24.59	24.77	<b>21.88</b>	21.45	21.41
		1	23	24.54	24.29	24.11	21.79	<b>22.67</b>	21.93	24.76	24.55	24.76	21.70	21.52	21.30
		1	24	23.45	23.35	23.13	20.91	21.49	20.98	23.74	23.52	23.68	20.68	20.42	20.31
	64QAM	12	6	24.38	24.23	24.37	22.25	22.07	22.12	24.65	24.66	24.69	21.57	21.43	21.55
		25	0	23.45	23.33	23.45	21.20	21.06	21.08	23.69	23.72	23.73	20.63	20.48	20.50
		1	0	22.69	23.06	23.06	20.56	20.91	20.64	23.31	23.31	23.18	19.80	20.07	19.64
		1	1	22.69	<b>23.14</b>	23.06	20.64	<b>20.96</b>	20.73	23.28	<b>23.40</b>	23.33	19.96	<b>20.18</b>	19.63
		1	23	22.64	23.08	23.08	20.56	20.88	20.77	23.20	23.31	23.23	19.78	19.96	19.62
	256QAM	1	24	22.65	23.09	23.12	20.56	20.87	20.66	23.24	23.33	23.26	19.86	19.95	19.51
		12	6	23.01	22.89	22.96	20.71	20.75	20.73	23.26	23.25	<b>23.40</b>	20.08	20.17	20.00
		25	0	22.97	22.89	22.89	20.66	20.68	20.59	23.12	23.20	23.25	20.09	20.10	19.97
		1	0	20.97	20.94	20.98	18.67	18.88	18.68	21.22	21.21	<b>21.39</b>	17.61	17.94	17.72
		1	1	20.98	20.97	<b>21.02</b>	18.63	18.86	18.70	21.17	21.18	21.38	17.88	17.99	17.75

**OUTPUT POWER FOR 5G NR n25 (10.0 MHz)**

Bandwidth (MHz)	Modulation	RB Allocation	RB Offset	Conducted Average (dBm)											
				ANT 1			ANT 2			ANT 3			ANT 4		
				371000	376500	382000	371000	376500	382000	371000	376500	382000	371000	376500	382000
10.0	BPSK	1	0	25.46	25.35	25.35	23.08	23.09	23.11	24.78	25.20	25.28	22.27	22.06	22.17
		1	1	<b>25.70</b>	25.48	25.55	<b>23.33</b>	23.26	23.27	25.07	25.43	<b>25.50</b>	<b>22.90</b>	22.61	22.71
		1	50	25.54	25.57	25.56	23.31	23.30	23.19	25.08	25.43	25.42	22.72	22.55	22.68
		1	51	25.34	25.29	25.31	23.03	23.03	23.00	24.93	25.22	25.24	22.19	22.10	22.13
		25	12	25.55	25.43	25.60	23.28	23.15	23.27	25.19	25.40	25.45	22.67	22.64	22.62
	QPSK	50	0	25.38	25.29	25.42	23.05	23.04	23.04	25.00	25.27	25.29	22.20	22.15	22.20
		1	0	24.54	24.37	24.56	22.55	22.49	22.60	24.55	24.73	24.73	21.78	21.42	21.52
		1	1	<b>25.26</b>	25.09	25.25	22.95	22.82	22.84	25.25	25.42	25.41	<b>22.77</b>	22.55	22.62
		1	50	25.21	25.16	24.78	22.86	22.86	22.89	25.11	<b>25.48</b>	25.38	22.57	22.49	22.64
		1	51	24.44	24.50	23.78	22.15	22.12	21.86	24.50	24.74	24.68	21.66	21.48	21.62
	16QAM	25	12	25.12	24.98	25.16	<b>22.97</b>	22.82	22.87	25.28	25.40	25.47	22.65	22.49	22.53
		50	0	24.48	24.33	24.58	22.20	22.17	22.16	24.60	24.72	24.83	21.69	21.51	21.49
		1	0	23.25	23.40	23.45	21.39	21.22	21.24	23.51	23.49	23.85	20.40	20.20	20.19
		1	1	24.31	24.28	24.41	<b>22.43</b>	22.14	22.38	24.53	24.43	24.76	21.49	21.20	21.27
		1	50	24.30	24.31	24.17	22.40	22.39	22.26	24.44	24.53	<b>24.79</b>	21.46	21.12	21.26
	64QAM	1	51	23.24	23.38	22.97	21.31	21.22	21.26	23.42	23.49	23.74	20.48	20.07	20.23
		25	12	24.47	24.42	<b>24.49</b>	22.16	22.22	22.21	24.60	24.75	24.73	<b>21.62</b>	21.50	21.42
		50	0	23.43	23.40	23.51	21.17	21.10	21.15	23.65	23.79	23.81	20.70	20.54	20.54
		1	0	23.08	23.09	22.93	20.51	20.72	20.79	22.90	23.12	23.33	19.98	19.67	20.01
		1	1	<b>23.19</b>	22.99	22.97	20.46	20.72	<b>20.93</b>	22.94	23.25	23.16	<b>20.15</b>	19.93	20.14
	256QAM	1	50	22.90	23.02	22.93	20.43	20.82	20.91	22.93	23.11	23.30	19.89	19.75	20.07
		1	51	23.13	23.00	22.97	20.48	20.79	20.81	22.88	23.12	23.19	19.97	19.84	20.04
		25	12	23.07	22.86	23.01	20.68	20.63	20.56	23.15	23.26	23.37	20.14	20.08	20.00
		50	0	22.97	22.88	23.03	20.71	20.62	20.62	23.21	23.33	<b>23.40</b>	20.08	20.06	19.97
		1	0	20.95	20.80	20.70	18.64	<b>18.76</b>	18.61	20.95	21.42	<b>21.48</b>	18.57	18.22	18.18

**OUTPUT POWER FOR 5G NR n25 (15.0 MHz)**

Bandwidth (MHz)	Modulation	RB Allocation	RB Offset	Conducted Average (dBm)											
				ANT 1			ANT 2			ANT 3			ANT 4		
				371500	376500	381500	371500	376500	381500	371500	376500	381500	371500	376500	381500
15.0	BPSK	1	0	25.48	25.27	25.12	23.18	23.06	23.09	25.32	25.23	25.02	22.32	22.30	22.29
		1	1	<b>25.70</b>	25.58	25.32	<b>23.37</b>	23.28	23.26	25.48	<b>25.50</b>	25.30	<b>22.90</b>	22.80	22.76
		1	77	25.42	25.50	25.36	23.33	23.19	23.31	25.42	25.39	25.20	22.83	22.79	22.83
		1	78	25.24	25.33	25.19	23.17	23.03	23.04	25.22	25.19	25.07	22.27	22.27	22.19
		36	18	25.42	25.42	25.23	23.14	23.09	23.24	25.27	25.27	25.22	22.64	22.65	22.67
	75	0	25.32	25.27	25.11	23.06	22.95	23.08	25.08	25.16	25.13	22.25	22.25	22.22	
	QPSK	1	0	24.49	24.48	20.20	22.63	22.64	22.67	24.70	24.77	24.64	21.70	21.61	21.68
		1	1	<b>25.26</b>	25.13	21.55	22.95	22.85	22.82	25.43	<b>25.49</b>	25.46	22.65	22.54	<b>22.73</b>
		1	77	25.20	25.02	20.38	22.90	22.83	<b>22.97</b>	25.33	25.40	25.46	22.68	22.59	22.72
		1	78	24.40	24.34	19.21	22.13	22.20	22.20	24.59	24.67	24.55	21.57	21.64	21.60
		36	18	25.10	25.05	24.91	22.83	22.71	22.80	25.24	25.39	25.31	22.49	22.48	22.58
	75	0	24.42	24.34	24.17	22.15	22.06	22.17	24.60	24.71	24.64	21.53	21.53	21.62	
	16QAM	1	0	23.54	23.57	23.33	21.27	21.16	21.03	23.95	23.84	23.49	20.74	20.40	20.27
		1	1	24.45	23.88	24.36	<b>22.29</b>	21.91	22.00	<b>24.97</b>	24.87	24.53	<b>21.69</b>	21.11	21.34
		1	77	24.44	24.14	23.62	22.16	21.85	21.85	24.88	24.73	24.56	21.59	21.30	21.27
		1	78	23.39	23.02	22.49	21.16	20.86	21.05	23.88	23.65	23.57	20.64	20.38	20.15
		36	18	<b>24.46</b>	24.04	24.28	22.08	22.02	22.07	24.52	24.60	24.64	21.50	21.55	21.58
	75	0	23.45	23.11	23.27	21.05	20.96	21.06	23.73	23.62	23.58	20.64	20.57	20.58	
	64QAM	1	0	<b>23.08</b>	22.53	22.84	20.55	20.51	<b>20.86</b>	23.42	23.10	23.12	20.25	20.01	20.23
		1	1	22.96	22.64	22.88	20.67	20.37	20.78	<b>23.52</b>	23.13	23.18	<b>20.28</b>	20.10	20.00
		1	77	22.92	22.42	22.93	20.40	20.49	20.69	23.38	23.17	23.04	20.18	20.03	19.96
		1	78	22.90	22.58	22.77	20.42	20.37	20.77	23.30	23.05	23.05	20.25	20.15	20.16
		36	18	22.88	22.61	22.77	20.43	20.46	20.50	23.15	23.21	23.07	19.99	20.04	20.13
	75	0	22.86	22.56	22.73	20.54	20.51	20.52	23.18	23.14	23.09	20.01	20.06	20.11	
	256QAM	1	0	21.00	20.61	20.66	18.84	18.75	18.64	21.42	21.53	21.20	<b>18.13</b>	17.72	18.08
		1	1	20.92	20.65	20.84	18.93	18.89	18.82	21.45	21.44	21.19	17.94	17.95	18.04
		1	77	<b>21.09</b>	20.64	20.64	18.88	18.77	18.82	21.39	<b>21.64</b>	21.23	17.77	17.94	17.88
		1	78	21.08	20.71	20.75	18.81	<b>18.99</b>	18.79	21.40	21.44	21.22	17.85	18.02	17.83
		36	18	20.87	20.63	20.74	18.49	18.42	18.64	21.13	21.06	21.16	18.08	18.09	18.11
	75	0	20.84	20.64	20.72	18.46	18.50	18.64	21.14	21.10	21.12	18.03	18.06	18.07	

**OUTPUT POWER FOR 5G NR n25 (20.0 MHz)**

Bandwidth (MHz)	Modulation	RB Allocation	RB Offset	Conducted Average (dBm)											
				ANT 1			ANT 2			ANT 3			ANT 4		
				372000	376500	381000	372000	376500	381000	372000	376500	381000	372000	376500	381000
20.0	BPSK	1	0	25.46	25.39	25.40	22.95	22.92	23.14	25.26	25.13	25.18	22.25	22.23	22.28
		1	1	<b>25.70</b>	25.57	25.50	23.22	23.12	<b>23.30</b>	<b>25.50</b>	25.44	25.33	<b>22.90</b>	22.75	22.76
		1	104	25.58	25.54	25.55	23.14	23.28	23.29	25.45	25.36	25.35	22.73	22.78	22.68
		1	105	25.32	25.34	25.41	22.92	22.96	23.13	25.25	25.22	25.15	22.24	22.30	22.19
		50	25	25.61	25.56	25.54	23.18	23.14	23.27	25.33	25.37	25.36	22.68	22.74	22.75
	100	0	25.44	25.38	25.32	23.07	22.94	23.06	25.12	25.18	25.18	22.14	22.27	22.27	
	QPSK	1	0	24.55	24.49	24.55	22.49	22.38	22.69	24.65	24.78	24.72	21.60	21.70	21.70
		1	1	25.26	25.21	25.19	22.86	22.71	22.81	25.39	25.45	<b>25.49</b>	<b>22.77</b>	22.65	22.69
		1	104	25.24	25.11	<b>25.27</b>	22.86	22.69	<b>22.97</b>	25.27	25.38	25.06	22.61	22.68	22.56
		1	105	24.53	24.44	24.34	22.14	21.88	22.22	24.68	24.73	24.08	21.59	21.66	21.64
		50	25	25.13	25.15	25.18	22.78	22.77	22.91	25.33	25.39	25.36	22.49	22.66	22.63
	100	0	24.51	24.47	24.46	22.08	21.99	22.12	24.63	24.70	24.67	21.54	21.63	21.58	
	16QAM	1	0	23.66	23.53	23.38	21.13	21.13	20.93	23.74	23.77	23.46	20.50	20.55	20.56
		1	1	<b>24.96</b>	24.40	24.42	<b>22.17</b>	22.11	21.96	24.72	<b>24.82</b>	24.45	21.48	21.59	<b>21.63</b>
		1	104	24.73	24.34	23.97	<b>22.17</b>	22.13	21.86	24.73	24.68	24.46	21.38	21.48	21.44
		1	105	23.73	23.28	22.85	21.23	21.10	21.02	23.83	23.66	23.36	20.44	20.79	20.36
		50	25	24.46	24.44	24.44	22.11	21.99	22.13	24.68	24.71	24.70	21.56	21.58	21.50
	100	0	23.52	23.50	23.46	21.09	21.10	21.09	23.69	23.74	23.66	20.59	20.56	20.53	
	64QAM	1	0	23.12	23.11	<b>23.24</b>	20.54	20.60	20.68	23.15	23.21	22.96	20.18	20.10	19.86
		1	1	23.14	22.91	23.11	20.55	20.70	20.56	<b>23.32</b>	23.23	22.94	20.09	20.06	19.81
		1	104	23.03	23.11	23.09	20.59	20.74	20.62	23.06	23.29	22.85	20.05	20.07	19.76
		1	105	23.09	22.95	23.18	20.47	<b>20.75</b>	20.55	23.14	23.02	22.91	<b>20.20</b>	20.00	19.68
		50	25	23.09	22.97	22.98	20.47	20.51	20.57	23.22	23.12	23.08	20.01	20.09	20.13
	100	0	23.02	23.00	23.00	20.52	20.50	20.58	23.22	23.19	23.12	20.02	20.09	20.08	
	256QAM	1	0	21.06	21.02	20.92	18.55	18.70	18.99	21.41	21.40	21.43	18.07	17.84	18.10
		1	1	<b>21.31</b>	20.99	20.89	18.56	18.78	18.93	21.43	<b>21.47</b>	21.33	17.89	17.88	17.95
		1	104	21.16	20.91	20.89	18.46	18.60	<b>19.01</b>	21.26	21.25	21.16	18.04	17.91	17.88
		1	105	21.12	20.92	20.84	18.53	18.73	18.99	21.37	21.18	21.19	17.89	17.87	17.89
		50	25	20.96	20.98	20.94	18.47	18.49	18.55	21.15	21.17	21.09	18.07	18.04	18.08
	100	0	20.97	20.94	20.94	18.45	18.51	18.58	21.14	21.12	21.08	18.08	<b>18.14</b>	18.10	

**OUTPUT POWER FOR 5G NR n25 (25.0 MHz)**

Bandwidth (MHz)	Modulation	RB Allocation	RB Offset	Conducted Average (dBm)												
				ANT 1			ANT 2			ANT 3			ANT 4			
				372500	376500	380500	372500	376500	380500	372500	376500	380500	372500	376500	380500	
25.0	BPSK	1	0	25.46	25.46	25.39	23.11	23.07	23.07	25.24	25.32	25.14	22.46	22.44	22.34	
		1	1	25.69	<b>25.70</b>	25.61	23.20	23.26	23.25	<b>25.50</b>	25.43	25.22	<b>22.90</b>	22.78	22.85	
		1	132	25.61	25.59	25.57	23.23	23.35	23.34	25.44	25.34	25.20	22.85	22.86	22.74	
		1	131	25.41	25.42	25.42	23.04	23.14	23.16	25.29	25.12	25.02	22.29	22.34	22.29	
		64	32	25.60	25.62	25.50	23.26	23.27	<b>23.40</b>	25.32	25.42	25.24	22.70	22.75	22.81	
	QPSK	128	0	25.49	25.36	25.33	23.12	23.04	23.18	25.17	25.21	25.04	22.32	22.20	22.27	
		1	0	24.59	24.59	24.41	22.58	22.63	22.73	24.76	24.77	24.59	21.67	21.70	21.73	
		1	1	<b>25.27</b>	25.17	25.10	22.93	22.87	22.85	25.42	25.46	25.27	22.76	22.70	22.70	
		1	132	25.26	25.22	25.19	22.82	22.89	<b>22.95</b>	<b>25.50</b>	25.42	25.29	<b>22.77</b>	22.70	22.66	
		1	131	24.56	24.45	24.36	22.10	22.15	22.11	24.73	24.70	24.58	21.62	21.71	21.59	
		64	32	25.22	25.16	25.10	22.82	22.87	22.88	25.38	25.48	25.27	22.66	22.58	22.64	
		128	0	24.51	24.41	24.39	22.14	22.14	22.08	24.64	24.74	24.56	21.67	21.55	21.65	
		1	0	23.56	23.70	23.39	21.00	21.10	21.20	23.67	23.89	23.53	21.00	20.87	20.69	
		1	1	<b>24.63</b>	<b>24.63</b>	24.12	22.20	22.00	22.17	24.71	<b>24.88</b>	24.46	<b>21.91</b>	21.84	21.63	
		1	132	24.47	24.51	24.45	21.92	22.11	<b>22.38</b>	24.62	24.74	24.48	21.77	21.71	21.73	
		1	131	23.17	23.41	23.48	21.07	21.18	21.31	23.68	23.80	23.33	20.84	20.86	20.61	
		16QAM	64	32	24.52	24.41	24.39	22.06	22.09	22.10	24.70	23.82	24.53	21.63	21.66	21.66
	128		0	23.52	23.40	23.34	21.13	21.09	21.11	23.69	23.43	23.53	20.67	20.70	20.65	
	1		0	22.98	<b>23.12</b>	23.11	20.70	20.80	20.53	23.26	23.20	22.86	19.99	20.17	20.20	
	1		1	22.97	22.98	23.04	20.77	20.70	20.59	<b>23.39</b>	23.23	22.86	19.86	19.98	20.24	
	1		132	22.89	22.93	23.01	20.71	20.55	<b>20.84</b>	23.23	23.19	22.77	<b>20.30</b>	19.95	20.17	
	1		131	22.97	23.02	22.96	20.73	20.80	20.62	23.36	23.08	22.76	19.95	19.90	20.15	
	64		32	22.99	22.87	22.89	20.57	20.56	20.62	23.18	22.98	23.00	20.10	20.23	20.09	
	128		0	22.97	22.93	22.88	20.69	20.66	20.66	23.28	23.04	23.09	20.13	20.17	20.11	
	64QAM		1	0	21.09	21.18	21.19	18.71	18.58	18.87	21.48	21.17	21.34	18.09	18.36	<b>18.41</b>
			1	1	21.13	21.14	21.14	18.87	18.39	<b>18.88</b>	<b>21.59</b>	21.22	21.15	18.17	18.29	18.21
			1	132	21.07	20.76	21.08	18.74	18.65	18.83	21.39	21.05	21.09	18.22	18.21	18.22
			1	131	20.91	<b>21.22</b>	20.99	18.75	18.58	18.85	21.30	21.04	21.17	18.13	18.38	17.81
		64	32	21.00	20.90	20.78	18.57	18.55	18.65	21.20	21.03	21.01	18.12	18.20	18.14	
		128	0	20.97	20.90	20.78	18.56	18.58	18.60	21.17	21.02	21.02	18.13	18.15	18.10	

**OUTPUT POWER FOR 5G NR n25 (30.0 MHz)**

Bandwidth (MHz)	Modulation	RB Allocation	RB Offset	Conducted Average (dBm)												
				ANT 1			ANT 2			ANT 3			ANT 4			
				373000	376500	380000	373000	376500	380000	373000	376500	380000	373000	376500	380000	
30.0	BPSK	1	0	25.31	25.31	25.38	22.86	22.92	23.05	25.21	25.28	25.27	22.31	22.28	22.24	
		1	1	<b>25.62</b>	25.48	25.50	22.98	23.04	23.20	25.31	<b>25.50</b>	25.35	<b>22.90</b>	22.65	22.66	
		1	158	25.52	25.56	25.61	23.10	23.17	<b>23.33</b>	25.42	25.39	25.46	22.75	22.60	22.76	
		1	159	25.36	25.35	25.31	22.91	22.98	23.17	25.14	25.22	25.18	22.22	22.23	22.17	
		80	40	25.52	25.48	25.60	23.08	23.14	23.20	25.31	25.44	25.46	22.72	22.71	22.66	
	QPSK	160	0	25.38	25.33	25.44	22.96	22.92	23.04	25.14	25.26	25.26	22.25	22.26	22.19	
		1	0	24.45	24.44	24.46	22.39	22.38	22.60	24.68	24.73	24.77	21.75	21.67	21.60	
		1	1	25.16	<b>25.27</b>	25.06	22.66	22.73	22.80	25.43	25.29	<b>25.47</b>	<b>22.77</b>	22.53	22.59	
		1	158	25.13	25.24	25.24	22.62	22.76	<b>22.97</b>	25.41	25.36	25.42	22.66	22.64	22.55	
		1	159	24.33	24.54	24.40	21.94	22.04	22.16	24.69	24.74	24.71	21.61	21.52	21.60	
		80	40	25.13	25.15	25.22	22.70	22.74	22.76	25.38	25.43	25.44	22.58	22.58	22.56	
		160	0	24.41	24.45	24.28	21.98	21.91	22.03	24.70	24.76	24.77	21.63	21.62	21.57	
		16QAM	1	0	23.42	23.26	23.01	20.66	21.03	21.27	23.54	24.15	24.00	20.79	20.54	20.40
			1	1	24.28	24.18	24.01	21.58	22.02	22.14	24.23	24.90	<b>25.07</b>	21.83	21.44	21.32
			1	158	24.28	24.25	23.90	21.74	21.92	<b>22.25</b>	24.34	25.04	24.95	<b>21.90</b>	21.44	21.20
			1	159	23.32	23.17	22.89	20.81	20.81	21.11	23.31	23.96	23.98	20.67	20.35	20.23
			80	40	<b>24.43</b>	24.41	24.32	21.93	22.01	22.03	24.71	24.75	24.72	21.58	21.61	21.52
	160		0	23.45	23.45	23.35	20.98	21.06	21.13	23.73	23.73	23.79	20.64	20.62	20.55	
	64QAM		1	0	23.06	23.03	23.14	20.39	20.38	20.52	23.08	23.19	23.36	20.09	19.88	19.76
			1	1	23.12	23.11	22.79	20.39	20.27	20.60	23.15	23.26	<b>23.39</b>	20.00	19.61	19.92
			1	158	23.03	23.10	22.61	20.37	20.48	<b>20.68</b>	23.02	23.25	23.28	20.07	19.79	19.92
			1	159	22.96	<b>23.18</b>	22.86	20.56	20.45	20.59	23.01	23.38	23.17	20.06	19.90	19.92
			80	40	22.88	22.82	22.81	20.50	20.49	20.55	23.17	23.13	23.29	20.04	20.02	<b>20.11</b>
			160	0	22.92	22.88	22.91	20.49	20.58	20.60	23.22	23.25	23.35	20.06	20.09	20.10
		256QAM	1	0	20.82	20.76	20.86	18.42	18.63	18.56	21.25	21.52	<b>21.60</b>	17.96	17.99	17.94
			1	1	20.84	20.77	20.74	<b>18.80</b>	18.70	18.78	21.37	21.45	21.42	17.77	17.87	17.72
			1	158	20.77	20.91	20.83	18.58	18.67	18.76	21.25	21.36	21.28	17.69	17.83	17.76
			1	159	20.80	20.63	<b>21.03</b>	18.41	18.63	18.60	21.24	21.44	21.34	17.66	17.71	17.92
			80	40	20.83	20.79	20.80	18.36	18.48	18.48	21.19	21.28	21.25	18.05	18.03	18.07
			160	0	20.88	20.87	20.89	18.47	18.53	18.60	21.27	21.27	21.32	18.05	18.06	<b>18.09</b>

**OUTPUT POWER FOR 5G NR n25 (35.0 MHz)**

Bandwidth (MHz)	Modulation	RB Allocation	RB Offset	Conducted Average (dBm)											
				ANT 1			ANT 2			ANT 3			ANT 4		
				373500	376500	397500	373500	376500	397500	373500	376500	397500	373500	376500	379500
35.0	BPSK	1	0	25.35	25.47	25.36	22.73	23.09	21.35	25.15	25.14	25.09	22.40	22.33	22.33
		1	1	25.59	25.67	<b>25.70</b>	22.91	23.20	21.40	25.37	<b>25.50</b>	25.37	22.74	22.60	22.70
		1	186	25.54	25.54	25.45	21.22	21.60	<b>23.40</b>	25.30	25.34	25.24	22.80	22.74	22.55
		1	187	25.31	25.31	25.21	21.03	21.43	23.27	25.03	25.17	25.00	22.25	22.18	22.10
		90	45	25.49	25.47	25.45	22.78	21.33	21.50	25.31	25.29	25.33	22.64	<b>22.90</b>	22.75
		180	0	25.37	25.35	25.33	22.48	21.56	20.24	25.15	25.25	25.18	22.21	22.26	22.23
	QPSK	1	0	24.52	24.57	24.52	22.37	22.57	18.89	24.55	24.79	24.55	21.80	21.66	21.70
		1	1	25.18	25.11	25.04	22.40	<b>22.77</b>	19.51	<b>25.42</b>	25.24	25.30	22.63	22.53	22.66
		1	186	25.01	25.05	25.14	20.79	21.20	19.01	25.42	25.26	25.29	<b>22.77</b>	22.68	22.64
		1	187	24.33	24.31	24.35	20.05	20.61	17.75	24.65	24.60	24.58	21.63	21.65	21.58
		90	45	25.06	25.17	<b>25.19</b>	22.40	20.89	21.10	25.27	25.40	25.28	22.64	22.70	22.61
		180	0	24.40	24.46	24.39	21.55	20.59	20.63	24.56	24.69	24.60	21.58	21.76	21.59
	16QAM	1	0	23.62	23.64	23.80	20.84	21.20	19.20	<b>23.82</b>	<b>23.72</b>	<b>23.88</b>	20.45	20.72	20.55
		1	1	24.55	24.58	<b>24.63</b>	21.59	<b>22.09</b>	20.27	24.77	24.71	<b>24.79</b>	21.59	21.58	21.57
		1	186	24.24	24.59	24.56	19.92	20.40	21.50	24.77	24.73	24.60	21.46	<b>21.78</b>	21.40
		1	187	23.48	23.60	23.73	18.92	19.48	20.30	23.75	23.91	23.62	20.26	20.55	20.36
		90	45	24.38	24.53	24.36	21.80	20.30	20.35	24.57	24.58	24.62	21.61	21.68	21.75
		180	0	23.50	23.49	23.41	20.58	19.60	19.55	23.61	23.65	23.59	20.62	20.65	20.73
	64QAM	1	0	22.89	22.78	23.85	20.23	<b>20.83</b>	18.95	23.26	23.85	<b>23.06</b>	<b>20.47</b>	20.11	20.45
		1	1	22.90	22.66	23.63	20.50	20.62	18.86	23.19	24.59	23.01	20.31	20.05	20.40
		1	186	22.53	22.95	<b>24.00</b>	18.40	19.00	20.25	23.18	<b>24.70</b>	22.95	20.36	20.26	20.12
		1	187	22.73	22.72	22.69	18.52	18.91	20.22	23.20	23.64	23.09	20.21	20.09	20.15
		90	45	22.87	22.82	23.43	20.20	18.85	18.81	23.04	24.62	23.10	20.06	20.12	20.11
		180	0	22.87	22.96	22.46	20.05	19.07	19.07	23.19	23.60	23.16	20.10	20.20	20.12
	256QAM	1	0	21.14	21.10	<b>21.39</b>	17.90	18.48	16.48	21.39	21.34	21.24	18.36	18.05	17.84
		1	1	21.35	21.05	21.29	17.78	18.20	16.58	<b>21.53</b>	21.09	21.30	18.23	18.25	18.03
		1	186	21.13	20.93	21.13	16.11	16.84	<b>18.74</b>	21.40	21.15	21.13	18.06	<b>18.43</b>	17.86
		1	187	21.10	21.11	21.12	16.25	16.72	18.55	21.51	21.25	21.29	18.28	18.16	17.95
		90	45	21.04	20.91	20.89	18.28	16.73	16.79	21.05	21.19	20.97	18.03	18.07	18.15
		180	0	20.97	20.99	20.97	18.08	17.17	17.07	21.14	21.15	20.99	18.07	18.15	18.24

**OUTPUT POWER FOR 5G NR n25 (40.0 MHz)**

Bandwidth (MHz)	Modulation	RB Allocation	RB Offset	Conducted Average (dBm)											
				ANT 1			ANT 2			ANT 3			ANT 4		
				374000	376500	379000	374000	376500	379000	374000	376500	379000	374000	376500	379000
40.0	BPSK	1	0	25.41	25.52	25.42	22.98	23.03	23.04	25.24	25.20	25.23	22.23	22.33	22.21
		1	1	<b>25.70</b>	25.66	25.66	23.14	23.17	23.12	<b>25.50</b>	25.28	25.28	<b>22.90</b>	22.70	22.73
		1	214	25.48	25.56	25.68	23.17	<b>23.40</b>	23.39	25.39	25.31	25.18	22.70	22.74	22.69
		1	215	25.26	25.45	25.41	22.98	23.21	23.22	25.24	25.14	25.07	22.18	22.18	22.12
		108	54	25.53	25.44	25.59	23.12	23.12	23.20	25.27	25.33	25.32	22.62	22.71	22.63
		216	0	25.42	25.40	25.48	22.95	23.10	23.09	25.15	25.12	25.22	22.20	22.25	22.26
	QPSK	1	0	23.49	24.45	24.31	22.61	22.52	22.51	24.39	24.73	24.69	21.83	21.69	21.72
		1	1	24.58	25.18	<b>25.22</b>	22.64	22.89	22.69	<b>25.45</b>	25.32	25.33	22.64	22.59	<b>22.77</b>
		1	214	24.02	24.87	24.23	<b>22.97</b>	22.85	22.91	25.01	25.40	25.21	22.63	22.56	21.84
		1	215	22.93	23.87	23.23	22.20	22.07	22.15	23.98	24.53	24.19	21.59	21.59	20.75
		108	54	25.14	25.14	25.19	22.74	22.76	22.86	25.40	25.39	25.39	22.55	22.62	22.60
		216	0	24.45	24.47	24.48	22.01	22.03	22.13	24.64	24.71	24.69	21.58	21.63	21.64
	16QAM	1	0	23.68	23.60	22.92	20.97	20.76	21.07	23.77	23.93	23.32	20.74	20.68	21.08
		1	1	<b>24.92</b>	24.54	23.97	22.03	22.07	22.07	24.63	24.73	24.25	21.84	21.63	21.81
		1	214	24.29	24.75	23.83	22.17	22.12	<b>22.23</b>	24.65	<b>24.99</b>	24.31	21.52	21.64	<b>21.94</b>
		1	215	23.31	23.75	22.46	20.96	20.71	21.18	23.84	23.97	23.26	20.38	20.55	20.87
		108	54	24.42	24.44	24.39	22.02	21.99	22.03	24.72	24.69	24.67	21.53	21.61	21.54
		216	0	23.46	23.46	23.47	21.01	21.06	21.10	23.71	23.69	23.66	20.69	20.63	20.61
	64QAM	1	0	23.20	<b>23.40</b>	23.24	20.68	20.71	20.43	22.93	23.11	23.24	19.70	19.88	19.71
		1	1	23.20	22.79	23.04	20.47	20.62	20.75	23.01	23.22	23.09	19.82	19.73	19.74
		1	214	23.13	22.82	23.23	20.78	<b>20.98</b>	20.88	23.13	23.17	23.14	19.82	19.88	19.62
		1	215	23.22	23.16	22.91	20.91	20.60	20.75	22.92	23.13	23.13	19.51	19.83	19.67
		108	54	22.92	22.89	22.83	20.58	20.58	20.53	23.16	23.13	23.18	20.14	20.07	20.02
		216	0	22.98	22.90	23.02	20.60	20.58	20.64	23.19	23.21	<b>23.25</b>	<b>20.17</b>	20.10	20.07
	256QAM	1	0	21.28	21.06	21.10	18.71	18.81	18.50	21.47	<b>21.76</b>	21.30	17.92	18.06	17.99
		1	1	21.18	21.04	20.95	18.64	18.62	18.48	21.70	21.65	21.25	17.79	<b>18.13</b>	17.91
		1	214	21.21	21.10	21.20	<b>19.09</b>	18.81	18.84	21.46	21.69	21.29	17.90	18.10	17.91
		1	215	<b>21.38</b>	20.99	21.34	18.89	18.73	18.71	21.56	21.74	21.40	17.99	18.00	17.99
		108	54	20.88	20.82	20.85	18.56	18.54	18.56	21.18	21.10	21.21	18.11	18.05	18.08
		216	0	20.93	20.90	20.99	18.58	18.54	18.59	21.24	21.18	21.29	18.12	18.06	18.09



### 8.7. LTE BAND 26 AND 5G NR n26 (Part 90S)

#### LTE BAND 26

Test Engineer ID:	28567	Test Date:	4/25/2023
-------------------	-------	------------	-----------

#### OUTPUT POWER FOR LTE BAND 26 (1.4 MHz)

Bandwidth (MHz)	Modulation	RB Allocation	RB Offset	Conducted Average (dBm)								
				ANT 1			ANT 2			ANT 3		
				26697	26740	26783	26697	26740	26783	26697	26740	26783
1.4	QPSK	1	0	25.58	25.63	25.55	24.65	24.59	24.56	25.28	25.31	25.24
		1	2	<b>25.70</b>	25.68	25.66	24.66	<b>24.70</b>	24.67	25.34	25.37	25.39
		1	5	25.67	25.65	25.63	24.64	24.64	24.65	25.31	25.34	25.38
		3	0	25.68	25.62	25.61	24.61	24.63	24.68	25.32	25.37	25.37
		3	1	25.67	25.64	25.61	24.61	24.65	24.68	25.34	25.39	25.37
		3	2	25.69	25.65	25.62	24.64	24.64	24.65	25.32	<b>25.40</b>	<b>25.40</b>
	16QAM	6	0	24.52	24.48	24.45	23.61	23.64	23.65	24.31	24.38	24.38
		1	0	24.60	24.60	24.49	23.32	23.34	23.27	24.64	24.68	24.69
		1	2	24.70	<b>24.71</b>	24.61	23.32	23.35	<b>23.37</b>	24.65	24.71	<b>24.77</b>
		1	5	24.63	24.67	24.61	23.27	23.28	23.35	24.66	24.73	24.69
		3	0	24.53	24.58	24.59	23.21	23.34	23.27	24.52	24.56	24.58
		3	1	24.57	24.57	24.58	23.25	23.34	23.30	24.53	24.59	24.59
	64QAM	3	2	24.54	24.59	24.57	23.27	23.33	23.26	24.55	24.60	24.59
		6	0	23.57	23.44	23.48	22.23	22.33	22.18	23.46	23.49	23.51
		1	0	23.55	<b>23.79</b>	23.67	22.44	22.38	22.35	23.44	23.55	23.52
		1	2	23.62	<b>23.81</b>	23.79	22.45	22.50	22.42	23.51	<b>23.57</b>	23.53
		1	5	23.61	23.76	23.74	22.43	<b>22.52</b>	22.42	23.48	23.55	23.45
		3	0	23.65	23.58	23.58	22.34	22.31	22.25	23.40	23.48	23.40
	256QAM	3	1	23.66	23.63	23.59	22.37	22.30	22.25	23.43	23.49	23.40
		3	2	23.67	23.59	23.58	22.35	22.28	22.26	23.43	23.50	23.40
		6	0	22.45	22.54	22.48	21.11	21.22	21.24	22.34	22.41	22.42
		1	0	20.53	20.54	20.48	19.27	19.27	19.21	20.44	20.49	20.35
		1	2	20.62	<b>20.63</b>	20.62	19.34	19.31	<b>19.37</b>	<b>20.58</b>	20.48	20.49
		1	5	20.62	20.55	20.53	19.25	19.25	19.28	20.46	20.46	20.47
		3	0	20.54	20.55	20.55	19.26	19.30	19.28	20.38	20.42	20.38
		3	1	20.54	20.54	20.56	19.26	19.34	19.29	20.38	20.42	20.39
		3	2	20.53	20.55	20.58	19.26	19.30	19.29	20.39	20.40	20.37
		6	0	20.50	20.45	20.43	19.17	19.09	19.34	20.33	20.15	20.26

#### OUTPUT POWER FOR LTE BAND 26 (3.0 MHz)

Bandwidth (MHz)	Modulation	RB Allocation	RB Offset	Conducted Average (dBm)								
				ANT 1			ANT 2			ANT 3		
				26705	26740	26775	26705	26740	26775	26705	26740	26775
3.0	QPSK	1	0	25.56	25.59	25.58	24.54	24.59	24.54	25.25	25.20	25.21
		1	7	<b>25.70</b>	25.69	25.66	24.64	<b>24.70</b>	24.67	25.35	<b>25.40</b>	25.37
		1	14	25.61	25.60	25.58	24.55	24.58	24.55	25.26	25.26	25.25
		8	0	24.98	24.98	24.88	23.65	23.56	23.64	24.34	24.33	24.27
		8	4	24.99	25.00	25.00	23.67	23.64	23.67	24.42	24.40	24.37
		8	7	24.99	25.01	24.95	23.64	23.66	23.65	24.40	24.38	24.38
	16QAM	15	0	24.53	24.50	24.50	23.63	23.61	23.65	24.37	24.33	24.37
		1	0	24.76	24.66	<b>24.79</b>	23.41	23.39	23.29	24.60	24.64	24.66
		1	7	24.73	24.75	24.77	<b>23.42</b>	<b>23.42</b>	23.38	24.74	24.74	<b>24.75</b>
		1	14	24.62	24.61	24.61	23.23	23.29	23.23	24.65	24.63	24.61
		8	0	23.56	23.55	23.49	22.23	22.16	22.27	23.45	23.42	23.35
		8	4	23.60	23.58	23.62	22.27	22.27	22.27	23.46	23.49	23.48
	64QAM	8	7	23.58	23.59	23.61	22.27	22.27	22.28	23.44	23.45	23.46
		15	0	23.58	23.52	23.51	22.20	22.22	22.22	23.39	23.38	23.42
		1	0	23.73	23.72	23.64	22.39	22.35	22.35	23.48	23.59	23.49
		1	7	<b>23.85</b>	23.78	23.81	22.38	22.43	<b>22.48</b>	23.56	<b>23.61</b>	23.58
		1	14	23.74	23.64	23.69	22.31	22.32	22.39	23.43	23.55	23.42
		8	0	22.63	22.58	22.50	21.22	21.17	21.29	22.37	22.33	22.30
	256QAM	8	4	22.65	22.63	22.63	21.27	21.30	21.31	22.41	22.38	22.41
		8	7	22.67	22.61	22.63	21.28	21.28	21.32	22.41	22.36	22.41
		15	0	22.54	22.54	22.54	21.21	21.22	21.24	22.37	22.34	22.38
		1	0	20.56	20.56	20.49	19.23	19.27	19.22	20.39	20.37	20.43
		1	7	20.69	<b>20.75</b>	20.68	19.41	19.42	<b>19.43</b>	20.54	20.52	<b>20.59</b>
		1	14	20.57	20.59	20.59	19.27	19.25	19.28	20.38	20.42	20.43
		8	0	20.55	20.55	20.47	19.23	19.14	19.26	20.38	20.34	20.24
		8	4	20.58	20.60	20.55	19.23	19.29	19.29	20.38	20.39	20.35
		8	7	20.60	20.60	20.59	19.23	19.26	19.29	20.36	20.35	20.34
		15	0	20.57	20.55	20.52	19.21	19.22	19.23	20.33	20.32	20.32

**OUTPUT POWER FOR LTE BAND 26 (5.0 MHz)**

Bandwidth (MHz)	Modulation	RB Allocation	RB Offset	Conducted Average (dBm)								
				ANT 1			ANT 2			ANT 3		
				26715	26740	26765	26715	26740	26765	26715	26740	26765
5.0	QPSK	1	0	25.52	25.52	25.49	24.56	24.57	24.55	25.23	25.14	25.15
		1	12	<b>25.70</b>	25.69	25.63	24.63	<b>24.70</b>	24.69	<b>25.40</b>	25.34	25.31
		1	24	25.51	25.52	25.50	24.55	24.54	24.55	25.28	25.20	25.19
		12	0	24.81	24.75	24.78	23.53	23.55	23.55	24.26	24.27	24.21
		12	6	24.91	24.88	24.91	23.66	23.64	23.65	24.35	24.34	24.31
		12	11	24.88	24.86	24.88	23.61	23.61	23.64	24.30	24.32	24.32
		25	0	24.44	24.42	24.41	23.60	23.60	23.61	24.35	24.27	24.31
	16QAM	1	0	24.55	24.65	24.64	23.35	23.33	23.32	24.64	24.58	24.60
		1	12	<b>24.73</b>	24.67	24.66	23.48	<b>23.51</b>	23.45	<b>24.85</b>	24.68	24.69
		1	24	24.57	24.62	24.60	23.35	23.33	23.35	24.66	24.57	24.55
		12	0	23.36	23.48	23.47	22.17	22.18	22.20	23.33	23.36	23.29
		12	6	23.46	23.59	23.56	22.27	22.29	22.29	23.45	23.43	23.42
		12	11	23.45	23.55	23.52	22.23	22.24	22.25	23.38	23.39	23.40
		25	0	23.47	23.41	23.43	22.19	22.19	22.22	23.37	23.32	23.36
	64QAM	1	0	23.52	23.57	23.64	22.29	22.36	22.31	23.36	23.53	23.43
		1	12	23.58	<b>23.66</b>	23.65	22.29	<b>22.40</b>	22.38	23.40	<b>23.55</b>	23.52
		1	24	23.47	23.49	23.55	22.29	22.29	22.28	23.38	23.49	23.36
		12	0	22.37	22.37	22.39	21.11	21.15	21.16	22.27	22.27	22.24
		12	6	22.51	22.48	22.49	21.23	21.26	21.27	22.35	22.32	22.35
		12	11	22.46	22.45	22.44	21.20	21.20	21.24	22.36	22.30	22.35
		25	0	22.44	22.44	22.41	21.17	21.24	21.22	22.31	22.28	22.32
	256QAM	1	0	20.42	20.51	20.41	19.17	19.30	19.30	20.31	20.31	20.37
		1	12	20.57	<b>20.67</b>	20.54	19.29	<b>19.42</b>	19.38	20.44	20.46	<b>20.53</b>
		1	24	20.49	20.50	20.43	19.24	19.26	19.27	20.32	20.36	20.37
		12	0	20.37	20.35	20.34	19.10	19.15	19.15	20.19	20.28	20.18
12		6	20.49	20.48	20.45	19.21	19.24	19.23	20.31	20.33	20.29	
12		11	20.45	20.43	20.41	19.16	19.23	19.21	20.29	20.29	20.28	
25		0	20.45	20.43	20.44	19.19	19.23	19.22	20.26	20.26	20.26	

**OUTPUT POWER FOR LTE BAND 26 (10.0 MHz)**

Bandwidth (MHz)	Modulation	RB Allocation	RB Offset	Conducted Average (dBm)								
				ANT 1			ANT 2			ANT 3		
				N/A	26740	N/A	N/A	26740	N/A	N/A	26740	N/A
10.0	QPSK	1	0	N/A	<b>25.70</b>	N/A	N/A	24.67	N/A	N/A	<b>25.40</b>	
		1	24	N/A	25.58	N/A	N/A	<b>24.70</b>	N/A	N/A	<b>25.40</b>	
		1	49	N/A	25.51	N/A	N/A	24.63	N/A	N/A	25.34	
		25	0	N/A	24.80	N/A	N/A	23.62	N/A	N/A	24.37	
		25	12	N/A	24.91	N/A	N/A	23.70	N/A	N/A	24.48	
		25	24	N/A	24.87	N/A	N/A	23.68	N/A	N/A	24.45	
		50	0	N/A	24.46	N/A	N/A	23.69	N/A	N/A	24.48	
	16QAM	1	0	N/A	<b>24.60</b>	N/A	N/A	<b>23.43</b>	N/A	N/A	<b>24.85</b>	
		1	24	N/A	24.58	N/A	N/A	<b>23.43</b>	N/A	N/A	24.78	
		1	49	N/A	24.56	N/A	N/A	23.35	N/A	N/A	24.70	
		25	0	N/A	23.41	N/A	N/A	22.22	N/A	N/A	23.46	
		25	12	N/A	23.47	N/A	N/A	22.31	N/A	N/A	23.54	
		25	24	N/A	23.45	N/A	N/A	22.29	N/A	N/A	23.50	
		50	0	N/A	23.47	N/A	N/A	22.30	N/A	N/A	23.49	
	64QAM	1	0	N/A	<b>23.66</b>	N/A	N/A	<b>22.45</b>	N/A	N/A	<b>23.67</b>	
		1	24	N/A	23.62	N/A	N/A	22.44	N/A	N/A	23.59	
		1	49	N/A	23.53	N/A	N/A	22.35	N/A	N/A	23.57	
		25	0	N/A	22.39	N/A	N/A	21.24	N/A	N/A	22.38	
		25	12	N/A	22.48	N/A	N/A	21.34	N/A	N/A	22.47	
		25	24	N/A	22.44	N/A	N/A	21.27	N/A	N/A	22.42	
		50	0	N/A	22.45	N/A	N/A	21.30	N/A	N/A	22.43	
	256QAM	1	0	N/A	20.48	N/A	N/A	19.27	N/A	N/A	20.50	
		1	24	N/A	<b>20.62</b>	N/A	N/A	<b>19.36</b>	N/A	N/A	<b>20.57</b>	
		1	49	N/A	20.47	N/A	N/A	19.26	N/A	N/A	20.44	
		25	0	N/A	20.36	N/A	N/A	19.22	N/A	N/A	20.33	
25		12	N/A	20.46	N/A	N/A	19.29	N/A	N/A	20.43		
25		24	N/A	20.44	N/A	N/A	19.26	N/A	N/A	20.37		
50		0	N/A	20.43	N/A	N/A	19.28	N/A	N/A	20.38		

**5G NR n26**

Test Engineer ID:	28567	Test Date:	4/13/2023
-------------------	-------	------------	-----------

**OUTPUT POWER FOR 5G NR n26 (5.0 MHz)**

Bandwidth (MHz)	Modulation	RB Allocation	RB Offset	Conducted Average (dBm)								
				ANT 1			ANT 2			ANT 3		
				163300	163800	164300	163300	163800	164300	163300	163800	164300
5.0	BPSK	1	0	24.20	25.70	25.67	23.20	24.21	24.65	25.40	25.40	25.40
		1	1	25.70	25.70	25.62	24.70	24.64	24.65	25.30	25.35	25.40
		1	23	25.67	25.66	25.70	24.67	24.60	24.70	25.24	25.29	25.34
		1	24	24.16	25.63	25.70	23.15	24.08	24.70	25.33	25.34	25.30
		12	6	25.68	25.70	25.68	24.70	24.68	24.70	25.40	25.36	25.40
	QPSK	25	0	25.43	25.47	25.47	24.43	24.45	24.45	25.13	25.15	25.11
		1	0	23.55	25.15	25.13	23.15	24.16	24.11	24.76	25.01	24.89
		1	1	25.65	25.65	25.65	24.63	24.70	24.60	25.40	25.40	25.36
		1	23	25.62	25.60	25.65	24.60	24.64	24.62	25.35	25.38	25.34
		1	24	23.62	25.10	25.25	23.08	24.12	24.13	24.89	24.95	24.82
	16QAM	12	6	25.70	25.69	25.70	24.67	24.70	24.67	25.36	25.40	25.36
		25	0	24.97	24.98	24.97	23.97	23.98	23.99	24.65	24.67	24.69
		1	0	22.40	24.32	24.05	22.68	23.55	23.15	24.02	24.01	23.77
		1	1	24.72	25.11	24.74	23.91	23.78	23.98	24.78	24.75	24.46
		1	23	24.62	25.04	24.79	23.88	23.58	23.95	24.74	24.64	24.46
	64QAM	1	24	22.42	24.21	24.11	22.56	23.47	23.16	24.00	23.94	23.68
		12	6	24.97	24.98	24.94	24.05	23.97	24.00	24.55	24.51	24.56
		25	0	23.93	23.98	23.92	23.01	22.89	22.98	23.61	23.66	23.69
		1	0	22.41	23.61	23.91	22.12	23.11	22.46	23.54	23.60	23.48
		1	1	23.57	23.43	23.54	22.44	22.33	22.23	23.22	23.26	23.25
	256QAM	1	23	23.62	23.40	23.54	22.39	22.22	22.32	22.98	23.20	23.04
		1	24	22.28	23.58	23.80	22.01	22.95	22.50	23.45	23.49	23.43
		12	6	23.56	23.57	23.40	22.52	22.46	22.38	23.19	23.19	23.21
		25	0	23.48	23.54	23.41	22.47	22.40	22.43	23.16	23.16	23.19
		1	0	20.03	21.68	21.59	20.16	20.91	20.78	21.32	21.55	21.32
256QAM	1	1	21.34	21.51	21.33	20.49	20.15	20.44	21.07	21.27	21.18	
	1	23	21.32	21.41	21.31	20.45	20.05	20.52	21.02	21.19	21.11	
	1	24	19.96	21.67	21.65	20.21	20.80	20.75	21.23	21.49	21.39	
	12	6	21.43	21.54	21.54	20.56	20.49	20.52	21.11	21.19	21.14	
	25	0	21.29	21.68	21.37	20.48	20.45	20.37	21.15	21.11	21.14	

**OUTPUT POWER FOR 5G NR n26 (10.0 MHz)**

Bandwidth (MHz)	Modulation	RB Allocation	RB Offset	Conducted Average (dBm)								
				ANT 1			ANT 2			ANT 3		
				N/A	163800	N/A	N/A	163800	N/A	N/A	163800	N/A
10.0	BPSK	1	0	N/A	25.42	N/A	N/A	24.45	N/A	N/A	25.13	N/A
		1	1	N/A	25.70	N/A	N/A	24.66	N/A	N/A	25.40	N/A
		1	50	N/A	25.63	N/A	N/A	24.70	N/A	N/A	25.20	N/A
		1	51	N/A	25.38	N/A	N/A	24.40	N/A	N/A	24.97	N/A
		25	12	N/A	25.54	N/A	N/A	24.55	N/A	N/A	25.19	N/A
	QPSK	50	0	N/A	25.40	N/A	N/A	24.43	N/A	N/A	25.04	N/A
		1	0	N/A	24.58	N/A	N/A	23.87	N/A	N/A	24.55	N/A
		1	1	N/A	25.27	N/A	N/A	24.27	N/A	N/A	25.31	N/A
		1	50	N/A	25.24	N/A	N/A	24.22	N/A	N/A	25.18	N/A
		1	51	N/A	24.46	N/A	N/A	23.42	N/A	N/A	24.44	N/A
	16QAM	25	12	N/A	25.19	N/A	N/A	24.13	N/A	N/A	25.25	N/A
		50	0	N/A	24.49	N/A	N/A	23.49	N/A	N/A	24.56	N/A
		1	0	N/A	23.46	N/A	N/A	22.52	N/A	N/A	23.56	N/A
		1	1	N/A	24.51	N/A	N/A	23.55	N/A	N/A	24.70	N/A
		1	50	N/A	24.56	N/A	N/A	23.51	N/A	N/A	24.60	N/A
	64QAM	1	51	N/A	23.54	N/A	N/A	22.57	N/A	N/A	23.48	N/A
		25	12	N/A	24.51	N/A	N/A	23.39	N/A	N/A	24.56	N/A
		50	0	N/A	23.45	N/A	N/A	22.53	N/A	N/A	23.60	N/A
		1	0	N/A	23.12	N/A	N/A	22.09	N/A	N/A	23.27	N/A
		1	1	N/A	23.13	N/A	N/A	22.05	N/A	N/A	23.24	N/A
	256QAM	1	50	N/A	23.02	N/A	N/A	21.92	N/A	N/A	23.06	N/A
		1	51	N/A	22.94	N/A	N/A	21.95	N/A	N/A	23.09	N/A
		25	12	N/A	22.87	N/A	N/A	21.98	N/A	N/A	23.05	N/A
		50	0	N/A	22.97	N/A	N/A	21.94	N/A	N/A	23.11	N/A
		1	0	N/A	21.24	N/A	N/A	19.88	N/A	N/A	21.26	N/A
256QAM	1	1	N/A	21.12	N/A	N/A	20.05	N/A	N/A	21.22	N/A	
	1	50	N/A	21.04	N/A	N/A	19.95	N/A	N/A	21.02	N/A	
	1	51	N/A	21.24	N/A	N/A	20.01	N/A	N/A	21.07	N/A	
	25	12	N/A	20.96	N/A	N/A	19.94	N/A	N/A	21.01	N/A	
	50	0	N/A	20.96	N/A	N/A	19.97	N/A	N/A	21.06	N/A	

### 8.8. LTE BAND 26 AND 5G NR n26 (Part 22)

#### LTE BAND 26

Test Engineer ID:	28567	Test Date:	4/23/2023
-------------------	-------	------------	-----------

#### OUTPUT POWER FOR LTE BAND 26 (1.4 MHz)

Bandwidth (MHz)	Modulation	RB Allocation	RB Offset	Conducted Average (dBm)								
				ANT 1			ANT 2			ANT 3		
				26797	26915	27033	26797	26915	27033	26797	26915	27033
1.4	QPSK	1	0	25.67	25.66	25.65	24.58	24.59	24.58	25.08	25.28	25.36
		1	2	25.67	25.69	25.66	24.68	<b>24.70</b>	24.61	25.30	25.39	<b>25.40</b>
		1	5	25.67	25.66	25.62	24.66	24.65	24.57	25.31	25.38	25.26
		3	0	<b>25.70</b>	25.66	25.61	24.68	24.65	24.58	25.32	25.29	25.35
		3	1	25.69	25.67	25.63	<b>24.70</b>	24.68	24.59	25.30	25.32	25.35
		3	2	25.69	25.65	25.64	<b>24.70</b>	<b>24.70</b>	24.59	25.30	25.36	25.33
	16QAM	6	0	24.55	24.54	24.50	23.66	23.65	23.57	24.26	24.27	24.29
		1	0	24.68	24.70	24.62	23.49	23.35	23.44	24.51	24.59	24.61
		1	2	24.64	24.72	24.66	23.50	<b>23.60</b>	23.42	24.64	24.53	24.70
		1	5	24.69	<b>24.74</b>	24.59	23.55	23.58	23.46	24.62	<b>24.72</b>	24.67
		3	0	24.65	24.63	24.59	23.40	23.38	23.34	24.48	24.45	24.49
		3	1	24.66	24.60	24.61	23.41	23.39	23.30	24.44	24.44	24.50
	64QAM	3	2	24.64	24.60	24.59	23.42	23.41	23.27	24.45	24.55	24.48
		6	0	23.50	23.48	23.46	22.29	22.29	22.17	23.34	23.32	23.34
		1	0	23.79	23.70	23.65	22.33	22.28	22.26	23.39	23.50	23.53
		1	2	<b>23.80</b>	23.68	23.71	22.54	<b>22.58</b>	22.44	23.52	<b>23.58</b>	23.47
		1	5	23.77	23.65	23.65	22.39	22.34	22.31	23.48	23.54	23.48
		3	0	23.62	23.60	23.65	22.33	22.36	22.23	23.28	23.45	23.37
	256QAM	3	1	23.61	23.59	23.65	22.35	22.36	22.27	23.46	23.48	23.46
		3	2	23.63	23.61	23.64	22.33	22.33	22.27	23.39	23.49	23.44
		6	0	22.59	22.52	22.55	21.26	21.31	21.24	22.29	22.38	22.26
		1	0	20.64	<b>20.66</b>	20.49	19.26	19.22	19.27	20.33	20.37	20.42
		1	2	20.63	20.63	20.59	<b>19.34</b>	19.32	19.18	20.38	<b>20.52</b>	20.47
		1	5	20.59	20.58	20.50	19.31	19.24	19.26	20.43	20.39	20.42
	256QAM	3	0	20.58	20.59	20.51	19.28	19.30	19.20	20.33	20.26	20.41
		3	1	20.60	20.61	20.51	19.27	19.25	19.21	20.35	20.30	20.40
		3	2	20.57	20.60	20.50	19.29	19.27	19.19	20.30	20.42	20.27
		6	0	20.52	20.34	20.30	19.23	19.14	19.14	20.42	20.30	20.26

#### OUTPUT POWER FOR LTE BAND 26 (3.0 MHz)

Bandwidth (MHz)	Modulation	RB Allocation	RB Offset	Conducted Average (dBm)								
				ANT 1			ANT 2			ANT 3		
				26805	26915	27025	26805	26915	27025	26805	26915	27025
3.0	QPSK	1	0	25.60	25.63	25.57	24.56	24.56	24.57	25.25	25.05	25.11
		1	7	<b>25.70</b>	25.67	25.67	<b>24.70</b>	24.67	24.63	<b>25.40</b>	25.11	25.19
		1	14	25.61	25.62	25.55	24.57	24.60	24.48	25.26	24.96	25.07
		8	0	24.97	24.89	24.95	23.66	23.59	23.57	24.35	24.01	24.16
		8	4	24.99	24.97	24.95	23.69	23.69	23.62	24.39	23.99	24.20
		8	7	25.01	24.96	24.96	23.68	23.68	23.59	24.36	24.07	24.17
	16QAM	15	0	24.54	24.54	24.50	23.68	23.64	23.57	24.32	23.96	24.13
		1	0	24.73	24.63	24.71	23.50	23.51	23.49	24.71	24.34	24.46
		1	7	<b>24.74</b>	24.67	24.71	23.58	<b>23.61</b>	23.50	<b>24.78</b>	24.40	24.53
		1	14	24.62	24.61	24.60	23.49	23.48	23.42	24.63	24.29	24.40
		8	0	23.59	23.51	23.54	22.32	22.26	22.20	23.48	23.05	23.22
		8	4	23.61	23.60	23.58	22.39	22.35	22.26	23.46	23.06	23.26
	64QAM	8	7	23.61	23.61	23.57	22.36	22.35	22.26	23.44	23.13	23.25
		15	0	23.55	23.54	23.52	22.28	22.29	22.19	23.40	22.99	23.20
		1	0	23.73	23.72	23.75	22.36	22.39	22.32	23.52	23.25	23.34
		1	7	<b>23.85</b>	23.76	23.75	22.37	<b>22.40</b>	<b>22.40</b>	<b>23.54</b>	23.44	23.44
		1	14	23.77	23.71	23.67	22.30	22.34	22.18	23.35	23.30	23.25
		8	0	22.57	22.48	22.48	21.29	21.21	21.22	22.43	22.13	22.21
	256QAM	8	4	22.63	22.61	22.55	21.37	21.37	21.23	22.45	22.15	22.24
		8	7	22.64	22.58	22.55	21.27	21.29	21.19	22.43	22.25	22.23
		15	0	22.56	22.56	22.51	21.28	21.24	21.16	22.41	22.11	22.16
		1	0	20.55	20.55	20.55	19.20	19.27	19.27	20.43	20.22	20.26
		1	7	20.65	<b>20.71</b>	20.61	19.35	<b>19.39</b>	19.35	<b>20.56</b>	20.39	20.33
		1	14	20.61	20.60	20.54	19.28	19.31	19.20	20.44	20.29	20.26
	256QAM	8	0	20.53	20.47	20.52	19.22	19.15	19.17	20.41	20.09	20.18
		8	4	20.57	20.59	20.55	19.29	19.31	19.19	20.43	20.13	20.21
		8	7	20.55	20.55	20.56	19.34	19.29	19.16	20.41	20.21	20.21
		15	0	20.53	20.53	20.50	19.28	19.24	19.16	20.37	20.10	20.16

**OUTPUT POWER FOR LTE BAND 26 (5.0 MHz)**

Bandwidth (MHz)	Modulation	RB Allocation	RB Offset	Conducted Average (dBm)								
				ANT 1			ANT 2			ANT 3		
				26815	26915	27015	26815	26915	27015	26815	26915	27015
5.0	QPSK	1	0	25.56	25.53	25.50	24.57	24.62	24.54	25.25	25.25	25.24
		1	12	25.66	<b>25.70</b>	25.65	<b>24.70</b>	24.68	24.61	25.35	<b>25.40</b>	25.35
		1	24	25.55	25.54	25.48	24.61	24.62	24.51	25.22	25.25	25.23
		12	0	24.81	24.81	24.74	23.59	23.59	23.54	24.19	24.21	24.20
		12	6	24.90	24.90	24.86	23.70	23.66	23.64	24.32	24.26	24.31
	16QAM	12	11	24.88	24.86	24.85	23.65	23.66	23.57	24.27	24.28	24.27
		25	0	24.45	24.46	24.33	23.68	23.66	23.52	24.28	24.21	24.20
		1	0	24.63	24.65	24.53	23.61	23.64	23.59	24.56	24.59	24.62
		1	12	24.73	<b>24.76</b>	24.70	<b>23.78</b>	23.74	23.69	<b>24.76</b>	24.72	24.63
		1	24	24.63	24.63	24.58	23.61	23.62	23.51	24.58	24.66	24.62
	64QAM	12	0	23.45	23.43	23.25	22.22	22.31	22.19	23.16	23.34	23.23
		12	6	23.56	23.52	23.35	22.34	22.37	22.24	23.25	23.36	23.37
		12	11	23.54	23.50	23.33	22.30	22.26	22.21	23.21	23.41	23.28
		25	0	23.48	23.49	23.35	22.26	22.25	22.11	23.25	23.24	23.19
		1	0	23.54	23.55	23.55	22.56	22.57	22.51	23.38	23.38	23.40
	256QAM	1	12	<b>23.65</b>	23.59	23.64	<b>22.67</b>	22.56	22.56	23.46	<b>23.49</b>	23.42
		1	24	23.51	23.55	23.47	22.49	22.50	22.51	23.31	23.39	23.37
		12	0	22.39	22.38	22.38	21.14	21.10	21.18	22.19	22.21	22.24
		12	6	22.50	22.53	22.48	21.28	21.31	21.27	22.29	22.25	22.33
		12	11	22.45	22.47	22.42	21.34	21.33	21.18	22.28	22.31	22.29
	256QAM	25	0	22.45	22.47	22.37	21.25	21.23	21.08	22.25	22.25	22.18
		1	0	20.46	20.43	20.38	19.38	19.24	19.26	20.25	20.33	20.35
		1	12	<b>20.58</b>	<b>20.58</b>	20.53	19.40	<b>19.46</b>	19.36	20.39	<b>20.44</b>	20.35
		1	24	20.51	20.50	20.49	19.33	19.31	19.26	20.34	20.42	20.35
		12	0	20.35	20.36	20.35	19.19	19.16	19.10	20.19	20.18	20.21
256QAM	12	6	20.50	20.49	20.46	19.29	19.28	19.23	20.31	20.24	20.32	
	12	11	20.46	20.43	20.43	19.26	19.27	19.18	20.29	20.29	20.27	
	25	0	20.42	20.43	20.34	19.26	19.23	19.11	20.27	20.20	20.21	

**OUTPUT POWER FOR LTE BAND 26 (10.0 MHz)**

Bandwidth (MHz)	Modulation	RB Allocation	RB Offset	Conducted Average (dBm)								
				ANT 1			ANT 2			ANT 3		
				26840	26915	26990	26840	26915	26990	26840	26915	26990
10.0	QPSK	1	0	25.60	25.63	25.57	24.56	24.56	24.57	25.25	25.05	25.11
		1	24	<b>25.70</b>	25.67	25.67	<b>24.70</b>	24.67	24.63	<b>25.40</b>	25.11	25.19
		1	49	25.61	25.62	25.55	24.57	24.60	24.48	25.26	24.96	25.07
		25	0	24.97	24.89	24.95	23.66	23.59	23.57	24.35	24.01	24.16
		25	12	24.99	24.97	24.95	23.69	23.69	23.62	24.39	23.99	24.20
	16QAM	25	24	25.01	24.96	24.96	23.68	23.68	23.59	24.36	24.07	24.17
		50	0	24.54	24.54	24.50	23.68	23.64	23.57	24.32	23.96	24.13
		1	0	24.73	24.63	24.71	23.50	23.51	23.49	24.71	24.34	24.46
		1	24	<b>24.74</b>	24.67	24.71	23.58	<b>23.61</b>	23.50	<b>24.78</b>	24.40	24.53
		1	49	24.62	24.61	24.60	23.49	23.48	23.42	24.63	24.29	24.40
	64QAM	25	0	23.59	23.51	23.54	22.32	22.26	22.20	23.48	23.05	23.22
		25	12	23.61	23.60	23.58	22.39	22.35	22.26	23.46	23.06	23.26
		25	24	23.61	23.61	23.57	22.36	22.35	22.26	23.44	23.13	23.25
		50	0	23.55	23.54	23.52	22.28	22.29	22.19	23.40	22.99	23.20
		1	0	23.73	23.72	23.75	22.36	22.39	22.32	23.52	23.25	23.34
	256QAM	1	24	<b>23.85</b>	23.76	23.75	22.37	<b>22.40</b>	<b>22.40</b>	<b>23.54</b>	23.44	23.44
		1	49	23.77	23.71	23.67	22.30	22.34	22.18	23.35	23.30	23.25
		25	0	22.57	22.48	22.48	21.29	21.21	21.22	22.43	22.13	22.21
		25	12	22.63	22.61	22.55	21.37	21.37	21.23	22.45	22.15	22.24
		25	24	22.64	22.58	22.55	21.27	21.29	21.19	22.43	22.25	22.23
	256QAM	50	0	22.56	22.56	22.51	21.28	21.24	21.16	22.41	22.11	22.16
		1	0	20.55	20.55	20.55	19.20	19.27	19.27	20.43	20.22	20.26
		1	24	20.65	<b>20.71</b>	20.61	19.35	<b>19.39</b>	19.35	<b>20.56</b>	20.39	20.33
		1	49	20.61	20.60	20.54	19.28	19.31	19.20	20.44	20.29	20.26
		25	0	20.53	20.47	20.52	19.22	19.15	19.17	20.41	20.09	20.18
256QAM	25	12	20.57	20.59	20.55	19.29	19.31	19.19	20.43	20.13	20.21	
	25	24	20.55	20.55	20.56	19.34	19.29	19.16	20.41	20.21	20.21	
	50	0	20.53	20.53	20.50	19.28	19.24	19.16	20.37	20.10	20.16	

**5G NR n26**

<b>Test Engineer ID:</b>	19210	<b>Test Date:</b>	5/5/2023
--------------------------	-------	-------------------	----------

**OUTPUT POWER FOR 5G NR n26 (5.0 MHz)**

Bandwidth (MHz)	Modulation	RB Allocation	RB Offset	Conducted Average (dBm)								
				ANT 1			ANT 2			ANT 3		
				165300	167300	169300	165300	167300	169300	165300	167300	169300
5.0	BPSK	1	0	24.20	<b>25.70</b>	<b>25.70</b>	23.20	24.67	24.68	<b>25.40</b>	<b>25.40</b>	<b>25.40</b>
		1	1	<b>25.70</b>	25.54	<b>25.70</b>	<b>24.70</b>	24.54	<b>24.70</b>	<b>25.40</b>	<b>25.40</b>	25.23
		1	23	25.61	25.58	25.60	24.67	24.58	24.62	25.35	25.22	25.24
		1	24	24.20	25.68	25.66	23.06	<b>24.70</b>	<b>24.70</b>	25.30	25.30	25.38
		12	6	25.64	25.64	25.66	24.67	<b>24.70</b>	24.69	<b>25.40</b>	25.34	25.29
		25	0	25.40	25.38	25.41	24.41	24.41	24.33	25.17	25.13	25.10
	QPSK	1	0	23.76	25.27	25.14	22.58	24.22	24.14	24.92	24.84	25.03
		1	1	<b>25.70</b>	25.68	<b>25.70</b>	24.59	24.62	24.63	25.35	25.36	<b>25.40</b>
		1	23	25.68	<b>25.70</b>	25.60	24.61	<b>24.70</b>	24.57	25.31	25.32	25.28
		1	24	23.68	25.29	25.00	22.53	24.23	24.08	24.85	24.96	24.85
		12	6	<b>25.70</b>	<b>25.70</b>	<b>25.70</b>	<b>24.70</b>	24.68	<b>24.70</b>	25.36	<b>25.40</b>	<b>25.40</b>
		25	0	24.95	24.94	24.95	23.98	24.00	23.96	24.62	24.72	24.65
	16QAM	1	0	23.18	23.89	23.88	21.34	23.35	23.20	24.20	23.86	23.96
		1	1	<b>25.34</b>	24.48	24.67	23.71	24.10	23.99	<b>24.98</b>	24.69	24.60
		1	23	25.24	24.59	24.67	23.70	<b>24.12</b>	23.92	24.93	24.58	24.55
		1	24	23.04	23.90	23.89	21.33	23.40	23.13	24.09	23.86	23.90
		12	6	25.04	24.93	25.05	23.97	23.96	23.92	24.70	24.63	24.55
		25	0	23.92	23.80	23.91	23.01	22.98	22.95	23.66	23.66	23.65
	64QAM	1	0	21.99	23.36	<b>23.58</b>	21.38	<b>22.69</b>	22.59	23.43	23.44	23.21
		1	1	23.44	23.06	23.39	22.61	22.41	22.35	23.27	23.26	22.98
		1	23	23.36	23.05	23.28	22.59	22.41	22.30	23.14	23.25	22.99
		1	24	22.19	23.37	23.57	21.25	22.65	22.53	<b>23.47</b>	<b>23.47</b>	23.33
		12	6	23.39	23.33	23.39	22.33	22.48	22.34	23.28	23.17	23.29
		25	0	23.40	23.40	23.39	22.50	22.48	22.45	23.17	23.15	23.17
	256QAM	1	0	20.30	21.63	<b>21.77</b>	18.85	20.33	20.35	21.54	21.32	<b>21.55</b>
		1	1	21.60	21.20	21.59	20.20	19.98	20.09	21.21	21.01	21.24
		1	23	21.53	21.27	21.37	19.96	20.09	20.00	21.32	21.13	21.13
		1	24	20.26	21.56	21.69	18.82	20.36	20.31	21.49	21.27	21.47
		12	6	21.49	21.48	21.44	20.41	<b>20.44</b>	20.39	21.36	21.27	21.24
		25	0	21.50	21.44	21.46	20.38	20.41	20.39	21.21	21.11	21.18

**OUTPUT POWER FOR 5G NR n26 (10.0 MHz)**

Bandwidth (MHz)	Modulation	RB Allocation	RB Offset	Conducted Average (dBm)								
				ANT 1			ANT 2			ANT 3		
				165800	167300	168800	165800	167300	168800	165800	167300	168800
10.0	BPSK	1	0	25.36	25.43	25.43	24.37	24.39	24.40	25.07	25.04	25.02
		1	1	25.61	<b>25.70</b>	25.61	24.64	<b>24.70</b>	24.66	<b>25.40</b>	25.30	25.23
		1	50	25.51	25.63	25.50	24.60	24.65	24.51	25.25	25.26	25.14
		1	51	25.37	25.38	25.27	24.27	24.38	24.33	25.04	25.03	24.93
		25	12	25.51	25.55	25.49	24.49	24.53	24.54	25.22	25.17	25.14
		50	0	25.37	25.43	25.39	24.39	24.38	24.38	25.02	24.99	24.99
	QPSK	1	0	24.53	24.63	24.52	23.92	23.94	23.87	24.63	24.52	24.56
		1	1	25.26	25.23	<b>25.27</b>	24.23	<b>24.27</b>	24.24	<b>25.38</b>	25.22	25.22
		1	50	25.25	25.24	24.94	24.25	24.25	24.18	25.34	25.19	25.13
		1	51	24.49	24.54	23.97	23.44	23.43	23.34	24.58	24.48	24.18
		25	12	25.12	25.20	25.18	24.14	24.13	24.11	25.25	25.20	25.15
		50	0	24.48	24.47	24.51	23.43	23.46	23.47	24.54	24.47	24.51
	16QAM	1	0	23.28	23.58	23.69	22.36	22.57	22.73	23.65	23.31	23.34
		1	1	24.29	24.55	<b>24.65</b>	23.42	<b>23.78</b>	23.68	<b>24.62</b>	24.34	24.36
		1	50	24.23	24.54	24.42	23.24	23.64	23.55	24.61	24.32	24.17
		1	51	23.26	23.60	23.55	22.26	22.67	22.58	23.66	23.44	23.18
		25	12	24.42	24.43	24.37	23.40	23.37	23.40	24.58	24.45	24.47
		50	0	23.42	23.41	23.48	22.40	22.50	22.47	23.53	23.49	23.46
	64QAM	1	0	22.89	22.95	22.81	21.85	21.95	21.97	<b>23.38</b>	23.00	23.10
		1	1	22.96	<b>23.17</b>	22.75	21.92	<b>22.17</b>	21.98	23.21	23.18	23.13
		1	50	22.98	22.95	22.77	21.79	21.92	21.85	23.26	23.04	23.00
		1	51	22.85	23.08	22.79	21.84	21.94	21.85	23.16	23.06	22.88
		25	12	22.90	22.92	22.88	21.95	21.93	21.93	23.00	22.97	22.98
		50	0	23.01	22.96	22.92	21.94	21.99	21.96	22.99	23.02	23.01
	256QAM	1	0	20.95	21.08	20.74	19.66	19.47	19.59	<b>21.22</b>	21.06	21.01
		1	1	21.06	21.27	20.85	19.58	19.51	19.67	21.12	21.13	20.92
		1	50	20.85	<b>21.28</b>	20.74	19.64	19.58	19.67	21.05	21.04	20.90
		1	51	20.90	<b>21.28</b>	20.64	19.65	19.85	19.49	21.17	20.97	20.90
		25	12	21.00	20.96	20.94	19.88	19.82	19.86	21.04	20.91	20.85
		50	0	21.00	21.00	20.97	19.85	19.89	<b>19.96</b>	21.05	20.96	21.00

**OUTPUT POWER FOR 5G NR n26 (15.0 MHz)**

Bandwidth (MHz)	Modulation	RB Allocation	RB Offset	Conducted Average (dBm)								
				ANT 1			ANT 2			ANT 3		
				163300	167300	168300	163300	167300	168300	163300	167300	168300
15.0	BPSK	1	0	831.5	836.5	841.5	831.5	836.5	841.5	831.5	836.5	841.5
		1	1	24.31	25.18	25.39	24.52	24.55	24.46	24.19	25.10	25.11
		1	77	24.82	25.53	25.48	24.69	24.70	24.61	24.75	25.28	25.19
		1	77	25.70	25.37	25.39	24.69	24.56	24.49	25.40	25.15	25.09
		1	78	25.46	25.15	25.17	24.40	24.42	24.37	25.14	24.94	24.91
		36	18	25.56	25.35	25.41	24.57	24.48	24.56	25.23	25.10	25.12
	QPSK	75	0	25.40	25.18	25.31	24.45	24.32	24.39	25.20	24.91	25.00
		1	0	22.14	24.43	24.54	24.07	23.94	23.99	23.16	24.62	24.62
		1	1	23.28	25.04	25.08	24.23	24.24	24.20	24.04	25.29	25.23
		1	77	25.22	24.97	24.96	24.22	24.14	24.14	25.40	25.19	25.11
		1	78	24.51	24.23	24.06	23.45	23.47	23.32	24.64	24.47	24.33
		36	18	25.20	24.96	25.06	24.12	24.12	24.08	25.26	25.17	25.17
	16QAM	75	0	24.35	24.29	24.42	23.47	23.42	23.45	24.80	24.48	24.55
		1	0	21.31	23.35	23.71	22.58	22.85	22.62	22.11	23.28	23.83
		1	1	22.54	24.24	24.56	23.53	23.74	23.48	22.99	24.28	24.67
		1	77	24.66	24.15	24.40	23.45	23.63	23.40	24.74	24.03	24.67
		1	78	23.50	23.33	23.35	22.39	22.67	22.48	23.82	23.10	23.67
		36	18	24.51	24.29	24.26	23.56	23.45	23.43	24.67	24.46	24.55
	64QAM	75	0	23.31	23.25	23.36	22.53	22.46	22.43	23.56	23.47	23.48
		1	0	20.74	22.78	22.83	22.41	21.98	22.08	21.42	23.21	23.15
		1	1	20.94	22.77	22.87	22.14	21.94	22.01	21.39	23.23	22.90
		1	77	23.05	22.43	22.58	22.21	21.91	21.94	23.16	23.01	22.97
		1	78	22.83	22.62	22.39	22.07	21.72	21.90	23.20	23.03	22.98
		36	18	23.01	22.81	22.81	22.07	21.93	21.94	23.18	23.00	23.03
	256QAM	75	0	22.93	22.76	22.84	22.05	21.94	21.92	23.11	22.92	22.95
		1	0	19.27	21.06	20.74	19.67	19.65	19.74	19.91	21.11	21.24
		1	1	19.54	21.10	20.61	19.56	19.68	19.60	19.83	21.24	21.11
		1	77	21.04	20.99	20.71	19.63	19.50	19.62	21.17	21.18	21.15
		1	78	20.99	20.88	20.48	19.62	19.67	19.63	21.14	21.18	21.27
		36	18	20.91	20.85	20.71	20.03	19.91	19.91	21.12	21.02	21.00
	75	0	21.02	20.84	20.88	19.96	19.86	19.85	21.19	20.98	20.98	

**OUTPUT POWER FOR 5G NR n26 (20.0 MHz)**

Bandwidth (MHz)	Modulation	RB Allocation	RB Offset	Conducted Average (dBm)								
				ANT 1			ANT 2			ANT 3		
				162800	167300	167800	162800	167300	167800	162800	167300	167800
20.0	BPSK	1	0	834	836.5	839.0	834	836.5	839.0	834	836.5	839.0
		1	0	25.51	25.24	25.30	24.54	24.41	24.49	25.11	25.14	25.20
		1	1	25.70	25.47	25.39	24.70	24.68	24.62	25.30	25.40	25.32
		1	104	25.53	25.25	25.28	24.62	24.48	24.43	25.21	25.14	25.18
		1	105	25.28	25.10	25.06	24.42	24.37	24.20	25.00	24.97	25.03
		50	25	25.56	25.36	25.27	24.59	24.52	24.51	25.26	25.21	25.12
	QPSK	100	0	25.35	25.19	25.12	24.40	24.31	24.27	25.11	25.02	25.00
		1	0	24.45	24.40	24.32	23.96	23.92	23.92	24.77	24.65	24.61
		1	1	25.27	25.10	25.04	24.12	24.22	24.14	25.39	25.37	25.34
		1	104	25.13	24.94	24.78	24.07	24.14	23.99	25.36	25.16	25.13
		1	105	24.32	24.19	24.20	23.38	23.28	23.34	24.52	24.50	24.43
		50	25	25.10	24.87	24.91	24.16	24.11	24.04	25.36	25.24	25.16
	16QAM	100	0	24.41	24.21	24.21	23.42	23.43	23.35	24.61	24.56	24.46
		1	0	23.60	23.51	23.24	22.57	22.34	22.69	23.90	23.52	23.73
		1	1	24.45	24.42	24.37	23.55	23.28	23.61	24.60	24.57	24.73
		1	104	24.23	24.09	24.12	23.42	23.30	23.55	24.70	24.35	24.44
		1	105	23.33	23.14	23.05	22.37	22.20	22.43	23.56	23.42	23.53
		50	25	24.42	24.18	24.17	23.42	23.39	23.33	24.59	24.51	24.39
	64QAM	100	0	23.44	23.24	23.18	22.45	22.43	22.36	23.61	23.56	23.45
		1	0	22.96	22.60	22.87	22.27	22.06	22.30	23.25	23.28	23.31
		1	1	23.14	22.72	22.75	22.20	22.12	22.15	23.34	23.22	23.45
		1	104	22.94	22.49	22.61	21.98	22.04	21.94	23.03	23.17	23.20
		1	105	22.86	22.33	22.59	22.16	22.02	21.86	23.16	23.04	23.18
		50	25	22.93	22.68	22.66	21.95	21.93	21.82	23.13	23.15	22.99
	256QAM	100	0	22.96	22.70	22.69	21.96	21.96	21.91	23.11	23.12	23.05
		1	0	21.10	20.62	20.59	19.84	19.95	19.74	21.20	21.25	21.13
		1	1	21.22	20.84	20.33	19.72	19.80	19.60	21.31	21.24	21.05
		1	104	20.99	20.64	20.66	19.52	19.57	19.49	21.17	21.11	21.01
		1	105	21.02	20.58	20.60	19.59	19.76	19.56	21.14	21.10	20.89
		50	25	20.98	20.69	20.73	19.83	19.78	19.78	21.08	21.06	20.99
	100	0	21.01	20.73	20.66	19.87	19.89	19.82	21.01	21.05	21.01	

### 8.9. LTE BAND 30 AND 5G NR n30

#### LTE BAND 30

Test Engineer ID:	28498	Test Date:	3/31/2023
-------------------	-------	------------	-----------

#### OUTPUT POWER FOR LTE BAND 30 (5.0 MHz)

Bandwidth (MHz)	Modulation	RB Allocation	RB Offset	Conducted Average (dBm)											
				ANT 1			ANT 2			ANT 3			ANT 4		
				27685	27710	27735	27685	27710	27735	27685	27710	27735	27685	27710	27735
5.0	QPSK	1	0	25.44	25.53	25.60	23.52	23.55	23.62	24.86	24.89	24.87	22.58	22.54	22.56
		1	12	25.51	25.66	<b>25.70</b>	23.62	23.64	<b>23.70</b>	<b>25.00</b>	24.95	<b>25.00</b>	22.67	22.60	<b>22.70</b>
		1	24	25.42	25.51	25.52	23.54	23.56	23.57	24.83	24.83	24.84	22.62	22.52	22.54
		12	0	24.76	24.89	24.93	22.53	22.63	22.64	23.89	23.88	23.86	21.62	21.54	21.51
		12	6	24.78	24.91	24.95	22.61	22.68	22.68	23.95	23.91	23.96	21.60	21.57	21.61
		12	11	24.78	24.92	24.94	22.59	22.64	22.64	23.90	23.88	23.94	21.58	21.56	21.58
	16QAM	25	0	24.31	24.47	24.47	22.61	22.61	22.61	23.94	23.89	23.93	21.43	21.42	21.45
		1	0	24.66	24.62	24.68	22.28	22.34	22.41	24.23	24.20	24.24	21.78	21.77	21.79
		1	12	<b>24.75</b>	24.73	<b>24.75</b>	22.43	22.44	<b>22.49</b>	24.28	24.38	<b>24.39</b>	21.87	<b>21.89</b>	21.88
		1	24	24.71	24.58	24.63	22.32	22.34	22.39	24.27	24.23	24.27	21.79	21.74	21.80
		12	0	23.48	23.56	23.59	21.08	21.24	21.16	22.97	22.99	22.89	20.51	20.46	20.44
		12	6	23.50	23.58	23.61	21.14	21.29	21.22	23.00	23.04	22.98	20.54	20.49	20.54
	64QAM	12	11	23.47	23.55	23.58	21.10	21.27	21.17	22.97	23.01	22.96	20.49	20.46	20.51
		25	0	23.34	23.48	23.46	21.18	21.19	21.22	22.92	22.91	22.96	20.48	20.43	20.46
		1	0	23.46	23.55	23.81	21.26	21.26	21.25	23.20	23.14	23.21	20.74	<b>20.82</b>	20.78
		1	12	23.54	23.67	<b>23.83</b>	<b>21.34</b>	21.30	21.33	23.25	23.21	<b>23.31</b>	20.79	<b>20.82</b>	20.76
		1	24	23.44	23.56	23.75	21.27	21.24	21.22	23.16	23.21	23.22	20.80	20.73	20.74
		12	0	22.21	22.41	22.61	20.16	20.20	20.24	21.86	22.01	21.88	19.55	19.53	19.41
	256QAM	12	6	22.24	22.48	22.62	20.21	20.24	20.26	21.91	22.03	21.99	19.57	19.55	19.53
		12	11	22.19	22.44	22.59	20.21	20.22	20.23	21.87	21.99	21.99	19.55	19.54	19.48
		25	0	22.17	22.42	22.48	20.19	20.20	20.22	21.94	21.91	21.95	19.46	19.44	19.49
		1	0	20.17	20.36	20.67	18.30	18.15	<b>18.38</b>	19.88	19.90	19.97	17.40	17.54	17.47
		1	12	20.30	20.50	<b>20.70</b>	<b>18.38</b>	18.31	18.35	20.05	20.03	<b>20.10</b>	17.57	<b>17.69</b>	17.59
		1	24	20.22	20.31	20.51	18.26	18.16	18.26	19.97	19.98	20.00	17.54	17.60	17.49

#### OUTPUT POWER FOR LTE BAND 30 (10.0 MHz)

Bandwidth (MHz)	Modulation	RB Allocation	RB Offset	Conducted Average (dBm)											
				ANT 1			ANT 2			ANT 3			ANT 4		
				N/A	27710	N/A	N/A	27710	N/A	N/A	27710	N/A	N/A	27710	N/A
10.0	QPSK	1	0		<b>25.70</b>			23.58			<b>25.00</b>			22.66	
		1	24		<b>25.70</b>			23.68			24.96			<b>22.70</b>	
		1	49		25.62			<b>23.70</b>			24.91			22.61	
		25	0		25.02			22.65			23.92			21.68	
		25	12		25.09			22.71			24.00			21.69	
		25	24		25.00			22.67			23.96			21.65	
	16QAM	50	0		24.58			22.57			23.96			21.52	
		1	0		<b>24.73</b>			<b>22.42</b>			<b>24.31</b>			<b>21.91</b>	
		1	24		24.67			22.40			<b>24.31</b>			21.83	
		1	49		24.63			22.35			24.29			21.79	
		25	0		23.60			21.19			22.96			20.58	
		25	12		23.60			21.31			23.01			20.58	
	64QAM	25	24		23.59			21.26			23.00			20.55	
		50	0		23.57			21.18			23.01			20.55	
		1	0		23.85			21.46			23.28			<b>20.84</b>	
		1	24		<b>23.87</b>			<b>21.47</b>			23.29			<b>20.84</b>	
		1	49		23.76			21.30			<b>23.30</b>			20.72	
		25	0		22.56			20.17			21.95			19.56	
	256QAM	25	12		22.60			20.29			22.04			19.58	
		25	24		22.55			20.27			22.03			19.55	
		50	0		22.57			20.18			22.01			19.55	
		1	0		20.46			18.21			20.04			17.54	
		1	24		<b>20.64</b>			<b>18.35</b>			<b>20.14</b>			<b>17.64</b>	
		1	49		20.50			18.22			20.02			17.53	



**5G NR n30**

<b>Test Engineer ID:</b>	28567	<b>Test Date:</b>	4/17/2023
--------------------------	-------	-------------------	-----------

**OUTPUT POWER FOR 5G NR n30 (5.0 MHz)**

Bandwidth (MHz)	Modulation	RB Allocation	RB Offset	Conducted Average (dBm)											
				ANT 1			ANT 2			ANT 3			ANT 4		
				461500	462000	462500	461500	462000	462500	461500	462000	462500	461500	462000	462500
5.0	BPSK	1	0	20.66	20.70	20.70	18.36	18.46	18.40	20.00	20.00	20.00	17.61	17.70	17.70
		1	1	20.70	20.67	20.60	17.92	18.40	18.57	19.94	20.00	19.93	17.60	17.62	17.52
		1	23	20.69	20.68	20.51	18.23	18.64	18.67	19.88	19.89	20.00	17.55	17.55	17.41
		1	24	20.70	20.62	20.62	18.70	18.70	18.70	19.90	19.86	20.00	17.70	17.52	17.58
		12	6	<b>25.20</b>	25.06	25.06	22.80	<b>23.20</b>	22.97	24.44	<b>24.50</b>	24.49	22.12	<b>22.20</b>	22.15
		25	0	24.93	24.82	24.97	22.47	22.95	22.72	23.90	23.99	24.05	21.51	21.56	21.54
	QPSK	1	0	20.15	20.12	20.29	18.20	17.93	17.89	19.55	19.53	19.30	17.15	17.13	17.27
		1	1	20.62	20.70	20.70	18.41	18.39	18.47	20.00	20.00	19.91	17.64	17.70	17.70
		1	23	20.63	20.68	20.59	18.70	18.70	18.70	19.85	19.94	19.92	17.70	17.60	17.51
		1	24	20.09	20.18	20.36	18.62	18.20	18.28	19.36	19.48	19.38	17.18	17.07	17.05
		12	6	24.20	24.20	24.20	22.19	22.20	22.20	23.50	<b>24.43</b>	23.50	22.10	<b>22.17</b>	22.10
		25	0	24.47	24.40	<b>24.53</b>	22.47	<b>22.50</b>	22.42	23.50	23.57	23.55	21.07	21.11	21.08
	16QAM	1	0	19.15	19.27	19.33	17.37	16.97	17.35	18.73	18.47	18.36	16.54	16.24	16.01
		1	1	20.01	20.16	20.01	17.77	17.83	18.28	19.31	19.11	19.07	16.88	16.74	16.37
		1	23	19.91	20.11	19.91	18.05	18.01	18.44	19.16	18.99	19.00	16.90	16.71	16.21
		1	24	19.10	19.20	19.27	17.62	17.27	17.63	18.67	18.42	18.33	16.57	16.07	15.87
		12	6	24.36	24.39	<b>24.39</b>	22.42	<b>22.68</b>	22.43	<b>23.60</b>	<b>23.60</b>	23.55	<b>21.22</b>	21.12	21.15
		25	0	23.39	23.33	23.38	21.44	21.39	21.38	22.47	22.43	22.49	20.01	20.03	20.06
	64QAM	1	0	18.74	18.83	18.93	16.79	16.53	16.48	18.12	18.11	17.79	15.59	15.55	15.59
		1	1	18.61	18.85	18.74	16.24	16.20	16.31	17.72	17.64	17.52	15.00	15.07	14.96
		1	23	18.49	18.65	18.50	16.45	16.49	16.53	17.58	17.70	17.49	15.06	15.06	14.93
		1	24	18.87	18.85	18.87	17.05	16.78	16.63	18.14	18.07	17.85	15.65	15.53	15.59
		12	6	<b>23.14</b>	23.02	22.97	20.97	20.90	20.86	22.10	<b>22.11</b>	21.89	<b>19.68</b>	19.62	19.52
		25	0	23.07	22.91	22.90	20.93	<b>21.03</b>	20.87	21.99	22.07	22.03	19.63	19.66	19.60
	256QAM	1	0	16.82	16.48	16.63	14.96	14.39	14.62	15.98	16.04	15.95	13.61	13.94	13.83
		1	1	16.61	16.38	16.45	14.31	14.01	14.37	15.60	15.73	15.62	13.09	13.54	13.16
		1	23	16.51	16.37	16.37	14.69	14.40	14.67	15.44	15.58	15.56	12.99	13.38	13.01
		1	24	16.74	16.55	16.74	15.31	14.62	14.83	16.02	16.10	15.96	13.65	13.91	13.68
		12	6	<b>21.06</b>	21.00	21.05	18.97	<b>19.10</b>	18.87	20.07	<b>20.14</b>	20.03	17.72	17.72	17.68
		25	0	20.96	20.86	20.96	19.05	19.05	18.83	20.12	20.11	20.04	<b>17.73</b>	17.66	17.64

**OUTPUT POWER FOR 5G NR n30 (10.0 MHz)**

Bandwidth (MHz)	Modulation	RB Allocation	RB Offset	Conducted Average (dBm)											
				ANT 1			ANT 2			ANT 3			ANT 4		
				N/A	462000	N/A	N/A	462000	N/A	N/A	462000	N/A	N/A	462000	N/A
10.0	BPSK	1	0					18.29			20.00			17.70	
		1	1					18.16			19.99			17.60	
		1	50					18.70			19.88			17.51	
		1	51					18.70			<b>24.50</b>			17.50	
		25	12					<b>25.20</b>			24.46			<b>22.19</b>	
		50	0					25.02			23.04			21.71	
	QPSK	1	0					20.30			17.66			17.19	
		1	1					20.64			18.08			17.70	
		1	50					20.62			18.57			17.50	
		1	51					20.07			18.07			17.02	
		25	12					<b>24.97</b>			<b>23.17</b>			<b>22.20</b>	
		50	0					24.31			22.57			21.12	
	16QAM	1	0					19.12			16.61			15.98	
		1	1					19.89			17.40			16.42	
		1	50					19.77			17.86			16.36	
		1	51					19.00			17.04			15.99	
		25	12					<b>24.28</b>			<b>22.48</b>			<b>21.12</b>	
		50	0					23.26			21.56			20.10	
	64QAM	1	0					18.68			16.12			15.48	
		1	1					18.60			15.89			14.96	
		1	50					18.50			16.30			14.89	
		1	51					18.72			16.52			15.43	
		25	12					<b>22.84</b>			21.18			<b>19.66</b>	
		50	0					22.80			<b>21.19</b>			19.59	
	256QAM	1	0					16.60			14.10			13.60	
		1	1					16.37			13.91			13.08	
		1	50					16.19			14.38			12.93	
		1	51					16.54			14.67			13.44	
		25	12					<b>20.73</b>			19.18			<b>17.78</b>	
		50	0					20.72			<b>19.20</b>			17.66	

### 8.10. LTE BAND 41 AND 5G NR n41

#### LTE BAND 41

Test Engineer ID:	19210	Test Date:	4/3/2023
-------------------	-------	------------	----------

#### OUTPUT POWER FOR LTE BAND 41 (5.0 MHz)

Bandwidth (MHz)	Modulation	RB Allocation	RB Offset	Conducted Average (dBm)												
				ANT 1			ANT 2			ANT 3			ANT 4			
				39675	40620	41565	39675	40620	41565	39675	40620	41565	39675	40620	41565	
5.0	QPSK	1	0	27.70	28.11	27.51	25.20	28.61	27.99	23.82	27.89	26.98	23.08	27.65	26.20	
		1	12	27.67	<b>28.70</b>	27.70	28.00	<b>28.70</b>	28.00	25.94	<b>28.00</b>	27.00	26.27	<b>27.70</b>	26.30	
		1	24	27.42	28.10	27.57	27.93	28.66	27.68	26.20	27.96	26.94	26.30	27.62	26.17	
		12	0	26.65	28.23	26.65	24.29	28.66	27.51	23.07	27.27	25.97	22.18	26.66	25.26	
		12	6	26.58	<b>28.70</b>	26.65	24.31	28.69	27.52	23.25	27.29	26.02	22.24	26.77	25.35	
		12	11	26.51	28.22	26.69	27.23	28.69	27.49	25.29	27.30	26.11	25.32	26.71	25.24	
	16QAM	25	0	26.14	27.80	26.22	24.25	28.68	27.49	23.16	27.33	26.00	22.12	26.57	25.12	
		1	0	26.61	28.05	26.48	24.27	28.65	27.57	23.29	27.63	26.44	22.40	27.00	25.49	
		1	12	26.52	<b>28.27</b>	26.65	27.44	28.56	27.63	25.74	27.77	26.53	25.65	<b>27.06</b>	25.58	
		1	24	26.32	27.91	26.55	27.32	<b>28.67</b>	27.59	25.80	<b>27.78</b>	26.52	25.65	26.91	25.57	
		12	0	25.26	26.83	25.19	22.90	27.23	26.10	22.09	26.31	25.20	21.00	25.58	24.19	
		12	6	25.16	26.84	25.29	22.90	27.29	26.09	22.27	26.40	25.05	21.14	25.70	24.25	
	64QAM	12	11	25.13	26.83	25.27	25.94	27.35	26.04	24.33	26.34	25.19	24.26	25.64	24.18	
		25	0	25.12	26.78	25.25	22.84	27.36	26.10	22.24	26.32	25.03	21.14	25.60	24.16	
		1	0	25.42	26.96	25.23	23.07	27.34	26.15	22.11	26.47	25.22	21.11	25.65	24.19	
		1	12	25.31	<b>26.98</b>	25.47	26.13	<b>27.52</b>	26.32	24.43	26.50	25.30	24.31	<b>25.81</b>	24.34	
		1	24	25.12	26.89	25.26	25.96	27.49	26.32	24.61	<b>26.54</b>	25.22	24.37	25.71	24.18	
		12	0	24.23	25.82	24.19	21.86	26.26	25.07	21.08	25.33	24.06	20.06	24.60	23.15	
	256QAM	12	6	24.19	25.86	24.28	21.88	26.31	25.10	21.27	25.37	24.08	20.14	24.65	23.18	
		12	11	24.09	25.82	24.28	24.88	26.28	25.09	23.31	25.39	24.13	23.21	24.60	23.18	
		25	0	24.12	25.83	24.23	21.86	26.30	25.06	21.20	25.36	24.02	20.15	24.62	23.17	
		1	0	22.38	<b>23.95</b>	22.29	19.83	24.25	23.04	18.93	23.38	22.08	18.04	22.67	21.22	
		1	12	22.09	<b>23.95</b>	22.37	22.96	<b>24.39</b>	23.18	21.34	<b>23.50</b>	22.22	21.09	<b>22.71</b>	21.29	
		1	24	21.98	23.77	22.32	22.92	24.20	22.96	21.47	23.36	22.11	21.15	22.68	21.18	
	5.0	256QAM	12	0	22.08	23.83	22.23	19.87	24.20	23.02	19.12	23.34	22.06	18.08	22.63	21.14
			12	6	22.04	23.84	22.30	19.92	24.32	23.13	19.26	23.40	22.08	18.17	22.65	21.21
			12	11	21.95	23.84	22.25	22.86	24.26	23.08	21.33	23.40	22.14	21.19	22.62	21.15
			25	0	21.96	23.80	22.23	19.84	24.26	23.06	19.21	23.40	22.02	19.55	22.60	21.13

#### OUTPUT POWER FOR LTE BAND 41 (10.0 MHz)

Bandwidth (MHz)	Modulation	RB Allocation	RB Offset	Conducted Average (dBm)												
				ANT 1			ANT 2			ANT 3			ANT 4			
				39700	40620	41540	39700	40620	41540	39700	40620	41540	39700	40620	41540	
10.0	QPSK	1	0	27.70	28.30	27.57	23.26	28.27	27.93	22.84	27.93	26.93	21.10	27.67	26.23	
		1	24	27.38	28.37	27.70	28.00	28.32	28.00	26.20	<b>28.00</b>	27.00	26.30	<b>27.70</b>	26.30	
		1	49	27.18	28.23	27.68	27.94	28.28	27.91	26.03	27.99	26.96	26.30	27.64	26.22	
		25	0	26.63	28.41	26.70	24.32	<b>28.70</b>	27.28	23.20	27.30	26.04	22.26	26.79	25.30	
		25	12	26.42	<b>28.70</b>	26.76	27.31	28.37	27.36	25.41	27.35	26.12	25.34	26.83	25.32	
		25	24	26.30	28.38	26.79	26.26	28.35	27.31	24.45	27.35	26.10	24.34	26.80	25.34	
	16QAM	50	0	25.98	27.98	26.30	24.31	28.37	27.31	23.31	27.32	26.07	22.14	26.68	25.20	
		1	0	26.70	28.21	26.54	22.12	28.23	27.14	22.27	27.59	26.33	20.32	26.96	25.47	
		1	24	26.36	<b>28.27</b>	26.61	27.23	<b>28.27</b>	27.26	25.74	<b>27.66</b>	26.40	25.62	<b>27.00</b>	25.47	
		1	49	26.12	28.12	26.63	27.17	28.19	27.19	25.75	<b>27.66</b>	26.37	25.55	26.90	25.42	
		25	0	25.23	26.98	25.28	22.88	26.93	25.88	22.22	26.33	25.04	21.14	25.76	24.27	
		25	12	25.00	27.07	25.34	25.92	26.94	25.88	24.44	26.38	25.13	24.26	25.81	24.21	
	64QAM	25	24	24.90	26.95	25.38	24.82	26.97	25.91	23.43	26.35	25.10	23.29	25.72	24.18	
		50	0	24.99	26.98	25.29	22.87	26.92	25.85	22.30	26.36	25.11	21.19	25.72	24.21	
		1	0	25.31	27.02	25.21	20.97	27.03	26.01	21.14	26.45	25.10	19.11	25.79	24.29	
		1	24	25.15	<b>27.16</b>	25.35	26.01	<b>27.13</b>	26.15	24.52	<b>26.62</b>	25.23	24.50	<b>25.85</b>	24.42	
		1	49	24.74	26.99	25.35	26.01	27.10	26.06	24.65	26.52	25.17	24.48	25.77	24.23	
		25	0	24.15	26.03	24.25	21.88	25.91	24.86	21.20	25.36	24.05	20.16	24.73	23.21	
	256QAM	25	12	23.92	26.06	24.31	24.94	25.94	24.93	23.38	25.40	24.16	23.24	24.74	23.20	
		25	24	23.82	25.97	24.32	23.83	25.93	24.89	22.44	25.41	24.13	22.16	24.71	23.20	
		50	0	23.94	25.98	24.30	21.86	25.95	24.86	21.33	25.37	24.13	20.24	24.72	23.18	
		1	0	22.45	23.99	22.30	17.84	23.92	22.90	17.90	23.37	22.01	16.21	<b>22.79</b>	21.18	
		1	24	22.08	<b>24.09</b>	22.38	22.93	23.90	23.03	21.38	<b>23.51</b>	22.18	21.26	22.71	21.14	
		1	49	22.02	23.87	22.35	22.74	23.88	22.78	21.41	23.35	22.08	21.20	22.59	21.10	
	10.0	256QAM	25	0	22.20	23.99	22.21	19.87	23.88	22.85	19.20	23.36	22.09	18.15	22.69	21.21
			25	12	21.98	24.01	22.29	22.90	<b>23.94</b>	22.91	21.42	23.43	22.16	21.28	22.73	21.25
			25	24	21.86	23.96	22.33	21.80	23.91	22.84	20.39	23.40	22.16	20.23	22.71	21.20
			50	0	22.01	23.97	22.28	19.86	23.89	22.85	19.30	23.39	22.15	18.21	22.69	21.20

**OUTPUT POWER FOR LTE BAND 41 (15.0 MHz)**

Bandwidth (MHz)	Modulation	RB Allocation	RB Offset	Conducted Average (dBm)											
				ANT 1			ANT 2			ANT 3			ANT 4		
				39725	40620	41515	39725	40620	41515	39725	40620	41515	39725	40620	41515
15.0	QPSK	1	0	27.56	28.19	27.56	23.30	28.13	28.01	22.78	27.87	26.87	20.97	27.60	26.30
		1	37	27.60	28.28	27.60	28.00	28.13	28.00	26.20	27.87	26.95	26.30	<b>27.70</b>	26.30
		1	74	27.70	28.09	27.70	27.91	28.20	27.98	25.87	<b>28.00</b>	27.00	26.21	27.66	26.30
		36	0	26.63	28.32	26.63	23.37	28.20	27.35	22.21	27.22	25.94	21.21	26.69	25.46
		36	16	26.67	<b>28.70</b>	26.67	27.32	<b>28.70</b>	27.43	25.36	27.23	25.88	25.23	26.70	25.45
		36	35	26.62	28.19	26.62	24.30	28.14	27.34	24.34	27.26	26.01	22.25	26.69	25.40
		75	0	25.81	27.85	25.81	23.31	28.26	27.43	22.27	27.25	25.91	21.09	26.57	25.29
	16QAM	1	0	26.05	28.14	26.05	22.24	28.08	27.26	22.25	27.57	26.25	20.28	<b>26.89</b>	25.62
		1	37	26.11	<b>28.27</b>	26.11	27.28	28.09	27.23	25.64	27.53	26.34	25.47	26.87	25.58
		1	74	26.15	28.09	26.15	27.18	<b>28.14</b>	27.35	25.51	<b>27.68</b>	26.27	25.48	26.84	25.61
		36	0	24.78	26.92	24.78	21.96	26.80	25.98	21.24	26.25	24.95	20.08	25.63	24.34
		36	16	24.83	26.95	24.83	25.92	26.81	26.10	24.39	26.25	24.91	24.15	25.59	24.34
		36	35	24.79	26.80	24.79	22.83	26.76	25.96	23.37	26.29	25.01	21.13	25.61	24.29
		75	0	24.80	26.85	24.80	21.91	26.80	26.04	21.31	26.26	24.93	20.10	25.59	24.31
	64QAM	1	0	24.78	26.78	24.78	20.96	26.86	26.19	20.93	<b>26.47</b>	25.13	19.07	25.72	24.47
		1	37	24.90	<b>26.96</b>	24.90	26.25	26.96	26.29	24.57	26.43	25.15	24.41	<b>25.75</b>	24.43
		1	74	25.00	26.81	25.00	26.04	<b>27.01</b>	26.18	24.21	26.35	25.16	24.40	25.74	24.52
		36	0	23.77	25.92	23.77	20.93	25.76	25.03	20.26	25.22	23.94	19.08	24.61	23.32
		36	16	23.82	25.92	23.82	24.95	25.75	25.08	23.36	25.26	23.92	23.13	24.61	23.32
		36	35	23.77	25.80	23.77	21.85	25.68	24.97	22.35	25.30	23.99	20.14	24.61	23.29
		75	0	23.81	25.88	23.81	20.88	25.76	25.07	20.31	25.27	23.93	19.11	24.61	23.31
	256QAM	1	0	21.63	23.86	21.63	17.90	23.63	22.94	17.92	23.25	22.01	16.05	<b>22.71</b>	21.36
		1	37	21.99	<b>24.09</b>	21.99	23.06	<b>23.83</b>	23.14	21.44	23.19	21.88	21.28	22.59	21.44
		1	74	21.99	23.87	21.99	22.95	23.63	22.97	21.23	23.28	22.02	21.29	22.54	21.27
		36	0	21.75	23.94	21.75	18.99	23.62	23.03	18.24	23.27	21.93	17.10	22.61	21.33
		36	16	21.79	23.92	21.79	22.89	23.67	23.06	21.37	<b>23.31</b>	21.93	21.10	22.61	21.29
		36	35	21.80	23.81	21.80	19.85	23.64	23.01	20.36	23.30	22.00	18.16	22.59	21.28
		75	0	21.82	23.89	21.82	18.88	23.60	23.10	18.30	23.29	21.93	17.10	22.60	21.32

**OUTPUT POWER FOR LTE BAND 41 (20.0 MHz)**

Bandwidth (MHz)	Modulation	RB Allocation	RB Offset	Conducted Average (dBm)											
				ANT 1			ANT 2			ANT 3			ANT 4		
				39750	40620	41490	39750	40620	41490	39750	40620	41490	39750	40620	41490
20.0	QPSK	1	0	27.70	28.08	27.57	23.30	28.55	27.98	23.04	27.66	27.00	21.05	<b>27.70</b>	26.30
		1	49	27.24	28.16	27.54	28.00	28.54	27.96	26.18	27.62	26.91	26.30	27.63	26.25
		1	99	27.27	27.91	27.70	27.95	<b>28.70</b>	28.00	26.06	<b>28.00</b>	26.98	26.27	27.65	26.27
		50	0	26.59	28.20	26.59	23.37	28.59	27.61	22.44	26.97	25.95	21.27	26.74	25.35
		50	24	26.42	<b>28.70</b>	26.65	27.31	28.64	27.64	25.53	27.00	26.04	25.37	26.74	25.33
		50	49	26.35	28.03	26.62	24.30	28.55	27.59	24.48	27.01	26.02	22.30	26.74	25.30
		100	0	26.04	27.72	26.21	23.31	28.63	27.63	22.46	27.01	26.02	21.20	26.60	25.20
	16QAM	1	0	26.58	28.04	26.51	22.26	28.52	27.49	22.30	27.33	26.31	20.22	27.06	25.66
		1	49	26.45	<b>28.27</b>	26.71	27.33	28.47	27.54	26.34	<b>27.70</b>	26.61	25.83	<b>27.23</b>	25.58
		1	99	26.21	27.86	26.66	27.22	<b>28.59</b>	27.53	25.73	27.49	26.31	25.65	26.94	25.65
		50	0	25.13	26.80	25.17	21.92	27.17	26.20	21.45	25.98	24.93	20.14	25.65	24.22
		50	24	25.02	26.82	25.23	25.92	27.23	26.27	24.51	26.02	25.04	24.28	25.64	24.22
		50	49	24.93	26.64	25.21	22.85	27.15	26.16	23.48	26.02	25.03	21.16	25.64	24.21
		100	0	25.02	26.76	25.22	21.86	27.23	26.20	21.47	26.03	25.03	20.25	25.63	24.18
	64QAM	1	0	25.34	26.81	25.29	20.95	27.22	26.21	21.26	26.14	25.06	19.05	25.76	24.46
		1	49	25.09	<b>26.92</b>	25.51	26.11	<b>27.27</b>	26.28	25.01	26.12	25.45	24.30	25.72	24.29
		1	99	25.21	26.59	25.55	26.06	27.09	26.43	24.43	<b>26.18</b>	25.14	24.29	<b>25.77</b>	24.21
		50	0	24.11	25.77	24.17	20.95	25.84	25.22	20.43	24.98	23.95	19.15	24.64	23.19
		50	24	23.99	25.79	24.21	24.92	25.90	25.24	23.56	25.01	24.03	23.27	24.64	23.21
		50	49	23.95	25.63	24.18	21.84	25.83	25.16	22.48	25.03	24.01	20.18	24.62	23.18
		100	0	24.06	25.74	24.23	20.87	25.90	25.23	20.49	25.03	23.99	19.23	24.63	23.18
	256QAM	1	0	22.63	23.84	22.20	18.10	24.06	23.19	18.20	<b>23.25</b>	22.17	16.09	22.76	21.32
		1	49	22.19	<b>23.87</b>	22.21	22.97	23.92	23.30	21.52	23.19	22.13	21.28	<b>22.79</b>	21.31
		1	99	22.29	23.63	22.33	22.89	<b>24.14</b>	23.33	21.57	23.22	22.15	21.36	22.59	21.20
		50	0	22.11	23.78	22.18	18.99	23.88	23.16	18.46	23.00	21.92	17.14	22.64	21.23
		50	24	21.97	23.81	22.22	22.92	23.92	23.21	21.56	23.05	22.01	21.24	22.66	21.22
		50	49	21.89	23.64	22.19	19.87	23.83	23.15	20.52	23.07	22.03	18.23	22.66	21.18
		100	0	22.00	23.75	22.20	18.90	23.90	23.19	18.50	23.03	22.00	17.21	22.64	20.72

**5G NR n41**

<b>Test Engineer ID:</b>	19146	<b>Test Date:</b>	1/10/2023
--------------------------	-------	-------------------	-----------

**OUTPUT POWER FOR 5G NR n41 (10.0 MHz)**

Bandwidth (MHz)	Modulation	RB Allocation	RB Offset	Conducted Average (dBm)											
				ANT 2			ANT 1			ANT 4			ANT 3		
				500200	518600	537000	500200	518600	537000	500200	518600	537000	500200	518600	537000
10.0	BPSK	1	0	22.41	25.10	25.17	22.25	25.58	24.08	20.47	24.48	22.70	20.10	24.49	23.54
		1	1	22.30	28.64	28.00	22.15	28.61	27.63	20.51	27.68	26.30	20.17	<b>28.00</b>	27.00
		1	22	28.00	<b>28.70</b>	27.57	27.70	<b>28.70</b>	27.70	26.30	<b>27.70</b>	26.29	26.20	27.95	26.99
		1	23	24.24	25.06	25.03	24.16	25.52	24.09	22.72	24.48	22.58	22.68	24.38	23.47
		12	6	24.31	28.61	27.64	24.12	28.68	27.62	22.61	27.57	26.18	22.52	27.88	26.98
		24	0	24.31	28.14	27.29	24.15	28.39	27.10	22.61	27.40	25.69	22.47	27.41	26.40
	QPSK	1	0	21.25	24.65	24.46	21.56	25.55	24.16	19.89	24.29	22.68	19.39	24.26	23.40
		1	1	21.37	<b>28.27</b>	26.69	21.22	<b>27.95</b>	27.24	19.90	27.46	26.19	19.42	27.79	26.85
		1	22	27.08	28.10	26.49	27.23	27.86	27.27	26.30	<b>27.54</b>	26.22	25.96	<b>27.82</b>	26.81
		1	23	23.92	24.69	24.53	23.65	25.21	23.71	22.57	24.35	22.56	22.49	24.17	23.31
		12	6	22.85	28.02	26.58	22.71	27.84	27.18	21.64	27.51	26.15	21.39	27.79	26.72
		24	0	22.80	27.21	25.97	22.80	27.30	26.18	21.61	26.85	25.10	21.30	26.79	25.77
	16QAM	1	0	20.95	24.78	24.53	21.35	25.30	23.59	19.91	24.31	22.82	19.69	24.62	23.48
		1	1	21.05	27.30	26.30	21.31	<b>27.49</b>	26.18	19.93	26.79	25.41	19.74	27.19	25.85
		1	22	26.02	<b>27.31</b>	25.99	26.37	27.41	26.26	25.27	26.85	25.44	25.44	<b>27.23</b>	25.89
		1	23	23.48	24.74	24.54	23.79	25.30	23.59	22.61	24.36	22.83	22.78	24.59	23.36
		12	6	22.33	27.06	25.98	22.23	27.35	26.20	20.96	<b>26.86</b>	25.12	20.92	26.70	25.75
		24	0	22.34	26.12	25.38	22.30	26.76	25.17	21.06	25.96	24.18	20.73	25.80	24.80
	64QAM	1	0	20.91	24.62	24.43	20.47	25.26	23.36	19.01	24.39	22.39	18.91	24.20	23.31
		1	1	21.03	25.64	25.29	20.44	26.35	24.44	19.01	25.32	23.46	19.01	25.24	24.46
		1	22	24.98	25.66	24.98	24.53	<b>26.40</b>	24.52	23.35	25.29	23.52	23.50	25.31	24.44
		1	23	24.07	24.61	24.54	23.50	25.45	23.42	22.27	24.32	22.43	22.39	24.24	23.24
		12	6	22.30	25.63	24.91	22.24	26.10	24.80	21.12	25.38	23.72	20.88	25.30	24.34
		24	0	22.30	<b>25.70</b>	25.11	22.23	26.11	24.70	21.15	<b>25.39</b>	23.71	20.89	<b>25.37</b>	24.39
	256QAM	1	0	19.74	23.23	23.63	19.05	24.20	22.33	17.54	23.37	21.46	17.49	23.00	22.20
		1	1	19.64	23.35	23.60	19.01	24.23	22.38	17.54	23.29	21.49	17.52	22.97	22.44
		1	22	23.28	23.41	23.67	22.60	24.27	22.42	21.34	23.28	21.54	21.62	22.98	22.42
		1	23	23.21	23.32	23.70	22.57	<b>24.29</b>	22.41	21.27	23.33	21.49	21.54	22.93	22.33
		12	6	20.93	<b>23.81</b>	23.56	20.88	24.13	22.79	19.60	<b>23.50</b>	21.86	19.43	<b>23.30</b>	22.38
		24	0	20.80	23.69	23.56	20.72	24.03	22.67	19.53	23.46	21.72	19.34	23.25	22.32

**OUTPUT POWER FOR 5G NR n41 (15.0 MHz)**

Bandwidth (MHz)	Modulation	RB Allocation	RB Offset	Conducted Average (dBm)											
				ANT 2			ANT 1			ANT 4			ANT 3		
				500700	518600	536500	500700	518600	536500	500700	518600	536500	500700	518600	536500
15.0	BPSK	1	0	22.22	25.09	24.44	22.07	25.40	24.13	20.37	25.35	22.72	20.21	24.47	23.68
		1	1	22.32	<b>28.70</b>	28.00	22.12	28.66	27.63	20.40	27.56	26.17	20.35	27.93	27.00
		1	36	28.00	<b>28.70</b>	27.23	27.70	28.60	27.70	26.30	27.60	26.30	26.20	<b>28.00</b>	26.87
		1	37	24.44	25.19	24.39	24.08	25.38	24.13	22.68	25.30	22.74	22.74	24.41	23.61
		18	9	24.28	28.58	27.51	24.01	<b>28.70</b>	27.61	22.50	27.60	26.20	22.66	27.88	26.84
		36	0	24.33	28.13	27.23	24.02	28.38	27.10	22.49	<b>27.70</b>	25.69	22.63	27.36	26.65
	QPSK	1	0	21.41	24.77	23.74	21.58	25.34	24.11	19.87	25.38	22.78	19.47	24.28	23.56
		1	1	21.47	<b>28.19</b>	26.88	21.20	<b>28.24</b>	27.19	19.95	<b>27.64</b>	26.30	19.60	<b>27.84</b>	26.77
		1	36	27.57	28.01	26.15	27.27	27.69	27.23	26.22	27.63	26.24	26.05	27.67	26.87
		1	37	24.02	24.70	23.77	23.65	24.96	23.69	22.71	25.38	22.70	22.65	24.27	23.45
		18	9	22.86	27.70	26.60	22.58	27.88	27.16	21.53	27.62	26.18	21.51	27.69	26.72
		36	0	22.86	26.90	25.97	22.58	27.33	26.08	21.50	27.48	25.15	21.41	26.71	26.00
	16QAM	1	0	21.51	25.01	23.96	21.18	24.85	23.70	19.80	25.44	22.22	19.38	24.47	23.31
		1	1	21.48	<b>27.49</b>	26.40	21.28	27.28	26.18	19.87	26.70	24.83	19.48	<b>27.08</b>	25.72
		1	36	26.90	27.23	25.25	26.42	26.93	26.25	25.16	26.70	24.85	24.94	27.05	25.74
		1	37	24.10	25.03	23.97	23.75	24.89	23.74	22.67	25.41	22.31	22.50	24.46	23.17
		18	9	22.27	26.85	25.99	22.20	<b>27.41</b>	26.19	21.05	26.56	25.25	20.95	26.79	26.02
		36	0	22.40	26.05	25.43	22.11	26.53	25.20	20.99	<b>26.77</b>	24.26	20.92	25.71	24.90
	64QAM	1	0	20.77	24.43	23.81	20.46	24.84	23.40	19.07	25.46	22.45	18.86	24.03	23.27
		1	1	20.78	25.51	24.61	20.43	25.75	24.47	19.10	26.29	23.47	18.96	25.14	24.24
		1	36	24.86	25.50	24.94	24.54	25.78	24.50	23.43	<b>26.46</b>	23.47	23.34	25.14	24.38
		1	37	23.91	24.46	23.61	23.50	24.66	23.53	22.36	25.51	22.42	22.36	24.11	23.32
		18	9	22.54	25.53	25.02	22.08	<b>26.04</b>	24.68	21.12	26.20	23.67	20.98	25.23	24.37
		36	0	22.35	<b>25.56</b>	24.93	22.14	25.95	24.71	21.10	26.30	23.74	20.96	<b>25.32</b>	24.60
	256QAM	1	0	19.54	23.32	23.25	18.72	23.92	22.60	17.66	24.50	21.48	17.37	22.91	22.79
		1	1	19.53	23.28	23.19	18.81	24.12	22.60	17.65	<b>24.56</b>	21.45	17.47	22.90	22.73
		1	36	23.16	23.34	23.38	22.34	<b>24.17</b>	22.64	21.48	24.44	21.43	21.43	22.89	22.59
		1	37	22.93	23.32	23.24	22.32	23.94	22.66	21.48	24.39	21.44	21.41	22.88	22.75
		18	9	20.87	23.70	22.85	20.62	23.97	22.68	19.58	24.26	21.66	19.46	23.20	22.48
		36	0	20.83	<b>23.72</b>	22.92	20.64	23.93	22.73	19.57	24.33	21.70	19.37	<b>23.25</b>	22.51

**OUTPUT POWER FOR 5G NR n41 (20.0 MHz)**

Bandwidth (MHz)	Modulation	RB Allocation	RB Offset	Conducted Average (dBm)											
				ANT 2			ANT 1			ANT 4			ANT 3		
				501200	518600	536000	501200	518600	536000	501200	518600	536000	501200	518600	536000
20.0	BPSK	1	0	22.34	25.01	24.89	22.06	25.52	24.03	20.40	24.59	22.67	20.18	24.47	23.38
		1	1	22.36	28.70	28.00	22.01	28.70	27.70	20.49	27.70	26.17	20.12	27.91	27.00
		1	49	28.00	28.65	27.38	27.70	28.36	27.65	26.30	27.68	26.30	26.20	28.00	26.89
		1	50	24.60	25.16	24.93	24.03	25.69	24.10	22.82	24.43	22.69	22.61	24.40	23.40
		25	12	24.46	28.68	27.64	24.02	28.39	27.59	22.65	27.62	26.15	22.52	27.85	26.90
		50	0	24.42	28.16	27.44	24.04	28.20	27.01	22.64	27.44	25.63	22.47	27.38	26.35
	QPSK	1	0	21.43	24.61	24.57	21.53	25.59	24.03	19.94	24.53	22.62	19.33	24.33	23.32
		1	1	21.40	28.09	27.07	21.17	27.61	27.09	19.96	27.69	26.23	19.42	27.83	26.82
		1	49	26.86	28.26	26.28	27.27	27.34	27.22	26.28	27.66	26.30	25.92	27.61	26.78
		1	50	24.03	24.75	24.58	23.67	25.15	23.70	22.73	24.49	22.57	22.52	24.29	23.28
		25	12	23.03	27.90	26.70	22.63	27.49	27.23	21.66	27.67	26.16	21.36	27.74	26.81
		50	0	23.05	27.24	26.13	22.66	26.99	26.18	21.62	26.90	25.08	21.35	26.75	25.76
	16QAM	1	0	21.50	24.43	24.49	21.41	25.35	23.65	19.98	24.53	22.54	19.49	24.41	23.37
		1	1	21.54	27.14	26.41	21.56	25.96	26.25	20.08	26.92	25.19	19.47	27.05	25.93
		1	49	26.91	27.21	26.01	26.52	26.83	26.27	25.44	26.97	25.25	24.96	26.97	25.77
		1	50	24.18	24.78	24.51	23.85	25.31	23.79	22.91	24.50	22.51	22.48	24.38	23.27
		25	12	22.45	27.04	26.10	22.10	26.90	26.04	21.06	26.91	25.13	20.85	26.70	25.70
		50	0	22.49	26.15	25.49	22.12	26.27	25.13	21.08	25.82	24.17	20.79	25.73	24.70
	64QAM	1	0	20.91	24.14	24.28	20.27	25.09	23.74	19.21	24.64	22.44	18.75	24.13	23.16
		1	1	20.96	25.21	25.47	20.31	25.97	24.71	19.22	25.42	23.41	18.96	25.16	24.32
		1	49	25.04	25.37	25.01	24.45	25.93	24.86	23.67	25.69	23.44	23.46	25.17	24.22
		1	50	24.18	24.25	24.51	23.32	25.12	23.82	22.62	24.35	22.43	22.47	24.10	23.17
		25	12	22.45	25.81	25.22	22.14	26.08	24.68	21.21	25.47	23.63	20.92	25.28	24.19
		50	0	22.52	25.78	25.27	22.14	26.18	24.67	21.15	25.39	23.62	20.80	25.26	24.29
	256QAM	1	0	19.37	23.28	23.53	18.55	24.33	22.33	17.56	23.51	21.05	17.36	22.87	22.41
		1	1	19.56	23.31	23.58	18.64	24.29	22.14	17.60	23.43	21.03	17.55	22.84	22.27
		1	49	22.99	23.48	23.54	22.19	24.34	22.38	21.44	23.39	21.12	21.30	22.85	22.22
		1	50	23.17	23.39	23.55	22.13	24.39	22.42	21.44	23.48	21.10	21.49	22.83	22.09
		25	12	20.94	23.69	23.38	20.54	24.12	22.65	19.65	23.42	21.69	19.39	23.21	22.25
		50	0	21.13	23.73	23.47	20.63	24.15	22.67	19.64	23.47	21.64	19.30	23.22	22.26

**OUTPUT POWER FOR 5G NR n41 (30.0 MHz)**

Bandwidth (MHz)	Modulation	RB Allocation	RB Offset	Conducted Average (dBm)											
				ANT 2			ANT 1			ANT 4			ANT 3		
				502200	518600	525000	502200	518600	525000	502200	518600	525000	502200	518600	525000
30.0	BPSK	1	0	22.28	25.09	24.74	22.08	25.41	23.99	20.26	24.46	22.64	20.04	24.35	23.53
		1	1	22.28	28.55	28.00	22.00	28.70	27.61	20.37	27.53	26.19	20.07	27.87	26.96
		1	76	28.00	28.70	27.02	27.70	28.30	27.70	26.30	27.70	26.30	26.20	28.00	26.94
		1	77	24.51	24.97	24.70	24.16	25.61	24.22	22.69	24.47	22.70	22.63	24.41	23.48
		36	18	24.23	28.53	27.41	24.01	28.29	27.49	22.54	27.59	26.10	22.40	27.82	27.00
		75	0	24.32	28.05	27.13	24.06	27.89	27.02	22.52	27.31	25.56	22.49	27.25	26.43
	QPSK	1	0	21.37	24.51	24.22	21.55	25.34	23.95	19.77	24.43	22.58	19.31	24.18	23.37
		1	1	21.39	28.02	26.85	21.17	27.70	27.13	19.82	27.57	26.23	19.46	27.87	26.84
		1	76	27.34	27.93	26.11	27.27	27.32	27.27	26.30	27.68	26.30	25.96	27.64	26.79
		1	77	24.01	24.69	24.47	23.74	25.22	23.62	22.74	24.47	22.67	22.57	24.29	23.38
		36	18	22.79	27.83	26.46	22.56	27.39	27.11	21.46	27.45	26.09	21.33	27.60	26.71
		75	0	22.86	27.08	25.86	22.67	26.85	26.09	21.45	26.83	25.03	21.32	26.64	25.81
	16QAM	1	0	21.31	24.50	24.04	21.49	25.10	23.44	19.83	24.37	22.79	19.58	24.16	23.13
		1	1	21.39	27.18	26.09	21.53	27.17	26.08	19.90	26.80	25.43	19.53	26.83	25.62
		1	76	26.69	27.14	25.32	26.49	26.81	26.25	25.30	26.88	25.48	24.98	26.83	25.68
		1	77	23.85	24.67	24.20	24.12	25.08	23.65	22.81	24.39	22.88	22.56	24.27	23.38
		36	18	22.33	26.94	25.61	22.04	26.90	26.12	20.99	26.78	25.02	20.80	26.64	25.84
		75	0	22.34	26.08	25.11	22.10	26.30	25.16	21.03	25.90	24.04	20.89	25.62	24.79
	64QAM	1	0	20.69	24.22	24.35	20.46	24.77	23.34	18.96	24.47	22.22	18.45	23.91	23.35
		1	1	20.61	25.20	25.44	20.54	25.82	24.43	18.99	25.49	23.35	18.52	25.04	24.30
		1	76	24.75	25.45	24.66	24.56	25.79	24.53	23.50	25.39	23.46	23.17	25.15	24.20
		1	77	23.97	24.51	24.39	23.57	25.04	23.57	22.47	24.53	22.39	22.09	24.09	23.47
		36	18	22.33	25.61	24.93	22.06	26.01	24.50	21.03	25.31	23.59	20.88	25.24	24.35
		75	0	22.32	25.61	24.67	22.07	26.02	24.53	20.99	25.27	23.59	20.77	25.18	24.36
	256QAM	1	0	19.49	23.53	23.46	18.81	24.11	22.46	17.37	23.52	21.20	17.40	22.99	22.32
		1	1	19.59	23.55	23.32	18.91	24.16	22.37	17.49	23.39	21.30	17.46	23.09	22.61
		1	76	23.28	23.60	23.44	22.60	24.30	22.48	21.37	23.58	21.34	21.51	23.15	22.60
		1	77	23.02	23.55	23.40	22.43	24.24	22.50	21.37	23.52	21.33	21.57	23.15	22.58
		36	18	20.86	23.64	23.23	20.68	23.95	22.47	19.53	23.38	21.69	19.34	23.29	22.40
		75	0	20.85	23.49	23.25	20.58	24.11	22.44	19.51	23.35	21.58	19.18	23.16	22.41

**OUTPUT POWER FOR 5G NR n41 (40.0 MHz)**

Bandwidth (MHz)	Modulation	RB Allocation	RB Offset	Conducted Average (dBm)											
				ANT 2			ANT 1			ANT 4			ANT 3		
				503200	518600	534000	503200	518600	534000	503200	518600	534000	503200	518600	534000
40.0	BPSK	1	0	2516.0	2593.0	2670.0	2516.0	2593.0	2670.0	2516.0	2593.0	2670.0	2516.0	2593.0	2670.0
		1	1	22.15	25.07	25.27	22.02	25.50	23.99	20.33	24.72	22.81	19.92	24.46	23.59
		1	104	28.00	<b>28.70</b>	26.89	27.70	28.26	27.70	26.30	<b>27.70</b>	25.68	26.20	<b>28.00</b>	26.99
		1	105	24.31	25.08	25.39	24.11	25.62	24.11	22.71	24.52	22.76	22.73	24.39	23.53
		50	25	24.26	28.50	27.47	23.94	28.36	27.44	22.55	27.48	25.81	22.48	27.76	26.88
		100	0	24.23	28.03	27.15	23.96	27.89	26.91	22.52	27.32	25.53	22.45	27.26	26.34
	QPSK	1	0	21.33	24.62	24.77	21.48	25.49	23.95	19.83	24.51	22.63	19.35	24.22	23.33
		1	1	21.29	<b>28.15</b>	26.66	21.08	<b>27.83</b>	27.10	19.89	27.60	26.25	19.43	27.76	26.84
		1	104	27.50	28.14	25.73	27.27	27.25	27.27	26.30	<b>27.63</b>	24.97	26.07	<b>27.78</b>	26.81
		1	105	24.04	24.74	24.87	23.63	25.18	23.66	22.73	24.42	22.73	22.61	24.28	23.33
		50	25	22.79	27.78	26.39	22.57	27.37	27.03	21.54	27.45	25.28	21.49	27.67	26.69
		100	0	22.79	27.05	25.85	22.56	26.89	25.97	21.48	26.78	24.71	21.39	26.65	25.76
	16QAM	1	0	21.27	24.24	24.58	20.91	25.02	23.64	20.19	24.32	22.78	19.64	24.43	23.31
		1	1	21.48	26.89	26.39	21.03	<b>27.33</b>	26.18	20.36	26.92	25.32	19.77	26.97	25.57
		1	104	26.77	26.71	25.09	26.01	26.73	26.18	25.86	<b>26.96</b>	24.45	25.21	<b>27.02</b>	25.73
		1	105	23.81	24.34	24.54	23.49	25.09	23.54	23.20	24.44	22.81	22.67	24.44	23.27
		50	25	22.12	<b>26.97</b>	25.86	21.96	26.83	25.92	21.04	26.82	24.70	20.91	26.68	25.79
		100	0	22.26	26.00	25.24	22.04	26.27	24.97	20.98	25.92	24.07	20.98	25.54	24.82
	64QAM	1	0	20.54	24.42	24.64	20.11	24.88	23.14	19.09	24.31	22.48	18.98	24.14	23.19
		1	1	20.82	25.39	25.32	20.07	<b>26.09</b>	24.26	19.14	<b>25.37</b>	23.62	18.89	25.25	24.17
		1	104	24.82	25.36	24.42	24.25	25.63	24.41	23.62	25.27	23.23	23.59	<b>25.33</b>	24.21
		1	105	23.96	24.43	23.97	23.28	25.18	23.31	22.52	24.24	22.65	22.43	24.26	23.19
		50	25	22.28	25.49	24.80	22.06	25.95	24.48	21.02	25.23	23.64	20.88	25.10	24.30
		100	0	22.31	<b>25.59</b>	24.88	22.07	26.02	24.47	20.99	25.31	23.57	20.92	25.19	24.21
	256QAM	1	0	19.07	23.28	23.72	18.70	24.13	22.15	17.20	<b>23.50</b>	21.31	17.29	22.99	22.52
		1	1	19.21	23.28	<b>24.09</b>	18.50	24.19	22.36	17.30	23.40	21.35	17.35	23.07	22.59
		1	104	22.77	23.28	23.31	22.17	24.18	22.42	21.14	23.41	21.38	21.56	22.99	22.39
		1	105	22.86	23.24	23.40	22.36	<b>24.33</b>	22.33	21.14	23.35	21.38	21.51	22.98	22.64
		50	25	20.77	23.45	23.65	20.53	23.85	22.55	19.54	23.39	21.68	19.38	<b>23.14</b>	22.39
		100	0	20.76	23.53	23.83	20.61	23.93	22.51	19.46	23.33	21.62	19.35	23.12	22.37

**OUTPUT POWER FOR 5G NR n41 (50.0 MHz)**

Bandwidth (MHz)	Modulation	RB Allocation	RB Offset	Conducted Average (dBm)											
				ANT 2			ANT 1			ANT 4			ANT 3		
				504200	518600	533000	504200	518600	533000	504200	518600	533000	504200	518600	533000
50.0	BPSK	1	0	2521.0	2593.0	2665.0	2521.0	2593.0	2665.0	2521.0	2593.0	2665.0	2521.0	2593.0	2665.0
		1	1	22.25	25.08	25.35	22.02	25.27	24.07	20.29	24.63	22.77	19.93	24.31	23.53
		1	131	28.00	<b>28.70</b>	26.96	27.70	28.34	27.70	26.30	<b>27.70</b>	25.55	26.20	<b>28.00</b>	26.81
		1	132	24.41	25.12	25.48	24.15	25.28	24.13	22.73	24.42	22.71	22.53	24.38	23.45
		64	32	24.32	28.61	27.72	24.01	28.41	27.65	22.64	27.51	25.86	22.29	27.78	27.00
		128	0	24.33	28.07	27.55	24.00	28.32	27.05	22.55	27.32	25.60	22.29	27.25	26.48
	QPSK	1	0	21.35	24.70	24.75	21.53	25.37	24.08	19.72	24.50	22.69	19.17	24.22	23.39
		1	1	21.36	<b>28.27</b>	27.39	21.16	<b>28.27</b>	27.27	19.82	<b>27.61</b>	26.22	19.27	<b>27.87</b>	26.84
		1	131	27.57	27.74	26.28	27.27	27.40	27.02	26.28	27.60	24.90	25.90	27.59	26.87
		1	132	23.97	24.73	25.06	23.66	25.06	23.73	22.71	24.36	22.73	22.38	24.30	23.21
		64	32	22.86	27.55	27.00	22.54	27.56	27.21	21.64	27.55	25.30	21.12	27.57	26.78
		128	0	22.87	26.79	26.50	22.54	27.22	26.12	21.59	26.79	24.77	21.17	26.56	25.71
	16QAM	1	0	21.31	24.35	24.87	20.71	24.76	23.58	19.47	24.22	22.85	19.12	24.15	23.15
		1	1	21.28	27.07	<b>27.07</b>	20.93	<b>27.61</b>	26.17	19.51	<b>27.06</b>	25.37	19.26	<b>26.85</b>	25.77
		1	131	26.44	26.62	26.03	26.09	26.93	26.17	24.90	26.54	24.44	24.72	<b>26.85</b>	25.81
		1	132	23.79	24.45	25.22	23.51	25.10	23.82	22.40	24.25	22.90	22.49	24.19	23.18
		64	32	22.35	26.76	26.48	22.09	27.13	26.14	21.16	26.80	24.80	20.66	26.65	25.78
		128	0	22.32	25.95	25.86	22.12	26.46	25.10	21.00	25.81	24.14	20.65	25.58	24.78
	64QAM	1	0	20.59	24.73	24.53	20.35	24.83	23.26	19.17	24.25	22.71	18.32	24.05	23.18
		1	1	20.61	25.49	<b>25.76</b>	20.46	25.79	24.36	19.20	<b>25.33</b>	23.83	18.36	25.14	24.05
		1	131	24.71	25.50	24.83	24.73	25.94	24.44	23.64	25.06	23.42	23.10	<b>25.21</b>	24.17
		1	132	23.77	24.63	24.82	23.54	24.92	23.53	22.63	24.15	22.90	22.01	24.20	23.23
		64	32	22.32	25.41	25.61	22.10	25.90	24.58	21.09	25.20	23.78	20.62	25.16	24.23
		128	0	22.42	25.51	25.64	22.10	<b>25.97</b>	24.66	21.03	25.27	23.68	20.61	25.10	24.23
	256QAM	1	0	19.22	23.16	23.91	18.43	23.85	22.17	17.55	<b>23.58</b>	21.10	17.12	23.00	22.40
		1	1	19.37	23.38	23.88	18.41	23.77	22.38	17.67	23.25	21.12	17.19	23.08	22.14
		1	131	23.25	23.14	23.90	22.25	23.92	22.27	21.55	23.31	21.18	21.31	23.14	22.44
		1	132	22.95	23.05	<b>24.11</b>	22.17	23.95	22.33	21.55	23.28	21.19	21.25	23.14	22.47
		64	32	20.86	23.63	23.91	20.66	23.97	22.60	19.66	23.33	21.74	19.23	<b>23.18</b>	22.30
		128	0	20.82	23.60	23.94	20.60	<b>24.01</b>	22.58	19.47	23.33	21.65	19.21	23.08	22.22

**OUTPUT POWER FOR 5G NR n41 (60.0 MHz)**

Bandwidth (MHz)	Modulation	RB Allocation	RB Offset	Conducted Average (dBm)											
				ANT 2			ANT 1			ANT 4			ANT 3		
				505200	518600	532000	505200	518600	532000	505200	518600	532000	505200	518600	532000
60.0	BPSK	1	0	22.37	25.08	24.90	22.03	25.27	23.96	19.78	24.46	22.73	19.84	24.41	23.43
		1	1	22.38	28.53	28.00	22.20	<b>28.70</b>	27.70	19.81	<b>27.70</b>	26.30	19.87	<b>28.00</b>	27.00
		1	160	28.00	<b>28.70</b>	26.86	27.70	28.34	27.08	26.30	27.47	25.59	26.20	27.98	26.29
		1	161	24.46	25.06	24.93	24.03	25.28	24.26	22.50	24.18	22.68	22.56	24.43	23.38
		81	40	24.51	28.62	27.55	24.09	28.41	27.61	22.35	27.51	26.11	22.41	27.77	26.81
		162	0	24.50	28.07	27.24	24.13	28.32	27.10	22.35	27.28	25.61	22.41	27.24	26.31
	QPSK	1	0	21.29	24.53	24.26	21.44	25.37	24.09	19.27	24.54	22.65	19.20	24.19	23.22
		1	1	21.43	<b>28.16</b>	26.97	21.10	<b>28.27</b>	27.14	19.29	<b>27.63</b>	26.17	19.22	27.73	26.74
		1	160	27.43	27.83	25.94	27.25	27.40	26.29	25.95	27.56	24.93	25.88	<b>27.75</b>	25.50
		1	161	24.03	24.66	24.47	23.76	25.06	23.76	22.49	24.35	22.68	22.42	24.19	23.25
		81	40	23.10	27.55	26.64	22.66	27.56	26.25	21.41	27.46	25.60	21.34	27.67	26.17
		162	0	23.07	27.11	26.04	22.70	27.22	25.69	21.36	26.71	24.93	21.29	26.62	25.50
	16QAM	1	0	21.39	24.64	24.36	20.78	24.76	23.52	19.08	24.28	22.83	19.01	24.08	23.40
		1	1	21.51	<b>27.23</b>	26.28	20.89	<b>27.61</b>	26.18	19.04	26.50	25.39	18.97	<b>26.80</b>	25.96
		1	160	26.36	27.03	25.36	26.03	26.93	25.32	24.76	26.74	24.43	24.69	26.75	25.00
		1	161	24.03	24.66	24.60	23.33	25.10	23.43	22.35	24.22	22.86	22.28	24.13	23.43
		81	40	22.59	26.77	26.11	22.26	27.13	25.59	20.90	<b>26.82</b>	25.11	20.83	26.68	25.68
		162	0	22.60	26.10	25.50	22.29	26.46	24.83	20.88	25.76	24.13	20.81	25.57	24.70
	64QAM	1	0	21.00	24.73	24.37	20.43	24.83	23.36	18.52	24.34	22.66	18.45	24.07	23.23
		1	1	21.08	<b>25.91</b>	25.34	20.40	25.79	24.51	18.17	25.25	23.65	18.10	25.23	24.22
		1	160	25.41	25.55	24.59	24.17	25.94	23.81	23.23	<b>25.44</b>	23.45	23.16	<b>25.28</b>	24.02
		1	161	24.16	24.50	24.59	23.58	24.92	23.77	22.05	24.40	22.72	21.98	24.20	23.29
		81	40	22.60	25.48	25.22	22.26	25.90	24.28	20.89	25.31	23.68	20.82	25.26	24.25
		162	0	22.65	25.64	25.22	22.29	<b>25.97</b>	24.48	20.89	25.38	23.62	20.82	25.17	24.19
	256QAM	1	0	19.43	23.17	22.99	18.67	23.85	22.08	17.56	23.35	21.39	17.49	22.79	21.96
		1	1	19.19	23.30	23.13	18.44	23.77	22.47	17.25	<b>23.45</b>	21.35	17.18	22.78	21.92
		1	160	23.12	23.35	23.34	22.35	23.92	22.08	21.54	23.35	21.38	21.47	22.80	21.95
		1	161	22.95	23.40	23.21	21.88	23.95	22.45	21.55	23.09	21.37	21.48	22.80	21.94
		81	40	21.09	23.62	23.44	20.70	23.97	22.67	19.33	23.35	21.71	19.26	<b>23.18</b>	22.28
		162	0	21.11	<b>23.64</b>	23.34	20.70	<b>24.01</b>	22.81	19.39	23.27	21.61	19.32	23.10	22.18

**OUTPUT POWER FOR 5G NR n41 (70.0 MHz)**

Bandwidth (MHz)	Modulation	RB Allocation	RB Offset	Conducted Average (dBm)											
				ANT 2			ANT 1			ANT 4			ANT 3		
				506200	518600	531000	506200	518600	531000	506200	518600	531000	506200	518600	531000
70.0	BPSK	1	0	22.51	23.05	25.14	22.51	23.08	24.84	20.34	22.49	22.73	21.90	22.57	23.30
		1	1	22.55	23.22	27.92	22.25	23.45	27.62	20.44	22.37	26.30	21.97	22.44	27.00
		1	187	28.00	<b>28.70</b>	26.97	27.70	<b>28.70</b>	26.67	26.30	<b>27.70</b>	25.59	26.20	<b>28.00</b>	26.69
		1	188	24.53	25.02	25.39	24.23	25.34	25.09	22.80	24.33	22.68	24.04	24.25	23.16
		90	45	24.64	28.65	28.00	24.34	28.52	27.70	22.76	27.54	26.11	24.22	27.92	26.80
		180	0	24.68	28.15	27.80	24.38	28.40	27.50	22.72	27.32	25.61	24.15	27.48	26.28
	QPSK	1	0	21.46	21.95	24.71	21.59	22.67	24.84	19.93	22.09	22.65	21.25	21.92	23.23
		1	1	21.58	22.23	27.12	21.28	22.33	26.82	20.05	21.91	26.17	21.22	21.94	26.80
		1	187	27.50	<b>27.90</b>	26.20	27.20	27.66	25.90	26.30	27.54	24.93	26.14	<b>27.85</b>	25.92
		1	188	24.20	24.65	25.02	23.90	25.01	24.72	22.80	24.34	22.68	23.93	24.11	22.92
		90	45	23.31	27.73	27.30	23.01	<b>27.71</b>	27.00	21.78	<b>27.61</b>	25.60	23.02	27.82	26.64
		180	0	23.30	27.22	26.61	23.00	27.37	26.31	21.64	26.80	24.93	22.98	26.89	25.62
	16QAM	1	0	21.86	22.11	25.07	21.56	22.48	24.77	19.94	21.74	22.83	21.23	21.75	22.94
		1	1	21.98	22.41	26.90	21.68	22.72	26.60	20.05	21.72	25.39	21.50	21.63	25.52
		1	187	26.82	<b>27.39</b>	26.10	26.52	27.21	25.80	25.40	26.38	24.43	<b>27.14</b>	26.54	25.34
		1	188	24.52	24.89	25.28	24.22	25.20	24.98	22.85	23.89	22.86	24.44	23.96	23.30
		90	45	22.81	26.78	26.91	22.51	<b>27.22</b>	26.61	21.30	<b>26.84</b>	25.11	22.95	26.92	25.65
		180	0	22.80	26.23	26.27	22.50	26.47	25.97	21.14	25.89	24.13	22.88	25.83	24.69
	64QAM	1	0	21.03	21.31	25.02	20.73	21.92	24.72	19.27	21.57	22.66	20.77	21.24	23.13
		1	1	21.26	21.54	25.97	20.96	22.20	25.67	19.31	21.31	23.65	20.71	21.44	24.43
		1	187	25.09	25.21	25.19	24.79	25.38	24.89	23.66	<b>25.45</b>	23.45	25.14	24.91	23.96
		1	188	24.18	24.54	24.98	23.88	24.80	24.68	22.65	24.36	22.72	24.16	23.84	23.29
		90	45	22.77	25.60	<b>26.10</b>	22.47	25.64	<b>25.80</b>	21.31	25.31	23.68	22.86	25.33	24.15
		180	0	22.83	25.74	25.99	22.53	25.70	25.69	21.23	25.36	23.62	22.86	<b>25.34</b>	24.15
	256QAM	1	0	19.62	19.60	24.44	19.32	19.92	24.14	17.55	19.80	21.39	19.88	20.25	22.54
		1	1	19.74	19.86	24.28	19.44	20.17	23.98	17.58	19.75	21.35	20.08	20.30	22.65
		1	187	23.18	23.39	24.39	22.88	23.77	24.09	21.40	23.17	21.38	<b>23.64</b>	23.63	22.37
		1	188	23.27	23.42	<b>24.63</b>	22.97	23.64	<b>24.33</b>	21.40	<b>23.55</b>	21.37	23.60	23.58	22.49
		90	45	21.13	23.68	24.28	20.83	23.80	23.98	19.82	23.41	21.71	21.39	23.36	22.18
		180	0	21.24	23.74	24.25	20.94	23.72	23.95	19.68	23.36	21.61	21.46	23.29	22.17

**OUTPUT POWER FOR 5G NR n41 (80.0 MHz)**

Bandwidth (MHz)	Modulation	RB Allocation	RB Offset	Conducted Average (dBm)											
				ANT 2			ANT 1			ANT 4			ANT 3		
				507200	518600	530000	507200	518600	530000	507200	518600	530000	507200	518600	530000
80.0	BPSK	1	0	22.91	22.97	25.25	22.02	23.75	24.03	21.92	22.45	24.55	22.06	22.45	23.87
		1	1	23.17	23.06	27.98	22.28	24.02	27.48	21.83	22.59	26.25	22.07	22.48	26.94
		1	215	28.00	28.53	27.25	27.70	<b>28.70</b>	26.94	26.30	27.70	26.30	26.20	<b>28.00</b>	26.90
		1	216	25.06	25.07	25.63	24.17	26.11	23.99	24.44	24.30	24.46	24.40	24.29	23.78
		108	54	25.17	<b>28.70</b>	28.00	24.28	28.64	27.70	24.42	27.67	27.68	24.62	27.87	27.00
		216	0	25.12	28.16	27.76	24.23	28.65	27.08	24.34	27.41	27.37	24.49	27.37	26.69
	QPSK	1	0	22.14	22.09	24.72	21.68	23.29	23.96	21.43	21.96	24.42	21.42	21.80	23.61
		1	1	22.17	22.34	27.33	21.28	23.13	26.97	21.20	22.01	27.45	21.39	21.78	26.64
		1	215	27.89	<b>28.23</b>	26.16	27.19	<b>28.18</b>	25.90	26.12	<b>27.56</b>	27.28	27.72	27.69	26.47
		1	216	24.61	24.70	25.13	23.72	25.60	23.64	24.39	24.48	24.30	24.32	24.01	23.49
		108	54	23.67	27.74	27.21	22.78	28.07	26.54	23.38	26.98	27.55	23.49	<b>27.78</b>	26.74
		216	0	23.65	27.21	26.53	22.76	28.09	25.83	23.36	26.99	26.85	23.40	26.69	26.04
	16QAM	1	0	21.51	21.71	24.74	20.62	22.53	23.88	20.90	21.71	24.66	21.50	21.37	23.85
		1	1	21.93	21.88	26.71	21.04	23.02	26.17	21.04	21.84	21.45	21.61	21.48	26.27
		1	215	26.88	26.73	25.72	25.99	27.76	25.24	26.12	26.75	26.86	26.08	<b>26.69</b>	26.05
		1	216	24.27	24.21	25.06	23.38	25.77	23.95	24.30	24.03	24.53	24.33	23.94	23.72
		108	54	23.24	<b>26.90</b>	26.77	22.35	<b>27.94</b>	25.70	22.88	<b>27.07</b>	26.72	22.92	26.68	25.91
		216	0	23.21	26.14	26.00	22.32	27.12	25.04	22.87	25.99	25.96	22.83	25.73	25.15
	64QAM	1	0	21.48	21.63	24.76	20.59	22.56	23.33	20.82	21.53	24.17	20.80	21.17	23.36
		1	1	21.65	21.53	25.73	20.76	22.56	24.37	20.56	21.18	25.35	20.72	21.05	24.54
		1	215	25.30	25.02	25.05	24.41	<b>27.00</b>	23.79	<b>25.55</b>	25.50	25.35	25.19	25.16	24.54
		1	216	24.52	24.23	25.02	23.63	25.78	23.51	24.23	24.39	24.26	24.15	23.89	23.45
		108	54	23.24	25.47	<b>25.86</b>	22.35	26.69	24.45	22.87	25.44	25.31	22.89	<b>25.28</b>	24.50
		216	0	23.18	25.72	25.81	22.29	26.68	24.54	22.85	25.46	25.39	22.85	25.21	24.58
	256QAM	1	0	20.05	19.78	23.72	19.16	20.92	22.24	19.10	20.39	23.54	19.87	20.31	22.73
		1	1	19.98	19.74	23.95	19.09	21.28	22.39	19.12	20.15	<b>23.87</b>	20.06	20.03	23.06
		1	215	23.91	23.16	<b>24.30</b>	23.02	<b>24.78</b>	22.40	23.38	23.48	23.69	23.56	23.39	22.88
		1	216	23.62	23.31	24.18	22.73	24.67	22.10	23.47	23.54	23.85	<b>23.61</b>	23.51	23.04
		108	54	21.69	23.72	23.99	20.80	24.51	22.72	21.31	23.51	23.48	21.38	23.25	22.67
		216	0	21.71	23.66	24.00	20.82	24.64	22.70	21.27	23.38	23.46	21.38	23.22	22.65

**OUTPUT POWER FOR 5G NR n41 (90.0 MHz)**

Bandwidth (MHz)	Modulation	RB Allocation	RB Offset	Conducted Average (dBm)											
				ANT 2			ANT 1			ANT 4			ANT 3		
				508200	518600	529000	508200	518600	529000	508200	518600	529000	508200	518600	529000
90.0	BPSK	1	0	22.84	22.91	25.14	21.84	23.80	23.92	21.83	22.38	22.67	20.37	22.52	24.28
		1	1	23.16	23.05	27.90	22.16	23.90	27.70	21.88	22.33	26.30	20.42	22.37	27.00
		1	243	28.00	<b>28.70</b>	27.20	27.70	<b>28.70</b>	26.90	26.30	<b>27.70</b>	25.76	26.20	<b>28.00</b>	26.59
		1	244	25.05	25.10	25.50	24.05	26.16	24.23	24.36	24.39	22.46	22.90	24.31	24.07
		120	60	25.01	28.62	28.00	24.01	28.41	27.69	24.23	27.56	26.08	22.77	<b>28.00</b>	26.91
		243	0	25.00	28.01	27.77	24.00	28.49	27.21	24.30	27.44	25.62	22.84	27.37	26.45
	QPSK	1	0	22.19	21.99	24.75	21.62	22.95	24.10	21.12	21.76	22.64	19.53	21.67	24.12
		1	1	21.99	21.97	27.27	20.99	22.85	27.24	21.06	21.77	26.30	19.47	21.97	27.00
		1	243	27.81	<b>28.01</b>	26.21	26.81	<b>28.01</b>	26.26	26.31	<b>27.69</b>	25.23	25.82	27.73	26.71
		1	244	24.45	24.60	25.15	23.45	25.54	23.67	24.13	24.41	22.60	22.54	24.10	24.08
		120	60	23.66	27.64	27.26	22.66	27.98	26.70	23.30	27.56	26.09	21.71	<b>27.79</b>	26.79
		243	0	23.49	27.11	26.57	22.49	27.58	25.93	23.28	26.88	25.01	21.69	26.63	25.71
	16QAM	1	0	21.67	21.44	24.35	20.67	22.72	23.78	21.44	21.60	23.04	19.85	21.89	24.52
		1	1	22.29	21.53	26.87	21.29	22.90	26.61	21.48	21.62	25.37	19.89	21.99	26.07
		1	243	<b>27.00</b>	26.67	25.65	26.00	27.53	25.53	25.98	26.61	24.82	25.49	26.70	26.30
		1	244	24.51	24.20	24.92	23.51	25.38	23.84	24.72	24.05	22.94	23.13	24.44	24.42
		120	60	23.05	26.74	26.76	22.05	<b>27.89</b>	25.94	22.77	<b>26.86</b>	25.04	21.18	<b>26.73</b>	25.74
		243	0	23.09	26.01	26.05	22.09	27.01	25.14	22.80	25.81	24.05	21.21	25.74	25.53
	64QAM	1	0	21.40	21.39	24.36	20.40	22.18	23.15	20.71	21.62	22.19	19.12	20.97	23.67
		1	1	21.50	21.63	25.66	20.50	22.35	24.52	20.44	21.34	23.31	18.85	21.41	24.79
		1	243	25.35	25.55	24.88	24.35	<b>26.73</b>	24.06	<b>25.56</b>	25.17	23.33	23.97	25.01	24.81
		1	244	24.29	24.45	25.17	23.29	25.61	23.32	24.05	24.45	21.76	22.46	23.98	23.24
		120	60	23.14	25.44	<b>25.90</b>	22.14	26.57	24.53	22.81	25.38	23.57	21.22	25.28	25.05
		243	0	23.08	25.62	25.80	22.08	26.56	24.61	22.76	25.34	23.70	21.17	<b>25.29</b>	25.18
	256QAM	1	0	19.79	19.47	23.83	18.79	20.87	21.95	19.19	20.09	21.84	17.60	20.08	23.32
		1	1	19.63	19.67	23.96	18.63	21.03	22.29	19.11	19.83	22.02	17.52	19.89	<b>23.50</b>
		1	243	23.20	23.27	<b>24.15</b>	22.20	<b>24.78</b>	22.74	23.25	23.46	21.40	21.66	23.49	22.88
		1	244	23.44	23.20	24.01	22.44	24.68	22.33	23.16	<b>23.81</b>	21.94	21.57	23.21	23.42
		120	60	21.73	23.57	23.97	20.73	24.52	22.74	21.29	23.35	21.63	19.70	23.22	23.11
		243	0	21.65	23.56	24.06	20.65	24.44	22.76	21.30	23.32	21.60	19.71	23.22	23.08



**OUTPUT POWER FOR 5G NR n41 (100.0 MHz)**

Bandwidth (MHz)	Modulation	RB Allocation	RB Offset	Conducted Average (dBm)											
				ANT 2			ANT 1			ANT 4			ANT 3		
				509200	528600	528000	509200	528600	528000	509200	528600	528000	509200	528600	528000
100.0	BPSK	1	0	23.08	22.87	22.96	22.02	23.74	21.87	20.54	22.39	20.77	22.24	22.38	22.29
		1	1	23.28	22.99	23.48	22.03	24.08	22.27	20.50	22.24	20.98	22.20	22.49	22.50
		1	271	28.00	28.46	27.34	27.70	<b>28.70</b>	26.87	26.30	27.50	26.14	26.20	<b>28.00</b>	26.86
		1	272	25.31	25.05	25.76	24.31	26.12	24.10	22.87	24.43	22.71	24.57	24.20	24.23
		135	67	25.32	<b>28.70</b>	28.00	24.18	28.55	27.70	22.81	<b>27.70</b>	26.30	24.51	27.95	27.00
		270	0	25.31	28.10	27.68	24.16	28.55	27.17	22.77	27.19	25.73	24.47	27.34	26.45
	QPSK	1	0	22.11	22.04	22.04	21.72	23.09	21.41	19.87	21.90	20.11	21.44	21.77	21.50
		1	1	22.18	22.29	22.17	21.09	23.03	21.17	20.00	21.81	20.14	21.57	21.84	21.53
		1	271	27.57	<b>28.27</b>	26.43	27.27	28.05	26.35	26.20	<b>27.50</b>	25.36	26.12	27.63	25.95
		1	272	24.76	24.69	25.34	23.83	25.73	23.73	22.84	24.16	22.68	24.41	24.13	24.07
		135	67	23.86	27.69	27.15	22.79	<b>28.10</b>	26.56	21.73	27.47	26.30	23.30	<b>27.74</b>	26.89
		270	0	23.79	27.18	26.50	22.69	27.93	25.97	21.66	26.79	25.19	23.23	26.74	26.58
	16QAM	1	0	21.68	21.81	22.19	21.01	22.78	20.64	19.68	21.28	19.99	21.25	22.01	21.38
		1	1	21.69	21.85	22.74	21.17	23.16	20.88	19.81	21.36	20.19	21.38	21.80	21.58
		1	271	<b>27.35</b>	26.85	25.98	25.64	27.68	25.30	25.16	26.62	24.86	26.73	<b>26.79</b>	25.45
		1	272	24.47	24.31	25.32	23.52	25.64	22.84	22.62	24.07	22.51	24.19	23.86	23.90
		135	67	23.34	26.92	26.59	22.20	<b>27.79</b>	25.86	21.34	<b>26.79</b>	25.19	22.91	26.75	25.78
		270	0	23.29	26.13	26.00	22.20	27.05	25.11	21.26	25.74	24.24	22.83	25.78	25.63
	64QAM	1	0	21.68	21.47	21.48	20.65	22.29	20.29	19.26	21.09	19.56	20.83	21.11	20.95
		1	1	21.85	21.62	21.66	20.78	22.48	20.24	19.28	21.17	19.44	20.85	21.26	20.83
		1	271	<b>25.89</b>	25.25	24.86	25.00	26.34	23.96	23.76	25.28	23.40	<b>25.33</b>	24.80	24.79
		1	272	24.98	24.58	24.83	24.10	26.00	23.48	22.34	24.14	22.55	23.91	23.95	23.94
		135	67	23.32	25.55	25.74	22.26	<b>26.62</b>	24.61	21.32	25.27	23.76	22.89	25.25	25.15
		270	0	23.27	25.70	25.73	22.20	26.59	24.72	21.20	<b>25.31</b>	23.77	22.77	25.32	25.16
	256QAM	1	0	19.49	20.02	20.57	18.64	20.69	18.38	17.73	19.84	18.42	19.30	19.96	19.81
		1	1	19.91	19.95	20.53	18.88	21.03	18.77	17.78	19.64	18.30	19.35	20.38	19.69
		1	271	23.56	23.61	<b>24.33</b>	22.65	24.75	22.77	21.81	23.30	22.08	23.38	<b>23.62</b>	23.47
		1	272	23.63	23.62	23.88	22.50	<b>24.76</b>	22.43	21.85	<b>23.37</b>	21.67	23.42	23.31	23.06
		135	67	21.83	23.67	24.06	20.69	24.48	22.73	19.79	23.24	21.69	21.36	23.28	23.08
		270	0	21.87	23.59	24.05	20.75	24.52	22.72	19.71	23.22	21.66	21.28	23.28	23.05

### 8.11. LTE BAND 48 AND 5G NR n48

#### LTE BAND 48

Test Engineer ID:	28567	Test Date:	5/1/2023
-------------------	-------	------------	----------

#### OUTPUT POWER FOR LTE BAND 48 (5.0 MHz)

Bandwidth (MHz)	Modulation	RB Allocation	RB Offset	Conducted Average (dBm)											
				ANT 7			ANT 8			ANT 9			ANT 4		
				55265	55990	56715	55260	55990	56715	55265	55990	56715	55260	55990	56715
5.0	QPSK	1	0	25.89	25.68	25.66	25.97	25.96	25.06	25.86	25.83	25.82	24.10	23.91	23.97
		1	12	<b>26.00</b>	25.79	25.81	<b>26.00</b>	25.98	25.21	25.91	<b>26.00</b>	25.93	<b>24.20</b>	24.00	24.09
		1	24	25.90	25.70	25.70	25.89	25.81	25.14	25.86	25.90	25.79	24.10	23.91	23.98
		12	0	25.28	25.02	25.07	25.33	25.27	24.44	25.20	25.22	25.16	23.23	22.99	23.07
		12	6	25.30	25.03	25.08	25.35	25.27	24.48	25.27	25.26	25.24	23.23	23.00	23.13
		12	11	25.29	25.03	25.04	25.33	25.20	24.45	25.22	25.24	25.18	23.19	22.99	23.08
	16QAM	25	0	24.75	24.57	24.62	25.29	25.25	24.45	25.19	25.22	25.15	23.10	22.87	22.94
		1	0	24.88	24.76	24.71	25.01	25.08	24.15	25.29	25.34	25.33	23.13	23.02	23.05
		1	12	<b>25.00</b>	24.82	24.86	25.08	<b>25.12</b>	24.26	25.36	<b>25.48</b>	25.38	<b>23.27</b>	23.10	23.14
		1	24	24.87	24.76	24.79	24.93	24.93	24.24	25.32	25.37	25.30	23.25	23.04	23.01
		12	0	23.85	23.64	23.59	23.98	23.91	22.97	24.33	24.31	24.31	22.21	21.81	21.93
		12	6	23.85	23.72	23.60	23.97	23.87	23.03	24.34	24.32	24.35	22.22	21.86	21.97
	64QAM	12	11	23.86	23.67	23.59	23.90	23.80	23.01	24.32	24.32	24.32	22.19	21.83	21.96
		25	0	23.79	23.61	23.64	23.90	23.85	23.05	24.24	24.26	24.23	22.15	21.86	21.98
		1	0	24.00	23.70	23.71	24.08	<b>24.11</b>	23.12	24.29	24.44	24.38	22.27	21.96	22.12
		1	12	<b>24.06</b>	23.83	23.77	24.10	24.05	23.30	24.34	<b>24.56</b>	24.41	<b>22.36</b>	22.02	22.20
		1	24	23.97	23.68	23.70	23.98	23.86	23.23	24.26	24.40	24.33	22.26	21.95	22.11
		12	0	22.84	22.60	22.62	22.91	22.85	21.99	23.20	23.24	23.26	21.12	20.82	20.97
	256QAM	12	6	22.90	22.66	22.66	22.91	22.86	22.04	23.24	23.28	23.26	21.15	20.86	21.01
		12	11	22.85	22.61	22.62	22.87	22.80	22.03	23.22	23.26	23.22	21.13	20.83	20.98
		25	0	22.76	22.63	22.63	22.88	22.86	22.04	23.20	23.28	23.24	21.12	20.83	20.95
		1	0	20.93	20.70	20.70	20.93	21.01	20.06	21.38	21.32	21.28	19.15	18.96	19.08
		1	12	<b>20.96</b>	20.76	20.76	<b>21.05</b>	21.01	20.18	21.38	<b>21.44</b>	21.38	<b>19.33</b>	19.00	19.15
		1	24	20.84	20.69	20.69	20.90	20.82	20.13	21.26	21.29	21.30	19.14	18.91	19.06

#### OUTPUT POWER FOR LTE BAND 48 (10.0 MHz)

Bandwidth (MHz)	Modulation	RB Allocation	RB Offset	Conducted Average (dBm)											
				ANT 7			ANT 8			ANT 9			ANT 4		
				55290	55990	56690	55290	55990	56690	55290	55990	56690	55290	55990	56690
10.0	QPSK	1	0	25.99	25.83	25.87	25.89	<b>26.00</b>	24.97	25.85	25.91	25.90	24.19	23.97	24.02
		1	24	<b>26.00</b>	25.83	25.82	25.83	25.83	24.99	25.89	25.98	25.93	<b>24.20</b>	23.98	24.06
		1	49	25.95	25.81	25.79	25.67	25.66	25.03	25.88	<b>26.00</b>	25.89	24.18	23.97	24.00
		25	0	25.31	25.17	25.15	25.20	25.28	24.29	25.21	25.32	25.21	23.28	23.01	23.14
		25	12	25.35	25.20	25.17	25.17	25.20	24.35	25.23	25.34	25.25	23.31	23.03	23.15
		25	24	25.34	25.16	25.14	25.11	25.10	24.34	25.21	25.34	25.22	23.27	23.04	23.15
	16QAM	50	0	24.87	24.72	24.70	25.16	25.20	24.31	25.22	25.30	25.22	23.11	22.89	22.98
		1	0	<b>25.04</b>	24.88	24.81	24.95	<b>25.08</b>	24.05	25.38	25.39	25.40	<b>23.20</b>	22.96	23.13
		1	24	<b>25.04</b>	24.87	24.80	24.85	24.89	24.04	25.31	25.41	25.37	<b>23.20</b>	22.89	23.08
		1	49	25.00	24.84	24.82	24.74	24.67	24.08	25.35	<b>25.43</b>	25.34	23.15	23.00	23.07
		25	0	23.91	23.75	23.72	23.78	23.85	22.89	24.27	24.33	24.24	22.17	21.90	21.98
		25	12	23.90	23.76	23.75	23.76	23.78	22.94	24.27	24.33	24.29	22.19	21.94	22.01
	64QAM	25	24	23.92	23.72	23.72	23.68	23.68	22.94	24.27	24.36	24.22	22.16	21.92	22.00
		50	0	23.89	23.71	23.69	23.75	23.74	22.90	24.24	24.34	24.23	22.14	21.89	22.00
		1	0	24.05	23.85	23.86	<b>24.01</b>	24.00	23.06	24.33	24.38	24.38	<b>22.28</b>	21.97	22.04
		1	24	<b>24.10</b>	23.93	23.83	23.89	23.86	23.09	24.40	<b>24.46</b>	24.42	22.24	21.95	22.06
		1	49	24.08	23.84	23.88	23.78	23.62	23.13	24.41	24.38	24.33	22.20	22.02	21.98
		25	0	22.94	22.72	22.72	22.80	22.82	21.90	23.29	23.24	23.22	21.16	20.86	20.99
	256QAM	25	12	22.94	22.76	22.74	22.77	22.79	21.93	23.30	23.28	23.25	21.19	20.89	21.02
		25	24	22.92	22.72	22.70	22.68	22.70	21.94	23.30	23.27	23.23	21.16	20.91	21.01
		50	0	22.92	22.74	22.71	22.74	22.75	21.91	23.30	23.26	23.24	21.14	20.86	20.98
		1	0	20.98	20.75	20.74	20.91	21.02	19.97	21.27	21.19	21.26	19.20	18.92	19.01
		1	24	21.08	20.91	20.78	20.91	21.08	20.02	<b>21.41</b>	21.37	21.36	19.26	19.02	19.16
		1	49	21.00	20.81	20.71	20.71	20.63	20.03	21.36	21.33	21.26	19.20	18.94	19.01

**OUTPUT POWER FOR LTE BAND 48 (15.0 MHz)**

Bandwidth (MHz)	Modulation	RB Allocation	RB Offset	Conducted Average (dBm)											
				ANT 7			ANT 8			ANT 9			ANT 4		
				55315	55990	56665	55315	55990	56665	55315	55990	56665	55315	55990	56665
15.0	QPSK	1	0	25.92	25.65	25.84	25.52	<b>26.00</b>	24.62	25.84	25.90	25.94	23.24	24.11	23.11
		1	37	<b>26.00</b>	25.66	25.81	25.31	25.70	24.58	25.95	25.97	25.91	23.22	<b>24.20</b>	23.15
		1	74	25.97	25.59	25.76	25.11	25.35	24.54	25.91	<b>26.00</b>	25.86	23.16	24.16	23.08
		36	0	25.36	25.06	25.19	24.83	25.25	23.94	25.29	25.32	25.31	22.34	23.25	22.19
		36	16	25.36	25.05	25.18	24.67	25.07	23.94	25.33	25.34	25.28	22.31	23.25	22.18
		36	35	25.27	25.03	25.16	24.57	24.92	23.96	25.33	25.35	25.28	22.29	23.25	22.17
	16QAM	75	0	24.89	24.62	24.73	24.64	25.04	23.96	25.31	25.35	25.28	22.16	23.10	22.02
		1	0	24.98	24.78	24.90	24.53	<b>25.00</b>	23.73	25.42	25.66	25.63	22.33	23.43	22.11
		1	37	24.97	24.97	24.90	24.42	24.71	23.57	25.61	25.69	<b>25.74</b>	22.33	23.43	22.18
		1	74	<b>25.00</b>	24.76	24.86	24.16	24.39	23.62	25.47	25.66	25.54	22.26	<b>23.47</b>	22.15
		36	0	23.92	23.63	23.77	23.44	23.81	22.56	24.33	24.40	24.33	21.22	22.11	21.07
		36	16	23.94	23.64	23.78	23.26	23.66	22.54	24.33	24.41	24.31	21.21	22.15	21.07
	64QAM	36	35	23.86	23.66	23.74	23.17	23.53	22.57	24.36	24.38	24.29	21.20	22.16	21.07
		75	0	23.93	23.62	23.75	23.26	23.64	22.54	24.32	24.36	24.29	21.20	22.14	21.06
		1	0	<b>24.06</b>	23.88	23.96	23.45	<b>24.15</b>	22.68	24.34	24.38	24.40	21.21	22.19	21.10
		1	37	23.98	23.73	23.97	23.28	23.69	22.73	24.41	24.46	24.33	21.17	<b>22.26</b>	21.11
		1	74	23.89	23.78	23.80	23.18	23.40	22.60	24.35	<b>24.56</b>	24.36	21.22	22.18	21.01
		36	0	22.93	22.68	22.78	22.42	22.81	21.55	23.33	23.39	23.35	20.20	21.19	20.08
	256QAM	36	16	22.95	22.69	22.76	22.24	22.65	21.51	23.33	23.42	23.32	20.20	21.19	20.09
		36	35	22.86	22.66	22.74	22.17	22.51	21.55	23.32	23.41	23.30	20.17	21.19	20.08
		75	0	22.95	22.67	22.75	22.23	22.64	21.52	23.31	23.42	23.29	20.18	21.17	20.05
		1	0	20.91	20.79	20.90	20.63	<b>21.08</b>	19.74	21.39	21.43	21.43	18.27	19.22	18.23
		1	37	<b>21.09</b>	20.80	20.87	20.44	20.72	19.51	21.48	21.47	21.22	18.31	<b>19.39</b>	18.08
		1	74	21.05	20.70	20.92	20.22	20.53	19.63	21.51	<b>21.54</b>	21.52	18.33	19.38	18.14
	256QAM	36	0	20.95	20.66	20.75	20.43	20.81	19.55	21.30	21.37	21.30	18.21	19.21	18.11
		36	16	20.94	20.66	20.74	20.25	20.64	19.52	21.32	21.39	21.27	18.20	19.24	18.11
		36	35	20.84	20.66	20.73	20.17	20.51	19.53	21.32	21.40	21.26	18.21	19.22	18.10
		75	0	20.93	20.65	20.73	20.25	20.66	19.53	21.31	21.39	21.28	18.19	19.20	18.11

**OUTPUT POWER FOR LTE BAND 48 (20.0 MHz)**

Bandwidth (MHz)	Modulation	RB Allocation	RB Offset	Conducted Average (dBm)											
				ANT 7			ANT 8			ANT 9			ANT 4		
				55340	55990	56640	55340	55990	56640	55340	55990	56640	55340	55990	56640
20.0	QPSK	1	0	25.96	25.63	25.78	25.44	<b>26.00</b>	24.58	25.88	25.88	25.86	<b>24.20</b>	23.99	24.07
		1	49	<b>26.00</b>	25.68	25.80	25.16	25.56	24.42	25.90	<b>26.00</b>	25.89	24.11	24.00	24.14
		1	99	25.91	25.64	25.73	24.92	25.07	24.40	25.86	25.94	25.72	24.09	23.95	24.12
		50	0	25.35	25.06	25.15	24.65	25.17	23.86	25.28	25.31	25.22	23.20	23.06	23.16
		50	24	25.28	25.07	25.15	24.55	24.96	23.81	25.28	25.34	25.23	23.22	23.04	23.19
		50	49	25.29	25.04	25.14	24.46	24.74	23.80	25.29	25.35	25.18	23.17	23.04	23.16
	16QAM	100	0	24.83	24.61	24.70	24.56	24.94	23.84	25.25	25.32	25.22	23.08	22.91	23.02
		1	0	25.08	24.90	24.79	24.54	<b>25.13</b>	23.59	25.53	25.55	25.59	23.19	23.20	23.15
		1	49	<b>25.22</b>	25.10	25.04	24.57	24.98	23.73	<b>25.83</b>	25.73	25.67	<b>23.41</b>	23.38	23.40
		1	99	24.94	24.88	24.75	24.09	24.25	23.49	25.55	25.62	25.45	23.31	23.20	23.15
		50	0	23.92	23.63	23.76	23.24	23.73	22.45	24.27	24.33	24.23	22.11	21.93	22.03
		50	24	23.85	23.64	23.74	23.12	23.52	22.39	24.30	24.38	24.24	22.08	21.94	22.01
	64QAM	50	49	23.87	23.64	23.72	23.01	23.32	22.38	24.29	24.37	24.21	22.07	21.95	22.03
		100	0	23.82	23.62	23.73	23.15	23.54	22.38	24.27	24.36	24.20	22.08	21.92	22.02
		1	0	24.17	23.84	23.77	23.57	<b>24.22</b>	22.79	24.30	24.36	24.44	<b>22.32</b>	21.99	22.08
		1	49	<b>24.26</b>	23.80	24.09	23.14	23.74	22.66	24.41	<b>24.65</b>	24.40	22.29	22.11	22.10
		1	99	24.14	23.65	23.79	22.91	23.02	22.38	24.23	<b>24.65</b>	24.32	22.29	21.91	22.10
		50	0	22.93	22.64	22.76	22.24	22.73	21.44	23.27	23.34	23.22	21.12	20.93	21.02
	256QAM	50	24	22.86	22.67	22.71	22.13	22.55	21.40	23.31	23.39	23.23	21.13	20.95	21.07
		50	49	22.85	22.63	22.70	22.02	22.32	21.40	23.32	23.37	23.22	21.09	20.94	21.00
		100	0	22.88	22.64	22.73	22.11	22.53	21.41	23.27	23.37	23.21	21.08	20.94	21.02
		1	0	<b>21.09</b>	20.76	20.90	20.39	<b>21.12</b>	19.64	21.36	21.35	21.28	<b>19.30</b>	18.98	19.26
		1	49	21.06	20.65	20.78	20.23	20.67	19.54	21.43	21.37	21.34	19.19	18.95	19.09
		1	99	21.04	20.75	20.87	20.14	20.23	19.55	21.37	<b>21.54</b>	21.20	19.12	19.07	19.12
	256QAM	50	0	20.90	20.63	20.72	20.22	20.71	19.45	21.27	21.35	21.22	19.16	18.96	19.04
		50	24	20.85	20.64	20.72	20.12	20.54	19.40	21.30	21.39	21.26	19.16	18.97	19.09
		50	49	20.86	20.63	20.68	20.01	20.33	19.39	21.27	21.37	21.22	19.12	18.98	19.05
		100	0	20.84	20.63	20.71	20.12	20.53	19.42	21.27	21.36	21.22	19.13	18.95	19.05

**5G NR n48**

<b>Test Engineer ID:</b>	19210	<b>Test Date:</b>	4/24/2023
--------------------------	-------	-------------------	-----------

**OUTPUT POWER FOR 5G NR n48 (10.0 MHz)**

Bandwidth (MHz)	Modulation	RB Allocation	RB Offset	Conducted Average (dBm)											
				ANT 7			ANT 8			ANT 9			ANT 4		
				637000	641666	646333	637000	641666	646333	637000	641666	646333	637000	641666	646333
10.0	BPSK	1	0	3555.0	3625.0	3695.0	3555.0	3625.0	3695.0	3555.0	3625.0	3695.0	3555.0	3625.0	3695.0
		1	1	25.50	25.19	25.45	25.63	25.33	25.04	24.91	25.43	24.16	23.72	23.41	23.79
		1	22	<b>25.98</b>	<b>25.62</b>	25.92	25.90	<b>25.47</b>	<b>25.13</b>	25.32	<b>26.00</b>	<b>24.67</b>	23.94	<b>24.11</b>	24.04
		1	23	25.96	25.55	<b>26.00</b>	<b>26.00</b>	25.44	25.12	<b>25.75</b>	25.59	24.55	<b>24.02</b>	23.58	<b>24.20</b>
		12	6	25.47	25.09	25.40	25.77	25.28	24.78	25.31	25.06	24.18	23.64	23.39	23.83
		24	0	25.94	<b>25.62</b>	25.94	25.79	25.40	25.01	25.63	25.67	24.61	23.87	23.58	24.08
	QPSK	1	0	25.42	25.15	25.44	25.62	25.26	24.80	25.24	25.24	24.09	23.69	23.35	23.85
		1	1	24.47	24.22	24.58	25.16	24.81	24.39	24.43	24.92	23.65	23.10	22.81	23.26
		1	22	25.53	<b>25.29</b>	<b>25.57</b>	25.39	<b>25.16</b>	24.72	25.41	<b>25.90</b>	24.70	23.86	<b>23.59</b>	23.99
		1	23	25.54	25.25	25.52	<b>25.55</b>	25.01	<b>24.80</b>	<b>25.87</b>	25.52	<b>25.22</b>	<b>23.97</b>	23.47	<b>24.07</b>
		12	6	24.50	24.17	24.49	24.68	24.38	23.86	24.81	24.49	24.29	23.04	22.77	23.16
		24	0	<b>25.57</b>	25.20	25.53	25.38	25.03	24.53	25.68	25.72	25.16	23.78	23.44	23.88
	16QAM	1	0	24.48	24.19	24.54	24.61	24.31	24.09	24.64	24.71	24.15	23.04	22.81	23.18
		1	1	23.36	23.34	23.26	23.62	23.06	22.80	23.65	24.18	22.73	22.13	21.77	22.55
		1	22	24.37	<b>24.30</b>	24.11	24.79	<b>24.31</b>	<b>24.23</b>	24.75	<b>25.27</b>	23.72	<b>22.89</b>	<b>22.94</b>	<b>23.09</b>
		1	23	24.31	24.20	24.22	<b>24.93</b>	24.21	23.98	<b>24.97</b>	24.75	24.20	23.02	22.74	<b>23.33</b>
		12	6	23.37	23.12	23.04	23.50	22.98	22.94	23.97	23.59	23.29	22.20	21.77	22.38
		24	0	<b>24.39</b>	24.25	<b>24.38</b>	24.52	24.16	24.05	24.55	24.71	<b>24.23</b>	<b>23.06</b>	22.68	23.06
	64QAM	1	0	23.42	23.18	23.50	23.65	23.16	23.20	23.57	23.76	23.29	22.05	21.75	22.27
		1	1	<b>23.28</b>	22.92	<b>23.14</b>	23.30	22.95	22.83	22.88	23.38	21.98	21.36	20.91	21.49
		1	22	23.18	<b>22.96</b>	22.98	23.30	<b>23.03</b>	22.63	22.72	<b>23.41</b>	22.00	21.54	<b>21.36</b>	21.65
		1	23	23.19	22.90	23.03	<b>23.31</b>	22.95	<b>22.92</b>	23.15	23.02	<b>22.58</b>	<b>21.66</b>	21.22	21.48
		12	6	23.15	22.88	23.02	23.17	22.71	22.66	<b>23.28</b>	22.95	22.47	21.35	<b>21.36</b>	21.49
		24	0	23.10	22.80	23.07	23.18	22.77	22.86	23.18	23.28	22.54	21.57	21.23	21.59
	256QAM	1	0	23.05	22.75	23.02	23.18	22.82	22.87	23.13	23.27	22.54	21.51	21.33	<b>21.66</b>
		1	1	20.90	<b>20.81</b>	20.86	20.84	20.63	<b>20.67</b>	20.88	21.51	20.38	19.53	19.41	<b>19.61</b>
		1	22	20.92	20.71	20.87	20.93	20.61	20.38	20.91	<b>21.69</b>	20.36	<b>19.62</b>	19.12	19.53
		1	23	20.94	20.72	<b>21.04</b>	21.01	20.57	20.44	<b>21.35</b>	21.38	<b>20.82</b>	19.45	19.41	19.42
		12	6	20.97	20.71	20.78	20.72	<b>20.74</b>	20.35	21.31	21.13	20.76	19.43	19.39	19.37
		24	0	<b>21.00</b>	20.70	20.95	21.05	20.67	20.52	21.07	21.30	20.48	19.43	19.41	19.56

**OUTPUT POWER FOR 5G NR n48 (15.0 MHz)**

Bandwidth (MHz)	Modulation	RB Allocation	RB Offset	Conducted Average (dBm)											
				ANT 7			ANT 8			ANT 9			ANT 4		
				637166	641333	646166	637166	641333	646166	637166	641333	646166	637166	641333	646166
15.0	BPSK	1	0	3557.5	3620.0	3692.5	3557.5	3620.0	3692.5	3557.5	3620.0	3692.5	3557.5	3620.0	3692.5
		1	1	25.35	25.18	25.52	25.67	25.82	25.69	25.21	25.36	25.42	23.88	23.98	23.84
		1	36	25.86	<b>25.69</b>	<b>26.00</b>	25.76	<b>25.84</b>	25.79	25.62	<b>25.87</b>	<b>26.00</b>	<b>24.20</b>	<b>24.20</b>	24.05
		1	37	<b>25.90</b>	25.57	25.93	<b>25.80</b>	25.75	25.80	<b>25.82</b>	25.83	25.91	23.98	24.17	<b>24.12</b>
		18	9	25.37	25.10	25.45	25.56	25.71	<b>26.00</b>	25.29	25.25	25.35	23.78	23.59	23.84
		36	0	25.83	25.64	25.88	25.75	25.70	25.74	25.67	25.86	25.92	24.08	23.94	23.94
	QPSK	1	0	21.00	25.17	21.00	21.00	25.72	21.00	21.00	25.32	21.00	21.00	23.69	21.00
		1	1	24.39	24.37	24.57	25.27	<b>25.88</b>	<b>25.73</b>	24.65	24.93	24.92	23.38	23.10	23.29
		1	36	25.42	<b>25.43</b>	<b>25.57</b>	25.45	25.48	25.21	25.71	<b>25.90</b>	<b>25.90</b>	23.93	<b>23.96</b>	23.95
		1	37	<b>25.47</b>	25.18	25.56	<b>25.46</b>	25.41	25.36	<b>25.77</b>	25.89	25.85	<b>23.94</b>	23.84	<b>23.97</b>
		18	9	24.49	24.20	24.55	24.73	25.28	25.47	24.69	24.74	24.81	23.18	23.13	23.26
		36	0	25.40	25.24	25.50	25.21	25.30	25.22	25.72	<b>25.90</b>	25.82	23.87	23.75	23.85
	16QAM	1	0	20.50	24.22	21.00	21.00	25.29	20.27	19.83	24.81	19.84	18.24	23.10	18.26
		1	1	23.65	23.31	23.33	23.14	24.50	24.28	23.91	24.10	23.86	22.00	22.44	22.30
		1	36	<b>24.78</b>	<b>24.26</b>	24.40	<b>24.93</b>	25.33	25.13	25.00	<b>25.01</b>	24.89	23.08	22.91	22.96
		1	37	24.75	23.94	24.45	24.48	<b>25.57</b>	<b>25.30</b>	<b>25.04</b>	24.81	<b>25.11</b>	<b>23.34</b>	22.64	22.91
		18	9	23.69	22.90	23.34	23.84	24.33	24.10	24.08	23.65	23.67	21.96	21.91	22.23
		36	0	24.38	24.20	<b>24.51</b>	24.51	25.27	25.18	24.63	24.85	24.68	23.26	<b>23.13</b>	<b>23.21</b>
	64QAM	1	0	20.80	23.21	20.99	18.86	24.07	19.34	18.83	23.87	18.65	17.25	22.04	17.21
		1	1	23.10	<b>23.01</b>	23.10	23.01	23.51	23.57	23.35	<b>23.73</b>	23.69	21.63	<b>21.71</b>	<b>21.76</b>
		1	36	22.96	22.99	23.02	<b>23.26</b>	<b>23.81</b>	23.63	<b>23.36</b>	23.57	<b>23.70</b>	21.68	<b>21.71</b>	21.39
		1	37	23.02	22.76	23.04	23.14	23.68	23.57	23.29	23.50	23.55	21.54	21.52	21.40
		18	9	<b>23.28</b>	22.67	<b>23.11</b>	23.25	23.77	<b>23.79</b>	23.33	23.54	23.49	21.66	21.58	21.65
		36	0	23.05	22.81	23.02	23.15	23.69	23.71	23.12	23.26	23.29	<b>21.79</b>	21.54	21.64
	256QAM	1	0	20.80	22.78	20.46	18.38	23.65	18.73	18.30	23.35	18.20	16.68	21.64	16.80
		1	1	<b>21.14</b>	20.90	20.89	20.96	<b>22.22</b>	22.25	21.13	<b>21.66</b>	<b>21.29</b>	<b>19.68</b>	19.17	19.58
		1	36	21.04	<b>21.01</b>	20.81	20.76	22.07	22.10	21.10	21.55	21.27	19.48	19.34	19.60
		1	37	20.90	20.59	<b>20.91</b>	20.89	22.08	22.15	21.15	21.39	21.20	19.50	19.38	19.32
		18	9	20.88	20.79	20.89	<b>21.16</b>	21.63	21.69	21.08	21.24	21.15	19.64	<b>19.59</b>	<b>19.73</b>
		36	0	20.69	20.79	20.90	16.30	21.69	16.80	16.28	21.35	16.32	14.60	19.51	14.81

**OUTPUT POWER FOR 5G NR n48 (20.0 MHz)**

Bandwidth (MHz)	Modulation	RB Allocation	RB Offset	Conducted Average (dBm)											
				ANT 7			ANT 8			ANT 9			ANT 4		
				637333	641333	646000	637333	641333	646000	637333	641333	646000	637333	641333	646000
20.0	BPSK	1	0	25.16	25.38	25.43	25.04	25.28	25.46	25.15	25.47	25.55	23.30	23.97	23.30
		1	1	25.66	<b>26.00</b>	<b>25.95</b>	<b>25.34</b>	<b>25.50</b>	<b>26.00</b>	25.69	<b>25.96</b>	<b>26.00</b>	<b>23.64</b>	<b>24.20</b>	<b>23.69</b>
		1	49	25.68	25.44	25.88	25.26	25.19	25.48	<b>25.77</b>	25.79	25.93	23.50	23.98	23.51
		1	50	25.20	24.92	25.38	25.01	25.25	25.51	25.26	25.27	25.41	23.34	23.78	23.31
		25	12	<b>25.72</b>	25.79	25.83	25.25	25.26	25.47	25.75	25.67	25.84	23.52	23.77	23.45
		50	0	21.00	25.27	21.00	21.00	25.20	21.00	21.00	25.19	21.00	19.20	23.63	19.20
	QPSK	1	0	24.26	24.45	24.54	24.58	<b>25.36</b>	<b>25.68</b>	24.67	24.76	24.91	22.76	22.97	22.87
		1	1	25.27	<b>25.48</b>	<b>25.52</b>	24.83	25.06	25.14	25.67	<b>25.79</b>	<b>25.97</b>	23.45	<b>23.62</b>	23.65
		1	49	<b>25.30</b>	25.00	25.42	<b>24.91</b>	24.78	25.09	<b>25.71</b>	25.65	25.87	<b>23.49</b>	<b>23.38</b>	<b>23.69</b>
		1	50	24.29	24.01	24.43	24.00	24.91	25.07	24.66	24.59	24.87	22.81	22.77	22.82
		25	12	25.22	25.43	25.48	24.79	24.85	25.00	25.69	25.71	25.82	23.41	23.60	23.33
		50	0	20.08	24.29	20.07	20.10	24.74	20.58	20.47	24.66	20.41	18.59	22.87	18.57
	16QAM	1	0	23.14	23.56	23.58	23.16	24.02	23.88	23.60	23.76	23.84	21.34	22.07	22.03
		1	1	<b>24.15</b>	<b>24.71</b>	<b>24.33</b>	<b>24.43</b>	<b>24.98</b>	25.34	<b>24.52</b>	<b>24.74</b>	<b>24.83</b>	<b>22.86</b>	<b>22.85</b>	<b>22.95</b>
		1	49	<b>24.15</b>	24.17	24.25	24.10	24.58	<b>25.57</b>	<b>24.73</b>	24.39	24.66	22.60	22.76	22.60
		1	50	23.25	23.10	23.29	23.01	23.79	24.06	23.57	23.40	23.39	21.75	22.08	21.77
		25	12	24.13	24.38	24.23	24.10	24.76	25.07	24.52	24.70	24.80	22.70	<b>22.86</b>	22.58
		50	0	19.09	23.43	18.83	19.07	23.76	19.42	19.38	23.68	19.41	17.71	21.98	17.52
	64QAM	1	0	22.79	<b>23.36</b>	<b>22.97</b>	<b>22.75</b>	<b>23.25</b>	<b>23.39</b>	<b>23.23</b>	<b>23.54</b>	<b>23.47</b>	21.25	<b>21.37</b>	<b>21.37</b>
		1	1	<b>22.84</b>	23.30	22.72	22.71	23.06	23.43	23.23	<b>23.84</b>	<b>23.60</b>	21.30	<b>21.63</b>	21.23
		1	49	22.81	22.92	22.74	22.68	22.97	<b>23.56</b>	<b>23.32</b>	23.55	23.47	<b>21.44</b>	21.13	21.29
		1	50	<b>22.84</b>	22.79	22.84	22.68	22.91	23.44	23.25	23.52	23.33	21.03	21.03	21.05
		25	12	22.72	23.02	22.88	22.57	<b>23.36</b>	23.53	23.13	23.19	23.29	21.15	21.20	21.21
		50	0	18.63	23.02	18.60	18.58	23.25	19.02	18.93	23.24	18.92	17.09	21.04	16.98
	256QAM	1	0	<b>20.88</b>	20.64	20.69	20.47	21.59	21.76	20.93	21.07	21.48	19.05	<b>19.26</b>	18.81
		1	1	20.67	20.79	20.83	<b>20.58</b>	<b>21.64</b>	<b>21.89</b>	21.11	21.16	<b>21.50</b>	19.11	19.05	<b>19.21</b>
		1	49	20.67	20.30	20.69	20.47	<b>21.43</b>	<b>21.62</b>	21.08	21.08	21.37	<b>19.35</b>	18.83	18.90
		1	50	20.55	20.34	20.66	20.42	21.48	21.76	<b>21.20</b>	21.12	21.15	19.20	19.01	18.98
		25	12	20.65	<b>20.88</b>	<b>20.94</b>	20.57	21.25	21.52	21.10	<b>21.41</b>	21.25	19.26	19.08	19.17
		50	0	16.57	20.85	16.64	16.54	21.22	17.03	16.99	<b>21.41</b>	16.88	15.12	19.14	14.96

**OUTPUT POWER FOR 5G NR n48 (30.0 MHz)**

Bandwidth (MHz)	Modulation	RB Allocation	RB Offset	Conducted Average (dBm)											
				ANT 7			ANT 8			ANT 9			ANT 4		
				637666	641666	645666	637666	641666	645666	637666	641666	645666	637666	641666	645666
30.0	BPSK	1	0	24.24	25.28	25.04	25.67	25.66	25.88	24.35	25.36	25.09	23.02	23.85	23.68
		1	1	<b>24.88</b>	<b>26.00</b>	25.41	<b>25.75</b>	<b>25.81</b>	<b>25.80</b>	<b>24.87</b>	<b>26.00</b>	<b>25.64</b>	<b>23.15</b>	<b>24.20</b>	<b>23.65</b>
		1	76	24.60	25.40	<b>25.71</b>	25.67	25.58	25.88	24.80	25.55	25.45	23.02	23.64	<b>23.91</b>
		1	77	24.14	24.91	25.08	25.50	25.64	<b>26.00</b>	24.27	25.07	24.93	22.81	23.53	23.75
		36	18	24.75	25.53	25.43	25.66	25.43	25.83	24.86	25.76	25.54	23.01	23.85	23.75
		75	0	19.00	25.11	19.00	19.00	25.41	19.00	19.00	25.24	19.00	17.20	23.64	17.20
	QPSK	1	0	23.31	24.37	24.21	25.14	<b>25.47</b>	<b>25.75</b>	23.92	25.04	24.59	22.31	23.36	22.86
		1	1	<b>24.34</b>	<b>25.57</b>	25.09	25.29	25.00	25.29	<b>24.95</b>	<b>25.86</b>	<b>25.73</b>	<b>23.04</b>	<b>24.07</b>	23.76
		1	76	24.19	25.16	<b>25.17</b>	<b>25.38</b>	25.17	25.51	24.88	25.69	25.55	23.02	23.61	<b>23.92</b>
		1	77	23.11	24.17	24.16	24.48	25.14	25.46	23.75	24.67	24.47	22.23	22.92	23.27
		36	18	24.14	25.34	25.01	25.19	25.03	25.40	24.81	25.76	25.50	22.84	23.76	23.62
		75	0	17.91	24.38	18.01	18.07	24.96	18.52	18.44	24.77	18.46	16.71	23.03	16.58
	16QAM	1	0	22.10	23.90	23.21	23.51	24.08	24.53	22.89	23.87	23.73	21.05	22.34	21.99
		1	1	22.89	<b>24.98</b>	24.03	24.47	<b>25.50</b>	25.39	23.94	<b>24.96</b>	<b>24.70</b>	<b>22.33</b>	<b>23.41</b>	23.18
		1	76	22.71	24.36	<b>24.11</b>	24.57	25.42	<b>25.40</b>	<b>24.00</b>	24.70	24.43	21.97	22.99	<b>23.28</b>
		1	77	21.52	23.44	23.12	22.89	24.06	24.65	22.92	23.54	23.63	21.20	21.96	22.42
		36	18	<b>23.15</b>	24.39	24.02	<b>24.58</b>	24.99	25.38	23.79	24.79	24.50	22.16	23.09	23.06
		75	0	16.98	23.43	17.07	16.98	23.95	17.57	17.33	23.82	17.41	15.67	22.03	15.58
	64QAM	1	0	<b>21.99</b>	23.33	23.11	23.21	23.40	<b>23.94</b>	22.32	<b>23.60</b>	<b>23.47</b>	20.71	21.54	21.31
		1	1	21.85	<b>23.38</b>	23.09	23.16	23.27	23.44	<b>22.39</b>	23.53	23.22	20.51	<b>21.84</b>	21.40
		1	76	21.61	22.77	<b>23.16</b>	23.13	23.43	23.86	22.29	23.13	23.29	<b>20.82</b>	20.98	21.56
		1	77	21.67	22.74	23.09	<b>23.30</b>	23.46	23.88	22.05	23.22	23.35	20.54	21.11	21.60
		36	18	21.72	22.95	22.59	23.10	23.35	23.85	22.22	23.33	22.99	20.79	21.66	<b>21.63</b>
		75	0	16.46	22.89	16.62	16.56	<b>23.49</b>	17.05	16.81	23.31	16.91	15.17	21.53	15.07
	256QAM	1	0	<b>19.87</b>	<b>21.31</b>	20.89	21.00	21.80	21.96	<b>20.23</b>	<b>21.36</b>	<b>21.41</b>	<b>18.71</b>	<b>19.59</b>	18.88
		1	1	19.76	21.27	20.76	20.81	21.79	21.92	20.11	21.07	21.13	18.55	19.54	19.27
		1	76	19.36	20.83	20.50	20.77	<b>21.91</b>	<b>22.18</b>	19.92	20.62	21.17	18.53	19.21	<b>19.59</b>
		1	77	19.58	20.57	<b>20.93</b>	20.73	21.78	22.10	20.08	21.03	20.77	18.58	19.28	19.22
		36	18	19.63	20.86	20.55	<b>21.06</b>	21.47	21.82	20.14	21.30	20.94	18.60	19.49	19.44
		75	0	14.36	20.81	14.59	14.46	21.44	14.92	14.77	21.24	14.78	13.13	19.50	13.03

**OUTPUT POWER FOR 5G NR n48 (40.0 MHz)**

Bandwidth (MHz)	Modulation	RB Allocation	RB Offset	Conducted Average (dBm)											
				ANT 7			ANT 8			ANT 9			ANT 4		
				638000	641333	645333	638000	641333	645333	638000	641333	645333	638000	641333	645333
40.0	BPSK	1	0	25.37	24.65	24.74	25.83	24.70	24.88	25.47	25.17	24.81	22.40	24.20	23.00
		1	1	26.00	25.31	25.19	26.00	24.75	24.96	26.00	25.69	25.12	22.52	23.56	22.81
		1	104	25.94	24.86	25.40	25.46	24.75	25.29	24.63	24.99	24.97	22.44	21.26	21.18
		1	105	25.48	24.24	24.93	25.39	25.01	25.28	24.15	24.42	24.38	22.38	21.28	21.35
		50	25	25.89	25.25	25.16	25.71	24.59	25.07	24.84	25.19	24.13	20.95	21.74	21.19
		100	0	19.00	24.61	19.00	19.00	24.60	19.00	19.00	24.72	19.00	17.20	22.04	17.20
	QPSK	1	0	24.38	23.66	23.88	25.26	24.61	25.05	24.94	24.60	24.02	22.49	24.13	22.85
		1	1	25.52	24.72	24.81	25.56	24.31	24.56	26.00	25.63	24.97	22.29	23.77	22.69
		1	104	25.57	24.14	25.03	25.06	24.60	24.86	24.75	24.88	24.70	22.37	21.13	21.16
		1	105	24.46	23.19	23.95	24.52	24.56	25.01	23.70	23.88	23.83	22.44	21.20	21.16
		50	25	25.47	24.72	24.81	25.19	24.25	24.70	24.86	25.06	24.10	20.84	21.57	20.94
		100	0	18.05	23.60	18.12	18.17	24.22	18.58	18.55	24.11	18.47	17.05	21.91	17.09
	16QAM	1	0	23.87	22.08	23.18	23.89	23.70	23.72	23.68	23.74	23.12	22.64	24.07	22.49
		1	1	24.73	23.46	24.15	24.70	24.50	24.06	24.74	24.53	24.09	22.24	23.91	22.54
		1	104	24.82	22.92	24.37	24.04	24.54	24.96	23.34	23.96	24.15	22.41	21.08	20.83
		1	105	23.72	22.04	23.21	23.41	23.44	23.84	22.41	23.02	22.88	22.59	21.45	21.09
		50	25	24.38	23.67	23.87	24.52	24.29	24.61	23.86	24.10	22.93	21.07	21.65	20.96
		100	0	17.00	22.62	17.12	17.09	23.32	17.54	17.52	23.12	17.50	17.20	21.90	17.10
	64QAM	1	0	23.02	22.06	22.62	23.42	22.82	23.00	23.56	23.39	22.31	22.54	23.64	22.36
		1	1	22.72	22.02	22.40	23.42	22.38	23.29	23.69	23.46	22.17	22.79	23.66	22.43
		1	104	22.85	21.58	22.73	23.64	23.13	23.21	22.01	22.75	21.41	22.52	21.21	21.07
		1	105	23.17	21.78	22.43	23.06	22.70	23.29	22.31	22.62	21.18	22.53	20.94	20.89
		50	25	22.86	22.46	22.47	23.00	22.69	23.15	22.35	22.69	20.93	20.55	21.60	21.06
		100	0	16.47	22.25	16.68	16.67	22.69	17.11	17.04	22.68	16.30	16.96	21.88	17.12
	256QAM	1	0	20.64	19.87	20.24	21.25	21.06	21.10	21.37	21.25	20.35	20.27	21.17	20.38
		1	1	20.86	20.01	20.16	21.10	21.29	21.05	21.51	21.38	20.34	20.33	21.14	20.63
		1	104	20.96	19.83	20.29	20.76	21.10	21.68	20.30	20.43	18.87	20.07	18.45	19.13
		1	105	21.10	19.82	20.36	20.56	21.18	21.43	20.38	20.42	19.31	20.07	18.76	19.04
		50	25	20.82	20.27	20.34	21.01	20.67	21.14	20.41	20.62	19.03	18.89	19.84	19.16
		100	0	14.32	20.30	14.56	14.67	20.72	15.03	15.06	20.66	14.43	15.10	20.23	15.23

### 8.12. LTE BAND 66 AND 5G NR n66

#### LTE BAND 66

Test Engineer ID:	19210	Test Date:	4/4/2023
-------------------	-------	------------	----------

#### OUTPUT POWER FOR LTE BAND 66 (1.4 MHz)

Bandwidth (MHz)	Modulation	RB Allocation	RB Offset	Conducted Average (dBm)											
				ANT 1			ANT 2			ANT 3			ANT 4		
				131979	132322	132665	131979	132322	132665	131979	132322	132665	131979	132322	132665
1.4	QPSK	1	0	25.63	25.57	25.59	25.60	25.28	25.56	25.32	25.46	25.38	24.85	25.20	24.99
		1	2	25.67	25.61	25.58	25.70	25.33	25.59	25.32	25.43	25.43	24.87	25.19	25.04
		1	5	25.66	25.63	25.60	25.64	25.27	25.49	25.31	25.50	25.34	24.87	25.18	25.00
		3	0	25.65	25.59	25.58	25.61	25.24	25.53	25.31	25.43	25.34	24.91	25.17	25.03
		3	1	25.67	25.63	25.59	25.61	25.28	25.56	25.34	25.45	25.36	24.86	25.20	25.08
		3	2	25.70	25.64	25.59	25.61	25.29	25.54	25.33	25.45	25.37	24.86	25.20	25.04
	16QAM	6	0	24.53	24.44	24.42	24.89	24.56	24.81	24.41	24.51	24.45	23.76	24.02	23.91
		1	0	24.87	24.83	24.65	24.74	24.22	24.51	24.53	24.73	24.64	23.91	24.24	24.11
		1	2	24.92	24.88	24.67	24.72	24.36	24.58	24.54	24.71	24.74	23.94	24.25	24.11
		1	5	24.85	24.81	24.62	24.68	24.32	24.56	24.57	24.70	24.67	23.94	24.24	24.07
		3	0	24.74	24.66	24.65	24.60	24.29	24.54	24.52	24.64	24.56	23.69	24.17	24.03
		3	1	24.70	24.70	24.63	24.55	24.28	24.56	24.52	24.65	24.55	23.78	24.18	24.03
	64QAM	3	2	24.71	24.66	24.69	24.61	24.28	24.55	24.51	24.66	24.53	23.76	24.14	24.03
		6	0	23.55	23.50	23.46	23.55	23.18	23.44	23.50	23.57	23.51	22.80	23.09	22.91
		1	0	23.75	23.69	23.71	23.65	23.38	23.60	23.58	23.72	23.66	22.86	23.21	23.10
		1	2	23.72	23.74	23.77	23.68	23.41	23.58	23.58	23.81	23.71	22.90	23.23	23.15
		1	5	23.68	23.62	23.71	23.62	23.40	23.55	23.60	23.73	23.55	22.92	23.21	23.02
		3	0	23.60	23.58	23.52	23.57	23.25	23.44	23.45	23.66	23.50	22.77	23.12	22.97
	256QAM	3	1	23.60	23.61	23.52	23.59	23.27	23.44	23.50	23.67	23.53	22.84	23.12	22.97
		3	2	23.62	23.61	23.54	23.56	23.29	23.43	23.49	23.66	23.51	22.82	23.11	22.98
		6	0	22.50	22.43	22.43	22.46	22.15	22.36	22.40	22.50	22.46	21.71	22.12	21.91
		1	0	20.51	20.60	20.49	20.38	20.24	20.41	20.61	20.61	20.57	19.77	20.13	19.92
		1	2	20.55	20.60	20.50	20.60	20.22	20.48	20.67	20.71	20.58	19.85	20.29	19.96
		1	5	20.47	20.52	20.47	20.57	20.21	20.45	20.57	20.66	20.48	19.88	20.17	19.79

#### OUTPUT POWER FOR LTE BAND 66 (3.0 MHz)

Bandwidth (MHz)	Modulation	RB Allocation	RB Offset	Conducted Average (dBm)											
				ANT 1			ANT 2			ANT 3			ANT 4		
				131987	132322	132657	131987	132322	132657	131987	132322	132657	131987	132322	132657
3.0	QPSK	1	0	25.55	25.54	25.56	25.58	25.48	25.62	25.26	25.36	25.34	24.77	25.06	25.13
		1	7	25.70	25.65	25.66	25.69	25.66	25.69	25.41	25.50	25.44	24.84	25.16	25.20
		1	14	25.57	25.56	25.57	25.61	25.52	25.70	25.28	25.42	25.33	24.80	25.07	25.09
		8	0	24.98	24.95	24.98	24.96	24.87	25.01	24.44	24.56	24.50	23.83	24.09	24.14
		8	4	24.98	24.95	24.98	25.00	24.92	25.05	24.47	24.60	24.53	23.86	24.15	24.18
		8	7	24.97	24.94	24.98	25.03	24.88	25.07	24.49	24.59	24.52	23.86	24.14	24.17
	16QAM	15	0	24.54	24.50	24.51	24.98	24.88	25.04	24.42	24.55	24.47	23.69	24.00	23.98
		1	0	24.82	24.75	24.79	24.62	24.59	24.78	24.56	24.59	24.62	23.74	24.09	24.29
		1	7	24.85	24.83	24.86	24.73	24.67	24.85	24.66	24.75	24.65	23.84	24.21	24.21
		1	14	24.79	24.75	24.74	24.69	24.55	24.68	24.44	24.66	24.60	23.82	24.12	24.13
		8	0	23.57	23.55	23.60	23.63	23.49	23.60	23.49	23.59	23.53	22.69	23.01	23.03
		8	4	23.64	23.60	23.65	23.63	23.53	23.61	23.53	23.61	23.58	22.75	23.04	23.07
	64QAM	8	7	23.62	23.60	23.62	23.63	23.52	23.61	23.53	23.63	23.55	22.72	23.03	23.06
		15	0	23.60	23.53	23.57	23.57	23.43	23.62	23.46	23.56	23.50	22.71	23.02	23.02
		1	0	23.71	23.67	23.76	23.85	23.66	23.79	23.53	23.64	23.70	22.84	23.16	23.06
		1	7	23.86	23.72	23.84	23.88	23.75	23.86	23.66	23.73	23.76	23.01	23.34	23.21
		1	14	23.79	23.60	23.73	23.77	23.69	23.79	23.58	23.65	23.65	22.89	23.18	23.04
		8	0	22.56	22.54	22.55	22.58	22.49	22.62	22.49	22.59	22.55	21.76	22.02	22.04
	256QAM	8	4	22.59	22.56	22.61	22.63	22.52	22.67	22.51	22.63	22.57	21.80	22.03	22.06
		8	7	22.59	22.54	22.59	22.62	22.52	22.64	22.53	22.63	22.59	21.79	22.05	22.04
		15	0	22.54	22.51	22.53	22.58	22.48	22.61	22.46	22.59	22.53	21.68	22.01	22.02
		1	0	20.47	20.51	20.55	20.50	20.44	20.61	20.44	20.58	20.68	19.64	19.94	20.09
		1	7	20.64	20.72	20.61	20.62	20.61	20.71	20.63	20.81	20.71	19.85	20.13	20.17
		1	14	20.58	20.62	20.49	20.54	20.53	20.56	20.54	20.68	20.57	19.76	20.04	20.03

**OUTPUT POWER FOR LTE BAND 66 (5.0 MHz)**

Bandwidth (MHz)	Modulation	RB Allocation	RB Offset	Conducted Average (dBm)											
				ANT 1			ANT 2			ANT 3			ANT 4		
				131997 1712.5	132322 1745.0	132647 1777.5	131997 1712.5	132322 1745.0	132647 1777.5	131997 1712.5	132322 1745.0	132647 1777.5	131997 1712.5	132322 1745.0	132647 1777.5
5.0	QPSK	1	0	25.56	25.49	25.54	25.55	25.24	25.56	25.24	25.36	25.34	24.81	25.13	25.04
		1	12	<b>25.70</b>	25.64	25.63	25.69	25.37	<b>25.70</b>	25.38	<b>25.50</b>	25.48	24.95	<b>25.20</b>	25.05
		1	24	25.55	25.53	25.54	25.53	25.30	25.52	25.26	25.38	25.29	24.88	25.13	25.02
		12	0	24.92	24.86	24.87	24.92	24.61	24.87	24.41	24.55	24.50	23.84	24.07	24.01
		12	6	24.95	24.93	24.92	24.94	24.65	24.88	24.46	24.57	24.50	23.90	24.19	24.04
		12	11	24.91	24.89	24.89	24.90	24.62	24.84	24.41	24.55	24.47	23.86	24.16	24.01
		25	0	24.51	24.45	24.45	24.92	24.61	24.84	24.41	24.52	24.46	23.76	24.00	23.86
	16QAM	1	0	24.60	24.60	24.63	24.59	24.35	24.59	24.54	24.66	24.62	23.91	24.17	24.05
		1	12	<b>24.76</b>	24.73	24.74	<b>24.71</b>	24.47	24.66	24.65	<b>24.79</b>	24.76	24.02	<b>24.25</b>	24.05
		1	24	24.57	24.66	24.59	24.61	24.41	24.60	24.60	24.69	24.67	23.92	<b>24.25</b>	24.06
		12	0	23.43	23.49	23.44	23.47	23.21	23.48	23.49	23.59	23.53	22.74	22.99	22.98
		12	6	23.42	23.53	23.48	23.47	23.23	23.53	23.54	23.61	23.55	22.80	23.12	23.03
		12	11	23.40	23.48	23.44	23.43	23.22	23.48	23.47	23.58	23.50	22.77	23.05	23.01
		25	0	23.47	23.44	23.46	23.46	23.17	23.42	23.42	23.55	23.49	22.76	23.05	22.93
	64QAM	1	0	23.51	23.53	23.45	23.53	23.22	23.48	23.48	23.58	23.56	22.68	23.11	22.96
		1	12	23.62	<b>23.64</b>	23.48	23.63	23.26	23.49	23.52	<b>23.70</b>	23.59	22.82	<b>23.21</b>	23.03
		1	24	23.52	23.55	23.41	23.54	23.22	23.46	23.43	23.63	23.53	22.81	23.10	23.03
		12	0	22.48	22.51	22.49	22.47	22.20	22.40	22.43	22.55	22.49	21.73	21.97	21.85
		12	6	22.54	22.53	22.51	22.52	22.23	22.45	22.48	22.59	22.54	21.79	22.10	21.91
		12	11	22.49	22.51	22.49	22.46	22.23	22.41	22.42	22.56	22.49	21.73	22.06	21.86
		25	0	22.46	22.47	22.47	22.47	22.16	22.38	22.42	22.56	22.47	21.73	22.04	21.86
	256QAM	1	0	20.54	20.46	20.56	20.47	20.20	20.49	20.47	20.49	20.60	19.64	20.04	19.86
		1	12	<b>20.69</b>	20.59	20.67	<b>20.61</b>	20.23	20.53	20.63	<b>20.70</b>	20.67	19.89	<b>20.11</b>	19.95
		1	24	20.52	20.52	20.46	20.49	20.14	20.42	20.48	20.59	20.56	19.77	20.06	19.85
		12	0	20.48	20.49	20.47	20.41	20.16	20.39	20.39	20.56	20.48	19.71	19.96	19.86
12		6	20.50	20.50	20.48	20.48	20.20	20.42	20.44	20.56	20.50	19.75	20.06	19.89	
12		11	20.45	20.46	20.45	20.40	20.15	20.35	20.41	20.55	20.46	19.74	20.02	19.86	
25		0	20.47	20.44	20.43	20.43	20.13	20.37	20.39	20.54	20.45	19.71	20.04	19.84	

**OUTPUT POWER FOR LTE BAND 66 (10.0 MHz)**

Bandwidth (MHz)	Modulation	RB Allocation	RB Offset	Conducted Average (dBm)											
				ANT 1			ANT 2			ANT 3			ANT 4		
				132022 1715.0	132322 1745.0	132622 1775.0	132022 1715.0	132322 1745.0	132622 1775.0	132022 1715.0	132322 1745.0	132622 1775.0	132022 1715.0	132322 1745.0	132622 1775.0
10.0	QPSK	1	0	25.64	25.59	25.64	25.69	25.35	25.57	25.33	25.44	25.40	24.83	25.17	24.98
		1	24	25.64	25.67	<b>25.70</b>	<b>25.70</b>	25.54	25.62	25.40	<b>25.50</b>	25.43	24.96	<b>25.20</b>	25.06
		1	49	25.62	25.64	25.62	25.59	25.53	25.52	25.32	25.38	25.38	24.91	25.08	25.01
		25	0	25.00	24.87	24.89	24.99	24.82	24.83	24.40	24.51	24.48	23.80	24.13	23.95
		25	12	25.00	24.98	24.90	25.00	24.85	24.81	24.51	24.65	24.49	23.91	24.18	23.95
		25	24	24.97	24.93	24.97	24.94	24.82	24.85	24.48	24.56	24.53	23.93	24.15	24.00
		50	0	24.57	24.51	24.46	25.00	24.79	24.81	24.49	24.59	24.46	23.77	24.05	23.79
	16QAM	1	0	<b>24.77</b>	24.58	24.70	<b>24.74</b>	24.49	24.59	24.59	24.74	24.67	23.86	24.16	24.01
		1	24	24.69	24.67	24.70	24.73	24.54	24.64	24.59	<b>24.77</b>	24.66	23.95	<b>24.25</b>	23.96
		1	49	24.65	24.64	24.60	24.65	24.53	24.60	24.64	24.70	24.62	23.88	24.10	23.97
		25	0	23.58	23.47	23.49	23.57	23.37	23.35	23.43	23.54	23.49	22.65	22.99	22.81
		25	12	23.61	23.56	23.49	23.58	23.38	23.39	23.51	23.62	23.48	22.79	23.08	22.85
		25	24	23.53	23.52	23.52	23.52	23.37	23.41	23.49	23.58	23.54	22.77	23.02	22.89
		50	0	23.56	23.52	23.46	23.54	23.35	23.39	23.46	23.60	23.47	22.76	23.03	22.79
	64QAM	1	0	23.67	23.63	23.67	<b>23.82</b>	23.52	23.64	23.60	23.76	23.83	22.93	23.26	22.74
		1	24	23.72	23.72	23.70	<b>23.82</b>	23.61	23.74	23.65	23.83	<b>23.85</b>	22.95	<b>23.31</b>	22.79
		1	49	23.64	23.74	<b>23.75</b>	23.68	23.58	23.61	23.61	23.69	23.73	22.92	23.22	22.76
		25	0	22.57	22.45	22.46	22.56	22.37	22.36	22.43	22.53	22.49	21.67	21.98	21.66
		25	12	22.59	22.55	22.49	22.59	22.41	22.39	22.53	22.67	22.50	21.77	22.08	21.68
		25	24	22.50	22.54	22.53	22.49	22.37	22.40	22.48	22.60	22.53	21.76	22.02	21.75
		50	0	22.53	22.54	22.45	22.52	22.37	22.35	22.50	22.60	22.47	21.76	22.05	21.68
	256QAM	1	0	20.55	20.51	20.60	20.60	20.34	20.43	20.50	20.58	20.58	19.74	20.03	19.74
		1	24	<b>20.69</b>	20.63	<b>20.69</b>	<b>20.70</b>	20.46	20.54	20.58	<b>20.74</b>	20.68	19.92	<b>20.12</b>	19.88
		1	49	20.60	20.63	20.62	20.61	20.43	20.49	20.54	20.56	20.60	19.88	20.04	19.74
		25	0	20.53	20.46	20.47	20.53	20.34	20.36	20.43	20.55	20.48	19.65	19.97	19.62
25		12	20.55	20.57	20.48	20.53	20.37	20.37	20.54	20.66	20.50	19.77	20.08	19.64	
25		24	20.49	20.55	20.53	20.48	20.34	20.40	20.49	20.60	20.54	19.76	20.04	19.71	
50		0	20.52	20.52	20.46	20.50	20.33	20.33	20.49	20.58	20.45	19.74	20.04	19.62	



**OUTPUT POWER FOR LTE BAND 66 (15.0 MHz)**

Bandwidth (MHz)	Modulation	RB Allocation	RB Offset	Conducted Average (dBm)											
				ANT 1			ANT 2			ANT 3			ANT 4		
				132047	132322	132597	132047	132322	132597	132047	132322	132597	132047	132322	132597
15.0	QPSK	1	0	25.65	25.60	25.67	25.70	25.57	25.64	25.44	25.50	25.49	24.89	25.20	25.05
		1	37	25.64	25.63	25.65	25.64	25.61	25.67	25.39	25.50	25.46	25.01	25.18	25.02
		1	74	25.69	25.70	25.56	25.69	25.67	25.57	25.41	25.41	25.38	25.08	25.16	24.94
		36	0	24.96	24.91	24.98	24.99	24.87	24.96	24.51	24.61	24.57	23.94	24.16	24.00
		36	16	25.00	24.97	24.96	25.03	24.94	24.93	24.55	24.70	24.54	24.01	24.22	24.07
		36	35	24.96	24.99	25.01	24.99	24.95	24.98	24.54	24.66	24.61	24.04	24.20	24.04
		75	0	24.54	24.54	24.51	25.02	24.94	24.94	24.54	24.64	24.51	23.88	24.02	23.92
	16QAM	1	0	24.81	24.67	24.80	24.89	24.69	24.80	24.73	24.84	24.78	24.05	24.31	24.11
		1	37	24.79	24.76	24.81	24.79	24.70	24.87	24.74	24.89	24.80	24.05	24.30	24.06
		1	74	24.74	24.77	24.68	24.86	24.82	24.73	24.76	24.71	24.66	24.16	24.34	24.08
		36	0	23.53	23.49	23.56	23.58	23.46	23.55	23.52	23.63	23.60	22.80	23.07	22.96
		36	16	23.59	23.56	23.53	23.60	23.53	23.54	23.57	23.70	23.56	22.89	23.13	23.02
		36	35	23.55	23.56	23.58	23.59	23.53	23.59	23.56	23.66	23.60	22.89	23.06	23.00
		75	0	23.58	23.55	23.52	23.60	23.53	23.53	23.55	23.68	23.56	22.88	23.00	23.00
	64QAM	1	0	23.79	23.70	23.72	23.86	23.74	23.76	23.71	23.87	23.83	22.94	23.34	23.16
		1	37	23.75	23.74	23.74	23.82	23.78	23.74	23.67	23.92	23.86	23.08	23.35	23.20
		1	74	23.74	23.76	23.66	23.78	23.82	23.69	23.74	23.95	23.73	23.21	23.33	23.19
		36	0	22.53	22.50	22.55	22.52	22.45	22.54	22.50	22.63	22.60	21.78	22.02	21.96
		36	16	22.56	22.57	22.54	22.57	22.51	22.51	22.58	22.71	22.54	21.88	22.10	22.01
		36	35	22.56	22.57	22.58	22.54	22.50	22.54	22.54	22.67	22.60	21.86	22.04	21.96
		75	0	22.59	22.56	22.54	22.57	22.49	22.50	22.59	22.69	22.57	21.86	22.02	22.00
	256QAM	1	0	20.61	20.60	20.63	20.66	20.55	20.60	20.65	20.72	20.67	19.84	20.03	19.99
		1	37	20.60	20.66	20.72	20.71	20.63	20.64	20.68	20.85	20.70	19.87	20.08	20.03
		1	74	20.66	20.72	20.68	20.66	20.65	20.63	20.70	20.80	20.67	20.00	20.10	20.10
		36	0	20.50	20.49	20.56	20.52	20.43	20.52	20.53	20.65	20.58	19.78	19.99	19.93
		36	16	20.56	20.56	20.55	20.53	20.49	20.49	20.58	20.70	20.54	19.86	20.05	19.98
		36	35	20.51	20.55	20.58	20.52	20.49	20.53	20.57	20.67	20.58	19.87	20.03	19.96
		75	0	20.56	20.57	20.54	20.52	20.50	20.48	20.58	20.67	20.53	19.87	19.99	19.98

**OUTPUT POWER FOR LTE BAND 66 (20.0 MHz)**

Bandwidth (MHz)	Modulation	RB Allocation	RB Offset	Conducted Average (dBm)											
				ANT 1			ANT 2			ANT 3			ANT 4		
				132072	132322	132572	132072	132322	132572	132072	132322	132572	132072	132322	132572
20.0	QPSK	1	0	25.69	25.69	25.68	25.70	25.58	25.38	25.23	25.23	25.50	24.95	25.20	24.94
		1	49	25.64	25.61	25.62	25.59	25.57	25.38	25.16	25.30	25.45	24.95	25.17	24.95
		1	99	25.66	25.70	25.58	25.64	25.63	25.30	25.22	25.33	25.39	24.89	25.12	25.09
		50	0	24.95	24.95	24.96	24.93	24.85	24.73	24.27	24.36	24.65	23.94	24.15	23.98
		50	24	25.01	25.02	24.96	24.98	24.94	24.73	24.34	24.45	24.64	23.99	24.20	24.08
		50	49	24.97	25.00	24.99	24.94	24.94	24.78	24.33	24.43	24.68	23.97	24.16	24.07
		100	0	24.56	24.57	24.49	24.98	24.93	24.70	24.36	24.41	24.62	23.76	23.97	23.92
	16QAM	1	0	24.78	24.74	24.72	24.71	24.63	24.36	24.52	24.54	24.83	23.96	24.28	24.02
		1	49	24.90	24.92	24.74	24.74	24.65	24.53	24.62	24.72	24.89	24.01	24.30	24.13
		1	99	24.72	24.77	24.52	24.62	24.68	24.34	24.50	24.61	24.72	23.88	24.17	24.12
		50	0	23.53	23.50	23.54	23.51	23.43	23.32	23.29	23.35	23.64	22.77	23.03	22.84
		50	24	23.57	23.58	23.52	23.57	23.52	23.31	23.35	23.44	23.65	22.83	23.09	22.92
		50	49	23.55	23.59	23.55	23.53	23.51	23.35	23.36	23.41	23.70	22.81	23.02	22.94
		100	0	23.59	23.58	23.50	23.55	23.49	23.27	23.37	23.43	23.62	22.77	22.97	22.93
	64QAM	1	0	23.78	23.70	23.66	23.72	23.59	23.47	23.49	23.53	23.78	23.04	23.23	23.00
		1	49	23.75	23.76	23.77	23.59	23.63	23.44	23.60	23.62	23.88	22.98	23.26	23.05
		1	99	23.66	23.75	23.62	23.60	23.67	23.36	23.52	23.58	23.71	22.90	23.17	23.14
		50	0	22.51	22.48	22.53	22.43	22.40	22.34	22.29	22.38	22.67	21.80	22.01	21.80
		50	24	22.57	22.58	22.52	22.51	22.50	22.35	22.38	22.46	22.67	21.87	22.08	21.92
		50	49	22.51	22.57	22.56	22.46	22.48	22.39	22.36	22.42	22.71	21.85	22.00	21.92
		100	0	22.56	22.57	22.52	22.51	22.48	22.35	22.35	22.44	22.64	21.77	21.97	21.91
	256QAM	1	0	20.62	20.57	20.68	20.62	20.51	20.29	20.41	20.52	20.75	19.99	20.14	19.93
		1	49	20.59	20.63	20.62	20.56	20.58	20.24	20.42	20.59	20.71	19.90	20.19	20.03
		1	99	20.63	20.67	20.70	20.55	20.71	20.35	20.44	20.58	20.79	20.03	20.08	20.09
		50	0	20.50	20.48	20.52	20.44	20.36	20.34	20.29	20.40	20.66	19.77	19.98	19.80
		50	24	20.56	20.57	20.51	20.48	20.44	20.36	20.37	20.49	20.65	19.83	20.04	19.89
		50	49	20.50	20.56	20.54	20.41	20.43	20.40	20.36	20.44	20.68	19.81	19.99	19.90
		100	0	20.54	20.55	20.49	20.45	20.44	20.33	20.35	20.47	20.64	19.77	19.95	19.89

**5G NR n66**

<b>Test Engineer ID:</b>	29435	<b>Test Date:</b>	5/5/2023
--------------------------	-------	-------------------	----------

**OUTPUT POWER FOR 5G NR n66 (5.0 MHz)**

Bandwidth (MHz)	Modulation	RB Allocation	RB Offset	Conducted Average (dBm)											
				ANT 1			ANT 2			ANT 3			ANT 4		
				342500	349000	355500	342500	349000	355500	342500	349000	355500	342500	349000	355500
5.0	BPSK	1	0	25.41	25.34	25.34	25.29	25.49	25.32	25.06	25.20	25.08	24.79	24.99	24.82
		1	1	<b>25.70</b>	25.51	25.56	25.59	25.62	25.54	25.32	<b>25.50</b>	25.34	25.09	25.12	25.04
		1	23	25.52	25.49	25.56	25.62	25.64	25.53	25.24	25.36	25.36	25.12	25.14	25.03
		1	24	25.31	25.31	25.34	25.40	25.40	25.32	25.11	25.19	25.12	24.90	24.90	24.82
		12	6	25.50	25.52	25.55	<b>25.70</b>	25.61	25.50	25.39	25.38	25.33	<b>25.20</b>	25.11	25.00
	25	0	25.30	25.30	25.35	25.42	25.37	25.24	24.98	25.01	25.10	24.92	24.87	24.74	
	QPSK	1	0	24.44	24.50	24.42	24.98	24.89	24.80	24.79	24.70	24.68	24.35	24.26	24.17
		1	1	<b>25.27</b>	25.18	25.21	25.26	25.17	25.03	25.49	25.45	25.48	25.06	24.97	24.83
		1	23	25.13	25.16	25.19	<b>25.27</b>	25.17	25.03	<b>25.50</b>	25.41	25.47	<b>25.07</b>	24.97	24.83
		1	24	24.48	24.48	24.43	24.55	24.47	24.31	24.66	24.71	24.69	24.35	24.27	24.11
		12	6	25.16	25.12	25.19	25.23	25.19	25.10	25.37	25.39	25.30	25.03	24.99	24.90
	16QAM	25	0	24.51	24.41	24.48	24.52	24.45	24.34	24.64	24.64	24.60	24.32	24.25	24.14
		1	0	23.61	23.56	23.56	23.57	23.72	23.55	23.73	23.90	23.64	23.37	23.52	23.35
		1	1	24.58	<b>24.66</b>	24.51	24.58	24.77	24.71	24.53	<b>24.96</b>	24.61	24.38	24.57	24.51
		1	23	24.58	24.56	24.51	24.62	<b>24.81</b>	24.63	24.54	<b>24.96</b>	24.53	24.42	<b>24.61</b>	24.43
		1	24	23.49	23.63	23.57	23.32	23.69	23.58	23.57	23.78	23.51	23.12	23.49	23.38
	64QAM	12	6	24.58	24.44	24.53	24.53	24.46	24.32	24.73	24.71	24.56	24.33	24.26	24.12
		25	0	23.42	23.46	23.31	23.55	23.47	23.39	23.66	23.62	23.60	23.35	23.27	23.19
		1	0	22.85	22.75	22.71	22.81	22.97	22.99	23.12	23.10	23.00	22.61	22.77	22.79
		1	1	22.93	22.77	22.83	22.90	23.02	22.99	23.13	23.00	23.00	22.70	22.82	22.79
		1	23	22.90	22.86	22.76	22.88	22.89	<b>23.14</b>	23.02	23.10	23.07	22.68	22.69	<b>22.94</b>
	256QAM	1	24	22.82	22.90	22.73	22.79	22.95	23.05	23.09	23.03	23.02	22.59	22.75	22.85
		12	6	22.88	22.95	22.83	23.02	22.86	22.92	23.14	23.09	<b>23.20</b>	22.82	22.66	22.72
		25	0	22.93	<b>22.99</b>	22.85	23.03	23.01	22.98	23.12	23.17	23.06	22.83	22.81	22.78
		1	0	<b>21.23</b>	21.05	20.85	<b>21.03</b>	20.78	20.93	21.20	21.18	21.31	20.83	20.58	20.73
		1	1	21.22	21.10	20.82	<b>21.28</b>	20.85	20.93	21.30	21.21	21.25	<b>21.08</b>	20.65	20.73

**OUTPUT POWER FOR 5G NR n66 (10.0 MHz)**

Bandwidth (MHz)	Modulation	RB Allocation	RB Offset	Conducted Average (dBm)											
				ANT 1			ANT 2			ANT 3			ANT 4		
				343000	349000	355000	343000	349000	355000	343000	349000	355000	343000	349000	355000
10.0	BPSK	1	0	25.39	25.24	25.33	25.45	25.25	25.31	25.22	25.29	25.39	24.95	24.75	24.81
		1	1	<b>25.70</b>	25.46	25.57	25.54	25.42	25.49	25.41	25.45	<b>25.50</b>	25.04	24.92	24.99
		1	50	25.57	25.40	25.54	<b>25.70</b>	25.45	25.44	25.36	25.24	25.41	<b>25.20</b>	24.95	24.94
		1	51	25.31	25.20	25.28	25.20	25.13	25.22	25.10	25.06	25.23	24.70	24.63	24.72
		25	12	25.53	25.39	25.57	25.47	25.45	25.45	25.39	25.42	25.41	24.97	24.95	24.95
	QPSK	50	0	25.40	25.28	25.38	25.32	25.28	25.31	25.25	25.26	25.27	24.82	24.78	24.81
		1	0	24.46	24.36	24.46	24.77	24.94	24.92	24.77	24.79	24.72	24.14	24.31	24.29
		1	1	25.19	25.04	<b>25.27</b>	25.05	<b>25.27</b>	25.24	<b>25.48</b>	25.47	25.45	24.85	<b>25.07</b>	25.04
		1	50	25.10	25.03	25.17	24.98	25.24	25.21	25.36	25.34	25.41	24.78	25.04	25.01
		1	51	24.39	24.37	24.47	24.30	24.51	24.38	24.72	24.62	24.62	24.10	24.31	24.18
	16QAM	25	12	25.18	25.02	25.07	25.12	25.11	25.11	25.47	25.47	25.34	24.92	24.91	24.91
		50	0	24.49	24.36	24.34	24.42	24.38	24.38	24.77	24.77	24.74	24.22	24.18	24.18
		1	0	23.63	23.48	23.79	23.40	23.41	23.16	23.48	23.89	23.12	23.20	23.21	22.96
		1	1	24.64	24.38	<b>24.70</b>	<b>24.58</b>	24.41	24.14	24.51	<b>24.95</b>	24.40	<b>24.38</b>	24.21	23.94
		1	50	24.45	24.54	24.66	24.53	24.36	24.09	24.52	24.76	24.31	24.33	24.16	23.89
	64QAM	1	51	23.40	23.53	23.70	23.50	23.38	22.98	23.47	23.70	23.25	23.30	23.18	22.78
		25	12	24.43	24.26	24.42	24.40	24.38	24.35	24.75	24.82	24.42	24.20	24.18	24.15
		50	0	23.47	23.44	23.38	23.44	23.42	23.50	23.69	23.76	23.43	23.24	23.22	23.30
		1	0	<b>22.97</b>	22.78	22.80	22.95	23.02	22.71	23.41	23.11	23.07	22.75	22.82	22.51
		1	1	22.91	22.78	22.78	22.92	23.04	22.65	<b>23.47</b>	23.11	23.12	22.72	22.84	22.45
	256QAM	1	50	22.84	22.86	22.81	22.80	22.92	22.70	23.38	23.07	23.02	22.60	22.72	22.50
		1	51	22.86	22.86	22.74	22.72	22.86	22.62	23.32	23.15	23.03	22.52	22.66	22.42
		25	12	22.90	22.92	22.89	22.90	<b>23.07</b>	22.91	23.21	23.23	22.99	22.70	<b>22.87</b>	22.71
		50	0	<b>22.97</b>	22.93	22.92	22.87	22.97	22.91	23.25	23.27	23.00	22.67	22.77	22.71
		1	0	21.04	20.91	20.89	20.77	21.08	20.96	21.45	<b>21.49</b>	20.57	20.57	20.88	20.76

**OUTPUT POWER FOR 5G NR n66 (15.0 MHz)**

Bandwidth (MHz)	Modulation	RB Allocation	RB Offset	Conducted Average (dBm)											
				ANT 1			ANT 2			ANT 3			ANT 4		
				343500	349000	354500	343500	349000	354500	343500	349000	354500	343500	349000	354500
15.0	BPSK	1	0	25.47	25.35	25.32	25.41	25.37	25.34	25.13	25.00	25.09	24.91	24.87	24.84
		1	1	25.67	25.46	25.61	<b>25.70</b>	25.52	25.50	<b>25.50</b>	25.28	25.18	<b>25.20</b>	25.02	25.00
		1	77	<b>25.70</b>	25.49	25.53	25.56	25.55	25.52	25.30	25.17	25.18	25.06	25.05	25.02
		1	78	25.51	25.27	25.34	25.38	25.28	25.26	25.00	24.80	24.90	24.88	24.78	24.76
		36	18	25.38	25.32	25.42	25.52	25.41	25.37	25.30	25.16	25.13	25.02	24.91	24.87
		75	0	25.27	25.24	25.24	25.36	25.23	25.19	25.10	24.98	24.96	24.86	24.73	24.69
	QPSK	1	0	24.50	24.44	24.40	24.95	24.85	24.82	24.71	24.60	24.52	24.32	24.22	24.19
		1	1	25.19	25.05	25.14	25.24	25.12	25.16	<b>25.50</b>	25.30	25.25	25.04	24.92	24.96
		1	77	<b>25.21</b>	25.13	25.08	<b>25.27</b>	25.09	25.17	25.38	25.15	25.23	<b>25.07</b>	24.89	24.97
		1	78	24.43	24.38	24.40	24.53	24.36	24.36	24.61	24.34	24.54	24.33	24.16	24.16
		36	18	25.02	25.02	24.92	25.07	25.06	24.96	25.39	25.22	25.20	24.87	24.86	24.76
		75	0	24.42	24.29	24.36	24.47	24.36	24.35	24.67	24.46	24.50	24.27	24.16	24.15
	16QAM	1	0	23.28	23.51	23.09	23.58	23.14	23.60	23.91	23.56	23.75	23.38	22.94	23.40
		1	1	24.31	<b>24.54</b>	24.06	24.65	24.10	24.56	<b>24.89</b>	24.58	24.61	24.45	23.90	24.36
		1	77	24.19	24.41	24.04	<b>24.71</b>	23.97	24.46	24.82	24.26	24.67	<b>24.51</b>	23.77	24.26
		1	78	23.23	23.51	23.06	23.63	22.79	23.69	23.86	23.38	23.60	23.43	22.59	23.49
		36	18	24.32	24.37	24.24	24.45	24.31	24.35	24.63	24.49	24.54	24.25	24.11	24.15
		75	0	23.38	23.40	23.36	23.53	23.37	23.32	23.57	23.46	23.49	23.33	23.17	23.12
	64QAM	1	0	<b>22.96</b>	22.69	22.68	23.02	22.73	22.97	23.38	22.98	23.12	22.82	22.53	22.77
		1	1	22.84	22.62	22.69	<b>23.04</b>	22.64	22.99	<b>23.41</b>	23.02	23.19	<b>22.84</b>	22.44	22.79
		1	77	22.70	22.80	22.65	<b>23.04</b>	22.74	22.87	23.10	23.07	23.17	<b>22.84</b>	22.54	22.67
		1	78	22.78	22.73	22.64	23.01	22.68	22.84	23.12	22.94	23.21	22.81	22.48	22.64
		36	18	22.88	22.89	22.78	22.98	22.96	22.89	23.14	23.01	22.92	22.78	22.76	22.69
		75	0	22.93	22.86	22.82	22.97	22.85	22.87	23.10	22.97	22.96	22.77	22.65	22.67
	256QAM	1	0	20.91	20.86	20.94	21.06	20.99	20.90	20.90	20.86	20.64	20.86	20.79	20.70
		1	1	20.96	20.85	<b>21.00</b>	21.25	20.98	20.86	20.89	20.94	20.94	21.05	20.78	20.66
		1	77	20.80	20.89	20.94	21.20	21.00	20.83	20.92	20.87	20.80	21.00	20.80	20.63
		1	78	20.88	20.89	20.89	<b>21.26</b>	20.97	20.83	20.76	20.71	20.69	<b>21.06</b>	20.77	20.63
		36	18	20.90	20.82	20.94	20.93	20.92	20.88	<b>21.14</b>	21.13	21.06	20.73	20.72	20.68
		75	0	20.88	20.81	20.85	20.87	20.85	20.79	21.06	20.99	20.99	20.67	20.65	20.59

**OUTPUT POWER FOR 5G NR n66 (20.0 MHz)**

Bandwidth (MHz)	Modulation	RB Allocation	RB Offset	Conducted Average (dBm)											
				ANT 1			ANT 2			ANT 3			ANT 4		
				344000	349000	354000	344000	349000	354000	344000	349000	354000	344000	349000	354000
20.0	BPSK	1	0	25.45	25.42	25.47	25.52	25.39	25.42	25.20	24.99	25.04	25.02	24.89	24.92
		1	1	<b>25.70</b>	25.51	25.54	25.68	25.55	25.54	<b>25.50</b>	25.26	25.22	25.18	25.05	25.04
		1	104	25.56	25.49	25.55	<b>25.70</b>	25.57	25.48	25.40	25.24	25.25	<b>25.20</b>	25.07	24.98
		1	105	25.32	25.28	25.37	25.44	25.33	25.20	25.12	24.97	25.03	24.94	24.83	24.70
		50	25	25.59	25.50	25.57	25.61	25.50	25.43	25.36	25.24	25.25	25.11	25.00	24.93
		100	0	25.44	25.33	25.29	25.47	25.41	25.25	25.20	25.00	25.02	24.97	24.91	24.75
	QPSK	1	0	24.52	24.41	24.50	24.95	24.95	24.64	24.82	24.65	24.52	24.32	24.32	24.01
		1	1	<b>25.27</b>	25.03	25.11	25.23	25.19	24.96	<b>25.48</b>	25.33	25.26	25.03	24.99	24.76
		1	104	25.17	25.06	25.11	25.16	25.22	24.85	25.44	25.17	25.20	24.96	25.02	24.65
		1	105	24.50	24.46	24.44	24.40	24.42	24.26	24.71	24.44	24.55	24.20	24.22	24.06
		50	25	25.19	25.11	25.11	<b>25.24</b>	25.04	25.08	25.46	25.30	25.33	<b>25.04</b>	24.84	24.88
		100	0	24.53	24.39	24.43	24.50	24.42	24.37	24.70	24.52	24.57	24.30	24.22	24.17
	16QAM	1	0	23.75	23.46	23.64	23.70	23.46	23.23	23.68	23.91	23.95	23.50	23.26	23.03
		1	1	<b>24.54</b>	24.50	24.44	<b>24.69</b>	24.39	24.13	24.76	24.86	<b>24.94</b>	<b>24.49</b>	24.19	23.93
		1	104	24.41	24.45	24.46	24.46	24.41	24.33	24.62	24.81	24.79	24.26	24.21	24.13
		1	105	23.42	23.56	23.48	23.52	23.35	23.19	23.61	23.82	23.85	23.32	23.15	22.99
		50	25	24.39	24.38	24.38	24.48	24.49	24.36	24.69	24.54	24.54	24.28	24.29	24.16
		100	0	23.45	23.36	23.43	23.53	23.49	23.45	23.67	23.53	23.54	23.33	23.29	23.25
	64QAM	1	0	22.84	<b>23.03</b>	22.85	22.83	22.89	22.62	23.18	23.14	23.01	22.63	22.69	22.42
		1	1	22.82	22.92	22.81	22.89	22.73	22.66	23.01	23.15	23.12	22.69	22.53	22.46
		1	104	22.74	23.00	22.75	22.79	22.63	22.64	22.95	23.12	22.98	22.59	22.43	22.44
		1	105	22.71	22.93	22.73	22.73	22.84	22.70	23.03	23.05	23.11	22.53	22.64	22.50
		50	25	22.85	22.86	22.90	22.91	22.93	22.93	<b>23.23</b>	23.06	23.09	22.71	22.73	22.73
		100	0	22.87	22.96	22.93	<b>22.99</b>	22.93	22.93	<b>23.23</b>	23.04	23.05	<b>22.79</b>	22.73	22.73
	256QAM	1	0	<b>21.18</b>	21.02	21.03	20.90	<b>20.95</b>	20.89	20.72	20.64	20.72	20.70	<b>20.75</b>	20.69
		1	1	21.08	20.87	21.06	20.87	20.86	20.84	20.70	20.55	20.79	20.67	20.66	20.64
		1	104	20.99	20.78	21.12	20.85	20.85	20.90	20.60	20.61	20.87	20.65	20.65	20.70
		1	105	21.04	20.89	20.92	20.76	20.86	20.76	20.52	20.59	20.80	20.56	20.66	20.56
		50	25	20.90	20.96	20.92	<b>20.95</b>	<b>20.95</b>	20.88	21.09	21.08	21.04	<b>20.75</b>	<b>20.75</b>	20.68
		100	0	20.91	20.91	20.85	20.86	20.85	20.83	<b>21.14</b>	21.03	20.98	20.66	20.65	20.63

**OUTPUT POWER FOR 5G NR n66 (25.0 MHz)**

Bandwidth (MHz)	Modulation	RB Allocation	RB Offset	Conducted Average (dBm)											
				ANT 1			ANT 2			ANT 3			ANT 4		
				344500	349000	353500	344500	349000	353500	344500	349000	353500	344500	349000	353500
25.0	BPSK	1	0	25.39	25.41	25.50	25.41	25.35	25.38	25.21	25.21	25.01	24.91	24.85	24.88
		1	1	25.56	25.44	<b>25.70</b>	<b>25.70</b>	25.42	25.49	<b>25.50</b>	25.49	25.35	<b>25.20</b>	24.92	24.99
		1	131	25.56	25.63	25.64	25.51	25.44	25.46	25.38	25.34	25.28	25.01	24.94	24.96
		1	132	25.35	25.33	25.43	25.30	25.26	25.22	25.12	25.08	25.00	24.80	24.76	24.72
		64	32	25.47	25.47	25.48	25.47	25.39	25.35	25.37	25.25	25.29	24.97	24.89	24.85
		128	0	25.33	25.26	25.25	25.24	25.14	25.11	25.14	25.01	25.04	24.74	24.64	24.61
		1	0	24.65	24.46	24.37	24.84	24.93	24.71	24.81	24.61	24.56	24.21	24.30	24.08
		1	1	25.20	25.01	24.99	25.10	<b>25.27</b>	24.90	<b>25.49</b>	25.37	25.32	24.90	<b>25.07</b>	24.70
	QPSK	1	131	<b>25.25</b>	25.09	25.08	25.02	25.12	24.85	25.40	25.24	25.29	24.82	24.92	24.65
		1	132	24.50	24.48	24.32	24.30	24.42	24.20	24.72	24.45	24.56	24.10	24.22	24.00
		64	32	25.05	25.07	25.06	25.07	24.90	24.95	25.38	25.23	25.27	24.87	24.70	24.75
		128	0	24.42	24.35	24.31	24.38	24.28	24.23	24.66	24.51	24.53	24.18	24.08	24.03
		1	0	23.46	23.64	23.55	23.76	23.57	23.49	23.63	23.75	23.56	23.56	23.37	23.29
		1	1	24.38	<b>24.59</b>	24.36	<b>24.78</b>	<b>24.55</b>	24.48	<b>24.55</b>	<b>24.80</b>	24.51	<b>24.58</b>	24.35	24.28
		1	131	24.29	24.53	24.40	24.48	24.44	24.39	24.49	24.67	24.51	24.28	24.24	24.19
		1	132	23.23	23.56	23.41	23.59	23.52	23.42	23.41	23.79	23.39	23.39	23.32	23.22
	16QAM	64	32	24.35	24.34	24.37	24.38	24.27	24.23	24.59	24.56	24.59	24.18	24.07	24.03
		128	0	23.41	23.37	23.45	23.35	23.31	23.24	23.64	23.51	23.55	23.15	23.11	23.04
		1	0	<b>23.18</b>	23.00	23.16	22.78	22.69	<b>23.03</b>	23.10	22.87	23.03	22.58	<b>22.83</b>	22.83
		1	1	23.08	23.17	23.05	22.74	22.68	22.85	23.11	23.14	23.04	22.54	22.48	22.65
		1	131	22.97	22.96	22.98	22.62	22.66	22.79	22.88	22.93	<b>23.17</b>	22.42	22.46	22.59
		1	132	22.90	22.93	23.00	22.55	22.65	22.94	23.00	22.97	23.14	22.35	22.45	22.74
		64	32	22.93	22.89	22.91	22.80	22.74	22.71	23.05	23.00	23.01	22.60	22.54	22.51
		128	0	22.83	22.87	22.91	22.84	22.73	22.70	23.14	23.01	23.04	22.64	22.53	22.50
	64QAM	1	0	20.95	20.95	21.11	21.10	20.98	20.68	20.82	20.54	20.58	20.90	20.78	20.48
		1	1	20.94	20.75	<b>21.17</b>	<b>21.20</b>	20.91	20.64	20.87	20.57	20.78	<b>21.00</b>	20.71	20.44
		1	131	21.02	20.96	21.05	20.97	20.80	20.67	20.80	20.55	20.84	20.77	20.60	20.47
		1	132	20.91	21.06	21.08	20.95	20.88	20.71	20.79	20.40	20.87	20.75	20.68	20.51
		64	32	20.82	20.89	20.91	20.77	20.74	20.71	21.08	20.89	21.06	20.57	20.54	20.51
		128	0	20.81	20.95	20.92	20.78	20.76	20.63	<b>21.12</b>	20.98	21.07	20.58	20.56	20.43

**OUTPUT POWER FOR 5G NR n66 (30.0 MHz)**

Bandwidth (MHz)	Modulation	RB Allocation	RB Offset	Conducted Average (dBm)											
				ANT 1			ANT 2			ANT 3			ANT 4		
				345000	349000	353000	345000	349000	353000	345000	349000	353000	345000	349000	353000
30.0	BPSK	1	0	25.49	25.46	25.49	25.46	25.48	25.35	25.28	25.25	25.19	24.96	24.98	24.85
		1	1	25.64	25.64	25.64	25.66	25.46	25.58	<b>25.50</b>	25.26	25.38	25.16	24.96	25.08
		1	158	25.61	25.64	25.52	<b>25.70</b>	25.45	25.42	25.40	25.34	25.30	<b>25.20</b>	24.95	24.92
		1	159	25.44	25.40	25.27	25.33	25.26	25.26	25.13	25.12	25.07	24.83	24.76	24.76
		80	40	<b>25.70</b>	25.62	25.59	25.59	25.58	25.53	25.37	25.27	25.37	25.09	25.08	25.03
		160	0	25.50	25.47	25.47	25.50	25.48	25.39	25.19	25.12	25.13	25.00	24.98	24.89
		1	0	24.57	24.43	24.53	25.00	24.94	24.85	24.69	24.69	24.72	24.37	24.31	24.22
		1	1	<b>25.27</b>	25.09	25.22	<b>25.27</b>	25.07	25.13	<b>25.45</b>	25.36	25.43	<b>25.07</b>	24.87	24.93
	QPSK	1	158	25.25	25.11	25.16	25.08	25.11	24.96	25.42	25.23	25.35	24.88	24.91	24.76
		1	159	24.40	24.37	24.41	24.39	24.32	24.24	24.67	24.65	24.52	24.19	24.12	24.04
		80	40	25.16	25.22	25.21	25.21	25.22	25.16	25.43	25.34	25.35	25.01	25.02	24.96
		160	0	24.45	24.51	24.53	24.55	24.60	24.51	24.67	24.63	24.68	24.35	24.40	24.31
		1	0	23.56	23.57	23.59	23.66	23.16	23.35	23.90	23.54	23.88	23.46	22.96	23.15
		1	1	24.48	24.53	24.52	<b>24.73</b>	24.32	24.32	<b>24.88</b>	24.59	24.62	<b>24.53</b>	24.12	24.12
		1	158	24.50	24.48	<b>24.55</b>	24.57	24.29	24.39	24.86	24.34	24.71	24.37	24.09	24.19
		1	159	23.50	23.51	23.43	23.71	23.33	23.33	23.76	23.37	23.60	23.51	23.13	23.13
	16QAM	80	40	24.46	24.52	24.48	24.52	24.53	24.55	24.64	24.63	24.72	24.32	24.33	24.35
		160	0	23.55	23.50	23.46	23.55	23.60	23.48	23.68	23.62	23.75	23.35	23.40	23.28
		1	0	23.05	22.69	<b>23.37</b>	22.85	22.91	22.90	22.99	23.07	22.96	22.65	22.71	22.70
		1	1	23.17	22.60	23.15	22.87	22.99	22.87	22.96	23.24	23.15	22.67	22.79	22.67
		1	158	22.95	22.86	23.00	22.69	22.90	22.77	22.85	23.04	23.02	22.49	22.70	22.57
		1	159	22.90	22.70	23.16	22.78	22.94	22.86	23.05	22.90	22.97	22.58	22.74	22.66
		80	40	22.99	22.99	22.99	22.94	23.02	22.98	23.16	23.17	23.24	22.74	22.82	22.78
		160	0	23.02	23.00	22.99	23.03	<b>23.07</b>	23.03	23.12	23.12	<b>23.26</b>	22.83	<b>22.87</b>	22.83
	64QAM	1	0	21.15	21.24	21.12	21.24	<b>21.27</b>	21.02	21.13	21.13	21.14	21.04	<b>21.07</b>	20.82
		1	1	21.25	21.00	21.13	21.20	21.16	21.09	<b>21.26</b>	21.24	20.97	21.00	20.96	20.89
		1	158	21.08	21.12	20.93	21.06	21.01	20.92	21.07	21.04	20.87	20.86	20.81	20.72
		1	159	20.94	<b>21.26</b>	20.90	20.98	20.92	20.96	21.17	20.81	21.13	20.78	20.72	20.76
		80	40	20.99	21.05	20.92	21.02	21.02	20.90	21.09	21.16	21.21	20.82	20.82	20.70
		160	0	20.98	21.05	21.05	20.99	20.95	20.91	21.20	21.18	21.22	20.79	20.75	20.71

**OUTPUT POWER FOR 5G NR n66 (35.0 MHz)**

Bandwidth (MHz)	Modulation	RB Allocation	RB Offset	Conducted Average (dBm)														
				ANT 1			ANT 2			ANT 3			ANT 4					
				345500	349000	352500	345500	349000	352500	4E+06	349000	352500	345500	349000	352500	345500	349000	352500
35.0	BPSK	1	0	24.90	24.96	25.50	24.91	24.79	24.63	24.29	24.40	24.50	25.12	25.13	25.09			
		1	1	25.11	25.19	25.70	24.93	24.85	25.19	24.63	24.60	25.50	25.09	25.16	25.15			
		1	186	25.03	24.78	24.89	25.69	25.36	24.61	24.47	24.55	24.55	25.17	25.20	25.05			
		1	187	24.77	24.44	24.80	25.40	25.15	24.46	24.32	24.18	24.26	24.94	24.99	24.77			
		90	45	24.85	25.53	24.70	24.63	25.70	25.13	24.39	24.35	24.36	24.91	24.94	24.90			
		180	0	24.80	25.08	24.58	24.69	25.33	24.82	24.34	24.24	24.30	24.65	24.81	24.68			
	QPSK	1	0	24.04	24.10	24.52	24.29	24.12	24.31	24.05	23.95	23.99	24.30	24.34	24.13			
		1	1	24.63	24.53	25.27	24.34	24.25	24.41	24.54	24.68	24.75	24.98	24.86	24.91			
		1	186	24.56	24.23	24.49	24.52	24.73	24.20	24.59	24.59	24.51	25.07	24.79	24.67			
		1	187	23.76	23.44	23.66	23.78	24.01	23.48	23.89	23.79	23.77	24.33	24.15	24.00			
		90	45	24.53	24.93	24.28	24.25	24.79	24.62	24.56	24.50	24.36	24.66	24.88	24.71			
		180	0	23.81	24.22	23.70	23.81	24.19	24.02	23.81	23.78	23.70	24.09	24.13	24.08			
	16QAM	1	0	22.88	22.96	23.67	22.79	22.84	23.16	23.22	23.25	23.13	23.51	23.29	22.96			
		1	1	24.09	23.97	24.40	23.90	23.74	23.89	24.14	24.41	24.14	24.44	24.33	23.97			
		1	186	24.03	23.39	23.72	23.95	24.11	23.59	24.04	24.06	24.02	24.50	24.19	23.98			
		1	187	22.74	22.43	22.79	22.58	23.01	22.60	23.02	22.97	22.71	23.51	23.27	22.69			
		90	45	23.81	24.36	23.64	23.55	24.06	23.86	23.66	23.63	23.83	24.12	24.18	24.07			
		180	0	22.79	23.25	22.78	22.80	23.28	23.01	22.62	22.76	22.67	23.21	23.16	23.12			
	64QAM	1	0	22.10	22.48	22.95	22.61	22.50	22.70	22.64	22.60	22.75	22.62	23.02	23.25			
		1	1	22.53	22.65	22.85	22.74	22.39	22.58	22.60	22.78	22.54	22.54	22.60	22.99			
		1	186	22.48	22.15	22.28	22.68	22.70	22.04	22.48	25.50	22.36	22.25	22.55	22.83			
		1	187	22.24	21.94	22.14	22.45	22.66	21.83	22.50	22.47	22.13	22.30	22.47	22.92			
		90	45	22.21	22.85	21.92	22.03	22.80	22.44	22.27	22.12	22.20	22.66	22.68	22.52			
		180	0	22.35	22.74	22.16	22.27	22.73	22.50	22.24	22.25	22.34	22.68	22.80	22.57			
	256QAM	1	0	20.43	20.81	20.92	20.31	20.14	21.62	20.10	20.45	20.47	20.80	21.20	21.04			
		1	1	20.78	20.56	20.66	20.55	20.21	21.43	20.48	20.68	20.39	20.70	20.84	20.84			
		1	186	20.59	20.14	20.17	21.27	20.56	19.91	20.25	20.45	20.02	20.64	20.78	20.56			
		1	187	20.53	20.41	20.05	21.61	20.49	20.01	20.10	20.15	20.19	20.90	20.91	20.45			
		90	45	20.24	20.78	19.95	19.96	21.43	20.49	20.23	20.23	20.23	20.54	20.69	20.49			
		180	0	20.31	20.68	20.15	20.30	21.05	20.53	20.31	20.32	20.24	20.69	20.78	20.69			

**OUTPUT POWER FOR 5G NR n66 (40.0 MHz)**

Bandwidth (MHz)	Modulation	RB Allocation	RB Offset	Conducted Average (dBm)														
				ANT 1			ANT 2			ANT 3			ANT 4					
				346000	349000	352000	346000	349000	352000	346000	349000	352000	346000	349000	352000			
40.0	BPSK	1	0	25.47	25.70	25.44	25.58	25.50	25.55	25.31	25.14	25.24	25.08	25.00	25.05			
		1	1	25.70	25.70	25.54	25.68	25.64	25.70	25.50	25.34	25.43	25.18	25.14	25.20			
		1	214	25.51	25.54	25.53	25.61	25.57	25.62	25.33	25.30	25.31	25.11	25.07	25.12			
		1	215	25.33	25.38	25.36	25.40	25.33	25.34	25.14	25.02	25.07	24.90	24.83	24.84			
		108	54	25.54	25.63	25.54	25.55	25.55	25.65	25.34	25.40	25.35	25.05	25.05	25.15			
		216	0	25.39	25.49	25.43	25.41	25.45	25.52	25.21	25.19	25.25	24.91	24.95	25.02			
	QPSK	1	0	24.58	24.60	24.45	24.83	24.98	24.95	24.65	24.65	24.83	24.20	24.35	24.32			
		1	1	25.27	25.22	25.00	25.06	25.08	25.23	25.48	25.33	25.47	24.86	24.88	25.03			
		1	214	25.12	25.23	25.12	24.93	25.05	25.08	25.41	25.19	25.38	24.73	24.85	24.88			
		1	215	24.35	24.43	24.25	24.23	24.25	24.41	24.66	24.67	24.62	24.03	24.05	24.21			
		108	54	25.18	25.19	25.22	25.14	25.17	25.20	25.38	25.44	25.47	24.94	24.97	25.00			
		216	0	24.52	24.55	24.49	24.51	24.55	24.51	24.67	24.75	24.72	24.31	24.35	24.31			
	16QAM	1	0	23.68	23.43	23.31	23.14	23.57	23.49	23.91	23.41	23.93	22.94	23.37	23.29			
		1	1	24.61	24.47	24.30	24.30	24.45	24.24	24.89	24.40	24.78	24.10	24.25	24.04			
		1	214	24.44	24.41	24.30	24.02	24.38	24.22	24.79	24.44	24.76	23.82	24.18	24.02			
		1	215	23.67	23.50	23.24	23.12	23.52	23.36	23.82	23.45	23.78	22.92	23.32	23.16			
		108	54	24.46	24.43	24.47	24.48	24.49	24.57	24.71	24.68	24.65	24.28	24.29	24.37			
		216	0	23.46	23.45	23.52	23.53	23.52	23.60	23.79	23.72	23.69	23.33	23.32	23.40			
	64QAM	1	0	22.97	22.76	23.20	22.95	23.06	22.76	23.24	23.18	23.56	22.75	22.86	22.56			
		1	1	22.97	22.63	23.04	22.90	23.07	22.41	23.03	23.33	23.33	22.70	22.87	22.21			
		1	214	22.98	22.93	23.10	22.83	22.90	22.61	23.09	23.21	23.32	22.63	22.70	22.41			
		1	215	22.94	22.54	22.86	22.81	22.99	22.59	22.97	23.11	23.15	22.61	22.79	22.39			
		108	54	23.05	22.94	22.99	22.97	23.00	22.98	23.21	23.14	23.17	22.77	22.80	22.78			
		216	0	23.03	22.97	23.05	23.09	23.16	23.11	23.23	23.19	23.23	22.89	22.96	22.91			
	256QAM	1	0	21.26	21.44	21.39	21.37	21.15	21.25	21.16	21.33	21.03	21.17	20.95	21.05			
		1	1	21.26	21.35	21.16	21.28	21.28	21.07	21.19	21.06	20.90	21.08	21.08	20.87			
		1	214	21.13	21.31	20.82	20.97	21.11	21.06	20.80	20.89	21.11	20.77	20.91	20.86			
		1	215	21.00	21.21	20.96	21.13	20.99	20.99	20.93	20.80	20.86	20.93	20.79	20.79			
		108	54	21.05	20.94	21.05	21.01	21.01	20.92	21.23	21.21	21.07	20.81	20.81	20.72			
		216	0	21.10	21.04	20.95	21.06	21.01	20.96	21.26	21.26	21.16	20.86	20.81	20.76			

### 8.13. 5G NR n70

Test Engineer ID:	29435	Test Date:	4/27/2023
-------------------	-------	------------	-----------

#### OUTPUT POWER FOR 5G NR n70 (5.0 MHz)

Bandwidth (MHz)	Modulation	RB Allocation	RB Offset	Conducted Average (dBm)											
				ANT 1			ANT 2			ANT 3			ANT 4		
				339500	340500	341500	339500	340500	341500	339500	340500	341500	339500	340500	341500
5.0	BPSK	1	0	25.40	25.38	25.46	25.18	25.33	25.37	25.25	25.19	25.11	24.96	24.42	24.70
		1	1	25.60	25.57	25.70	25.52	25.53	25.70	25.40	25.50	25.44	25.20	24.61	24.90
		1	23	25.57	25.53	25.67	25.49	25.55	25.61	25.42	25.41	25.41	25.08	24.69	24.85
		1	24	25.33	25.34	25.40	25.29	25.34	25.34	25.16	25.13	25.07	24.87	24.50	24.63
		12	6	25.56	25.53	25.54	25.53	25.53	25.53	25.34	25.35	25.29	25.04	24.71	24.88
	QPSK	1	0	24.43	24.55	24.45	24.75	24.96	24.93	24.71	24.71	24.64	24.32	23.85	24.16
		1	1	25.23	25.27	25.16	25.00	25.27	25.22	25.49	25.41	25.39	25.02	24.84	24.87
		1	23	25.19	25.26	25.12	25.02	25.25	25.17	25.46	25.36	25.40	25.07	24.76	24.82
		1	24	24.42	24.44	24.47	24.30	24.53	24.44	24.72	24.65	24.63	24.29	24.05	24.11
		12	6	25.13	25.18	25.17	25.16	25.13	25.14	25.42	25.36	25.30	24.92	24.71	24.83
	16QAM	25	0	24.47	24.44	24.45	24.47	24.39	24.41	24.63	24.60	24.59	24.19	24.02	24.02
		1	0	23.37	23.65	23.42	23.69	23.59	23.55	23.50	23.22	23.26	23.31	22.78	23.14
		1	1	24.35	24.70	24.37	24.71	24.52	24.57	24.51	24.29	24.24	24.30	23.91	24.19
		1	23	24.39	24.73	24.35	24.64	24.55	24.47	24.49	24.23	24.23	24.27	23.91	24.24
		1	24	23.30	23.61	23.34	23.70	23.60	23.41	23.46	23.22	23.26	23.26	22.96	23.11
	64QAM	12	6	24.37	24.32	24.40	24.46	24.44	24.37	24.59	24.59	24.66	24.21	24.20	24.15
		25	0	23.43	23.41	23.40	23.45	23.48	23.49	23.60	23.61	23.52	23.16	23.16	23.07
		1	0	23.05	23.07	22.91	22.89	22.85	22.87	22.97	23.16	23.23	22.85	22.64	22.60
		1	1	23.07	23.16	22.92	22.92	22.97	22.88	22.94	23.15	23.35	22.91	22.70	22.55
		1	23	23.16	23.05	22.87	22.90	22.90	22.89	22.98	23.20	23.22	22.74	22.71	22.59
	256QAM	1	24	23.08	22.97	22.86	22.89	22.86	22.82	22.87	23.14	23.19	22.79	22.67	22.54
		12	6	22.89	22.78	22.89	22.86	22.92	22.92	23.01	22.98	23.09	22.66	22.53	22.58
		25	0	22.95	22.94	22.94	22.96	23.03	22.94	23.10	23.09	23.07	22.73	22.55	22.57
		1	0	20.51	20.72	20.31	20.57	20.62	20.61	20.72	20.72	20.82	20.41	20.65	20.71
		1	1	20.64	20.76	20.34	20.52	20.59	20.67	20.59	20.71	20.83	20.31	20.61	20.68

#### OUTPUT POWER FOR 5G NR n70 (10.0 MHz)

Bandwidth (MHz)	Modulation	RB Allocation	RB Offset	Conducted Average (dBm)											
				ANT 1			ANT 2			ANT 3			ANT 4		
				340000	340500	341000	340000	340500	341000	340000	340500	341000	340000	340500	341000
10.0	BPSK	1	0	25.43	25.36	25.42	25.29	25.31	25.37	25.16	25.25	25.11	24.89	24.84	24.83
		1	1	25.70	25.58	25.62	25.58	25.59	25.70	25.42	25.50	25.35	25.20	25.02	25.20
		1	50	25.55	25.52	25.54	25.49	25.57	25.59	25.38	25.43	25.36	25.20	25.00	25.00
		1	51	25.37	25.30	25.30	25.33	25.33	25.37	25.14	25.14	25.08	24.86	24.75	24.78
		25	12	25.57	25.58	25.56	25.58	25.56	25.57	25.44	25.43	25.38	25.03	25.00	24.97
	QPSK	50	0	25.46	25.37	25.37	25.42	25.43	25.44	25.25	25.26	25.19	24.83	24.82	24.81
		1	0	24.49	24.48	24.52	25.02	24.88	24.96	24.68	24.69	24.72	24.29	24.22	24.20
		1	1	25.20	25.17	25.26	25.22	25.17	25.27	25.42	25.37	25.46	25.07	24.90	24.97
		1	50	25.07	25.15	25.09	25.24	25.08	25.19	25.41	25.31	25.39	24.94	24.84	24.89
		1	51	24.45	24.41	24.40	24.52	24.38	24.46	24.61	24.63	24.59	24.23	24.16	24.12
	16QAM	25	12	25.27	25.18	25.17	25.21	25.12	25.19	25.45	25.45	25.41	24.93	25.01	24.89
		50	0	24.50	24.47	24.43	24.48	24.53	24.49	24.69	24.72	24.68	24.23	24.26	24.17
		1	0	23.47	23.35	23.75	23.55	23.51	23.01	23.73	23.92	23.96	23.39	23.07	23.08
		1	1	24.55	24.39	24.73	24.56	24.45	24.02	24.65	24.93	24.97	24.53	24.05	24.19
		1	50	24.44	24.32	24.64	24.60	24.51	23.89	24.67	24.90	25.03	24.43	24.04	24.15
	64QAM	1	51	23.32	23.26	23.59	23.56	23.49	22.98	23.55	23.86	23.98	23.33	22.91	23.00
		25	12	24.54	24.52	24.46	24.50	24.48	24.47	24.80	24.71	24.64	24.19	24.24	24.15
		50	0	23.54	23.52	23.46	23.55	23.55	23.52	23.76	23.65	23.74	23.25	23.29	23.24
		1	0	22.92	23.09	23.02	22.94	22.97	23.09	23.11	23.28	23.20	22.36	22.72	22.75
		1	1	22.98	23.12	23.06	22.97	22.94	23.11	23.12	23.27	23.23	22.33	22.76	22.77
	256QAM	1	50	22.92	23.09	22.94	22.80	22.87	22.94	23.09	23.21	23.14	22.29	22.65	22.78
		1	51	22.77	23.06	22.96	22.85	22.75	22.81	23.10	23.16	23.12	22.34	22.54	22.58
		25	12	22.96	22.93	22.95	23.00	23.04	22.96	23.21	23.26	23.22	22.76	22.72	22.76
		50	0	23.03	23.02	23.00	23.03	23.02	23.09	23.26	23.24	23.21	22.69	22.70	22.63
		1	0	20.73	20.60	20.56	20.48	20.72	20.48	20.80	20.96	20.79	20.77	20.77	20.63

**OUTPUT POWER FOR 5G NR n70 (15.0 MHz)**

Bandwidth (MHz)	Modulation	RB Allocation	RB Offset	Conducted Average (dBm)											
				ANT 1			ANT 2			ANT 3			ANT 4		
				N/A	340500	N/A	N/A	340500	N/A	N/A	340500	N/A	N/A	340500	N/A
15.0	BPSK	1	0		25.40			25.46			25.07			24.92	
		1	1		<b>25.70</b>			<b>25.70</b>			<b>25.50</b>			<b>25.20</b>	
		1	77		25.54			25.67			25.27			25.15	
		1	78		25.32			25.45			25.08			24.94	
		36	18		25.48			25.64			25.24			25.01	
		75	0		25.35			25.47			25.09			24.84	
	QPSK	1	0		24.58			24.98			24.74			24.24	
		1	1		<b>25.27</b>			<b>25.27</b>			<b>25.50</b>			24.91	
		1	77		25.17			25.25			25.38			<b>24.94</b>	
		1	78		24.47			24.58			24.70			24.22	
		36	18		25.13			25.21			25.34			24.88	
		75	0		24.47			24.57			24.64			24.26	
	16QAM	1	0		23.44			23.60			23.70			23.23	
		1	1		<b>24.50</b>			<b>24.76</b>			24.75			<b>24.27</b>	
		1	77		24.33			24.67			<b>24.79</b>			24.23	
		1	78		23.41			23.61			23.65			23.06	
		36	18		<b>24.50</b>			24.53			24.62			24.19	
		75	0		23.44			23.56			23.59			23.26	
	64QAM	1	0		<b>23.04</b>			<b>23.23</b>			23.05			22.69	
		1	1		23.00			23.22			23.08			22.75	
		1	77		22.87			23.11			23.09			22.73	
		1	78		22.90			23.09			22.94			22.68	
		36	18		22.95			23.09			<b>23.12</b>			22.71	
		75	0		22.92			23.05			23.08			<b>22.77</b>	
	256QAM	1	0		20.58			20.69			20.76			<b>20.91</b>	
		1	1		20.51			20.49			20.79			20.72	
		1	77		20.60			20.64			20.79			20.76	
		1	78		20.38			20.58			20.65			20.77	
		36	18		<b>20.89</b>			<b>21.06</b>			<b>21.01</b>			20.70	
		75	0		20.88			20.98			20.94			20.63	

### 8.14. LTE BAND 71 AND 5G NR n71

#### LTE BAND 71

Test Engineer ID:	28498	Test Date:	4/5/2023
-------------------	-------	------------	----------

#### OUTPUT POWER FOR LTE BAND 71 (5.0 MHz)

Bandwidth (MHz)	Modulation	RB Allocation	RB Offset	Conducted Average (dBm)								
				ANT 1			ANT 2			ANT 3		
				133147	133297	133447	133147	133297	133447	133147	133297	133447
5.0	QPSK	1	0	25.64	25.49	25.51	24.54	24.58	24.54	25.35	25.26	25.28
		1	12	<b>25.70</b>	25.64	25.59	24.63	<b>24.70</b>	24.62	<b>25.40</b>	25.35	25.34
		1	24	25.58	25.47	25.46	24.49	24.57	24.46	25.25	25.24	25.16
		12	0	24.87	24.82	24.85	23.48	23.60	23.57	24.28	24.23	24.27
		12	6	24.97	24.89	24.89	23.59	23.69	23.58	24.37	24.30	24.29
		12	11	24.92	24.83	24.82	23.54	23.64	23.52	24.33	24.29	24.25
		25	0	24.52	24.43	24.38	23.53	23.64	23.54	24.32	24.28	24.25
		1	0	24.58	24.74	24.74	23.31	23.39	23.29	<b>24.60</b>	24.36	24.46
		1	12	24.60	24.88	<b>24.89</b>	23.37	<b>23.50</b>	23.43	24.58	24.52	24.48
	1	24	24.54	24.70	24.71	23.29	23.31	23.19	24.48	24.35	24.25	
	12	0	23.41	23.52	23.56	22.09	22.23	22.15	23.36	23.22	23.32	
	12	6	23.48	23.62	23.60	22.16	22.34	22.16	23.43	23.34	23.32	
	12	11	23.45	23.53	23.55	22.13	22.27	22.11	23.40	23.28	23.28	
	25	0	23.50	23.40	23.37	22.14	22.23	22.09	23.34	23.29	23.24	
	1	0	23.44	23.60	23.73	22.38	22.44	22.39	23.39	23.22	23.40	
	1	12	23.45	<b>23.75</b>	23.71	22.39	<b>22.53</b>	22.46	<b>23.45</b>	23.24	23.44	
	1	24	23.41	23.51	23.70	22.35	22.40	22.32	23.35	23.19	23.34	
	12	0	22.16	22.38	22.53	21.08	21.24	21.22	22.29	22.07	22.24	
	12	6	22.26	22.50	22.53	21.18	21.33	21.26	22.41	22.16	22.29	
	12	11	22.23	22.45	22.47	21.15	21.30	21.21	22.35	22.15	22.27	
	25	0	22.24	22.44	22.45	21.12	21.26	21.10	22.33	22.13	22.25	
	1	0	20.25	20.43	20.51	19.07	19.26	19.28	20.35	20.08	20.27	
	1	12	20.36	20.52	<b>20.57</b>	19.22	<b>19.38</b>	19.30	<b>20.56</b>	20.24	20.30	
	1	24	20.24	20.40	20.48	19.12	19.29	19.18	20.36	20.17	20.17	
	12	0	20.23	20.36	20.43	19.09	19.24	19.11	20.27	20.05	20.26	
12	6	20.33	20.44	20.48	19.18	19.32	19.09	20.36	20.14	20.26		
12	11	20.29	20.41	20.41	19.14	19.29	19.10	20.34	20.10	20.23		
25	0	20.31	20.41	20.44	19.13	19.27	19.09	20.33	20.10	20.22		

#### OUTPUT POWER FOR LTE BAND 71 (10.0 MHz)

Bandwidth (MHz)	Modulation	RB Allocation	RB Offset	Conducted Average (dBm)								
				ANT 1			ANT 2			ANT 3		
				133172	133322	133422	133172	133322	133422	133172	133322	133422
10.0	QPSK	1	0	<b>25.70</b>	25.46	25.39	<b>24.70</b>	24.64	24.57	<b>25.40</b>	25.05	25.36
		1	24	25.63	25.41	25.41	24.63	24.58	24.55	25.31	25.09	25.31
		1	49	25.53	25.36	25.28	24.52	24.48	24.43	25.21	25.01	25.18
		25	0	24.91	24.66	24.66	23.60	23.54	23.48	24.31	24.04	24.28
		25	12	24.98	24.73	24.66	23.68	23.62	23.48	24.38	24.05	24.28
		25	24	24.91	24.67	24.64	23.59	23.54	23.50	24.30	24.08	24.31
		50	0	24.51	24.28	24.16	23.64	23.60	23.44	24.36	24.08	24.25
		1	0	<b>24.88</b>	24.64	24.70	<b>23.41</b>	23.35	23.34	<b>24.58</b>	24.21	24.54
		1	24	24.74	24.55	24.61	23.37	23.31	23.26	24.50	24.24	24.51
	1	49	24.76	24.59	24.61	23.30	23.26	23.14	24.46	24.20	24.36	
	25	0	23.50	23.26	23.26	22.19	22.17	22.08	23.33	23.07	23.29	
	25	12	23.54	23.32	23.25	22.23	22.19	22.06	23.39	23.06	23.25	
	25	24	23.45	23.26	23.30	22.19	22.14	22.08	23.35	23.09	23.31	
	50	0	23.47	23.25	23.21	22.23	22.15	22.04	23.37	23.11	23.24	
	1	0	23.60	23.54	<b>23.64</b>	<b>22.51</b>	22.40	22.50	<b>23.57</b>	23.53	23.50	
	1	24	23.46	23.52	23.59	22.45	22.24	22.37	23.56	<b>23.57</b>	23.39	
	1	49	23.47	23.47	23.47	22.39	22.21	22.28	23.42	23.49	23.28	
	25	0	22.27	22.21	22.34	21.17	21.14	21.07	22.34	22.28	22.31	
	25	12	22.39	22.30	22.37	21.25	21.23	21.07	22.40	22.28	22.30	
	25	24	22.36	22.23	22.39	21.18	21.15	21.07	22.35	22.30	22.27	
	50	0	22.38	22.26	22.32	21.24	21.18	21.02	22.36	22.34	22.26	
	1	0	20.49	20.29	20.52	19.30	19.29	19.18	20.46	20.34	20.48	
	1	24	20.56	20.37	<b>20.57</b>	<b>19.38</b>	19.34	19.25	<b>20.54</b>	20.46	20.53	
	1	49	20.41	20.32	20.45	19.30	19.24	19.11	20.44	20.37	20.34	
	25	0	20.33	20.20	20.35	19.16	19.14	19.04	20.33	20.24	20.27	
25	12	20.40	20.30	20.34	19.24	19.21	19.08	20.39	20.26	20.28		
25	24	20.31	20.22	20.37	19.16	19.16	19.06	20.33	20.27	20.29		
50	0	20.32	20.25	20.32	19.20	19.17	19.04	20.34	20.28	20.26		



**OUTPUT POWER FOR LTE BAND 71 (15.0 MHz)**

Bandwidth (MHz)	Modulation	RB Allocation	RB Offset	Conducted Average (dBm)									
				ANT 1			ANT 2			ANT 3			
				133197	133297	133397	133197	133297	133397	133197	133297	133397	
15.0	QPSK	1	0	670.5	680.5	690.5	670.5	680.5	690.5	670.5	680.5	690.5	
		1	37	<b>25.70</b>	25.67	25.67	24.68	24.68	24.63	25.20	25.39	25.15	
		1	74	25.67	25.62	25.66	<b>24.70</b>	24.64	24.64	<b>25.40</b>	<b>25.40</b>	25.18	
		36	0	25.55	25.56	25.49	24.54	24.54	24.51	25.36	25.32	25.02	
		36	16	25.02	24.98	24.98	23.69	23.74	23.65	24.40	24.40	24.19	
		36	35	25.07	25.01	24.97	23.73	23.77	23.62	24.48	24.48	24.17	
		75	0	25.01	24.94	24.96	23.65	23.69	23.63	24.42	24.39	24.17	
		75	0	24.65	24.56	24.52	23.74	23.76	23.61	24.47	24.44	24.14	
		75	0	<b>24.90</b>	24.76	24.68	23.49	<b>23.55</b>	23.45	24.52	24.63	24.24	
	16QAM	1	37	24.83	24.83	24.69	23.51	23.53	23.43	24.62	<b>24.66</b>	24.31	
		1	74	24.74	24.63	24.48	23.35	23.42	23.27	24.54	24.50	24.14	
		36	0	23.61	23.55	23.56	22.28	22.29	22.24	23.43	23.42	23.21	
		36	16	23.64	23.59	23.53	22.33	22.31	22.22	23.48	23.48	23.18	
		36	35	23.59	23.54	23.54	22.25	22.25	22.23	23.44	23.40	23.20	
		75	0	23.64	23.60	23.55	22.33	22.32	22.21	23.47	23.48	23.20	
		75	0	<b>23.84</b>	23.69	23.78	22.47	<b>22.50</b>	21.92	<b>23.62</b>	23.57	23.54	
		75	1	37	23.80	23.69	23.78	<b>22.50</b>	22.49	21.94	23.48	23.58	23.55
		75	1	74	23.68	23.59	23.59	22.37	22.42	21.77	23.50	23.52	23.39
	64QAM	36	0	22.57	22.56	22.56	21.26	21.27	20.75	22.44	22.37	22.39	
		36	16	22.60	22.60	22.54	21.31	21.32	20.68	22.47	22.43	22.37	
		36	35	22.53	22.53	22.54	21.24	21.25	20.69	22.39	22.37	22.40	
		75	0	22.59	22.58	22.55	21.33	21.33	20.70	22.48	22.46	22.38	
		75	1	0	20.69	20.60	20.62	<b>19.45</b>	19.42	19.17	20.55	20.49	20.50
		75	1	37	<b>20.71</b>	20.61	20.65	19.40	19.44	19.17	20.54	20.51	20.56
		75	1	74	20.68	20.60	20.61	19.39	19.41	19.21	<b>20.62</b>	20.61	20.54
		75	36	0	20.57	20.54	20.58	19.31	19.28	19.23	20.44	20.38	20.40
		75	36	16	20.59	20.57	20.52	19.34	19.31	18.98	20.46	20.40	20.38
	256QAM	36	35	20.54	20.53	20.55	19.31	19.25	19.00	20.40	20.40	20.42	
		75	0	20.61	20.57	20.54	19.35	19.32	19.02	20.47	20.44	20.38	

**OUTPUT POWER FOR LTE BAND 71 (20.0 MHz)**

Bandwidth (MHz)	Modulation	RB Allocation	RB Offset	Conducted Average (dBm)									
				ANT 1			ANT 2			ANT 3			
				133222	133322	133372	133222	133322	133372	133222	133322	133372	
20.0	QPSK	1	0	673.0	683.0	688.0	673.0	683.0	688.0	673.0	683.0	688.0	
		1	49	<b>25.70</b>	25.63	25.68	24.61	<b>24.70</b>	<b>24.70</b>	25.05	<b>25.40</b>	25.15	
		1	99	25.62	25.58	25.59	24.56	24.64	24.61	25.12	25.34	25.36	
		50	0	25.51	25.45	25.48	24.50	24.60	24.44	25.12	25.27	25.19	
		50	24	25.00	24.96	24.97	23.65	23.65	23.70	24.26	24.40	24.41	
		50	49	25.00	24.98	24.98	23.67	23.73	23.65	24.28	24.45	24.44	
		50	49	24.90	24.89	24.89	23.64	23.68	23.66	24.19	24.38	24.26	
		100	0	24.59	24.56	24.47	23.76	23.79	23.66	24.30	24.44	24.06	
		100	0	24.75	24.64	24.70	23.48	23.46	23.46	24.36	24.44	24.54	
	16QAM	1	49	<b>24.84</b>	24.65	24.76	<b>23.58</b>	23.54	23.51	24.38	24.68	<b>24.69</b>	
		1	99	24.53	24.41	24.51	23.21	23.18	23.17	24.28	24.43	24.13	
		50	0	23.57	23.54	23.53	22.30	22.30	22.26	23.30	23.40	23.20	
		50	24	23.58	23.53	23.54	22.32	22.32	22.21	23.31	23.43	23.24	
		50	49	23.50	23.46	23.44	22.27	22.22	22.21	23.23	23.38	23.17	
		50	49	23.60	23.55	23.51	22.38	22.31	22.24	23.35	23.46	23.20	
		100	0	23.74	23.70	23.72	22.52	22.61	22.46	23.52	23.49	23.67	
		100	1	49	<b>23.81</b>	<b>23.81</b>	23.75	<b>22.80</b>	22.69	22.58	23.37	23.69	<b>23.77</b>
		100	1	99	23.61	23.55	23.53	22.52	22.45	22.24	23.31	23.39	23.50
	64QAM	50	0	22.54	22.54	22.52	21.33	21.29	21.27	22.26	22.35	22.54	
		50	24	22.57	22.56	22.54	21.36	21.32	21.22	22.30	22.41	22.55	
		50	49	22.49	22.46	22.43	21.26	21.22	21.22	22.22	22.32	22.43	
		100	0	22.59	22.55	22.49	21.36	21.32	21.22	22.32	22.41	22.48	
		100	1	0	<b>20.78</b>	20.67	20.64	19.45	<b>19.48</b>	19.34	20.46	20.48	<b>20.64</b>
		100	1	49	20.64	20.66	20.60	19.42	19.46	19.29	20.30	20.40	20.56
		100	1	99	20.71	20.61	20.58	19.41	19.45	19.23	20.45	20.48	20.49
		100	50	0	20.54	20.52	20.49	19.33	19.31	19.28	20.26	20.36	20.51
		100	50	24	20.56	20.53	20.53	19.36	19.34	19.16	20.29	20.37	20.54
	256QAM	50	49	20.49	20.48	20.48	19.32	19.25	19.23	20.25	20.33	20.49	
		100	0	20.59	20.55	20.44	19.37	19.34	19.22	20.30	20.39	20.46	

**5G NR n71**

<b>Test Engineer ID:</b>	28568	<b>Test Date:</b>	4/20/2023
--------------------------	-------	-------------------	-----------

**OUTPUT POWER FOR 5G NR n71 (5.0 MHz)**

Bandwidth (MHz)	Modulation	RB Allocation	RB Offset	Conducted Average (dBm)								
				ANT 1			ANT 2			ANT 3		
				133100	136100	139100	133100	136100	139100	133100	136100	139100
5.0	BPSK	1	0	25.52	25.25	25.20	24.39	24.17	24.08	25.21	24.98	24.81
		1	1	<b>25.70</b>	25.40	25.42	<b>24.70</b>	24.36	24.32	<b>25.40</b>	25.07	25.03
		1	23	25.62	25.40	25.34	24.60	24.34	24.20	25.31	25.11	24.93
		1	24	25.33	25.19	25.14	24.32	24.10	23.99	25.10	24.88	24.74
		12	6	25.63	25.49	25.40	24.55	24.42	24.25	25.37	25.21	25.03
		25	0	25.36	25.23	25.12	24.25	24.15	23.93	25.04	24.93	24.69
	QPSK	1	0	23.44	24.33	24.30	23.73	23.62	23.57	24.22	24.55	24.29
		1	1	24.55	25.03	24.96	<b>24.15</b>	23.89	23.86	25.31	25.16	25.06
		1	23	<b>25.26</b>	25.10	24.99	24.09	23.92	23.72	25.31	25.18	25.04
		1	24	24.37	24.30	24.10	23.35	23.15	22.99	24.58	24.43	24.27
		12	6	25.12	25.06	24.97	24.14	24.03	23.84	<b>25.32</b>	25.20	25.04
		25	0	24.18	24.33	24.23	23.40	23.26	23.09	24.56	24.46	24.27
	16QAM	1	0	22.37	23.18	23.17	22.25	22.40	21.83	23.40	23.47	23.45
		1	1	23.39	24.10	<b>24.31</b>	<b>23.48</b>	23.38	22.90	24.45	24.35	24.45
		1	23	24.10	24.13	23.98	23.44	23.38	22.75	24.48	24.38	24.43
		1	24	23.10	23.13	22.92	22.29	22.38	21.74	23.58	23.42	23.31
		12	6	24.13	24.29	24.17	23.35	23.26	23.07	<b>24.62</b>	24.43	24.21
		25	0	23.07	23.28	23.18	22.34	22.24	22.03	23.59	23.41	23.21
	64QAM	1	0	21.97	22.39	22.57	21.65	21.54	21.40	22.73	22.90	22.62
		1	1	22.01	22.32	22.56	21.52	21.43	21.50	22.89	22.79	22.70
		1	23	22.66	22.43	22.43	21.58	21.44	21.30	22.85	22.87	22.53
		1	24	22.68	22.41	22.43	21.56	21.42	21.39	22.95	22.81	22.45
		12	6	22.72	<b>22.88</b>	22.75	<b>21.83</b>	21.69	21.59	22.97	22.89	22.73
		25	0	22.63	22.83	22.75	21.82	21.73	21.53	<b>23.06</b>	22.90	22.71
	256QAM	1	0	20.23	20.22	20.33	19.47	19.26	18.98	21.07	20.89	20.81
		1	1	20.25	20.17	20.35	19.49	19.25	19.04	20.96	20.75	20.87
		1	23	20.38	20.13	20.23	19.31	19.28	18.91	20.83	20.79	20.81
		1	24	20.46	20.13	20.29	19.39	19.16	18.87	20.77	20.82	20.74
		12	6	20.84	20.79	20.63	<b>19.85</b>	19.81	19.47	<b>21.16</b>	20.97	20.77
		25	0	<b>20.88</b>	20.81	20.64	19.74	19.69	19.48	20.92	20.83	20.68

**OUTPUT POWER FOR 5G NR n71 (10.0 MHz)**

Bandwidth (MHz)	Modulation	RB Allocation	RB Offset	Conducted Average (dBm)								
				ANT 1			ANT 2			ANT 3		
				133600	136600	138600	133600	136600	138600	133600	136600	138600
10.0	BPSK	1	0	25.44	25.46	25.28	24.37	24.34	24.13	25.15	25.11	24.94
		1	1	<b>25.70</b>	25.54	25.62	<b>24.70</b>	24.47	24.33	<b>25.40</b>	25.15	25.10
		1	50	25.50	25.54	25.39	24.42	24.44	24.18	25.15	25.18	24.93
		1	51	25.26	25.33	25.23	24.25	24.27	24.01	24.94	25.01	24.69
		25	12	25.53	25.40	25.40	24.40	24.40	24.24	25.12	25.12	24.94
		50	0	25.36	25.27	25.21	24.21	24.22	24.05	25.05	24.97	24.82
	QPSK	1	0	23.57	24.51	24.46	23.74	23.89	23.71	24.38	24.43	24.40
		1	1	24.64	25.15	25.15	<b>24.27</b>	24.06	23.94	<b>25.40</b>	25.15	25.12
		1	50	<b>25.19</b>	25.15	24.96	24.02	24.08	23.80	25.19	25.19	25.03
		1	51	24.39	24.41	23.94	23.32	23.33	23.07	24.51	24.43	24.23
		25	12	25.15	25.01	25.00	24.04	24.00	23.80	25.21	25.16	24.97
		50	0	24.44	24.32	24.31	23.29	23.28	23.14	24.55	24.46	24.26
	16QAM	1	0	22.28	23.46	23.48	22.07	22.35	22.30	23.14	23.76	23.28
		1	1	23.32	24.45	<b>24.66</b>	23.18	23.36	23.33	24.23	<b>24.81</b>	24.55
		1	50	24.08	24.52	24.28	23.13	<b>23.40</b>	23.17	24.34	24.75	24.57
		1	51	23.09	23.49	23.24	22.16	22.34	22.09	23.28	23.81	23.21
		25	12	24.39	24.30	24.31	23.32	23.30	23.05	24.61	24.46	24.34
		50	0	23.41	23.30	23.30	22.30	22.34	22.15	23.44	23.42	23.35
	64QAM	1	0	22.00	22.69	22.91	21.57	21.63	21.43	22.60	23.05	23.04
		1	1	22.05	22.43	22.84	21.55	21.53	21.37	22.85	<b>23.09</b>	22.87
		1	50	22.73	22.55	22.64	21.60	21.46	21.29	22.96	22.89	23.02
		1	51	22.70	22.52	22.61	21.57	21.57	21.21	22.98	23.02	22.83
		25	12	<b>22.94</b>	22.86	22.83	<b>21.80</b>	21.74	21.62	23.02	22.93	22.82
		50	0	<b>22.94</b>	22.79	22.78	<b>21.80</b>	21.79	21.56	23.04	22.97	22.84
	256QAM	1	0	20.23	20.70	20.74	19.65	19.15	19.41	21.09	<b>21.32</b>	20.92
		1	1	20.09	20.59	20.76	19.59	19.06	19.35	21.10	21.11	20.91
		1	50	20.39	20.59	20.57	19.49	19.01	19.01	20.90	21.18	20.80
		1	51	20.30	20.53	20.39	19.48	18.97	19.11	20.90	21.23	20.72
		25	12	<b>20.88</b>	20.78	20.76	19.78	19.72	19.62	20.93	20.85	20.70
		50	0	20.80	20.80	20.73	<b>19.79</b>	19.75	19.61	20.98	20.93	20.73

**OUTPUT POWER FOR 5G NR n71 (15.0 MHz)**

Bandwidth (MHz)	Modulation	RB Allocation	RB Offset	Conducted Average (dBm)								
				ANT 1			ANT 2			ANT 3		
				134100	136100	138100	134100	136100	138100	134100	136100	138100
15.0	BPSK	1	0	25.40	25.27	25.17	24.46	24.39	24.28	25.34	24.99	25.02
		1	1	<b>25.70</b>	25.39	25.35	<b>24.70</b>	24.51	24.35	<b>25.40</b>	25.12	25.10
		1	77	25.44	25.33	25.09	24.48	24.37	24.18	25.18	25.02	24.87
		1	78	25.27	25.13	24.86	24.29	24.14	24.00	25.02	24.78	24.65
		36	18	25.35	25.27	25.18	24.44	24.32	24.24	25.19	25.05	24.92
		75	0	25.18	25.13	25.01	24.28	24.15	24.08	24.99	24.89	24.80
	QPSK	1	0	23.50	24.47	24.24	23.71	23.84	23.67	24.22	24.47	24.56
		1	1	24.60	<b>25.06</b>	24.78	<b>24.27</b>	23.98	23.88	<b>25.30</b>	25.17	25.16
		1	77	25.04	24.92	24.61	24.08	23.93	23.74	25.18	25.11	25.00
		1	78	24.30	24.26	23.81	23.43	23.20	22.95	24.55	24.36	24.26
		36	18	25.00	24.84	24.81	24.07	23.95	23.90	<b>25.30</b>	25.16	24.98
		75	0	24.33	24.24	24.14	23.36	23.27	23.17	24.57	24.43	24.39
	16QAM	1	0	22.61	23.32	22.95	22.28	22.54	22.25	23.66	23.68	23.47
		1	1	23.77	24.17	24.12	23.40	23.38	23.20	24.54	24.55	24.39
		1	77	<b>24.41</b>	24.05	23.52	<b>23.53</b>	23.34	23.01	<b>24.84</b>	24.41	24.20
		1	78	23.41	23.02	22.54	22.49	22.30	22.03	23.82	23.46	23.14
		36	18	24.38	24.28	24.11	23.40	23.30	23.23	24.59	24.46	24.27
		75	0	23.38	23.22	23.10	22.40	22.34	22.14	23.54	23.42	23.32
	64QAM	1	0	21.63	22.69	22.40	21.34	<b>21.91</b>	21.52	22.48	23.04	22.83
		1	1	21.89	22.64	22.25	21.40	21.86	21.52	22.69	22.88	22.95
		1	77	22.56	22.39	21.96	21.33	21.67	21.24	22.53	22.87	22.75
		1	78	22.38	22.55	21.96	21.30	21.72	21.14	22.70	22.87	22.63
		36	18	<b>22.79</b>	22.76	22.66	21.83	21.76	21.69	23.02	22.93	22.76
		75	0	22.77	22.70	22.59	21.87	21.71	21.61	<b>23.07</b>	22.94	22.78
	256QAM	1	0	20.12	20.75	20.37	19.68	19.73	19.45	<b>21.51</b>	21.21	21.06
		1	1	20.10	20.61	20.24	19.70	19.61	19.32	21.47	21.05	21.15
		1	77	20.27	20.45	19.98	19.40	19.40	19.06	21.27	20.98	20.85
		1	78	20.43	20.47	19.95	19.49	19.46	19.17	21.31	20.90	20.90
		36	18	<b>20.86</b>	20.71	20.60	<b>19.85</b>	19.75	19.71	20.96	20.89	20.71
		75	0	20.69	20.58	20.50	19.75	19.64	19.64	20.94	20.82	20.73

**OUTPUT POWER FOR 5G NR n71 (20.0 MHz)**

Bandwidth (MHz)	Modulation	RB Allocation	RB Offset	Conducted Average (dBm)								
				ANT 1			ANT 2			ANT 3		
				134600	136600	137600	134600	136600	137600	134600	136600	137600
20.0	BPSK	1	0	25.43	25.43	25.33	24.47	24.43	24.37	25.22	24.97	24.96
		1	1	<b>25.70</b>	25.50	25.41	<b>24.70</b>	24.52	24.50	<b>25.40</b>	25.18	25.14
		1	104	25.46	25.31	25.13	24.40	24.41	24.25	25.10	24.98	24.78
		1	105	25.13	25.12	24.88	24.17	24.11	24.02	24.91	24.77	24.61
		50	25	25.50	25.42	25.41	24.51	24.42	24.39	25.19	25.12	25.09
		100	0	25.37	25.22	25.14	24.28	24.25	24.11	24.95	24.92	24.75
	QPSK	1	0	23.90	24.59	24.49	23.90	23.86	23.84	24.57	24.62	24.64
		1	1	24.91	<b>25.23</b>	25.06	<b>24.24</b>	24.05	24.05	<b>25.30</b>	<b>25.30</b>	25.18
		1	104	25.01	24.95	24.86	23.95	23.90	23.80	24.91	25.05	24.85
		1	105	24.27	24.28	23.92	23.20	23.15	23.03	24.29	24.31	24.19
		50	25	25.03	25.04	24.97	24.07	24.06	23.96	25.09	25.17	25.11
		100	0	24.40	24.33	24.30	23.34	23.30	23.19	24.44	24.46	24.28
	16QAM	1	0	22.61	23.58	22.83	22.76	22.39	22.32	23.61	23.21	23.46
		1	1	23.68	<b>24.36</b>	24.16	<b>23.80</b>	23.16	23.34	<b>24.63</b>	24.15	24.20
		1	104	24.06	24.27	23.78	23.48	22.93	23.09	24.58	24.08	24.05
		1	105	22.98	23.10	22.76	22.43	22.11	22.02	23.52	22.84	23.06
		50	25	24.28	24.33	24.25	23.32	23.33	23.25	24.47	24.43	24.37
		100	0	23.45	23.31	23.25	22.37	22.33	22.18	23.42	23.43	23.32
	64QAM	1	0	21.89	22.62	22.72	21.58	21.59	21.80	22.88	23.03	<b>23.10</b>
		1	1	22.12	22.53	22.60	21.57	21.37	21.62	23.04	22.87	22.71
		1	104	22.49	22.29	22.38	21.30	21.30	21.33	22.75	22.80	22.53
		1	105	22.35	22.24	22.39	21.25	21.31	21.23	22.48	22.60	22.42
		50	25	22.83	22.73	22.72	<b>21.83</b>	<b>21.83</b>	21.71	22.92	22.92	22.84
		100	0	<b>22.87</b>	22.73	22.77	21.80	21.81	21.61	22.91	22.90	22.73
	256QAM	1	0	19.92	20.46	20.77	19.73	19.50	19.72	21.25	<b>21.32</b>	<b>21.32</b>
		1	1	19.91	20.24	20.45	<b>19.90</b>	19.43	19.61	21.00	21.17	21.18
		1	104	20.13	20.28	20.53	19.52	19.29	19.68	20.71	21.17	20.82
		1	105	20.20	20.23	20.24	19.52	19.30	19.47	20.74	21.15	20.88
		50	25	20.77	20.76	20.68	19.83	19.77	19.69	20.90	20.86	20.83
		100	0	<b>20.88</b>	20.68	20.69	19.81	19.75	19.59	20.87	20.89	20.69

### 8.15. 5G NR n77 (Part 27 3450-3550MHz)

Test Engineer ID:	28498	Test Date:	4/24/2023
-------------------	-------	------------	-----------

#### OUTPUT POWER FOR 5G NR n77 (10.0 MHz)

Bandwidth (MHz)	Modulation	RB Allocation	RB Offset	Conducted Average (dBm)											
				ANT 7			ANT 8			ANT 9			ANT 4		
				630333	633332	636333	630333	633332	636333	630333	633332	636333	630333	633332	636333
10.0	BPSK	1	0	25.62	25.75	25.88	22.58	21.30	21.19	26.21	26.12	25.98	23.63	23.22	22.15
		1	1	28.19	28.30	28.37	26.20	24.84	24.71	28.69	28.62	28.52	23.59	23.18	22.23
		1	22	28.24	28.34	28.34	26.15	24.83	24.76	28.68	28.70	28.49	23.45	24.20	23.16
		1	23	25.72	25.65	25.82	22.62	21.24	21.09	26.12	26.06	25.99	23.32	23.87	23.13
		12	6	28.24	28.26	28.70	26.16	24.87	24.73	28.59	28.50	28.56	23.60	23.67	22.63
		24	0	28.31	28.28	28.38	25.66	24.32	24.29	28.61	28.60	28.53	23.55	23.71	22.61
		1	0	25.37	25.36	25.39	22.64	21.41	21.23	26.07	26.12	26.09	23.46	23.16	21.94
		1	1	27.90	27.89	27.94	25.70	24.46	24.22	28.58	28.59	28.59	23.51	23.18	22.05
	QPSK	1	22	27.86	27.94	27.93	25.77	24.50	24.26	28.66	28.62	28.63	23.24	24.15	23.09
		1	23	25.32	25.40	25.39	22.22	20.86	20.69	26.09	26.01	26.10	23.23	23.79	23.04
		12	6	27.81	27.88	27.95	25.75	24.45	24.28	28.59	28.49	28.49	23.44	23.62	22.45
		24	0	27.85	27.91	28.30	24.72	23.41	23.35	28.60	28.61	28.63	23.47	23.58	22.45
		1	0	25.51	25.09	25.62	22.28	20.38	20.81	26.08	25.76	25.99	22.63	22.38	21.00
		1	1	27.97	27.66	28.07	24.65	22.99	23.37	28.50	28.24	28.48	23.47	23.47	22.02
		1	22	27.97	27.60	28.27	24.82	23.02	23.30	28.54	28.22	28.61	23.39	24.07	23.04
		1	23	25.41	25.21	25.69	22.17	20.38	20.70	26.08	25.75	26.19	22.25	23.10	22.01
	16QAM	12	6	27.80	27.82	27.98	24.75	23.45	23.28	28.44	28.52	28.50	23.46	23.74	22.39
		24	0	26.83	26.99	26.95	22.90	22.45	22.31	27.58	27.53	27.55	22.42	22.68	21.37
		1	0	25.42	25.55	25.26	20.84	20.84	20.80	26.32	26.20	26.03	22.11	21.83	20.23
		1	1	26.40	26.49	26.20	21.91	21.81	21.89	27.29	27.20	27.02	21.86	21.89	20.40
		1	22	26.54	26.50	26.17	21.83	21.83	21.86	27.39	27.23	27.00	21.83	22.53	21.38
		1	23	25.45	25.42	25.14	20.92	20.85	20.83	26.27	26.11	26.11	21.78	22.44	21.43
		12	6	26.39	26.52	26.49	22.02	21.89	21.79	27.17	26.95	27.11	21.88	22.14	20.80
		24	0	26.39	26.46	26.45	22.01	21.86	21.77	27.12	27.02	27.13	21.89	21.99	21.03
	64QAM	1	0	24.61	24.57	24.34	20.31	20.20	19.94	25.12	25.18	25.08	20.08	19.91	18.74
		1	1	24.46	24.59	24.33	20.21	20.17	20.03	25.06	25.07	25.12	20.11	19.77	18.78
		1	22	24.47	24.72	24.45	20.28	20.21	19.87	25.15	24.93	24.94	20.11	20.57	19.51
		1	23	24.48	24.60	24.39	20.20	20.13	19.94	25.04	25.04	25.02	19.82	20.51	19.58
		12	6	24.38	24.39	24.48	20.07	19.89	19.81	25.05	24.96	25.12	19.82	20.10	18.90
		24	0	24.30	24.34	24.48	20.05	19.93	19.82	24.97	24.97	25.02	19.92	20.01	18.89

#### OUTPUT POWER FOR 5G NR n77 (15.0 MHz)

Bandwidth (MHz)	Modulation	RB Allocation	RB Offset	Conducted Average (dBm)											
				ANT 7			ANT 8			ANT 9			ANT 4		
				630500	633332	636166	630500	633332	636166	630500	633332	636166	630500	633332	636166
15.0	BPSK	1	0	26.03	26.05	25.73	22.61	22.54	22.56	25.94	25.99	25.93	23.73	22.99	21.89
		1	1	28.53	28.52	28.22	26.10	26.20	26.05	28.52	28.61	28.47	23.74	23.09	21.80
		1	36	28.60	28.55	28.30	26.13	26.06	26.01	28.70	28.50	28.52	22.96	24.01	23.06
		1	37	26.02	25.98	25.78	22.60	22.53	22.53	26.14	26.04	25.98	22.92	24.20	23.13
		18	9	28.59	28.40	28.24	26.03	26.09	25.96	28.49	28.50	28.42	23.61	23.60	22.20
		36	0	28.70	28.44	28.23	25.55	25.61	25.51	28.53	28.46	28.50	23.49	23.58	22.30
		1	0	25.65	25.55	25.37	22.74	22.58	22.58	26.08	26.04	25.95	23.49	22.78	21.16
		1	1	28.18	28.05	27.83	25.75	25.67	25.68	28.48	28.66	28.48	23.60	22.87	21.63
	QPSK	1	36	28.29	28.10	27.91	25.77	25.69	25.61	28.63	28.58	28.52	22.86	23.83	22.88
		1	37	25.56	25.36	25.40	22.22	22.14	22.09	26.04	26.09	26.02	22.80	23.87	22.98
		18	9	28.08	27.77	27.90	25.61	25.67	25.55	28.47	28.49	28.48	23.54	23.72	22.13
		36	0	28.05	27.84	27.74	24.62	24.68	24.51	28.54	28.54	28.44	23.39	23.48	21.83
		1	0	25.73	25.60	25.19	22.29	22.23	22.07	25.86	25.94	26.14	22.62	22.04	20.14
		1	1	28.27	28.08	27.70	24.68	24.76	24.79	28.40	28.43	28.65	23.62	23.17	21.09
		1	36	28.25	28.10	27.74	24.74	24.53	24.64	28.43	28.50	28.60	22.89	23.75	22.88
		1	37	25.73	25.35	25.28	22.23	22.10	21.95	26.00	25.99	26.21	21.90	23.07	21.82
	16QAM	18	9	28.08	27.86	27.93	24.72	24.49	24.45	28.49	28.52	28.55	23.50	23.63	21.71
		36	0	27.03	26.73	26.76	23.64	23.58	23.48	27.46	27.59	27.45	22.35	22.51	20.87
		1	0	25.62	25.27	25.39	22.27	22.08	21.91	26.15	26.23	26.23	22.06	21.52	19.81
		1	1	26.67	26.29	26.34	23.14	23.21	22.90	27.09	27.13	27.22	21.90	21.41	19.78
		1	36	26.76	26.08	26.41	23.16	23.04	22.70	27.20	27.03	27.27	21.19	22.65	21.56
		1	37	25.61	25.01	25.34	22.19	22.01	21.89	26.09	26.04	26.22	21.41	22.54	21.48
		18	9	26.50	26.19	26.41	23.13	23.15	23.09	26.93	27.07	26.96	21.95	22.06	20.45
		36	0	26.52	26.20	26.22	23.11	23.01	23.00	26.88	27.01	26.88	21.85	22.02	20.43
	64QAM	1	0	24.69	24.16	24.30	21.36	21.27	21.21	25.17	24.86	24.92	20.16	19.47	18.30
		1	1	24.60	24.22	24.15	21.16	21.29	21.28	25.10	24.80	24.49	20.23	19.36	18.37
		1	36	24.65	24.08	24.30	21.12	21.22	21.33	25.29	24.71	24.82	19.34	20.33	19.39
		1	37	24.65	24.13	24.35	21.17	21.19	21.28	25.28	24.68	24.76	19.38	20.39	19.62
		18	9	24.47	24.14	24.29	21.04	21.09	21.08	24.88	24.84	24.84	19.81	19.96	18.61
		36	0	24.56	24.18	24.13	21.08	21.05	20.98	24.99	24.96	24.88	19.82	19.98	18.68

**OUTPUT POWER FOR 5G NR n77 (20.0 MHz)**

Bandwidth (MHz)	Modulation	RB Allocation	RB Offset	Conducted Average (dBm)											
				ANT 7			ANT 8			ANT 9			ANT 4		
				630666	633332	635998	630666	633332	635998	630666	633332	635998	630666	633332	635998
20.0	BPSK	1	0	25.95	26.07	26.06	22.53	22.53	22.56	25.85	26.02	25.77	24.00	22.81	22.00
		1	1	28.43	28.57	28.47	25.97	26.08	<b>26.20</b>	28.38	<b>28.70</b>	28.33	24.00	22.77	21.89
		1	49	28.50	28.53	<b>28.70</b>	26.06	26.10	26.11	28.55	28.54	28.38	22.70	24.09	23.08
		1	50	25.86	26.04	26.07	22.53	22.54	22.54	25.96	25.87	25.77	<b>24.20</b>	22.71	23.22
		25	12	28.39	28.44	28.41	25.98	26.01	26.11	28.43	28.42	28.31	23.59	23.90	22.18
	50	0	28.46	28.45	28.45	25.50	25.54	25.62	28.40	28.41	28.30	23.49	23.79	22.33	
	QPSK	1	0	25.49	25.45	25.53	22.52	22.54	22.71	25.93	26.02	25.77	23.65	22.79	21.48
		1	1	28.07	28.01	28.00	25.54	25.68	<b>25.77</b>	28.37	28.45	28.28	23.77	22.88	21.83
		1	49	<b>28.37</b>	27.98	28.07	25.60	25.66	<b>25.77</b>	<b>28.64</b>	28.47	28.36	22.40	<b>24.07</b>	22.95
		1	50	25.49	25.37	25.52	22.08	22.08	22.24	25.99	25.93	25.81	22.40	23.93	23.12
		25	12	28.01	27.93	27.97	25.58	25.61	25.72	28.36	28.43	28.29	23.36	23.81	22.10
	50	0	28.05	27.96	27.96	24.58	24.62	24.68	28.38	28.46	28.37	23.31	23.67	21.90	
	16QAM	1	0	25.62	25.44	25.03	22.29	22.29	22.30	25.88	26.21	25.98	22.54	21.71	20.07
		1	1	28.16	27.99	27.50	24.68	24.82	<b>24.83</b>	28.52	28.52	28.54	23.67	22.68	20.95
		1	49	<b>28.27</b>	27.98	27.51	24.77	24.82	24.78	<b>28.62</b>	28.54	28.58	22.25	<b>23.93</b>	22.55
		1	50	25.63	25.35	25.12	22.29	22.27	22.26	26.10	26.19	26.00	21.31	22.92	21.62
		25	12	28.05	28.00	27.82	24.51	24.64	24.70	28.38	28.38	28.37	23.46	23.80	21.69
	50	0	27.07	27.00	26.94	23.56	23.64	23.68	27.41	27.42	27.33	22.30	22.61	20.94	
	64QAM	1	0	25.51	25.40	25.58	21.96	22.02	22.13	25.83	26.00	25.96	21.93	20.99	20.07
		1	1	26.39	26.47	26.50	22.85	23.07	23.12	26.92	26.98	26.87	22.01	21.19	20.12
		1	49	26.40	26.37	<b>26.55</b>	22.90	23.01	23.09	27.05	<b>27.09</b>	26.95	20.79	22.33	21.50
		1	50	25.26	25.36	25.51	21.92	21.99	22.09	25.95	25.94	25.84	20.77	<b>22.46</b>	21.38
		25	12	<b>26.55</b>	26.48	26.38	22.97	23.05	23.12	26.94	26.84	26.85	21.97	22.19	20.18
	50	0	26.45	26.45	26.39	23.00	23.09	<b>23.15</b>	26.91	26.90	26.80	21.81	22.12	20.41	
	256QAM	1	0	<b>24.63</b>	24.55	24.50	<b>21.40</b>	21.28	21.27	24.66	<b>25.09</b>	24.78	20.18	19.15	18.39
		1	1	24.39	<b>24.63</b>	24.39	21.34	21.23	21.29	24.82	24.98	24.95	20.33	19.33	18.15
		1	49	24.57	24.56	24.46	21.38	21.23	21.23	24.80	25.06	24.94	19.07	<b>20.55</b>	19.55
		1	50	24.58	24.56	24.45	<b>21.40</b>	21.21	21.23	24.97	24.79	24.90	18.89	20.26	19.53
		25	12	24.49	24.57	24.37	20.94	21.03	21.05	24.79	24.79	24.72	19.90	20.14	18.48
	50	0	24.51	24.49	24.40	21.02	21.15	21.16	24.88	24.89	24.78	19.74	20.09	18.77	

**OUTPUT POWER FOR 5G NR n77 (30.0 MHz)**

Bandwidth (MHz)	Modulation	RB Allocation	RB Offset	Conducted Average (dBm)											
				ANT 7			ANT 8			ANT 9			ANT 4		
				631000	633332	635666	631000	633332	635666	631000	633332	635666	631000	633332	635666
30.0	BPSK	1	0	26.03	25.96	25.96	22.57	22.63	22.66	25.81	25.94	25.85	24.10	22.54	23.10
		1	1	<b>28.70</b>	28.41	28.41	26.05	26.12	26.15	28.35	<b>28.70</b>	28.31	<b>24.20</b>	22.79	22.91
		1	76	28.49	28.35	28.43	26.10	26.16	<b>26.20</b>	28.43	28.35	<b>28.70</b>	22.23	23.88	23.52
		1	77	25.93	25.86	25.79	22.57	22.61	22.61	25.97	25.82	25.82	22.25	23.86	23.65
		36	18	28.41	28.30	28.33	26.04	26.06	26.11	28.30	28.41	28.29	23.33	24.04	22.31
	75	0	28.49	28.31	28.40	25.56	25.58	25.63	28.25	28.36	28.34	23.27	23.88	22.62	
	QPSK	1	0	25.52	25.51	25.53	22.66	22.61	22.67	25.85	25.93	25.83	24.06	22.41	23.02
		1	1	<b>28.43</b>	27.96	28.12	25.68	25.67	25.69	28.37	<b>28.55</b>	28.37	<b>24.07</b>	22.56	22.90
		1	76	28.03	27.87	28.04	25.70	25.71	<b>25.73</b>	28.42	28.35	28.41	22.14	23.72	23.44
		1	77	25.51	25.40	25.48	22.16	22.11	22.21	25.86	25.86	25.89	22.09	23.68	23.43
		36	18	28.01	27.80	27.93	25.61	25.63	25.65	28.29	28.33	28.30	23.10	23.82	22.14
	75	0	28.08	27.88	28.05	24.60	24.61	24.67	28.34	28.44	28.32	23.15	23.65	22.10	
	16QAM	1	0	25.32	25.46	25.63	22.16	22.35	22.24	25.72	26.07	26.13	22.82	21.72	21.67
		1	1	27.74	27.98	<b>28.27</b>	24.56	24.77	24.69	28.23	28.33	28.50	<b>24.00</b>	22.49	22.73
		1	76	27.90	28.07	28.15	24.55	<b>24.83</b>	24.72	<b>28.53</b>	28.48	28.43	21.85	23.94	23.38
		1	77	25.15	25.56	25.49	22.03	22.33	22.14	25.98	25.90	26.07	21.07	22.94	22.36
		36	18	27.98	27.86	28.02	24.56	24.53	24.62	28.35	28.34	28.34	23.13	23.82	21.58
	75	0	27.03	27.07	27.10	23.58	23.61	23.65	27.37	27.35	27.29	22.17	22.64	21.07	
	64QAM	1	0	25.47	25.54	25.11	21.95	22.11	22.17	25.99	26.16	26.04	22.54	21.14	21.18
		1	1	26.34	26.49	<b>26.55</b>	22.85	22.99	23.07	<b>27.21</b>	27.07	26.87	<b>22.70</b>	20.88	21.17
		1	76	26.41	26.34	26.42	22.87	23.07	23.11	27.02	26.99	26.95	20.55	22.19	21.71
		1	77	25.26	25.35	25.36	21.86	22.03	22.07	26.15	25.95	25.95	20.71	22.27	21.64
		36	18	26.41	26.46	26.46	23.06	23.06	23.06	26.77	26.81	26.72	21.69	22.25	20.16
	75	0	26.49	26.50	26.49	23.06	23.08	<b>23.14</b>	26.75	26.85	26.78	21.66	22.15	20.52	
	256QAM	1	0	24.33	24.63	24.69	<b>21.44</b>	<b>21.44</b>	21.22	24.58	24.74	25.04	<b>20.52</b>	18.90	19.05
		1	1	24.41	24.68	<b>24.72</b>	21.35	21.34	21.13	24.59	24.80	24.78	20.46	18.93	19.40
		1	76	24.28	24.49	24.56	21.38	21.34	21.17	24.72	24.75	24.88	18.68	20.22	19.85
		1	77	24.41	24.40	24.57	21.37	21.34	21.15	24.89	24.85	<b>25.05</b>	18.58	20.28	19.87
		36	18	24.39	24.38	24.35	21.00	21.04	21.03	24.82	24.78	24.66	19.72	20.25	18.64
	75	0	24.33	24.39	24.33	21.02	21.00	21.06	24.80	24.75	24.68	19.71	20.22	18.82	

**OUTPUT POWER FOR 5G NR n77 (40.0 MHz)**

Bandwidth (MHz)	Modulation	RB Allocation	RB Offset	Conducted Average (dBm)											
				ANT 7			ANT 8			ANT 9			ANT 4		
				631332	633332	635332	631332	633332	635332	631332	633332	635332	631332	633332	635332
40.0	BPSK	1	0	25.18	25.19	25.20	22.56	22.57	22.66	25.22	25.36	25.43	<b>24.20</b>	22.05	23.74
		1	1	28.47	28.45	28.37	25.99	26.09	26.08	<b>28.70</b>	28.56	28.68	<b>24.20</b>	22.04	23.85
		1	104	28.52	28.35	<b>28.70</b>	26.06	26.16	<b>26.20</b>	28.48	28.45	28.59	22.66	22.87	23.13
		1	105	25.25	25.14	25.23	22.50	22.56	22.66	25.27	25.23	25.25	22.66	22.85	23.21
		50	25	28.46	28.29	28.31	25.94	26.00	25.92	28.61	28.53	28.33	22.60	23.56	22.13
		100	0	28.29	28.13	28.15	25.44	25.52	25.41	28.29	28.25	28.18	22.84	23.36	22.56
	QPSK	1	0	24.50	24.33	24.37	22.66	22.66	22.69	24.71	24.97	24.91	<b>24.04</b>	21.67	23.60
		1	1	<b>27.84</b>	27.64	27.60	25.24	25.26	25.23	27.38	<b>27.64</b>	27.39	23.63	21.78	23.46
		1	104	27.76	27.52	27.66	25.29	<b>25.32</b>	25.31	27.48	27.44	27.51	22.43	22.72	22.87
		1	105	24.50	24.31	24.34	21.71	21.78	21.72	24.88	24.84	25.02	22.24	22.64	22.69
		50	25	27.60	27.45	27.45	25.08	25.13	25.04	27.31	27.29	27.23	22.32	23.28	21.74
		100	0	26.88	26.74	26.75	24.07	24.12	24.02	27.35	27.39	27.34	22.60	23.01	22.07
	16QAM	1	0	24.41	24.19	24.56	21.63	21.48	21.79	24.55	24.92	25.06	22.76	20.59	22.51
		1	1	27.12	26.95	26.53	24.07	23.93	24.20	27.06	27.54	27.55	<b>23.94</b>	21.67	23.57
		1	104	<b>27.27</b>	26.86	26.89	24.15	23.98	<b>24.29</b>	27.30	27.47	<b>27.60</b>	22.35	22.51	22.73
		1	105	24.29	24.50	24.19	21.55	21.45	21.77	24.41	24.93	25.23	21.40	21.37	21.88
		50	25	26.79	26.78	26.66	24.07	24.14	24.00	27.32	27.32	27.31	22.30	23.10	21.41
		100	0	25.86	25.85	25.68	23.00	23.12	23.03	26.38	26.34	26.32	21.52	21.84	21.07
	64QAM	1	0	24.33	24.35	24.22	21.77	21.87	21.86	24.88	25.24	24.97	<b>21.87</b>	20.03	21.78
		1	1	25.26	25.28	25.29	22.68	22.75	22.73	25.96	26.11	26.15	21.82	20.02	21.59
		1	104	24.95	<b>25.48</b>	25.30	22.74	<b>22.85</b>	22.79	<b>26.17</b>	25.98	26.07	20.49	21.23	21.19
		1	105	24.22	24.28	24.48	21.69	21.78	21.81	25.24	24.93	25.24	20.43	21.01	21.39
		50	25	25.26	25.28	25.12	22.53	22.60	22.50	25.82	25.75	25.80	20.72	21.59	20.04
		100	0	25.34	25.32	25.19	22.52	22.59	22.56	25.85	25.72	25.85	20.97	21.27	20.69
	256QAM	1	0	22.77	23.26	23.24	20.92	20.89	<b>21.05</b>	23.48	24.09	23.64	19.85	17.99	<b>20.02</b>
		1	1	22.94	23.06	<b>23.38</b>	20.83	20.82	20.95	23.32	24.05	23.69	19.98	17.86	<b>20.02</b>
		1	104	23.01	23.15	23.29	20.85	20.82	21.01	23.64	23.98	23.94	18.46	19.12	19.34
		1	105	23.03	23.06	22.93	20.83	20.79	20.97	23.62	<b>24.20</b>	23.88	18.66	19.04	19.67
		50	25	23.20	23.32	23.20	20.55	20.56	20.52	23.72	23.80	23.79	18.77	19.62	18.38
		100	0	23.28	23.35	23.29	20.56	20.54	20.51	23.72	23.71	23.80	18.88	19.31	18.72

**OUTPUT POWER FOR 5G NR n77 (50.0 MHz)**

Bandwidth (MHz)	Modulation	RB Allocation	RB Offset	Conducted Average (dBm)											
				ANT 7			ANT 8			ANT 9			ANT 4		
				631666	633332	634998	631666	633332	634998	631666	633332	634998	631666	633332	634998
50.0	BPSK	1	0	25.08	24.95	25.06	22.62	22.62	22.62	25.35	25.36	25.21	24.00	22.00	23.88
		1	1	28.47	28.20	28.28	<b>26.20</b>	<b>26.06</b>	26.09	<b>28.70</b>	28.53	28.40	<b>24.20</b>	21.95	23.78
		1	131	28.11	<b>28.70</b>	28.04	26.10	26.11	26.05	28.52	28.40	28.42	23.70	22.55	23.05
		1	132	24.84	25.38	24.59	22.51	22.53	22.47	25.19	25.18	25.14	23.68	22.40	23.37
		64	32	28.16	28.15	28.53	25.99	26.04	26.10	28.57	28.42	28.46	22.25	23.60	22.65
		128	0	27.85	28.00	28.24	25.45	25.51	25.58	28.36	28.29	28.30	22.79	23.15	23.10
	QPSK	1	0	24.18	24.43	24.49	22.65	22.55	22.68	25.02	25.05	24.91	23.55	21.76	23.77
		1	1	26.86	26.78	<b>27.06</b>	<b>25.34</b>	25.18	25.31	<b>28.23</b>	27.52	27.47	23.66	21.82	<b>23.94</b>
		1	131	27.02	26.85	27.05	25.26	25.19	25.26	27.49	27.37	27.35	23.22	22.27	22.96
		1	132	24.42	24.29	24.43	21.73	21.66	21.65	25.01	24.83	24.89	23.32	22.52	22.99
		64	32	26.85	26.81	26.87	25.12	25.20	25.25	27.51	27.34	27.31	21.98	23.36	22.43
		128	0	26.84	26.88	26.88	24.05	24.12	24.15	27.47	27.43	27.36	22.47	23.00	22.78
	16QAM	1	0	24.27	24.52	24.10	21.87	21.81	21.85	25.03	25.27	24.75	22.40	20.67	22.87
		1	1	26.90	26.90	26.82	<b>24.44</b>	24.22	24.26	27.58	<b>27.87</b>	27.31	23.52	21.67	<b>23.85</b>
		1	131	<b>26.92</b>	26.82	26.41	24.33	24.23	24.20	27.42	27.39	27.22	23.22	22.17	22.72
		1	132	24.34	24.03	24.19	21.77	21.75	21.64	24.98	25.12	24.85	21.92	21.29	21.78
		64	32	26.81	26.75	26.85	24.10	24.15	24.22	27.52	27.43	27.42	21.92	23.28	22.39
		128	0	25.79	25.84	25.97	23.06	23.11	23.15	26.55	26.40	26.38	21.38	21.93	21.80
	64QAM	1	0	24.13	24.52	24.62	21.29	21.73	21.77	24.82	25.10	25.44	21.79	20.44	21.95
		1	1	25.23	25.47	25.42	22.35	22.64	22.64	26.02	<b>26.19</b>	26.09	22.27	20.39	<b>22.38</b>
		1	131	25.51	<b>25.53</b>	25.37	22.25	<b>22.68</b>	22.57	25.86	25.90	26.07	21.55	20.97	21.47
		1	132	24.19	24.24	24.18	21.24	21.64	21.61	24.96	24.82	25.12	21.28	20.76	21.11
		64	32	25.28	25.31	25.37	22.59	<b>22.68</b>	22.68	25.97	25.91	25.86	20.34	21.66	20.85
		128	0	25.30	25.34	25.34	22.55	22.58	22.59	25.92	25.92	25.86	21.02	21.36	21.30
	256QAM	1	0	23.55	23.28	23.32	20.86	20.84	<b>20.97</b>	23.80	23.86	23.71	19.89	18.18	<b>20.52</b>
		1	1	<b>23.76</b>	23.09	23.32	20.88	20.77	20.84	23.69	<b>23.98</b>	23.82	20.07	18.25	20.26
		1	131	23.44	23.08	23.08	20.81	20.81	20.79	23.78	23.72	23.90	19.78	18.87	19.51
		1	132	23.36	23.11	23.17	20.81	20.81	20.78	23.78	23.90	23.69	19.86	18.74	19.45
		64	32	23.22	23.32	23.26	20.59	20.64	20.65	23.96	23.84	23.84	18.38	19.60	18.86
		128	0	23.20	23.27	23.30	20.53	20.56	20.59	23.91	23.82	23.82	18.93	19.25	19.30

**OUTPUT POWER FOR 5G NR n77 (60.0 MHz)**

Bandwidth (MHz)	Modulation	RB Allocation	RB Offset	Conducted Average (dBm)											
				ANT 7			ANT 8			ANT 9			ANT 4		
				632000	633332	634666	632000	633332	634666	632000	633332	634666	632000	633332	634666
60.0	BPSK	1	0	25.33	25.30	25.31	22.55	22.58	22.65	25.10	25.35	25.22	20.88	19.76	20.06
		1	1	<b>28.70</b>	28.48	28.38	26.12	26.08	26.12	28.45	28.64	<b>28.70</b>	23.48	22.28	22.63
		1	160	28.53	28.28	28.53	26.11	26.15	26.12	28.38	28.35	28.32	<b>24.20</b>	22.20	22.84
		1	161	25.21	25.19	25.25	22.50	22.62	22.55	25.02	25.10	25.09	21.53	19.48	20.35
		81	40	28.51	28.41	28.43	26.03	26.12	<b>26.20</b>	28.52	28.57	28.48	22.34	23.47	23.17
		162	0	28.28	28.22	28.25	25.44	25.52	25.59	28.37	28.40	28.28	23.01	23.02	23.07
	QPSK	1	0	24.73	24.85	24.76	22.62	22.64	22.71	25.33	25.47	25.37	20.82	19.76	19.90
		1	1	28.14	28.17	<b>28.27</b>	<b>25.77</b>	25.67	25.76	28.64	<b>28.67</b>	<b>28.67</b>	23.35	22.17	22.58
		1	160	27.96	27.97	28.00	25.74	25.75	25.72	28.28	28.48	28.40	<b>23.86</b>	22.05	22.76
		1	161	24.82	24.73	24.78	22.13	22.17	22.18	25.21	25.22	25.05	21.33	19.37	20.23
		81	40	28.14	28.02	27.97	25.64	25.65	25.72	28.63	28.57	28.53	22.23	23.31	23.03
		162	0	27.30	27.24	27.27	24.51	24.56	24.60	27.84	27.77	27.79	22.89	22.85	22.89
	16QAM	1	0	24.47	24.75	24.44	22.14	22.42	22.56	25.21	25.43	25.35	20.85	19.70	19.92
		1	1	27.26	<b>27.51</b>	27.19	24.65	24.85	<b>24.99</b>	27.82	28.11	<b>28.22</b>	22.45	22.22	22.55
		1	160	27.24	27.27	27.04	24.66	24.92	24.93	27.77	27.44	27.88	22.15	21.94	22.64
		1	161	24.70	24.63	24.64	22.08	22.36	22.44	25.25	24.72	24.59	21.35	19.51	20.27
		81	40	27.33	27.36	27.18	24.56	24.67	24.68	27.83	27.80	27.79	22.17	22.12	<b>22.99</b>
		162	0	26.30	26.40	26.19	23.48	23.54	23.57	26.87	26.75	26.74	21.88	21.88	21.86
	64QAM	1	0	24.67	25.01	24.38	22.33	22.05	22.25	25.11	25.40	25.18	20.73	19.52	20.12
		1	1	25.44	25.95	<b>26.06</b>	<b>23.31</b>	22.95	23.20	26.38	26.41	26.20	21.72	20.67	20.90
		1	160	25.75	25.72	25.64	23.28	23.02	23.17	25.89	25.92	<b>26.43</b>	<b>22.27</b>	20.26	21.36
		1	161	24.45	24.56	24.41	22.30	21.99	22.13	25.38	24.92	25.33	21.11	19.17	20.29
		81	40	25.76	25.84	25.72	23.03	23.11	23.17	26.36	26.34	26.18	20.73	21.91	21.55
		162	0	25.79	25.91	25.79	22.91	23.00	23.08	26.36	26.29	26.24	21.35	21.44	21.48
	256QAM	1	0	23.41	23.57	23.39	21.42	21.43	<b>21.51</b>	24.33	<b>24.34</b>	24.26	19.76	18.85	19.11
		1	1	23.75	23.64	23.59	21.45	21.32	21.44	24.13	24.27	24.27	19.74	18.91	19.11
		1	160	23.36	23.61	23.79	21.44	21.36	21.40	23.92	23.89	23.85	20.32	18.43	19.19
		1	161	23.77	23.68	23.58	21.43	21.35	21.39	23.80	23.69	23.83	<b>20.43</b>	18.41	19.31
		81	40	23.72	<b>23.82</b>	23.78	21.08	21.12	21.20	24.30	24.23	24.07	18.63	19.79	19.46
		162	0	23.70	<b>23.82</b>	23.78	20.98	21.03	21.05	24.28	24.29	24.06	19.31	19.32	19.37

**OUTPUT POWER FOR 5G NR n77 (70.0 MHz)**

Bandwidth (MHz)	Modulation	RB Allocation	RB Offset	Conducted Average (dBm)											
				ANT 7			ANT 8			ANT 9			ANT 4		
				632333	633332	634333	632333	633332	634333	632333	633332	634333	632333	633332	634333
70.0	BPSK	1	0	25.17	25.16	25.06	22.57	22.67	22.60	25.12	25.25	25.33	21.76	21.02	20.07
		1	1	<b>28.70</b>	28.43	28.35	26.01	26.12	26.05	28.54	<b>28.70</b>	28.51	<b>24.20</b>	23.52	22.49
		1	187	28.37	28.19	28.22	26.05	<b>26.20</b>	26.09	28.27	28.21	28.18	23.86	22.50	23.36
		1	188	25.02	25.07	25.03	22.55	22.61	22.55	25.01	24.89	24.97	21.06	19.98	20.97
		90	45	28.43	28.39	28.31	26.05	26.01	26.08	28.36	28.44	28.40	23.11	24.05	24.11
		180	0	28.27	28.16	28.16	25.47	25.42	25.52	28.27	28.24	28.11	23.73	23.56	23.58
	QPSK	1	0	24.74	24.86	24.68	22.70	22.70	22.60	25.34	25.30	25.08	21.57	20.94	19.95
		1	1	<b>28.27</b>	28.14	27.98	25.70	25.71	25.61	28.58	<b>28.63</b>	28.54	<b>24.00</b>	23.39	22.49
		1	187	28.24	27.94	27.83	25.69	<b>25.77</b>	25.62	28.31	28.28	28.11	23.66	22.41	23.33
		1	188	24.74	24.71	24.62	22.20	22.21	22.11	25.10	24.93	25.01	21.11	19.93	20.72
		90	45	28.09	28.06	27.86	25.59	25.56	25.62	28.48	28.39	28.29	23.03	23.86	23.98
		180	0	27.32	27.31	27.17	24.48	24.47	24.53	27.76	27.71	27.63	23.70	23.52	23.41
	16QAM	1	0	24.70	24.85	24.86	22.37	22.40	21.84	25.30	25.15	25.15	21.45	20.78	19.91
		1	1	27.46	<b>27.65</b>	26.93	24.81	24.80	24.29	27.49	27.97	<b>28.18</b>	<b>24.03</b>	23.32	22.72
		1	187	27.36	27.40	27.12	24.83	<b>24.87</b>	24.38	27.72	27.33	27.92	23.62	22.45	23.16
		1	188	24.52	24.91	24.75	22.31	22.34	21.79	24.93	25.19	24.80	21.02	19.88	20.76
		90	45	27.24	27.31	27.25	24.59	24.54	24.66	27.76	27.74	27.51	23.01	23.91	23.97
		180	0	26.22	26.26	26.22	23.48	23.43	23.56	26.69	26.71	26.58	22.68	22.49	22.46
	64QAM	1	0	24.96	24.83	24.64	22.04	22.13	22.20	25.00	24.89	25.33	21.52	20.76	20.31
		1	1	25.76	<b>25.86</b>	25.25	22.93	23.00	23.11	26.05	<b>26.26</b>	25.97	<b>22.62</b>	21.58	21.03
		1	187	25.58	25.32	25.52	22.95	23.04	23.10	26.00	25.78	26.00	22.18	20.82	21.96
		1	188	24.59	24.77	24.16	21.89	22.01	22.14	24.88	24.96	24.67	21.11	19.55	21.15
		90	45	25.78	25.65	25.65	23.06	23.01	<b>23.13</b>	26.23	26.13	26.16	21.43	22.33	22.44
		180	0	25.74	25.68	25.70	22.95	22.91	23.04	26.25	26.18	26.12	22.12	22.04	21.96
	256QAM	1	0	23.22	23.60	23.34	21.30	<b>21.52</b>	21.32	24.00	24.18	24.08	<b>20.54</b>	19.78	19.03
		1	1	23.41	23.67	23.28	21.14	21.36	21.19	24.01	24.18	23.68	20.44	19.79	18.79
		1	187	23.31	23.36	23.24	21.16	21.37	21.23	24.05	23.71	23.60	19.96	18.85	19.81
		1	188	23.11	23.39	23.50	21.15	21.36	21.21	23.96	23.83	23.38	19.99	18.72	19.61
		90	45	23.67	23.61	23.61	21.02	21.00	21.04	<b>24.25</b>	24.02	24.04	19.49	20.41	20.46
		180	0	23.66	<b>23.69</b>	23.62	20.91	20.90	20.94	24.14	24.09	24.10	20.09	20.01	19.92

**OUTPUT POWER FOR 5G NR n77 (80.0 MHz)**

Bandwidth (MHz)	Modulation	RB Allocation	RB Offset	Conducted Average (dBm)											
				ANT 7			ANT 8			ANT 9			ANT 4		
				632666	633332	633998	632666	633332	633998	632666	633332	633998	632666	633332	633998
80.0	BPSK	1	0	25.90	25.89	25.89	22.58	22.52	22.64	25.02	25.19	25.27	21.54	21.39	20.28
		1	1	28.38	28.35	28.30	<b>26.20</b>	26.03	26.05	28.56	<b>28.70</b>	28.45	<b>24.20</b>	23.88	22.92
		1	215	<b>28.70</b>	28.63	28.60	26.10	26.07	25.98	28.27	28.13	28.26	22.54	22.45	23.25
		1	216	26.04	26.08	25.93	22.43	22.48	22.62	25.16	24.87	24.98	20.08	19.95	20.96
		108	54	28.45	28.50	28.44	25.98	26.03	26.00	<b>28.70</b>	28.47	28.43	23.49	23.87	23.94
		216	0	28.47	28.46	28.50	25.50	25.55	25.51	28.28	28.21	28.21	23.65	23.42	23.33
	QPSK	1	0	25.37	25.55	25.52	22.55	22.59	22.64	25.25	25.45	25.24	21.44	21.04	20.18
		1	1	27.96	27.95	27.95	25.57	25.66	25.69	28.59	<b>28.64</b>	28.57	<b>24.07</b>	23.66	22.73
		1	215	<b>28.11</b>	28.02	28.09	25.55	<b>25.71</b>	25.60	28.20	28.44	28.09	22.60	22.26	22.98
		1	216	25.61	25.53	25.70	21.87	22.15	22.16	25.17	25.00	24.87	20.02	19.84	20.64
		108	54	28.06	27.99	28.03	25.63	25.59	25.52	28.58	28.47	28.30	23.37	23.70	23.76
		216	0	28.07	27.99	27.99	24.52	24.60	24.56	27.86	27.81	27.59	23.45	23.28	23.22
	16QAM	1	0	25.63	25.33	25.54	21.98	22.13	22.42	24.98	25.50	25.27	21.21	21.00	20.42
		1	1	27.80	27.90	27.99	24.67	<b>24.74</b>	24.63	27.81	<b>28.24</b>	27.51	<b>23.99</b>	23.82	22.70
		1	215	<b>28.10</b>	28.07	<b>28.10</b>	24.44	24.47	24.15	27.50	27.47	27.40	22.40	22.28	23.23
		1	216	25.40	25.43	25.61	22.01	21.73	22.21	24.90	24.94	25.00	19.93	19.92	20.84
		108	54	28.08	27.97	28.08	24.51	24.56	24.46	27.86	27.80	27.63	23.34	23.79	23.88
		216	0	27.05	27.00	27.08	23.53	23.50	23.53	26.76	26.81	26.58	22.47	22.29	22.31
	64QAM	1	0	25.38	25.21	25.78	21.86	21.79	22.13	25.24	25.00	25.21	21.62	20.89	20.33
		1	1	26.39	26.52	26.59	22.67	<b>23.20</b>	23.12	25.99	26.07	25.88	<b>22.62</b>	22.11	21.35
		1	215	26.33	26.74	<b>26.82</b>	22.83	23.01	22.94	26.13	25.69	25.96	20.96	20.82	21.91
		1	216	25.60	25.21	25.48	21.98	21.83	21.90	24.69	24.71	24.83	20.02	19.87	21.01
		108	54	26.50	26.45	26.48	23.05	23.01	23.07	<b>26.26</b>	26.19	26.13	21.84	22.21	22.09
		216	0	26.58	26.44	26.55	23.02	23.06	22.99	26.15	26.17	26.15	21.98	21.82	21.59
	256QAM	1	0	24.23	24.23	24.27	21.23	21.21	<b>21.56</b>	23.62	<b>24.27</b>	24.13	<b>20.62</b>	20.31	19.15
		1	1	24.16	24.26	<b>24.54</b>	21.22	21.44	21.54	23.89	24.19	24.10	20.48	20.28	19.37
		1	215	24.22	24.27	24.50	21.23	21.01	<b>21.56</b>	23.86	23.76	23.83	19.09	19.28	19.78
		1	216	24.20	24.30	24.50	21.33	21.25	21.14	23.86	23.75	23.67	18.93	19.16	19.73
		108	54	24.52	24.46	24.46	20.99	21.02	20.98	24.18	24.06	24.12	19.84	20.19	20.38
		216	0	24.50	24.49	24.46	21.01	21.03	21.01	24.17	24.07	24.08	19.91	19.73	19.74

**OUTPUT POWER FOR 5G NR n77 (90.0 MHz)**

Bandwidth (MHz)	Modulation	RB Allocation	RB Offset	Conducted Average (dBm)											
				ANT 7			ANT 8			ANT 9			ANT 4		
				633000	633332	633666	633000	633332	633666	633000	633332	633666	633000	633332	633666
90.0	BPSK	1	0	25.30	25.23	25.26	22.56	22.55	22.62	25.11	25.25	25.26	21.43	21.28	21.34
		1	1	28.41	28.58	28.58	<b>26.20</b>	26.06	25.96	28.58	28.45	<b>28.70</b>	<b>24.20</b>	23.89	23.61
		1	243	28.48	28.50	28.33	26.18	26.03	26.01	28.40	28.49	28.44	22.72	22.76	23.43
		1	244	25.34	25.32	25.21	22.60	22.55	22.63	24.94	25.02	25.10	20.05	20.28	20.75
		120	60	<b>28.70</b>	28.55	28.56	26.06	26.05	26.02	28.56	28.53	28.61	23.58	23.69	23.71
		243	0	28.42	28.33	28.42	25.50	25.49	25.51	28.27	28.30	28.40	23.50	23.21	23.27
	QPSK	1	0	24.93	24.75	24.83	22.36	22.46	22.49	25.45	25.31	25.30	21.25	21.29	21.04
		1	1	28.17	28.19	<b>28.27</b>	25.54	25.53	25.57	28.61	28.60	28.55	23.72	<b>24.10</b>	23.41
		1	243	28.21	28.02	28.26	<b>25.67</b>	25.60	25.58	28.54	28.29	28.61	22.40	22.77	23.37
		1	244	24.98	25.02	24.97	22.18	22.21	22.07	25.30	25.18	25.27	19.72	20.29	20.61
		120	60	28.15	28.10	28.12	25.60	25.61	25.61	28.57	28.54	<b>28.66</b>	23.45	23.51	23.54
		243	0	27.43	27.45	27.39	24.57	24.58	24.58	27.83	27.79	27.97	23.27	23.22	23.14
	16QAM	1	0	24.62	24.53	24.77	21.71	21.85	22.12	25.26	24.97	25.66	21.63	21.36	21.00
		1	1	27.37	27.19	27.38	24.48	24.48	24.58	<b>28.00</b>	27.86	27.54	24.00	<b>24.07</b>	23.27
		1	243	27.17	<b>27.46</b>	27.38	24.56	24.54	<b>24.72</b>	27.74	27.23	27.72	22.17	22.66	23.35
		1	244	25.02	24.86	24.95	21.79	22.10	22.27	25.09	25.25	25.03	19.84	20.10	20.57
		120	60	27.44	27.43	27.43	24.51	24.49	24.50	27.82	27.86	27.97	23.44	23.57	23.57
		243	0	26.48	26.42	26.37	23.60	23.50	23.50	26.75	26.88	26.89	22.26	22.21	22.12
	64QAM	1	0	24.33	24.57	24.59	21.78	21.43	22.07	24.95	25.24	25.29	21.20	21.48	20.98
		1	1	25.77	<b>26.09</b>	25.66	22.75	22.79	22.81	26.15	26.32	26.33	<b>22.43</b>	<b>22.43</b>	21.71
		1	243	25.51	25.83	25.64	22.82	<b>23.35</b>	23.06	26.14	25.76	26.23	20.37	21.09	21.46
		1	244	24.88	24.82	24.79	22.13	22.27	21.61	25.06	25.59	25.11	19.79	20.36	20.57
		120	60	25.84	25.90	25.72	23.08	23.04	23.04	26.20	26.28	<b>26.34</b>	21.87	22.03	22.01
		243	0	25.82	25.92	25.81	23.10	23.07	23.11	26.22	26.30	26.33	21.78	21.75	21.53
	256QAM	1	0	23.58	23.70	23.32	21.61	21.25	<b>21.71</b>	24.22	24.13	24.18	20.01	20.13	20.25
		1	1	23.74	23.57	23.37	21.49	21.53	21.17	24.04	23.88	<b>24.27</b>	20.24	<b>20.34</b>	20.22
		1	243	23.72	23.81	23.23	21.40	21.57	21.31	23.67	24.05	23.88	18.85	19.10	19.84
		1	244	23.60	<b>23.93</b>	23.48	21.51	21.31	21.60	23.94	23.60	<b>24.05</b>	18.71	19.30	19.89
		120	60	23.88	<b>23.93</b>	23.74	21.05	21.05	21.07	24.24	24.20	<b>24.27</b>	19.79	20.00	19.98
		243	0	23.81	23.83	23.77	21.04	21.08	20.98	24.18	24.22	24.25	19.64	19.60	19.51



**OUTPUT POWER FOR 5G NR n77 (100.0 MHz)**

Bandwidth (MHz)	Modulation	RB Allocation	RB Offset	Conducted Average (dBm)											
				ANT 7			ANT 8			ANT 9			ANT 4		
				N/A	633332	N/A	N/A	633332	N/A	N/A	633332	N/A	N/A	633332	N/A
100.0	BPSK	1	0		25.85			22.51			25.27			21.42	
		1	1		28.55			26.02			28.70			24.20	
		1	271		28.70			26.20			28.26			23.46	
		1	272		26.12			22.50			25.18			21.07	
		135	67		28.61			26.20			28.54			23.72	
		270	0		28.55			25.54			28.34			23.54	
	QPSK	1	0		25.85			22.66			25.51			21.51	
		1	1		28.39			25.77			28.69			24.13	
		1	271		28.61			25.62			28.45			23.40	
		1	272		26.16			21.97			25.31			20.83	
		135	67		28.59			25.62			28.66			23.59	
		270	0		28.53			24.59			27.98			23.33	
	16QAM	1	0		25.86			21.79			25.30			21.57	
		1	1		28.39			24.54			27.96			24.07	
		1	271		28.56			25.14			27.49			23.46	
		1	272		26.31			22.28			25.13			21.08	
		135	67		28.57			24.56			27.88			23.64	
		270	0		27.59			23.54			26.85			22.39	
	64QAM	1	0		25.96			22.09			25.70			21.19	
		1	1		26.77			23.02			25.71			22.17	
		1	271		27.16			23.07			25.41			21.88	
		1	272		26.03			21.88			25.28			20.78	
		135	67		27.12			23.10			26.34			22.15	
		270	0		27.06			23.06			26.32			21.84	
	256QAM	1	0		25.06			21.48			23.92			20.45	
		1	1		24.93			21.32			24.02			20.42	
		1	271		25.50			21.50			23.91			19.93	
		1	272		25.47			21.30			23.88			19.99	
		135	67		25.05			21.07			24.23			20.07	
		270	0		24.97			20.99			24.24			19.83	

### 8.16. 5G NR n77 (Part 27 3700-3980MHz)

Test Engineer ID:	28498	Test Date:	5/12/2023
-------------------	-------	------------	-----------

#### OUTPUT POWER FOR 5G NR n77 (10.0 MHz)

Bandwidth (MHz)	Modulation	RB Allocation	RB Offset	Conducted Average (dBm)											
				ANT 7			ANT 8			ANT 9			ANT 4		
				647000	656000	665000	647000	656000	665000	647000	656000	665000	647000	656000	665000
10.0	BPSK	1	0	25.78	25.86	25.20	22.88	22.75	22.77	25.21	24.80	24.81	21.12	21.27	20.65
		1	1	28.41	28.48	27.69	26.13	25.92	25.94	<b>28.70</b>	28.09	28.03	23.72	23.80	23.17
		1	22	28.41	28.49	27.70	26.17	25.86	26.02	28.63	28.01	27.99	23.74	23.77	23.13
		1	23	25.98	25.88	25.12	22.91	22.63	22.71	25.27	24.67	24.79	21.19	21.26	20.58
		12	6	28.46	28.43	27.70	<b>26.20</b>	25.97	25.98	28.60	28.06	28.07	23.78	<b>24.20</b>	23.21
		24	0	<b>28.70</b>	28.51	27.74	25.99	25.64	25.80	28.38	27.88	27.82	23.70	<b>24.20</b>	23.20
	QPSK	1	0	25.56	25.60	24.86	22.92	22.71	22.76	25.28	24.79	24.80	21.02	21.14	20.50
		1	1	28.17	28.10	27.30	25.69	25.52	25.51	28.64	28.13	28.15	23.55	23.65	22.97
		1	22	28.04	<b>28.28</b>	27.34	25.69	25.47	25.58	<b>28.65</b>	28.09	28.06	23.57	23.60	22.99
		1	23	25.60	25.61	24.78	22.52	22.25	22.34	25.30	24.74	24.78	21.04	21.01	20.39
		12	6	28.11	28.17	27.33	<b>25.75</b>	25.50	25.52	28.59	28.05	28.05	23.60	<b>24.13</b>	23.08
		24	0	28.12	28.13	27.35	25.02	24.76	24.77	27.82	27.28	27.30	23.53	23.67	23.07
	16QAM	1	0	25.50	25.43	24.75	22.42	22.14	22.37	25.16	24.47	24.89	21.14	21.54	20.85
		1	1	28.06	28.03	27.33	<b>25.23</b>	24.79	24.58	27.79	27.47	27.27	23.54	24.06	23.35
		1	22	<b>28.27</b>	28.09	27.35	24.91	24.93	24.86	<b>27.85</b>	27.53	27.37	23.67	<b>24.07</b>	23.48
		1	23	25.44	25.61	24.73	22.69	22.61	22.42	25.00	24.92	24.58	20.93	21.54	20.75
		12	6	28.19	28.08	27.24	24.97	24.78	24.77	27.76	27.29	27.27	23.50	23.74	23.02
		24	0	27.10	27.17	26.29	24.04	23.77	23.77	26.82	26.36	26.33	22.41	22.61	22.01
	64QAM	1	0	25.50	25.72	24.78	22.49	22.12	22.29	25.31	24.83	24.78	20.76	21.08	20.28
		1	1	26.63	26.58	25.72	23.50	23.37	23.25	26.21	25.92	25.68	21.77	22.01	21.42
		1	22	26.58	<b>26.94</b>	25.70	23.57	23.40	<b>23.66</b>	26.06	25.86	25.83	21.72	21.96	21.37
		1	23	25.49	25.56	24.54	22.60	22.19	22.31	25.21	24.32	24.68	20.79	21.02	20.28
		12	6	26.68	26.45	25.67	23.59	23.39	23.45	<b>26.35</b>	25.76	25.75	22.10	<b>22.24</b>	21.57
		24	0	26.63	26.64	25.73	23.55	23.29	23.40	26.27	25.72	25.77	22.07	22.19	21.54
	256QAM	1	0	24.56	24.75	23.63	<b>21.51</b>	21.03	21.07	24.18	23.57	23.83	19.84	19.97	19.11
		1	1	24.53	<b>24.88</b>	23.64	21.42	20.78	21.06	23.92	23.57	23.62	19.71	19.97	18.93
		1	22	24.60	24.87	23.55	21.22	21.05	21.00	24.22	23.43	23.48	19.73	19.78	18.93
		1	23	24.63	24.68	23.53	20.98	21.03	21.04	24.06	23.40	23.50	19.78	20.05	18.98
		12	6	24.67	24.66	23.76	21.47	21.23	21.26	<b>24.30</b>	23.77	23.67	19.95	<b>20.19</b>	19.45
		24	0	24.61	24.73	23.79	21.44	21.18	21.23	<b>24.30</b>	23.73	23.67	19.93	20.15	19.41

#### OUTPUT POWER FOR 5G NR n77 (15.0 MHz)

Bandwidth (MHz)	Modulation	RB Allocation	RB Offset	Conducted Average (dBm)											
				ANT 7			ANT 8			ANT 9			ANT 4		
				647166	656000	664833	647166	656000	664833	647166	656000	664833	647166	656000	664833
15.0	BPSK	1	0	25.83	25.89	24.88	23.04	22.57	22.58	25.44	24.69	24.87	21.57	21.27	20.44
		1	1	<b>28.70</b>	28.40	27.45	<b>26.20</b>	25.73	25.89	<b>28.70</b>	27.95	28.01	<b>24.20</b>	23.82	23.11
		1	36	28.37	28.29	27.40	26.12	25.73	25.89	28.61	27.78	27.99	24.12	23.70	23.22
		1	37	25.96	25.80	24.85	22.73	22.54	22.54	25.01	24.56	24.60	21.67	21.16	20.68
		18	9	28.35	28.22	27.43	26.14	25.70	25.76	28.37	27.91	27.97	24.02	23.77	23.13
		36	0	28.35	28.30	27.44	25.93	25.54	25.58	28.21	27.67	27.72	24.04	23.78	23.22
	QPSK	1	0	25.52	25.46	24.57	23.00	22.49	22.62	25.14	24.81	24.78	21.48	21.14	20.52
		1	1	<b>28.47</b>	27.92	27.05	<b>25.77</b>	25.46	25.36	<b>28.45</b>	27.89	28.18	24.05	23.64	23.19
		1	36	28.01	27.83	27.04	25.73	25.32	25.45	28.35	27.82	28.12	<b>24.07</b>	23.62	23.12
		1	37	25.54	25.28	24.44	22.45	22.10	22.17	25.11	24.65	24.68	21.51	21.08	20.60
		18	9	27.91	27.90	26.97	25.74	25.32	25.27	28.39	27.88	27.97	23.94	23.59	22.98
		36	0	27.92	27.85	26.97	24.98	24.58	24.58	27.61	27.17	27.26	23.73	23.65	23.03
	16QAM	1	0	25.18	25.48	24.63	22.61	22.00	21.95	25.32	24.72	25.17	21.27	21.27	20.48
		1	1	27.71	<b>28.27</b>	27.09	<b>25.38</b>	24.40	24.73	27.46	26.74	27.40	23.74	<b>23.89</b>	23.27
		1	36	27.48	28.04	27.15	25.00	24.57	24.57	27.04	27.35	27.29	23.88	23.88	23.32
		1	37	25.16	25.59	24.59	22.64	21.83	21.86	25.13	24.66	24.64	21.27	21.16	20.61
		18	9	27.82	27.85	26.93	24.97	24.54	24.66	<b>27.61</b>	27.09	26.91	23.84	23.86	23.01
		36	0	26.84	26.85	25.96	24.00	23.59	23.63	26.62	26.13	25.91	22.74	22.67	22.02
	64QAM	1	0	25.44	25.33	24.33	22.40	22.10	22.22	25.24	24.54	24.45	21.01	21.05	20.10
		1	1	<b>26.47</b>	26.27	25.46	<b>23.67</b>	23.28	23.42	<b>26.16</b>	25.33	25.20	21.99	<b>22.38</b>	21.19
		1	36	26.35	26.42	25.29	23.51	22.77	23.27	25.78	25.09	25.08	22.02	21.84	21.11
		1	37	25.42	25.13	24.31	22.46	22.10	22.29	24.99	24.46	24.36	21.14	20.92	20.31
		18	9	26.46	26.36	25.48	23.49	23.08	23.16	26.09	25.65	25.39	22.23	22.10	21.37
		36	0	26.34	26.30	25.41	23.53	23.07	23.16	<b>26.16</b>	25.57	25.35	22.25	22.10	21.45
	256QAM	1	0	<b>24.70</b>	24.61	23.63	21.25	20.74	20.91	23.81	23.23	23.33	20.20	20.16	19.06
		1	1	24.60	24.53	23.70	21.48	20.89	20.81	23.61	23.39	23.30	20.01	20.13	19.10
		1	36	24.53	24.55	23.50	21.09	20.79	20.79	23.56	23.46	23.21	20.20	20.01	19.08
		1	37	24.58	24.48	23.55	21.49	20.61	20.87	23.72	23.03	23.11	20.05	19.88	19.08
		18	9	24.40	24.29	23.38	21.44	21.00	21.15	<b>24.03</b>	23.50	23.20	20.23	20.12	19.30
		36	0	24.33	24.28	23.34	<b>21.55</b>	21.16	21.11	24.00	23.46	23.18	<b>20.32</b>	20.00	19.47

**OUTPUT POWER FOR 5G NR n77 (20.0 MHz)**

Bandwidth (MHz)	Modulation	RB Allocation	RB Offset	Conducted Average (dBm)											
				ANT 7			ANT 8			ANT 9			ANT 4		
				647333	656000	664666	647333	656000	664666	647333	656000	664666	647333	656000	664666
20.0	BPSK	1	0	25.86	25.81	24.90	23.58	23.54	23.08	25.47	24.81	24.88	20.44	20.97	20.98
		1	1	28.70	28.43	27.48	26.04	26.20	25.69	28.70	28.23	28.26	23.03	23.43	23.52
		1	49	28.30	28.33	27.42	25.77	26.00	25.56	28.45	28.07	28.11	24.20	23.46	23.55
		1	50	25.76	25.74	24.91	23.31	23.42	23.04	25.16	24.80	24.70	21.26	20.95	20.94
		25	12	28.43	28.34	27.43	25.91	26.00	25.60	28.58	28.04	28.02	23.62	23.47	23.43
		50	0	28.40	28.31	27.50	25.94	26.04	25.65	28.35	27.89	27.90	23.50	23.47	23.45
	QPSK	1	0	25.46	25.48	24.69	23.55	23.58	23.16	25.34	24.82	24.95	20.32	20.97	20.78
		1	1	28.05	28.00	27.10	25.77	25.67	25.25	28.69	28.04	28.27	22.92	23.46	23.34
		1	49	28.45	27.85	27.08	25.56	25.53	25.18	28.57	28.09	28.05	24.15	23.48	23.37
		1	50	25.52	25.33	24.50	22.92	22.93	22.66	25.24	24.79	24.70	21.25	20.87	20.81
		25	12	27.96	27.94	27.04	25.47	25.58	25.23	28.51	28.07	28.13	23.42	23.36	23.30
		50	0	28.00	27.92	27.11	25.46	25.57	25.22	27.80	27.41	27.33	23.41	23.35	23.35
	16QAM	1	0	24.95	25.57	24.48	22.95	22.96	22.82	24.80	24.89	24.92	20.56	20.86	20.61
		1	1	27.73	28.27	27.16	25.32	25.55	25.50	27.62	27.54	27.30	23.06	23.61	23.49
		1	49	27.70	28.01	27.13	25.17	25.63	25.27	27.80	27.45	27.30	24.07	23.63	23.59
		1	50	24.90	25.44	24.37	22.84	22.93	22.69	25.17	24.91	24.97	21.56	21.01	20.90
		25	12	27.97	27.88	26.87	25.42	25.49	25.26	27.74	27.40	27.28	23.46	23.37	23.31
		50	0	26.94	27.00	25.98	24.58	24.55	24.26	26.79	26.37	26.32	22.42	22.41	22.36
	64QAM	1	0	25.49	25.54	24.45	23.12	22.73	22.86	25.27	25.13	24.98	20.28	20.71	20.72
		1	1	26.51	26.60	25.43	24.20	24.03	23.76	26.22	25.91	25.93	21.44	21.72	21.76
		1	49	26.48	26.35	25.33	23.98	23.86	23.63	25.82	25.47	25.60	22.31	21.55	21.68
		1	50	25.45	25.37	24.47	22.93	22.76	22.69	24.98	24.74	24.38	21.11	20.69	20.53
		25	12	26.38	26.39	25.38	23.97	23.94	23.55	26.20	25.84	25.74	22.04	21.92	21.88
		50	0	26.45	26.40	25.41	23.97	24.00	23.69	26.24	25.82	25.77	21.93	22.41	21.86
	256QAM	1	0	24.53	24.38	23.70	22.20	22.39	22.07	24.34	23.66	23.38	19.45	20.01	19.62
		1	1	24.62	24.31	23.78	22.25	22.58	21.85	24.13	23.37	23.56	19.52	20.11	19.68
		1	49	24.46	24.11	23.60	22.00	22.21	21.84	23.86	23.49	23.83	20.42	19.65	19.56
		1	50	24.67	24.22	23.80	21.92	22.14	21.78	23.93	23.48	23.36	20.29	19.83	19.59
		25	12	24.28	24.21	23.38	21.87	21.88	21.58	24.31	23.84	23.72	20.04	20.40	19.74
		50	0	24.46	24.36	23.46	21.99	22.00	21.65	24.23	23.72	23.67	19.99	20.33	19.82

**OUTPUT POWER FOR 5G NR n77 (30.0 MHz)**

Bandwidth (MHz)	Modulation	RB Allocation	RB Offset	Conducted Average (dBm)											
				ANT 7			ANT 8			ANT 9			ANT 4		
				647666	656000	664333	647666	656000	664333	647666	656000	664333	647666	656000	664333
30.0	BPSK	1	0	26.00	25.82	25.47	23.54	23.46	22.86	25.95	25.62	25.38	20.59	21.16	21.33
		1	1	28.70	28.46	28.12	26.20	25.92	25.21	28.46	28.11	27.93	23.05	23.63	23.97
		1	76	28.70	28.19	27.94	25.95	25.47	25.00	28.56	28.06	27.88	23.46	23.94	24.20
		1	77	26.08	25.62	25.44	23.32	22.98	22.34	26.11	25.39	25.29	20.88	21.35	21.45
		36	18	28.60	28.41	28.02	25.91	25.82	25.25	28.63	27.99	27.80	23.23	23.72	23.84
		75	0	28.57	28.40	28.04	25.99	25.76	25.21	28.70	28.03	27.89	23.33	23.72	23.87
	QPSK	1	0	25.56	25.32	25.17	23.50	23.47	22.76	26.11	25.68	25.49	20.43	21.04	21.34
		1	1	28.12	28.04	27.70	25.63	25.51	24.78	28.63	28.17	27.96	22.76	23.64	23.86
		1	76	28.16	27.79	27.68	25.44	25.10	24.57	28.64	28.01	27.88	23.15	23.74	24.10
		1	77	25.63	25.31	25.09	22.86	22.53	22.08	26.12	25.58	25.39	20.71	21.30	21.28
		36	18	28.27	28.03	27.53	25.61	25.45	24.78	28.57	28.02	27.84	22.95	23.60	23.72
		75	0	28.26	28.03	27.64	25.51	25.40	24.83	28.63	27.73	27.88	23.05	23.64	23.74
	16QAM	1	0	25.67	25.51	25.19	23.21	23.15	22.51	26.04	25.25	25.57	20.55	21.11	21.30
		1	1	28.20	27.86	27.61	25.59	25.77	25.13	28.54	27.67	28.01	22.98	23.74	23.83
		1	76	28.11	28.14	27.66	25.35	25.29	24.76	28.56	27.60	28.08	23.27	24.07	23.87
		1	77	25.75	25.29	25.05	22.81	22.48	22.18	26.14	25.37	25.48	20.79	21.45	21.17
		36	18	28.25	27.98	27.57	25.57	25.47	24.80	28.53	27.58	27.86	23.01	23.58	23.74
		75	0	27.26	26.94	26.59	24.51	24.40	23.73	27.57	26.74	26.94	22.00	22.63	22.74
	64QAM	1	0	25.94	25.53	25.08	22.99	23.19	22.26	26.20	25.73	25.42	20.39	20.80	20.86
		1	1	27.01	26.51	26.40	24.19	24.02	23.10	27.28	26.52	26.42	21.16	21.93	21.84
		1	76	26.89	26.48	26.17	24.09	23.64	22.84	27.15	26.41	26.49	21.55	22.08	22.05
		1	77	25.93	25.38	25.06	22.86	22.66	21.66	26.20	25.39	25.32	20.73	20.79	20.88
		36	18	26.70	26.42	26.13	23.96	23.87	23.18	27.02	26.23	26.25	21.64	21.96	22.17
		75	0	26.77	26.44	26.08	24.02	23.84	23.32	27.05	26.22	26.37	21.68	22.13	22.17
	256QAM	1	0	24.68	24.13	24.31	22.28	22.38	21.68	25.13	24.76	24.60	19.04	20.12	19.94
		1	1	24.75	24.48	24.31	22.29	22.02	21.40	25.18	24.92	24.78	19.07	19.79	19.85
		1	76	24.82	24.40	24.16	21.89	21.74	21.29	25.24	24.70	24.59	19.51	20.00	19.86
		1	77	24.75	24.50	24.16	21.92	21.62	21.42	25.17	24.57	24.64	19.56	19.92	20.20
		36	18	24.47	24.37	23.92	22.07	21.79	21.18	25.03	24.37	24.19	19.66	20.03	20.19
		75	0	24.44	24.35	23.98	22.02	21.73	21.19	24.92	24.38	24.26	19.60	20.03	20.10

**OUTPUT POWER FOR 5G NR n77 (40.0 MHz)**

Bandwidth (MHz)	Modulation	RB Allocation	RB Offset	Conducted Average (dBm)											
				ANT 7			ANT 8			ANT 9			ANT 4		
				648000	656000	664000	648000	656000	664000	648000	656000	664000	648000	656000	664000
40.0	BPSK	1	0	26.05	25.71	25.16	23.50	23.40	22.59	25.92	25.49	25.15	21.29	21.21	20.73
		1	1	<b>28.70</b>	28.16	27.73	<b>26.20</b>	25.81	25.10	28.55	27.99	27.66	23.81	23.71	23.22
		1	104	28.52	28.21	27.66	25.39	25.10	24.72	<b>28.70</b>	27.87	27.66	<b>24.20</b>	23.44	23.32
		1	105	25.91	25.65	25.15	22.99	22.73	22.12	25.96	25.30	25.12	21.31	20.84	20.78
		50	25	28.39	28.11	27.69	25.54	25.46	24.84	28.40	27.78	27.61	23.77	23.25	23.18
	100	0	28.48	28.20	27.72	25.56	25.52	24.89	28.39	27.83	27.62	23.81	23.39	23.22	
	QPSK	1	0	25.67	25.43	24.84	23.46	23.53	22.64	26.12	25.49	25.28	21.21	21.11	20.50
		1	1	<b>28.58</b>	27.88	27.30	<b>25.65</b>	25.47	24.81	<b>28.59</b>	28.10	27.85	23.81	23.58	23.13
		1	104	28.11	27.78	27.32	25.11	24.83	24.49	28.50	27.75	27.79	<b>24.07</b>	23.37	23.15
		1	105	25.65	25.28	24.67	22.53	22.39	21.77	26.10	25.28	25.10	21.26	20.85	20.55
		50	25	27.98	27.71	27.24	25.15	25.13	24.39	28.38	27.72	27.63	23.64	23.12	23.01
	100	0	28.04	27.72	27.25	25.17	25.11	24.52	28.34	27.40	27.54	23.66	23.21	22.85	
	16QAM	1	0	25.57	25.21	25.25	23.38	23.32	22.34	25.72	25.28	25.14	21.01	20.98	20.72
		1	1	28.26	27.74	27.48	25.01	25.03	24.66	<b>28.56</b>	27.35	27.57	23.93	23.59	23.04
		1	104	<b>28.27</b>	27.42	27.45	25.05	24.78	24.43	28.30	27.31	27.59	<b>23.95</b>	23.44	23.29
		1	105	25.83	25.25	24.81	22.80	22.32	21.96	25.92	24.99	25.36	21.43	20.84	20.89
		50	25	27.94	27.66	27.25	25.05	<b>25.09</b>	24.47	28.33	27.41	27.51	23.72	23.09	22.90
	100	0	27.05	26.63	26.29	24.16	24.15	23.49	27.36	26.43	26.61	22.76	22.28	21.84	
	64QAM	1	0	25.69	24.89	25.07	22.90	23.13	22.20	26.02	25.28	25.28	21.49	20.99	20.66
		1	1	26.51	26.28	25.91	23.85	<b>24.09</b>	22.91	<b>27.10</b>	25.99	25.91	22.38	22.05	21.27
		1	104	<b>26.56</b>	25.63	25.67	23.36	23.23	22.86	26.89	26.21	26.15	<b>22.47</b>	21.67	21.40
		1	105	25.73	24.93	24.62	22.55	22.36	21.80	25.68	25.05	25.12	21.28	20.47	20.43
		50	25	26.45	26.22	25.70	23.76	23.53	22.85	26.82	25.89	26.12	22.16	21.52	21.44
	100	0	26.48	26.06	25.76	23.77	23.60	22.92	26.77	25.93	26.12	22.21	21.66	21.37	
	256QAM	1	0	24.70	24.34	23.72	22.08	<b>22.57</b>	21.53	24.90	24.63	24.26	20.49	20.23	19.67
		1	1	24.64	24.57	23.69	21.82	22.33	21.26	24.78	24.41	24.46	20.30	20.18	19.66
		1	104	24.65	24.22	23.57	21.57	21.60	21.08	<b>25.01</b>	24.25	24.30	20.48	19.95	19.71
		1	105	<b>24.91</b>	24.33	23.57	21.71	21.71	21.03	25.00	24.35	24.22	<b>20.59</b>	19.90	19.41
		50	25	24.48	24.15	23.58	21.69	21.50	20.85	24.70	24.14	24.05	20.18	19.60	19.48
	100	0	24.40	24.06	23.66	21.74	21.51	20.89	24.77	24.16	24.04	20.12	19.61	19.42	

**OUTPUT POWER FOR 5G NR n77 (50.0 MHz)**

Bandwidth (MHz)	Modulation	RB Allocation	RB Offset	Conducted Average (dBm)											
				ANT 7			ANT 8			ANT 9			ANT 4		
				648333	656000	663666	648333	656000	663666	648333	656000	663666	648333	656000	663666
50.0	BPSK	1	0	26.01	25.55	25.55	23.49	23.64	22.75	25.75	25.62	25.22	21.69	21.64	20.84
		1	1	28.53	27.94	28.07	<b>26.20</b>	26.07	25.39	28.50	28.05	27.87	24.16	24.13	23.61
		1	131	<b>28.70</b>	28.12	28.05	25.36	25.26	24.72	<b>28.70</b>	28.06	27.78	24.04	23.68	23.54
		1	132	26.05	25.77	25.39	22.81	22.78	22.27	25.80	25.47	25.21	21.72	21.18	20.84
		64	32	28.62	28.05	27.90	25.72	25.54	24.97	28.39	28.05	27.69	<b>24.20</b>	23.76	23.38
	128	0	28.53	28.13	28.00	25.75	25.55	24.95	28.46	27.99	27.78	24.17	23.82	23.46	
	QPSK	1	0	25.56	25.57	24.96	23.59	23.48	22.73	25.89	25.72	25.30	21.56	21.51	20.96
		1	1	28.04	28.03	27.60	<b>26.10</b>	25.67	25.01	<b>28.66</b>	28.18	27.85	24.00	24.03	23.40
		1	131	28.11	27.84	27.55	25.02	24.78	24.43	28.53	28.21	27.87	<b>24.07</b>	23.69	23.24
		1	132	25.62	25.39	24.93	22.63	22.22	21.73	25.96	25.56	25.19	21.54	21.09	20.81
		64	32	28.14	27.71	27.51	25.34	25.14	24.59	28.45	28.09	27.82	24.06	23.67	23.34
	128	0	<b>28.56</b>	27.79	27.53	25.40	25.12	24.54	28.41	27.90	27.76	24.04	23.65	23.36	
	16QAM	1	0	25.36	26.03	25.02	22.85	23.38	22.32	25.99	25.64	25.48	21.32	21.11	20.81
		1	1	28.19	<b>28.24</b>	27.91	25.56	<b>25.77</b>	24.95	<b>28.56</b>	27.96	27.83	23.91	23.31	23.59
		1	131	27.50	28.12	27.73	24.91	25.35	24.69	<b>28.56</b>	27.81	27.85	23.97	23.24	23.43
		1	132	25.27	25.69	24.80	22.39	22.60	21.90	26.07	25.35	25.41	21.30	20.80	21.02
		64	32	28.09	27.66	27.53	25.34	25.26	24.53	28.49	27.76	27.76	<b>24.01</b>	23.63	23.23
	128	0	27.05	26.67	26.50	24.40	24.16	23.53	27.51	26.87	26.78	23.03	22.59	22.26	
	64QAM	1	0	25.55	25.32	24.88	22.92	22.83	22.22	25.91	25.93	25.69	21.53	21.11	20.66
		1	1	26.25	26.55	26.11	<b>24.19</b>	24.14	23.40	<b>27.08</b>	26.60	26.51	<b>22.63</b>	22.40	21.92
		1	131	26.51	26.00	25.49	23.44	23.08	22.78	26.95	26.73	26.22	22.23	22.08	21.48
		1	132	25.34	25.27	24.79	22.35	22.26	21.62	25.77	25.47	25.43	21.39	21.39	20.76
		64	32	<b>26.64</b>	26.14	25.95	23.86	23.68	23.05	26.97	26.42	26.28	22.56	22.12	21.73
	128	0	26.59	26.18	26.04	23.80	23.64	22.95	26.88	26.43	26.24	22.52	22.12	21.81	
	256QAM	1	0	24.60	24.44	23.72	22.13	22.36	21.60	25.12	25.33	24.51	20.51	20.55	19.73
		1	1	<b>24.76</b>	24.30	24.11	<b>22.55</b>	22.21	21.28	<b>25.40</b>	25.08	24.52	20.45	<b>20.88</b>	19.92
		1	131	24.48	23.89	24.01	21.65	21.48	20.49	25.25	24.97	24.52	20.68	20.45	19.75
		1	132	24.50	24.15	23.81	21.56	21.18	20.88	25.24	24.84	24.44	20.35	20.27	19.62
		64	32	24.54	24.07	23.91	21.80	21.57	20.95	24.89	24.55	24.12	20.47	20.14	19.78
	128	0	24.60	24.12	23.91	21.80	21.52	20.96	24.89	24.48	24.16	20.47	20.11	19.76	

**OUTPUT POWER FOR 5G NR n77 (60.0 MHz)**

Bandwidth (MHz)	Modulation	RB Allocation	RB Offset	Conducted Average (dBm)											
				ANT 7			ANT 8			ANT 9			ANT 4		
				648666	656000	663333	648666	656000	663333	648666	656000	663333	648666	656000	663333
60.0	BPSK	1	0	3730.0	3840.0	3950.0	3730.0	3840.0	3950.0	3730.0	3840.0	3950.0	3730.0	3840.0	3950.0
		1	1	25.99	25.75	25.12	23.40	23.62	22.83	25.91	25.87	25.16	21.44	21.38	20.63
		1	160	28.51	28.07	27.68	26.20	26.20	25.43	28.70	28.16	27.67	23.92	23.81	23.30
		1	161	28.70	27.85	27.57	25.20	25.18	24.64	28.57	27.85	27.74	23.87	23.37	22.99
		81	40	26.10	25.46	24.97	22.75	22.86	22.16	25.82	25.43	25.19	21.42	20.90	20.48
		162	0	28.64	28.01	27.72	25.68	25.57	25.08	28.57	28.00	27.63	23.95	23.64	23.18
	QPSK	1	0	25.72	25.54	24.85	23.63	23.53	22.97	26.06	25.90	25.18	21.09	21.46	20.65
		1	1	28.15	27.87	27.40	25.73	25.75	24.95	28.69	28.25	27.74	23.63	23.75	23.15
		1	160	28.09	27.64	27.24	24.83	24.88	24.38	28.68	28.06	27.55	23.75	23.21	22.97
		1	161	25.75	25.05	24.68	22.35	22.35	21.83	26.04	25.44	25.09	21.37	20.55	20.43
		81	40	28.22	27.67	27.26	25.24	25.20	24.69	28.54	27.98	27.62	24.08	23.50	23.05
		162	0	28.20	27.72	27.31	25.24	25.22	24.65	28.53	27.96	27.66	23.82	23.59	23.11
	16QAM	1	0	25.79	25.61	24.62	23.36	23.10	22.29	25.78	25.67	25.37	21.33	21.77	20.50
		1	1	28.20	27.84	27.36	25.43	25.73	24.98	28.56	28.29	28.14	23.67	24.07	23.19
		1	160	28.16	27.71	26.97	25.24	24.72	24.25	28.56	28.14	27.87	24.04	23.50	22.97
		1	161	25.74	24.80	24.51	22.45	22.44	21.87	26.21	25.31	25.38	21.28	21.13	20.34
		81	40	28.21	27.50	27.23	25.41	25.35	24.73	28.46	27.76	27.70	23.83	23.48	23.04
		162	0	27.23	26.57	26.33	24.39	24.22	23.69	27.54	26.94	26.70	22.85	22.50	22.04
	64QAM	1	0	25.33	25.18	24.47	22.99	23.41	22.50	26.07	25.56	25.12	20.92	21.21	20.49
		1	1	26.45	26.10	25.72	24.04	24.03	23.36	27.28	26.61	26.01	22.33	22.01	22.02
		1	160	26.35	25.99	25.70	23.31	23.40	22.83	27.04	26.25	26.01	22.13	21.81	21.40
		1	161	25.43	24.96	24.48	22.31	22.11	21.72	25.81	25.12	25.38	21.06	20.75	20.32
		81	40	26.62	25.97	25.74	23.91	23.65	23.12	27.04	26.30	26.12	22.30	21.95	21.53
		162	0	26.74	26.10	25.78	23.86	23.64	23.17	26.91	26.43	26.15	22.32	22.02	21.54
	256QAM	1	0	24.68	23.98	23.78	22.79	22.42	21.94	25.09	25.08	24.32	20.20	20.70	19.70
		1	1	24.77	24.16	24.04	22.48	22.91	22.11	24.94	25.12	24.31	20.24	20.55	19.64
		1	160	24.31	23.80	23.57	21.69	21.39	21.13	25.29	24.54	24.38	20.22	20.29	19.62
		1	161	24.63	23.66	23.91	21.47	21.43	21.01	25.06	24.87	24.21	20.58	20.02	19.48
81		40	24.61	23.90	23.70	21.83	21.58	21.18	24.85	24.36	24.10	20.21	19.97	19.44	
162		0	24.61	24.05	23.65	21.85	21.60	21.15	24.86	24.36	24.08	20.27	19.94	19.51	

**OUTPUT POWER FOR 5G NR n77 (70.0 MHz)**

Bandwidth (MHz)	Modulation	RB Allocation	RB Offset	Conducted Average (dBm)											
				ANT 7			ANT 8			ANT 9			ANT 4		
				649000	656000	663000	649000	656000	663000	649000	656000	663000	649000	656000	663000
70.0	BPSK	1	0	3735.0	3840.0	3945.0	3735.0	3840.0	3945.0	3735.0	3840.0	3945.0	3735.0	3840.0	3945.0
		1	1	25.95	25.52	25.29	23.03	23.34	22.50	26.06	25.88	25.52	21.34	21.31	20.92
		1	187	28.57	27.74	27.78	24.65	24.75	24.34	28.57	27.93	27.97	24.20	23.47	23.14
		1	188	26.09	25.22	25.21	22.15	21.94	21.91	26.03	25.58	25.35	21.58	20.90	20.57
		90	45	28.70	28.11	27.87	25.24	25.07	24.69	28.53	28.21	27.96	23.99	23.63	23.40
		180	0	28.57	28.09	27.87	25.27	25.14	24.77	28.70	28.23	27.95	24.00	23.67	23.43
	QPSK	1	0	25.67	25.32	25.03	22.77	23.42	22.71	26.05	25.70	25.32	21.44	21.45	20.81
		1	1	28.13	27.63	27.51	24.99	26.06	24.58	28.64	28.18	27.93	24.00	23.81	23.24
		1	187	28.12	27.57	27.30	24.30	24.20	23.69	28.62	28.06	27.96	24.07	23.47	23.19
		1	188	25.66	24.90	24.83	21.85	21.39	20.90	26.06	25.31	25.26	21.47	20.79	20.54
		90	45	28.12	27.65	27.41	24.99	24.56	23.98	28.63	28.20	27.93	24.04	23.48	23.29
		180	0	28.37	27.68	27.42	25.03	24.59	24.09	28.68	28.20	27.98	23.99	23.59	23.26
	16QAM	1	0	25.71	25.67	25.01	22.67	22.95	21.95	25.70	25.79	24.95	21.20	21.57	20.97
		1	1	28.20	28.21	27.34	25.77	25.41	24.57	28.34	28.19	27.68	23.81	23.48	23.51
		1	187	28.27	27.59	27.23	24.58	24.39	23.71	28.25	27.69	27.63	23.87	23.52	23.26
		1	188	25.62	25.08	24.66	22.53	21.66	20.75	26.17	25.24	25.21	21.65	20.81	20.25
		90	45	28.18	27.69	27.45	25.07	24.80	23.96	28.65	27.96	27.95	24.01	23.47	23.29
		180	0	27.20	26.66	26.40	24.08	23.83	22.96	27.68	27.15	26.91	23.00	22.63	22.20
	64QAM	1	0	25.73	24.97	24.49	22.95	22.60	21.84	25.41	25.61	25.18	21.34	21.41	20.22
		1	1	26.19	25.67	25.71	23.89	23.80	22.84	26.91	26.43	26.17	22.23	22.30	21.78
		1	187	26.23	25.60	25.71	23.30	22.93	22.00	26.65	26.29	26.24	22.67	21.77	21.60
		1	188	25.30	24.89	24.45	21.72	21.66	21.09	25.91	25.68	24.82	21.25	20.61	20.38
		90	45	26.59	26.17	25.85	23.35	23.26	22.43	27.12	26.52	26.34	22.43	21.97	21.69
		180	0	26.62	26.13	25.91	23.40	23.33	22.49	27.20	26.65	26.42	22.45	22.02	21.74
	256QAM	1	0	24.00	23.81	23.90	21.98	22.17	20.99	25.30	25.12	24.93	20.65	20.52	19.78
		1	1	24.47	24.07	23.97	21.74	21.86	21.34	25.08	24.89	24.70	20.55	20.67	19.86
		1	187	24.06	23.60	24.08	21.22	21.04	20.21	24.97	24.47	24.34	20.46	20.00	19.69
		1	188	24.11	23.71	23.82	21.26	20.92	20.37	25.36	24.50	24.66	20.80	19.96	19.60
90		45	24.61	24.10	23.85	21.38	21.34	20.43	25.08	24.59	24.34	20.34	19.96	19.79	
180		0	24.55	24.10	23.81	21.39	21.33	20.43	25.01	24.64	24.31	20.42	19.93	19.72	

**OUTPUT POWER FOR 5G NR n77 (80.0 MHz)**

Bandwidth (MHz)	Modulation	RB Allocation	RB Offset	Conducted Average (dBm)											
				ANT 7			ANT 8			ANT 9			ANT 4		
				649333	656000	662666	649333	656000	662666	649333	656000	662666	649333	656000	662666
80.0	BPSK	1	0	25.79	25.54	24.94	23.52	23.30	23.00	25.19	25.05	24.37	21.56	21.45	21.01
		1	1	<b>28.70</b>	27.87	27.71	<b>26.20</b>	25.80	25.66	<b>28.70</b>	28.26	27.89	23.95	23.79	23.54
		1	215	28.36	27.87	27.72	26.00	25.56	25.48	27.94	27.41	27.33	24.13	23.37	23.26
		1	216	25.91	25.41	25.22	23.52	23.03	23.05	24.73	24.27	24.22	21.57	20.74	20.71
		108	54	28.69	28.07	27.96	26.13	25.90	25.73	28.50	27.71	27.68	<b>24.20</b>	23.64	23.40
		216	0	28.60	27.99	27.83	26.13	25.88	25.65	28.18	27.54	27.37	24.08	23.72	23.37
	QPSK	1	0	25.58	24.96	24.72	23.48	23.47	22.87	25.49	24.91	24.72	21.33	21.35	20.86
		1	1	<b>28.20</b>	27.36	27.25	<b>25.75</b>	25.36	25.09	<b>28.60</b>	28.38	27.79	23.85	23.84	23.44
		1	215	28.19	27.49	27.41	25.52	25.21	25.16	28.04	27.53	27.53	23.87	23.16	23.17
		1	216	25.46	24.68	24.71	23.11	22.52	22.56	24.61	24.28	24.23	21.27	20.75	20.62
		108	54	28.18	27.63	27.43	25.72	25.49	25.34	28.32	27.72	27.64	23.93	23.49	23.23
		216	0	28.19	27.59	27.37	25.71	25.43	25.28	27.64	27.03	26.93	<b>23.95</b>	23.61	23.23
	16QAM	1	0	25.42	24.97	24.75	23.09	23.02	22.99	25.14	24.69	24.78	21.48	21.35	21.10
		1	1	28.10	27.63	27.35	25.54	25.29	25.37	<b>27.57</b>	27.20	27.25	23.08	23.08	23.19
		1	215	27.70	27.70	27.29	25.06	25.06	25.25	26.98	26.59	26.77	23.06	23.00	23.04
		1	216	25.36	24.77	24.80	22.63	22.36	22.72	24.51	24.36	24.42	21.86	20.57	20.96
		108	54	<b>28.18</b>	27.63	27.43	<b>25.69</b>	25.41	25.31	27.37	26.97	26.86	23.11	23.08	<b>23.24</b>
		216	0	27.17	26.51	26.37	24.72	24.42	24.21	26.55	25.99	25.87	22.97	22.56	22.20
	64QAM	1	0	25.49	24.90	24.50	23.23	22.48	22.18	25.27	24.63	24.60	21.54	21.12	20.40
		1	1	26.45	25.98	25.77	24.09	23.61	23.74	<b>26.25</b>	26.03	25.65	<b>22.60</b>	22.20	21.75
		1	215	26.49	25.87	25.92	<b>24.45</b>	23.53	23.71	25.61	25.05	24.85	22.57	21.41	21.42
		1	216	25.55	25.05	25.14	23.05	22.37	22.23	24.38	24.12	23.61	21.48	20.52	20.39
		108	54	<b>26.64</b>	26.11	25.92	24.21	23.94	23.75	26.03	25.46	25.31	22.47	21.99	21.71
		216	0	<b>26.64</b>	26.06	25.86	24.08	23.91	23.73	26.07	25.51	25.30	22.45	22.03	21.71
	256QAM	1	0	23.77	23.72	23.27	21.55	21.53	21.50	23.66	23.45	23.47	20.63	20.29	19.53
		1	1	23.89	23.59	23.42	21.31	21.35	21.61	24.00	23.73	23.31	20.46	20.28	19.69
		1	215	23.79	23.52	23.36	21.61	21.74	20.91	23.17	22.78	22.86	<b>20.83</b>	19.87	19.54
		1	216	23.77	23.59	23.24	21.83	21.77	20.90	23.33	22.94	22.87	20.36	20.01	19.60
		108	54	<b>24.57</b>	24.04	23.89	<b>22.11</b>	21.89	21.73	<b>24.05</b>	23.40	23.16	20.41	20.02	19.74
		216	0	24.53	23.94	23.77	22.05	21.87	21.72	23.99	23.50	23.25	20.37	20.00	19.67

**OUTPUT POWER FOR 5G NR n77 (90.0 MHz)**

Bandwidth (MHz)	Modulation	RB Allocation	RB Offset	Conducted Average (dBm)											
				ANT 7			ANT 8			ANT 9			ANT 4		
				649666	656000	662333	649666	656000	662333	649666	656000	662333	649666	656000	662333
90.0	BPSK	1	0	26.15	25.52	25.22	23.67	23.71	23.12	25.12	25.15	24.36	21.29	21.31	20.11
		1	1	28.67	27.98	27.60	26.04	<b>26.20</b>	25.79	28.27	<b>28.70</b>	27.68	23.71	23.73	22.85
		1	243	28.59	27.98	27.91	25.92	25.94	25.74	27.66	27.42	27.48	<b>24.20</b>	23.04	22.85
		1	244	25.91	25.38	25.37	23.58	23.25	23.06	24.22	24.23	24.10	21.50	20.46	20.43
		120	60	<b>28.70</b>	28.11	27.98	26.14	25.96	25.80	28.02	27.72	27.55	23.79	23.32	23.07
		243	0	28.66	28.05	27.85	26.08	25.96	25.71	27.79	27.51	27.42	23.71	23.36	23.03
	QPSK	1	0	25.71	25.22	24.99	23.44	23.76	23.18	25.18	24.98	24.42	21.10	21.19	20.55
		1	1	<b>28.26</b>	27.90	27.37	25.56	25.54	25.33	28.38	<b>28.52</b>	27.95	23.40	23.39	22.99
		1	243	28.13	27.44	27.29	25.45	25.34	25.25	27.57	27.32	27.60	23.63	22.76	22.73
		1	244	25.56	25.04	24.75	23.16	22.76	22.89	24.53	24.06	24.28	21.36	20.42	20.38
		120	60	28.24	27.72	27.58	<b>25.77</b>	25.58	25.29	28.12	27.66	27.63	<b>24.16</b>	23.25	22.93
		243	0	28.25	27.71	27.48	25.66	25.53	25.33	27.49	26.94	26.82	23.63	23.25	22.93
	16QAM	1	0	25.93	24.55	25.30	23.20	23.17	23.16	25.11	24.97	24.56	21.23	21.24	20.81
		1	1	28.08	27.54	27.72	25.49	<b>25.75</b>	25.35	27.44	<b>27.89</b>	27.05	23.47	23.60	23.17
		1	243	28.13	27.08	27.54	25.23	25.30	25.50	27.31	26.84	26.99	<b>24.07</b>	22.75	23.11
		1	244	25.53	24.75	25.26	22.79	23.35	22.79	24.94	24.17	24.12	21.01	20.33	20.95
		120	60	<b>28.26</b>	27.74	27.53	25.66	25.49	25.31	27.34	26.90	26.85	23.76	23.21	22.98
		243	0	27.15	26.65	26.43	24.69	24.50	24.23	26.58	25.98	25.80	22.60	22.24	21.93
	64QAM	1	0	25.77	24.87	24.45	23.28	22.88	22.67	25.39	25.12	24.18	21.09	21.13	20.39
		1	1	<b>26.83</b>	25.65	25.40	24.15	23.60	23.66	<b>26.13</b>	25.98	25.63	21.93	21.87	21.47
		1	243	26.57	25.47	25.68	23.91	23.67	24.10	25.74	24.96	25.36	<b>22.21</b>	21.35	21.56
		1	244	25.48	24.93	24.72	23.15	22.61	22.48	24.54	24.17	24.13	21.48	20.36	20.61
		120	60	26.79	26.15	26.02	<b>24.30</b>	23.98	23.82	25.99	25.37	25.34	22.11	21.65	21.41
		243	0	26.72	26.11	25.94	24.23	24.00	23.83	26.12	25.46	25.33	22.06	21.71	21.36
	256QAM	1	0	24.59	23.23	22.92	<b>22.41</b>	21.92	21.27	23.66	23.65	23.57	20.36	20.31	19.70
		1	1	24.61	23.65	23.56	22.16	21.45	21.51	24.03	23.79	23.32	20.34	20.18	19.36
		1	243	24.17	24.11	23.55	22.03	21.51	21.38	23.63	22.04	23.12	20.25	19.33	19.52
		1	244	24.40	23.92	23.55	21.84	21.28	21.71	23.24	23.22	23.24	<b>20.62</b>	19.55	19.35
		120	60	24.68	24.15	23.94	22.34	21.93	21.89	<b>24.14</b>	23.42	23.33	20.12	19.56	19.33
		243	0	<b>24.69</b>	24.10	23.87	22.21	21.95	21.76	24.11	23.42	23.29	20.02	19.54	19.33

**OUTPUT POWER FOR 5G NR n77 (100.0 MHz)**

Bandwidth (MHz)	Modulation	RB Allocation	RB Offset	Conducted Average (dBm)											
				ANT 7			ANT 8			ANT 9			ANT 4		
				650000	656000	662000	650000	656000	662000	650000	656000	662000	650000	656000	662000
100.0	BPSK	1	0	25.87	25.39	25.15	23.57	23.84	23.35	25.01	25.09	24.67	21.46	21.30	20.83
		1	1	28.29	27.88	27.77	26.20	26.10	25.86	28.43	28.70	27.69	23.86	23.87	23.26
		1	271	28.13	27.86	27.92	25.80	25.75	25.78	27.80	27.73	27.59	24.01	23.24	23.40
		1	272	25.71	25.42	25.18	23.53	23.25	22.97	24.55	24.22	24.19	21.64	20.71	20.78
		135	67	28.70	28.05	27.84	26.19	25.90	25.64	28.29	27.94	27.61	24.20	23.55	23.38
		270	0	28.46	27.99	27.79	26.12	25.83	25.61	27.96	27.73	27.47	23.99	23.62	23.34
	QPSK	1	0	25.44	25.01	24.61	23.74	23.89	23.58	25.19	25.31	24.43	21.36	21.34	20.81
		1	1	28.27	27.58	27.52	25.70	25.74	25.27	28.40	28.58	27.82	23.74	23.47	23.30
		1	271	28.05	27.61	27.40	25.06	25.28	24.91	27.68	27.53	27.58	24.07	23.35	23.10
		1	272	25.54	24.98	24.86	22.83	22.45	22.51	24.47	24.34	24.49	21.31	20.41	20.54
		135	67	28.19	27.61	27.41	25.72	25.48	25.20	28.10	27.88	27.76	23.93	23.42	23.23
		270	0	28.11	27.60	27.41	25.64	25.49	25.21	27.45	27.14	26.89	23.86	23.55	23.25
	16QAM	1	0	25.57	24.57	24.55	23.24	23.62	22.86	24.96	24.90	24.18	21.01	21.35	20.74
		1	1	27.96	27.61	27.17	24.90	24.88	25.01	27.52	27.97	27.23	24.05	23.79	23.02
		1	271	27.87	27.66	26.67	25.11	25.09	25.12	26.79	26.90	26.94	23.82	23.26	22.76
		1	272	24.75	24.54	24.49	22.94	22.78	22.70	24.51	24.09	24.10	21.07	20.79	20.31
		135	67	28.21	27.65	27.45	25.01	24.98	25.11	27.35	27.05	26.81	23.91	23.51	23.26
		270	0	27.06	26.57	26.40	24.63	24.42	24.18	26.50	26.18	25.77	22.89	22.45	22.22
	64QAM	1	0	25.22	24.86	25.24	22.78	22.84	22.45	25.28	25.78	24.86	21.18	20.88	20.48
		1	1	26.36	25.93	25.60	23.94	24.18	23.18	26.63	25.80	25.42	22.32	22.22	21.23
		1	271	26.29	26.19	25.70	23.49	23.93	23.41	26.13	25.07	25.15	22.44	21.29	21.18
		1	272	24.83	24.71	24.64	23.19	22.56	22.42	24.40	24.20	24.17	21.11	20.78	20.24
		135	67	26.61	26.06	25.89	24.27	23.89	23.71	26.08	25.56	25.36	22.36	21.92	21.74
		270	0	26.52	25.99	25.82	24.27	23.87	23.65	26.20	25.65	25.34	22.37	21.97	21.61
	256QAM	1	0	24.52	23.26	23.38	21.36	22.19	21.45	24.67	23.79	23.39	20.26	20.52	19.86
		1	1	24.48	23.68	23.24	21.68	22.16	21.26	23.99	24.32	23.36	20.39	20.29	19.73
		1	271	24.25	23.65	23.60	21.50	21.57	21.25	23.50	22.65	22.86	20.48	19.88	19.35
		1	272	24.28	23.66	23.41	21.95	22.04	21.32	23.64	23.55	22.62	20.07	19.90	19.79
		135	67	24.54	24.09	23.80	22.26	21.86	21.67	24.24	23.50	23.25	20.30	19.86	19.71
		270	0	24.48	24.04	23.81	22.29	21.80	21.65	24.22	23.61	23.24	20.29	19.92	19.53

## 9. CONDUCTED TEST RESULTS

### 9.1. OCCUPIED BANDWIDTH

#### RULE PART(S)

FCC: §2.1049

#### LIMITS

For reporting purposes only.

#### TEST PROCEDURE

The transmitter output was connected to a calibrated coaxial cable and coupler, the other end of which was connected to a spectrum analyzer. The occupied bandwidth was measured with the spectrum analyzer at the middle channel in each band. The 99% and -26dB bandwidths was also measured and recorded.

#### RESULTS

There is no limit required and power is the same for low, middle and high channel; therefore, only middle channel was tested except 5G NR n70 where mix of middle/high channels are used. Worst-case plots (highest bandwidth) are reported only.



**LTE BAND 7**

Band	Mode	RB Allocation/RB Offset	f(MHz)	99% BW (MHz)	-26dB BW (MHz)
LTE BAND 7	5MHz, QPSK	25/0	2535.0	4.504	5.14
	5MHz, 16QAM			4.503	5.11
	10MHz, QPSK	50/0		8.993	10.02
	10MHz, 16QAM			8.988	9.98
	15MHz, QPSK	75/0		13.490	14.92
	15MHz, 16QAM			13.475	14.94
	20MHz, QPSK	100/0		17.942	19.69
	20MHz, 16QAM			17.975	19.61
	20MHz, QPSK	1/0		0.262	0.39

**5G NR n7**

Band	Mode	RB Allocation/RB Offset	f(MHz)	99% BW (MHz)	-26dB BW (MHz)
5G NR n7	5MHz, BPSK	25/0	2535.0	4.483	4.99
	5MHz, QPSK			4.510	5.08
	5MHz, 16QAM			4.487	5.11
	10MHz, BPSK	50/0		8.959	9.79
	10MHz, QPSK			8.961	9.76
	10MHz, 16QAM			8.926	9.73
	15MHz, BPSK	75/0		13.383	14.31
	15MHz, QPSK			13.430	14.37
	15MHz, 16QAM			13.471	14.53
	20MHz, BPSK	100/0		17.915	19.10
	20MHz, QPSK			17.932	19.14
	20MHz, 16QAM			17.863	19.09
	25MHz, BPSK	128/0		22.927	24.08
	25MHz, QPSK			22.921	24.24
	25MHz, 16QAM			22.836	24.27
	30MHz, BPSK	160/0		28.598	30.08
	30MHz, QPSK			28.563	30.03
	30MHz, 16QAM			28.731	30.18
	35MHz, BPSK	180/0		32.217	33.65
	35MHz, QPSK			32.199	33.63
	35MHz, 16QAM			32.122	33.79
	40MHz, BPSK	216/0		38.617	40.37
	40MHz, QPSK			38.642	40.39
	40MHz, 16QAM			38.699	40.40
40MHz, BPSK	1/0		0.302	0.50	

**LTE BAND 12**

Band	Mode	RB Allocation/RB Offset	f(MHz)	99% BW (MHz)	-26dB BW (MHz)
LTE BAND 12	1.4MHz, QPSK	6/0	707.5	1.097	1.36
	1.4MHz, 16QAM			1.095	1.35
	3MHz, QPSK	15/0		2.699	3.05
	3MHz, 16QAM			2.700	3.07
	5MHz, QPSK	25/0		4.503	5.13
	5MHz, 16QAM			4.494	5.12
	10MHz, QPSK	50/0		8.966	9.86
	10MHz, 16QAM			8.968	9.94
10MHz, QPSK	1/0	0.253	0.39		

**5G NR n12**

Band	Mode	RB Allocation/RB Offset	f(MHz)	99% BW (MHz)	-26dB BW (MHz)
5G NR n12	5MHz, BPSK	25/0	707.5	4.470	5.01
	5MHz, QPSK			4.487	5.15
	5MHz, 16QAM			4.481	5.02
	10MHz, BPSK	50/0		8.932	9.64
	10MHz, QPSK			8.924	9.72
	10MHz, 16QAM			8.957	10.49
	15MHz, BPSK	75/0		13.450	14.56
	15MHz, QPSK			13.496	17.14
	15MHz, 16QAM			13.376	18.64
15MHz, BPSK	1/0	0.244	0.44		

**LTE BAND 13**

Band	Mode	RB Allocation/RB Offset	f(MHz)	99% BW (MHz)	-26dB BW (MHz)
LTE BAND 13	5MHz, QPSK	25/0	782.0	4.503	5.14
	5MHz, 16QAM			4.496	5.09
	10MHz, QPSK	50/0		8.970	9.94
	10MHz, 16QAM			8.983	9.94
	10MHz, QPSK	1/0		0.230	0.37

**LTE BAND 14**

Band	Mode	RB Allocation/RB Offset	f(MHz)	99% BW (MHz)	-26dB BW (MHz)
LTE BAND 14	5MHz, QPSK	25/0	793.0	4.503	5.08
	5MHz, 16QAM			4.503	5.07
	10MHz, QPSK	50/0		8.957	9.94
	10MHz, 16QAM			8.974	10.03
	10MHz, QPSK	1/0		0.241	0.42

**5G NR n14**

Band	Mode	RB Allocation/RB Offset	f(MHz)	99% BW (MHz)	-26dB BW (MHz)
5G NR n14	5MHz, BPSK	25/0	793.0	4.485	4.98
	5MHz, QPSK			4.477	5.10
	5MHz, 16QAM			4.488	5.09
	10MHz, BPSK	50/0		8.970	9.66
	10MHz, QPSK			8.930	9.84
	10MHz, 16QAM			8.933	9.66
	10MHz, BPSK	1/0		0.221	0.34

**LTE BAND 17**

Band	Mode	RB Allocation/RB Offset	f(MHz)	99% BW (MHz)	-26dB BW (MHz)
LTE BAND 17	5MHz, QPSK	25/0	710.0	4.503	5.07
	5MHz, 16QAM			4.500	5.07
	10MHz, QPSK	50/0		8.991	9.94
	10MHz, 16QAM			8.973	10.01
	10MHz, QPSK	1/0		0.231	0.35

**LTE BAND 25**

Band	Mode	RB Allocation/RB Offset	f(MHz)	99% BW (MHz)	-26dB BW (MHz)
LTE BAND 25	1.4MHz, QPSK	6/0	1882.5	1.093	1.35
	1.4MHz, 16QAM			1.097	1.36
	3MHz, QPSK	15/0		2.702	3.06
	3MHz, 16QAM			2.701	3.05
	5MHz, QPSK	25/0		4.510	5.11
	5MHz, 16QAM			4.509	5.18
	10MHz, QPSK	50/0		8.980	9.97
	10MHz, 16QAM			8.999	10.01
	15MHz, QPSK	75/0		13.459	14.83
	15MHz, 16QAM			13.452	14.80
	20MHz, QPSK	100/0		17.938	19.71
	20MHz, 16QAM			17.942	19.63
	20MHz, QPSK	1/0		0.285	0.50

**5G NR n25**

Band	Mode	RB Allocation/RB Offset	f(MHz)	99% BW (MHz)	-26dB BW (MHz)
5G NR n25	5MHz, BPSK	25/0	1882.5	4.493	5.10
	5MHz, QPSK			4.491	5.12
	5MHz, 16QAM			4.490	5.10
	10MHz, BPSK	50/0		8.989	9.77
	10MHz, QPSK			8.982	9.76
	10MHz, 16QAM			8.973	9.78
	15MHz, BPSK	75/0		13.438	14.45
	15MHz, QPSK			13.457	14.49
	15MHz, 16QAM			13.401	14.37
	20MHz, BPSK	100/0		17.912	18.90
	20MHz, QPSK			17.879	19.00
	20MHz, 16QAM			17.920	19.09
	25MHz, BPSK	128/0		22.954	24.22
	25MHz, QPSK			22.896	24.21
	25MHz, 16QAM			22.882	24.24
	30MHz, BPSK	160/0		28.577	30.05
	30MHz, QPSK			28.670	30.04
	30MHz, 16QAM			28.594	30.09
	35MHz, BPSK	180/0		32.173	33.82
	35MHz, QPSK			32.187	33.78
35MHz, 16QAM	32.058		33.71		
40MHz, BPSK	216/0	38.657	40.28		
40MHz, QPSK		38.690	40.47		
40MHz, 16QAM		38.571	40.31		
40MHz, BPSK	1/0	0.293	0.52		

**LTE BAND 26 (PART 90S)**

Band	Mode	RB Allocation/RB Offset	f(MHz)	99% BW (MHz)	-26dB BW (MHz)
LTE BAND 26	1.4MHz, QPSK	6/0	819.0	1.095	1.34
	1.4MHz, 16QAM			1.093	1.34
	3MHz, QPSK	15/0		2.702	3.03
	3MHz, 16QAM			2.706	3.04
	5MHz, QPSK	25/0		4.503	5.12
	5MHz, 16QAM			4.504	5.18
	10MHz, QPSK	50/0		8.974	9.91
	10MHz, 16QAM			8.988	10.04
	10MHz, QPSK	1/0		0.258	0.39

**5G NR n26 (PART 90S)**

Band	Mode	RB Allocation/RB Offset	f(MHz)	99% BW (MHz)	-26dB BW (MHz)
5G NR n26 (FCC Part 90S)	5MHz, BPSK	25/0	819.0	4.489	5.13
	5MHz, QPSK			4.485	5.12
	5MHz, 16QAM			4.489	5.16
	10MHz, BPSK	50/0		8.962	9.60
	10MHz, QPSK			8.923	9.75
	10MHz, 16QAM			8.921	9.63
	10MHz, BPSK			0.261	0.43

**LTE BAND 26 (PART 22)**

Band	Mode	RB Allocation/RB Offset	f(MHz)	99% BW (MHz)	-26dB BW (MHz)
LTE BAND 26	1.4MHz, QPSK	6/0	836.5	1.092	1.34
	1.4MHz, 16QAM			1.090	1.34
	3MHz, QPSK	15/0		2.703	3.06
	3MHz, 16QAM			2.707	3.04
	5MHz, QPSK	25/0		4.509	5.11
	5MHz, 16QAM			4.511	5.10
	10MHz, QPSK	50/0		8.966	9.97
	10MHz, 16QAM			8.981	9.99

**5G NR n26 (PART 22)**

Band	Mode	RB Allocation/RB Offset	f(MHz)	99% BW (MHz)	-26dB BW (MHz)
5G NR n26 (FCC Part 22)	5MHz, BPSK	25/0	836.5	4.508	5.06
	5MHz, QPSK			4.501	5.05
	5MHz, 16QAM			4.494	5.08
	10MHz, BPSK	50/0		8.939	9.79
	10MHz, QPSK			8.935	9.74
	10MHz, 16QAM			8.960	9.56
	15MHz, BPSK	75/0		13.419	14.29
	15MHz, QPSK			13.435	14.25
	15MHz, 16QAM			13.443	14.37
	20MHz, BPSK	100/0		17.864	18.95
	20MHz, QPSK			17.802	18.95
	20MHz, 16QAM			17.880	19.01
	20MHz, BPSK	1/0		0.241	0.41

**LTE BAND 30**

Band	Mode	RB Allocation/RB Offset	f(MHz)	99% BW (MHz)	-26dB BW (MHz)
LTE BAND 30	5MHz, QPSK	25/0	2310.0	4.510	5.07
	5MHz, 16QAM			4.509	5.10
	10MHz, QPSK	50/0		8.993	10.02
	10MHz, 16QAM			8.992	10.05
	10MHz, QPSK	1/0		0.246	0.36

**5G NR n30**

Band	Mode	RB Allocation/RB Offset	f(MHz)	99% BW (MHz)	-26dB BW (MHz)
5G NR n30	5MHz, BPSK	25/0	2310.0	4.482	5.00
	5MHz, QPSK			4.501	5.12
	5MHz, 16QAM			4.471	4.93
	10MHz, BPSK	50/0		8.958	9.70
	10MHz, QPSK			8.974	9.75
	10MHz, 16QAM			8.957	9.75
	10MHz, BPSK	1/0		0.237	0.41

**LTE BAND 41**

Band	Mode	RB Allocation/RB Offset	f(MHz)	99% BW (MHz)	-26dB BW (MHz)
LTE BAND 41	5MHz, QPSK	25/0	2593.0	4.490	5.07
	5MHz, 16QAM			4.478	5.02
	10MHz, QPSK	50/0		8.987	9.84
	10MHz, 16QAM			8.965	9.93
	15MHz, QPSK	75/0		13.476	14.70
	15MHz, 16QAM			13.469	14.80
	20MHz, QPSK	100/0		17.921	19.74
	20MHz, 16QAM			17.912	19.43
	20MHz, QPSK	1/0		0.248	0.34

**5G NR n41**

Band	Mode	RB Allocation/RB Offset	f(MHz)	99% BW (MHz)	-26dB BW (MHz)
5G NR n41 (FCC)	10MHz, BPSK	24/0	2593.0	8.675	9.82
	10MHz, QPSK			8.670	10.07
	10MHz, 16QAM			8.648	9.97
	15MHz, BPSK	36/0		12.909	14.42
	15MHz, QPSK			12.971	14.65
	15MHz, 16QAM			12.990	14.62
	20MHz, BPSK	50/0		17.910	19.51
	20MHz, QPSK			17.981	19.61
	20MHz, 16QAM			17.893	19.42
	30MHz, BPSK	75/0		26.871	28.93
	30MHz, QPSK			26.894	28.83
	30MHz, 16QAM			26.959	28.80
	40MHz, BPSK	100/0		35.840	38.37
	40MHz, QPSK			35.780	38.28
	40MHz, 16QAM			35.707	38.01
	50MHz, BPSK	128/0		45.753	48.28
	50MHz, QPSK			45.875	48.71
	50MHz, 16QAM			45.897	48.36
	60MHz, BPSK	162/0		57.861	60.95
	60MHz, QPSK			58.079	60.90
	60MHz, 16QAM			58.026	61.08
	70MHz, BPSK	180/0		64.520	67.72
	70MHz, QPSK			64.455	67.53
	70MHz, 16QAM			64.396	67.50
	80MHz, BPSK	216/0		77.034	80.51
	80MHz, QPSK			77.141	81.04
	80MHz, 16QAM			77.398	80.70
	90MHz, BPSK	243/0		86.995	90.62
	90MHz, QPSK			86.875	90.70
	90MHz, 16QAM			87.042	90.75
100MHz, BPSK	270/0	96.390	100.70		
100MHz, QPSK		96.701	100.80		
100MHz, 16QAM		96.528	100.80		
100MHz, BPSK	1/0	0.597	1.02		



**LTE BAND 48**

Band	Mode	RB Allocation/RB Offset	f(MHz)	99% BW (MHz)	-26dB BW (MHz)
LTE BAND 48	5MHz, QPSK	25/0	3625.0	4.491	4.97
	5MHz, 16QAM			4.496	4.97
	10MHz, QPSK	50/0		8.995	9.50
	10MHz, 16QAM			8.954	9.44
	15MHz, QPSK	75/0		13.372	14.08
	15MHz, 16QAM			13.488	14.00
	20MHz, QPSK	100/0		17.870	19.19
	20MHz, 16QAM			17.896	18.86
	20MHz, QPSK	1/0		0.293	0.45

**5G NR n48**

Band	Mode	RB Allocation/RB Offset	f(MHz)	99% BW (MHz)	-26dB BW (MHz)
5G NR n48 (FCC)	10MHz, BPSK	24/0	3625.0	8.654	9.62
	10MHz, QPSK			8.649	9.48
	10MHz, 16QAM			8.548	9.43
	15MHz, BPSK	36/0		12.898	13.92
	15MHz, QPSK			12.916	14.18
	15MHz, 16QAM			12.898	13.69
	20MHz, BPSK	50/0		17.851	19.14
	20MHz, QPSK			17.834	19.49
	20MHz, 16QAM			17.928	19.00
	30MHz, BPSK	75/0		26.764	28.21
	30MHz, QPSK			26.847	28.21
	30MHz, 16QAM			26.863	28.71
	40MHz, BPSK	100/0		35.622	37.99
	40MHz, QPSK			35.493	37.77
	40MHz, 16QAM			35.599	37.48
	40MHz, BPSK	1/0		0.479	0.86

**LTE BAND 66**

Band	Mode	RB Allocation/RB Offset	f(MHz)	99% BW (MHz)	-26dB BW (MHz)
LTE BAND 66	1.4MHz, QPSK	6/0	1745.0	1.092	1.36
	1.4MHz, 16QAM			1.093	1.34
	3MHz, QPSK	15/0		2.706	3.05
	3MHz, 16QAM			2.709	3.07
	5MHz, QPSK	25/0		4.507	5.10
	5MHz, 16QAM			4.492	5.09
	10MHz, QPSK	50/0		8.978	9.98
	10MHz, 16QAM			8.982	9.89
	15MHz, QPSK	75/0		13.437	14.87
	15MHz, 16QAM			13.469	14.94
	20MHz, QPSK	100/0		17.933	19.62
	20MHz, 16QAM			17.831	18.61
	20MHz, QPSK	1/0		0.253	0.42

**5G NR n66**

Band	Mode	RB Allocation/RB Offset	f(MHz)	99% BW (MHz)	-26dB BW (MHz)
5G NR n66	5MHz, BPSK	25/0	1745.0	4.510	5.18
	5MHz, QPSK			4.489	5.04
	5MHz, 16QAM			4.502	5.07
	10MHz, BPSK	50/0		8.953	9.78
	10MHz, QPSK			8.981	9.82
	10MHz, 16QAM			8.979	9.80
	15MHz, BPSK	75/0		13.437	14.41
	15MHz, QPSK			13.408	14.41
	15MHz, 16QAM			13.481	14.44
	20MHz, BPSK	100/0		17.888	18.98
	20MHz, QPSK			17.855	19.01
	20MHz, 16QAM			17.874	19.13
	25MHz, BPSK	128/0		22.847	24.09
	25MHz, QPSK			22.948	24.25
	25MHz, 16QAM			22.892	24.21
	30MHz, BPSK	160/0		28.629	30.03
	30MHz, QPSK			28.610	30.13
	30MHz, 16QAM			28.629	30.15
	35MHz, BPSK	180/0		32.188	33.70
	35MHz, QPSK			32.153	33.84
	35MHz, 16QAM			32.067	33.86
	40MHz, BPSK	216/0		38.632	40.45
	40MHz, QPSK			38.642	40.43
	40MHz, 16QAM			38.530	40.40
40MHz, BPSK	1/0	0.296	0.49		

**5G NR n70**

Band	Mode	RB Allocation/RB Offset	f(MHz)	99% BW (MHz)	-26dB BW (MHz)
5G NR n70	5MHz, BPSK	25/0	1702.5	4.484	5.04
	5MHz, QPSK			4.486	5.03
	5MHz, 16QAM			4.472	4.92
	10MHz, BPSK	50/0		8.945	9.73
	10MHz, QPSK			8.962	9.71
	10MHz, 16QAM			8.954	9.69
	15MHz, BPSK	75/0		13.420	14.41
	15MHz, QPSK			13.446	14.45
	15MHz, 16QAM			13.436	14.30
	15MHz, BPSK	1/0		0.236	0.39

**LTE BAND 71**

Band	Mode	RB Allocation/RB Offset	f(MHz)	99% BW (MHz)	-26dB BW (MHz)
LTE BAND 71	5MHz, QPSK	25/0	680.5	4.494	5.06
	5MHz, 16QAM			4.502	5.14
	10MHz, QPSK	50/0		8.967	9.92
	10MHz, 16QAM			8.961	9.98
	15MHz, QPSK	75/0		13.449	14.72
	15MHz, 16QAM			13.450	14.76
	20MHz, QPSK	100/0		17.882	19.61
	20MHz, 16QAM			17.912	19.52
	20MHz, QPSK	1/0		0.252	0.38

**5G NR n71**

Band	Mode	RB Allocation/RB Offset	f(MHz)	99% BW (MHz)	-26dB BW (MHz)
5G NR n71	5MHz, BPSK	25/0	680.5	4.501	5.09
	5MHz, QPSK			4.488	4.95
	5MHz, 16QAM			4.493	5.11
	10MHz, BPSK	50/0		8.950	9.76
	10MHz, QPSK			8.944	9.69
	10MHz, 16QAM			8.954	9.75
	15MHz, BPSK	75/0		13.369	14.34
	15MHz, QPSK			13.398	14.41
	15MHz, 16QAM			13.397	14.18
	20MHz, BPSK	100/0		17.914	19.04
	20MHz, QPSK			17.863	18.96
	20MHz, 16QAM			17.817	18.99
	20MHz, BPSK	1/0		0.254	0.39

**5G NR n77 (Part 27 3450-3550MHz)**

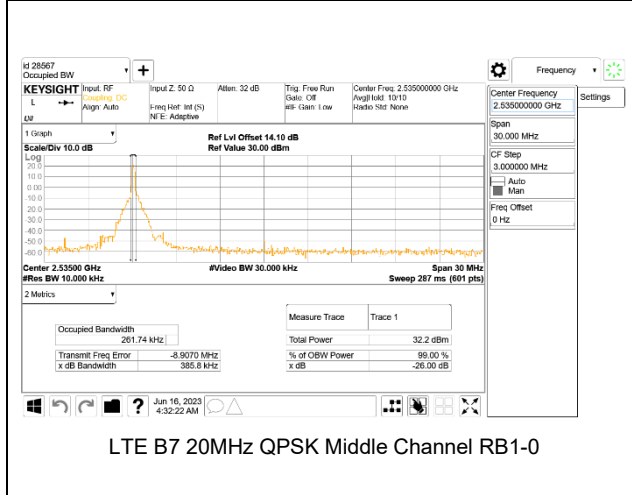
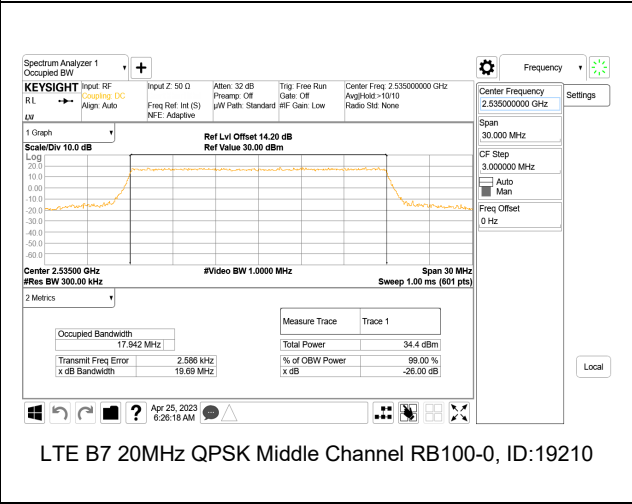
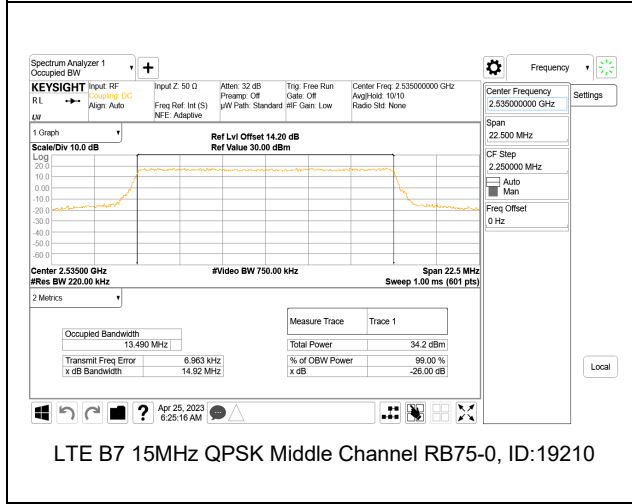
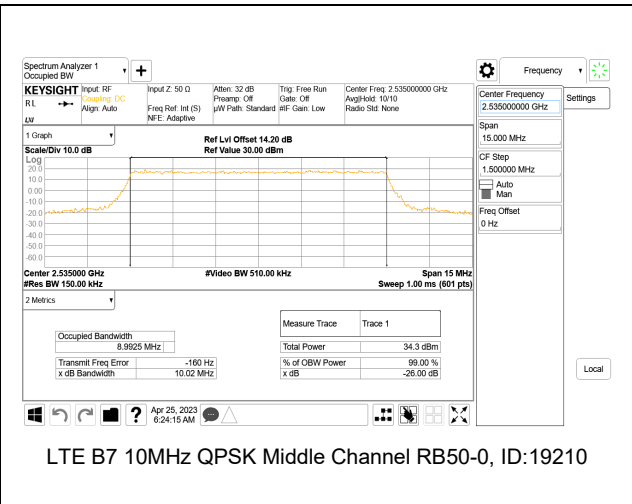
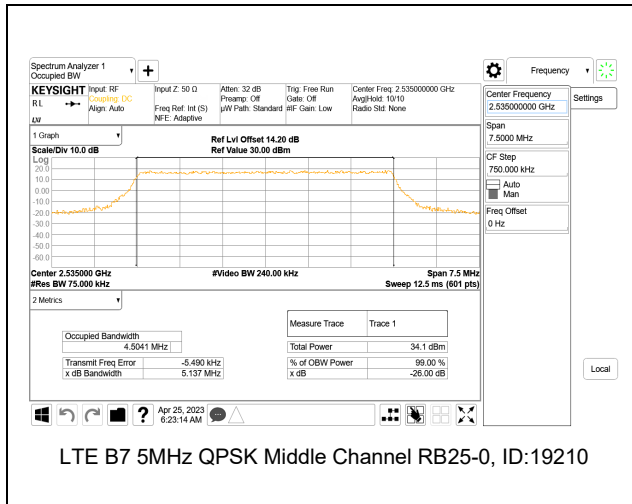
Band	Mode	RB Allocation/RB Offset	f(MHz)	99% BW (MHz)	-26dB BW (MHz)
5G NR n77 (FCC Part 27 3450- 3550MHz)	10MHz, BPSK	24/0	3500.0	8.603	9.87
	10MHz, QPSK			8.570	9.67
	10MHz, 16QAM			8.587	9.65
	15MHz, BPSK	36/0		12.922	14.15
	15MHz, QPSK			12.910	14.38
	15MHz, 16QAM			12.960	14.35
	20MHz, BPSK	50/0		17.877	19.53
	20MHz, QPSK			17.895	19.55
	20MHz, 16QAM			17.908	19.46
	30MHz, BPSK	75/0		26.935	29.03
	30MHz, QPSK			26.886	28.96
	30MHz, 16QAM			26.807	28.61
	40MHz, BPSK	100/0		36.008	37.97
	40MHz, QPSK			35.759	38.18
	40MHz, 16QAM			35.682	38.08
	50MHz, BPSK	128/0		45.777	48.40
	50MHz, QPSK			45.784	48.42
	50MHz, 16QAM			45.765	48.44
	60MHz, BPSK	162/0		57.971	60.96
	60MHz, QPSK			57.806	60.71
	60MHz, 16QAM			57.896	60.85
	70MHz, BPSK	180/0		64.363	67.41
	70MHz, QPSK			64.360	67.70
	70MHz, 16QAM			64.377	67.60
	80MHz, BPSK	216/0		77.134	80.70
	80MHz, QPSK			77.091	80.71
	80MHz, 16QAM			77.221	80.78
	90MHz, BPSK	243/0		87.006	90.71
90MHz, QPSK	86.684		90.70		
90MHz, 16QAM	86.844		90.61		
100MHz, BPSK	270/0	96.403	100.70		
100MHz, QPSK		96.595	100.80		
100MHz, 16QAM		96.619	100.70		
100MHz, BPSK	1/0	0.606	1.10		

**5G NR n77(Part 27 3700-3980MHz)**

Band	Mode	RB Allocation/RB Offset	f(MHz)	99% BW (MHz)	-26dB BW (MHz)
5G NR n77(FCC Part 27 3700- 3980MHz)	10MHz, BPSK	24/0	3840.0	8.603	9.76
	10MHz, QPSK			8.620	9.71
	10MHz, 16QAM			8.603	9.51
	15MHz, BPSK	36/0		12.867	13.88
	15MHz, QPSK			12.924	14.18
	15MHz, 16QAM			12.840	14.04
	20MHz, BPSK	50/0		17.948	19.31
	20MHz, QPSK			17.926	19.36
	20MHz, 16QAM			17.920	19.31
	30MHz, BPSK	75/0		26.812	28.59
	30MHz, QPSK			26.813	28.66
	30MHz, 16QAM			26.861	28.45
	40MHz, BPSK	100/0		35.734	37.90
	40MHz, QPSK			35.748	37.83
	40MHz, 16QAM			35.664	37.85
	50MHz, BPSK	128/0		45.759	48.34
	50MHz, QPSK			45.720	47.99
	50MHz, 16QAM			45.686	48.11
	60MHz, BPSK	162/0		58.041	60.48
	60MHz, QPSK			57.897	60.63
	60MHz, 16QAM			57.841	60.38
	70MHz, BPSK	180/0		64.379	67.09
	70MHz, QPSK			64.396	67.27
	70MHz, 16QAM			64.465	67.43
	80MHz, BPSK	216/0		77.333	80.33
	80MHz, QPSK			77.233	80.27
	80MHz, 16QAM			77.216	80.46
	90MHz, BPSK	243/0		86.622	90.34
90MHz, QPSK	86.927		90.48		
90MHz, 16QAM	86.981		90.48		
100MHz, BPSK	270/0	96.437	100.40		
100MHz, QPSK		96.346	100.40		
100MHz, 16QAM		96.431	100.50		
100MHz, BPSK	1/0	0.595	0.85		

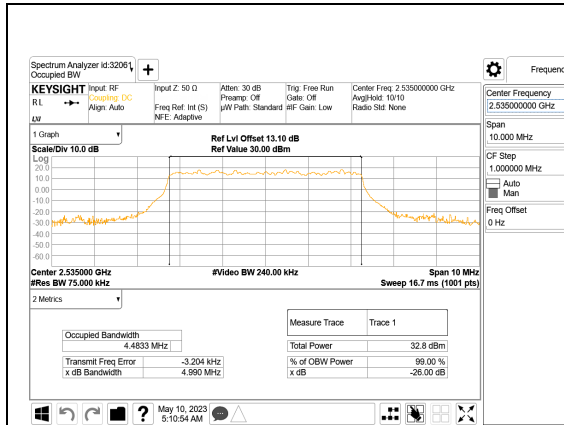
### 9.1.1. LTE BAND 7 AND 5G NR n7

#### LTE BAND 7

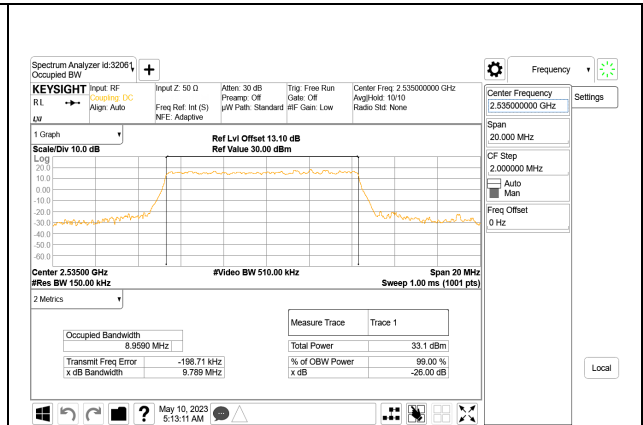


Intentionally Blank

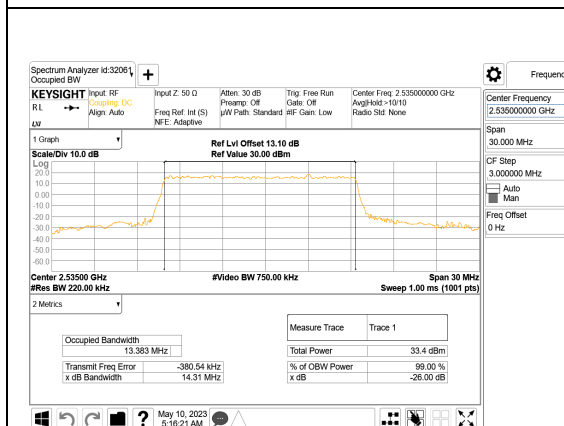
5G NR n7



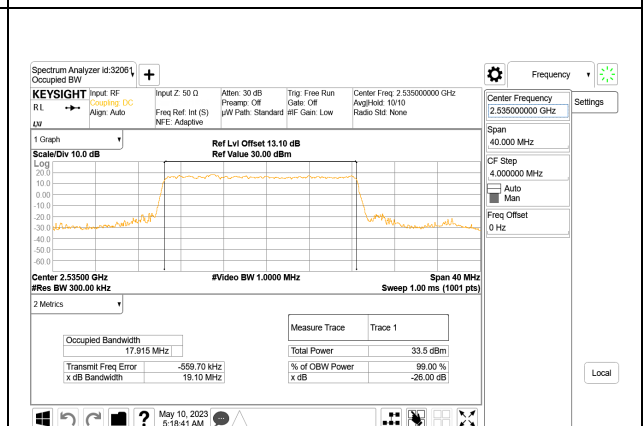
5G NR n7 5MHz BPSK Middle Channel RB25-0



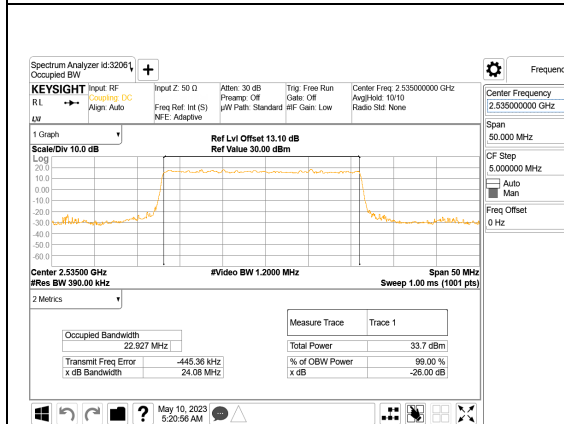
5G NR n7 10MHz BPSK Middle Channel RB50-0



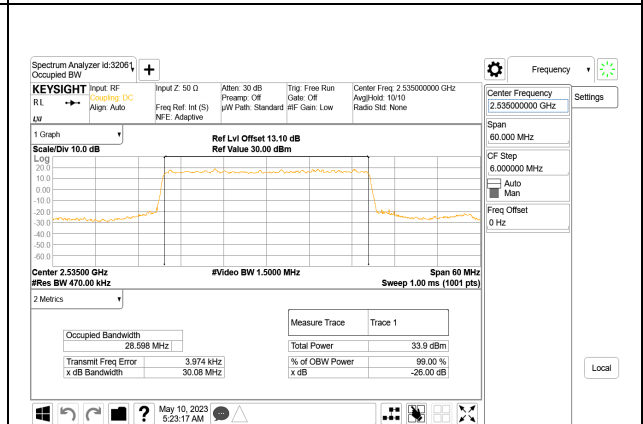
5G NR n7 15MHz BPSK Middle Channel RB75-0



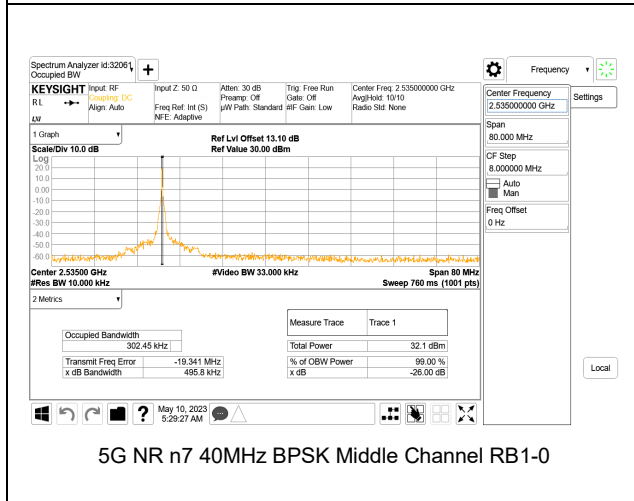
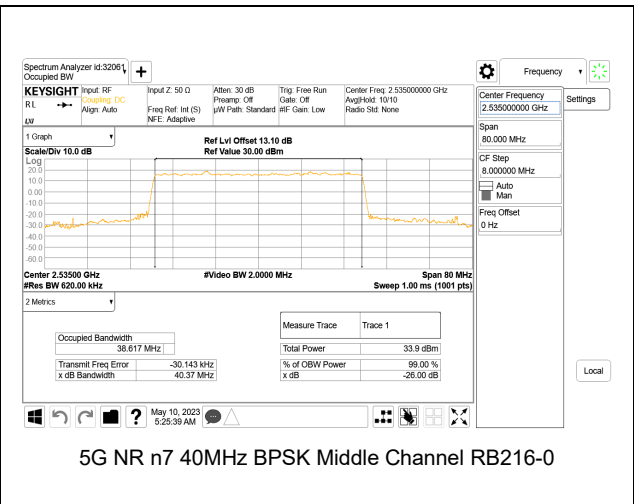
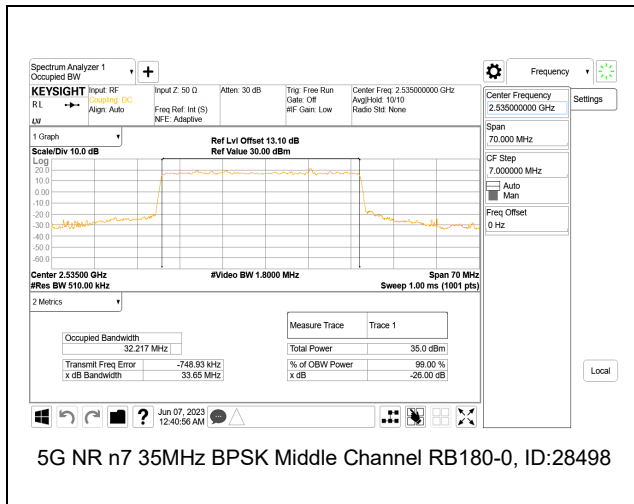
5G NR n7 20MHz BPSK Middle Channel RB100-0



5G NR n7 25MHz BPSK Middle Channel RB128-0



5G NR n7 30MHz BPSK Middle Channel RB160-0

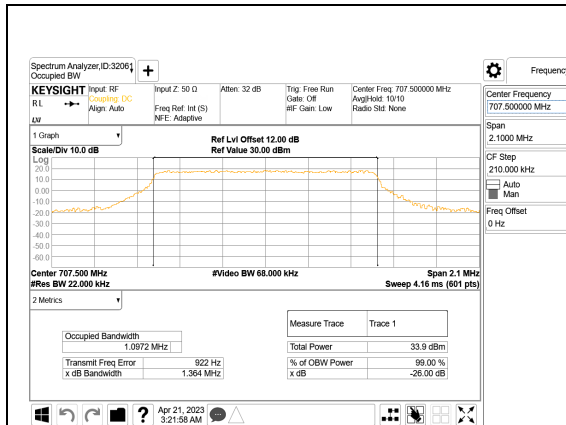


Intentionally Blank

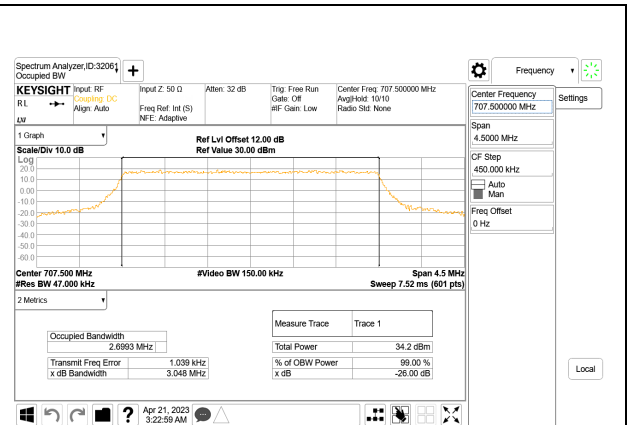


### 9.1.2. LTE BAND 12 AND 5G NR n12

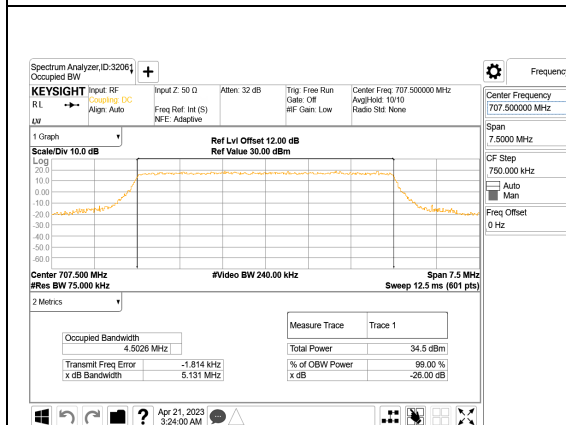
#### LTE BAND 12



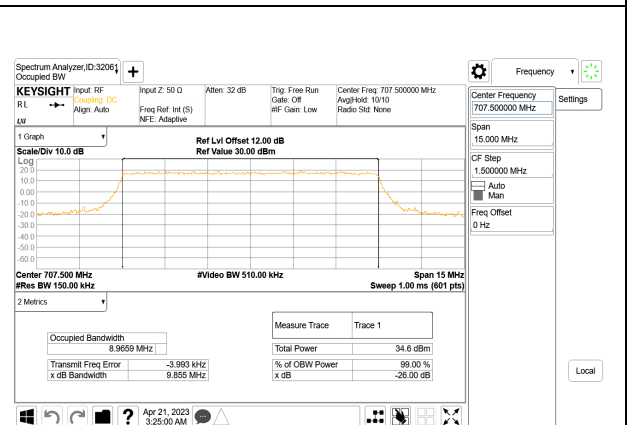
LTE B12 1.4MHz QPSK Middle Channel RB6-0



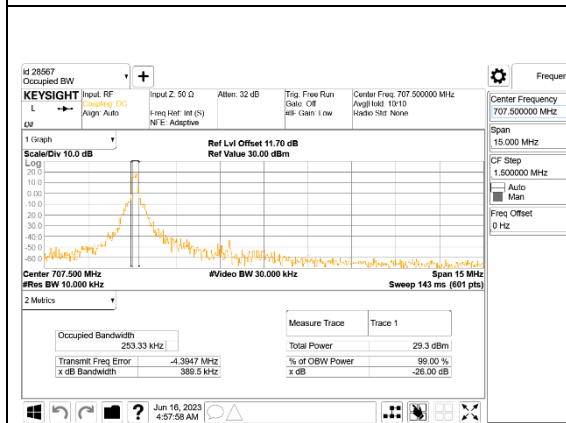
LTE B12 3MHz QPSK Middle Channel RB15-0



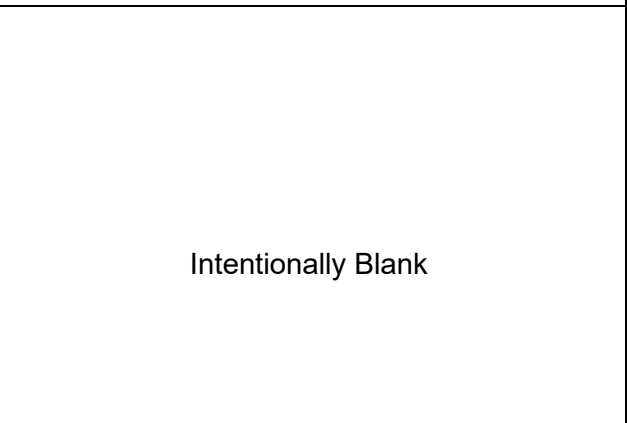
LTE B12 5MHz QPSK Middle Channel RB25-0



LTE B12 10MHz QPSK Middle Channel RB50-0

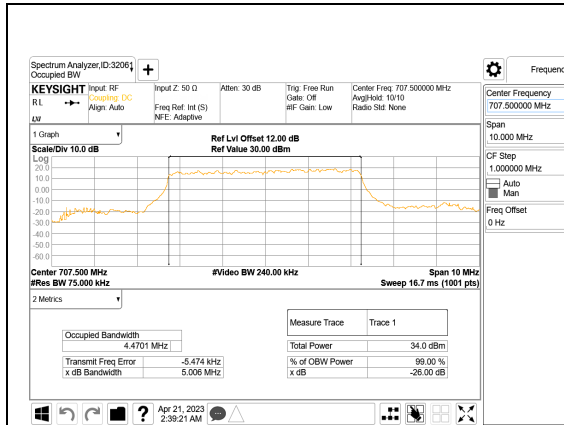


LTE B12 10MHz QPSK Middle Channel RB1-0

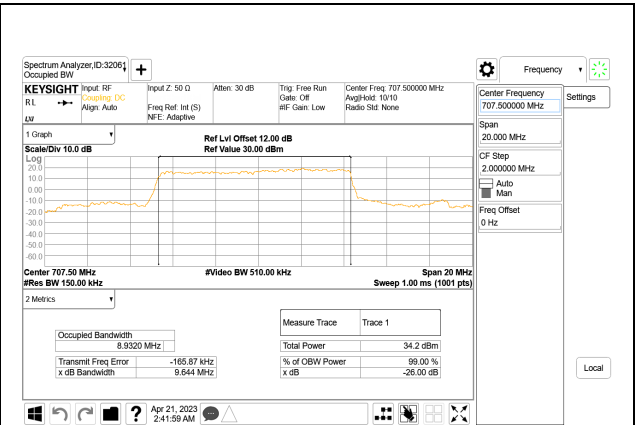


Intentionally Blank

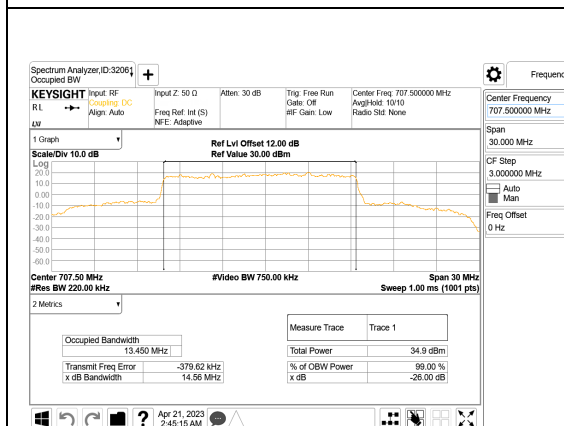
5G NR n12



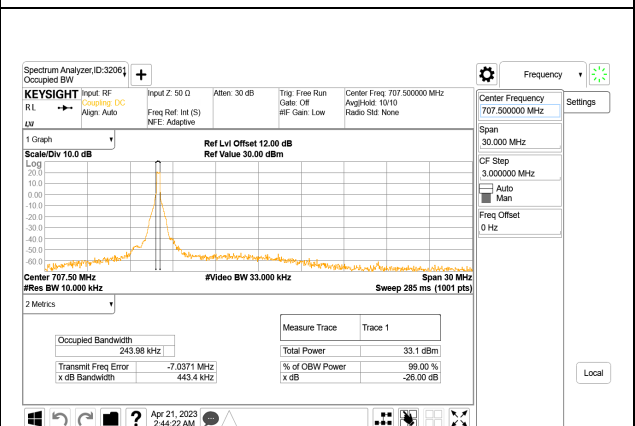
5G NR n12 5MHz BPSK Middle Channel RB25-0



5G NR n12 10MHz BPSK Middle Channel RB50-0

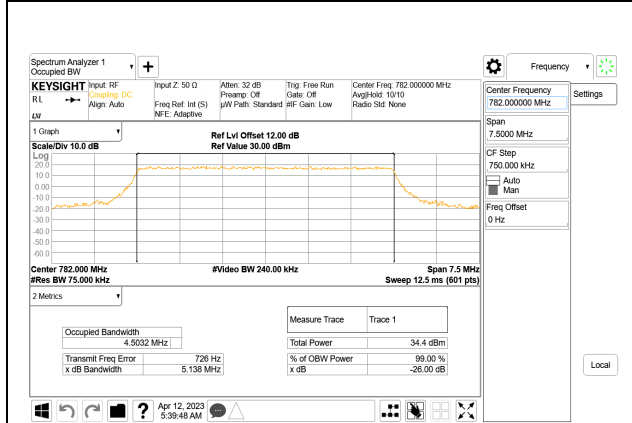


5G NR n12 15MHz BPSK Middle Channel RB75-0

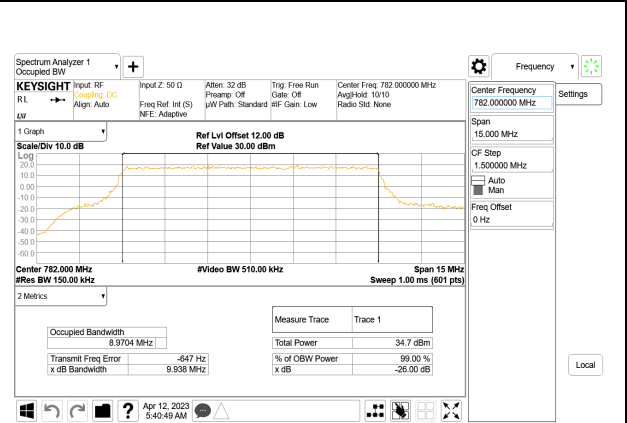


5G NR n12 15MHz BPSK Middle Channel RB1-0

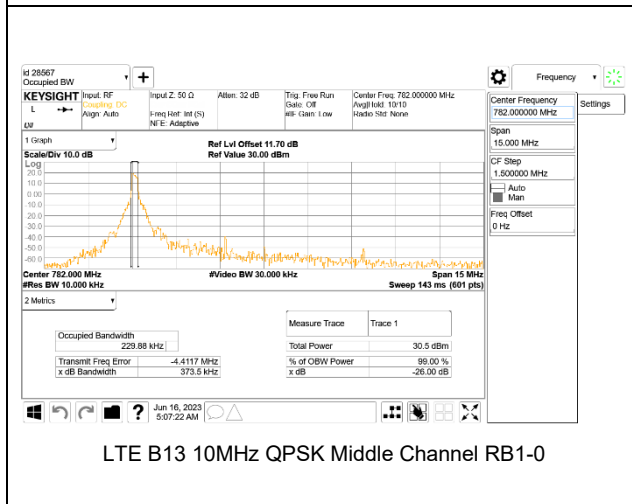
9.1.3. LTE BAND 13



LTE B13 5MHz QPSK Middle Channel RB25-0, ID:28498



LTE B13 10MHz QPSK Middle Channel RB50-0, ID:28498

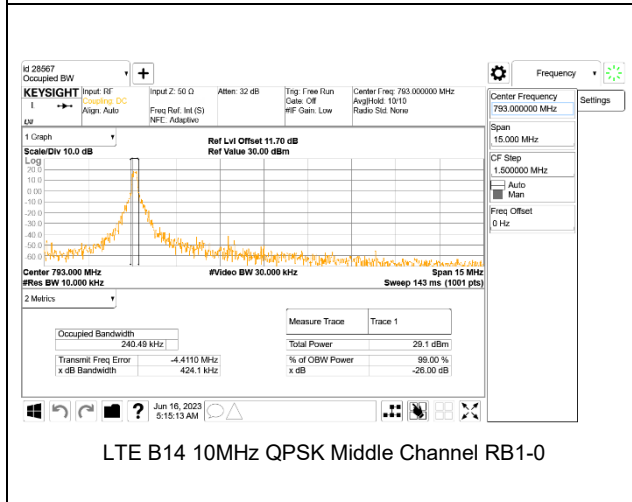
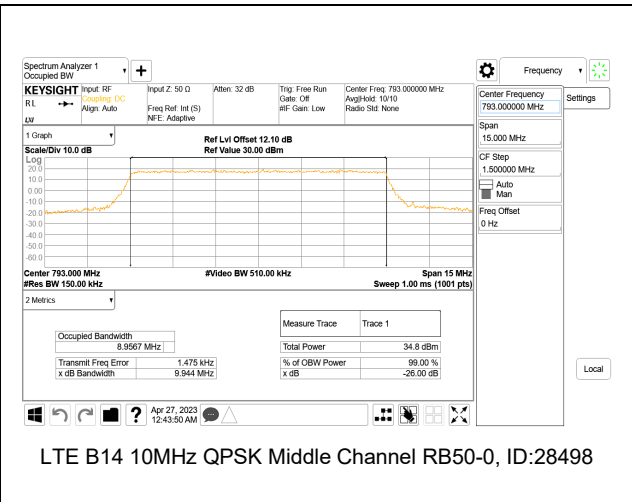
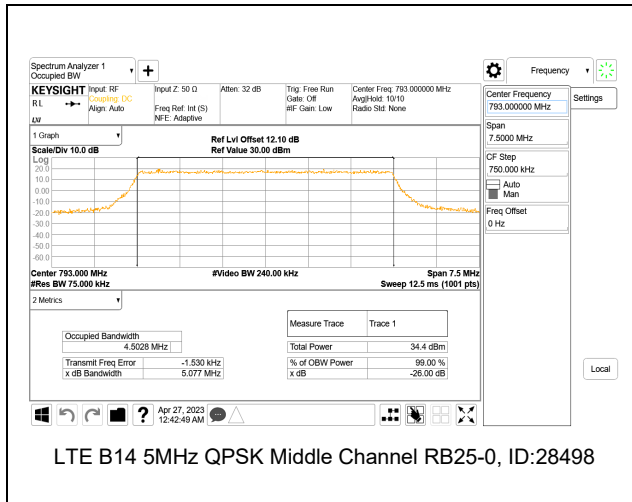


LTE B13 10MHz QPSK Middle Channel RB1-0

Intentionally Blank

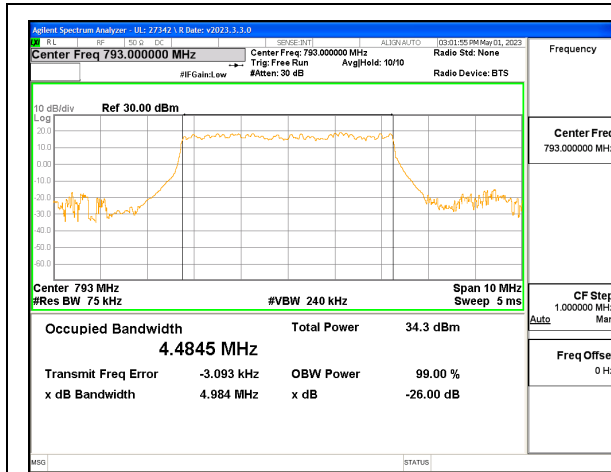
### 9.1.4. LTE BAND 14 AND 5G NR n14

#### LTE BAND 14

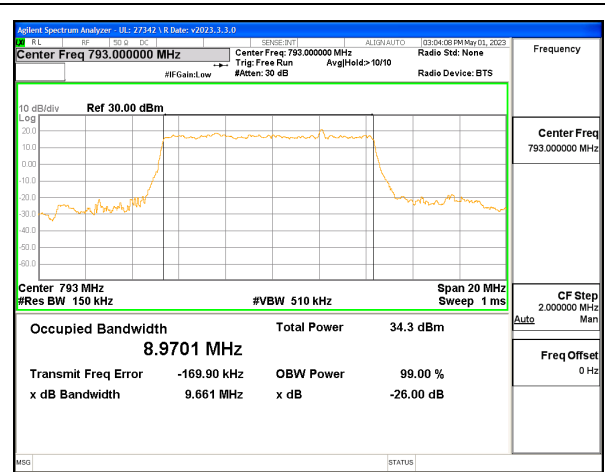


Intentionally Blank

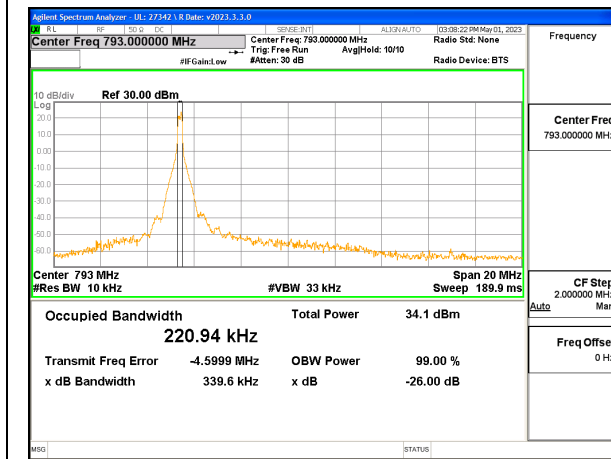
**5G NR n14**



5G NR n14 5MHz BPSK Middle Channel RB25-0



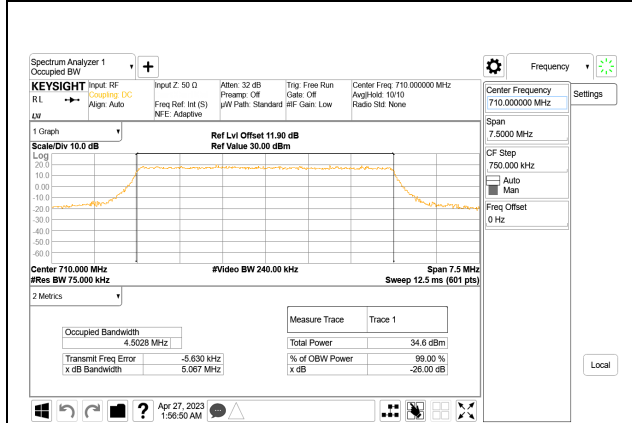
5G NR n14 10MHz BPSK Middle Channel RB50-0



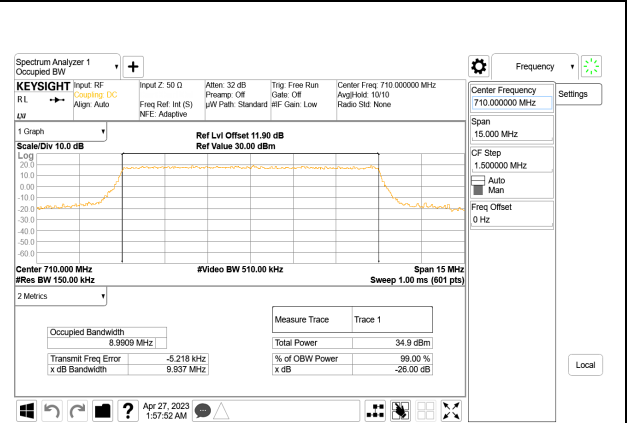
5G NR n14 10MHz BPSK Middle Channel RB1-0

Intentionally Blank

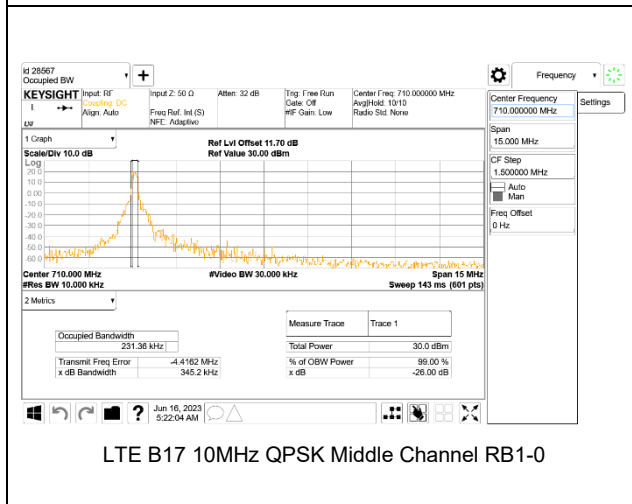
9.1.5. LTE BAND 17



LTE B17 5MHz QPSK Middle Channel RB25-0, ID:28567



LTE B17 10MHz QPSK Middle Channel RB50-0, ID:28567

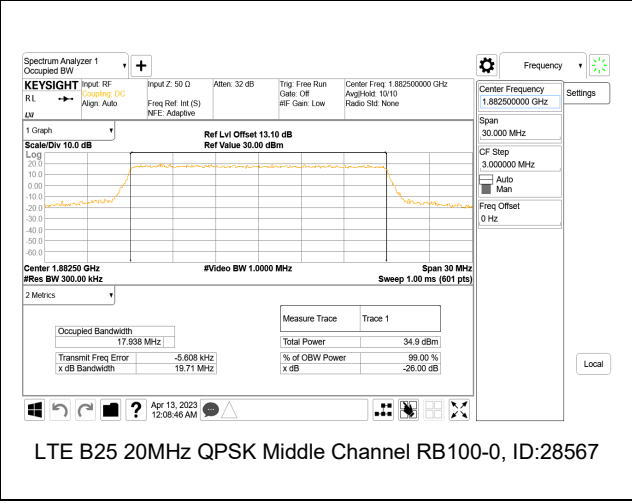
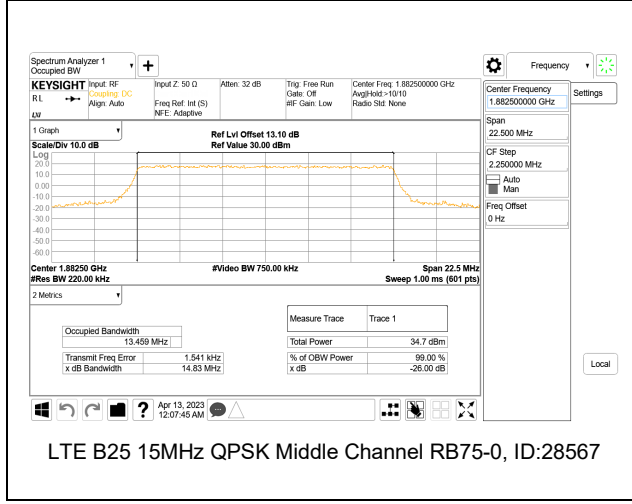
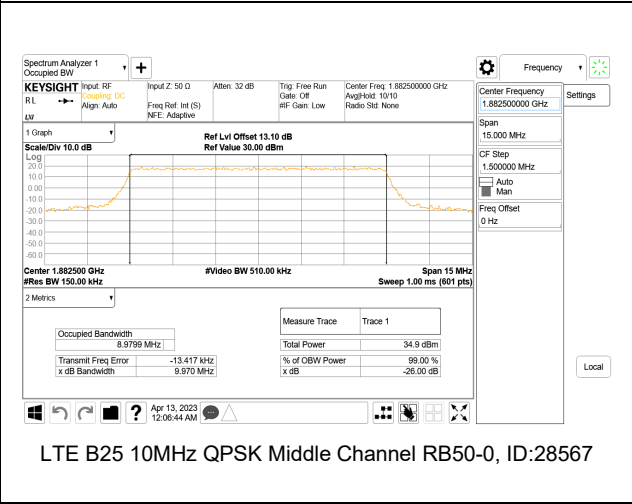
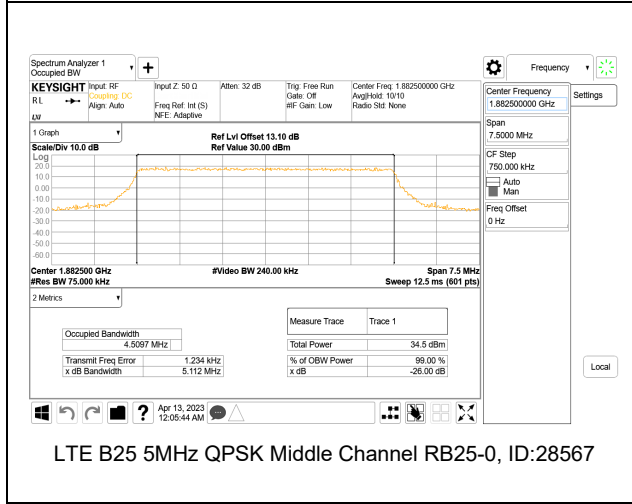
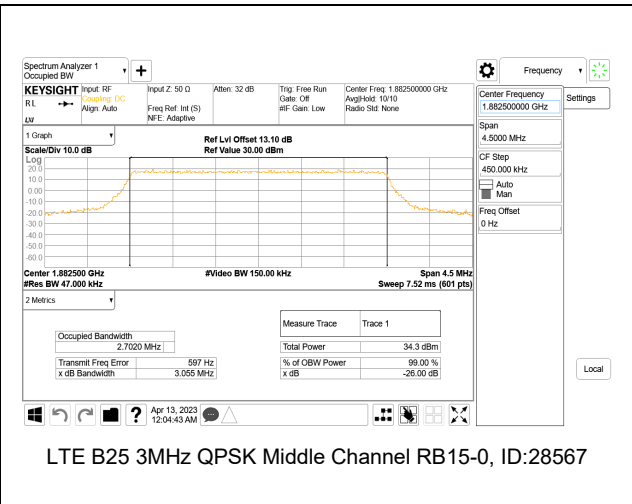
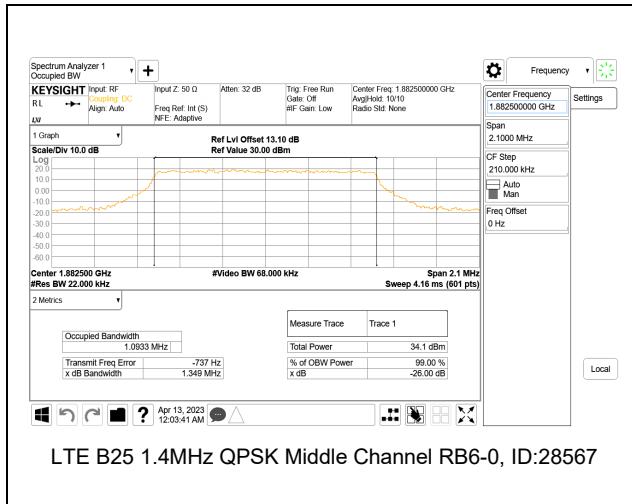


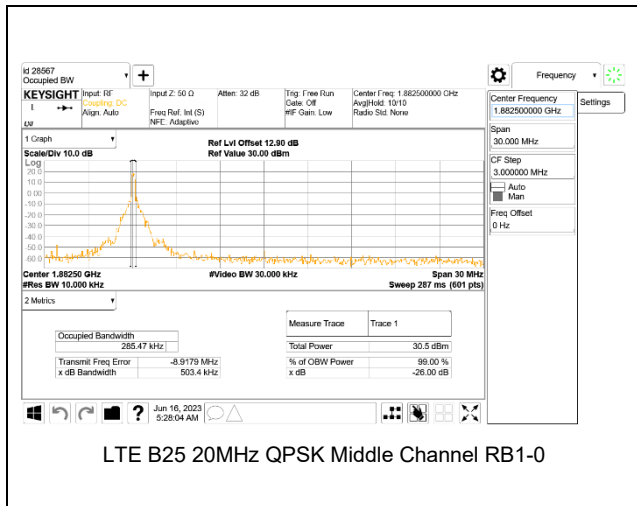
LTE B17 10MHz QPSK Middle Channel RB1-0

Intentionally Blank

### 9.1.6. LTE BAND 25 AND 5G NR n25

#### LTE BAND 25

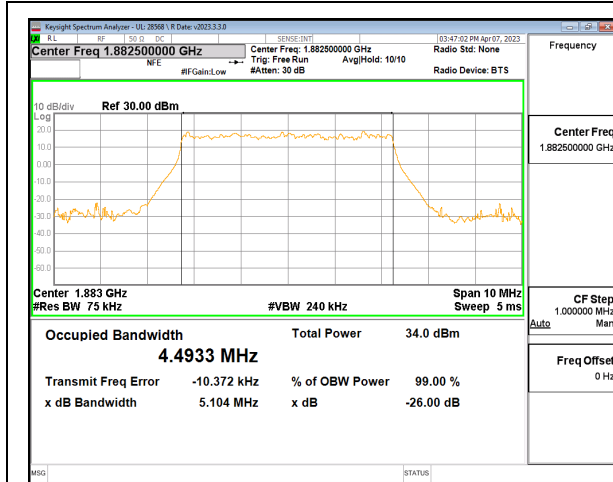




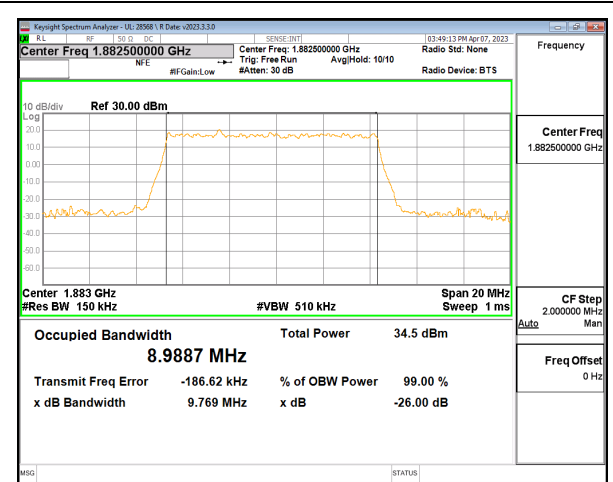
Intentionally Blank



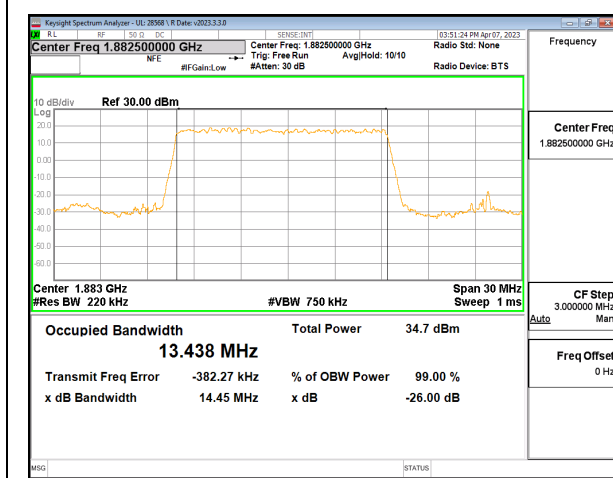
5G NR n25



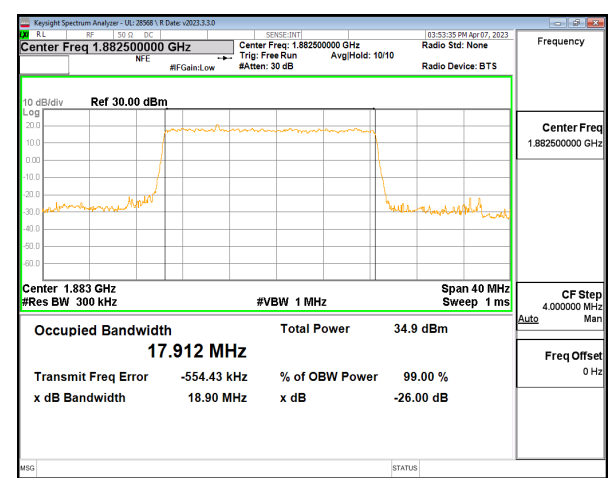
5G NR n25 5MHz BPSK Middle Channel RB25-0



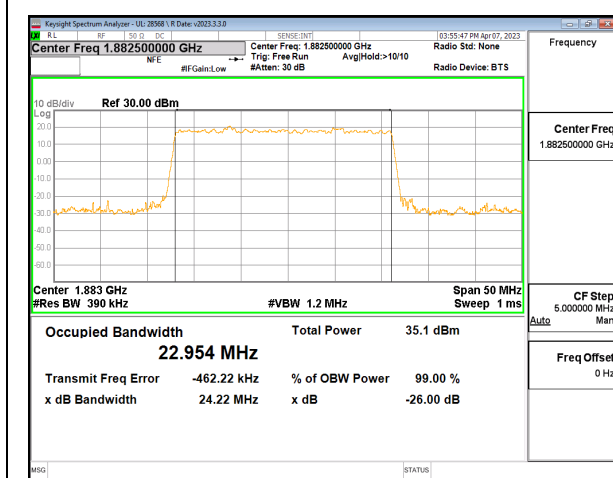
5G NR n25 10MHz BPSK Middle Channel RB50-0



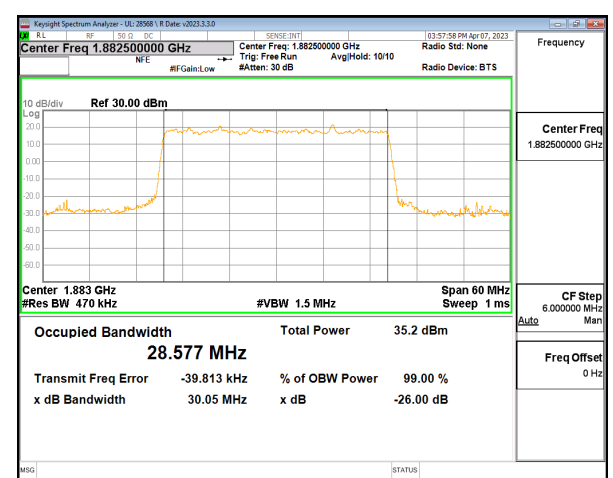
5G NR n25 15MHz BPSK Middle Channel RB75-0



5G NR n25 20MHz BPSK Middle Channel RB100-0



5G NR n25 25MHz BPSK Middle Channel RB128-0



5G NR n25 30MHz BPSK Middle Channel RB160-0