

HAC-RF Emission System Check 2011

Communication System: UID 0, CW; Frequency: 835 MHz; Duty Cycle: 1:1

Phantom section: RF Section

DASY5 Configuration:

- Probe: EF3DV3 - SN4028; ConvF(1, 1, 1) @ 835 MHz; Calibrated: 9/22/2022

- Sensor-Surface: (Fix Surface)

- Electronics: DAE4 Sn1352; Calibrated: 11/18/2022

- Phantom: HAC Test Arch with AMCC; Type: SD HAC P01 BB

- Measurement SW: DASY52, Version 52.10 (4); SEMCAD X Version 14.6.14 (7495)

Dipole E-Field measurement 835MHz/835 MHz/Hearing Aid Compatibility Test at 15mm distance (41x361x1):

Interpolated grid: dx=0.5000 mm, dy=0.5000 mm

Device Reference Point: 0, 0, -6.3 mm

Reference Value = 131.2 V/m; Power Drift = 0.00 dB

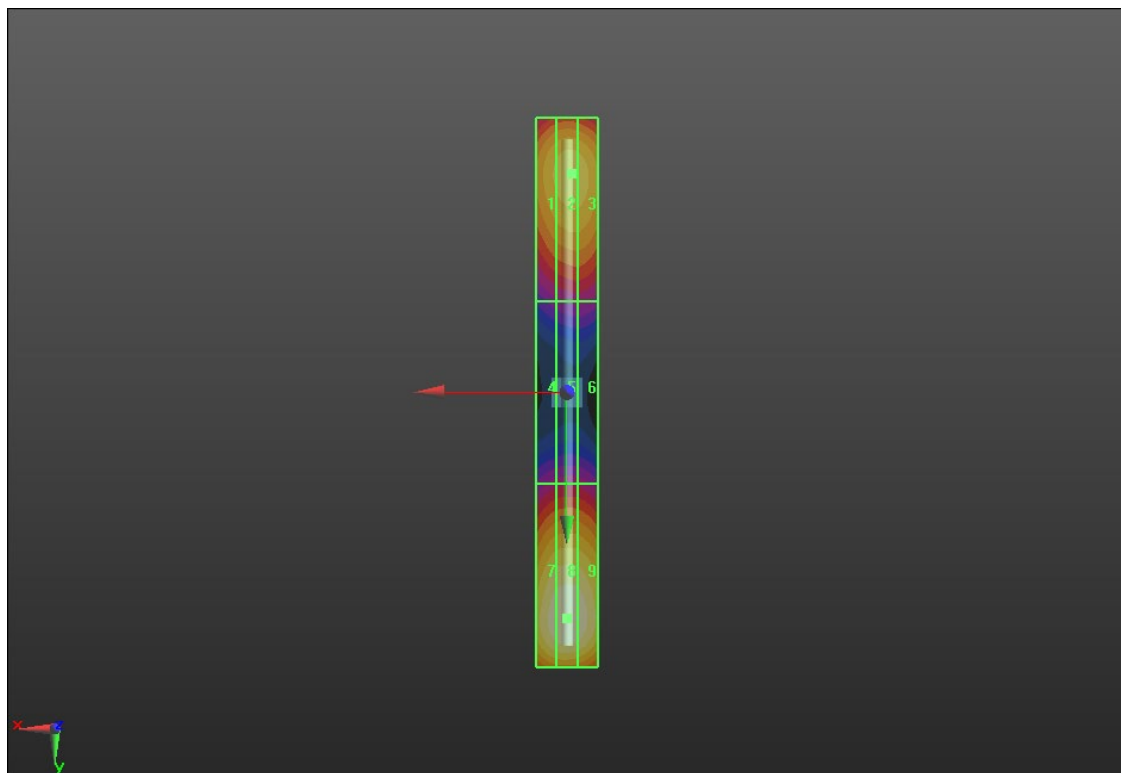
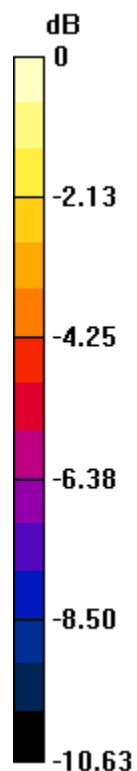
Applied MIF = 0.00 dB

RF audio interference level = 41.79 dBV/m

Emission category: **M3**

MIF scaled E-field

Grid 1 M4 39.83 dBV/m	Grid 2 M3 40.16 dBV/m	Grid 3 M3 40.12 dBV/m
Grid 4 M4 35.86 dBV/m	Grid 5 M4 36.03 dBV/m	Grid 6 M4 35.95 dBV/m
Grid 7 M3 41.6 dBV/m	Grid 8 M3 41.79 dBV/m	Grid 9 M3 41.64 dBV/m



0 dB = 122.9 V/m = 41.79 dBV/m

HAC-RF Emission System Check 2011

Communication System: UID 0, CW; Frequency: 1880 MHz; Duty Cycle: 1:1

Phantom section: RF Section

DASY5 Configuration:

- Probe: EF3DV3 - SN4028; ConvF(1, 1, 1) @ 1880 MHz; Calibrated: 9/22/2022

- Sensor-Surface: (Fix Surface)

- Electronics: DAE4 Sn1352; Calibrated: 11/18/2022

- Phantom: HAC Test Arch with AMCC; Type: SD HAC P01 BB

- Measurement SW: DASY52, Version 52.10 (4); SEMCAD X Version 14.6.14 (7495)

Dipole E-Field Measurement 1880MHz/1880 MHz/Hearing Aid Compatibility Test at 15mm distance (41x181x1): Interpolated grid: dx=0.5000 mm, dy=0.5000 mm

Device Reference Point: 0, 0, -6.3 mm

Reference Value = 152.9 V/m; Power Drift = 0.11 dB

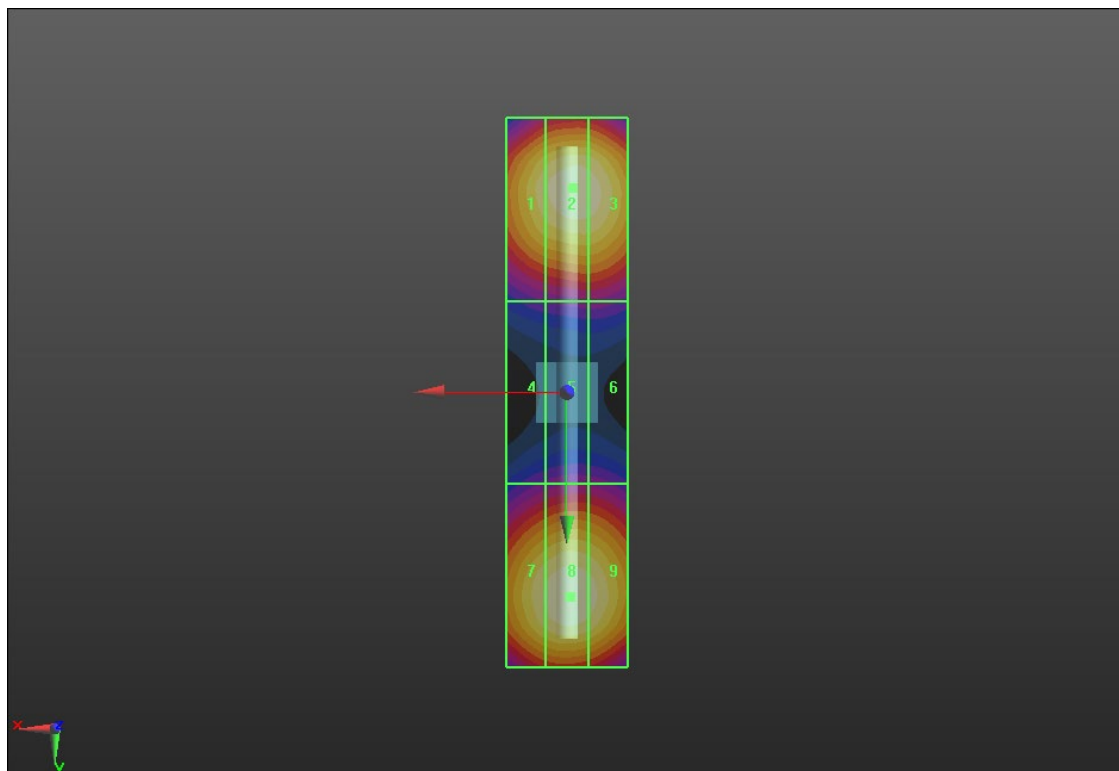
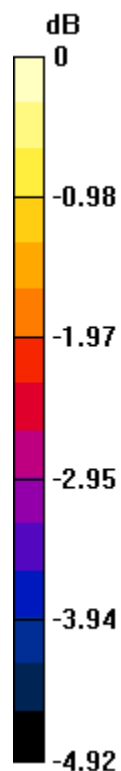
Applied MIF = 0.00 dB

RF audio interference level = 39.25 dBV/m

Emission category: **M2**

MIF scaled E-field

Grid 1 M2 38.88 dBV/m	Grid 2 M2 39.23 dBV/m	Grid 3 M2 39.16 dBV/m
Grid 4 M2 36.09 dBV/m	Grid 5 M2 36.29 dBV/m	Grid 6 M2 36.26 dBV/m
Grid 7 M2 38.98 dBV/m	Grid 8 M2 39.25 dBV/m	Grid 9 M2 39.11 dBV/m



0 dB = 91.69 V/m = 39.25 dBV/m

HAC-RF Emission System Check 2011

Communication System: UID 0, CW (0); Frequency: 2450 MHz; Duty Cycle: 1:1

Phantom section: RF Section

DASY5 Configuration:

- Probe: EF3DV3 - SN4028; ConvF(1, 1, 1) @ 2450 MHz; Calibrated: 9/22/2022

- Sensor-Surface: (Fix Surface)

- Electronics: DAE4 Sn1352; Calibrated: 11/18/2022

- Phantom: HAC Test Arch with AMCC; Type: SD HAC P01 BB

- Measurement SW: DASY52, Version 52.10 (4); SEMCAD X Version 14.6.14 (7495)

Dipole E-Field Measurement 2450MHz/2450 MHz/Hearing Aid Compatibility Test at 15mm distance (41x181x1):

Interpolated grid: dx=0.5000 mm, dy=0.5000 mm

Device Reference Point: 0, 0, -6.3 mm

Reference Value = 84.80 V/m; Power Drift = 0.08 dB

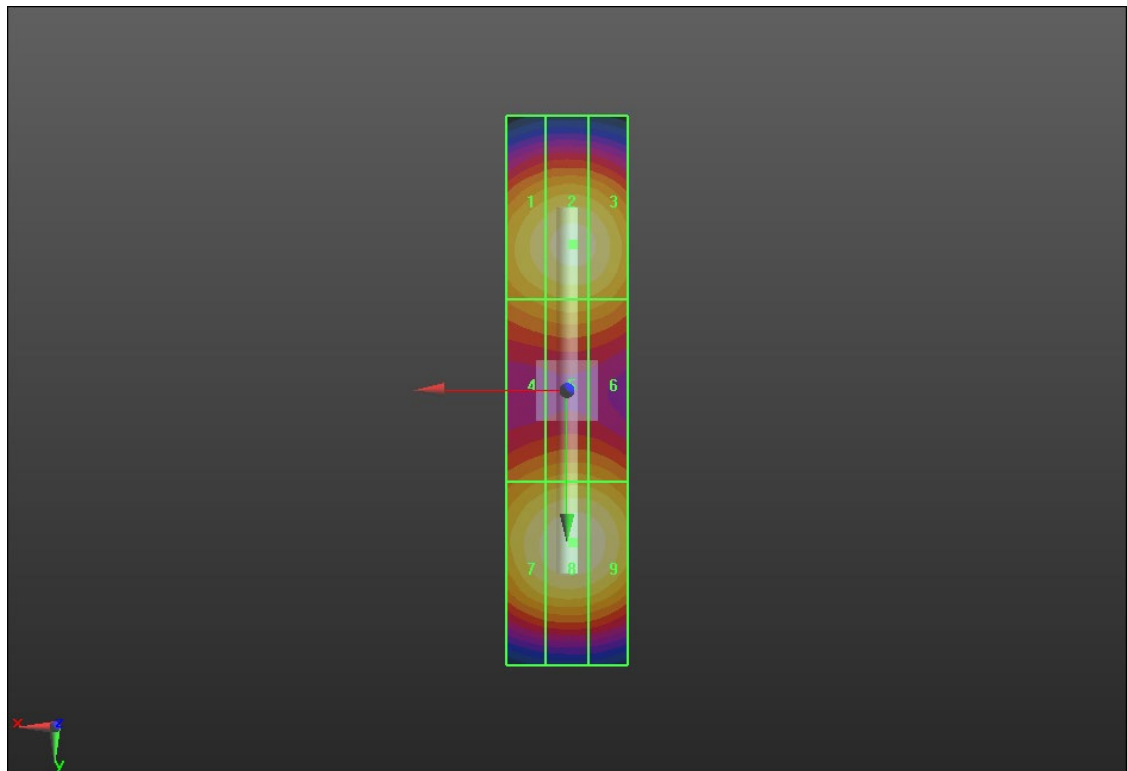
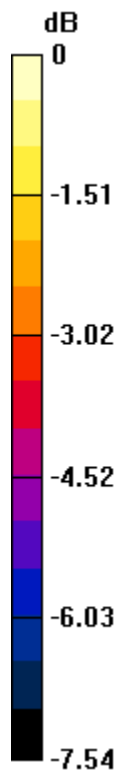
Applied MIF = 0.00 dB

RF audio interference level = 39.77 dBV/m

Emission category: **M2**

MIF scaled E-field

Grid 1 M2 39.18 dBV/m	Grid 2 M2 39.5 dBV/m	Grid 3 M2 39.42 dBV/m
Grid 4 M2 38.04 dBV/m	Grid 5 M2 38.28 dBV/m	Grid 6 M2 38.2 dBV/m
Grid 7 M2 39.43 dBV/m	Grid 8 M2 39.77 dBV/m	Grid 9 M2 39.67 dBV/m



0 dB = 97.40 V/m = 39.77 dBV/m

HAC-RF Emission System Check 2011

Communication System: UID 0, CW (0); Frequency: 3500 MHz; Duty Cycle: 1:1

Phantom section: RF Section

DASY5 Configuration:

- Probe: EF3DV3 - SN4028; ConvF(1, 1, 1) @ 3500 MHz; Calibrated: 9/22/2022

- Sensor-Surface: (Fix Surface)

- Electronics: DAE4 Sn1352; Calibrated: 11/18/2022

- Phantom: HAC Test Arch with AMCC; Type: SD HAC P01 BB

- Measurement SW: DASY52, Version 52.10 (4); SEMCAD X Version 14.6.14 (7495)

Dipole E-Field Measurement 3500MHz/3500 MHz/Hearing Aid Compatibility Test at 15mm distance (41x181x1):

Interpolated grid: dx=0.5000 mm, dy=0.5000 mm

Device Reference Point: 0, 0, -6.3 mm

Reference Value = 37.04 V/m; Power Drift = -0.01 dB

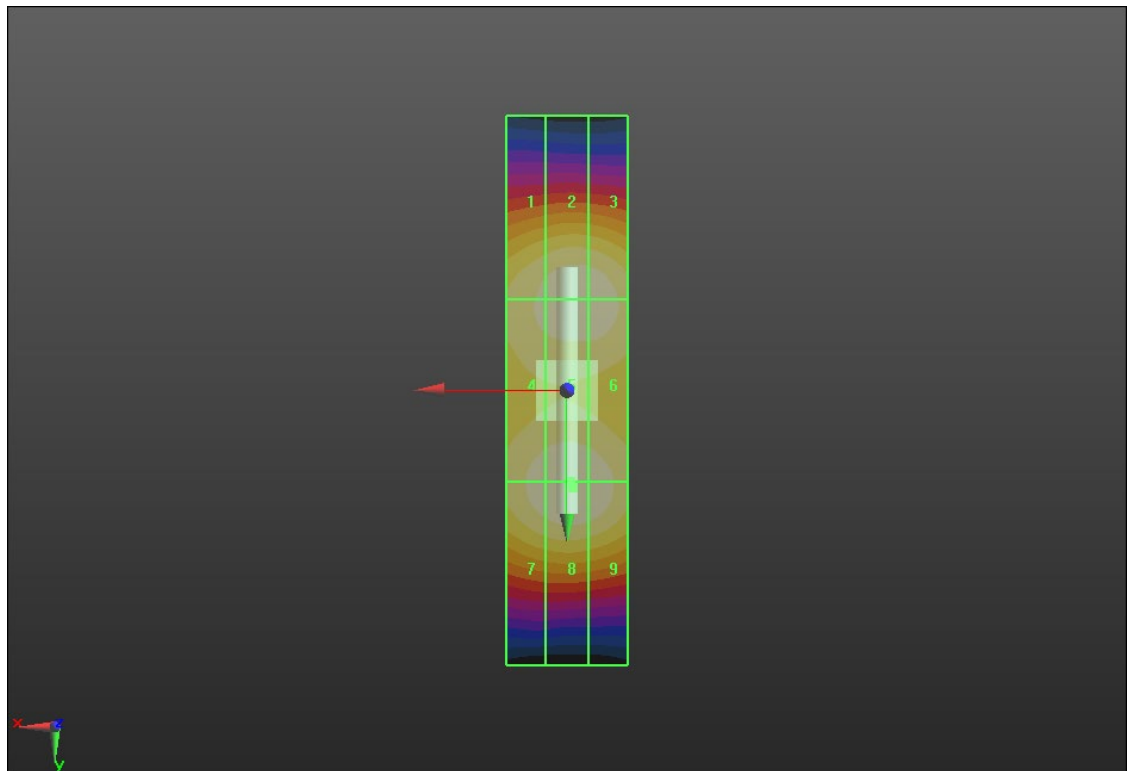
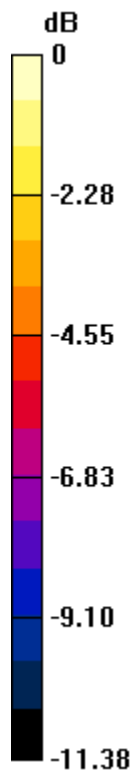
Applied MIF = 0.00 dB

RF audio interference level = 39.14 dBV/m

Emission category: **M2**

MIF scaled E-field

Grid 1 M2 38.6 dBV/m	Grid 2 M2 39.01 dBV/m	Grid 3 M2 38.95 dBV/m
Grid 4 M2 38.83 dBV/m	Grid 5 M2 39.13 dBV/m	Grid 6 M2 38.98 dBV/m
Grid 7 M2 38.83 dBV/m	Grid 8 M2 39.14 dBV/m	Grid 9 M2 39 dBV/m



0 dB = 90.55 V/m = 39.14 dBV/m

HAC-RF Emission System Check 2011

Communication System: UID 0, CW (0); Frequency: 5500 MHz; Duty Cycle: 1:1

Phantom section: RF Section

DASY5 Configuration:

- Probe: EF3DV3 - SN4028; ConvF(1, 1, 1) @ 5500 MHz; Calibrated: 9/22/2022

- Sensor-Surface: (Fix Surface)

- Electronics: DAE4 Sn1352; Calibrated: 11/18/2022

- Phantom: HAC Test Arch with AMCC; Type: SD HAC P01 BB

- Measurement SW: DASY52, Version 52.10 (4); SEMCAD X Version 14.6.14 (7495)

Dipole E-Field Measurement 5.5GHz/5.5GHz/Hearing Aid Compatibility Test at 15mm distance (41x181x1):

Interpolated grid: dx=0.5000 mm, dy=0.5000 mm

Device Reference Point: 0, 0, -6.3 mm

Reference Value = 28.61 V/m; Power Drift = 0.15 dB

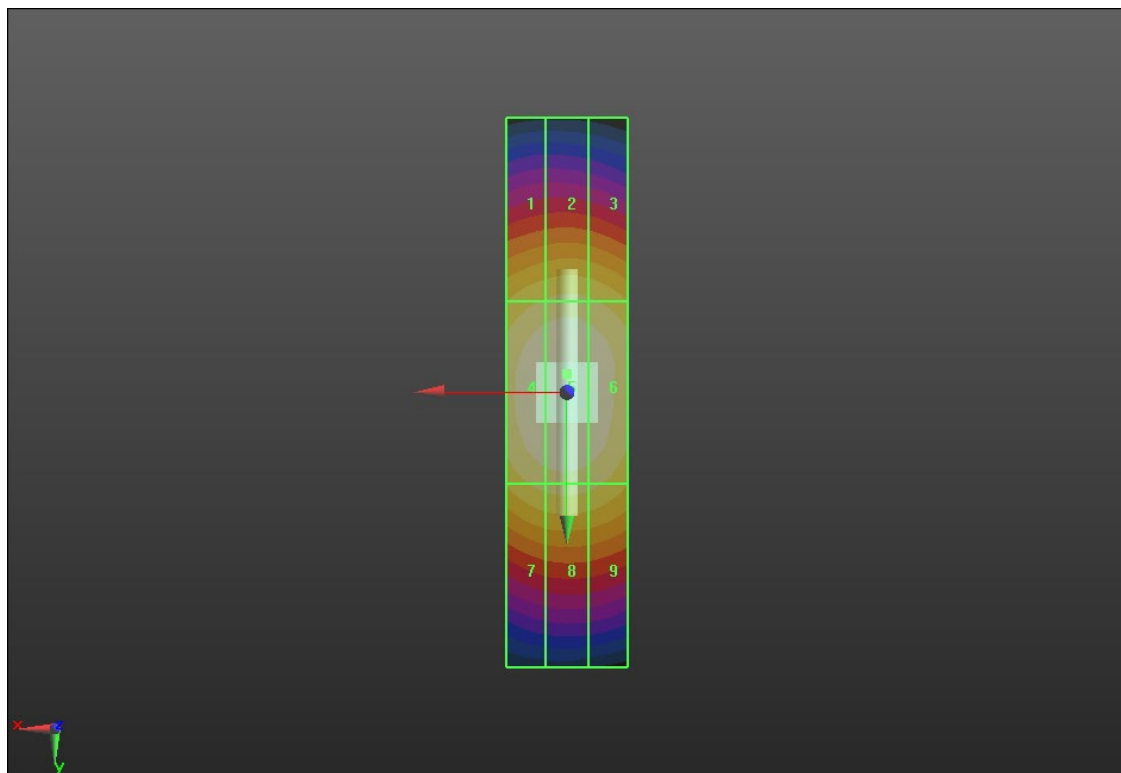
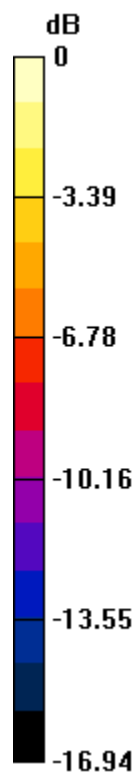
Applied MIF = 0.00 dB

RF audio interference level = 41.24 dBV/m

Emission category: **M1**

MIF scaled E-field

Grid 1 M2 39.11 dBV/m	Grid 2 M2 39.38 dBV/m	Grid 3 M2 39.18 dBV/m
Grid 4 M1 41.07 dBV/m	Grid 5 M1 41.24 dBV/m	Grid 6 M1 41 dBV/m
Grid 7 M2 39.42 dBV/m	Grid 8 M2 39.58 dBV/m	Grid 9 M2 39.35 dBV/m



0 dB = 115.3 V/m = 41.24 dBV/m

HAC-RF Emission System Check 2011

Communication System: UID 0, CW (0); Frequency: 2600 MHz; Duty Cycle: 1:1

Phantom section: RF Section

DASY5 Configuration:

- Probe: EF3DV3 - SN4028; ConvF(1, 1, 1) @ 2600 MHz; Calibrated: 9/22/2022
- Sensor-Surface: (Fix Surface)
- Electronics: DAE4 Sn1352; Calibrated: 11/18/2022
- Phantom: HAC Test Arch with AMCC; Type: SD HAC P01 BB
- Measurement SW: DASY52, Version 52.10 (4);SEMCAD X Version 14.6.14 (7495)

Dipole E-Field Measurement 2600MHz/2600 MHz/Hearing Aid Compatibility Test at 15mm distance (41x181x1):

Interpolated grid: dx=0.5000 mm, dy=0.5000 mm

Device Reference Point: 0, 0, -6.3 mm

Reference Value = 69.47 V/m; Power Drift = -0.06 dB

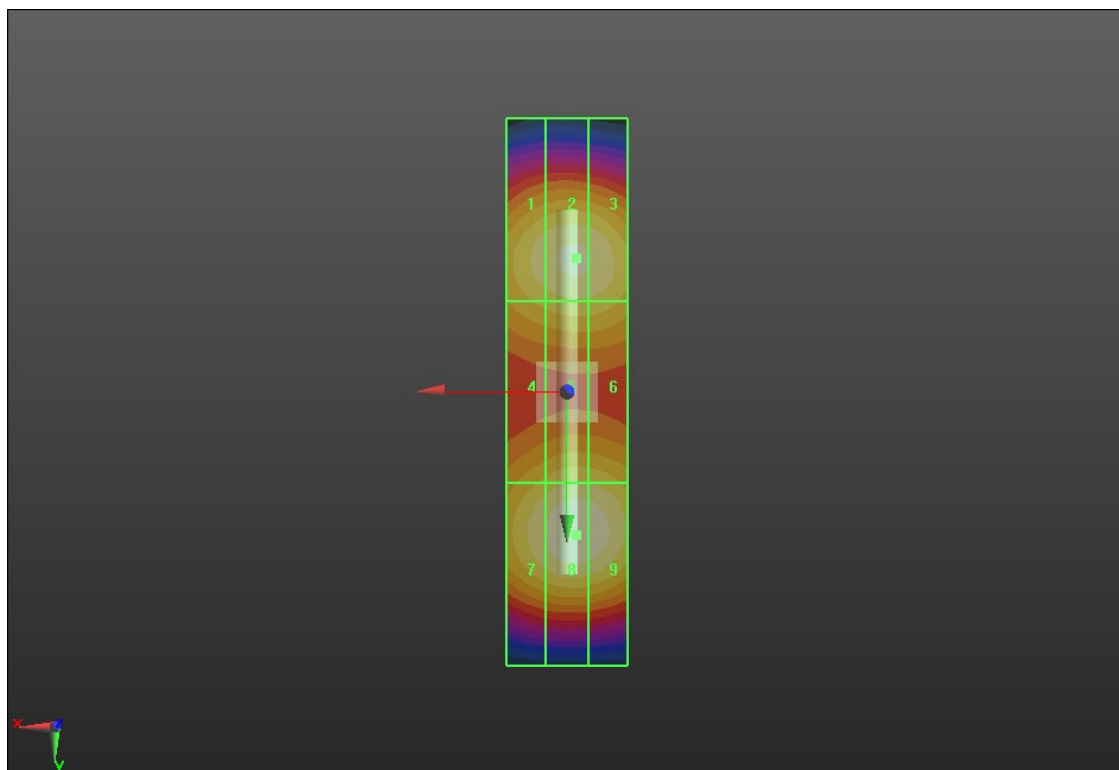
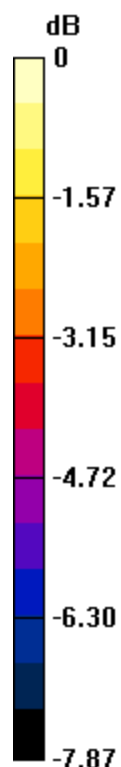
Applied MIF = 0.00 dB

RF audio interference level = 39.46 dBV/m

Emission category: **M2**

MIF scaled E-field

Grid 1 M2 38.76 dBV/m	Grid 2 M2 39.05 dBV/m	Grid 3 M2 38.98 dBV/m
Grid 4 M2 38.1 dBV/m	Grid 5 M2 38.47 dBV/m	Grid 6 M2 38.42 dBV/m
Grid 7 M2 38.97 dBV/m	Grid 8 M2 39.46 dBV/m	Grid 9 M2 39.38 dBV/m



0 dB = 93.94 V/m = 39.46 dBV/m