

HAC-RF Emission System Check 2011

Communication System: UID 0, CW; Frequency: 835 MHz; Duty Cycle: 1:1

Phantom section: RF Section

DASY5 Configuration:

- Probe: EF3DV3 - SN4028; ConvF(1, 1, 1) @ 835 MHz; Calibrated: 9/22/2022
- Sensor-Surface: (Fix Surface)
- Electronics: DAE4 Sn1352; Calibrated: 11/18/2022
- Phantom: HAC Test Arch with AMCC; Type: SD HAC P01 BB
- Measurement SW: DASY52, Version 52.10 (4); SEMCAD X Version 14.6.14 (7495)

Dipole E-Field measurement 835MHz/835 MHz/Hearing Aid Compatibility Test at 15mm distance (41x361x1): Interpolated grid: dx=0.5000 mm, dy=0.5000 mm

Device Reference Point: 0, 0, -6.3 mm

Reference Value = 120.0 V/m; Power Drift = 0.17 dB

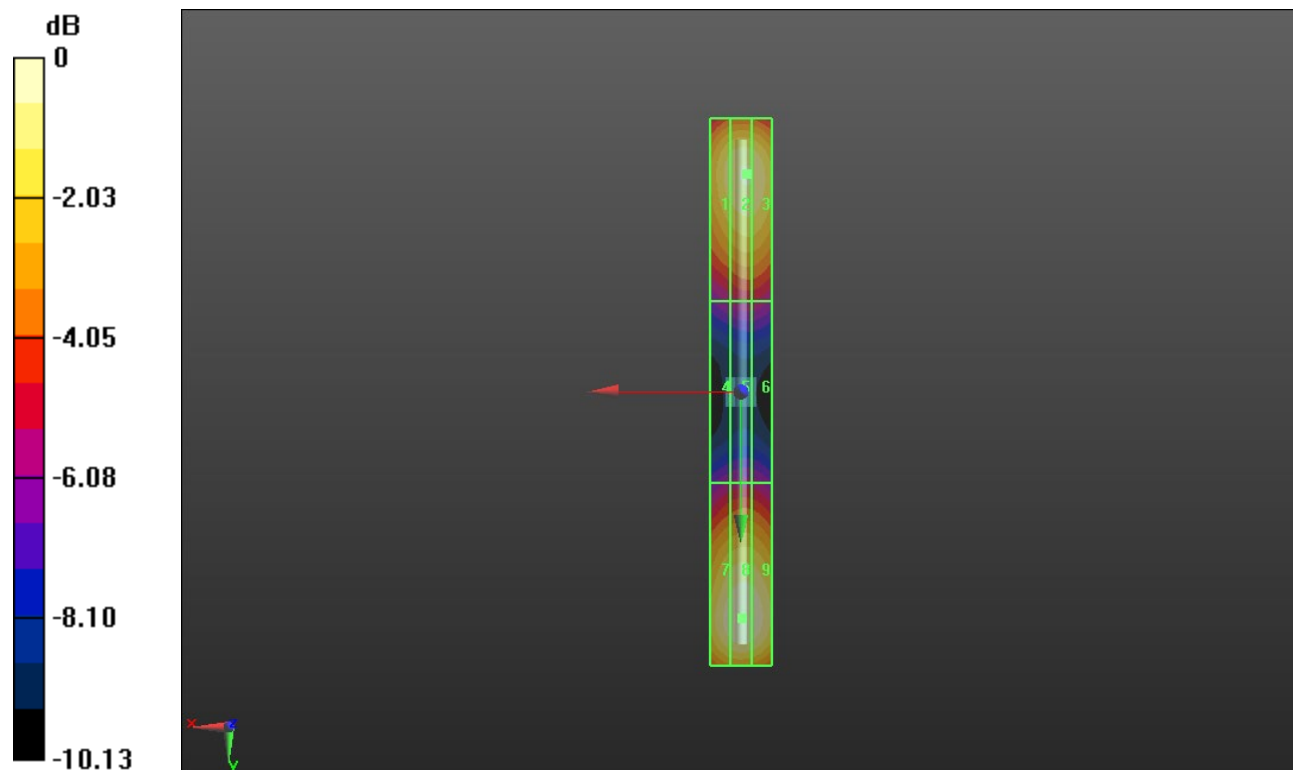
Applied MIF = 0.00 dB

RF audio interference level = 41.44 dBV/m

Emission category: **M3**

MIF scaled E-field

Grid 1 M3 40.48 dBV/m	Grid 2 M3 40.82 dBV/m	Grid 3 M3 40.78 dBV/m
Grid 4 M4 35.67 dBV/m	Grid 5 M4 36.1 dBV/m	Grid 6 M4 36.09 dBV/m
Grid 7 M3 41.17 dBV/m	Grid 8 M3 41.44 dBV/m	Grid 9 M3 41.34 dBV/m



0 dB = 118.0 V/m = 41.44 dBV/m

HAC-RF Emission System Check 2011

Communication System: UID 0, CW; Frequency: 1880 MHz; Duty Cycle: 1:1
 Phantom section: RF Section
 DASY5 Configuration:
 - Probe: EF3DV3 - SN4028; ConvF(1, 1, 1) @ 1880 MHz; Calibrated: 9/22/2022
 - Sensor-Surface: (Fix Surface)
 - Electronics: DAE4 Sn1352; Calibrated: 11/18/2022
 - Phantom: HAC Test Arch with AMCC; Type: SD HAC P01 BB
 - Measurement SW: DASY52, Version 52.10 (4);SEMCAD X Version 14.6.14 (7495)

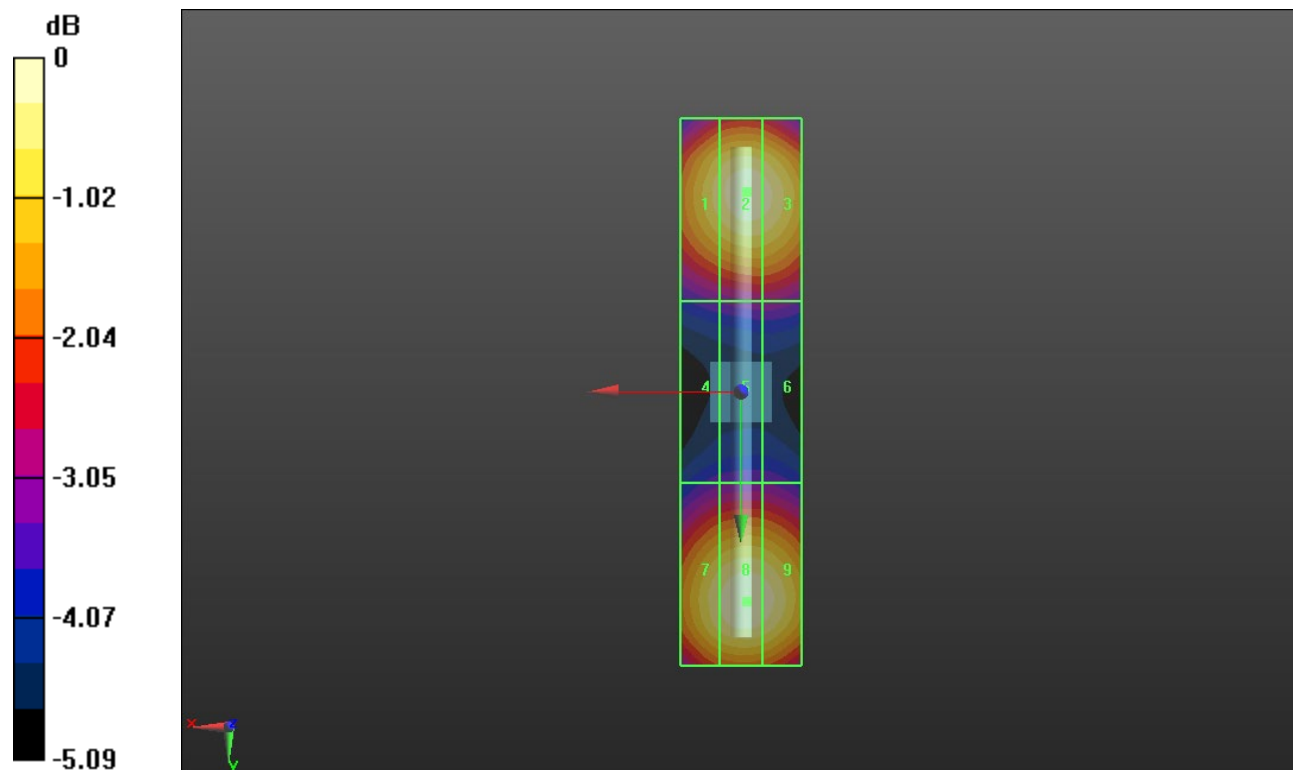
Dipole E-Field Measurement 1880MHz/1880 MHz/Hearing Aid Compatibility Test at 15mm distance (41x181x1): Interpolated grid: dx=0.5000 mm, dy=0.5000 mm

Device Reference Point: 0, 0, -6.3 mm
 Reference Value = 158.5 V/m; Power Drift = 0.02 dB
 Applied MIF = 0.00 dB
 RF audio interference level = 39.23 dBV/m

Emission category: **M2**

MIF scaled E-field

Grid 1 M2 38.78 dBV/m	Grid 2 M2 39.18 dBV/m	Grid 3 M2 39.07 dBV/m
Grid 4 M2 35.93 dBV/m	Grid 5 M2 36.21 dBV/m	Grid 6 M2 36.21 dBV/m
Grid 7 M2 38.9 dBV/m	Grid 8 M2 39.23 dBV/m	Grid 9 M2 39.13 dBV/m



0 dB = 91.54 V/m = 39.23 dBV/m

HAC-RF Emission System Check 2011

Communication System: UID 0, CW (0); Frequency: 2600 MHz; Duty Cycle: 1:1

Phantom section: RF Section

DASY5 Configuration:

- Probe: EF3DV3 - SN4028; ConvF(1, 1, 1) @ 2600 MHz; Calibrated: 9/22/2022
- Sensor-Surface: (Fix Surface)
- Electronics: DAE4 Sn1352; Calibrated: 11/18/2022
- Phantom: HAC Test Arch with AMCC; Type: SD HAC P01 BB
- Measurement SW: DASY52, Version 52.10 (4);SEMCAD X Version 14.6.14 (7495)

Dipole E-Field Measurement 2600MHz/2600 MHz/Hearing Aid Compatibility Test at 15mm distance (41x181x1): Interpolated grid: dx=0.5000 mm, dy=0.5000 mm

Device Reference Point: 0, 0, -6.3 mm

Reference Value = 69.61 V/m; Power Drift = -0.08 dB

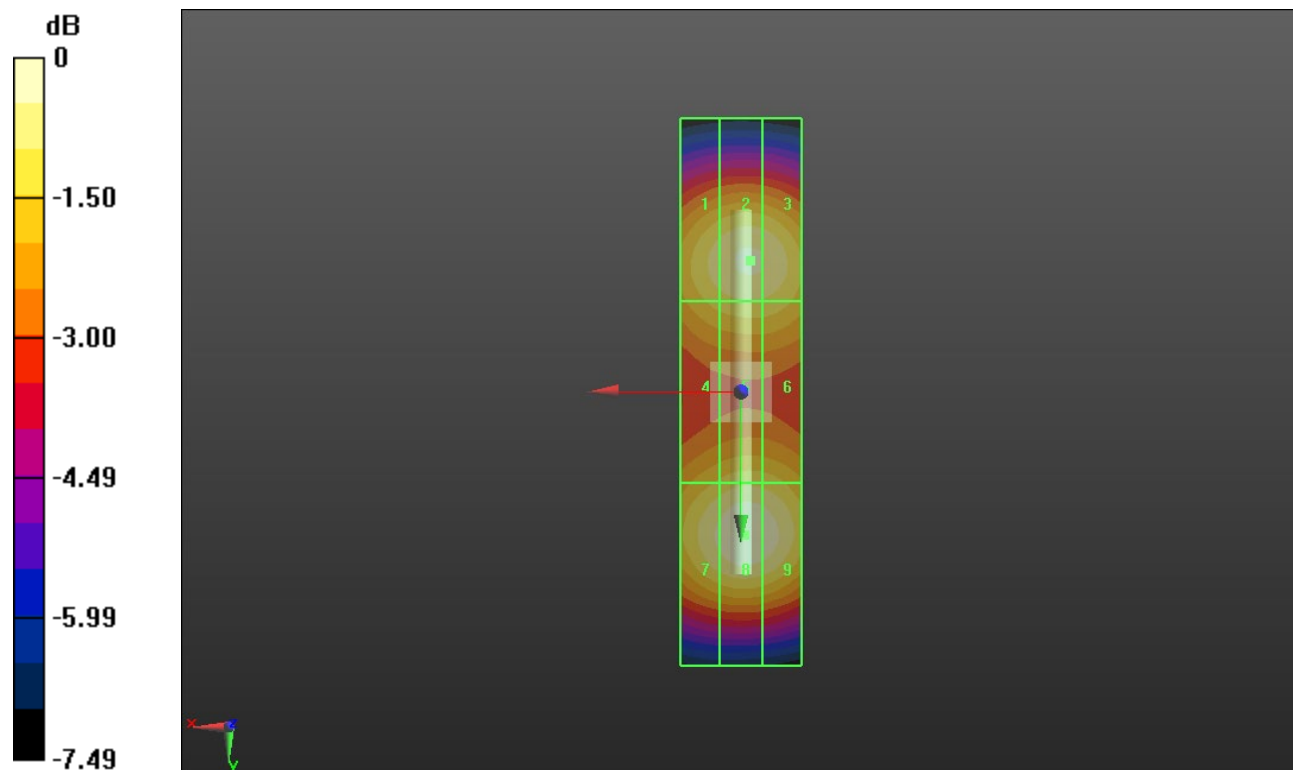
Applied MIF = 0.00 dB

RF audio interference level = 39.16 dBV/m

Emission category: **M2**

MIF scaled E-field

Grid 1 M2 38.44 dBV/m	Grid 2 M2 38.74 dBV/m	Grid 3 M2 38.69 dBV/m
Grid 4 M2 37.93 dBV/m	Grid 5 M2 38.16 dBV/m	Grid 6 M2 38.13 dBV/m
Grid 7 M2 38.79 dBV/m	Grid 8 M2 39.16 dBV/m	Grid 9 M2 39.03 dBV/m



0 dB = 90.81 V/m = 39.16 dBV/m

HAC-RF Emission System Check 2011

Communication System: UID 0, CW (0); Frequency: 3500 MHz; Duty Cycle: 1:1

Phantom section: RF Section

DASY5 Configuration:

- Probe: EF3DV3 - SN4028; ConvF(1, 1, 1) @ 3500 MHz; Calibrated: 9/22/2022
- Sensor-Surface: (Fix Surface)
- Electronics: DAE4 Sn1352; Calibrated: 11/18/2022
- Phantom: HAC Test Arch with AMCC; Type: SD HAC P01 BB
- Measurement SW: DASY52, Version 52.10 (4);SEMCAD X Version 14.6.14 (7495)

Dipole E-Field Measurement 3500MHz/3500 MHz/Hearing Aid Compatibility Test at 15mm distance (41x181x1): Interpolated grid: dx=0.5000 mm, dy=0.5000 mm

Device Reference Point: 0, 0, -6.3 mm

Reference Value = 38.92 V/m; Power Drift = 0.03 dB

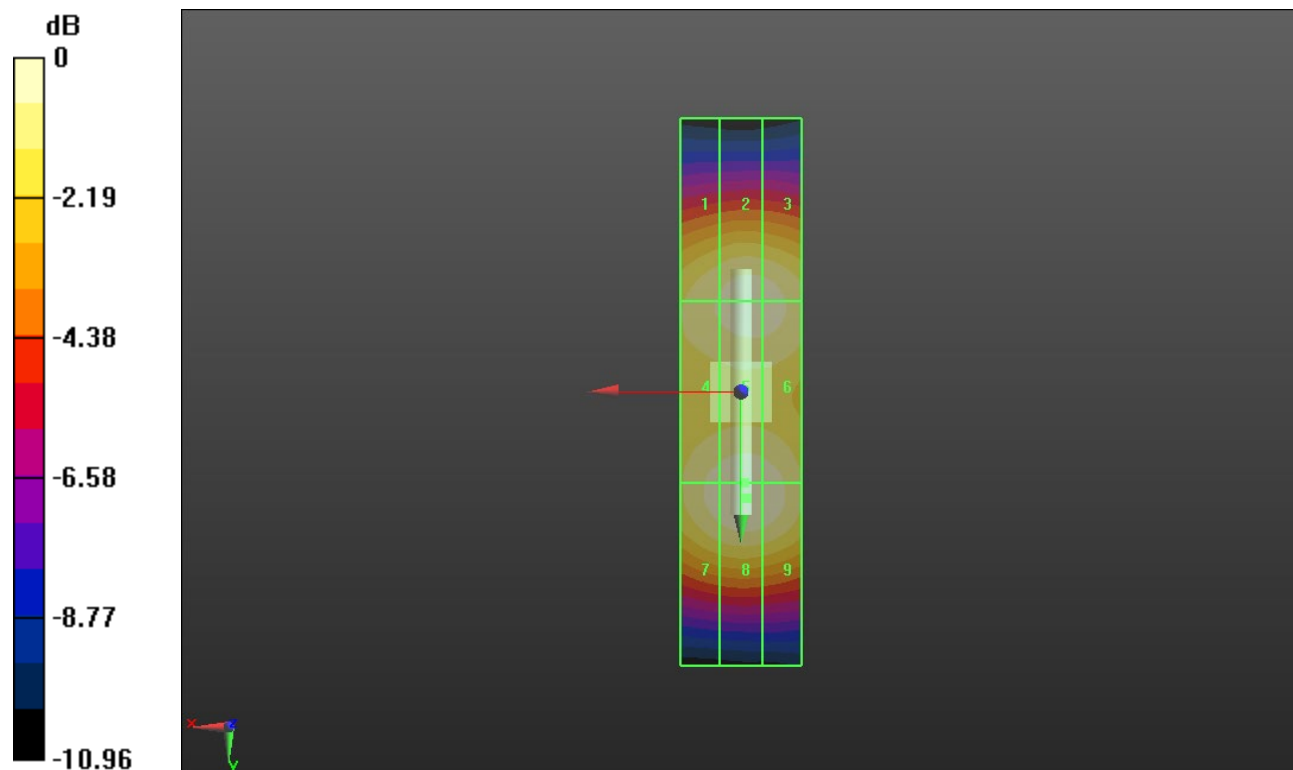
Applied MIF = 0.00 dB

RF audio interference level = 39.18 dBV/m

Emission category: **M2**

MIF scaled E-field

Grid 1 M2 38.53 dBV/m	Grid 2 M2 38.88 dBV/m	Grid 3 M2 38.83 dBV/m
Grid 4 M2 38.82 dBV/m	Grid 5 M2 39.1 dBV/m	Grid 6 M2 38.96 dBV/m
Grid 7 M2 38.87 dBV/m	Grid 8 M2 39.18 dBV/m	Grid 9 M2 39.05 dBV/m



0 dB = 91.04 V/m = 39.18 dBV/m

HAC-RF Emission System Check 2011

Communication System: UID 0, CW (0); Frequency: 2450 MHz; Duty Cycle: 1:1

Phantom section: RF Section

DASY5 Configuration:

- Probe: EF3DV3 - SN4028; ConvF(1, 1, 1) @ 2450 MHz; Calibrated: 9/22/2022
- Sensor-Surface: (Fix Surface)
- Electronics: DAE4 Sn1352; Calibrated: 11/18/2022
- Phantom: HAC Test Arch with AMCC; Type: SD HAC P01 BB
- Measurement SW: DASY52, Version 52.10 (4); SEMCAD X Version 14.6.14 (7495)

Dipole E-Field Measurement 2450MHz/2450 MHz/Hearing Aid Compatibility Test at 15mm distance (41x181x1): Interpolated grid: dx=0.5000 mm, dy=0.5000 mm

Device Reference Point: 0, 0, -6.3 mm

Reference Value = 86.68 V/m; Power Drift = 0.08 dB

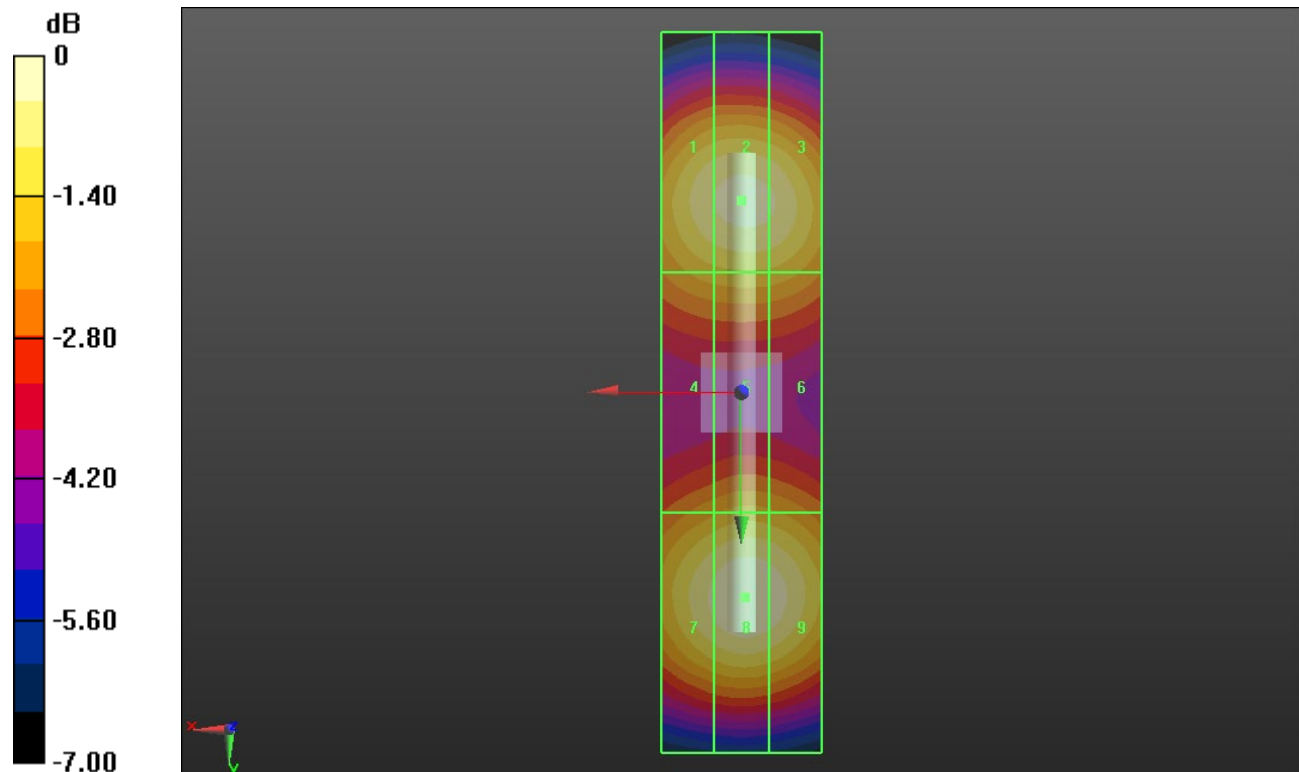
Applied MIF = 0.00 dB

RF audio interference level = 39.68 dBV/m

Emission category: **M2**

MIF scaled E-field

Grid 1 M2 39.23 dBV/m	Grid 2 M2 39.42 dBV/m	Grid 3 M2 39.29 dBV/m
Grid 4 M2 38.12 dBV/m	Grid 5 M2 38.23 dBV/m	Grid 6 M2 38.2 dBV/m
Grid 7 M2 39.32 dBV/m	Grid 8 M2 39.68 dBV/m	Grid 9 M2 39.52 dBV/m



0 dB = 96.36 V/m = 39.68 dBV/m

HAC-RF Emission System Check 2011

Communication System: UID 0, CW (0); Frequency: 5500 MHz; Duty Cycle: 1:1

Phantom section: RF Section

DASY5 Configuration:

- Probe: EF3DV3 - SN4028; ConvF(1, 1, 1) @ 5500 MHz; Calibrated: 9/22/2022
- Sensor-Surface: (Fix Surface)
- Electronics: DAE4 Sn1352; Calibrated: 11/18/2022
- Phantom: HAC Test Arch with AMCC; Type: SD HAC P01 BB
- Measurement SW: DASY52, Version 52.10 (4);SEMCAD X Version 14.6.14 (7495)

Dipole E-Field Measurement 5.5GHz/5.5GHz/Hearing Aid Compatibility Test at 15mm distance (41x181x1): Interpolated grid: dx=0.5000 mm, dy=0.5000 mm

Device Reference Point: 0, 0, -6.3 mm

Reference Value = 28.46 V/m; Power Drift = 0.10 dB

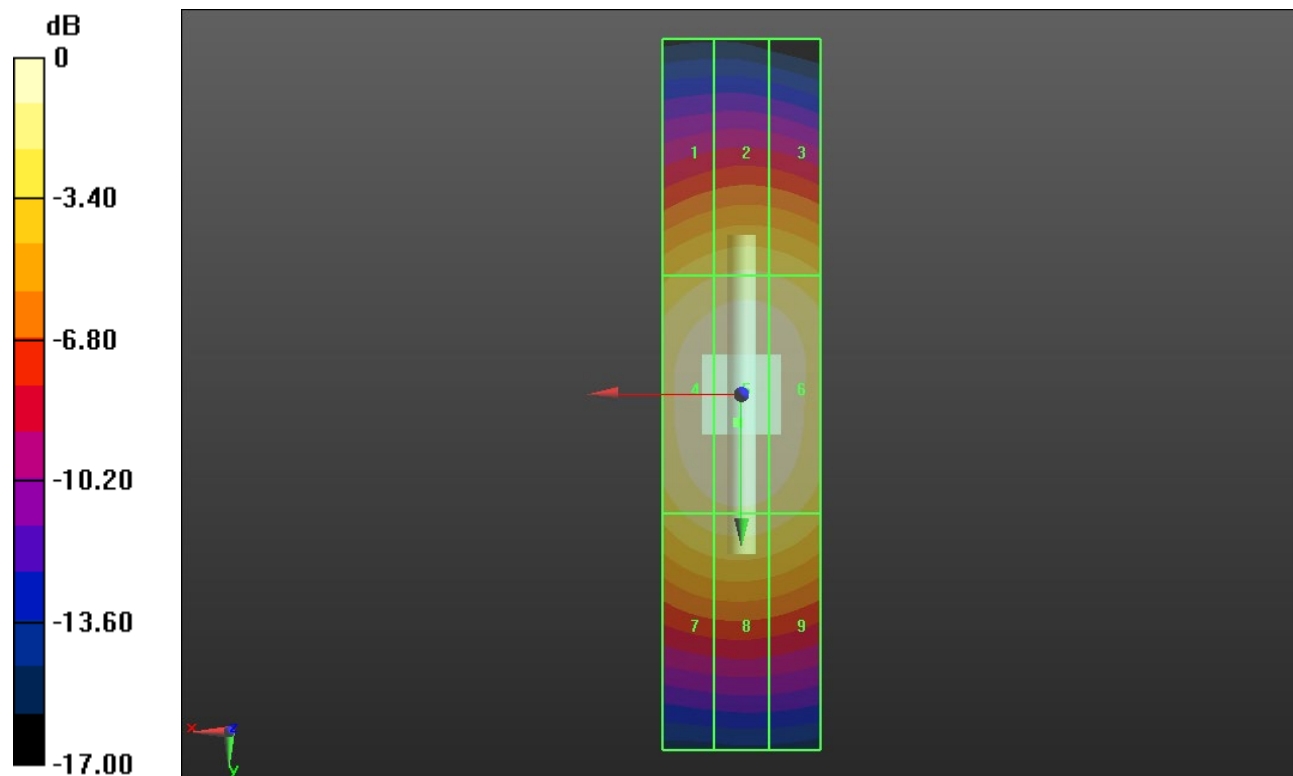
Applied MIF = 0.00 dB

RF audio interference level = 40.95 dBV/m

Emission category: **M1**

MIF scaled E-field

Grid 1 M2 38.66 dBV/m	Grid 2 M2 38.96 dBV/m	Grid 3 M2 38.83 dBV/m
Grid 4 M1 40.79 dBV/m	Grid 5 M1 40.95 dBV/m	Grid 6 M1 40.68 dBV/m
Grid 7 M2 39.44 dBV/m	Grid 8 M2 39.62 dBV/m	Grid 9 M2 39.37 dBV/m



0 dB = 111.6 V/m = 40.95 dBV/m