

TEST REPORT

Report Number: 14523744-E20V3

Applicant : APPLE, INC
1 APPLE PARK WAY
CUPERTINO, CA 95014, U.S.A.

Model : A3101

Brand : APPLE

FCC ID : BCG-E8436A

EUT Description : SMARTPHONE

Test Standard(s) : FCC 47 CFR Part 2, Part 22, Part 27, and Part 96.

Date Of Issue:
2023-08-15

Prepared by:
UL Verification Services Inc.
47173 Benicia Street
Fremont, CA 94538, U.S.A.
TEL: (510) 319-4000
FAX: (510) 661-0888

Revision History



Rev.	Issue Date	Revisions	Revised By
V1	2023-07-11	Initial Review	Mengistu Mekuria
V2	2023-08-07	Addressed TCB Feedback Section 3, 6, 7, 9	Andrew Le
V3	2023-08-15	Addressed TCB Feedback Section 10	Mengistu Mekuria

TABLE OF CONTENTS

1. ATTESTATION OF TEST RESULTS	6
2. SUMMARY OF TEST RESULTS	7
3. TEST METHODOLOGY	8
4. FACILITIES AND ACCREDITATION	8
5. DECISION RULES AND MEASUREMENT UNCERTAINTY	9
5.1. METROLOGICAL TRACEABILITY	9
5.2. DECISION RULES	9
5.3. MEASUREMENT UNCERTAINTY	9
5.4. SAMPLE CALCULATION	9
6. EQUIPMENT UNDER TEST	10
6.1. DESCRIPTION OF EUT	10
6.2. MAXIMUM OUTPUT POWER	10
6.3. SOFTWARE AND FIRMWARE	13
6.4. MAXIMUM ANTENNA GAIN	13
6.5. WORST-CASE CONFIGURATION AND MODE	14
6.6. DESCRIPTION OF TEST SETUP	15
7. TEST AND MEASUREMENT EQUIPMENT	17
8. RF OUTPUT POWER VERIFICATION	18
8.1. LTE BAND 5	18
8.2. LTE BAND 7	19
8.3. LTE BAND 41	20
8.4. LTE BAND 48	22
9. CONDUCTED TEST RESULTS	24
9.1. OCCUPIED BANDWIDTH	24
9.1.1. LTE BAND 5	27
9.1.2. LTE BAND 7	28
9.1.3. LTE BAND 41	29
9.1.4. LTE BAND 48	31
9.2. BAND EDGE AND EMISSION MASK	33
9.2.1. LTE BAND 5	34
9.2.2. LTE BAND 7	36

9.2.3. LTE BAND 41..... 39

9.2.5. LTE BAND 48..... 42

9.3 OUT OF BAND EMISSIONS 47

9.3.1. LTE BAND 5..... 48

9.3.2. LTE BAND 7..... 49

9.3.3. LTE BAND 41..... 50

9.3.4. LTE BAND 48..... 51

9.4 FREQUENCY STABILITY 53

9.4.1. LTE BAND 5..... 54

9.4.2. LTE BAND 7..... 55

9.4.3. LTE BAND 41..... 56

9.4.4. LTE BAND 48..... 57

9.5 PEAK-TO-AVERAGE POWER RATIO 58

9.5.1. LTE BAND 5..... 58

9.5.2. LTE BAND 7..... 59

9.5.3. LTE BAND 41..... 59

9.5.4. LTE BAND 48..... 60

10. RADIATED TEST RESULTS..... 61

10.1. FIELD STRENGTH OF SPURIOUS RADIATION, ANT 1 64

10.1.1. LTE BAND 5 64

10.1.2. LTE BAND 7 66

10.1.3. LTE BAND 41 68

10.2. FIELD STRENGTH OF SPURIOUS RADIATION, ANT2 69

10.2.1. LTE BAND 5 69

10.2.2. LTE BAND 7 71

10.2.3. LTE BAND 41 73

10.3. FIELD STRENGTH OF SPURIOUS RADIATION, ANT3 74

10.3.1. LTE BAND 5 74

10.3.2. LTE BAND 7 76

10.3.3. LTE BAND 41 78

10.4. FIELD STRENGTH OF SPURIOUS RADIATION, ANT4 79

10.4.1. LTE BAND 7 79

10.4.2. LTE BAND 41 81

10.4.3. LTE BAND 48 82

10.5. FIELD STRENGTH OF SPURIOUS RADIATION, ANT7 83

10.5.1. LTE BAND 48	84
10.6. FIELD STRENGTH OF SPURIOUS RADIATION, ANT8	85
LTE BAND 48.....	86
10.7. FIELD STRENGTH OF SPURIOUS RADIATION, ANT9	87
10.7.1. LTE BAND 48	87
11. SETUP PHOTOS.....	89

1. ATTESTATION OF TEST RESULTS

Applicant Name and Address	APPLE, INC 1 APPLE PARK WAY CUPERTINO, CA 95014, U.S.A.	
Model	A3101	
Brand	APPLE	
FCC ID	BCG-E8436A	
EUT Description	SMARTPHONE	
Serial Number	PNYQ97FW23, HFYYJNPY1W, XV07R41DQX (CONDUCTED) AND MKDCGFM9N5, YRVHP7P03H (RADIATED)	
Sample Receipt Date	2022-11-01	
Date Tested	2022-11-01 TO 2023-06-26	
Applicable Standards	FCC CFR 47 Part 2, Part 22, Part 27, and Part 96	
Test Results	COMPLIES	
<p>UL Verification Services Inc. tested the above equipment in accordance with the requirements set forth in the above standards. The test results show that the equipment tested is capable of demonstrating compliance with the requirements as documented in this report.</p> <p>The results documented in this report apply only to the tested sample, under the conditions and modes of operation as described herein. It is the manufacturer's responsibility to assure that additional production units of this model are manufactured with identical electrical and mechanical components. All samples tested were in good operating condition throughout the entire test program. Measurement Uncertainties are published for informational purposes only and were not taken into account unless noted otherwise.</p> <p>This document may not be altered or revised in any way unless done so by UL Verification Services Inc. and all revisions are duly noted in the revisions section. Any alteration of this document not carried out by UL Verification Services Inc. will constitute fraud and shall nullify the document. This report must not be used by the client to claim product certification, approval, or endorsement by A2LA, NIST, any agency of the Federal Government, or any agency of the U.S. government.</p>		
Approved & Released By:	Reviewed By:	Prepared By:
		
Mengistu Mekuria Staff Engineer UL Verification Services Inc.	Tewodros Woldemichael Laboratory Engineer UL Verification Services Inc..	Matthew Wu Laboratory Engineer UL Verification Services Inc.

2. SUMMARY OF TEST RESULTS

This report contains data provided by the customer which can impact the validity of results. UL Verification Services Inc. is only responsible for the validity of results after the integration of the data provided by the customer.”

Below is a list of the data provided by the customer:

1. Antenna gain (see section 6.4)

Requirement Description	Requirement Clause Number (FCC)	Result	Remarks
RF Conducted Output Power	2.1046	Complies	
Effective Radiated Power	22.913 (a)(5)	Complies	
Equivalent Isotropic Radiated power	27.50 (h) (2) 96.41 (b)	Complies	
Occupied Bandwidth	2.1049	Complies	
Band Edge and Emission Mask	2.1051, 22.917 (a), 27.53 (m)(4) &(m)(6), 96.41(e)	Complies	
Out of Band Emissions	2.1051, 22.917 (a), 27.53 (m)(4) &(m)(6), 96.41(e)	Complies	
Frequency Stability	2.1055, 22.355, 24.235,27.54	Complies	
Peak-to-Average Ratio	27.50 (d) (5), 96.41 (g)	Complies	
Field Strength of Spurious Radiation	2.1053, 22.917 (a), 27.53 (m)(4) &(m)(6), 96.41(e)	Complies	

3. TEST METHODOLOGY

The tests documented in this report were performed in accordance with the following:

- ANSI C63.26:2015
- FCC 47 CFR Part 2, Part 22, Part 27 and Part 96
- [FCC KDB 971168 D01 v03r01](#): Power Meas License Digital Systems
- [FCC KDB 971168 D02 v02r02](#): Misc Rev Approv License Devices
- [FCC KDB 412172 D01 v01r01](#): Determining ERP and EIRP

4. FACILITIES AND ACCREDITATION

UL LLC is accredited by A2LA, certification #0751.05, for all testing performed within the scope of this report. Testing was performed at the locations noted below.

	Address	ISED CABID	ISED Company Number	FCC Registration
<input checked="" type="checkbox"/>	Building 1: 47173 Benicia Street, Fremont, CA 94538, USA	US0104	2324A	550739
<input checked="" type="checkbox"/>	Building 2: 47266 Benicia Street, Fremont, CA 94538, USA			
<input type="checkbox"/>	Building 3: 843 Auburn Court, Fremont, CA 94538, USA			
<input checked="" type="checkbox"/>	Building 4: 47658 Kato Rd, Fremont, CA 94538, USA			
<input checked="" type="checkbox"/>	Building 5: 47670 Kato Rd, Fremont, CA 94538, USA			

5. DECISION RULES AND MEASUREMENT UNCERTAINTY

5.1. METROLOGICAL TRACEABILITY

All test and measuring equipment utilized to perform the tests documented in this report are calibrated on a regular basis, with a maximum time between calibrations of one year or the manufacturers' recommendation, whichever is less, and where applicable is traceable to recognized national standards.

5.2. DECISION RULES

The Decision Rule is based on Simple Acceptance in accordance with ISO Guide 98-4:2012 Clause 8.2. (Measurement uncertainty is not taken into account when stating conformity with a specified requirement.)

5.3. MEASUREMENT UNCERTAINTY

Where relevant, the following measurement uncertainty levels have been estimated for tests performed on the apparatus:

PARAMETER	U _{Lab}
Conducted Antenna Port Emission Measurement	1.940
Power Spectral Density	2.466
Time Domain Measurements Using SA	3.39
RF Power Measurement Direct Method Using Power Meter	0.450 Peak; 1.300 Ave.
Radio Frequency (Spectrum Analyzer)	141.16 Hz
Occupied Bandwidth	1.22%
Worst Case Conducted Disturbance, 9KHz to 0.15 MHz	3.78 db
Worst Case Conducted Disturbance, 0.15 to 30 MHz	3.40 db
Worst Case Radiated Disturbance, 9KHz to 30 MHz	2.87 db
Worst Case Radiated Disturbance, 30 to 1000 MHz	6.01 db
Worst Case Radiated Disturbance, 1000 to 18000 MHz	4.73 db
Worst Case Radiated Disturbance, 18000 to 26000 MHz	4.51 db
Worst Case Radiated Disturbance, 26000 to 40000 MHz	5.29 db

Uncertainty figures are valid to a confidence level of 95%.

5.4. SAMPLE CALCULATION

RADIATED EMISSIONS

Where relevant, the following sample calculation is provided:

$$\text{Field Strength (dBuV/m)} = \text{Measured Voltage (dBuV)} + \text{Antenna Factor (dB/m)} + \text{Cable Loss (dB)} - \text{Preamp Gain (dB)}$$

$$36.5 \text{ dBuV} + 18.7 \text{ dB/m} + 0.6 \text{ dB} - 26.9 \text{ dB} = 28.9 \text{ dBuV/m}$$

6. EQUIPMENT UNDER TEST

6.1. DESCRIPTION OF EUT

The Apple iPhone is a smartphone with cellular GSM, GPRS, EGPRS, UMTS, LTE, 5GNR1, IEEE 802.11a/b/g/n/ac/ax, Bluetooth (BT), Ultra-Wideband (UWB), GPS, NFC, 802.15ab-NB and MSS technologies. The rechargeable battery is not user accessible.

6.2. MAXIMUM OUTPUT POWER

ERP/EIRP TEST PROCEDURE

ANSI C63.26:2015
KDB 971168 D01 Section 5.6

$ERP/EIRP = P_{Meas} + GT - LC$

where: ERP/EIRP = effective or equivalent radiated power, respectively (expressed in the same units as P_{Meas} , typically dBW or dBm);

P_{Meas} = measured transmitter output power or PSD, in dBm or dBW;

GT = gain of the transmitting antenna, in dBd (ERP) or dBi (EIRP);

LC = signal attenuation in the connecting cable between the transmitter and antenna, in dB.

For devices utilizing multiple antennas, KDB 662911 provides guidance for determining the effective array transmit antenna gain term to be used in the above equation.

EUT includes different power levels for head use configuration and body use configuration and the below tables contain the highest of all configurations average conducted and ERP/EIRP output powers as follows:

OUTPUT POWER FOR LTE BAND 5

Part 22								
EIRP Limit (W)		7.00						
Antenna Gain (dBi) (Ant1)		-5.60						
Bandwidth (MHz)	Modulation	Low Frequency (MHz)	Upper Frequency (MHz)	Conducted Average (dBm)	ERP Average (dBm)	ERP Average (W)	99% BW (kHz)	Emission Designator
3+5	QPSK	825.5	846.5	25.70	17.95	0.062	7480	7M48G7W
	16QAM			25.70	17.95	0.062	7477	7M48D7W
5+3	QPSK	826.5	847.5	25.70	17.95	0.062	7495	7M49G7W
	16QAM			25.56	17.81	0.060	7476	7M48D7W
5+10	QPSK	826.5	844.0	25.70	17.95	0.062	13845	13M8G7W
	16QAM			24.70	16.95	0.050	13854	13M9D7W
10+5	QPSK	829.0	846.5	25.70	17.95	0.062	13837	13M8G7W
	16QAM			25.39	17.64	0.058	13893	13M9D7W
10+10	QPSK	829.0	844.0	25.70	17.95	0.062	18754	18M8G7W
	16QAM			24.70	16.95	0.050	18778	18M8D7W

OUTPUT POWER FOR LTE BAND 7

Part 27								
EIRP Limit (W)		2.00						
Antenna Gain (dBi) (Ant2)		-0.90						
Bandwidth (MHz)	Modulation	Low Frequency (MHz)	Upper Frequency (MHz)	Conducted Average (dBm)	EIRP Average (dBm)	EIRP Average (W)	99% BW (kHz)	Emission Designator
10+20	QPSK	2505.5	2560.0	23.70	22.80	0.191	28136	28M1G7W
	16QAM			22.70	21.80	0.151	28082	28M1D7W
20+10	QPSK	2510.0	2564.5	23.70	22.80	0.191	28107	28M1G7W
	16QAM			22.70	21.80	0.151	28061	28M1D7W
15+15	QPSK	2507.5	2562.5	23.70	22.80	0.191	28674	28M7G7W
	16QAM			22.70	21.80	0.151	28743	28M7D7W
15+20	QPSK	2507.8	2560.0	23.70	22.80	0.191	32910	32M9G7W
	16QAM			22.70	21.80	0.151	32889	32M9D7W
20+15	QPSK	2510.0	2562.2	23.60	22.70	0.186	32912	32M9G7W
	16QAM			22.70	21.80	0.151	32909	32M9D7W
20+20	QPSK	2510.0	2560.0	23.60	22.70	0.186	37710	37M7G7W
	16QAM			22.70	21.80	0.151	37726	37M7D7W

OUTPUT POWER FOR LTE BAND 41

Part 27								
EIRP Limit (W)		2.00						
Antenna Gain (dBi) (Ant2)		-0.70						
Bandwidth (MHz)	Modulation	Low Frequency (MHz)	Upper Frequency (MHz)	Conducted Average (dBm)	EIRP Average (dBm)	EIRP Average (W)	99% BW (kHz)	Emission Designator
5+20	QPSK	2499.3	2680.0	28.70	28.00	0.631	23341	23M3G7W
	16QAM			27.20	26.50	0.447	23315	23M3D7W
20+5	QPSK	2506.0	2686.7	28.70	28.00	0.631	23348	23M3G7W
	16QAM			27.20	26.50	0.447	23306	23M3D7W
10+20	QPSK	2501.5	2680.0	28.70	28.00	0.631	28105	28M1G7W
	16QAM			27.20	26.50	0.447	28034	28M0D7W
20+10	QPSK	2506.0	2684.5	28.70	28.00	0.631	28091	28M1G7W
	16QAM			27.20	26.50	0.447	28034	28M0D7W
15+15	QPSK	2503.5	2682.5	28.70	28.00	0.631	28658	28M7G7W
	16QAM			27.20	26.50	0.447	28620	28M6D7W
15+20	QPSK	2503.8	2680.0	28.70	28.00	0.631	32875	32M9G7W
	16QAM			27.20	26.50	0.447	32909	32M9D7W
20+15	QPSK	2506.0	2682.2	28.37	27.67	0.585	32859	32M9G7W
	16QAM			27.20	26.50	0.447	32964	33M0D7W
20+20	QPSK	2506.0	2680.0	28.70	28.00	0.631	37785	37M8G7W
	16QAM			27.20	26.50	0.447	37767	37M8D7W

OUTPUT POWER FOR LTE BAND 48

Part 96								
EIRP Limit (W)/ 10MHz		0.20						
Antenna Gain (dBi) (Ant9)		-3.40						
Bandwidth (MHz)	Modulation	Low Frequency (MHz)	Upper Frequency (MHz)	Conducted Average (dBm)	EIRP Average (dBm)	EIRP Average (W)	99% BW (kHz)	Emission Designator
5+20	QPSK	3553.3	3690.0	24.00	20.60	0.115	23336	23M3G7W
	16QAM			24.00	20.60	0.115	23291	23M3D7W
20+5	QPSK	3560.0	3696.7	24.00	20.60	0.115	23416	23M4G7W
	16QAM			24.00	20.60	0.115	23232	23M2D7W
10+20	QPSK	3555.5	3690.0	24.50	21.10	0.129	28151	28M2G7W
	16QAM			24.50	21.10	0.129	28051	28M1D7W
20+10	QPSK	3560.0	3694.5	24.50	21.10	0.129	28170	28M2G7W
	16QAM			24.50	21.10	0.129	28064	28M1D7W
15+20	QPSK	3557.8	3690.0	25.00	21.60	0.145	32982	33M0G7W
	16QAM			24.98	21.58	0.144	32951	33M0D7W
20+15	QPSK	3560.0	3692.2	25.00	21.60	0.145	32985	33M0G7W
	16QAM			24.98	21.58	0.144	32945	32M9D7W
20+20	QPSK	3560.0	3690.0	25.00	21.60	0.145	37740	37M7G7W
	16QAM			24.91	21.51	0.142	37837	37M8D7W

6.3. SOFTWARE AND FIRMWARE

The EUT firmware installed during testing was version 0.13.02.

6.4. MAXIMUM ANTENNA GAIN

The antenna(s) gain(s) and type, as provided by the manufacturer' are as follows:

LTE and 5G NR Bands	Frequency Range (MHz)	ANT 1 Antenna Gain (dBi)	ANT 2 Antenna Gain (dBi)	ANT 3 Antenna Gain (dBi)	ANT 4 Antenna Gain (dBi)	ANT 7 Antenna Gain (dBi)	ANT 8 Antenna Gain (dBi)	ANT 9 Antenna Gain (dBi)
LTE Band 5	824 – 849	-5.6	-5.4	-7.8				
LTE Band 7	2500 – 2570	-4.3	-0.9	-3.3	-3.0			
LTE Band 41	2496 – 2690	-5.2	-0.7	-3.8	-3.5			
LTE Band 48 (Mid)	3600 – 3650				-2.7	-3.6	-3.4	-3.4

6.5. WORST-CASE CONFIGURATION AND MODE

The EUT supports LTE dual carrier Bands of: Band 5, Band 7, Band 41, and Band 48.

The worst-case scenario for all measurements is based on the average conducted output power measurement investigation results. Output power measurements were measured on QPSK, 16QAM and 64QAM modulations. It was found that QPSK and 16QAM results were worst case. All testing was performed using QPSK and 16QAM modulations to represent the worst case. For testing purposes emissions on sections 9 were measured while QPSK was set at or above target power for all bands. Conducted tests were performed on the worst-case antenna port because it has the highest conducted power. The worst-case antenna port is shown in the table below.

LTE Bands	Worst case Antenna Port for Conducted Power
LTE BAND 5, 7, and 41	Ant 1
LTE BAND 48	Ant 7

For Band Edge and Emission Mask: The highest BW combo and sample lower BW combinations were tested. Combination pairs of the same BW are considered generally equivalent. The RB combinations were selected such that the signal is active closest to the band limit, as this is the worst case.

For Out of Band Emissions: The highest combination and a sample lower combination was tested. The highest power RB combination was selected as worst case.

The EUT was investigated in three orthogonal orientations X/Y/Z on all ANT 1, ANT2, ANT3, ANT4, ANT7, ANT8 and ANT 9 antennas to determine the worst-case orientation. The following table exhibit the worst-case orientation for different frequency bands. The full tests of the EUT have made upon the orientations that shown in the table below.

Radiated spurious emissions were investigated from 9kHz to 30MHz, 30MHz-1GHz and above 18GHz. There were no emissions found with less than 20dB of margin from 9kHz to 30MHz, 30MHz-1GHz and above 18GHz.

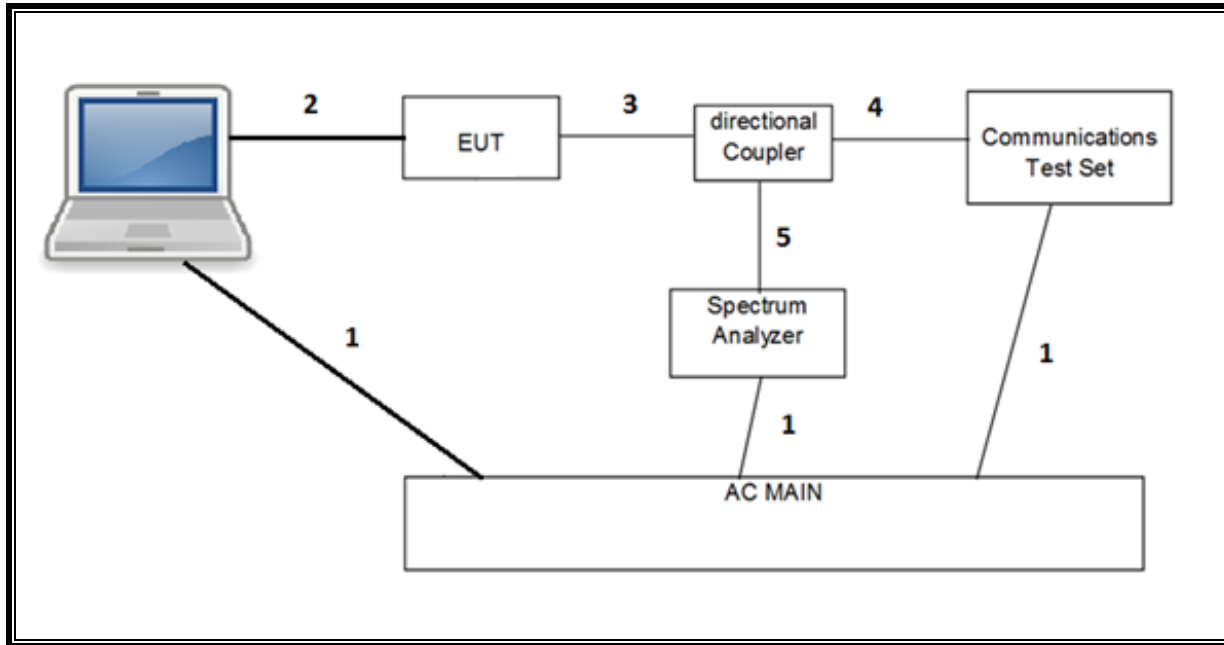
Frequency Bands	ANT1	ANT2	ANT3	ANT4	ANT7	ANT8	ANT9
663 – 849 MHz	Z	Z	X	N/A	N/A	N/A	N/A
2300 – 2700 MHz	X	X	Y	Y	N/A	N/A	N/A
3300 – 3980 MHz	N/A	N/A	N/A	Y	Y	X	X

For interband transmission of multiple channels in Ant 1 and Ant 2 in Cellular bands, tests were conducted for various configurations having the highest power, least separation in frequencies and widest operation bandwidths. No noticeable new emission was found.

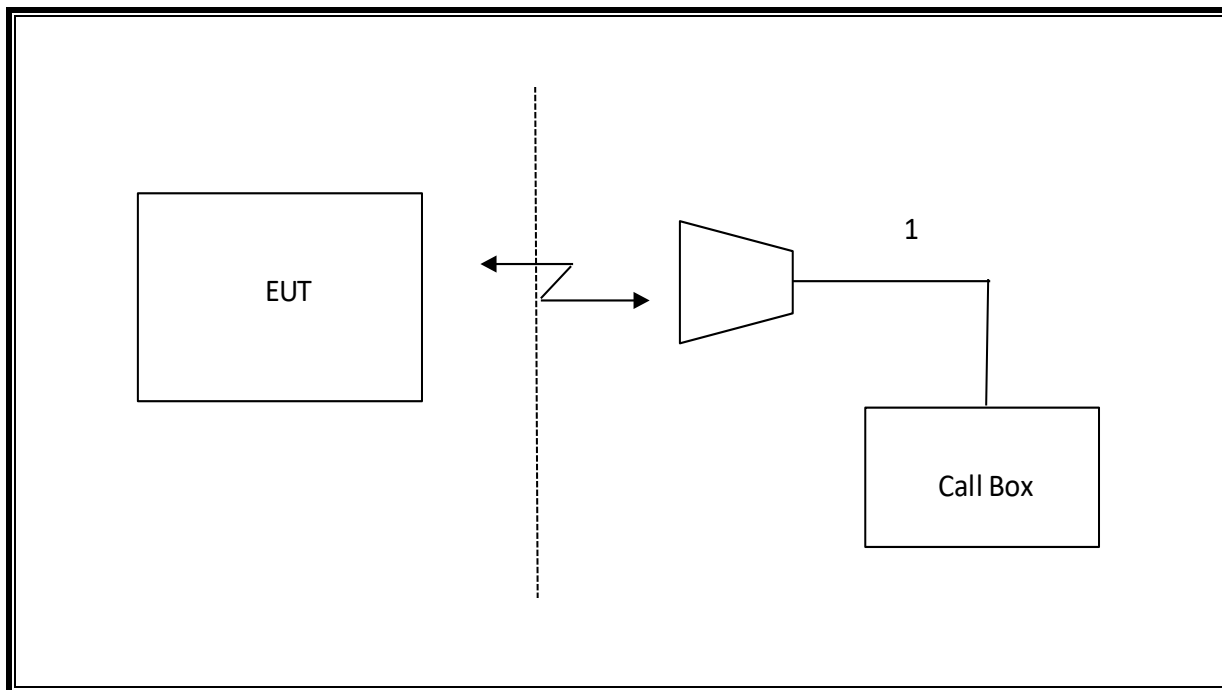
6.6. DESCRIPTION OF TEST SETUP

SUPPORT TEST EQUIPMENT						
Description	Manufacturer	Model	Serial Number	FCC ID/ DoC		
Laptop	Apple	MacBook Pro	HRP082673	BCGA1708		
AC/DC adapter	Apple	A1718	C4H64450HH3GN8RA6	--		
I/O CABLES (RF CONDUCTED TEST)						
Cable No.	Port	# of Identical Ports	Connector Type	Cable Type	Cable Length (m)	Remarks
1	AC	3	US 115V	Un-shielded	2.0	N/A
2	USB	1	DC	Un-shielded	1.0	N/A
3	RF In/Out	1	EUT	Un-shielded	0.6	N/A
4	RF In/Out	1	Communication Test Set	Un-shielded	1.2	N/A
5	RF In/Out	1	Barrel	N/A	N/A	N/A
I/O CABLES (RF RADIATED TEST)						
Cable No.	Port	# of Identical Ports	Connector Type	Cable Type	Cable Length (m)	Remarks
1	RF In/Out	1	Antenna	Un-shielded	5.0	N/A

CONDUCTED SETUP



RADIATED SETUP



7. TEST AND MEASUREMENT EQUIPMENT

The following test and measurement equipment was utilized for the tests documented in this report:

TEST EQUIPMENT LIST				
Description	Manufacturer	Model	Asset	Cal Due
*Antenna, Horn 1-18GHz	ETS Lindgren	3117	79834	06/08/2023
Antenna, Broadband Hybrid, 30MHz to 2000MHz	Sunol Sciences	JB3	85151	04/30/2024
Spectrum Analyzer, PXA, 3Hz to 44GHz	Keysight	N9030A	85313	02/29/2024
Spectrum Analyzer, PXA	Keysight	N9030B	222074	07/16/2023
Spectrum Analyzer, PXA, 3Hz to 44GHz	Keysight	N9030A	85201	02/29/2024
Spectrum Analyzer, PXA	Keysight	N9030B	85214	07/18/2023
Spectrum Analyzer, PXA	Keysight	N9030B	222073	07/22/2023
PXA Signal Analyzer	Keysight	N9030B	222073	07/22/2023
EMI TEST RECEIVER	Rohde & Schwarz	ESW44	230548	02/29/2024
EMI TEST RECEIVER	Rohde & Schwarz	ESW44	201498	02/29/2024
Directional Coupler	KRYTAR	152610	198816	09/23/2023
Directional Coupler	KRYTAR	152610	198817	09/23/2023
Directional Coupler	KRYTAR	152610	135712	09/23/2023
Power Meter, P-series single channel	Keysight	N1912A	90630	01/24/2024
Power Meter, P-series single channel	Keysight	N1912A	90719	01/31/2024
Power Meter, P-series single channel	Agilent	N1911A	82174	01/31/2024
Power Sensor, P – series, 50MHz to 18GHz, Wideband	Keysight	N1921A	90389	01/31/2024
Filter, BRF 2495 – 2690 MHz	Micro-Tronics	155050	155055	12/28/2023
Filter, BRF 3.4 – 3.8GHz	Micro-Tronics	208398	208398	08/19/2023
Wideband Communication Test Set, Call Box	Rohde & Schwarz	CMW500	222792	02/29/2024
Wideband Communication Test Set, Call Box	Rohde & Schwarz	CMW500	230298	02/29/2024
Wideband Communication Test Set, Call Box	Rohde & Schwarz	CMW500	230295	02/29/2024
Wideband Communication Test Set, Call Box	Rohde & Schwarz	CMW500	22796	02/29/2024
Wideband Communication Test Set, Call Box	Rohde & Schwarz	CMW500	230297	02/29/2024
*Chamber, Environmental	Cincinnati Sub Zero	ZPHS-8-3.5-SCT/WC	82472	11/16/2023
*Amplifier, 218GHz to 26.5GHz	Ampical	AMP18G26.5-60	215705	02/26/2023
Amplifier, 26.5GHz to 40GHz	Ampical	AMP26G40-65	172346	02/29/2024
Antenna, Horn 18 to 26.5GHz	ARA	MWH-1826/B	172362	03/31/2024
Antenna, Horn 26.5GHz to 40GHz	ARA	MWH-2640/B	172365	03/31/2024
*Antenna, Active Loop 100KHz to 30MHz	ELECTRO-METRICS	EM-6872	219911	05/10/2023
*Antenna, Active Loop 30Hz to 1MHz	ELECTRO-METRICS	EM-6871	219909	05/10/2023
10dB Fixed Attenuator	Pasternack Enterprises	PE7087-10	236360	Verified/Characterized before use
10dB Fixed Attenuator	Pasternack Enterprises	PE7087-10	236285	Verified/Characterized before use
10dB Fixed Attenuator	Pasternack Enterprises	PE7087-10	236355	Verified/Characterized before use
UL AUTOMATION SOFTWARE				
CLT Software	UL	UL RF	Ver 3.4, May 20, 2022	
Power Measurement Software	UL	UL RF	Ver 3.1.4, April 29, 2022	
Radiated test software	UL	UL RF	Ver 9.5, Jan 21, 2022	

NOTES:

- * Testing is completed before equipment expiration date.
- ** Equipment listed above that has a calibration due date during the testing period, the testing is completed before equipment expiration date.

8. RF OUTPUT POWER VERIFICATION

RULE PART(S)

FCC: §2.1046, §22.913, §27.50

RESULT

EUT includes different power levels for head use configuration and body use configuration and the below tables contain the highest of all configurations average conducted output powers as follows:

8.1. LTE BAND 5

Test Engineer ID:	25602	Test Date:	11/18/2022
--------------------------	-------	-------------------	------------

OUTPUT POWER FOR LTE BAND 5 (3.0MHz + 5.0MHz)

Bandwidth	PCC Frequency (MHz)	SCC1 Frequency (MHz)	PCC RB Size	PCC RB Offset	SCC1 RB Size	SCC1 RB Offset	Conducted Average (dBm)															
							ANT 1				ANT 2				ANT 3							
							QPSK	16QAM	64QAM	256QAM	QPSK	16QAM	64QAM	256QAM	QPSK	16QAM	64QAM	256QAM				
3MHz / 5MHz	825.5	829.4	1	14	1	0	25.61	25.32	24.88	23.81	24.64	24.60	24.60	23.66	25.26	24.67	23.19	23.12				
			15	0	25	0	25.70	25.40	24.86	23.84	24.68	24.70	23.94	23.78	25.15	24.55	23.17	23.15				
	834.0	837.9	1	14	1	0	25.58	25.61	25.12	24.21	24.63	24.53	24.30	23.33	25.13	24.41	24.43	23.52				
			15	0	25	0	25.65	25.70	25.20	24.20	24.70	24.30	24.12	23.16	25.10	24.45	24.51	23.51				
	842.5	846.5	1	14	1	0	25.59	24.94	24.26	23.30	24.63	24.68	23.75	22.76	24.54	24.51	23.57	22.61				
			15	0	25	0	25.58	24.22	24.22	23.23	24.70	24.11	23.86	22.85	24.53	23.88	23.53	22.54				

OUTPUT POWER FOR LTE BAND 5 (5.0MHz + 3.0MHz)

Bandwidth	PCC Frequency (MHz)	SCC1 Frequency (MHz)	PCC RB Size	PCC RB Offset	SCC1 RB Size	SCC1 RB Offset	Conducted Average (dBm)															
							ANT 1				ANT 2				ANT 3							
							QPSK	16QAM	64QAM	256QAM	QPSK	16QAM	64QAM	256QAM	QPSK	16QAM	64QAM	256QAM				
5MHz / 3MHz	826.5	830.4	1	24	1	0	25.64	25.56	25.13	24.11	24.65	23.86	23.07	23.74	25.21	25.19	24.04	23.42				
			25	0	15	0	25.70	25.39	25.03	24.02	24.70	23.91	23.12	23.88	25.13	25.02	24.10	23.33				
	835.0	838.9	1	24	1	0	25.62	25.52	25.04	24.08	24.66	24.21	24.05	23.00	24.56	24.45	23.35	22.38				
			25	0	15	0	25.70	25.34	25.01	24.02	24.70	24.11	23.91	22.90	24.64	24.27	23.32	22.32				
	843.6	847.5	1	24	1	0	25.68	25.22	24.17	23.29	24.59	24.20	23.95	22.91	24.48	24.53	23.48	22.60				
			25	0	15	0	25.70	25.18	24.20	23.19	24.70	24.19	23.91	22.92	24.50	24.49	23.51	22.50				

OUTPUT POWER FOR LTE BAND 5 (5.0MHz + 10.0MHz)

Bandwidth	PCC Frequency (MHz)	SCC1 Frequency (MHz)	PCC RB Size	PCC RB Offset	SCC1 RB Size	SCC1 RB Offset	Conducted Average (dBm)															
							ANT 1				ANT 2				ANT 3							
							QPSK	16QAM	64QAM	256QAM	QPSK	16QAM	64QAM	256QAM	QPSK	16QAM	64QAM	256QAM				
5MHz / 10MHz	826.5	833.7	1	24	1	0	25.68	24.62	23.64	20.49	24.70	23.65	22.70	19.70	25.34	24.25	23.38	20.40				
			25	0	50	0	23.70	21.55	22.70	20.70	22.70	21.70	21.69	19.70	23.38	21.27	22.40	19.63				
	831.6	838.8	1	24	1	0	25.68	24.70	23.62	20.34	24.64	23.70	22.66	19.69	25.39	24.14	23.23	19.14				
			25	0	50	0	23.69	21.53	22.70	20.69	22.65	21.66	21.70	19.70	23.40	21.23	22.06	19.61				
	836.8	844.0	1	24	1	0	25.70	24.66	23.70	20.45	24.59	23.63	22.63	19.62	25.40	24.40	23.40	19.38				
			25	0	50	0	23.68	22.70	22.67	20.65	22.63	21.64	21.65	19.68	23.36	22.40	22.31	19.58				

OUTPUT POWER FOR LTE BAND 5 (10.0MHz + 5.0MHz)

Bandwidth	PCC Frequency (MHz)	SCC1 Frequency (MHz)	PCC RB Size	PCC RB Offset	SCC1 RB Size	SCC1 RB Offset	Conducted Average (dBm)															
							ANT 1				ANT 2				ANT 3							
							QPSK	16QAM	64QAM	256QAM	QPSK	16QAM	64QAM	256QAM	QPSK	16QAM	64QAM	256QAM				
10MHz / 5MHz	829.0	836.2	1	49	1	0	25.64	24.67	23.67	20.65	24.70	23.70	22.70	19.70	25.15	24.67	23.70	20.71				
			50	0	25	0	23.70	22.70	22.70	20.70	22.70	21.70	21.70	19.70	23.74	22.79	22.77	20.68				
	834.3	841.5	1	49	1	0	25.70	24.69	23.69	20.61	24.70	23.69	22.59	19.63	25.26	24.52	23.56	20.66				
			50	0	25	0	23.69	22.64	22.67	20.67	22.69	21.66	21.68	19.67	23.67	22.69	22.73	20.72				
	839.3	846.5	1	49	1	0	25.68	24.70	23.70	20.60	24.68	23.69	22.63	19.68	25.32	24.69	23.52	20.77				
			50	0	25	0	23.67	22.64	22.67	20.65	22.65	21.62	21.66	19.68	23.77	22.79	22.79	20.63				

OUTPUT POWER FOR LTE BAND 5 (10.0MHz + 10.0MHz)

Bandwidth	PCC Frequency (MHz)	SCC1 Frequency (MHz)	PCC RB Size	PCC RB Offset	SCC1 RB Size	SCC1 RB Offset	Conducted Average (dBm)															
							ANT 1				ANT 2				ANT 3							
							QPSK	16QAM	64QAM	256QAM	QPSK	16QAM	64QAM	256QAM	QPSK	16QAM	64QAM	256QAM				
10MHz / 10MHz	829.0	838.9	1	49	1	0	25.70	24.62	23.70	20.64	24.70	23.70	22.70	19.70	25.40	24.21	23.39	20.23				
			50	0	50	0	23.68	22.67	22.68	20.70	22.70	21.70	21.70	19.70	23.30	22.00	22.40	20.33				
	831.5	841.4	1	49	1	0	25.69	24.70	23.61	20.70	24.64	23.68	22.60	19.64	25.35	24.40	23.40	20.24				
			50	0	50	0	23.70	22.70	22.70	20.77	22.70	21.70	21.68	19.70	23.40	22.40	22.40	20.41				
	834.1	844.0	1	49	1	0	25.66	24.62	23.64	20.60	24.64	23.69	22.63	19.65	25.26	24.34	23.36	20.18				
			50	0	50	0	23.69	22.67	22.67	20.67	22.68	21.68	21.66	19.68	23.33	22.38	22.38	20.25				

8.2. LTE BAND 7

Test Engineer ID:	25602	Test Date:	11/18/2022
-------------------	-------	------------	------------

OUTPUT POWER FOR LTE BAND 7 (10.0MHz + 20.0MHz)

Bandwidth	PCC Frequency (MHz)	SCC1 Frequency (MHz)	PCC RB Size	PCC RB Offset	SCC1 RB Size	SCC1 RB Offset	Conducted Average (dBm)															
							ANT 1				ANT 2				ANT 3				ANT 4			
							QPSK	16QAM	64QAM	256QAM	QPSK	16QAM	64QAM	256QAM	QPSK	16QAM	64QAM	256QAM	QPSK	16QAM	64QAM	256QAM
10MHz / 20MHz	2505.5	2519.9	1	49	1	0	25.70	24.70	23.69	20.67	23.65	22.65	21.68	18.57	25.00	24.00	23.00	20.00	22.68	21.70	19.99	17.68
			50	0	100	0	23.70	22.70	22.70	20.70	21.65	20.64	20.64	18.61	23.00	22.00	22.00	20.00	20.70	19.70	19.70	17.70
	2525.6	2540.0	1	49	1	0	25.64	24.69	23.68	20.65	23.70	22.70	21.70	18.62	24.83	23.94	22.77	19.81	22.70	21.65	19.70	17.62
			50	0	100	0	23.65	22.68	22.67	20.68	21.68	20.68	20.70	18.68	22.88	21.89	21.92	19.91	20.68	19.66	19.66	17.66
	2545.6	2560.0	1	49	1	0	25.60	24.64	23.60	20.70	23.69	22.66	20.74	18.64	24.72	23.83	22.83	19.76	22.57	21.55	19.57	17.55
			50	0	100	0	23.62	22.66	22.63	20.63	21.70	20.70	20.70	18.70	22.84	21.83	21.86	19.86	20.61	19.61	19.61	17.61

OUTPUT POWER FOR LTE BAND 7 (20.0MHz + 10.0MHz)

Bandwidth	PCC Frequency (MHz)	SCC1 Frequency (MHz)	PCC RB Size	PCC RB Offset	SCC1 RB Size	SCC1 RB Offset	Conducted Average (dBm)															
							ANT 1				ANT 2				ANT 3				ANT 4			
							QPSK	16QAM	64QAM	256QAM	QPSK	16QAM	64QAM	256QAM	QPSK	16QAM	64QAM	256QAM	QPSK	16QAM	64QAM	256QAM
20MHz / 10MHz	2510.0	2524.4	1	99	1	0	25.70	24.70	23.70	20.66	23.66	22.66	21.54	18.48	25.00	24.00	23.00	19.84	22.70	21.70	19.68	17.62
			100	0	50	0	23.70	22.70	22.70	20.68	21.68	20.68	20.68	18.67	23.00	22.00	22.00	20.00	20.70	19.70	19.70	17.70
	2530.1	2544.5	1	99	1	0	23.70	24.63	23.68	20.65	23.70	22.65	21.70	18.55	24.87	23.87	22.81	19.65	22.61	21.59	20.70	17.56
			100	0	50	0	23.66	22.66	22.66	20.66	21.68	20.69	20.68	18.70	22.88	21.88	21.88	19.85	20.64	19.67	19.66	17.67
	2550.1	2564.5	1	99	1	0	25.67	24.68	23.16	20.70	23.67	22.70	20.75	18.60	24.79	23.86	22.56	19.62	22.52	21.59	19.82	17.53
			100	0	50	0	23.64	22.65	22.63	20.64	21.70	20.70	20.70	18.70	22.80	21.81	21.81	19.81	20.58	19.58	19.58	17.60

OUTPUT POWER FOR LTE BAND 7 (15.0MHz + 15.0MHz)

Bandwidth	PCC Frequency (MHz)	SCC1 Frequency (MHz)	PCC RB Size	PCC RB Offset	SCC1 RB Size	SCC1 RB Offset	Conducted Average (dBm)															
							ANT 1				ANT 2				ANT 3				ANT 4			
							QPSK	16QAM	64QAM	256QAM	QPSK	16QAM	64QAM	256QAM	QPSK	16QAM	64QAM	256QAM	QPSK	16QAM	64QAM	256QAM
15MHz / 15MHz	2507.5	2522.5	1	74	1	0	25.64	24.63	23.70	20.58	23.63	22.65	21.67	18.56	25.00	24.00	23.00	19.84	22.70	21.70	19.68	17.62
			75	0	75	0	23.70	22.70	22.70	20.70	21.68	20.64	20.67	18.66	23.00	22.00	22.00	20.00	20.70	19.70	19.70	17.70
	2527.5	2542.5	1	74	1	0	25.70	24.70	23.59	20.59	23.68	22.70	21.70	18.64	24.87	23.87	22.81	19.65	22.61	21.59	20.70	17.56
			75	0	75	0	23.66	22.66	22.66	20.66	21.68	20.67	20.68	18.69	22.88	21.88	21.88	19.85	20.64	19.67	19.66	17.67
	2547.5	2562.5	1	74	1	0	25.64	24.54	23.41	20.56	23.70	22.64	20.69	18.63	24.79	23.86	22.56	19.62	22.52	21.59	19.82	17.53
			75	0	75	0	23.63	22.63	22.63	20.63	21.70	20.70	20.70	18.70	22.80	21.81	21.81	19.81	20.58	19.58	19.58	17.60

OUTPUT POWER FOR LTE BAND 7 (15.0MHz + 20.0MHz)

Bandwidth	PCC Frequency (MHz)	SCC1 Frequency (MHz)	PCC RB Size	PCC RB Offset	SCC1 RB Size	SCC1 RB Offset	Conducted Average (dBm)															
							ANT 1				ANT 2				ANT 3				ANT 4			
							QPSK	16QAM	64QAM	256QAM	QPSK	16QAM	64QAM	256QAM	QPSK	16QAM	64QAM	256QAM	QPSK	16QAM	64QAM	256QAM
15MHz / 20MHz	2507.8	2524.9	1	74	1	0	25.64	24.69	23.70	20.62	23.65	22.65	21.64	18.58	25.00	24.00	23.00	19.93	22.70	21.70	19.61	17.61
			75	0	100	0	23.70	22.70	22.70	20.70	21.67	20.66	20.64	18.66	23.00	22.00	22.00	20.00	20.70	19.70	19.70	17.70
	2525.3	2542.4	1	74	1	0	25.70	24.70	23.67	20.62	23.70	22.68	21.70	18.59	24.71	23.93	22.83	19.78	22.62	21.60	20.70	17.51
			75	0	100	0	23.67	22.66	22.66	20.68	21.69	20.67	20.67	18.67	22.88	21.92	21.91	19.90	20.65	19.66	19.66	17.68
	2542.9	2560.0	1	74	1	0	25.56	24.64	23.55	20.57	23.70	22.70	20.98	18.63	24.74	23.84	22.80	19.75	22.60	21.66	19.55	17.46
			75	0	100	0	23.63	22.64	22.63	20.64	21.70	20.70	20.70	18.70	22.82	21.85	21.87	19.85	20.63	19.63	19.61	17.64

OUTPUT POWER FOR LTE BAND 7 (20.0MHz + 15.0MHz)

Bandwidth	PCC Frequency (MHz)	SCC1 Frequency (MHz)	PCC RB Size	PCC RB Offset	SCC1 RB Size	SCC1 RB Offset	Conducted Average (dBm)															
							ANT 1				ANT 2				ANT 3				ANT 4			
							QPSK	16QAM	64QAM	256QAM	QPSK	16QAM	64QAM	256QAM	QPSK	16QAM	64QAM	256QAM	QPSK	16QAM	64QAM	256QAM
20MHz / 15MHz	2510.0	2527.1	1	99	1	0	25.58	24.58	23.70	20.25	23.57	22.69	21.14	18.24	24.91	24.00	22.96	19.87	22.70	21.70	19.28	16.27
			100	0	75	0	23.70	22.70	22.70	20.39	21.68	20.70	20.60	18.61	23.00	22.00	21.70	19.69	20.70	19.41	19.49	16.90
	2527.6	2544.7	1	99	1	0	25.56	24.53	23.86	20.44	23.60	22.67	21.70	18.70	24.82	23.87	23.00	19.98	22.60	21.61	20.70	17.70
			100	0	75	0	23.62	22.64	23.01	20.70	21.66	20.70	20.70	18.70	22.90	21.89	22.00	20.00	20.64	19.70	19.70	17.18
	2545.1	2562.2	1	99	1	0	25.48	24.60	22.79	19.34	23.58	22.70	19.87	16.88	24.69	23.87	21.78	18.79	22.62	21.61	19.22	16.15
			100	0	75	0	23.62	22.64	22.45	20.20	21.70	20.24	20.22	18.24	22.83	21.83	21.79	19.79	20.59	19.49	19.66	17.15

OUTPUT POWER FOR LTE BAND 7 (20.0MHz + 20.0MHz)

Bandwidth	PCC Frequency (MHz)	SCC1 Frequency (MHz)	PCC RB Size	PCC RB Offset	SCC1 RB Size	SCC1 RB Offset	Conducted Average (dBm)															
							ANT 1				ANT 2				ANT 3				ANT 4			
							QPSK	16QAM	64QAM	256QAM	QPSK	16QAM	64QAM	256QAM	QPSK	16QAM	64QAM	256QAM	QPSK	16QAM	64QAM	256QAM
20MHz / 20MHz	2510.0	2529.8	1	99	1	0	25.70	24.70	23.68	20.61	23.70	22.64	21.58	18.59	25.00	24.00	23.00	19.94	22.70	21.70	19.63	17.69
			100	0	100	0	23.70	22.70	22.70	20.70	21.69	20.66	20.66	18.68	23.00	22.00	22.00	20.00	20.70	19.70	19.70	17.69
	2525.1	2544.9	1	99	1	0	25.70	24.67	23.70	20.70	23.69	22.70	21.70	18.70	24.90	23.90	22.85	19.80	22.59	21.62	20.70	17.57
			100	0	100	0	23.65	22.65	22.66	20.67	21.68	20.68	20.68	18.70	22.96	21.94	21.91	19.93	20.66	19.67	19.65	17.68
	2540.2	2560.0	1	99	1	0	25.65	24.64	23.57	20.65	23.60	22.69	20.63	18.67	24.78	23.82	22.79	19.76	22.59	21.56	19.50	17.57
			100	0	100	0	23.62	22.64	22.62	20.64	21.70	20.70	20.70	18.70	22.85	21.87	21.88	19.87	20.60	19.63	19.61	17.60

8.3. LTE BAND 41

Test Engineer ID:	25602	Test Date:	11/21/2022
-------------------	-------	------------	------------

OUTPUT POWER FOR LTE BAND 41 (5.0MHz + 20.0MHz)

Bandwidth	PCC Frequency (MHz)	SCC1 Frequency (MHz)	PCC RB Size	PCC RB Offset	SCC1 RB Size	SCC1 RB Offset	Conducted Average (dBm)															
							ANT 1				ANT 2				ANT 3				ANT 4			
							QPSK	16QAM	64QAM	256QAM	QPSK	16QAM	64QAM	256QAM	QPSK	16QAM	64QAM	256QAM	QPSK	16QAM	64QAM	256QAM
5MHz / 20MHz	2499.3	2511.0	1	24	1	0	22.57	22.66	22.66	22.63	22.84	22.95	22.90	22.84	21.04	21.15	21.03	21.01	21.19	21.13	21.30	21.17
			25	0	100	0	22.70	22.70	22.70	22.70	23.00	23.00	23.00	23.00	21.20	21.20	21.20	21.20	21.30	21.30	21.08	21.30
	2583.8	2595.5	1	24	1	0	28.70	27.20	26.70	23.52	28.70	27.20	26.35	23.64	28.00	26.50	26.00	22.79	27.30	26.20	25.70	22.67
			25	0	100	0	26.70	25.70	25.70	23.70	26.70	25.70	25.70	23.70	26.00	25.00	25.00	23.00	25.28	24.70	24.70	22.70
	2668.3	2680.0	1	24	1	0	27.70	26.20	25.70	22.57	28.00	26.50	25.55	22.86	27.00	25.50	25.00	21.88	26.30	24.80	24.30	21.30
			25	0	100	0	25.70	24.70	24.70	22.70	26.00	25.00	24.66	23.00	25.00	24.00	24.00	22.00	24.30	23.30	23.30	21.26

OUTPUT POWER FOR LTE BAND 41 (20.0MHz + 5.0MHz)

Bandwidth	PCC Frequency (MHz)	SCC1 Frequency (MHz)	PCC RB Size	PCC RB Offset	SCC1 RB Size	SCC1 RB Offset	Conducted Average (dBm)															
							ANT 1				ANT 2				ANT 3				ANT 4			
							QPSK	16QAM	64QAM	256QAM	QPSK	16QAM	64QAM	256QAM	QPSK	16QAM	64QAM	256QAM	QPSK	16QAM	64QAM	256QAM
20MHz / 5MHz	2506.0	2517.7	1	99	1	0	26.70	26.20	26.20	22.60	27.00	26.50	26.50	23.00	25.20	24.70	24.70	21.19	25.30	24.80	24.37	21.30
			100	0	25	0	22.70	22.70	22.70	22.70	23.00	23.00	23.00	22.89	21.20	21.20	21.20	21.20	21.30	21.30	21.30	21.00
	2590.5	2602.2	1	99	1	0	28.70	27.20	26.70	23.59	28.70	27.20	26.70	23.52	28.00	26.50	26.00	22.95	27.70	26.20	25.49	22.61
			100	0	25	0	26.70	25.70	25.70	23.70	26.61	25.70	25.70	23.70	26.00	25.00	25.00	23.00	25.54	24.70	24.70	22.70
	2675.0	2686.7	1	99	1	0	27.70	26.20	25.70	22.51	27.93	26.50	26.00	22.83	27.00	25.50	25.00	21.90	26.30	24.80	24.21	21.30
			100	0	25	0	25.70	24.70	24.70	22.70	26.00	25.00	25.00	23.00	25.00	24.00	24.00	22.00	24.30	23.30	23.30	21.21

OUTPUT POWER FOR LTE BAND 41 (10.0MHz + 20.0MHz)

Bandwidth	PCC Frequency (MHz)	SCC1 Frequency (MHz)	PCC RB Size	PCC RB Offset	SCC1 RB Size	SCC1 RB Offset	Conducted Average (dBm)															
							ANT 1				ANT 2				ANT 3				ANT 4			
							QPSK	16QAM	64QAM	256QAM	QPSK	16QAM	64QAM	256QAM	QPSK	16QAM	64QAM	256QAM	QPSK	16QAM	64QAM	256QAM
10MHz / 20MHz	2501.5	2515.9	1	49	1	0	22.55	22.55	22.56	22.55	22.81	22.90	22.91	22.87	21.04	21.07	20.99	20.97	21.22	21.30	21.30	21.30
			50	0	100	0	22.70	22.70	22.70	22.70	23.00	23.00	23.00	23.00	21.20	21.20	21.20	21.20	21.30	21.29	21.24	21.24
	2583.6	2598.0	1	49	1	0	28.70	27.20	26.7	23.70	28.70	27.20	26.70	23.70	28.00	26.50	26.00	23.00	27.70	26.20	25.70	22.70
			50	0	100	0	26.70	25.70	25.7	23.70	26.70	25.70	25.70	23.70	26.00	25.00	25.00	23.00	25.70	24.70	24.70	22.70
	2665.6	2680.0	1	49	1	0	27.70	26.20	25.70	22.65	28.00	26.50	26.00	23.00	27.00	25.50	25.00	21.88	26.30	24.80	24.30	21.27
			50	0	100	0	25.70	24.70	24.70	22.70	26.00	25.00	25.00	23.00	25.00	24.00	24.00	22	24.30	23.30	23.30	21.30

OUTPUT POWER FOR LTE BAND 41 (20.0MHz + 10.0MHz)

Bandwidth	PCC Frequency (MHz)	SCC1 Frequency (MHz)	PCC RB Size	PCC RB Offset	SCC1 RB Size	SCC1 RB Offset	Conducted Average (dBm)															
							ANT 1				ANT 2				ANT 3				ANT 4			
							QPSK	16QAM	64QAM	256QAM	QPSK	16QAM	64QAM	256QAM	QPSK	16QAM	64QAM	256QAM	QPSK	16QAM	64QAM	256QAM
20MHz / 10MHz	2506.0	2520.4	1	99	1	0	26.70	25.96	26.20	22.55	27.00	26.50	26.50	22.81	24.84	24.58	24.09	21.14	25.28	24.80	24.80	21.10
			100	0	50	0	22.70	22.70	22.70	22.70	23.00	23.00	23.00	23.00	21.20	21.20	21.20	21.20	21.30	21.33	21.30	21.31
	2588.1	2602.5	1	99	1	0	28.70	27.20	26.70	23.53	28.70	27.20	26.70	23.55	28.00	26.50	26.00	22.86	27.70	26.20	25.70	22.62
			100	0	50	0	26.70	25.70	25.70	23.70	26.70	25.70	25.70	23.70	26.00	25.00	25.00	23.00	25.70	24.70	24.70	22.70
	2670.1	2684.5	1	99	1	0	27.70	26.20	25.70	22.53	28.00	26.50	26.00	22.90	27.00	25.50	25.00	21.91	26.30	24.80	24.30	21.31
			100	0	50	0	25.70	24.70	24.70	22.70	26.00	25.00	25.00	23.00	25.00	24.00	24.00	22.00	24.30	23.30	23.30	21.75

OUTPUT POWER FOR LTE BAND 41 (15.0MHz + 15.0MHz)

Bandwidth	PCC Frequency (MHz)	SCC1 Frequency (MHz)	PCC RB Size	PCC RB Offset	SCC1 RB Size	SCC1 RB Offset	Conducted Average (dBm)															
							ANT 1				ANT 2				ANT 3				ANT 4			
							QPSK	16QAM	64QAM	256QAM	QPSK	16QAM	64QAM	256QAM	QPSK	16QAM	64QAM	256QAM	QPSK	16QAM	64QAM	256QAM
15MHz / 15MHz	2503.5	2518.5	1	74	1	0	27.70	26.20	25.70	22.65	28.00	26.50	26.00	22.90	26.20	24.70	24.20	21.15	26.30	24.80	24.30	21.30
			75	0	75	0	22.70	22.70	22.70	22.70	23.00	23.00	23.00	23.00	21.20	21.20	21.20	21.20	21.30	21.30	21.30	21.24
	2585.5	2600.5	1	74	1	0	28.70	27.20	26.70	23.67	28.70	27.20	26.70	23.66	28.00	26.50	26.00	22.85	27.70	26.20	25.70	22.70
			75	0	75	0	26.70	25.70	25.70	23.70	26.70	25.70	25.70	23.70	26.00	25.00	25.00	23.00	25.70	24.70	24.70	22.63
	2667.5	2682.5	1	74	1	0	27.70	26.20	25.70	22.68	28.00	26.50	26.00	22.93	27.00	25.50	25.00	21.90	26.30	24.80	24.30	21.01
			75	0	75	0	25.70	24.70	24.70	22.70	26.00	25.00	25.00	23.00	25.00	24.00	24.00	22.00	24.30	23.30	23.30	21.30

OUTPUT POWER FOR LTE BAND 41 (15.0MHz + 20.0MHz)

Bandwidth	PCC Frequency (MHz)	SCC1 Frequency (MHz)	PCC RB Size	PCC RB Offset	SCC1 RB Size	SCC1 RB Offset	Conducted Average (dBm)															
							ANT 1				ANT 2				ANT 3				ANT 4			
							QPSK	16QAM	64QAM	256QAM	QPSK	16QAM	64QAM	256QAM	QPSK	16QAM	64QAM	256QAM	QPSK	16QAM	64QAM	256QAM
15MHz / 20MHz	2503.8	2520.9	1	74	1	0	27.70	26.20	25.70	22.70	28.00	26.50	26.00	22.93	26.20	24.70	24.20	21.17	26.3	24.80	24.30	21.28
			75	0	100	0	22.70	22.70	22.70	22.66	23.00	23.00	23.00	23.00	21.20	21.20	21.20	21.20	21.30	21.30	21.30	21.30
	2583.3	2600.4	1	74	1	0	28.70	27.20	26.70	23.63	28.70	27.20	26.70	23.63	28.00	26.50	26.00	22.85	27.70	26.20	25.70	22.70
			75	0	100	0	26.70	25.70	25.70	23.70	26.70	25.70	25.70	23.70	26.00	25.00	25.00	23.00	25.70	24.70	24.70	22.56
	2662.9	2680.0	1	74	1	0	27.70	26.20	25.70	22.61	28.00	26.50	26.00	22.94	27.00	25.50	25.00	21.81	26.30	24.80	24.30	21.30
			75	0	100	0	25.70	24.7	24.70	22.70	26.00	25.00	25.00	23.00	25.00	24.00	24.00	22.00	24.30	23.30	23.30	21.25

OUTPUT POWER FOR LTE BAND 41 (20.0MHz + 15.0MHz)

Bandwidth	PCC Frequency (MHz)	SCC1 Frequency (MHz)	PCC RB Size	PCC RB Offset	SCC1 RB Size	SCC1 RB Offset	Conducted Average (dBm)															
							ANT 1				ANT 2				ANT 3				ANT 4			
							QPSK	16QAM	64QAM	256QAM	QPSK	16QAM	64QAM	256QAM	QPSK	16QAM	64QAM	256QAM	QPSK	16QAM	64QAM	256QAM
20MHz / 15MHz	2506.0	2523.1	1	99	1	0	27.70	26.20	25.70	22.70	28.00	26.50	26.00	22.96	26.20	24.70	24.20	21.16	26.00	24.80	24.30	21.30
			100	0	75	0	22.70	22.70	22.70	22.70	23.00	23.00	23.00	21.20	21.20	21.20	21.20	21.30	21.30	21.30	21.30	21.30
	2585.6	2602.7	1	99	1	0	28.52	27.20	26.70	23.30	28.37	27.20	26.70	23.63	27.85	26.50	26.00	23.00	27.70	26.20	25.70	22.69
			100	0	75	0	26.70	25.70	25.70	23.70	26.70	25.70	25.70	23.70	26.00	25.00	25.00	22.76	25.70	24.70	24.70	22.70
	2665.1	2682.2	1	99	1	0	27.54	26.20	25.70	22.43	28.00	26.50	26.00	22.86	26.84	25.50	25.00	22.00	26.30	24.80	24.30	21.18
			100	0	75	0	25.70	24.70	24.70	22.70	26.00	25.00	25.00	23.00	25.00	24.00	24.00	21.88	24.3	23.30	23.30	21.30

OUTPUT POWER FOR LTE BAND 41 (20.0MHz + 20.0MHz)

Bandwidth	PCC Frequency (MHz)	SCC1 Frequency (MHz)	PCC RB Size	PCC RB Offset	SCC1 RB Size	SCC1 RB Offset	Conducted Average (dBm)																
							ANT 1				ANT 2				ANT 3				ANT 4				
							QPSK	16QAM	64QAM	256QAM	QPSK	16QAM	64QAM	256QAM	QPSK	16QAM	64QAM	256QAM	QPSK	16QAM	64QAM	256QAM	
20MHz/ 20MHz	2506.0	2525.8	1	99	1	0	27.70	26.20	25.70	22.70	28.00	26.50	26.00	23.00	26.20	24.70	24.20	21.20	25.96	24.80	24.30	21.30	
			1	0	1	99	14.70	14.70	14.70	14.70	15.00	15.00	15.00	13.20	13.20	13.20	13.20	13.20	13.20	13.30	13.30	13.30	13.30
			100	0	100	0	22.70	22.70	22.70	22.70	23.00	23.00	23.00	23.00	21.20	21.20	21.20	21.20	21.30	21.30	21.30	21.30	
			1	99	1	0	28.70	27.20	26.70	23.70	28.70	27.20	26.70	23.70	28.00	26.50	26.00	23.00	27.30	26.20	25.70	22.70	
			1	0	1	99	20.20	20.20	20.20	20.20	20.20	20.20	20.20	20.20	19.50	19.50	19.50	19.50	19.20	19.20	19.20	19.20	
			100	0	100	0	26.70	25.70	25.70	23.70	26.70	25.70	25.70	23.70	26.00	25.00	25.00	23.00	25.28	24.70	24.70	22.70	
	2583.1	2602.9	1	99	1	0	27.70	26.20	25.70	22.70	28.00	26.50	26.00	23.00	27.00	25.50	25.00	22.00	26.30	24.80	24.30	21.30	
			1	0	1	99	19.20	19.20	19.20	19.20	19.50	19.50	19.50	18.50	18.50	18.50	18.50	17.80	17.80	17.80	17.80		
			100	0	100	0	25.70	24.70	24.70	22.70	26.00	25.00	25.00	23.00	25.00	24.00	24.00	22.00	24.30	23.30	23.30	21.30	
			1	99	1	0	28.70	27.20	26.70	23.70	28.70	27.20	26.70	23.70	28.00	26.50	26.00	23.00	27.30	26.20	25.70	22.70	
			1	0	1	99	20.20	20.20	20.20	20.20	20.20	20.20	20.20	20.20	19.50	19.50	19.50	19.20	19.20	19.20	19.20		
			100	0	100	0	26.70	25.70	25.70	23.70	26.70	25.70	25.70	23.70	26.00	25.00	25.00	23.00	25.28	24.70	24.70	22.70	
2660.2	2680.0	1	99	1	0	27.70	26.20	25.70	22.70	28.00	26.50	26.00	23.00	27.00	25.50	25.00	22.00	26.30	24.80	24.30	21.30		
		1	0	1	99	19.20	19.20	19.20	19.20	19.50	19.50	19.50	18.50	18.50	18.50	18.50	17.80	17.80	17.80	17.80			
100	0	100	0	25.70	24.70	24.70	22.70	26.00	25.00	25.00	23.00	25.00	24.00	24.00	22.00	24.30	23.30	23.30	21.30				

8.4. LTE BAND 48

Test Engineer ID:	25780	Test Date:	4/3/2022
-------------------	-------	------------	----------

OUTPUT POWER FOR LTE BAND 48 (5.0MHz + 20.0MHz)

Bandwidth	PCC Frequency (MHz)	SCC1 Frequency (MHz)	PCC RB Size	PCC RB Offset	SCC1 RB Size	SCC1 RB Offset	Conducted Average (dBm)															
							ANT 7				ANT 8				ANT 9				ANT 4			
							QPSK	16QAM	64QAM	256QAM	QPSK	16QAM	64QAM	256QAM	QPSK	16QAM	64QAM	256QAM	QPSK	16QAM	64QAM	256QAM
5MHz / 20MHz	3553.3	3565.0	1	24	1	0	20.52	20.50	20.50	20.53	20.53	20.54	20.53	20.52	20.53	20.54	20.23	20.51	18.73	18.73	18.74	18.71
			25	0	100	0	14.05	14.00	14.05	14.00	14.02	14.01	14.01	14.04	14.02	13.77	13.77	13.92	12.22	12.25	12.22	12.23
			1	24	1	0	24.04	24.01	24.02	20.88	24.02	24.00	24.02	20.94	24.00	24.00	20.97	22.23	22.22	22.22	19.22	
3615.8	3627.5	3690.0	1	24	1	0	22.04	22.01	22.01	21.02	22.02	22.01	22.00	21.05	22.02	21.97	22.03	21.00	20.25	20.21	20.22	19.14
			25	0	100	0	20.53	20.52	20.51	20.51	20.53	20.53	20.50	20.52	20.51	20.55	20.54	20.51	18.71	18.70	18.71	18.72
			1	24	1	0	14.03	14.01	14.04	14.03	14.05	14.03	14.02	14.04	14.04	14.05	14.04	14.02	12.24	12.22	12.20	12.22
3678.3	3690.0	3690.0	1	24	1	0	20.51	20.50	20.50	20.53	20.53	20.54	20.53	20.52	20.53	20.54	20.23	20.51	18.73	18.73	18.74	18.71
			25	0	100	0	14.03	14.01	14.04	14.03	14.05	14.03	14.02	14.04	14.04	14.05	14.04	14.02	12.24	12.22	12.20	12.22
			1	24	1	0	24.04	24.01	24.02	20.88	24.02	24.00	24.02	20.94	24.00	24.00	20.97	22.23	22.22	22.22	19.22	

OUTPUT POWER FOR LTE BAND 48 (20.0MHz + 5.0MHz)

Bandwidth	PCC Frequency (MHz)	SCC1 Frequency (MHz)	PCC RB Size	PCC RB Offset	SCC1 RB Size	SCC1 RB Offset	Conducted Average (dBm)															
							ANT 7				ANT 8				ANT 9				ANT 4			
							QPSK	16QAM	64QAM	256QAM	QPSK	16QAM	64QAM	256QAM	QPSK	16QAM	64QAM	256QAM	QPSK	16QAM	64QAM	256QAM
20MHz / 5MHz	3560.0	3571.7	1	99	1	0	20.51	20.55	20.55	20.52	20.51	20.54	20.53	20.51	20.53	20.54	20.54	20.54	18.73	18.73	18.75	18.74
			100	0	25	0	14.01	14.04	14.04	14.04	14.03	14.02	14.00	14.00	14.05	14.03	14.03	14.03	12.23	12.25	12.22	12.20
			1	99	1	0	24.01	24.01	24.00	20.84	24.02	24.01	24.00	23.97	24.00	24.01	24.01	20.92	22.22	22.22	21.65	19.16
3622.5	3634.2	3690.0	1	99	1	0	22.04	22.02	22.03	21.01	22.03	22.03	22.04	21.03	22.01	22.02	22.04	21.00	20.20	20.23	20.22	19.25
			100	0	25	0	20.51	20.51	20.50	20.53	20.52	20.54	20.53	20.54	20.50	20.55	20.54	20.53	18.74	18.74	18.72	18.72
			1	99	1	0	14.01	14.03	14.01	14.01	14.01	14.03	14.02	14.04	14.04	14.05	14.01	14.02	12.24	12.23	12.24	12.23
3685.0	3696.7	3690.0	1	99	1	0	20.51	20.51	20.50	20.53	20.52	20.54	20.53	20.54	20.50	20.55	20.54	20.53	18.74	18.74	18.72	18.72
			100	0	25	0	14.01	14.03	14.01	14.01	14.01	14.03	14.02	14.04	14.04	14.05	14.01	14.02	12.24	12.23	12.24	12.23
			1	99	1	0	24.01	24.01	24.00	20.84	24.02	24.01	24.00	23.97	24.00	24.01	24.01	20.92	22.22	22.22	21.65	19.16

OUTPUT POWER FOR LTE BAND 48 (10.0MHz + 20.0MHz)

Bandwidth	PCC Frequency (MHz)	SCC1 Frequency (MHz)	PCC RB Size	PCC RB Offset	SCC1 RB Size	SCC1 RB Offset	Conducted Average (dBm)															
							ANT 7				ANT 8				ANT 9				ANT 4			
							QPSK	16QAM	64QAM	256QAM	QPSK	16QAM	64QAM	256QAM	QPSK	16QAM	64QAM	256QAM	QPSK	16QAM	64QAM	256QAM
10MHz / 20MHz	3555.5	3569.9	1	49	1	0	20.00	20.00	20.00	20.00	20.00	20.00	20.00	20.00	20.00	20.00	20.00	20.00	18.17	18.08	18.20	18.19
			50	0	100	0	15.00	15.00	15.00	15.00	15.00	15.00	15.00	15.00	15.00	15.00	15.00	15.00	13.20	13.18	13.20	13.20
			1	49	1	0	24.50	24.50	24.00	20.95	24.50	24.50	24.00	20.93	24.50	24.50	24.00	20.89	22.69	22.70	22.14	19.22
3615.6	3630.0	3690.0	1	49	1	0	21.50	21.50	21.50	21.00	21.50	21.50	21.50	21.00	21.50	21.50	21.50	21.00	19.48	19.70	19.68	19.16
			50	0	100	0	20.00	20.00	20.00	20.00	20.00	20.00	20.00	20.00	20.00	20.00	20.00	20.00	18.19	18.10	18.20	18.18
			1	49	1	0	15.00	15.00	15.00	15.00	15.00	15.00	15.00	15.00	15.00	15.00	15.00	15.00	13.21	13.19	13.19	13.19
3675.6	3690.0	3690.0	1	49	1	0	20.00	20.00	20.00	20.00	20.00	20.00	20.00	20.00	20.00	20.00	20.00	20.00	18.19	18.10	18.20	18.18
			50	0	100	0	15.00	15.00	15.00	15.00	15.00	15.00	15.00	15.00	15.00	15.00	15.00	15.00	13.21	13.19	13.19	13.19
			1	49	1	0	24.50	24.50	24.00	20.95	24.50	24.50	24.00	20.93	24.50	24.50	24.00	20.89	22.69	22.70	22.14	19.22

OUTPUT POWER FOR LTE BAND 48 (20.0MHz + 10.0MHz)

Bandwidth	PCC Frequency (MHz)	SCC1 Frequency (MHz)	PCC RB Size	PCC RB Offset	SCC1 RB Size	SCC1 RB Offset	Conducted Average (dBm)															
							Ant 7				Ant 8				Ant 9				ANT 4			
							QPSK	16QAM	64QAM	256QAM	QPSK	16QAM	64QAM	256QAM	QPSK	16QAM	64QAM	256QAM	QPSK	16QAM	64QAM	256QAM
20MHz / 10MHz	3560.0	3574.4	1	99	1	0	19.93	19.95	19.95	19.98	19.94	19.86	20.01	19.90	19.99	20.02	20.01	19.99	18.21	18.17	18.25	18.18
			100	0	50	0	14.93	14.97	15.01	15.02	15.01	15.01	15.02	15.02	14.99	14.96	15.00	14.99	13.21	13.19	13.27	13.25
			1	99	1	0	24.46	24.50	24.03	20.87	25.00	24.50	24.03	20.91	24.50	24.50	24.05	20.94	22.72	22.71	22.19	19.24
3620.1	3634.5	3690.0	1	99	1	0	21.48	21.53	21.51	21.00	21.54	21.49	21.53	21.03	21.53	21.48	21.54	21.01	19.52	19.69	19.73	19.16
			100	0	50	0	19.91	20.02	19.87	19.94	19.99	20.03	19.98	20.01	19.99	20.03	19.95	19.97	18.25	18.15	18.26	18.19
			1	99	1	0	15.01	15.03	15.04	15.01	15.00	15.01	15.01	15.00	14.92	15.01	15.01	15.01	13.26	13.20	13.27	13.22
3680.1	3694.5	3690.0	1	99	1	0	19.93	19.95	19.95	19.98	19.94	19.86	20.01	19.90	19.99	20.02	20.01	19.99	18.21	18.17	18.25	18.18
			100	0	50	0	14.93	14.97	15.01	15.02	15.01	15.01	15.02	15.02	14.99	14.96	15.00	14.99	13.21	13.19	13.27	13.25
			1	99	1	0	24.46	24.50	24.03	20.87	25.00	24.50	24.03	20.91	24.50	24.50	24.05	20.94	22.72	22.71	22.19	19.24

OUTPUT POWER FOR LTE BAND 48 (15.0MHz + 20.0MHz)

Bandwidth	PCC Frequency (MHz)	SCC1 Frequency (MHz)	PCC RB Size	PCC RB Offset	SCC1 RB Size	SCC1 RB Offset	Conducted Average (dBm)																
							ANT 7				ANT 8				ANT 9				ANT 4				
							QPSK	16QAM	64QAM	256QAM	QPSK	16QAM	64QAM	256QAM	QPSK	16QAM	64QAM	256QAM	QPSK	16QAM	64QAM	256QAM	
15MHz / 20MHz	3557.8	3574.9	1	74	1	0	19.93	19.95	19.95	19.98	19.94	19.86	20.01	19.90	19.99	20.02	20.01	19.99	18.21	18.17	18.25	18.18	
			75	0	100	0	14.92	14.94	15.00	14.99	14.99	15.02	15.00	14.97	14.97	14.90	15.01	14.94	13.19	13.18	13.22	13.23	
			1	74	1	0	25.00	25.00	23.99	20.94	25.00	24.98	24.00	20.87	25.00	24.98	24.01	20.77	23.19	23.20	22.18	19.09	
3615.3	3632.4	3690.0	1	74	1	0	21.45	21.46	21.48	21.00	21.53	21.46	21.49	21.00	21.51	21.49	21.52	20.99	19.70	19.68	19.70	19.22	
			75	0	100	0	19.92	19.93	19.97	19.98	19.98	20.03	19.89	19.97	19.94	19.93	19.99	19.96	19.91	18.24	18.12	18.21	18.17
			1	74	1	0	14.98	15.00	14.96	15.00	15.03	14.99	15.01	14.98	14.94	14.96	15.02	14.94	13.25	13.19	13.20	13.17	
3672.9	3690.0	3690.0	1	74	1	0	19.93	19.95	19.95	19.98	19.94	19.86	20.01	19.90	19.99	20.02	20.01	19.99	18.21	18.17	18.25	18.18	
			75	0	100	0	14.9																

OUTPUT POWER FOR LTE BAND 48 (20.0MHz + 20.0MHz)

Bandwidth	PCC Frequency (MHz)	SCC1 Frequency (MHz)	PCC RB Size	PCC RB Offset	SCC1 RB Size	SCC1 RB Offset	Conducted Average (dBm)															
							ANT 7				ANT 8				ANT 9				ANT 4			
							QPSK	16QAM	64QAM	256QAM	QPSK	16QAM	64QAM	256QAM	QPSK	16QAM	64QAM	256QAM	QPSK	16QAM	64QAM	256QAM
20MHz/ 20MHz	3560.0	3579.8	1	99	1	0	21.45	21.53	21.49	21.00	21.52	21.37	21.45	21.00	21.48	21.49	21.44	21.82	19.64	19.71	19.67	19.19
			1	0	1	99	7.93	8.00	7.87	7.84	7.90	7.99	7.90	7.93	7.99	7.97	7.99	8.02	6.15	6.23	6.08	6.13
			100	0	100	0	14.93	14.90	14.99	14.99	14.99	15.02	15.00	15.01	14.93	14.95	14.99	14.94	13.16	13.17	13.18	13.20
			1	99	1	0	24.99	24.95	24.00	21.03	25.00	25.00	24.00	21.02	25.00	24.91	23.97	21.02	23.14	23.22	22.19	19.19
	3615.1	3634.9	1	0	1	99	14.50	14.40	14.49	14.51	14.44	14.51	14.43	14.44	14.49	14.52	14.52	14.51	12.62	12.71	12.54	12.61
			1	0	1	0	21.51	21.48	21.50	21.03	21.52	21.46	21.47	21.02	21.51	21.48	21.50	21.02	19.67	19.69	19.69	19.22
			1	99	1	0	21.50	21.38	21.45	21.00	21.41	21.49	21.35	20.90	21.51	21.50	21.48	21.00	19.61	19.71	19.60	19.20
			100	0	100	0	14.99	15.02	14.96	14.98	14.96	15.01	14.97	14.96	14.96	15.00	14.98	15.00	13.20	13.20	13.18	13.23
	3670.2	3690.0	1	0	1	99	7.96	7.89	7.91	8.00	7.91	8.00	7.91	7.92	7.97	7.94	7.92	8.01	6.07	6.22	6.07	6.07
			100	0	100	0	14.99	15.02	14.96	14.98	14.96	15.01	14.97	14.96	14.96	15.00	14.98	15.00	13.20	13.20	13.18	13.23

9. CONDUCTED TEST RESULTS

9.1. OCCUPIED BANDWIDTH

RULE PART(S)

FCC: §2.1049

LIMITS

For reporting purposes only

TEST PROCEDURE

The transmitter output was connected to a calibrated coaxial cable and coupler, the other end of which was connected to a spectrum analyzer. The occupied bandwidth was measured with the spectrum analyzer at the middle channel in each band. The 99% and -26dB bandwidths was also measured and recorded.

RESULTS

There is no limit required and power is the same for low, middle, and high channel; therefore, only middle channel was tested. Only QPSK plots are reported to show setting parameter complies with testing method/procedure.

LTE BAND 5

Band	Mode	RB Allocation/RB Offset	f (MHz)	99% BW (MHz)	- 26dB BW (MHz)
LTE BAND 5	3MHz + 5MHz BAND QPSK	15/0 + 25/0	836.5	7.4797	7.961
	3MHz + 5MHz BAND 16QAM			7.4766	8.002
	5MHz + 3MHz BAND QPSK	25/0 + 15/0		7.4947	8.041
	5MHz + 3MHz BAND 16QAM			7.4760	8.016
	5MHz + 10MHz BAND QPSK	25/0 + 50/0		13.845	14.77
	5MHz + 10MHz BAND 16QAM			13.854	14.62
	10MHz + 5MHz BAND QPSK	50/0 + 25/0		13.837	14.43
	10MHz + 5MHz BAND 16QAM			13.893	14.58
	10MHz + 10MHz BAND QPSK	50/0 + 50/0		18.754	19.81
	10MHz + 10MHz BAND 16QAM			18.778	19.70

LTE Band 7

Band	Mode	RB Allocation/RB Offset	f (MHz)	99% BW (MHz)	- 26dB BW (MHz)
LTE BAND 7	10MHz + 20MHz BAND QPSK	50/0 + 100/0	2535	28.136	30.19
	10MHz + 20MHz BAND 16QAM			28.082	30.04
	20MHz + 10MHz BAND QPSK	100/0 + 50/0		28.107	30.22
	20MHz + 10MHz BAND 16QAM			28.061	30.06
	15MHz + 15MHz BAND QPSK	75/0 + 75/0		28.674	30.96
	15MHz + 15MHz BAND 16QAM			28.743	30.81
	15MHz + 20MHz BAND QPSK	75/0 + 100/0		32.910	35.36
	15MHz + 20MHz BAND 16QAM			32.889	35.20
	20MHz + 15MHz BAND QPSK	100/0 + 75/0		32.912	35.21
	20MHz + 15MHz BAND 16QAM			32.909	35.29
	20MHz + 20MHz BAND QPSK	100/0 + 100/0		37.710	40.11
	20MHz + 20MHz BAND 16QAM			37.726	39.96

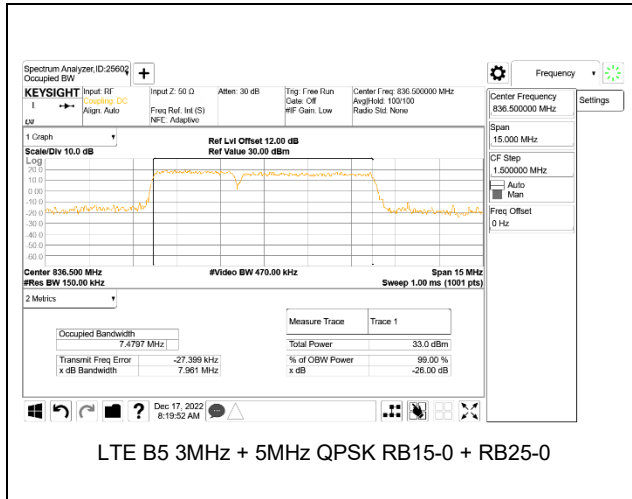
LTE BAND 41

Band	Mode	RB Allocation/RB Offset	f (MHz)	99% BW (MHz)	- 26dB BW (MHz)
LTE BAND 41 (FCC)	5MHz + 20MHz BAND QPSK	25/0 + 100/0	2593	23.341	25.32
	5MHz + 20MHz BAND 16QAM			23.315	25.09
	20MHz + 5MHz BAND QPSK	100/0 + 25/0		23.348	25.16
	20MHz + 5MHz BAND 16QAM			23.306	25.12
	10MHz + 20MHz BAND QPSK	50/0 + 100/0		28.105	30.30
	10MHz + 20MHz BAND 16QAM			28.034	29.96
	20MHz + 10MHz BAND QPSK	100/0 + 50/0		28.091	30.05
	20MHz + 10MHz BAND 16QAM			28.034	30.05
	15MHz + 15MHz BAND QPSK	75/0 + 75/0		28.658	30.79
	15MHz + 15MHz BAND 16QAM			28.620	30.65
	15MHz + 20MHz BAND QPSK	75/0 + 100/0		32.875	35.17
	15MHz + 20MHz BAND 16QAM			32.909	35.07
	20MHz + 15MHz BAND QPSK	100/0 + 75/0		32.859	35.04
	20MHz + 15MHz BAND 16QAM			32.964	35.24
	20MHz + 20MHz BAND QPSK	100/0 + 100/0		37.785	40.12
	20MHz + 20MHz BAND 16QAM			37.767	39.98

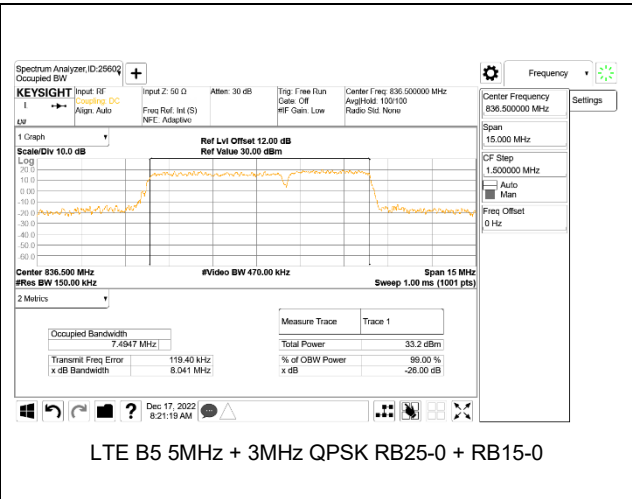
LTE BAND 48

Band	Mode	RB Allocation/RB Offset	f (MHz)	99% BW (MHz)	- 26dB BW (MHz)
48	5MHz + 20MHz BAND QPSK	25/0 + 100/0	3625	23.336	24.82
	5MHz + 20MHz BAND 16QAM			23.291	24.90
	20MHz + 5MHz BAND QPSK	100/0 + 25/0		23.416	24.89
	20MHz + 5MHz BAND 16QAM			23.232	24.77
	10MHz + 20MHz BAND QPSK	50/0 + 100/0		28.151	29.91
	10MHz + 20MHz BAND 16QAM			28.051	29.72
	20MHz + 10MHz BAND QPSK	100/0 + 50/0		28.170	29.82
	20MHz + 10MHz BAND 16QAM			28.064	29.84
	15MHz + 20MHz BAND QPSK	75/0 + 100/0		32.982	34.79
	15MHz + 20MHz BAND 16QAM			32.951	34.89
	20MHz + 15MHz BAND QPSK	100/0 + 75/0		32.985	34.83
	20MHz + 15MHz BAND 16QAM			32.945	34.80
	20MHz + 20MHz BAND QPSK	100/0 + 100/0		37.740	39.75
	20MHz + 20MHz BAND 16QAM			37.837	39.76

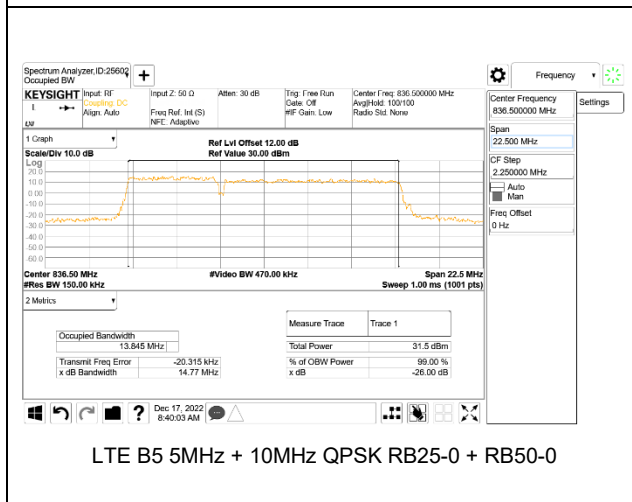
9.1.1. LTE BAND 5



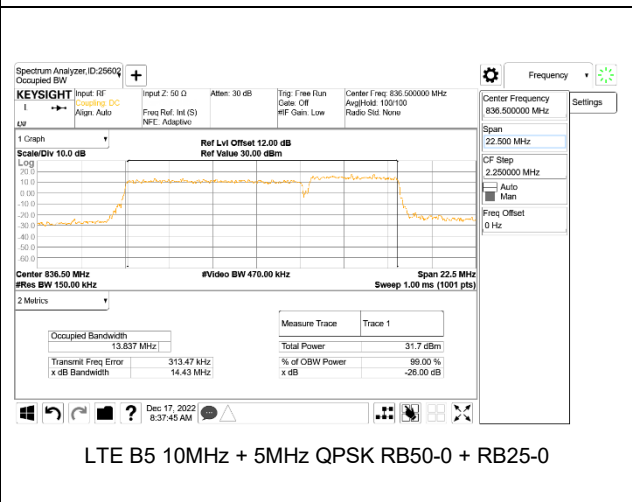
LTE B5 3MHz + 5MHz QPSK RB15-0 + RB25-0



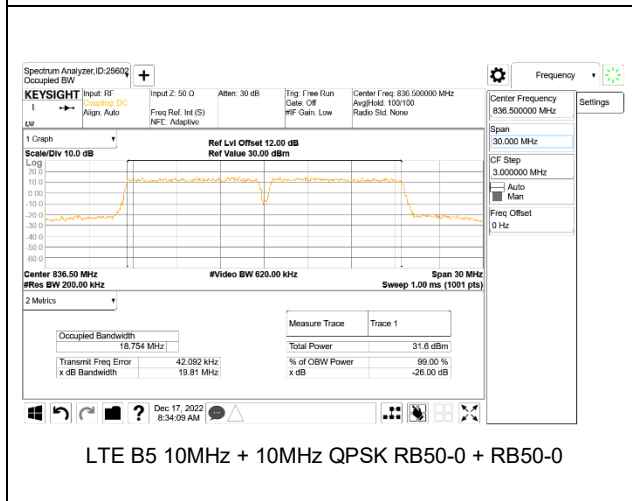
LTE B5 5MHz + 3MHz QPSK RB25-0 + RB15-0



LTE B5 5MHz + 10MHz QPSK RB25-0 + RB50-0



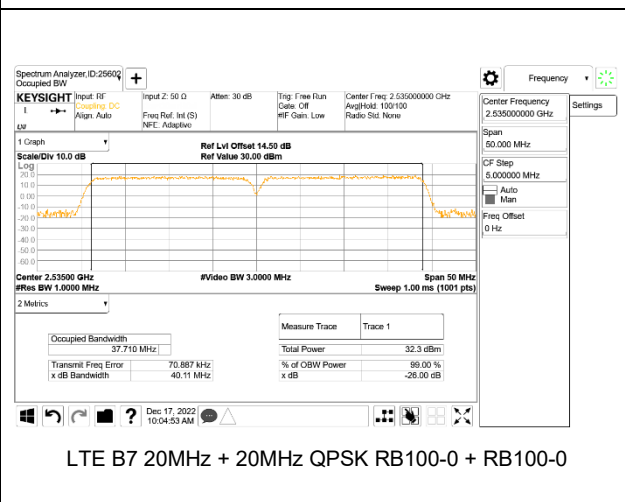
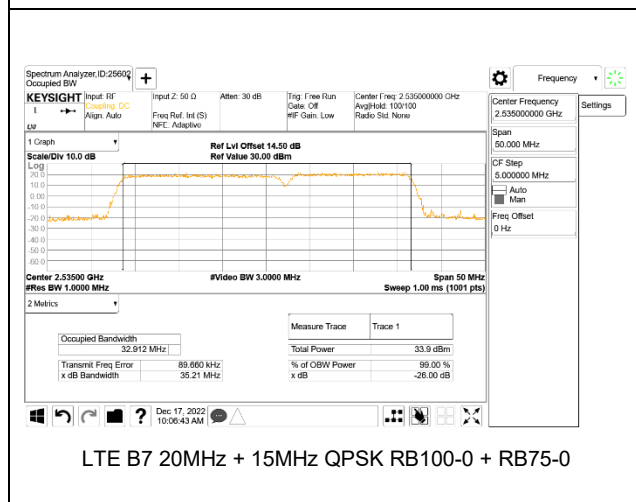
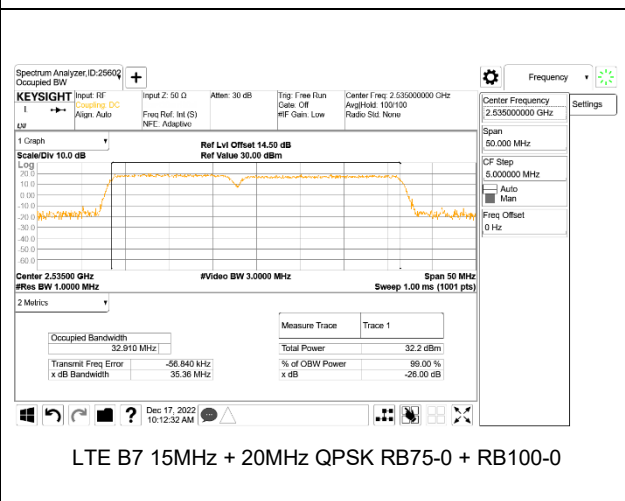
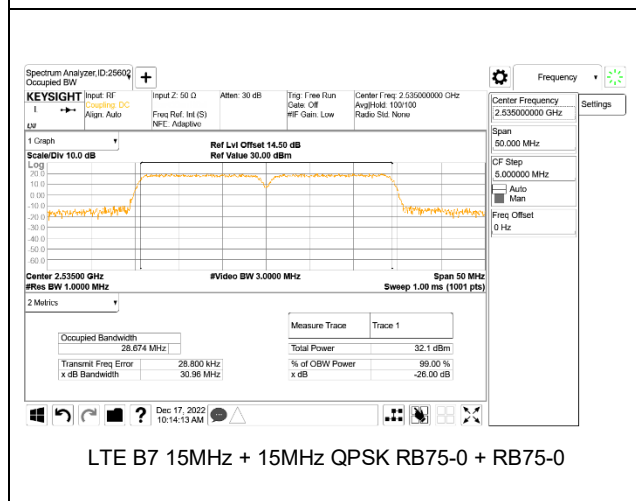
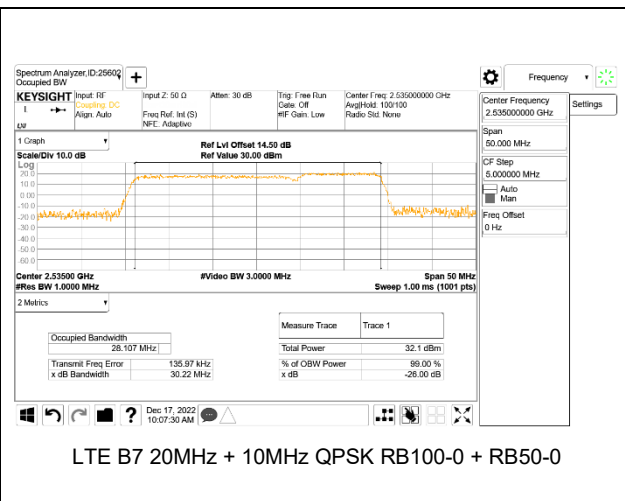
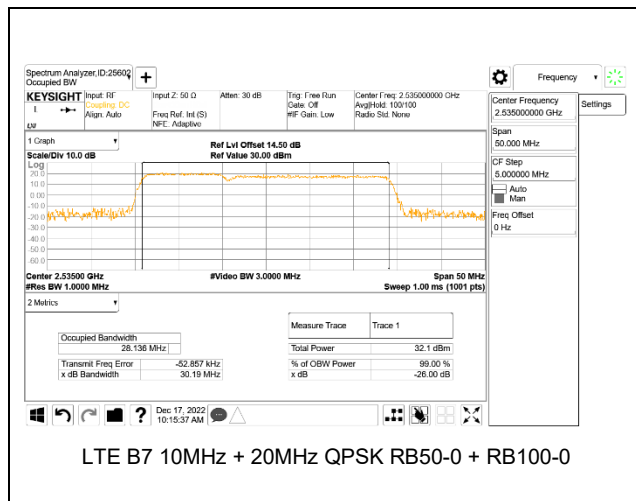
LTE B5 10MHz + 5MHz QPSK RB50-0 + RB25-0



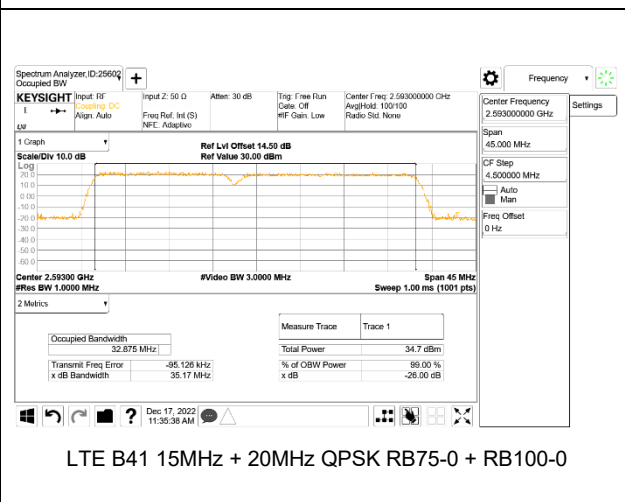
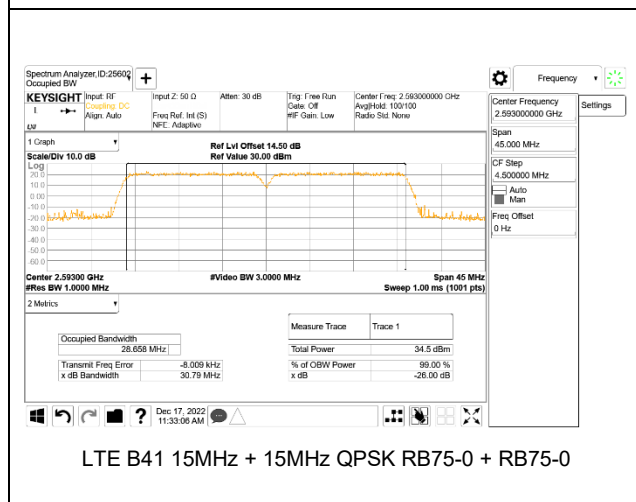
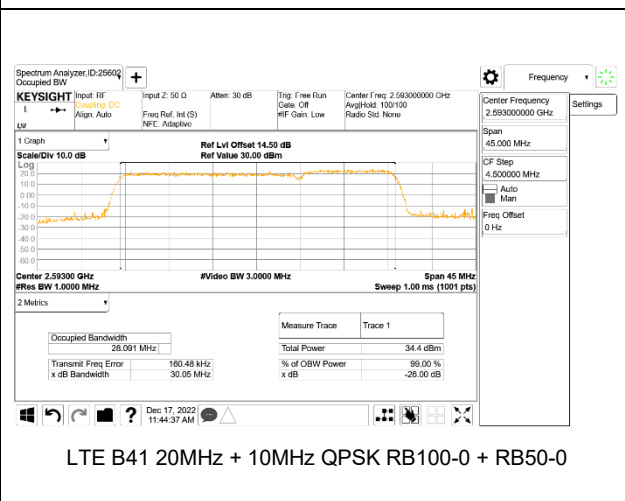
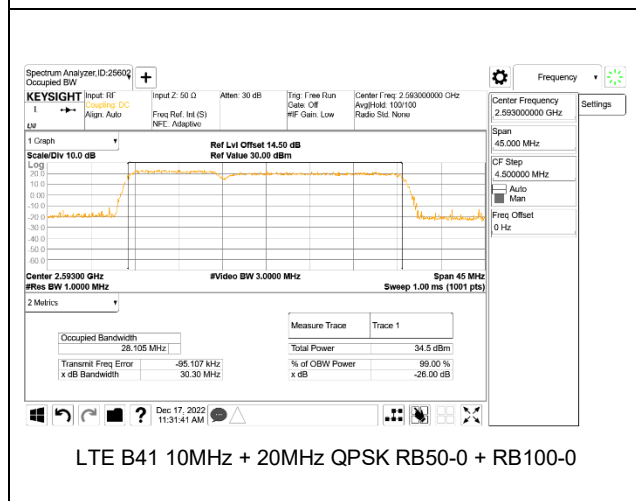
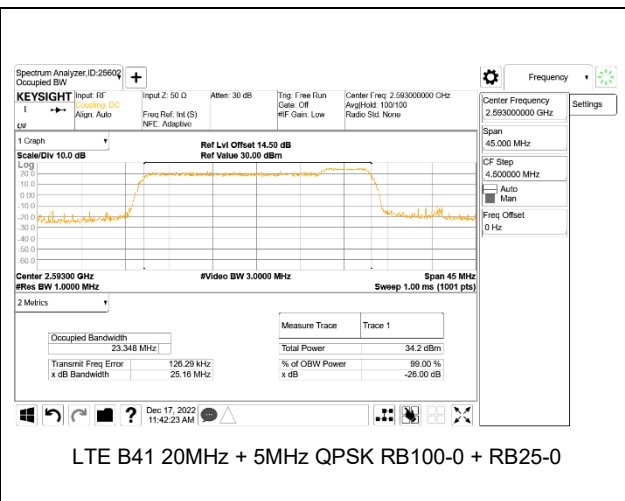
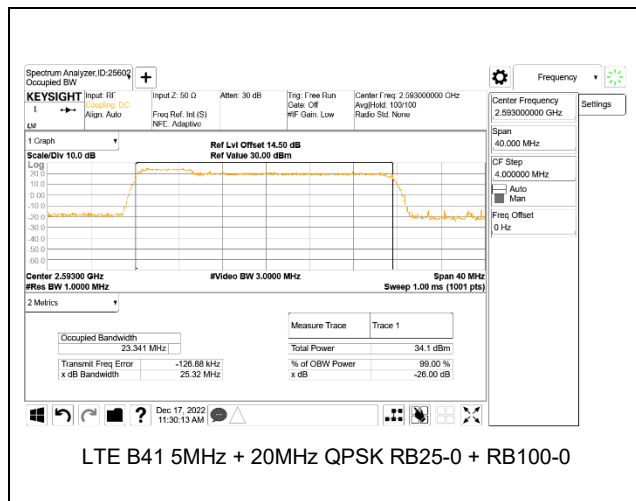
LTE B5 10MHz + 10MHz QPSK RB50-0 + RB50-0

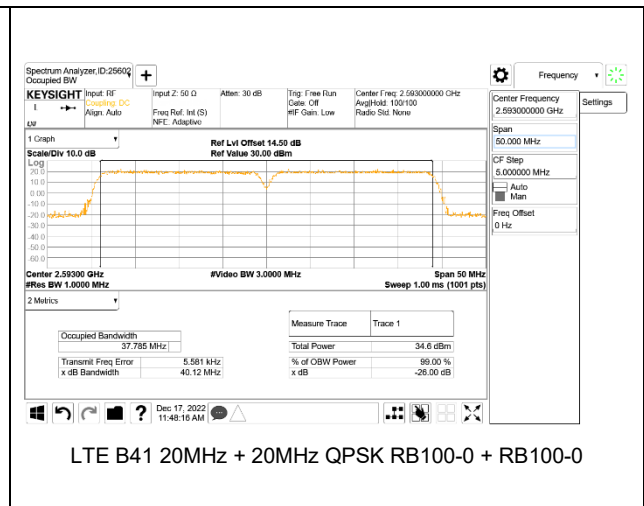
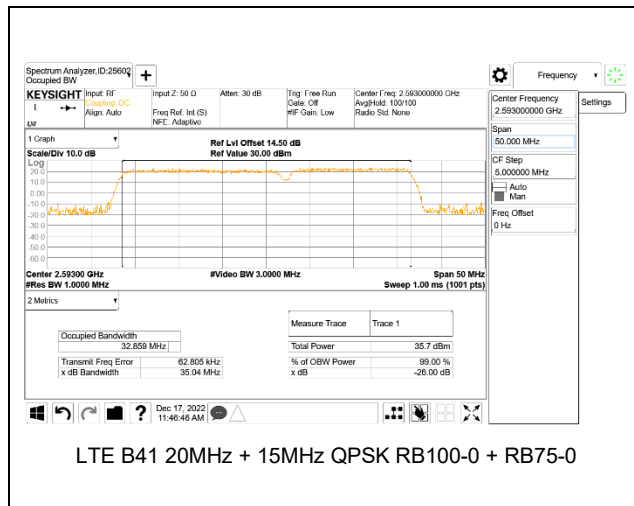
Intentionally Blank

9.1.2. LTE BAND 7

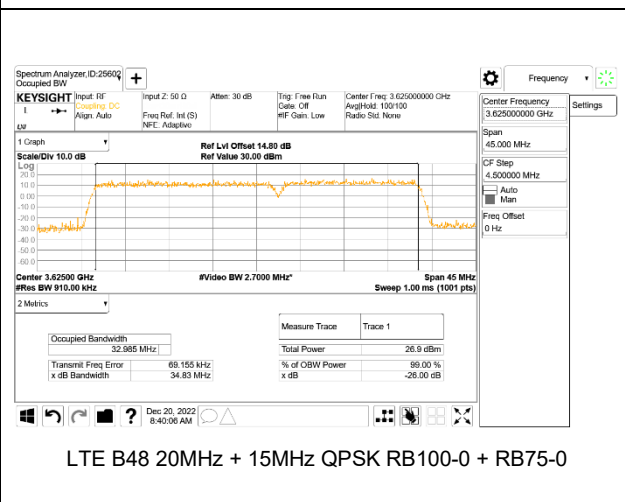
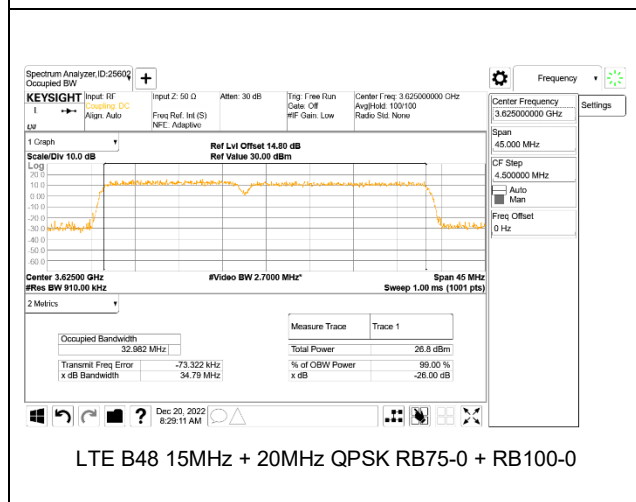
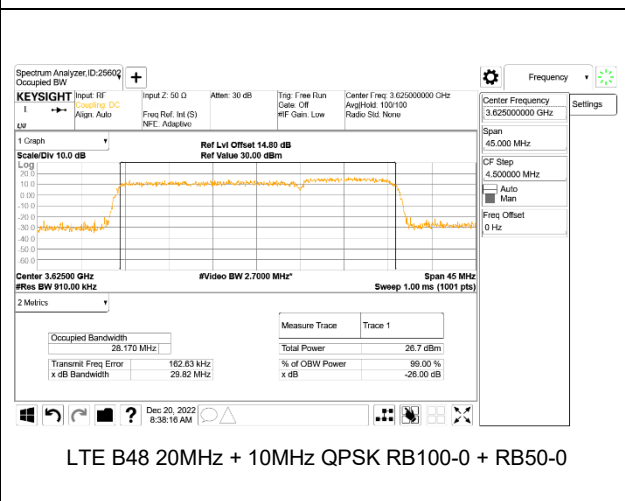
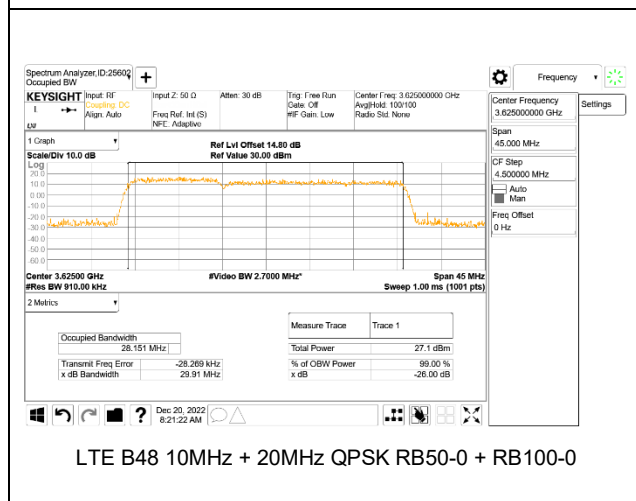
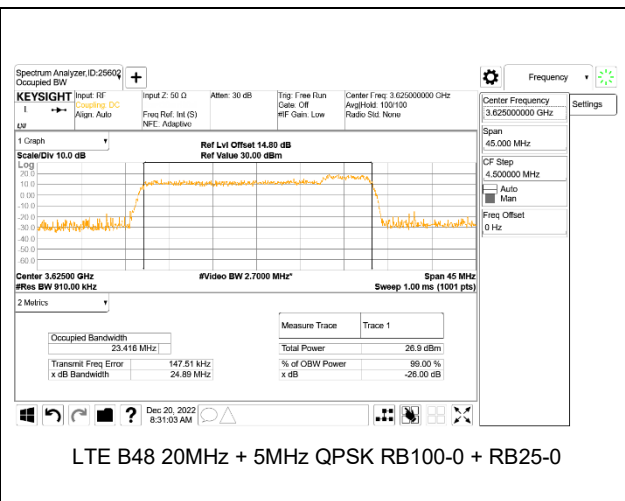
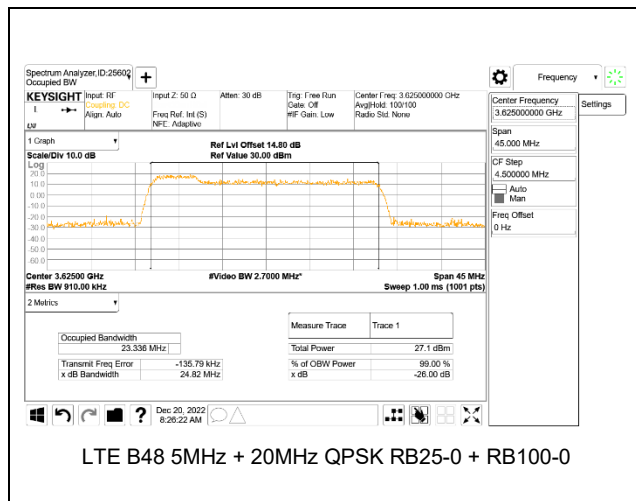


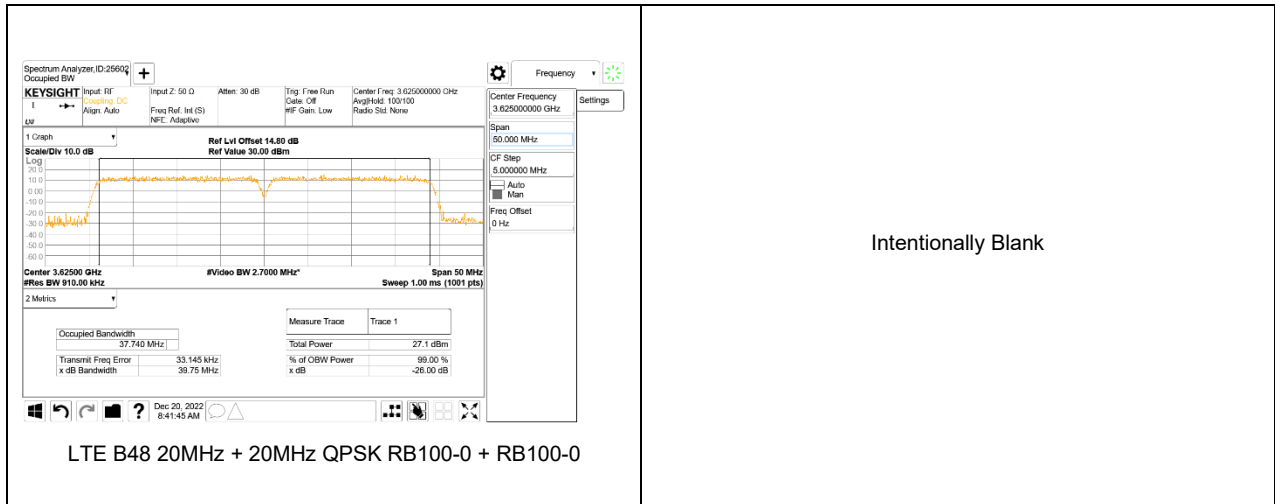
9.1.3. LTE BAND 41





9.1.4. LTE BAND 48





Intentionally Blank

9.2 BAND EDGE AND EMISSION MASK

TEST PROCEDURE

The transmitter output was connected to a R&S CMW500 Test Set and configured to operate at maximum power. The band edge emissions were measured at the required operating frequencies in each band on the Spectrum Analyzer.

For each band edge measurement:

- Set the spectrum analyzer span to include the block edge frequency.
- Set a marker to point the corresponding band edge frequency in each test case.
- Set display line at -13 dBm
- Set resolution bandwidth to at least 1% of emission bandwidth.

TEST PROCEDURE FOR FCC PART 27

(m)(6) Measurement procedure. Compliance with these rules is based on the use of measurement instrumentation employing a resolution bandwidth of 1 megahertz or greater. However, in the 1 MHz bands immediately outside and adjacent to the frequency block a resolution bandwidth of at least one percent of the emission bandwidth of the fundamental emission of the transmitter may be employed; for mobile digital stations, in the 1 megahertz bands immediately outside and adjacent to the frequency block a resolution bandwidth of at least two percent may be employed, except when the 1 megahertz band is 2495-2496 MHz, in which case a resolution bandwidth of at least one percent may be employed. A narrower resolution bandwidth is permitted in all cases to improve measurement accuracy provided the measured power is integrated over the full required measurement bandwidth (i.e. 1 megahertz or 1 percent of emission bandwidth, as specified; or 1 megahertz or 2 percent for mobile digital stations, except in the band 2495-2496 MHz). The emission bandwidth is defined as the width of the signal between two points, one below the carrier center frequency and one above the carrier center frequency, outside of which all emissions are attenuated at least 26 dB below the transmitter power. With respect to television operations, measurements must be made of the separate visual and aural operating powers at sufficiently frequent intervals to ensure compliance with the rules.

TEST PROCEDURE FOR FCC PART 96

(3) Measurement procedure.

(i) Compliance with this provision is based on the use of measurement instrumentation employing a resolution bandwidth of 1 megahertz or greater. However, in the 1 megahertz bands immediately outside and adjacent to the licensee's authorized frequency channel, a resolution bandwidth of no less than one percent of the fundamental emission bandwidth may be employed. A narrower resolution bandwidth is permitted in all cases to improve measurement accuracy provided the measured power is integrated over the full reference bandwidth (i.e., 1 MHz or 1 percent of emission bandwidth, as specified). The fundamental emission bandwidth is defined as the width of the signal between two points, one below the carrier center frequency and one above the carrier center frequency, outside of which all emissions are attenuated at least 26 dB below the transmitter power.

(ii) When measuring unwanted emissions to demonstrate compliance with the limits, the CBSD and End User Device nominal carrier frequency/channel shall be adjusted as close to the licensee's authorized frequency block edges, both upper and lower, as the design permits.

(iii) Compliance with emission limits shall be demonstrated using either average (RMS)-detected or peak-detected power measurement techniques.

RESULTS

Both maximum + maximum bandwidth combinations of QPSK and 16QAM modes are tested, QPSK results are reported as worst case.

9.2.1. LTE BAND 5

LIMITS

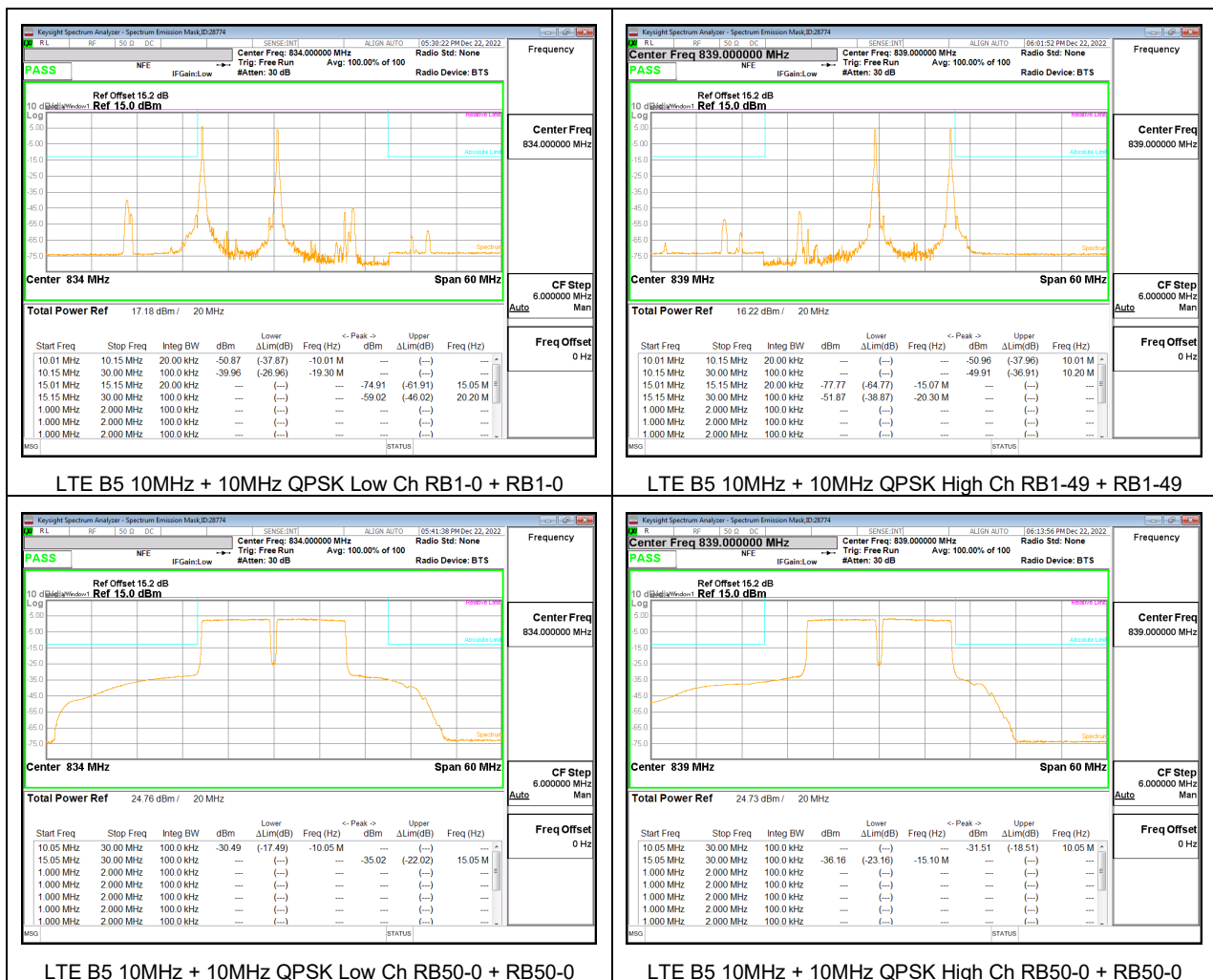
FCC: §22.917

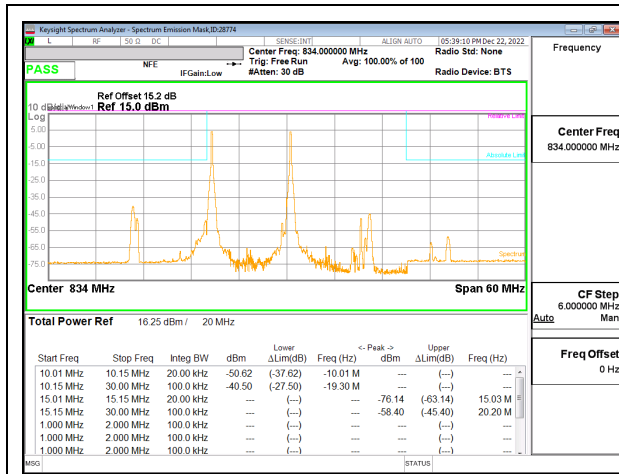
The power of any emission outside of the authorized operating frequency ranges must be attenuated below the transmitting power (P) by a factor of at least $43 + 10 \log(P)$ dB.

Equipment shall meet the unwanted emission limits specified below:

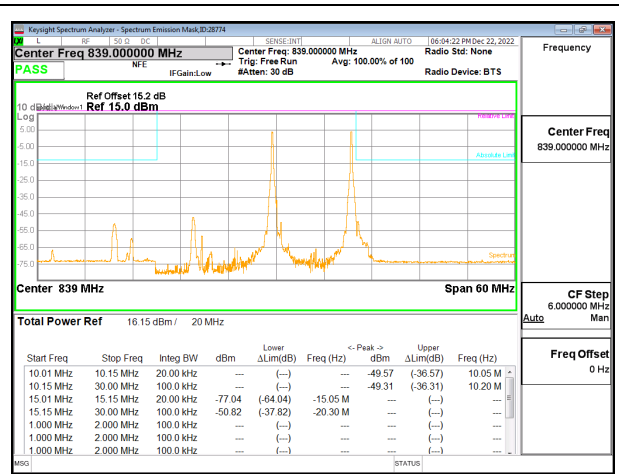
- (i) In the first 1.0 MHz band immediately outside and adjacent to each of the sub-bands specified in Section 5.1, the power of emissions per any 1% of the occupied bandwidth shall be attenuated below the transmitter output power P (dBW) by at least $43 + 10 \log(p)$ dB.
- (ii) After the first 1.0 MHz immediately outside and adjacent to each of the sub-bands, the power of emissions in any 100 kHz bandwidth shall be attenuated below the transmitter output power P (dBW) by at least $43 + 10 \log(p)$ dB. If the measurement is performed using 1% of the occupied bandwidth, power integration over 100 kHz is required.

p is the output power specified in watts.

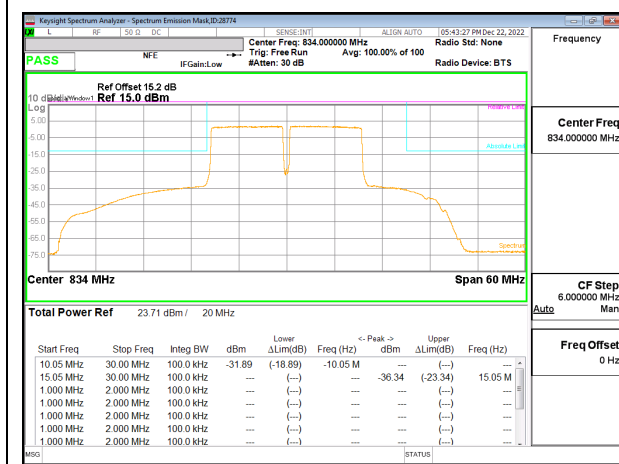




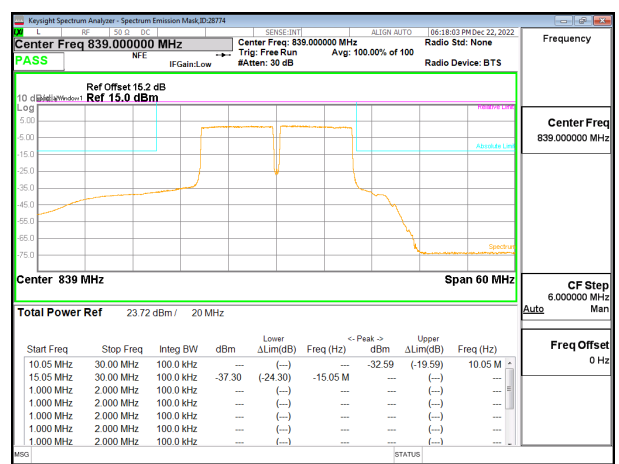
LTE B5 10MHz + 10MHz 16QAM Low Ch RB1-0 + RB1-0



LTE B5 10MHz + 10MHz 16QAM High Ch RB1-49 + RB1-49



LTE B5 10MHz + 10MHz 16QAM Low Ch RB50-0 + RB50-0

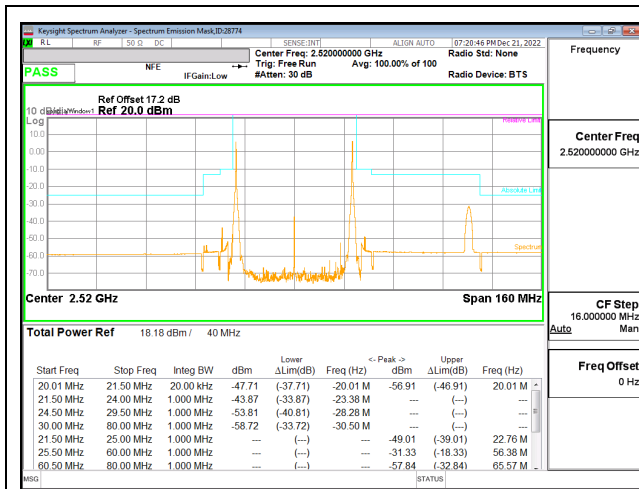


LTE B5 10MHz + 10MHz 16QAM High Ch RB50-0 + RB50-0

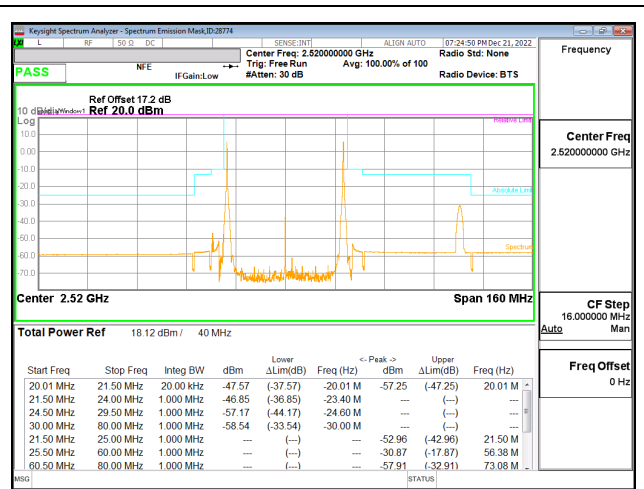
9.2.2. LTE BAND 7

LIMITS

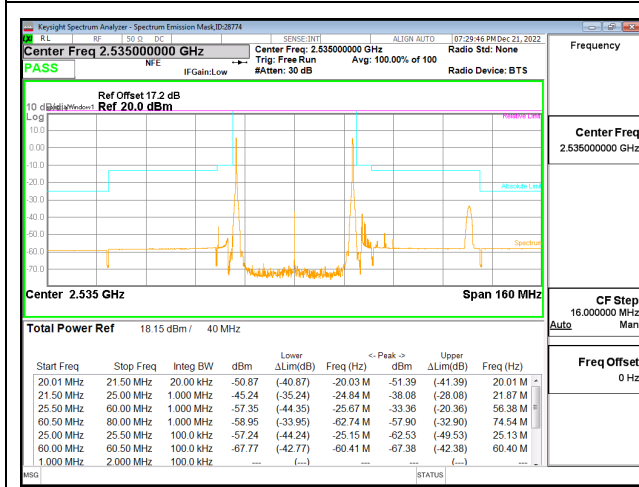
FCC: §27.53(m)(4) For mobile digital stations, the attenuation factor shall be not less than 40 + 10 log (P) dB on all frequencies between the channel edge and 5 megahertz from the channel edge, 43 + 10 log (P) dB on all frequencies between 5 megahertz and X megahertz from the channel edge, and 55 + 10 log (P) dB on all frequencies more than X megahertz from the channel edge, where X is the greater of 6 megahertz or the actual emission bandwidth as defined in paragraph (m)(6) of this section. In addition, the attenuation factor shall not be less that 43 + 10 log (P) dB on all frequencies between 2490.5 MHz and 2496 MHz and 55 + 10 log (P) dB at or below 2490.5 MHz. Mobile Satellite Service licensees operating on frequencies below 2495 MHz may also submit a documented interference complaint against BRS licensees operating on channel BRS Channel 1 on the same terms and conditions as adjacent channel BRS or EBS licensees.



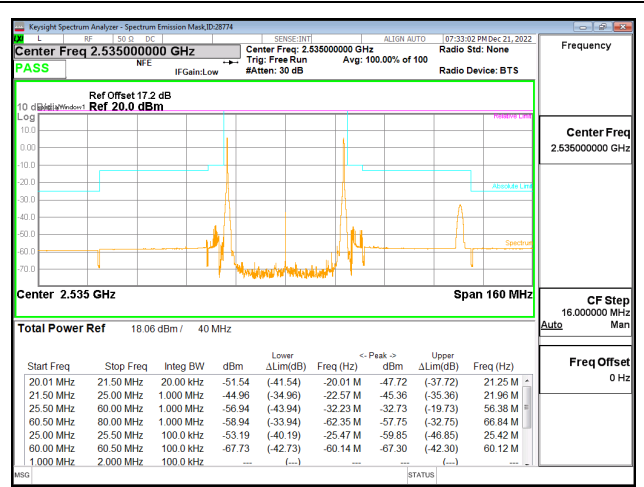
LTE B7 20MHz + 20MHz QPSK Low Ch RB1-0 + RB1-99



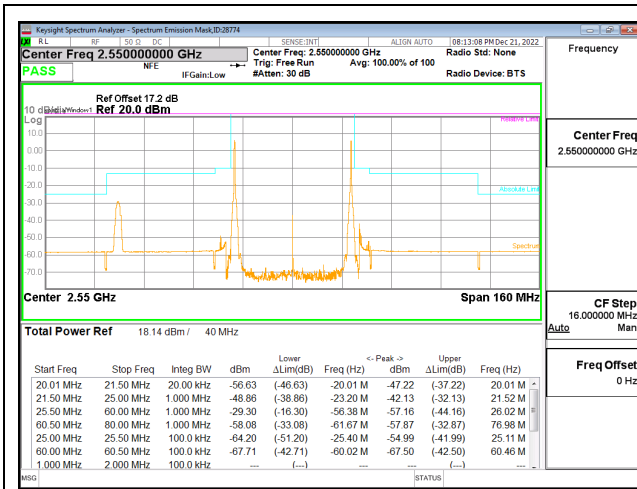
LTE B7 20MHz + 20MHz 16QAM Low Ch RB1-0 + RB1-99



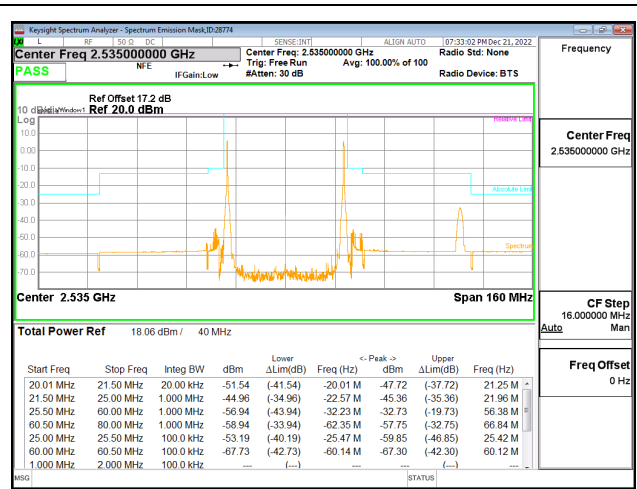
LTE B7 20MHz + 20MHz QPSK Mid Ch RB1-0 + RB1-99



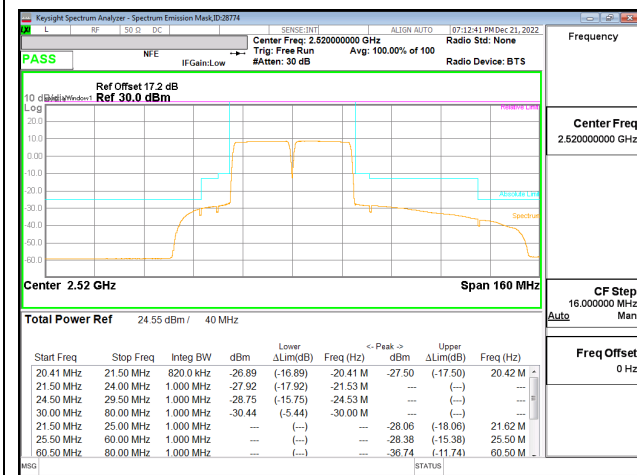
LTE B7 20MHz + 20MHz 16QAM Mid Ch RB1-0 + RB1-99



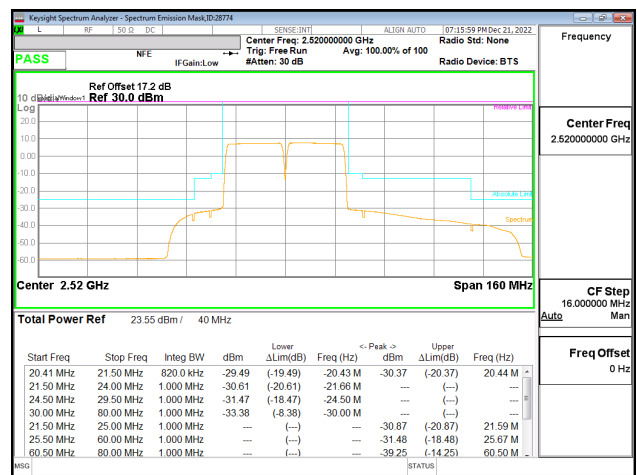
LTE B7 20MHz + 20MHz QPSK High Ch RB1-0 + RB1-99



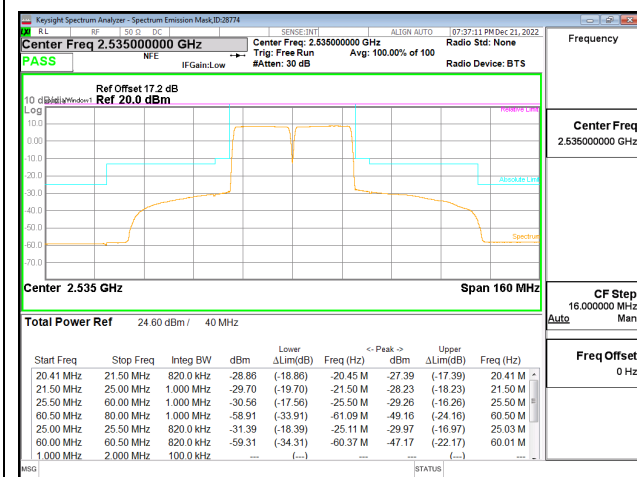
LTE B7 20MHz + 20MHz 16QAM High Ch RB1-0 + RB1-99



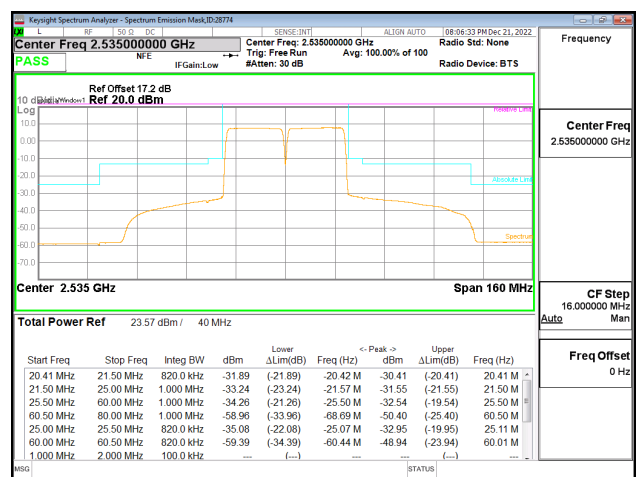
LTE B7 20MHz + 20MHz QPSK Low Ch RB100-0 + RB100-0



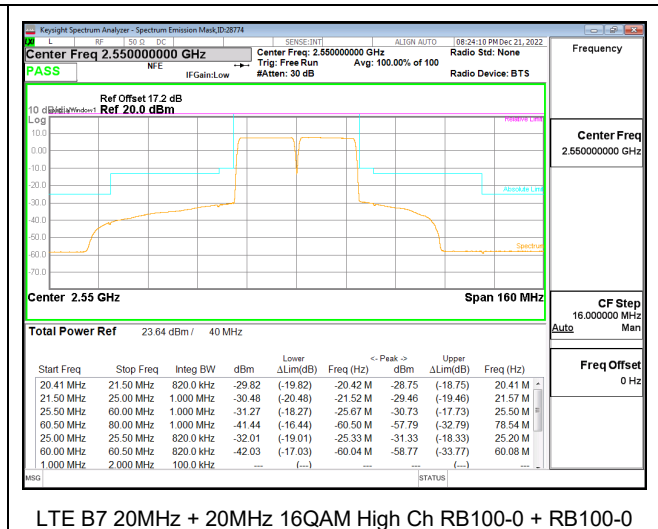
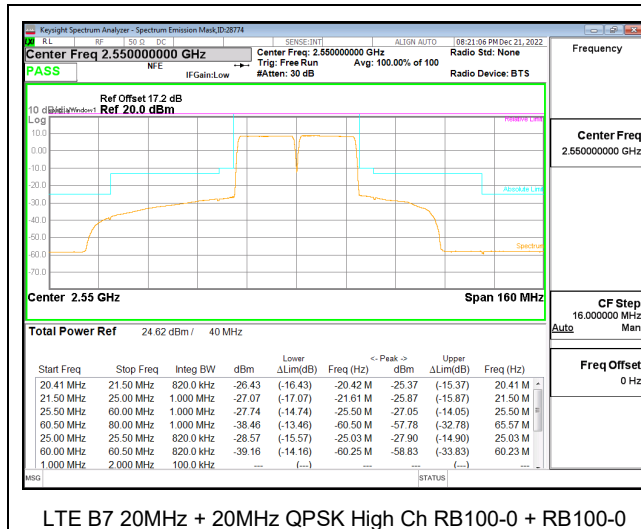
LTE B7 20MHz + 20MHz 16QAM Low Ch RB100-0 + RB100-0



LTE B7 20MHz + 20MHz QPSK Mid Ch RB100-0 + RB100-0



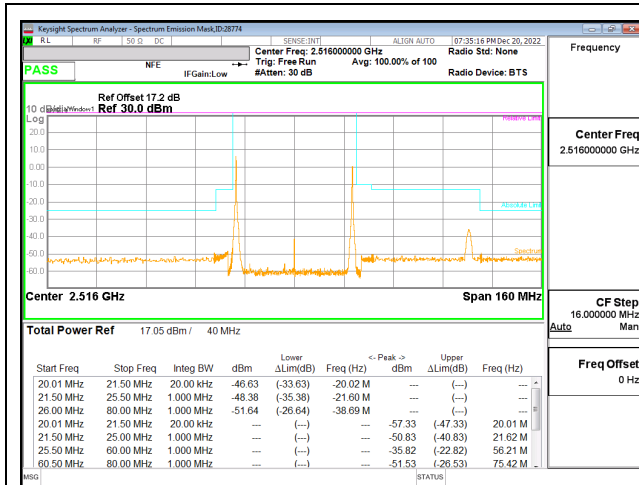
LTE B7 20MHz + 20MHz 16QAM Mid Ch RB100-0 + RB100-0



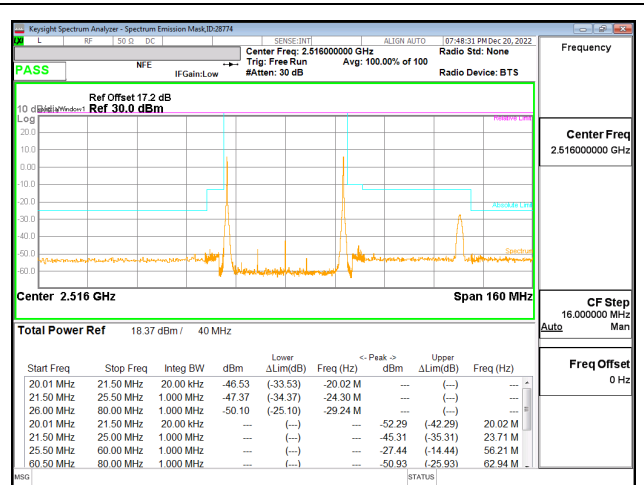
9.2.3. LTE BAND 41

LIMITS

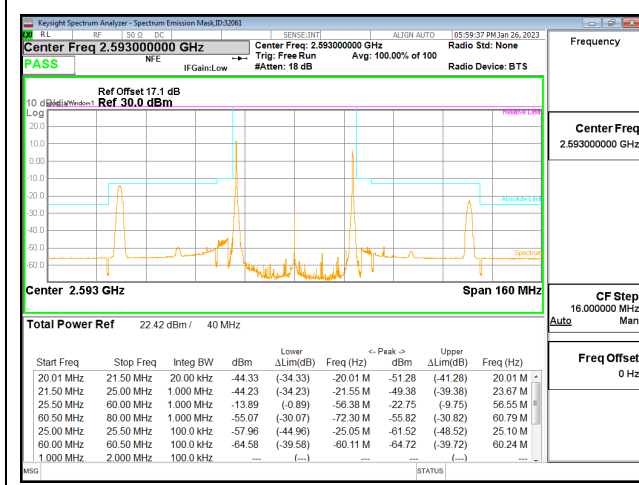
FCC: §27.53(m)(4) For mobile digital stations, the attenuation factor shall be not less than 40 + 10 log (P) dB on all frequencies between the channel edge and 5 megahertz from the channel edge, 43 + 10 log (P) dB on all frequencies between 5 megahertz and X megahertz from the channel edge, and 55 + 10 log (P) dB on all frequencies more than X megahertz from the channel edge, where X is the greater of 6 megahertz or the actual emission bandwidth as defined in paragraph (m)(6) of this section. In addition, the attenuation factor shall not be less that 43 + 10 log (P) dB on all frequencies between 2490.5 MHz and 2496 MHz and 55 + 10 log (P) dB at or below 2490.5 MHz. Mobile Satellite Service licensees operating on frequencies below 2495 MHz may also submit a documented interference complaint against BRS licensees operating on channel BRS Channel 1 on the same terms and conditions as adjacent channel BRS or EBS licensees.



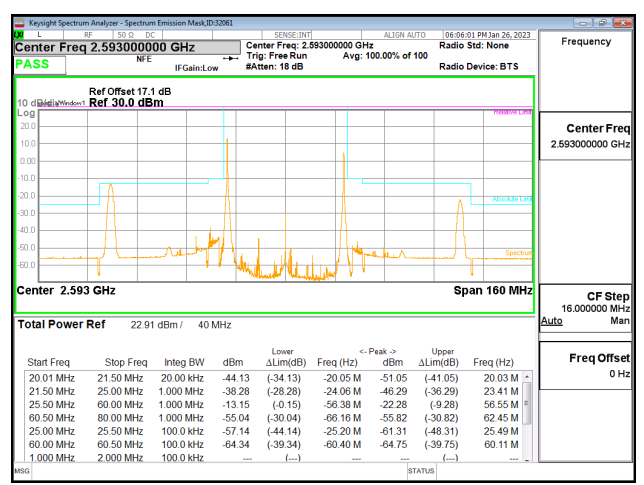
LTE B41 20MHz + 20MHz QPSK Low Ch RB1-0 + RB1-99



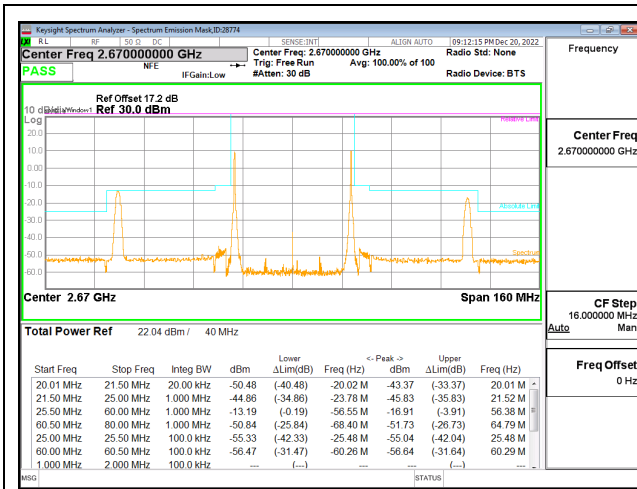
LTE B41 20MHz + 20MHz 16QAM Low Ch RB1-0 + RB1-99



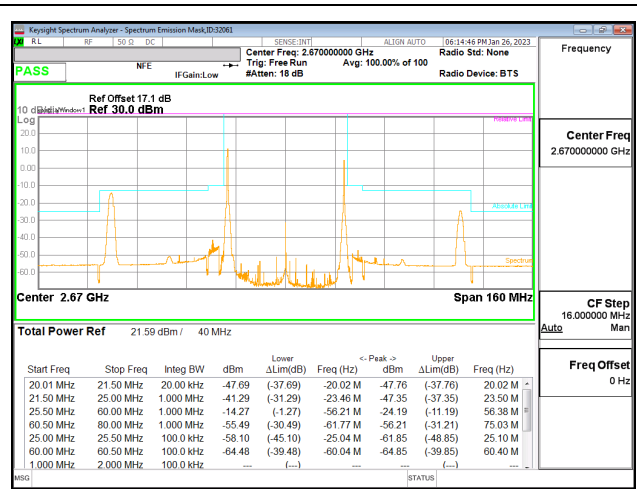
LTE B41 20MHz + 20MHz QPSK Mid Ch RB1-0 + RB1-99



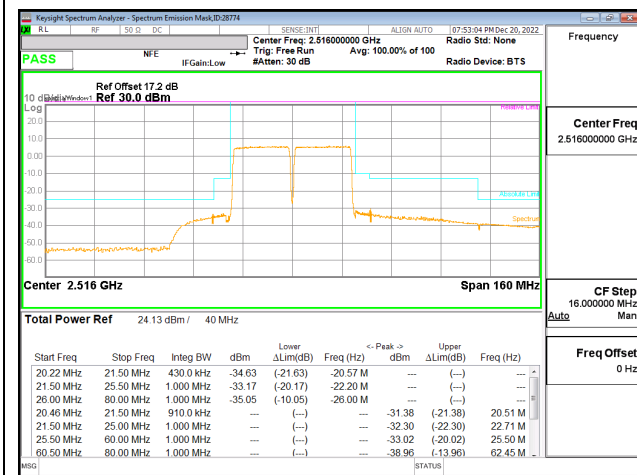
LTE B41 20MHz + 20MHz 16QAM Mid Ch RB1-0 + RB1-99



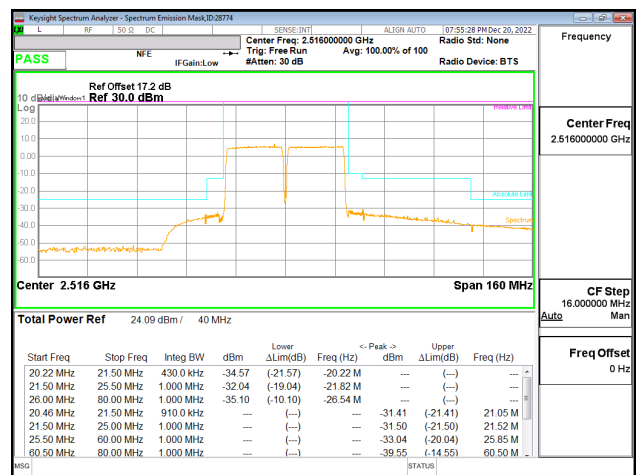
LTE B41 20MHz + 20MHz QPSK High Ch RB1-0 + RB1-99



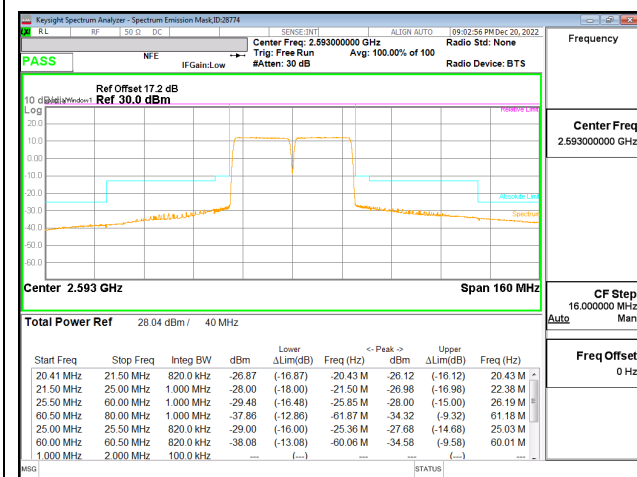
LTE B41 20MHz + 20MHz 16QAM High Ch RB1-0 + RB1-99



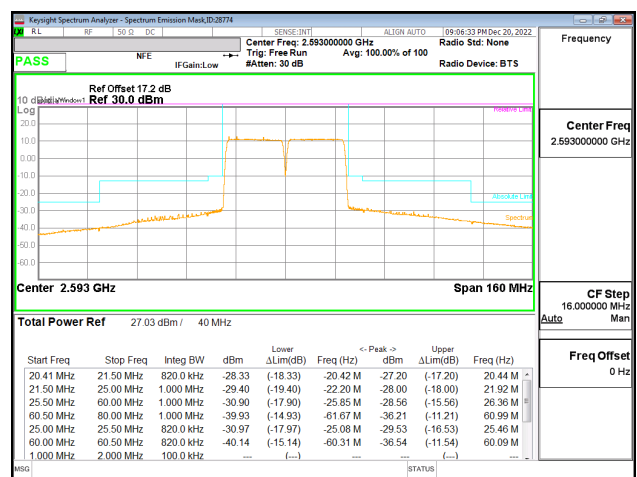
LTE B41 20MHz + 20MHz QPSK Low Ch RB100-0 + RB100-0



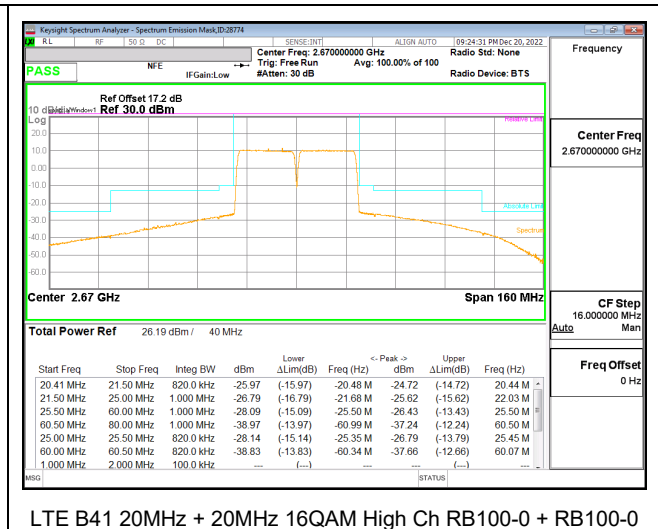
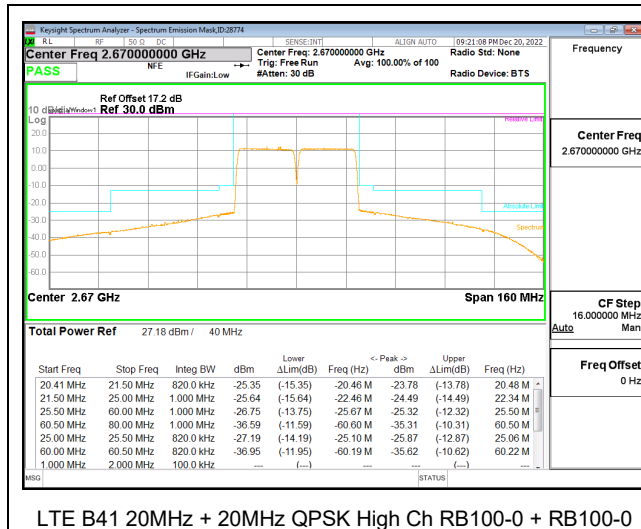
LTE B41 20MHz + 20MHz 16QAM Low Ch RB100-0 + RB100-0



LTE B41 20MHz + 20MHz QPSK Mid Ch RB100-0 + RB100-0



LTE B41 20MHz + 20MHz 16QAM Mid Ch RB100-0 + RB100-0



9.2.5. LTE BAND 48

LIMITS

FCC: §96.41

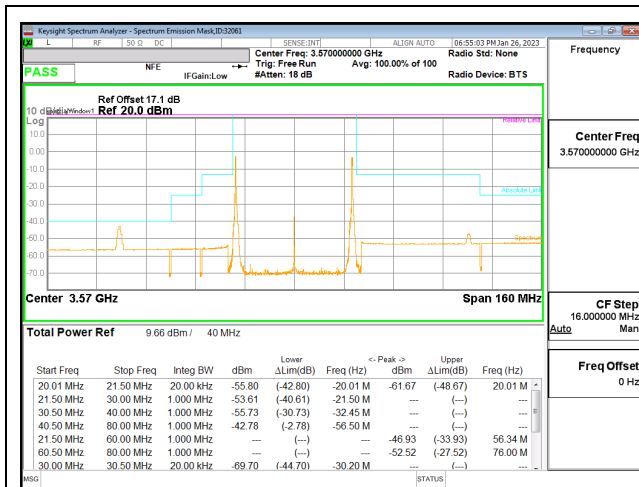
(e) 3.5 GHz Emissions and Interference Limits—

(1) General protection levels

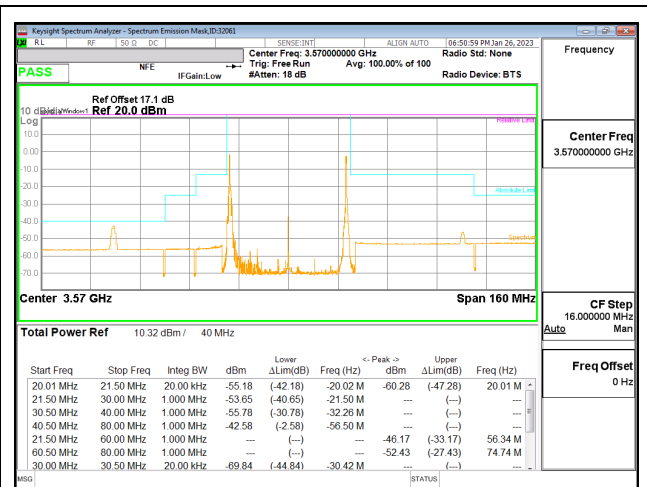
(ii) Except as otherwise specified in paragraph (e)(2) of this section, for channel and frequency assignments made by a CBSD to End User Devices, the conducted power of any End User Device emission outside the fundamental emission (whether in or outside of the authorized band) shall not exceed -13 dBm/MHz within 0 to B megahertz (where B is the bandwidth in megahertz of the assigned channel or multiple contiguous channels of the End User Device) above the upper CBSD-assigned channel edge and within 0 to B megahertz below the lower CBSD-assigned channel edge. At all frequencies greater than B megahertz above the upper CBSD assigned channel edge and less than B megahertz below the lower CBSD-assigned channel edge, the conducted power of any End User Device emission shall not exceed -25 dBm/MHz. Notwithstanding the emission limits in this paragraph, the Adjacent Channel Leakage Ratio for End User Devices shall be at least 30 dB.

(2) Additional protection levels. Notwithstanding paragraph (e)(1) of this section, for CBSDs and End User Devices, the conducted power of emissions below 3540 MHz or above 3710 MHz shall not exceed -25 dBm/MHz, and the conducted power of emissions below 3530 MHz or above 3720 MHz shall not exceed -40 dBm/MHz.
licensees.

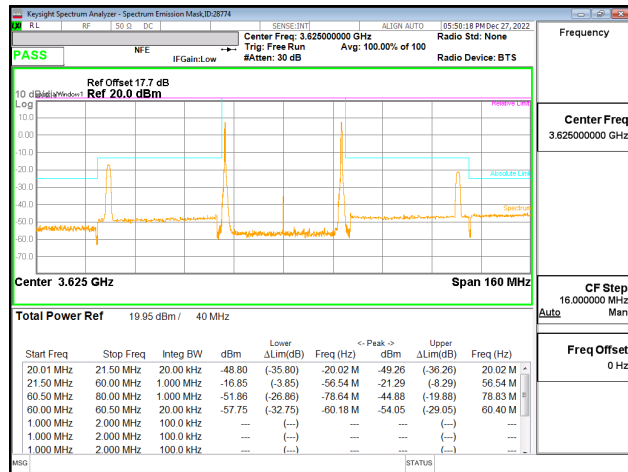
LTE BAND 48 EMISSION MASK



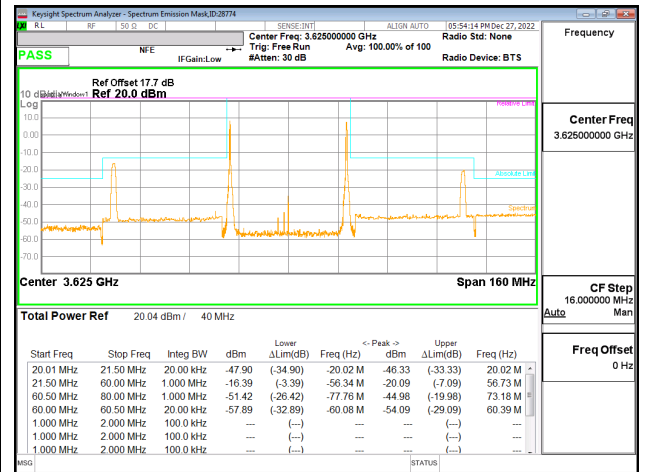
LTE B48 20MHz + 20MHz QPSK Low Ch RB1-0 + RB1-99



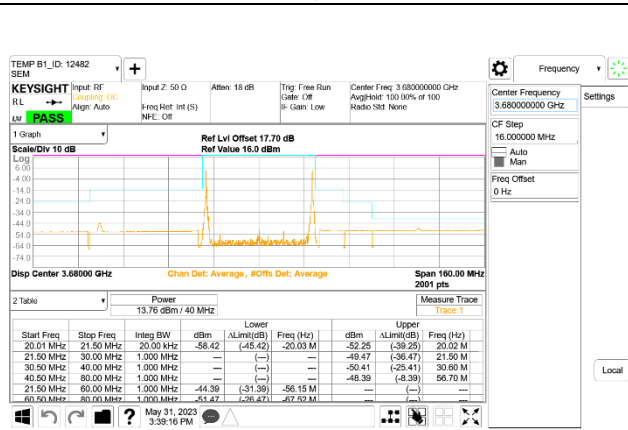
LTE B48 20MHz + 20MHz 16QAM Low Ch RB1-0 + RB1-99



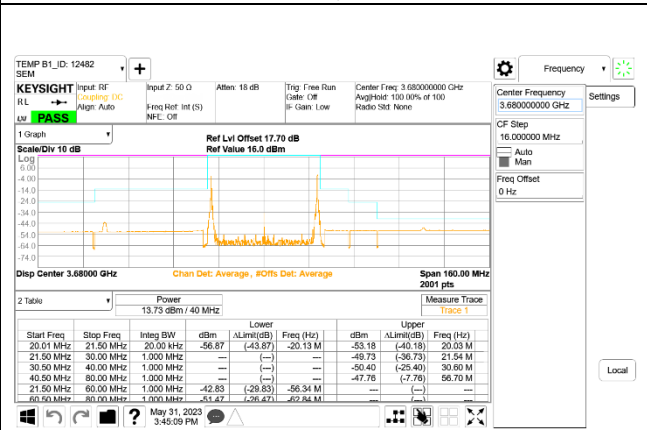
LTE B48 20MHz + 20MHz QPSK Mid Ch RB1-0 + RB1-99



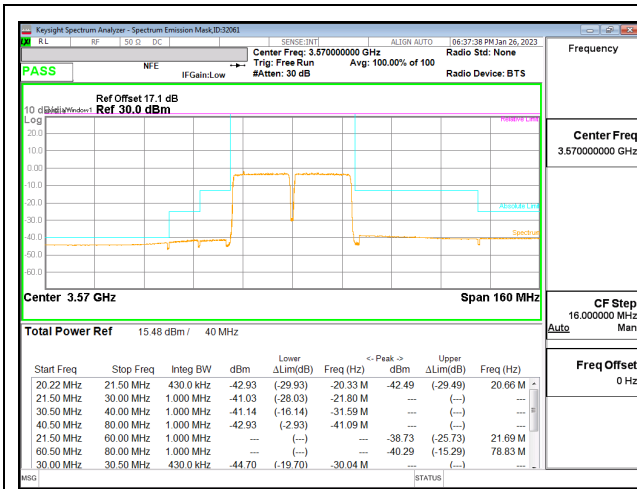
LTE B48 20MHz + 20MHz 16QAM Mid Ch RB1-0 + RB1-99



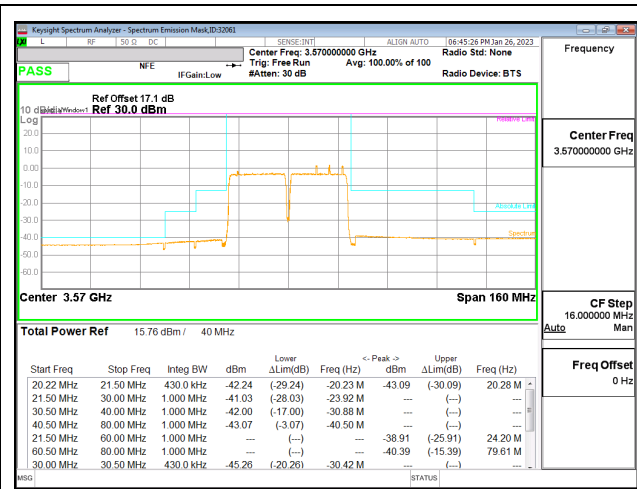
LTE B48 20MHz + 20MHz QPSK High Ch RB1-0 + RB1-99



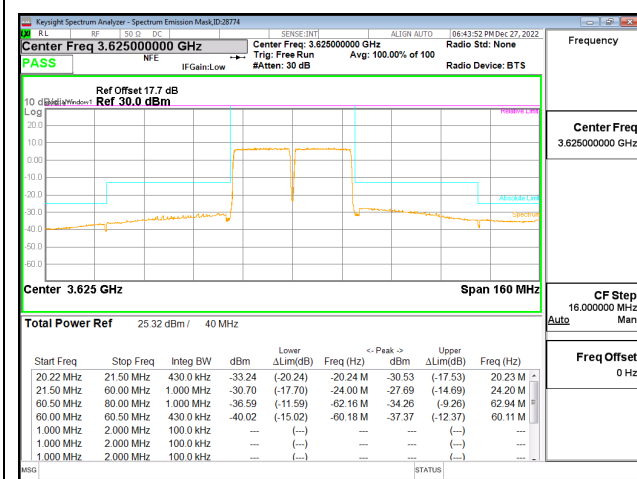
LTE B48 20MHz + 20MHz 16QAM High Ch RB1-0 + RB1-99



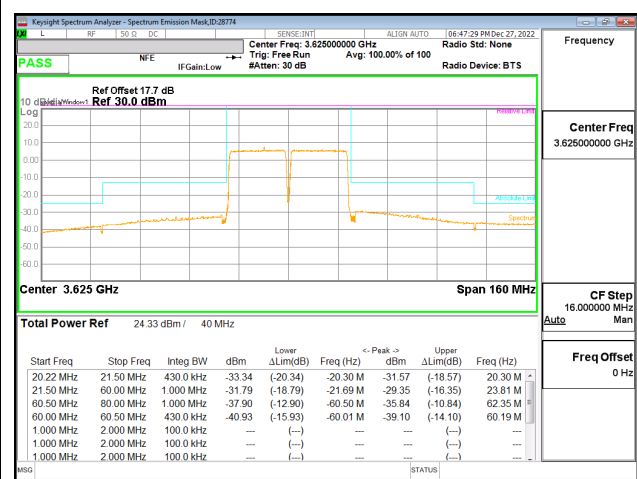
LTE B48 20MHz + 20MHz QPSK Low Ch RB100-0 + RB100-0



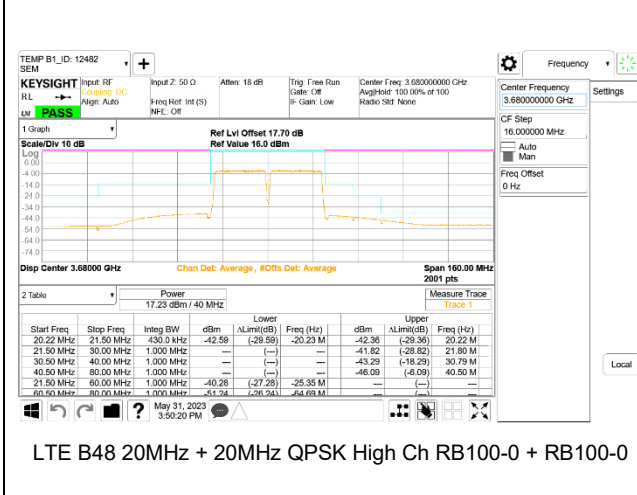
LTE B48 20MHz + 20MHz 16QAM Low Ch RB100-0 + RB100-0



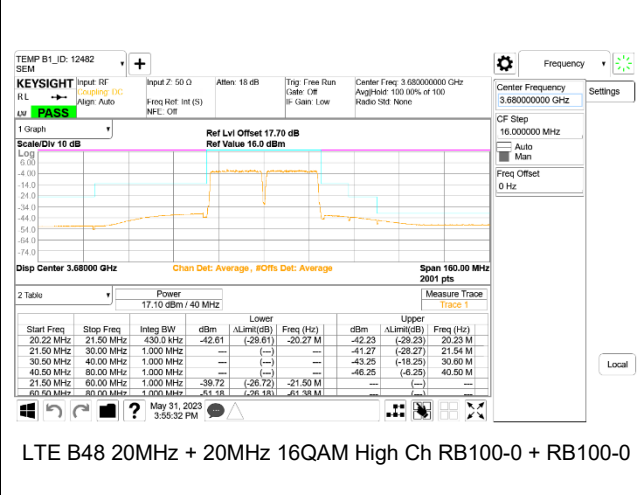
LTE B48 20MHz + 20MHz QPSK Mid Ch RB100-0 + RB100-0



LTE B48 20MHz + 20MHz 16QAM Mid Ch RB100-0 + RB100-0

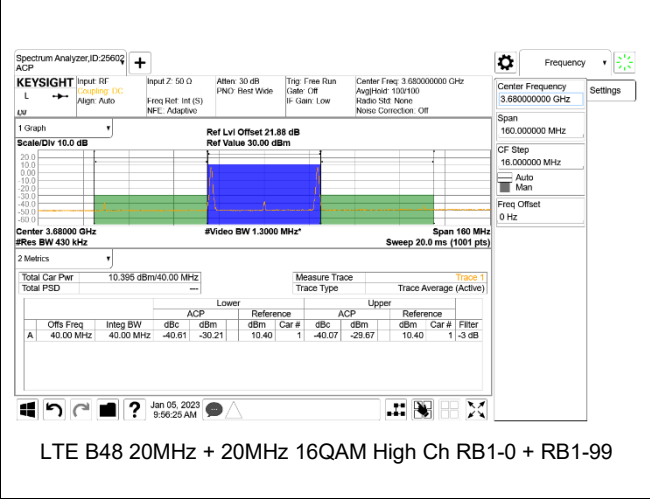
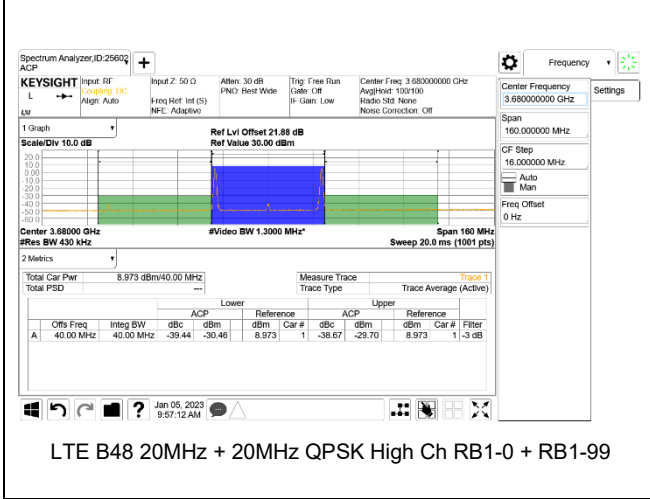
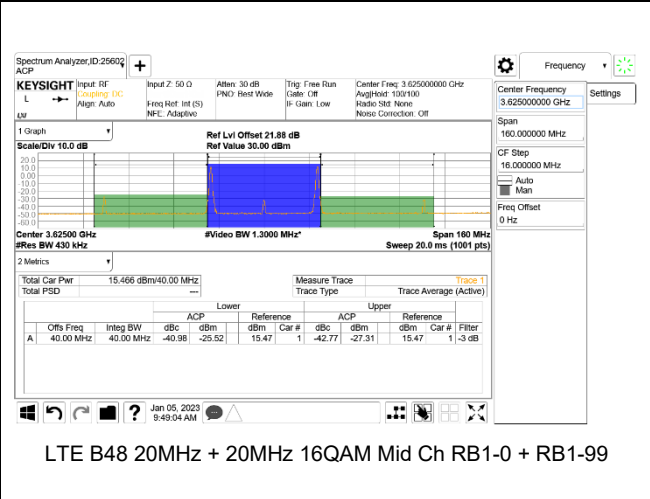
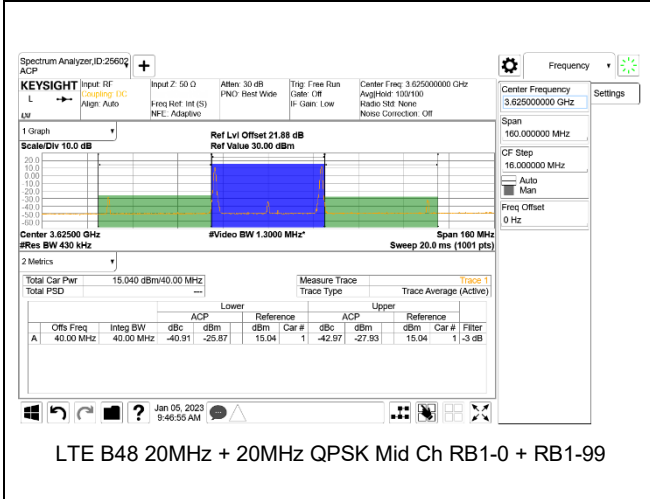
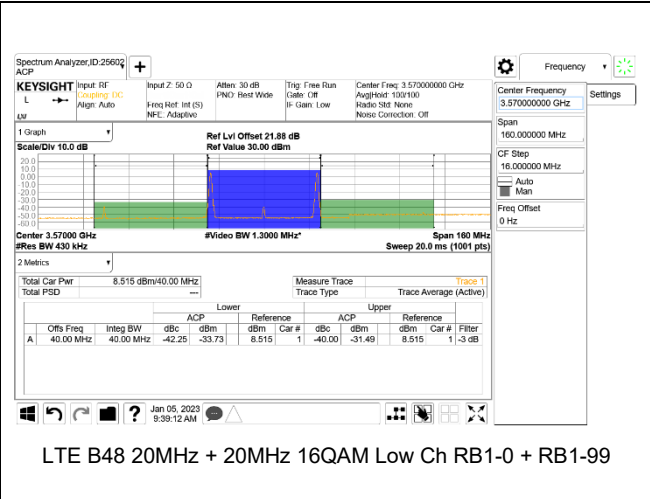
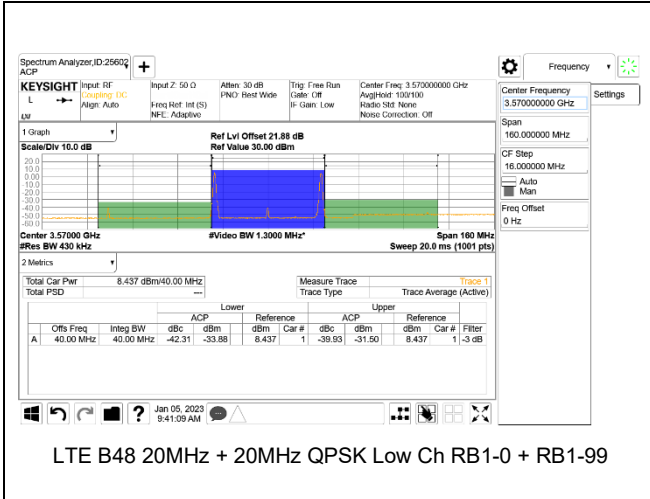


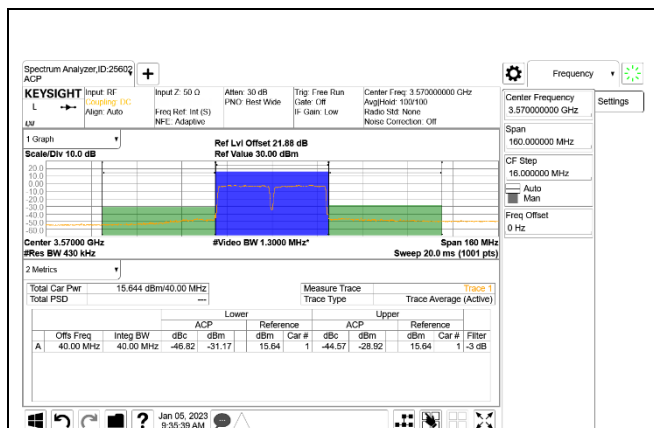
LTE B48 20MHz + 20MHz QPSK High Ch RB100-0 + RB100-0



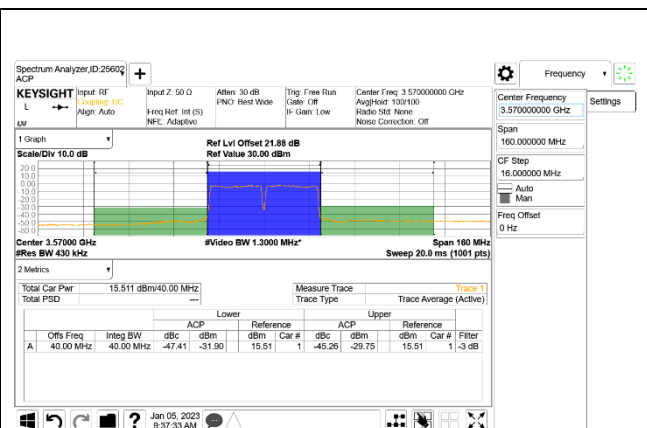
LTE B48 20MHz + 20MHz 16QAM High Ch RB100-0 + RB100-0

LTE BAND 48 ADJACENT CHANNEL POWER

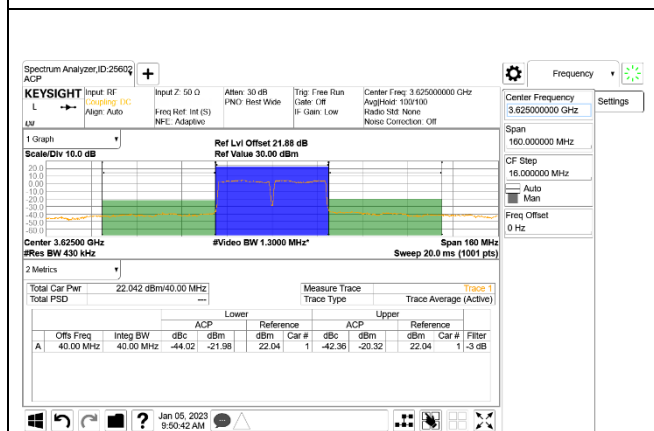




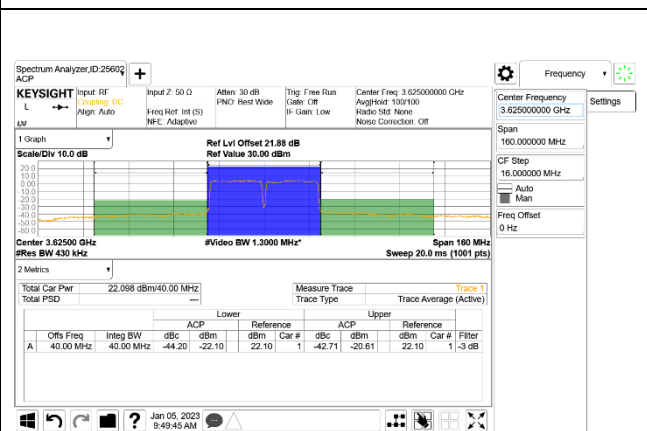
LTE B48 20MHz + 20MHz QPSK Low Ch RB100-0 + RB100-0



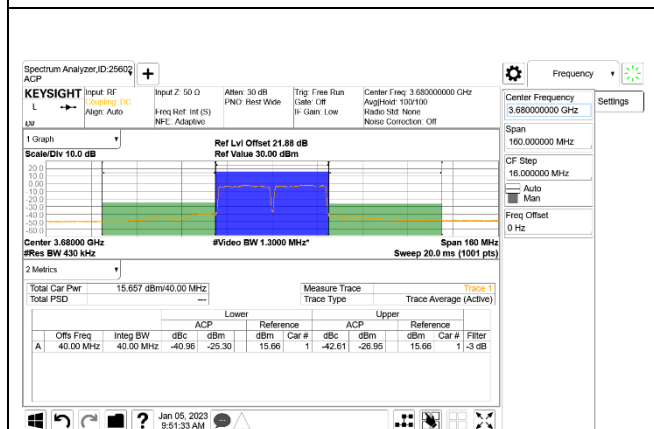
LTE B48 20MHz + 20MHz 16QAM Low Ch RB100-0 + RB100-0



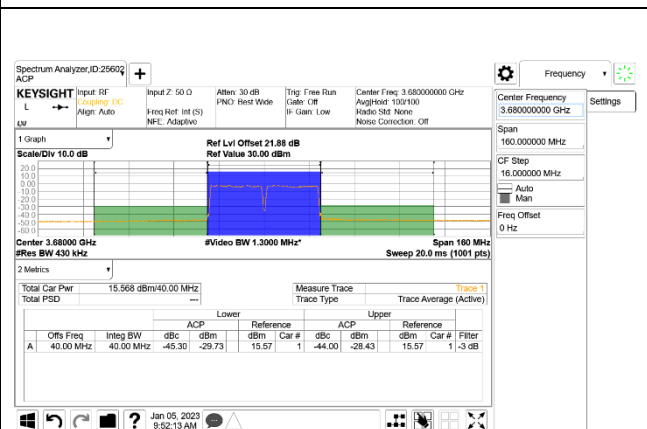
LTE B48 20MHz + 20MHz QPSK Mid Ch RB100-0 + RB100-0



LTE B48 20MHz + 20MHz 16QAM Mid Ch RB100-0 + RB100-0



LTE B48 20MHz + 20MHz QPSK High Ch RB100-0 + RB100-0



LTE B48 20MHz + 20MHz 16QAM High Ch RB100-0 + RB100-0

9.3 OUT OF BAND EMISSIONS

TEST PROCEDURE

The RF output of the transmitter was connected to a spectrum analyzer through a calibrated coaxial cable. Sufficient scans were taken to show the out-of-band Emissions, if any, up to 10th harmonic. Multiple sweeps were recorded in maximum hold mode using a peak detector to ensure that the worst-case emissions were caught.

For each out of band emissions measurement:

- Set display line at -13 dBm to band 5 and -25 dBm to band 7 and 41
- Set RBW & VBW to 100 kHz for the measurement below 1 GHz, and 1 MHz for the measurement above 1 GHz.
(NOTE: Worst case set RBW/VBW to 1MHz/3MHz)

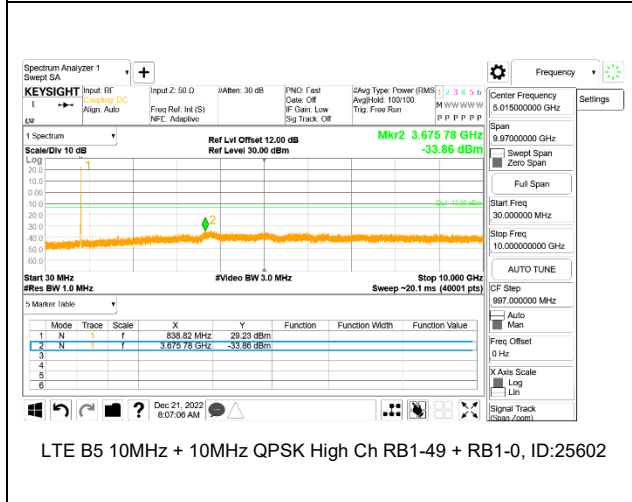
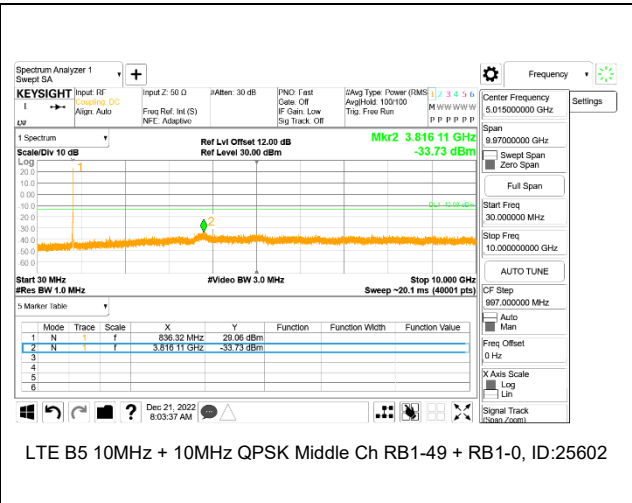
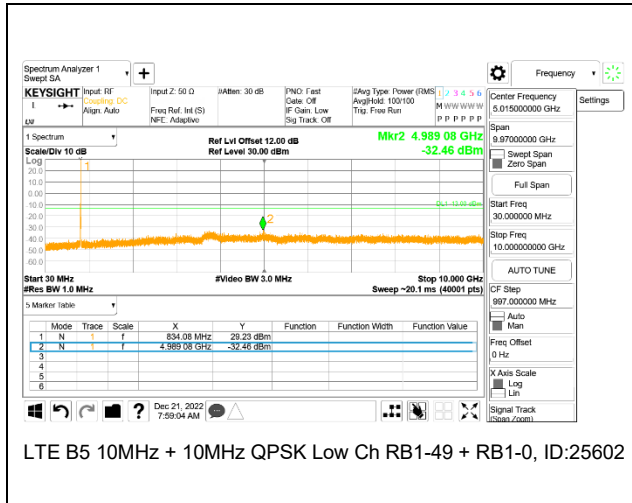
RESULTS

9.3.1. LTE BAND 5

LIMITS

FCC: §22.917

The minimum permissible attenuation level of any spurious emissions is $43 + 10 \log(P)$ dB where transmitting power (P) in Watts.

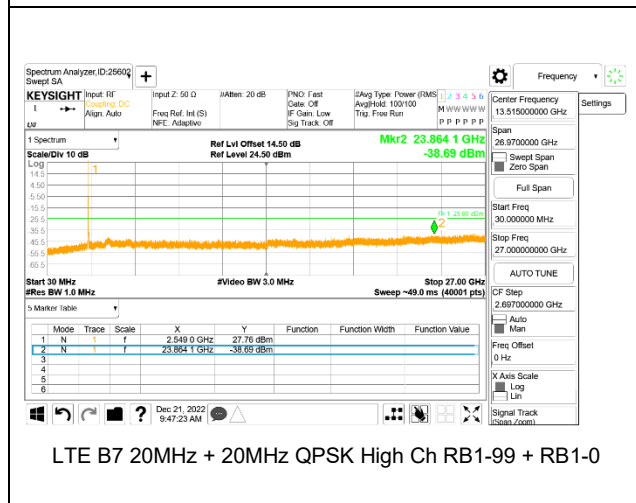
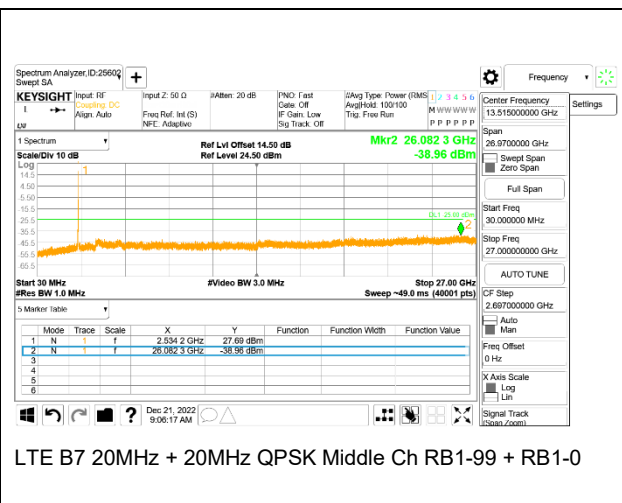
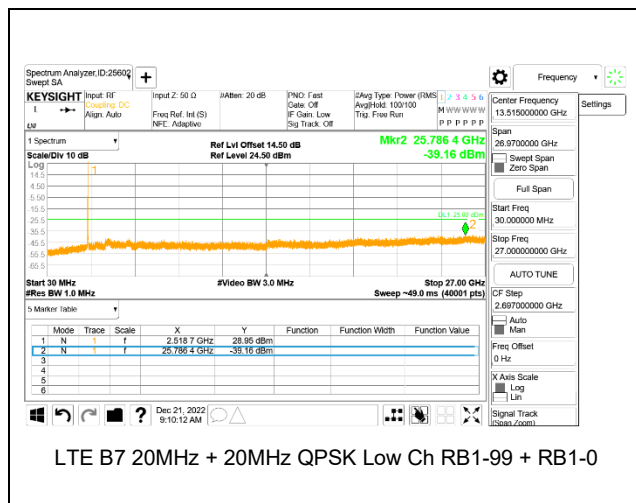


9.3.2. LTE BAND 7

LIMITS

FCC: §27.53 (m)

The minimum permissible attenuation level of any spurious emissions is $55 + 10 \log (P)$ dB where transmitting power (P) in Watts.

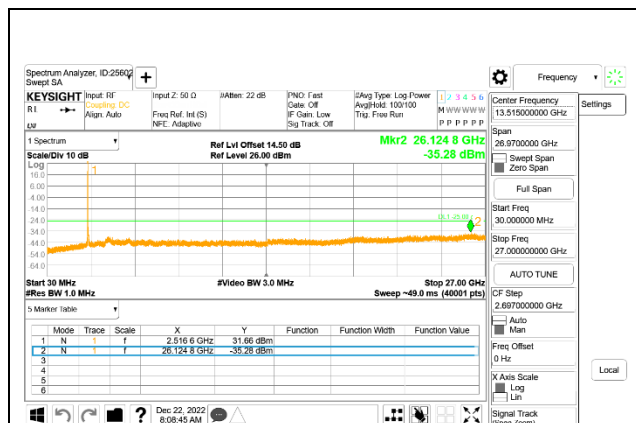


9.3.3. LTE BAND 41

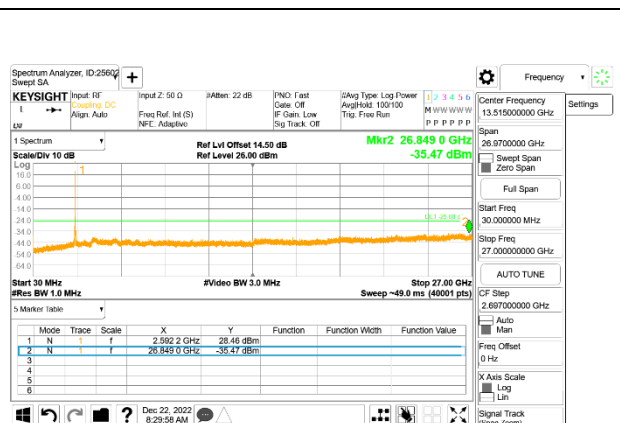
LIMITS

FCC: §27.53 (m)

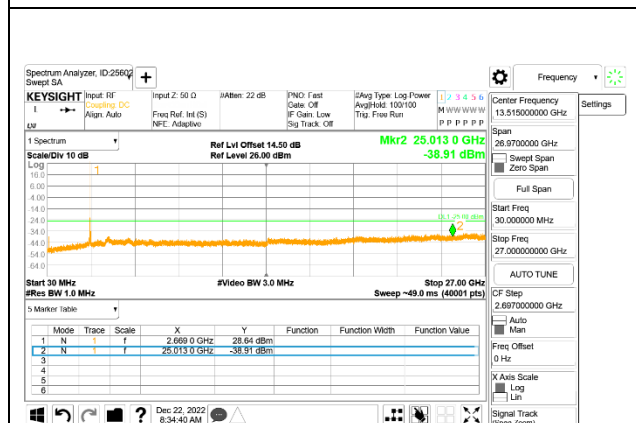
The minimum permissible attenuation level of any spurious emissions is $55 + 10 \log (P)$ dB where transmitting power (P) in Watts.



LTE B41 20MHz + 20MHz QPSK Low Ch RB1-99 + RB1-0



LTE B41 20MHz + 20MHz QPSK Middle Ch RB1-99 + RB1-0



LTE B41 20MHz + 20MHz QPSK High Ch RB1-99 + RB1-0

9.3.4. LTE BAND 48

LIMITS

FCC: §96.41

(e) 3.5 GHz Emissions and Interference Limits—

(2) Additional protection levels. Notwithstanding paragraph (e)(1) of this section, for CBSDs and End User Devices, the conducted power of emissions below 3540 MHz or above 3710 MHz shall not exceed -25 dBm/MHz, and the conducted power of emissions below 3530 MHz or above 3720 MHz shall not exceed -40dBm/MHz.