

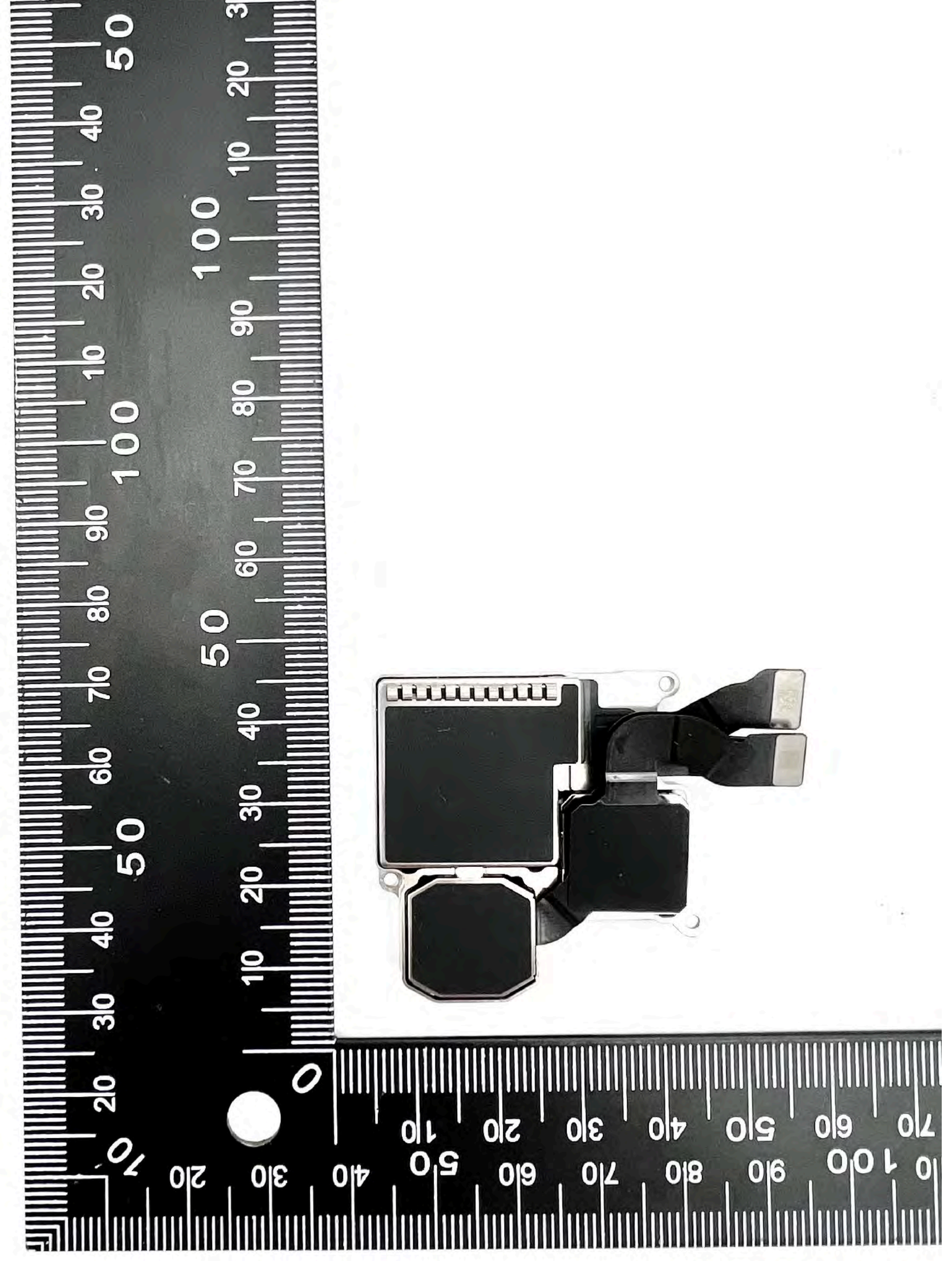
A2848

Touch Screen Assembly, Earpiece, Microphone - Back



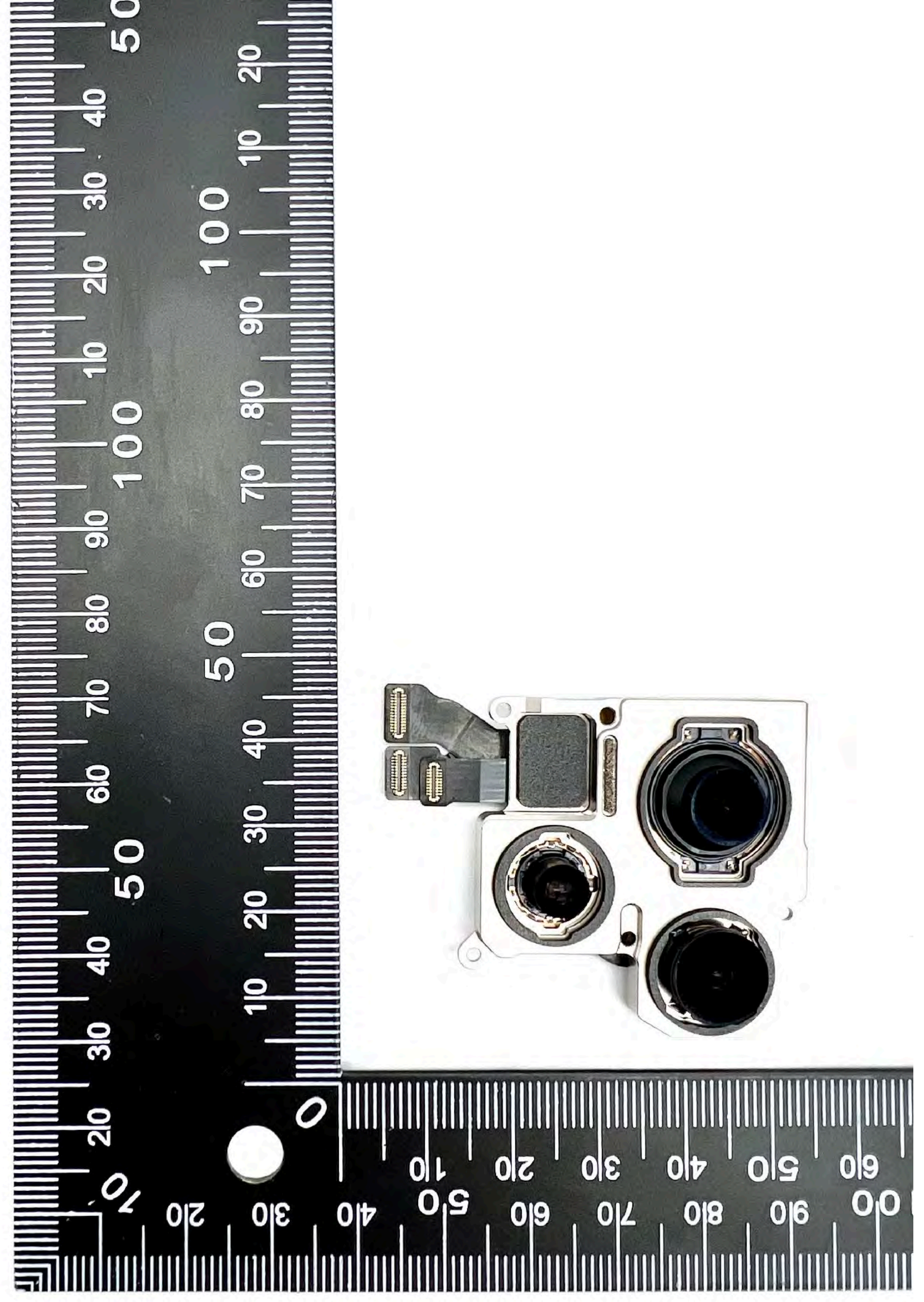
A2848

Rear Camera - Back



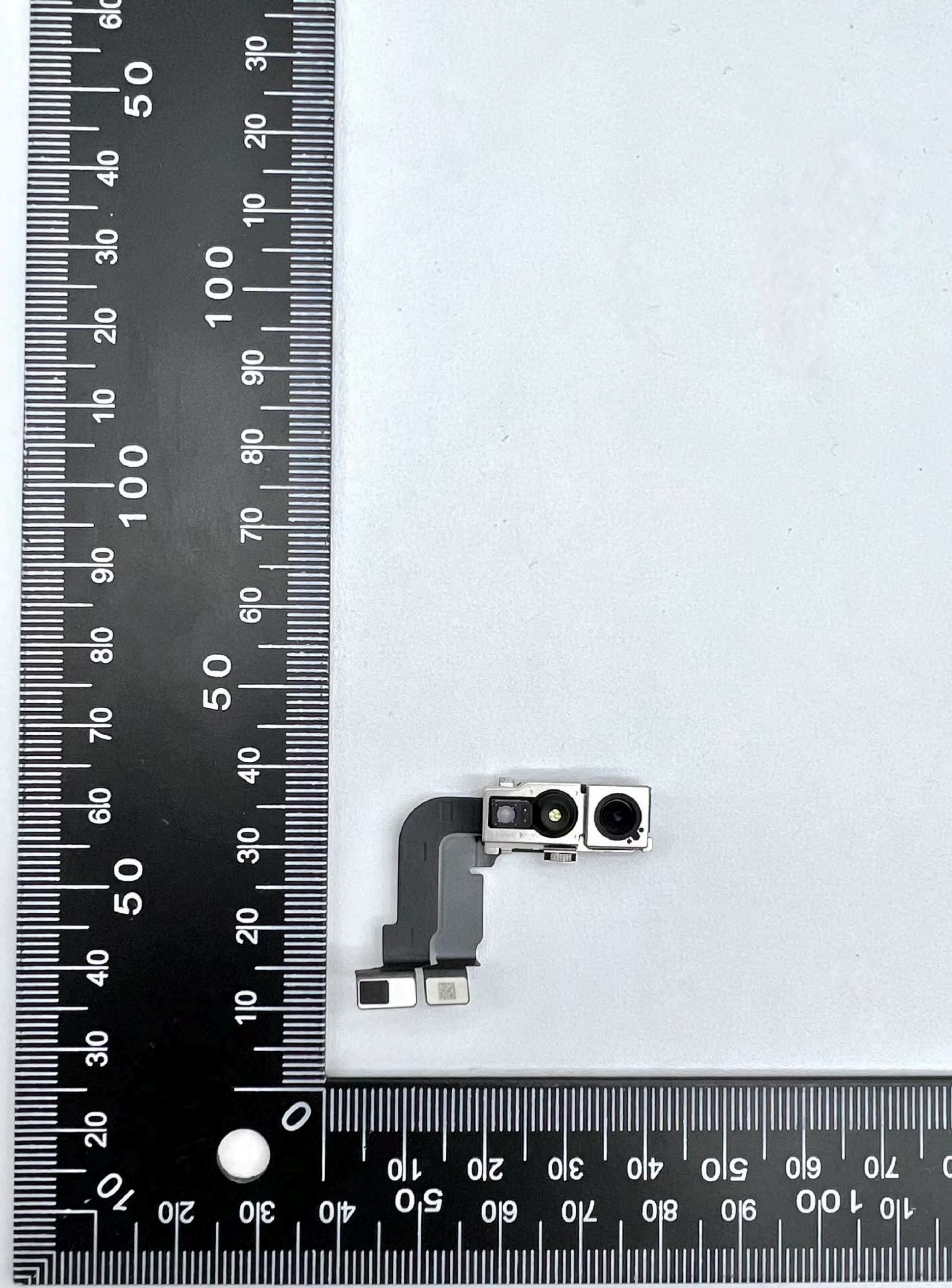
A2848

Rear Camera - Front



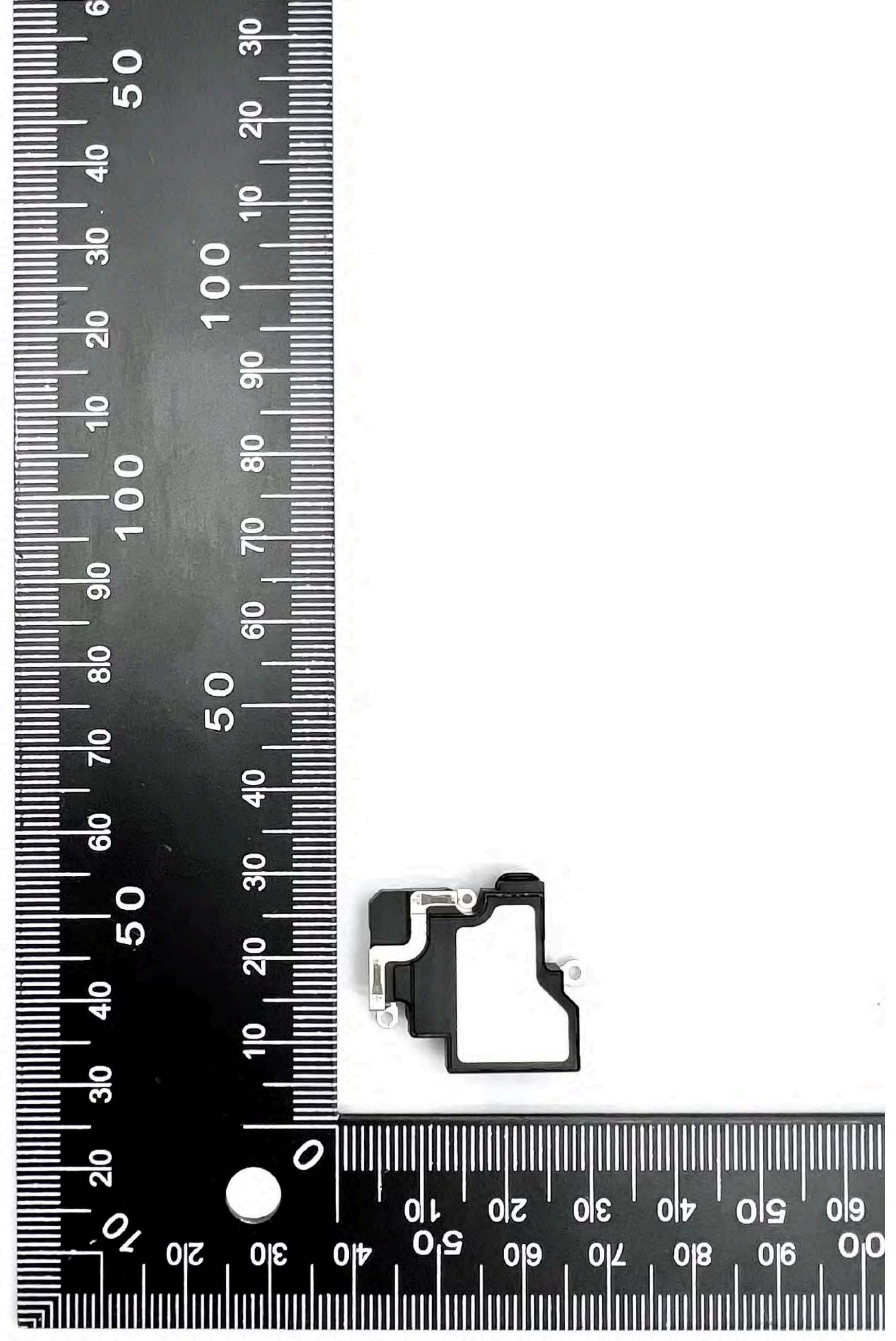
A2848

Flex Assembly with Proximity Sensor,
Microphone and FaceTime Camera -
Front



A2848

Top Speaker - Front



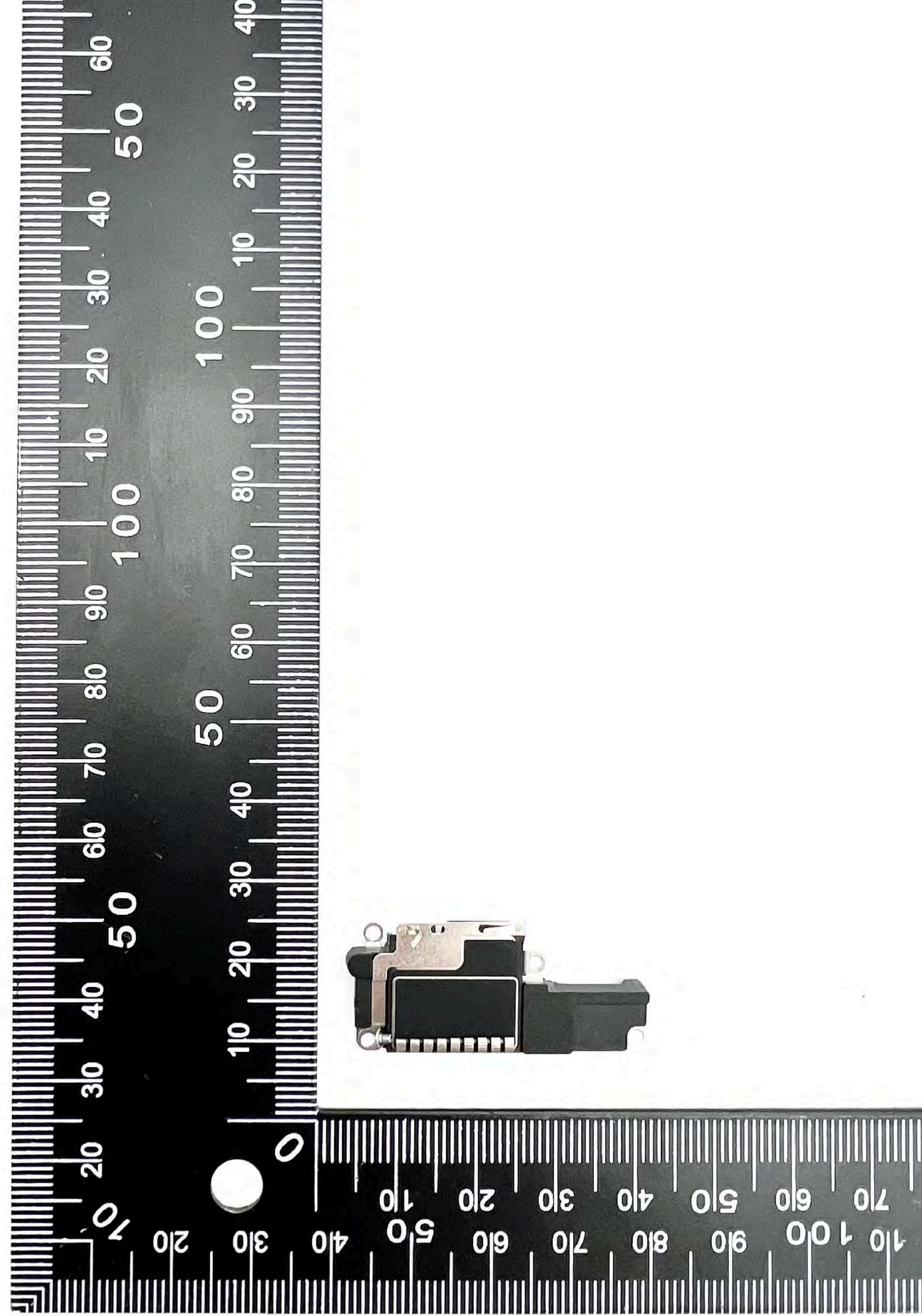
A2848

Top Speaker - Back



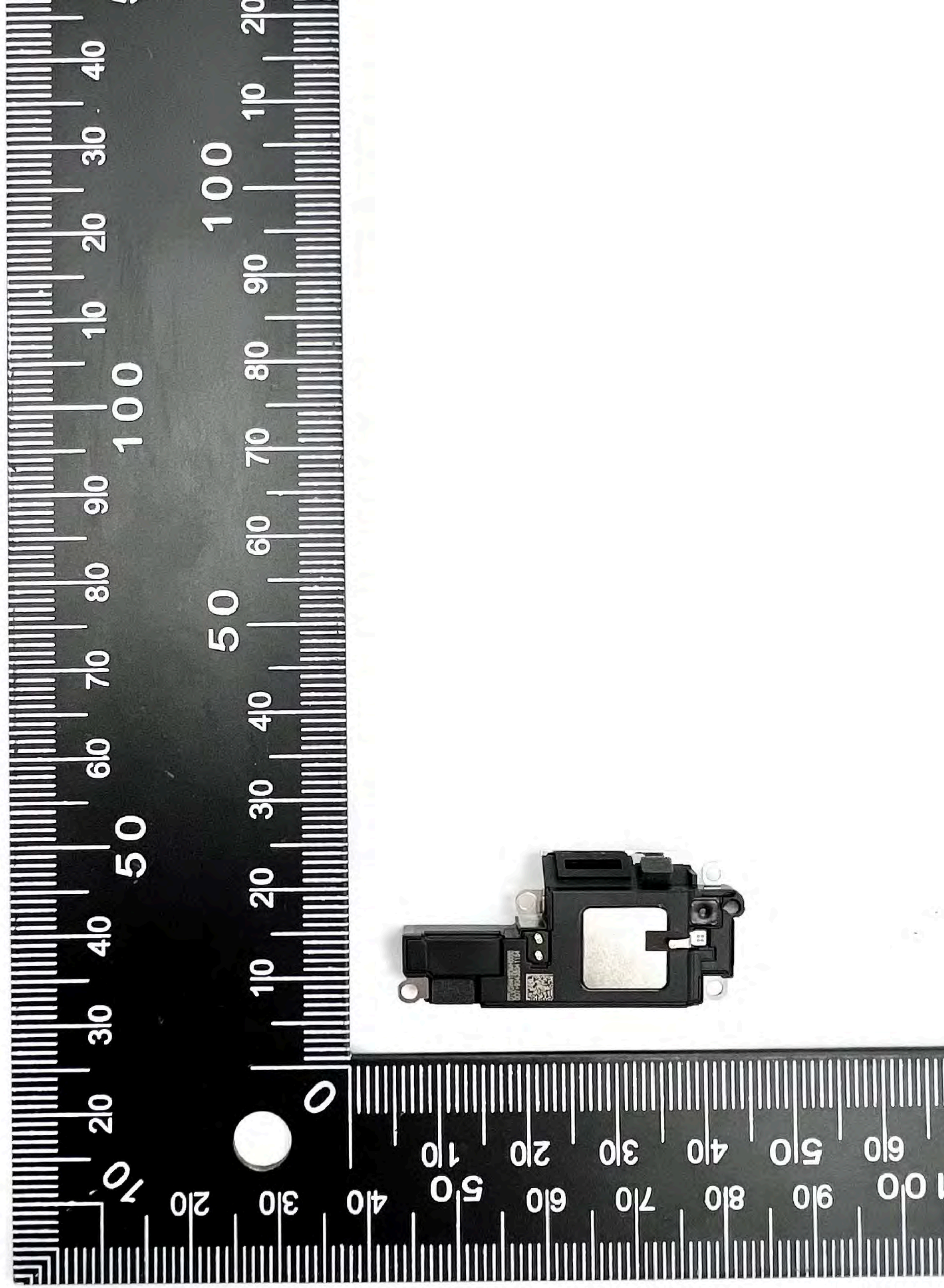
A2848

Bottom Speaker - Front



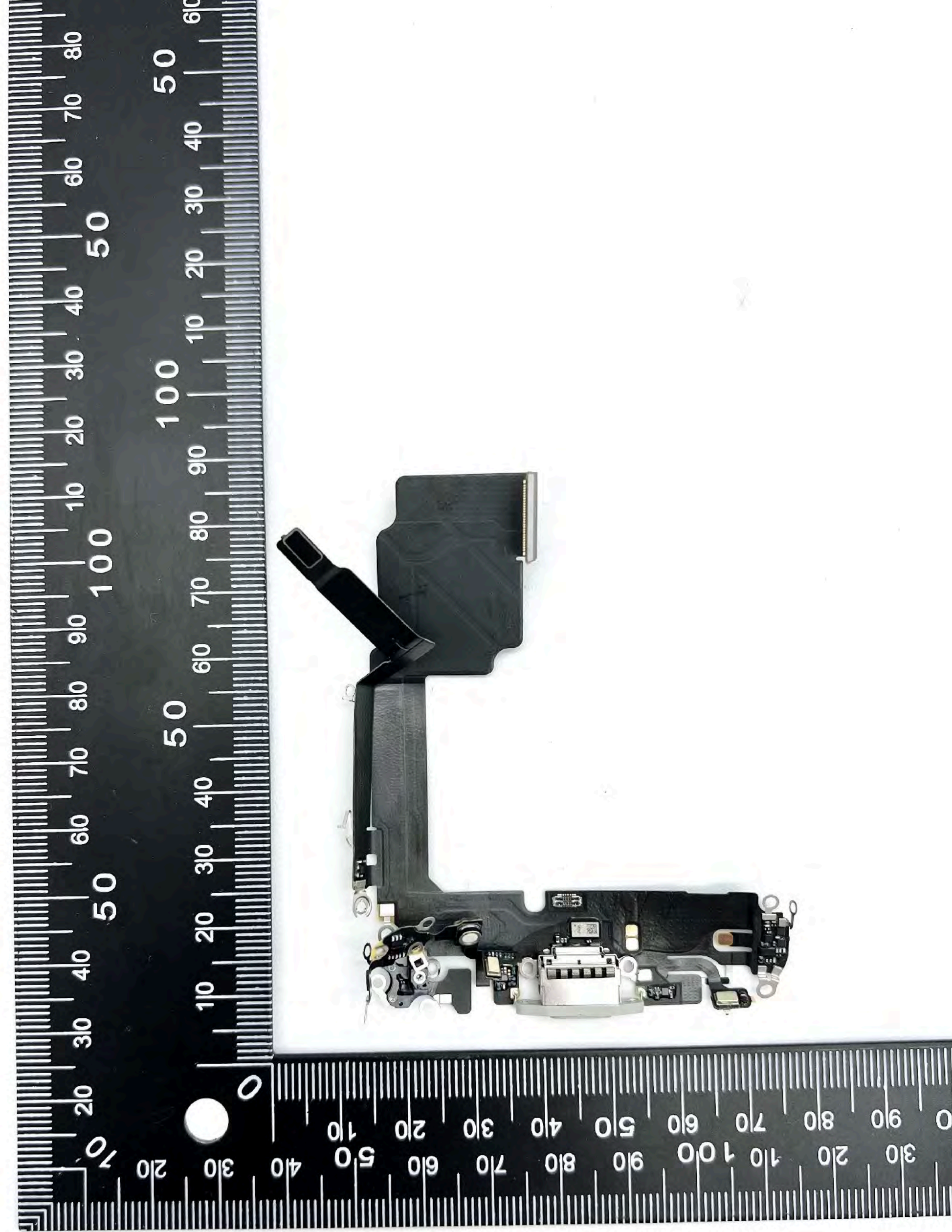
A2848

Bottom Speaker - Back



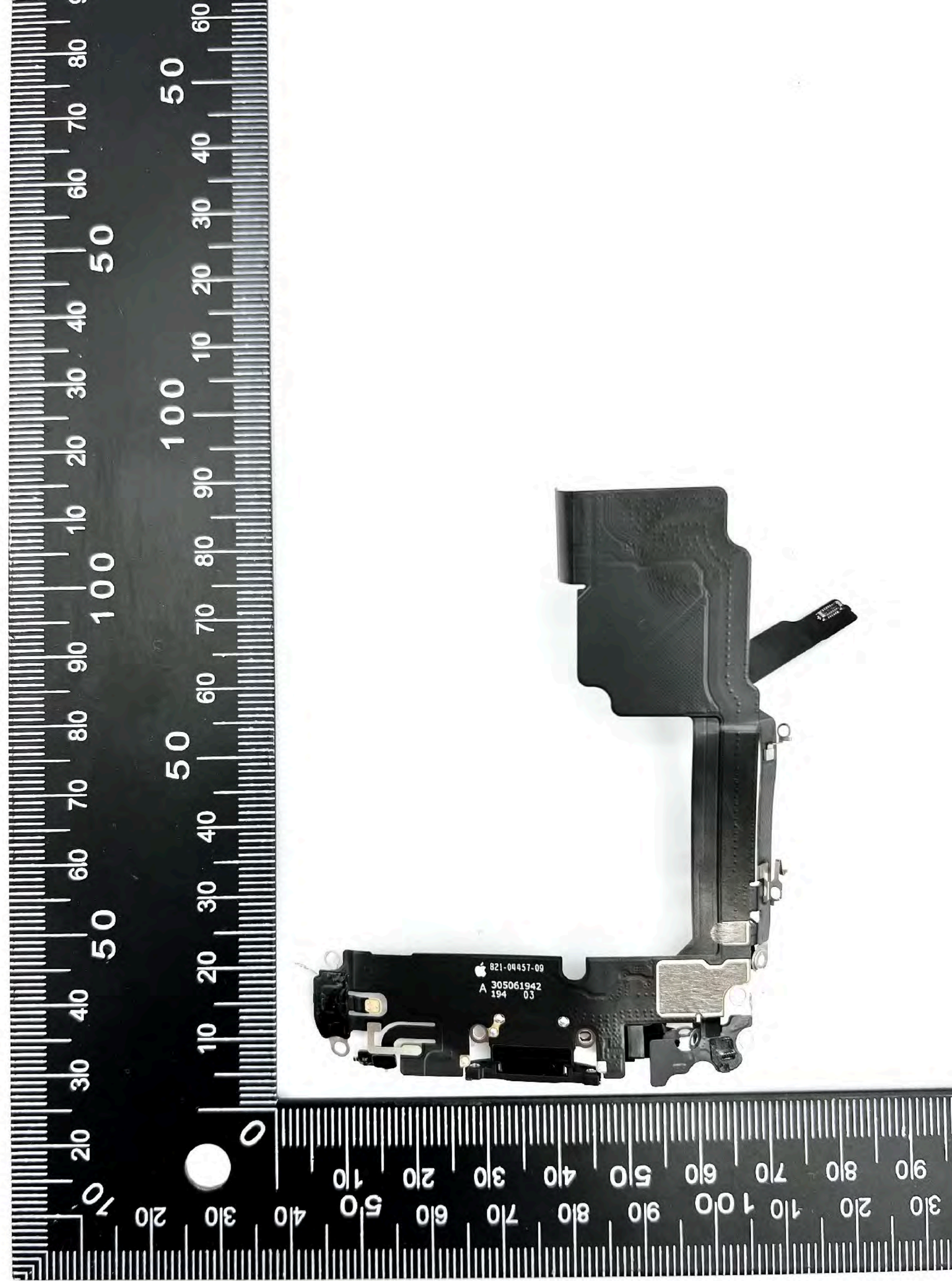
A2848

Flex Assembly with USB-C
Connector, Microphone, ANT5,
ANT3, ANT1, ANT 7, ANT 9 - Front



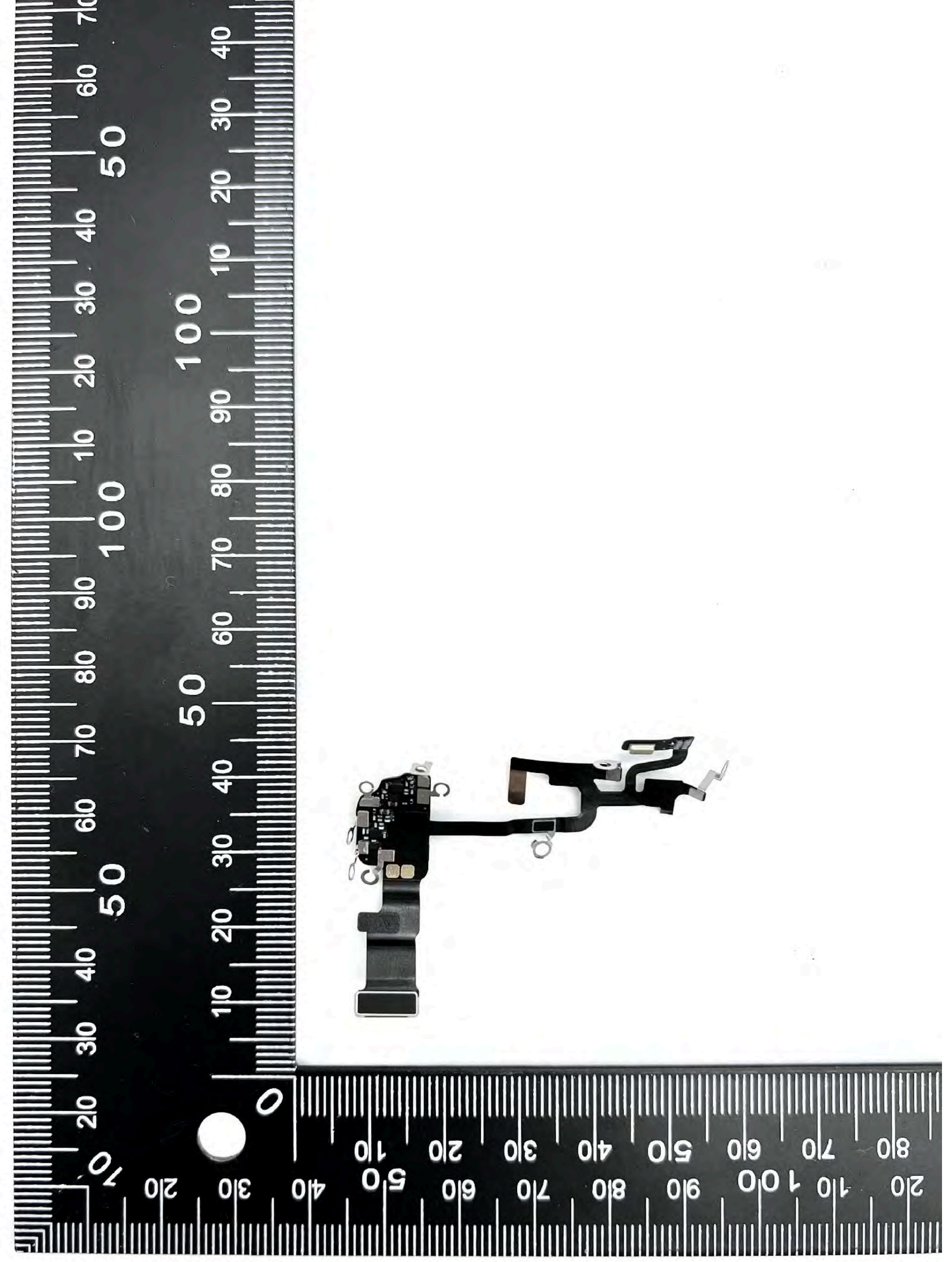
A2848

Flex Assembly with USB-C
Connector, Microphone, ANT5,
ANT3, ANT1, ANT 7, ANT 9 - Back



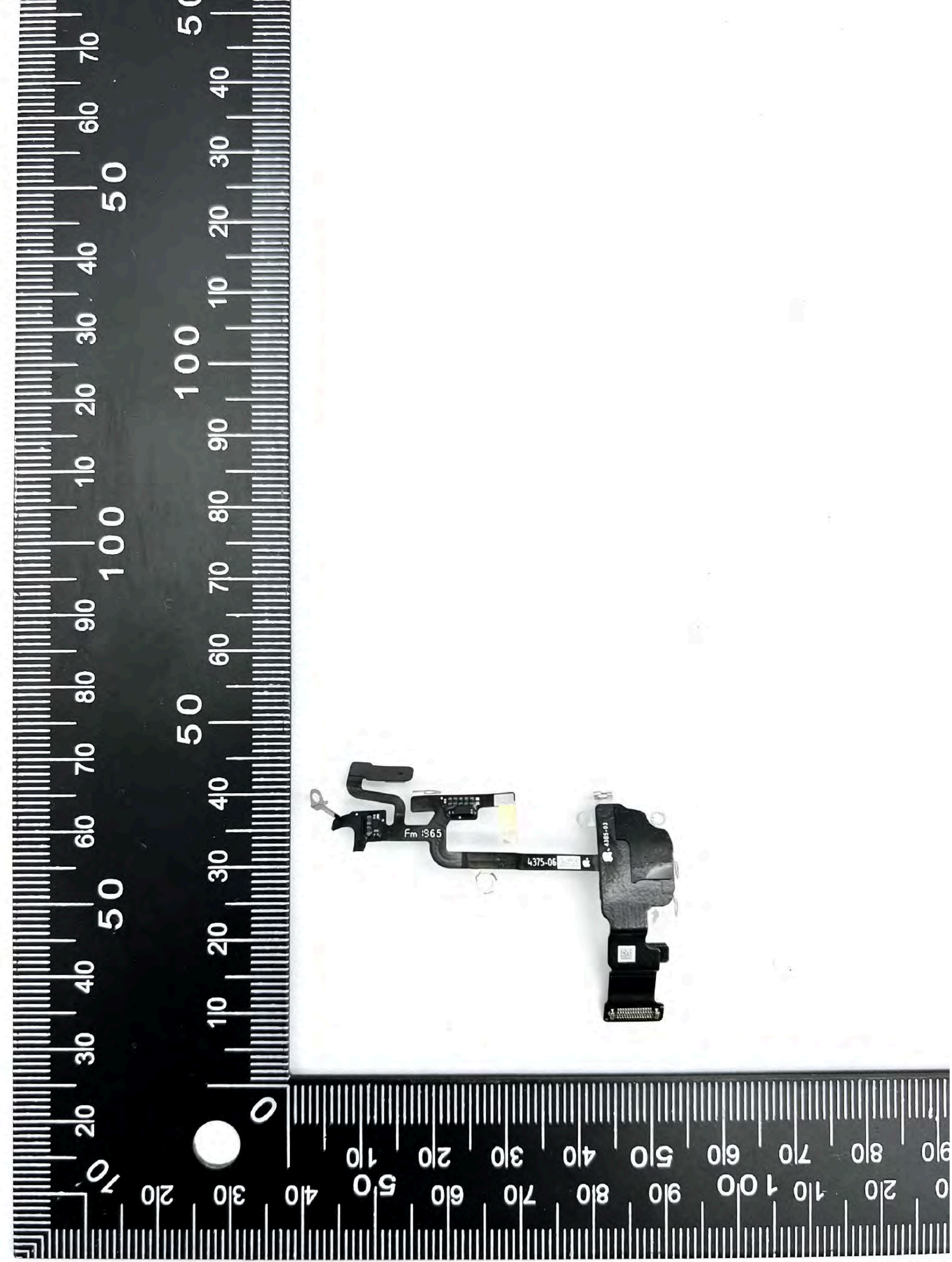
A2848

Flex Assembly with ANT2, ANT8,
ANT10, ANT 6/Shared UWBO -
Front



A2848

Flex Assembly with ANT2, ANT8,
ANT10, ANT 6/Shared UWBO - Back



A2848

ANT M3 mmWave - Front



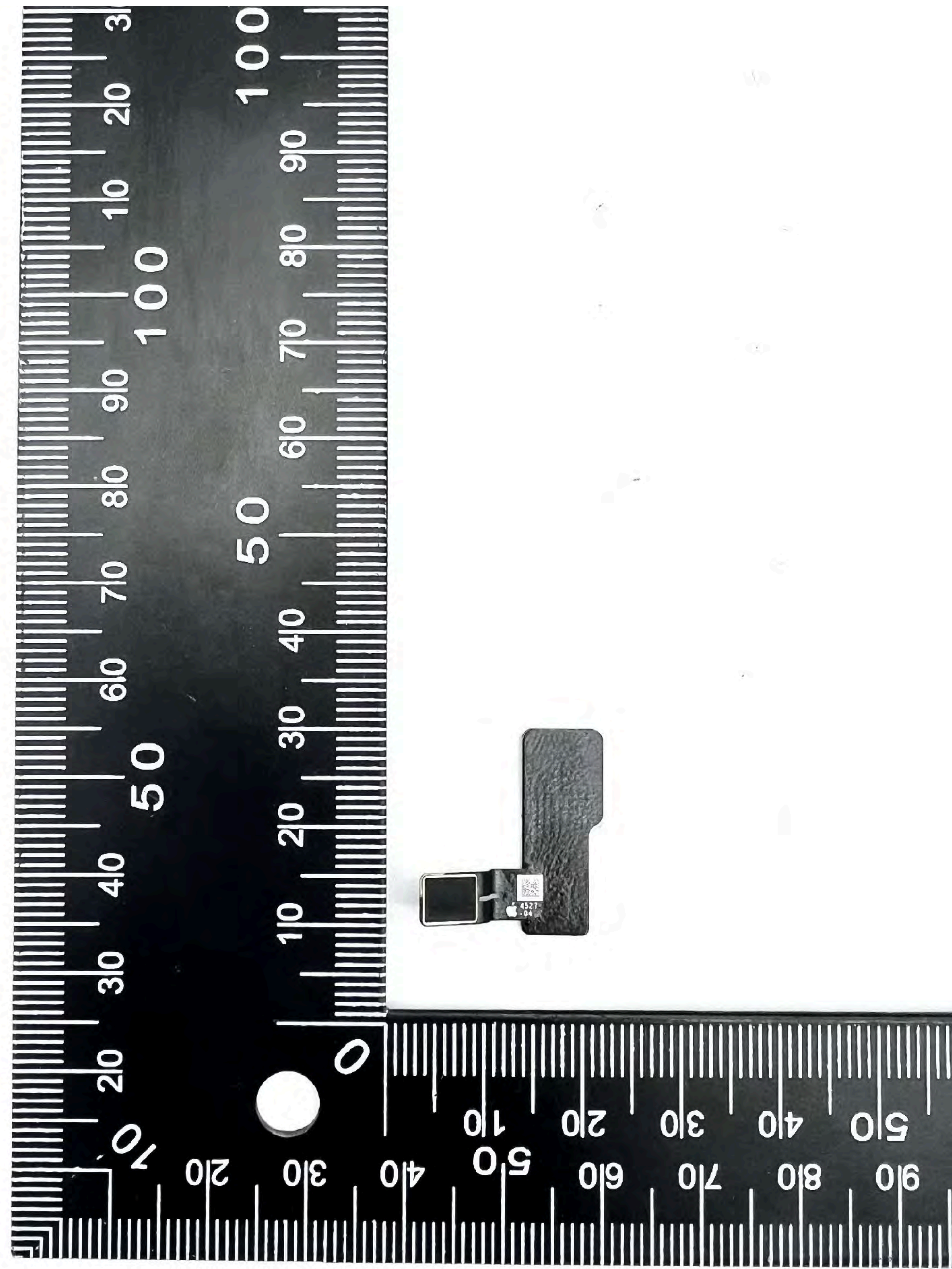
A2848

ANT M3 mmWave - Back



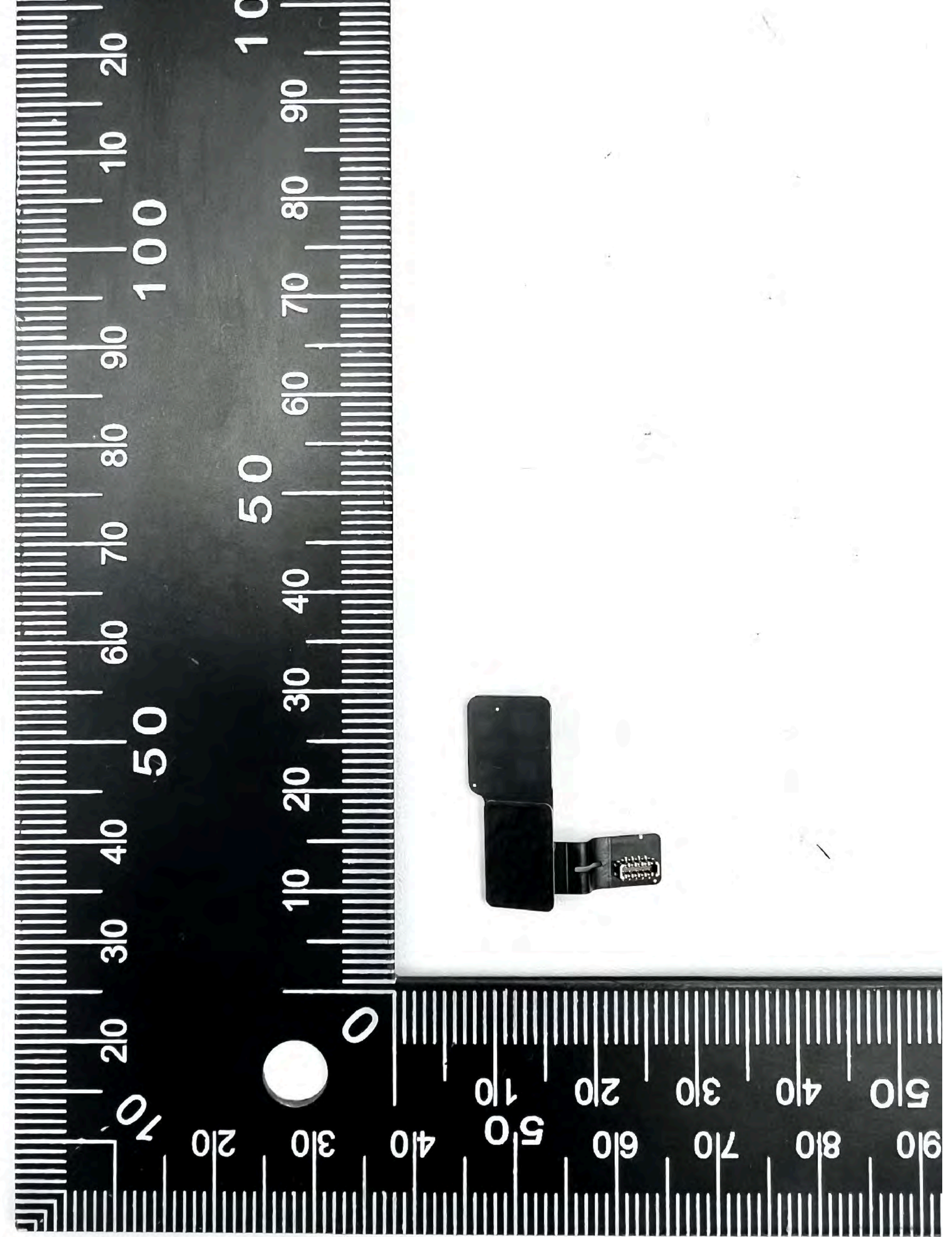
A2848

ANT M1 mmWave, UWB 1 - Front



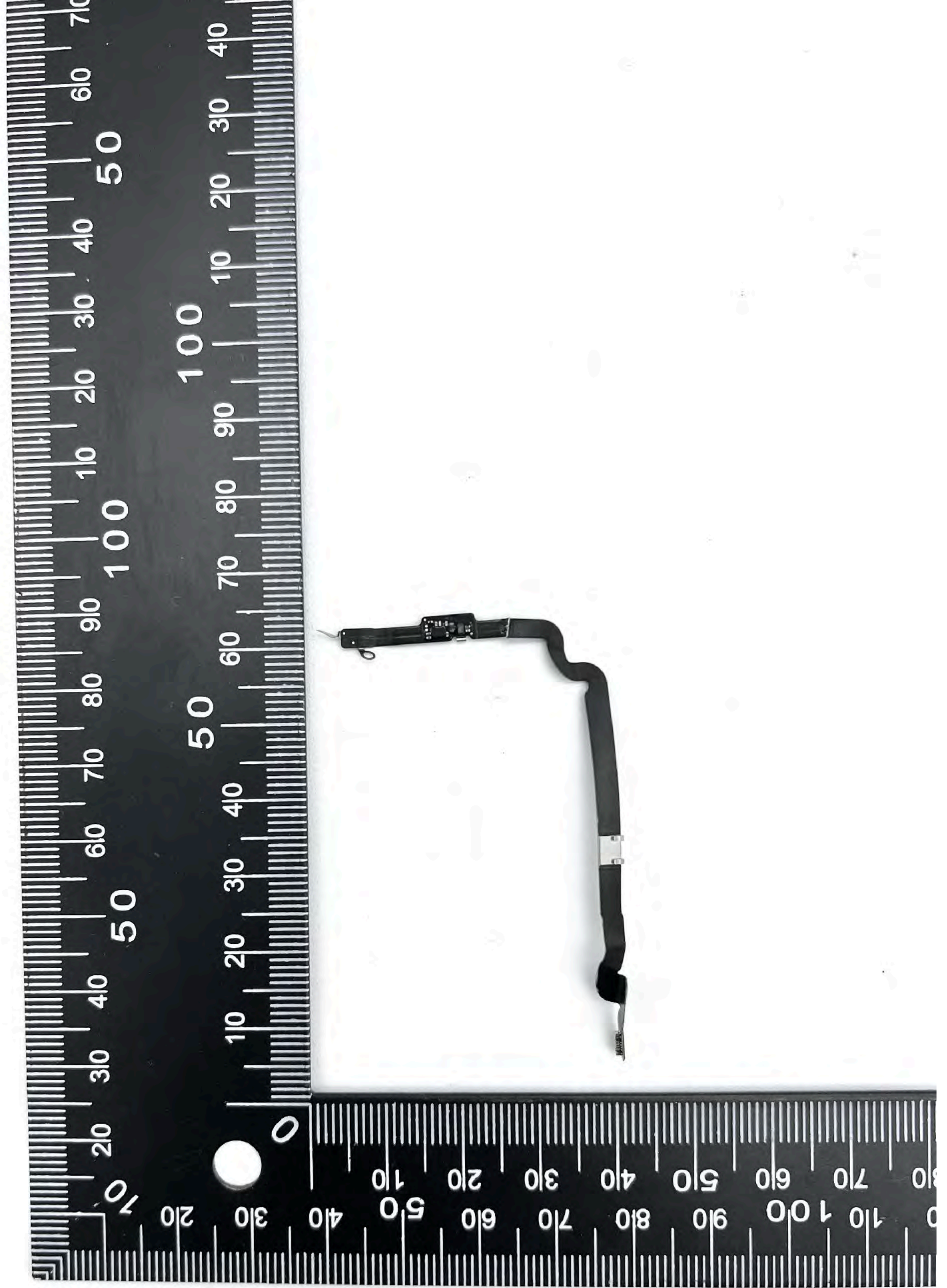
A2848

ANT M1 mmWave, UWB 1 - Back



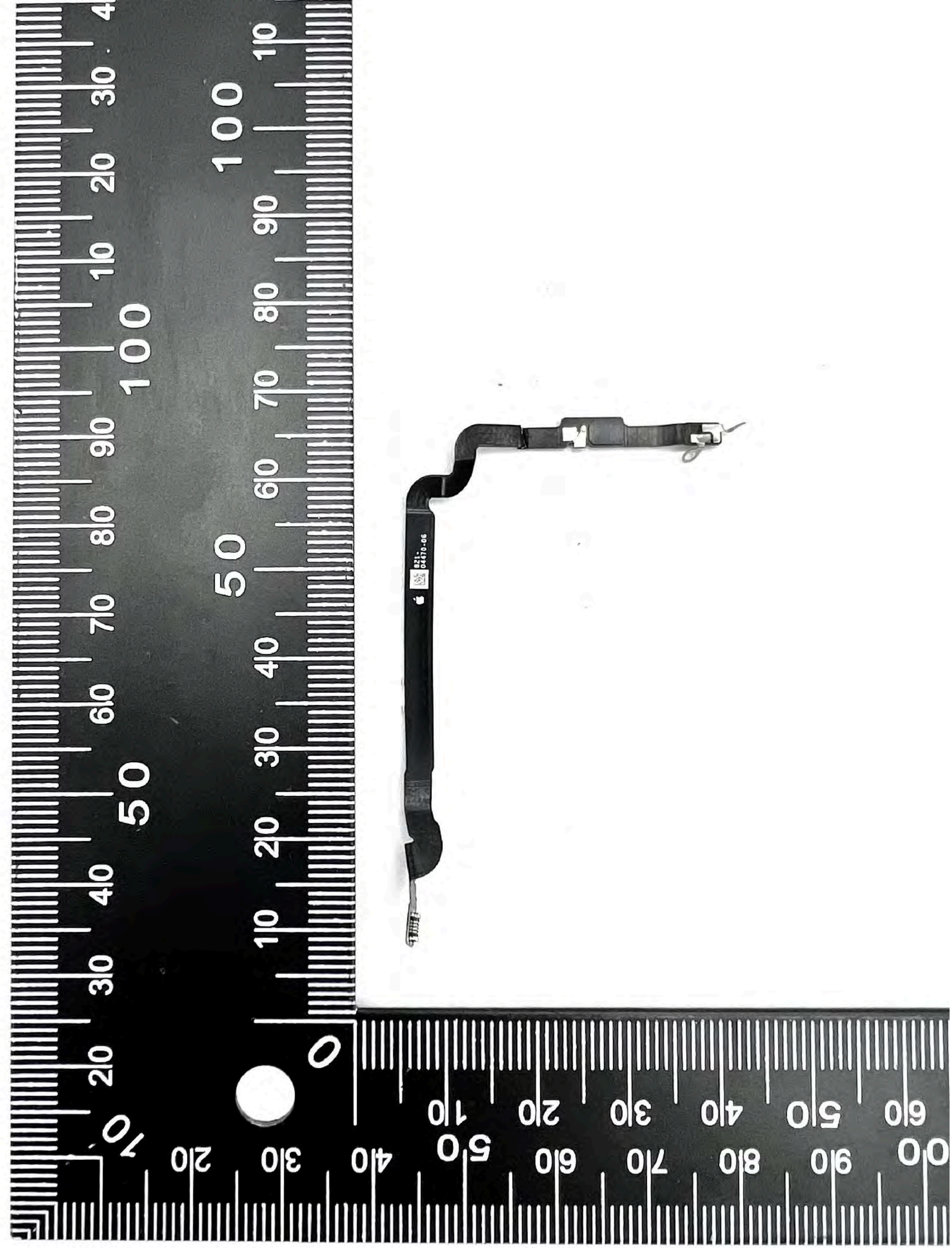
A2848

Flex Assembly with ANT4 - Front



A2848

Flex Assembly with ANT4 - Back



A2848

Battery - Front

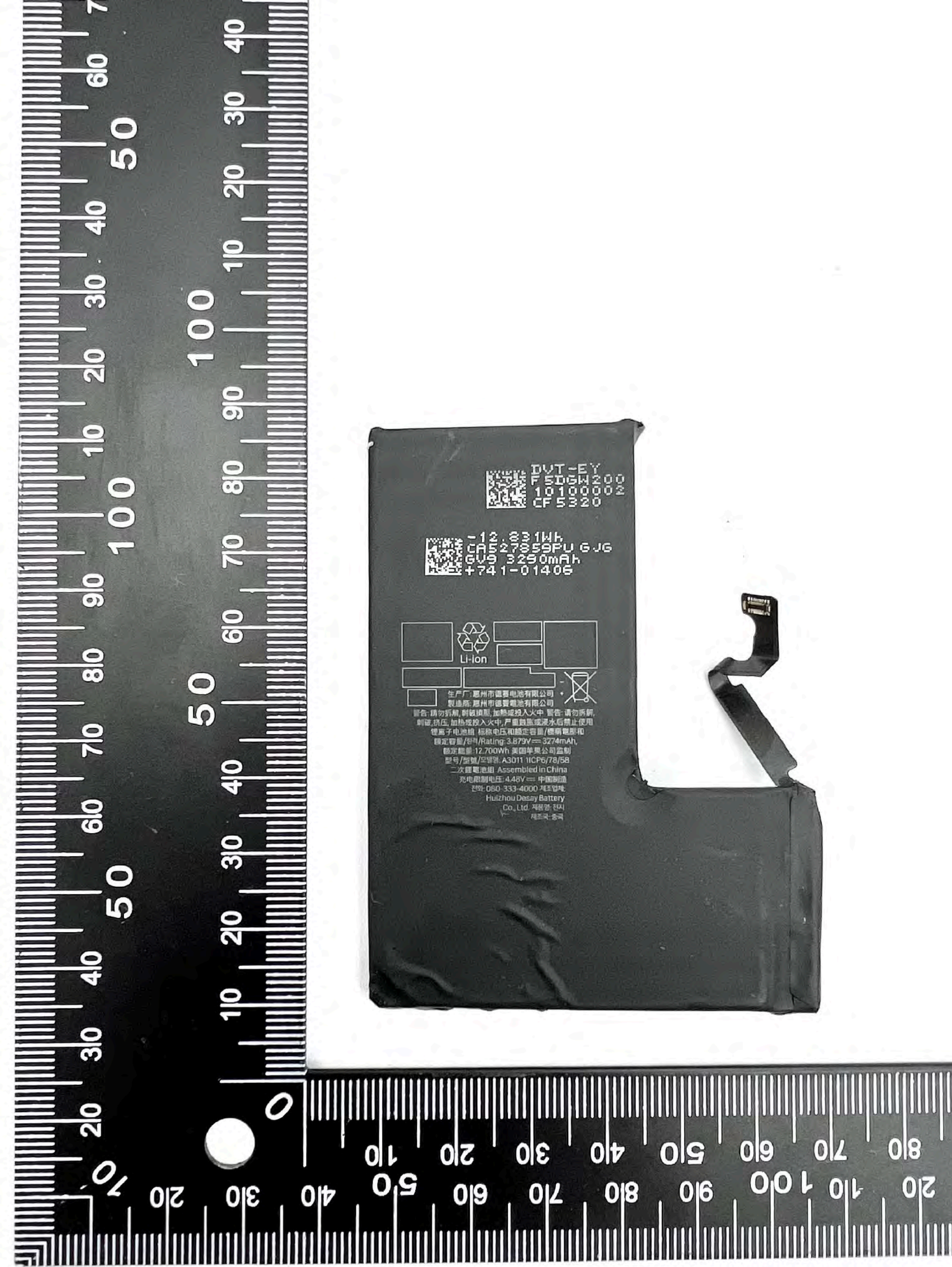


Rechargeable Li-Ion Battery Model A3011
⚠ WARNING / AVERTISSEMENT Trained Technician Serviceable Only.
Potential for fire or burning. Do not disassemble, crush, puncture,
heat or burn.

BM-A2848
100 2302

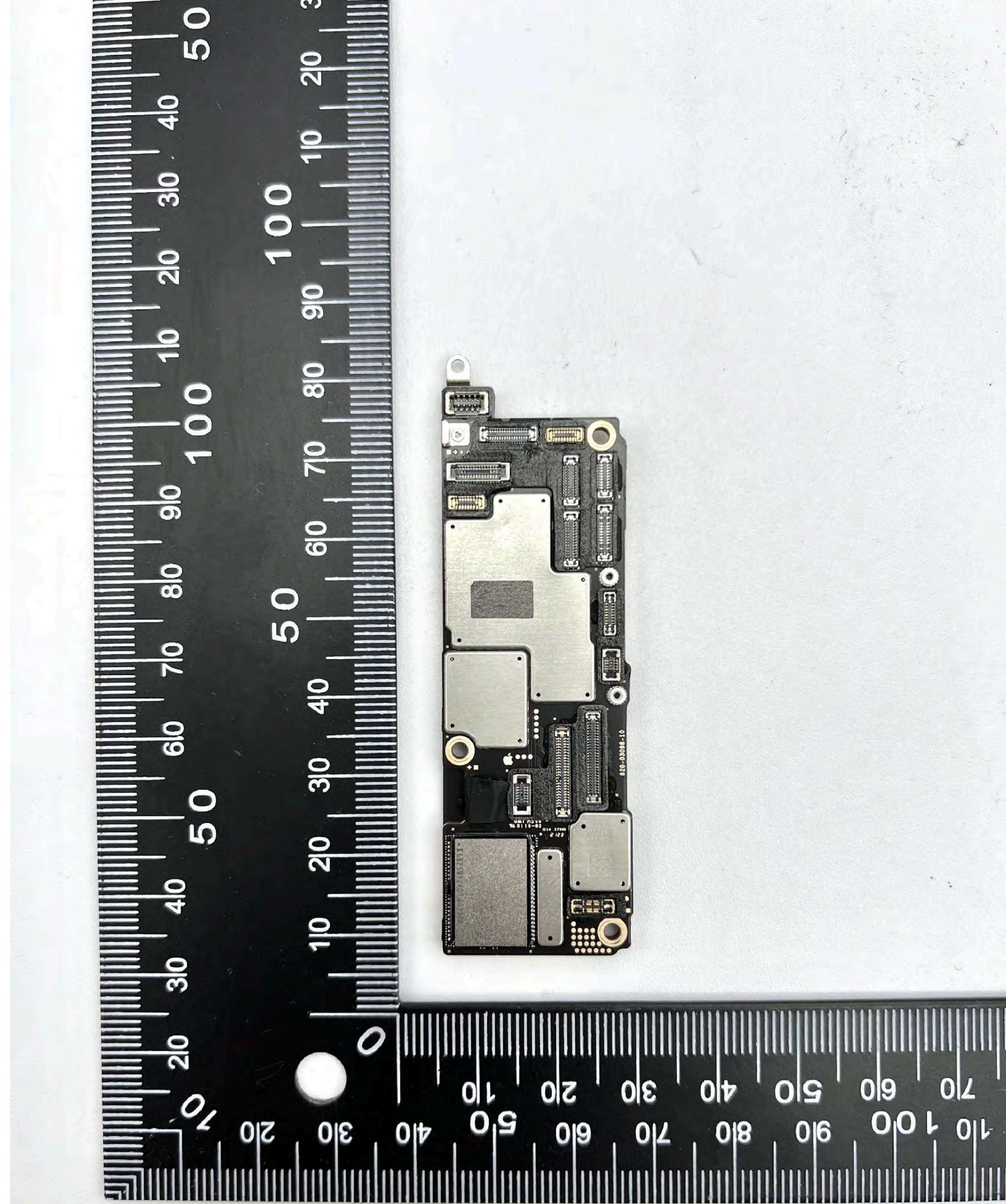
A2848

Battery - Back



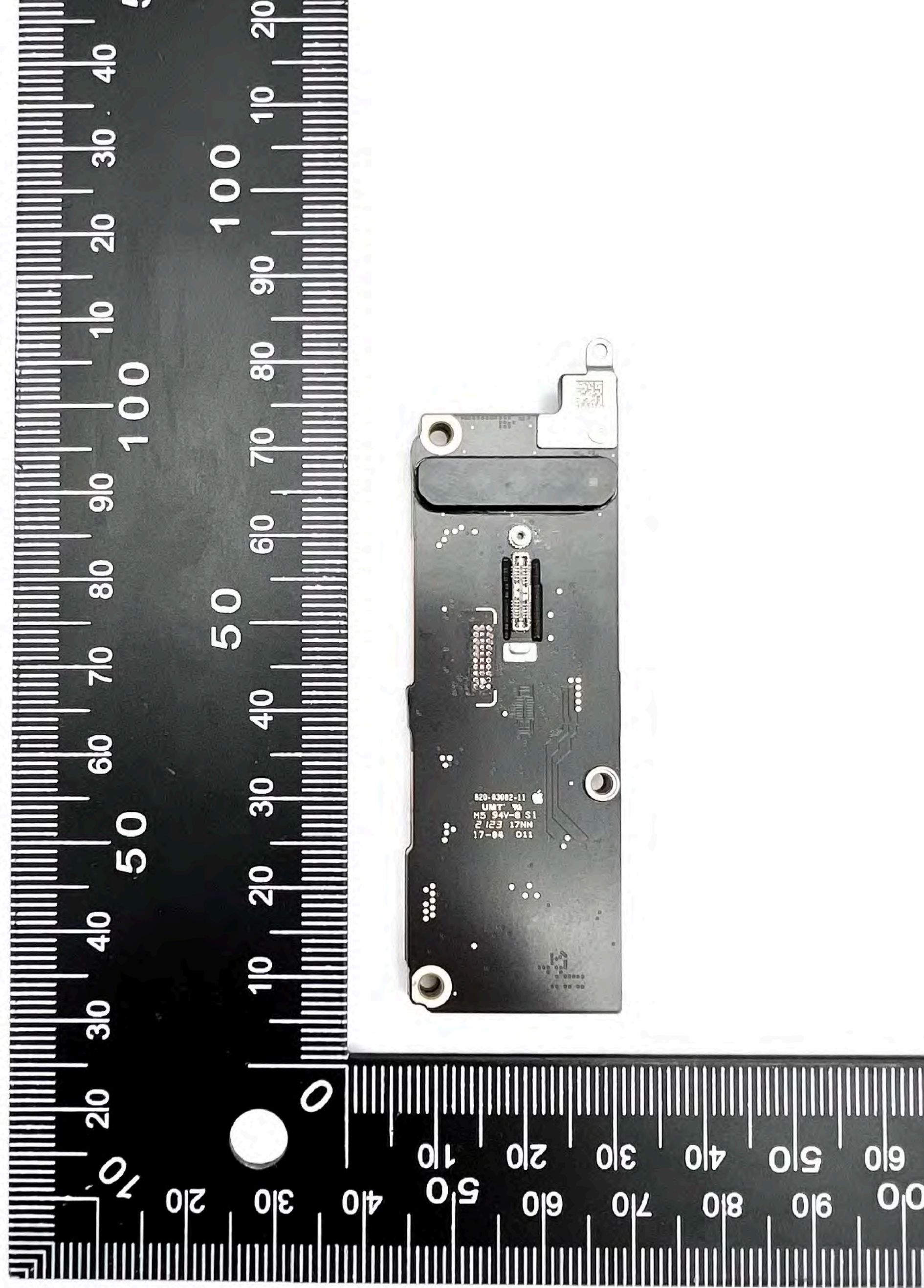
A2848

MLB, mmWave ANT M2 - Front



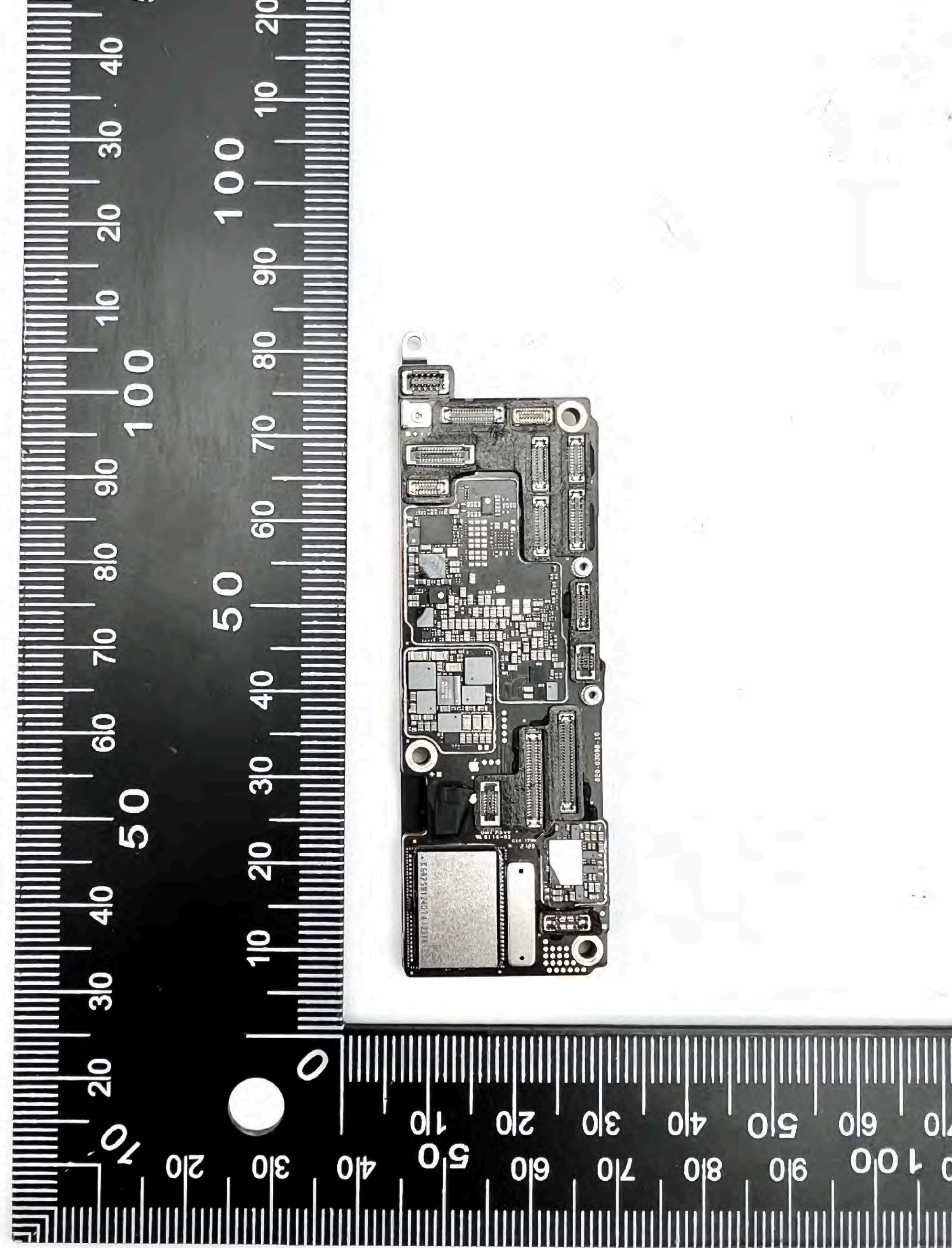
A2848

MLB, mmWave ANT M2 - Back



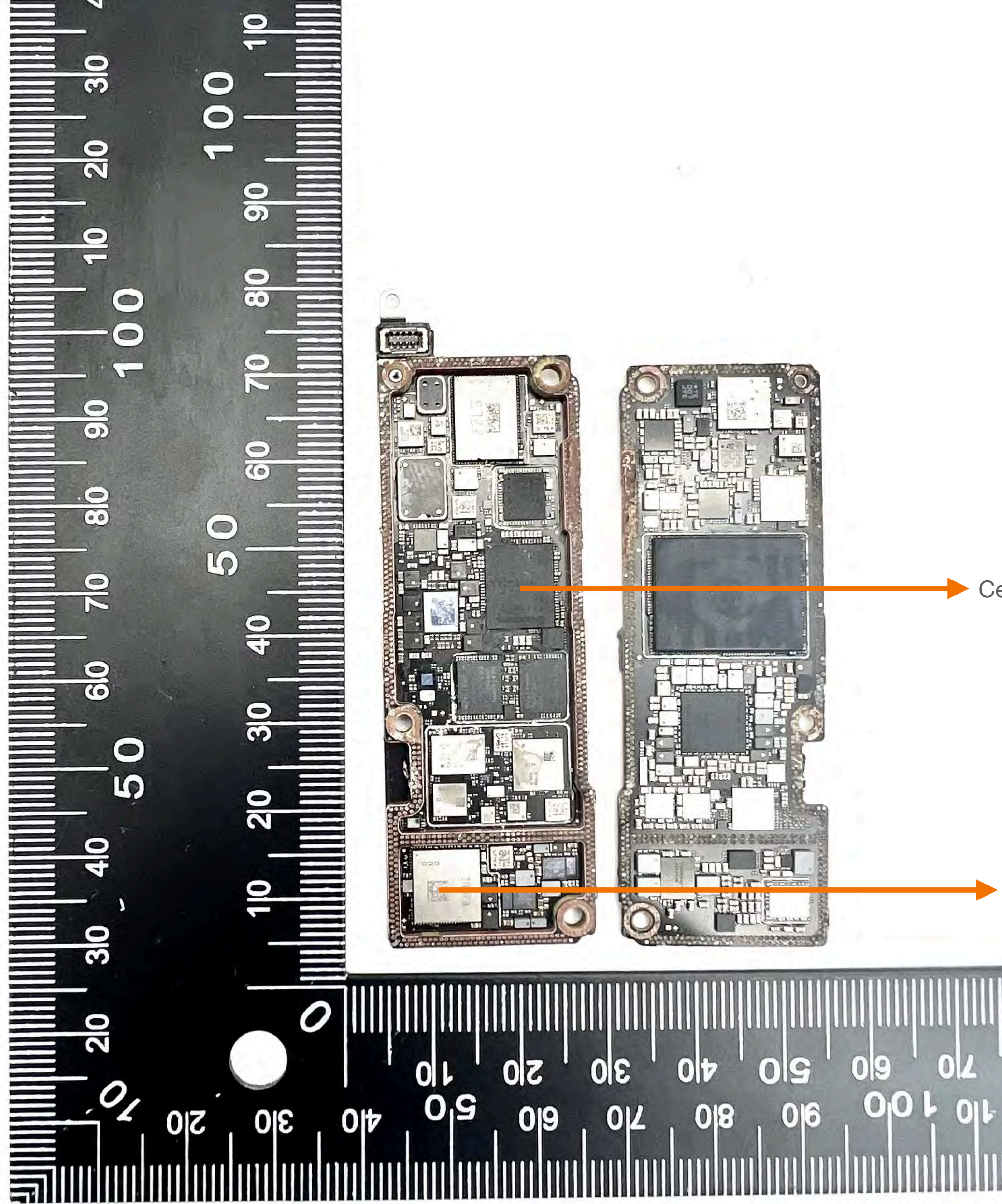
A2848

MLB without Shields - Front



A2848

MLB opened without shields



Cellular Radio Chipset

WiFi/BT Radio Chipset

A2848
Back Plate

