

HAC-RF Emission System Check 2011

Communication System: UID 0, CW; Frequency: 835 MHz; Duty Cycle: 1:1

Phantom section: RF Section

DASY5 Configuration:

- Probe: EF3DV3 - SN4028; ConvF(1, 1, 1) @ 835 MHz; Calibrated: 9/22/2022

- Sensor-Surface: (Fix Surface)

- Electronics: DAE4 Sn1352; Calibrated: 11/18/2022

- Phantom: HAC Test Arch with AMCC; Type: SD HAC P01 BB

- Measurement SW: DASY52, Version 52.10 (4); SEMCAD X Version 14.6.14 (7495)

Dipole E-Field measurement 835MHz/835 MHz/Hearing Aid Compatibility Test at 15mm distance (41x361x1):

Interpolated grid: dx=0.5000 mm, dy=0.5000 mm

Device Reference Point: 0, 0, -6.3 mm

Reference Value = 142.5 V/m; Power Drift = -0.16 dB

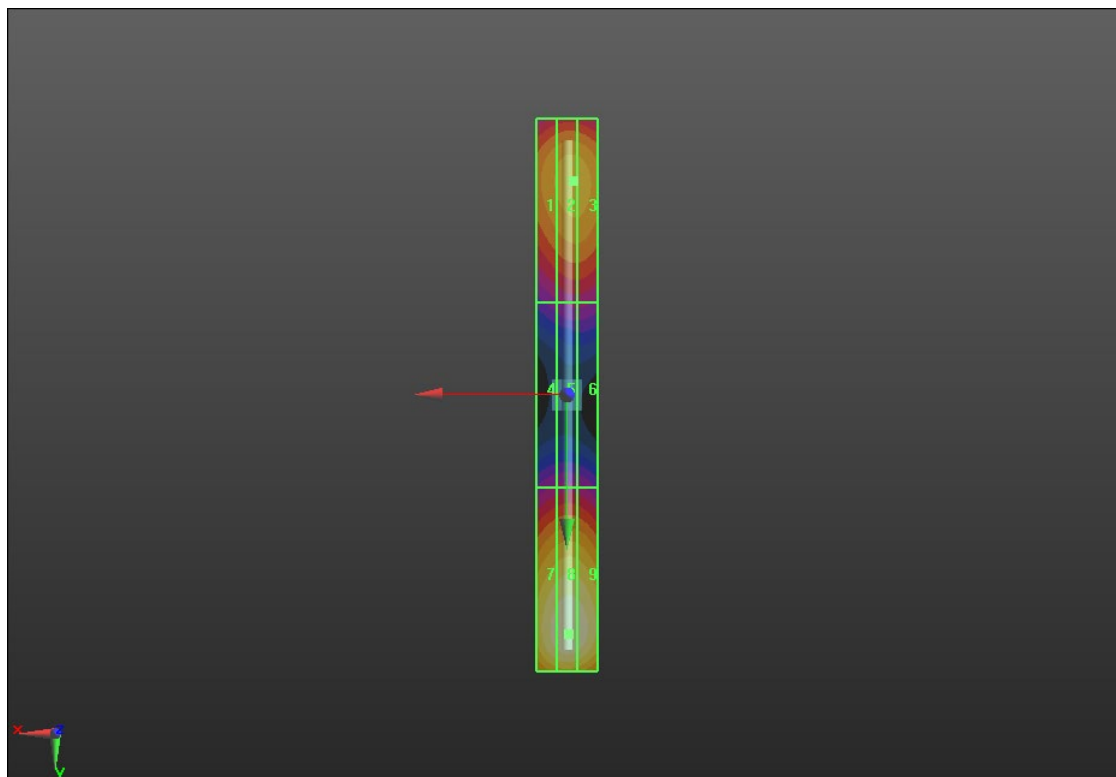
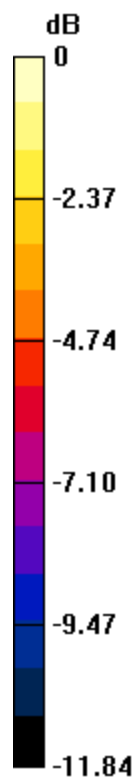
Applied MIF = 0.00 dB

RF audio interference level = 42.88 dBV/m

Emission category: **M3**

MIF scaled E-field

Grid 1 M4 39.81 dBV/m	Grid 2 M3 40.25 dBV/m	Grid 3 M3 40.22 dBV/m
Grid 4 M4 35.99 dBV/m	Grid 5 M4 36.17 dBV/m	Grid 6 M4 36.12 dBV/m
Grid 7 M3 42.49 dBV/m	Grid 8 M3 42.88 dBV/m	Grid 9 M3 42.71 dBV/m



0 dB = 139.3 V/m = 42.88 dBV/m

HAC-RF Emission System Check 2011

Communication System: UID 0, CW; Frequency: 1880 MHz; Duty Cycle: 1:1

Phantom section: RF Section

DASY5 Configuration:

- Probe: EF3DV3 - SN4028; ConvF(1, 1, 1) @ 1880 MHz; Calibrated: 9/22/2022

- Sensor-Surface: (Fix Surface)

- Electronics: DAE4 Sn1352; Calibrated: 11/18/2022

- Phantom: HAC Test Arch with AMCC; Type: SD HAC P01 BB

- Measurement SW: DASY52, Version 52.10 (4); SEMCAD X Version 14.6.14 (7495)

Dipole E-Field Measurement 1880MHz/1880 MHz/Hearing Aid Compatibility Test at 15mm distance (41x181x1): Interpolated grid: dx=0.5000 mm, dy=0.5000 mm

Device Reference Point: 0, 0, -6.3 mm

Reference Value = 189.7 V/m; Power Drift = 0.05 dB

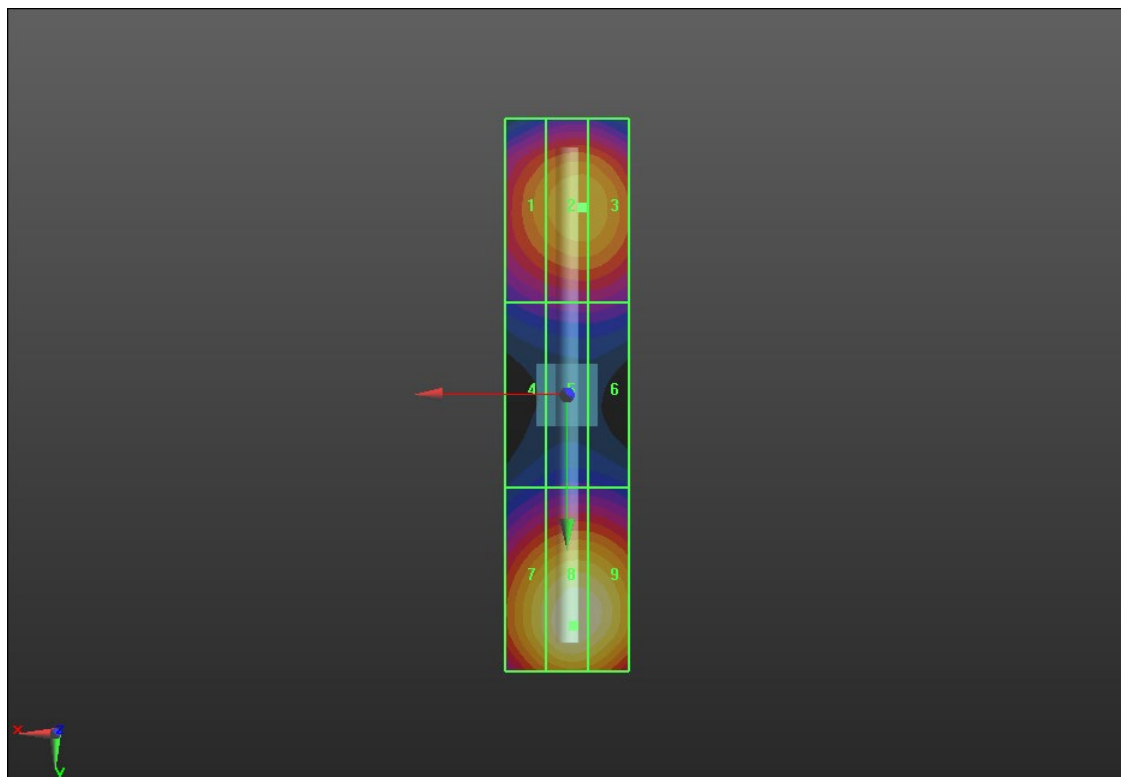
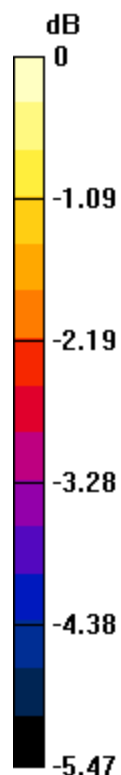
Applied MIF = 0.00 dB

RF audio interference level = 39.99 dBV/m

Emission category: **M2**

MIF scaled E-field

Grid 1 M2 38.5 dBV/m	Grid 2 M2 38.9 dBV/m	Grid 3 M2 38.89 dBV/m
Grid 4 M2 36.47 dBV/m	Grid 5 M2 36.68 dBV/m	Grid 6 M2 36.68 dBV/m
Grid 7 M2 39.45 dBV/m	Grid 8 M2 39.99 dBV/m	Grid 9 M2 39.93 dBV/m



0 dB = 99.93 V/m = 39.99 dBV/m

HAC-RF Emission System Check 2011

Communication System: UID 0, CW (0); Frequency: 2450 MHz; Duty Cycle: 1:1

Phantom section: RF Section

DASY5 Configuration:

- Probe: EF3DV3 - SN4028; ConvF(1, 1, 1) @ 2450 MHz; Calibrated: 9/22/2022

- Sensor-Surface: (Fix Surface)

- Electronics: DAE4 Sn1352; Calibrated: 11/18/2022

- Phantom: HAC Test Arch with AMCC; Type: SD HAC P01 BB

- Measurement SW: DASY52, Version 52.10 (4); SEMCAD X Version 14.6.14 (7495)

Dipole E-Field Measurement 2450MHz/2450 MHz/Hearing Aid Compatibility Test at 15mm distance (41x181x1):

Interpolated grid: dx=0.5000 mm, dy=0.5000 mm

Device Reference Point: 0, 0, -6.3 mm

Reference Value = 95.65 V/m; Power Drift = 0.07 dB

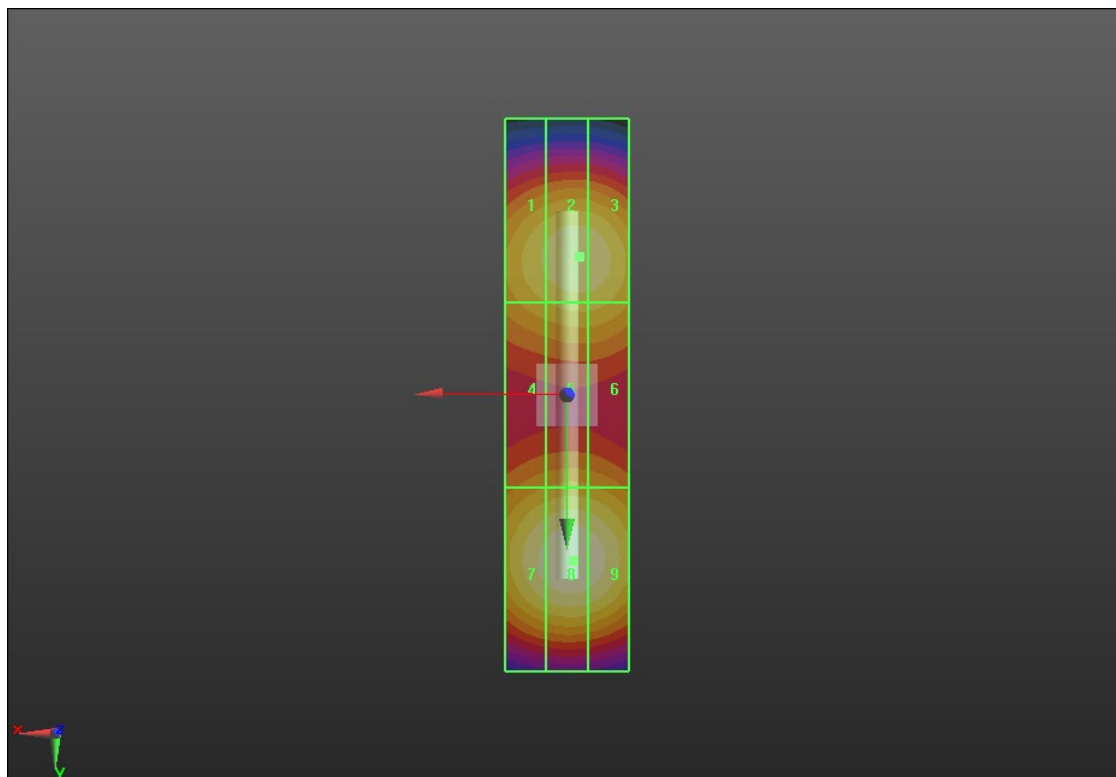
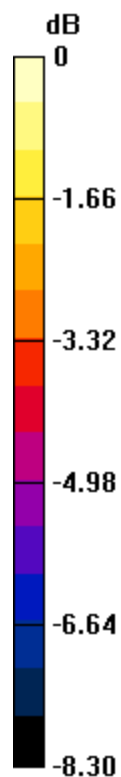
Applied MIF = 0.00 dB

RF audio interference level = 39.63 dBV/m

Emission category: **M2**

MIF scaled E-field

Grid 1 M2 38.63 dBV/m	Grid 2 M2 39.04 dBV/m	Grid 3 M2 39 dBV/m
Grid 4 M2 37.94 dBV/m	Grid 5 M2 38.25 dBV/m	Grid 6 M2 38.24 dBV/m
Grid 7 M2 39.29 dBV/m	Grid 8 M2 39.63 dBV/m	Grid 9 M2 39.49 dBV/m



0 dB = 95.82 V/m = 39.63 dBV/m

HAC-RF Emission System Check 2011

Communication System: UID 0, CW (0); Frequency: 2600 MHz; Duty Cycle: 1:1

Phantom section: RF Section

DASY5 Configuration:

- Probe: EF3DV3 - SN4028; ConvF(1, 1, 1) @ 2600 MHz; Calibrated: 9/22/2022

- Sensor-Surface: (Fix Surface)

- Electronics: DAE4 Sn1352; Calibrated: 11/18/2022

- Phantom: HAC Test Arch with AMCC; Type: SD HAC P01 BB

- Measurement SW: DASY52, Version 52.10 (4);SEMCAD X Version 14.6.14 (7495)

Dipole E-Field Measurement 2600MHz/2600 MHz/Hearing Aid Compatibility Test at 15mm distance (41x181x1):

Interpolated grid: dx=0.5000 mm, dy=0.5000 mm

Device Reference Point: 0, 0, -6.3 mm

Reference Value = 81.85 V/m; Power Drift = 0.02 dB

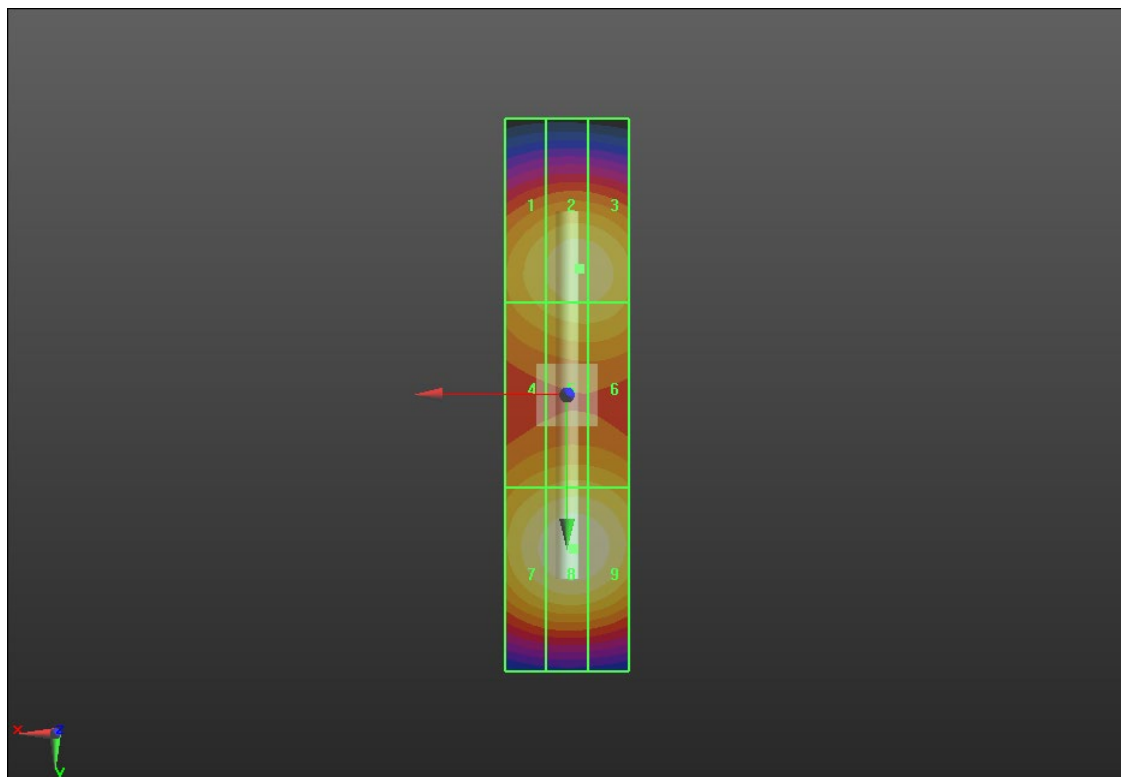
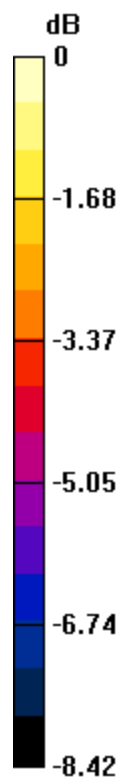
Applied MIF = 0.00 dB

RF audio interference level = 39.89 dBV/m

Emission category: **M2**

MIF scaled E-field

Grid 1 M2 38.79 dBV/m	Grid 2 M2 39.22 dBV/m	Grid 3 M2 39.19 dBV/m
Grid 4 M2 38.41 dBV/m	Grid 5 M2 38.79 dBV/m	Grid 6 M2 38.79 dBV/m
Grid 7 M2 39.52 dBV/m	Grid 8 M2 39.89 dBV/m	Grid 9 M2 39.79 dBV/m



0 dB = 98.72 V/m = 39.89 dBV/m

HAC-RF Emission System Check 2011

Communication System: UID 0, CW (0); Frequency: 3500 MHz; Duty Cycle: 1:1

Phantom section: RF Section

DASY5 Configuration:

- Probe: EF3DV3 - SN4028; ConvF(1, 1, 1) @ 3500 MHz; Calibrated: 9/22/2022

- Sensor-Surface: (Fix Surface)

- Electronics: DAE4 Sn1352; Calibrated: 11/18/2022

- Phantom: HAC Test Arch with AMCC; Type: SD HAC P01 BB

- Measurement SW: DASY52, Version 52.10 (4); SEMCAD X Version 14.6.14 (7495)

Dipole E-Field Measurement 3500MHz/3500 MHz/Hearing Aid Compatibility Test at 15mm distance (41x181x1):

Interpolated grid: dx=0.5000 mm, dy=0.5000 mm

Device Reference Point: 0, 0, -6.3 mm

Reference Value = 46.88 V/m; Power Drift = 0.12 dB

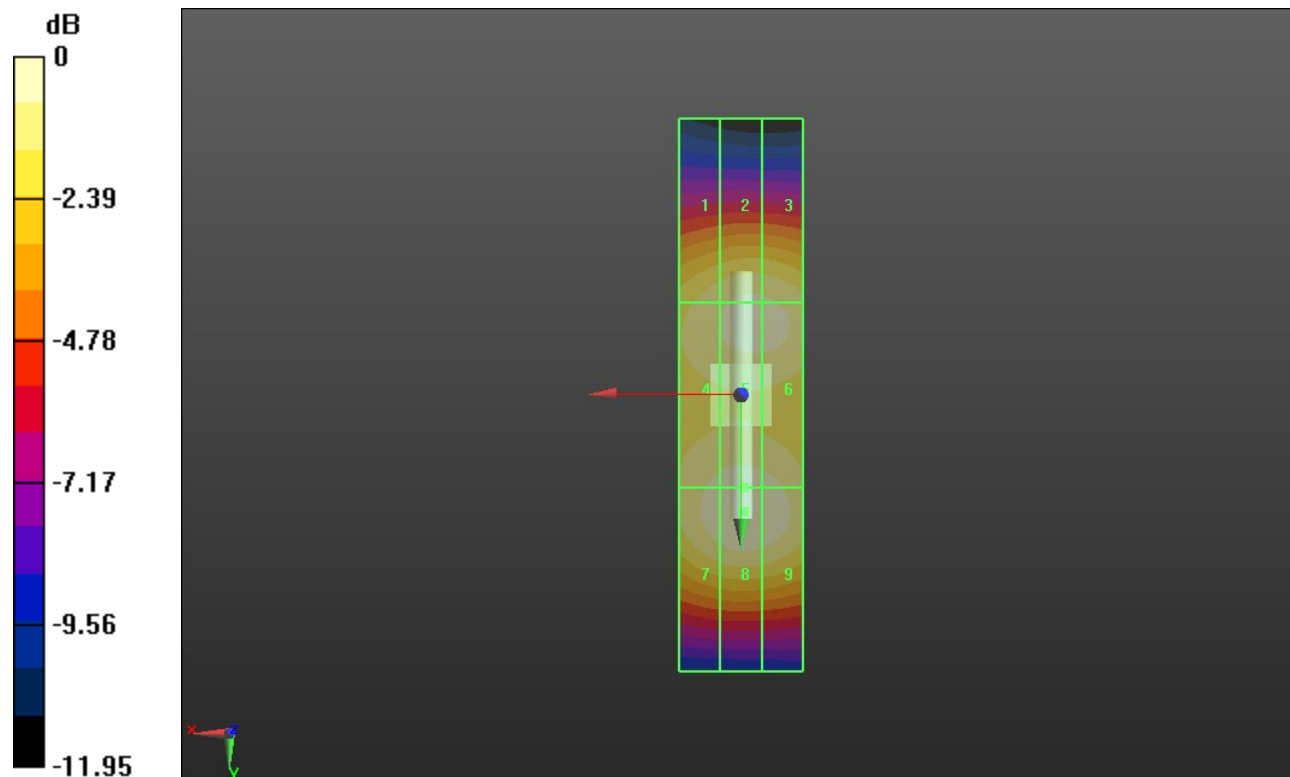
Applied MIF = 0.00 dB

RF audio interference level = 39.18 dBV/m

Emission category: **M2**

MIF scaled E-field

Grid 1 M2 38.21 dBV/m	Grid 2 M2 38.6 dBV/m	Grid 3 M2 38.57 dBV/m
Grid 4 M2 38.64 dBV/m	Grid 5 M2 38.87 dBV/m	Grid 6 M2 38.76 dBV/m
Grid 7 M2 38.87 dBV/m	Grid 8 M2 39.18 dBV/m	Grid 9 M2 39.06 dBV/m



0 dB = 90.99 V/m = 39.18 dBV/m

HAC-RF Emission System Check 2011

Communication System: UID 0, CW (0); Frequency: 5500 MHz; Duty Cycle: 1:1

Phantom section: RF Section

DASY5 Configuration:

- Probe: EF3DV3 - SN4028; ConvF(1, 1, 1) @ 5500 MHz; Calibrated: 9/22/2022

- Sensor-Surface: (Fix Surface)

- Electronics: DAE4 Sn1352; Calibrated: 11/18/2022

- Phantom: HAC Test Arch with AMCC; Type: SD HAC P01 BB

- Measurement SW: DASY52, Version 52.10 (4); SEMCAD X Version 14.6.14 (7495)

Dipole E-Field Measurement 5.5GHz/5.5GHz/Hearing Aid Compatibility Test at 15mm distance (41x181x1):

Interpolated grid: dx=0.5000 mm, dy=0.5000 mm

Device Reference Point: 0, 0, -6.3 mm

Reference Value = 32.08 V/m; Power Drift = 0.10 dB

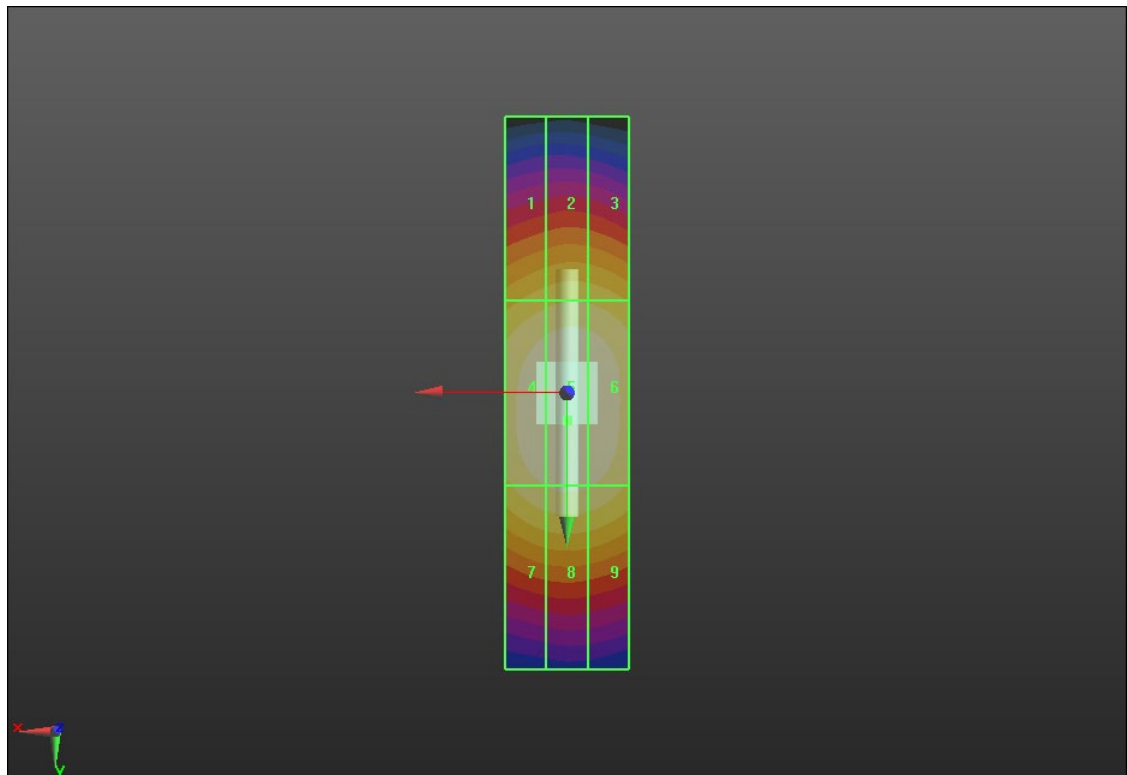
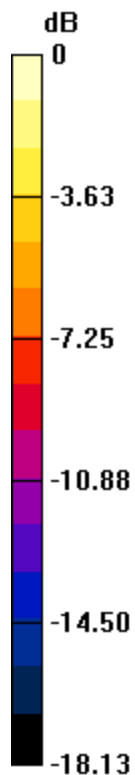
Applied MIF = 0.00 dB

RF audio interference level = 41.05 dBV/m

Emission category: **M1**

MIF scaled E-field

Grid 1 M2 38.24 dBV/m	Grid 2 M2 38.62 dBV/m	Grid 3 M2 38.51 dBV/m
Grid 4 M1 40.83 dBV/m	Grid 5 M1 41.05 dBV/m	Grid 6 M1 40.84 dBV/m
Grid 7 M2 39.88 dBV/m	Grid 8 M1 40.14 dBV/m	Grid 9 M2 39.94 dBV/m



0 dB = 112.9 V/m = 41.05 dBV/m