

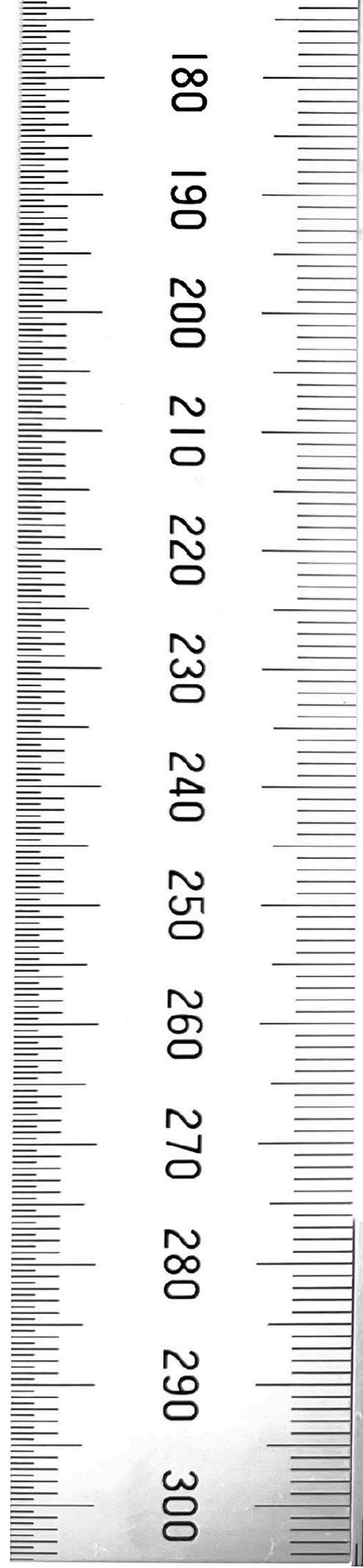
Note: MSS not supported in A2883/84

**A2881, A2882, A2883, A2884**  
Touch Screen Assembly, Earpiece,  
Microphone - Back

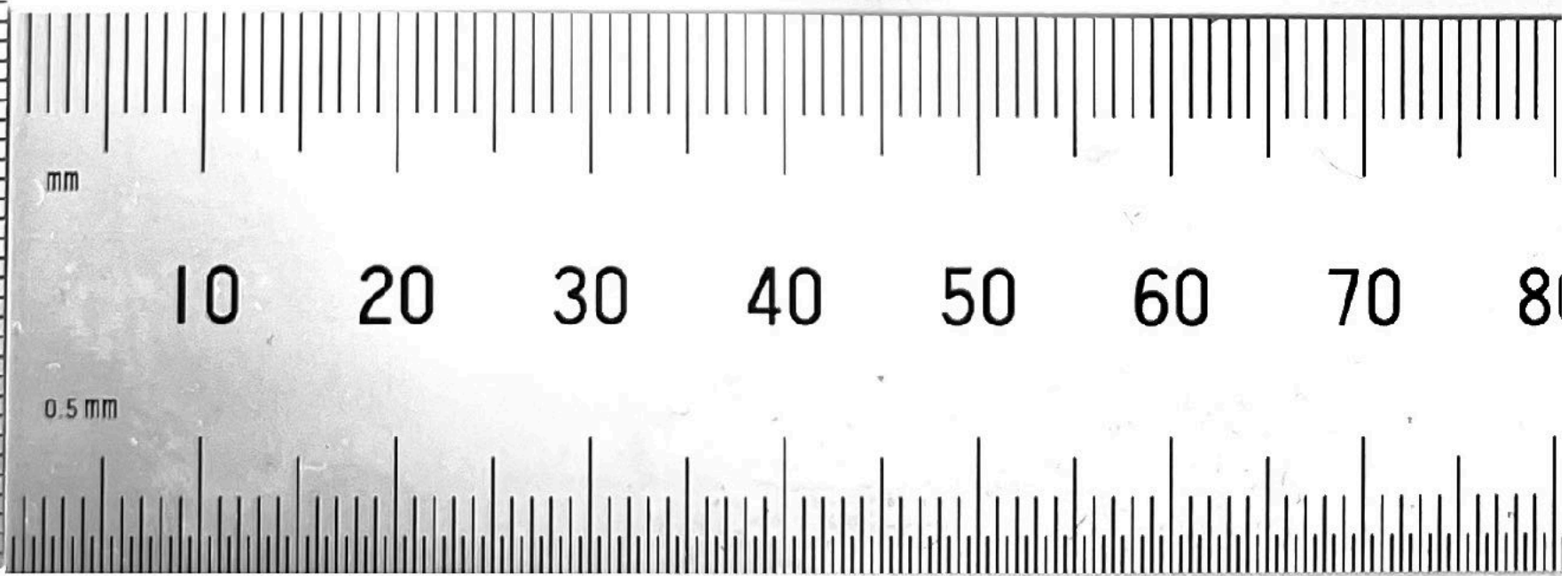


A2881, A2882, A2883, A2884

Battery - Front



Rechargeable Li-ion Battery Model A2863  
⚠ WARNING / AVERTISSEMENT Authorized Service  
Provider Only. Potential for fire or burning. Do not  
disassemble, crush, heat, puncture, or burn.





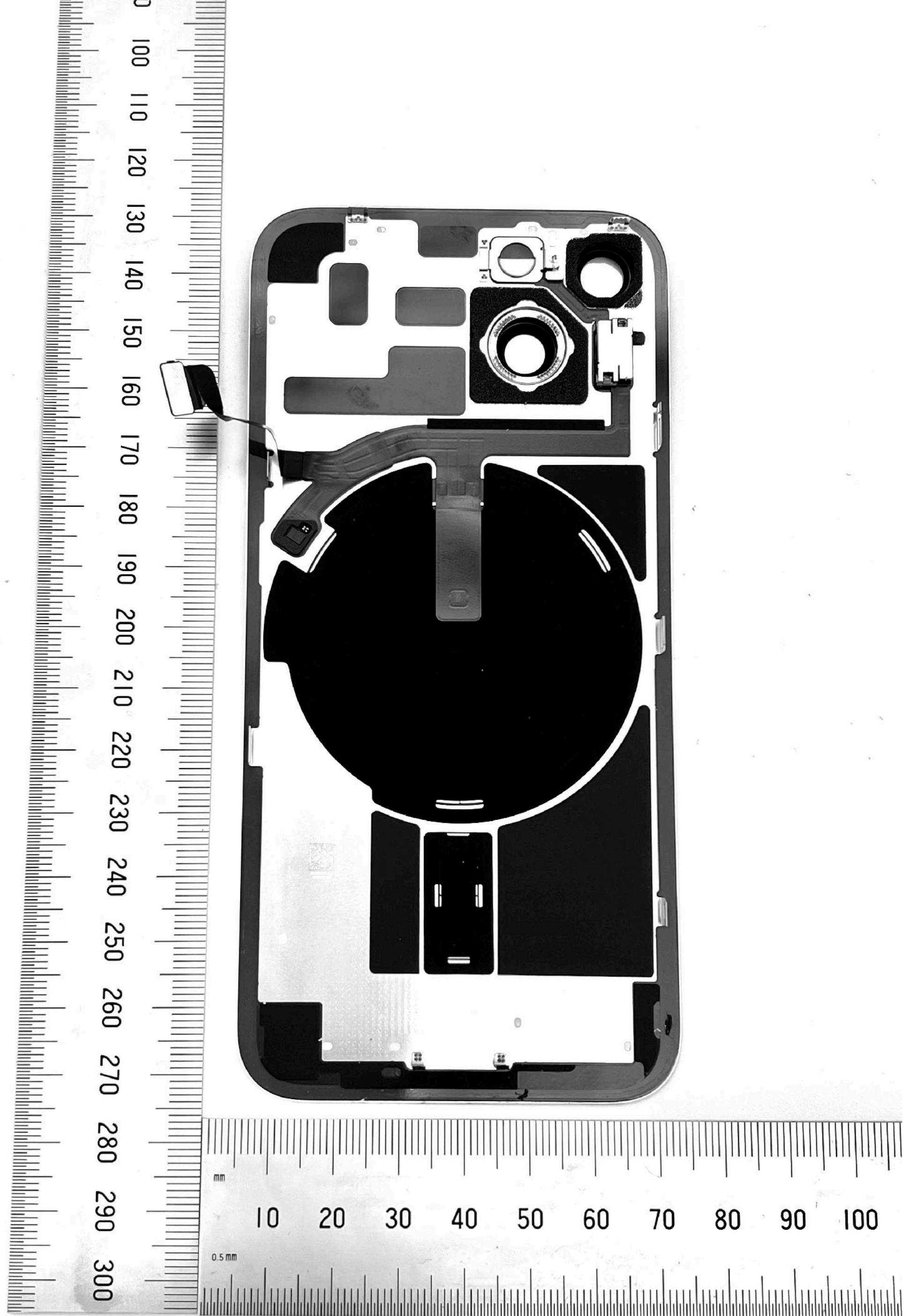
**A2881, A2882, A2883, A2884**

Back Plate - Front



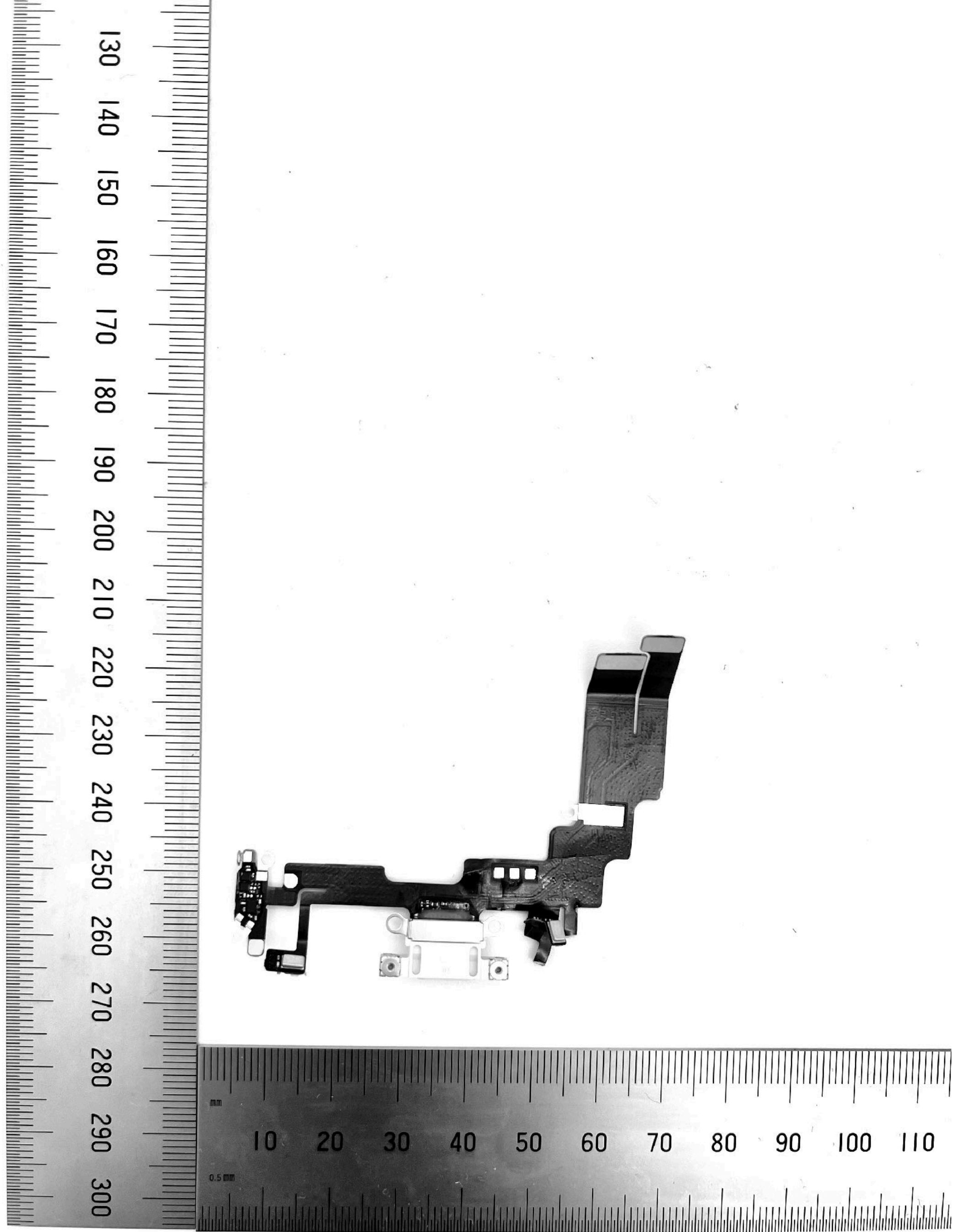
**A2881, A2882, A2883, A2884**

Back Plate - Back



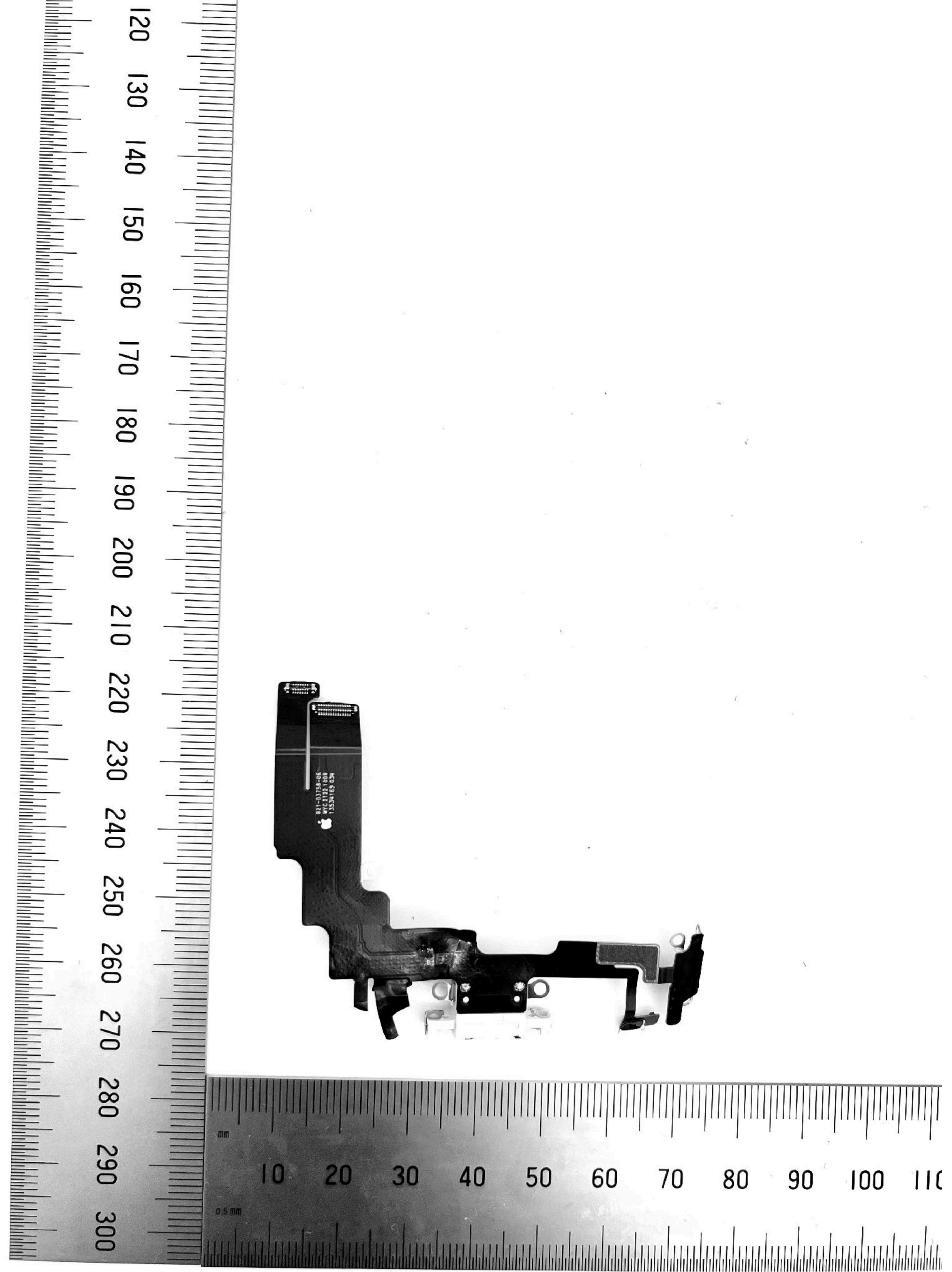
**A2881, A2882, A2883, A2884**

Flex Assembly with lightning connector,  
Microphone , ANT7 - Front



**A2881, A2882, A2883, A2884**

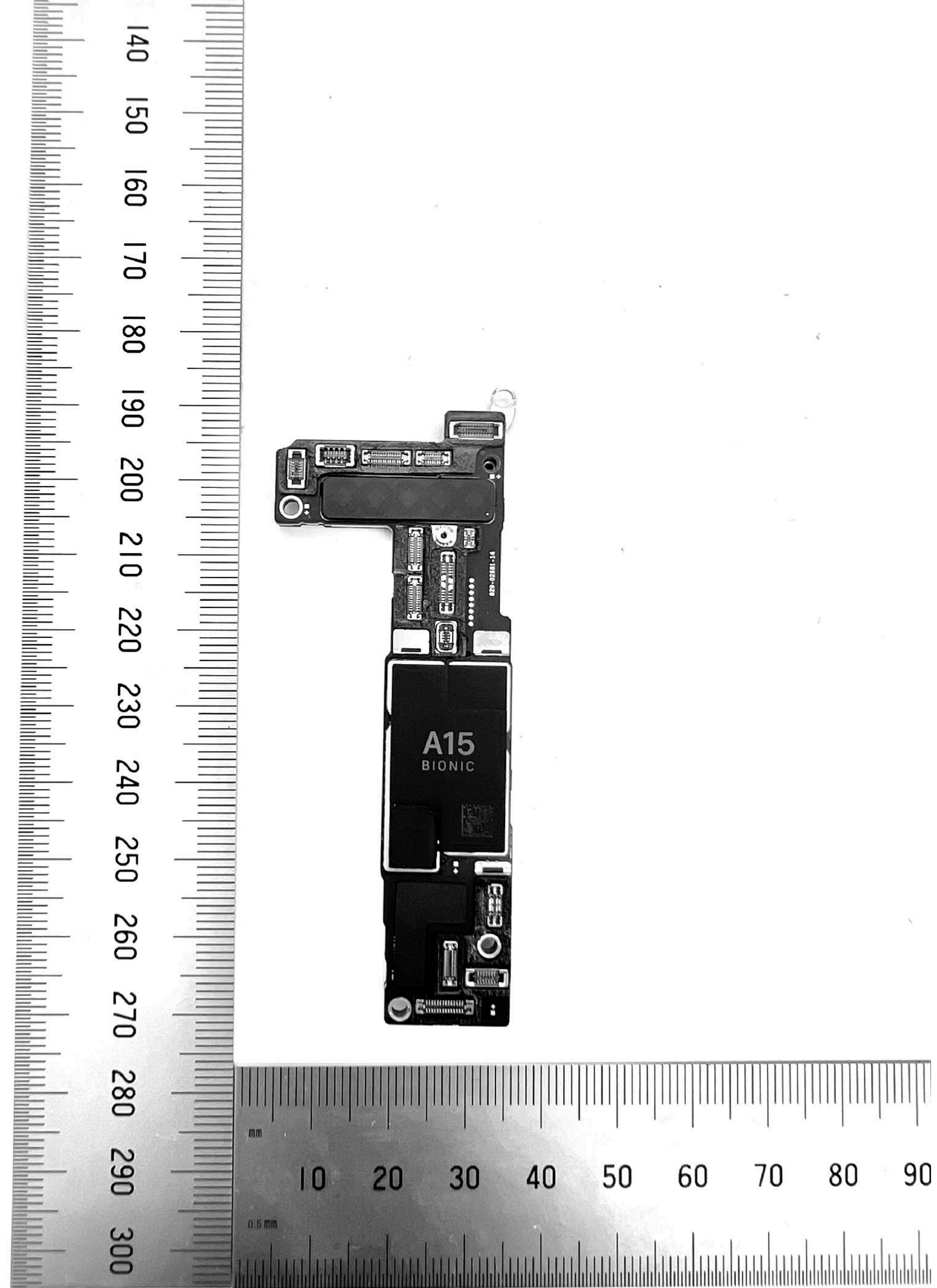
Flex Assembly with lightning  
connector, Microphone , ANT7 - Back





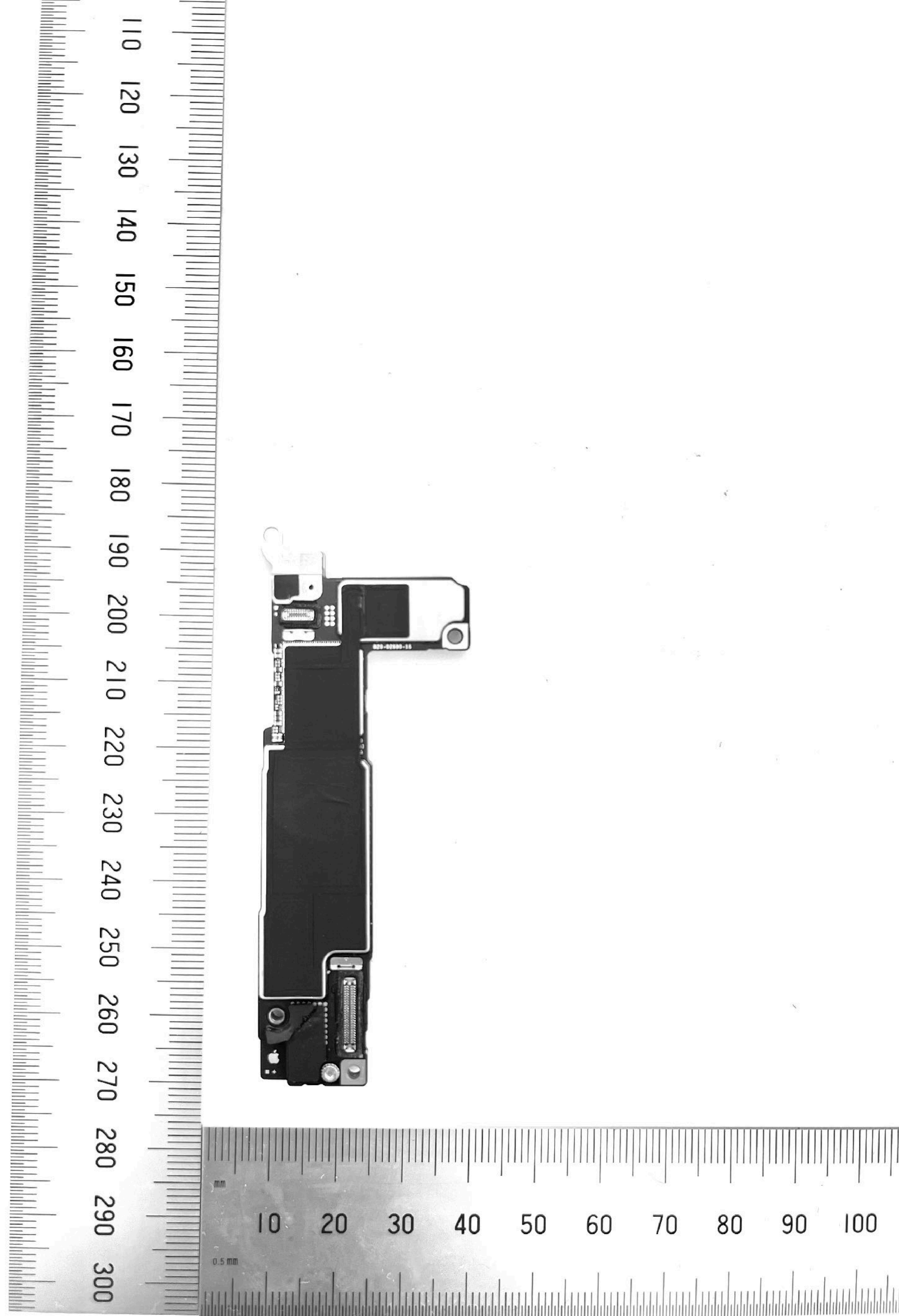
A2881, A2882, A2883, A2884

MLB - Front



A2881, A2882, A2883, A2884

MLB - Back



A2881, A2882, A2883, A2884

Bottom MLB - Front

