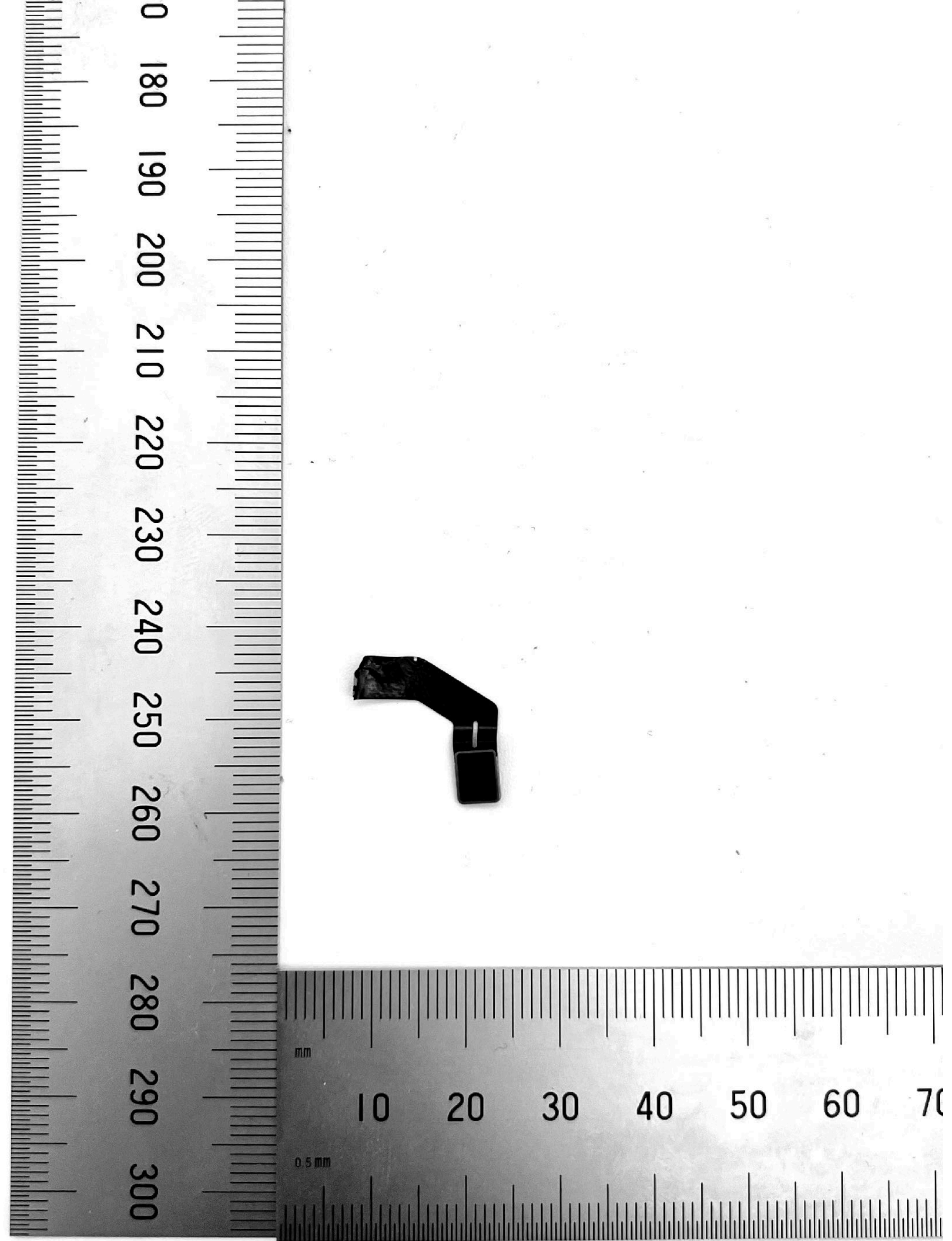


A2651

ANT M1 mmWave - Front



A2651

ANT M1 mmWave - Back



A2651

Battery - Front



Rechargeable Li-ion Battery Model A2830

⚠ WARNING / AVERTISSEMENT Authorized Service Provider Only.
Potential for fire or burning. Do not disassemble, crush, puncture,
heat, or burn.

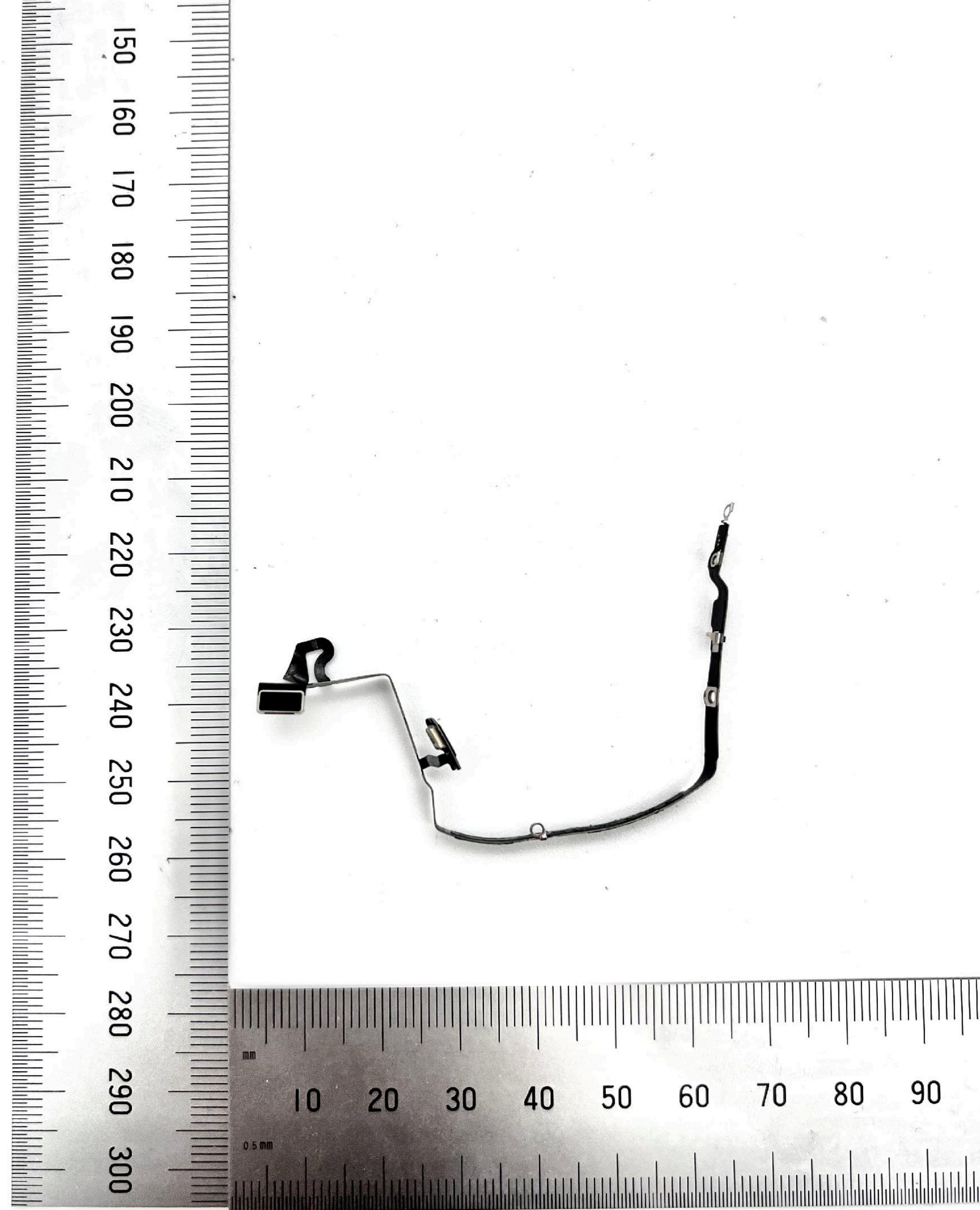
A2651

Battery - Back



A2651

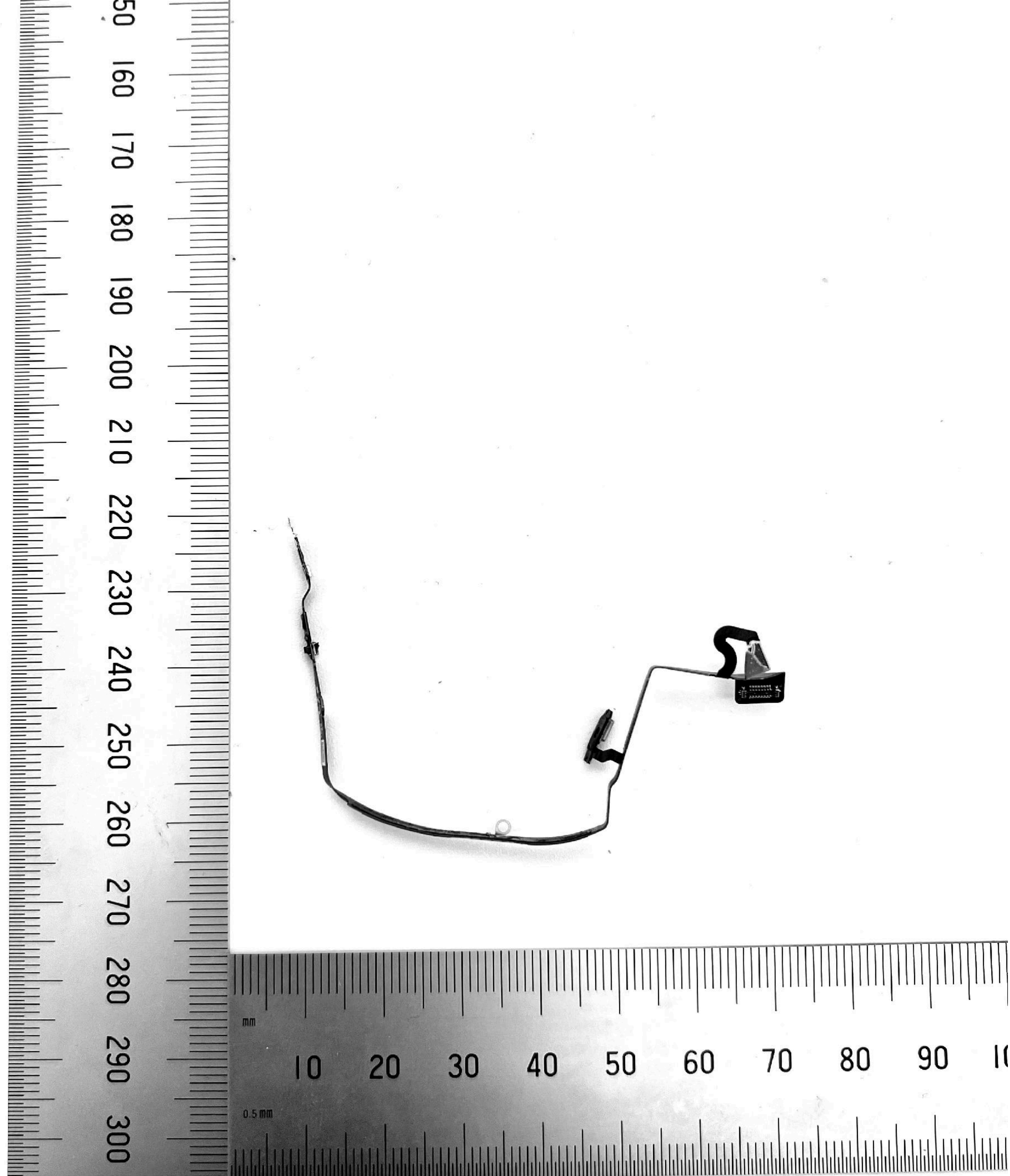
Flex Assembly with ANT4, UWB1 -
Front



A2651

Flex Assembly with ANT4, UWB1 -

Back

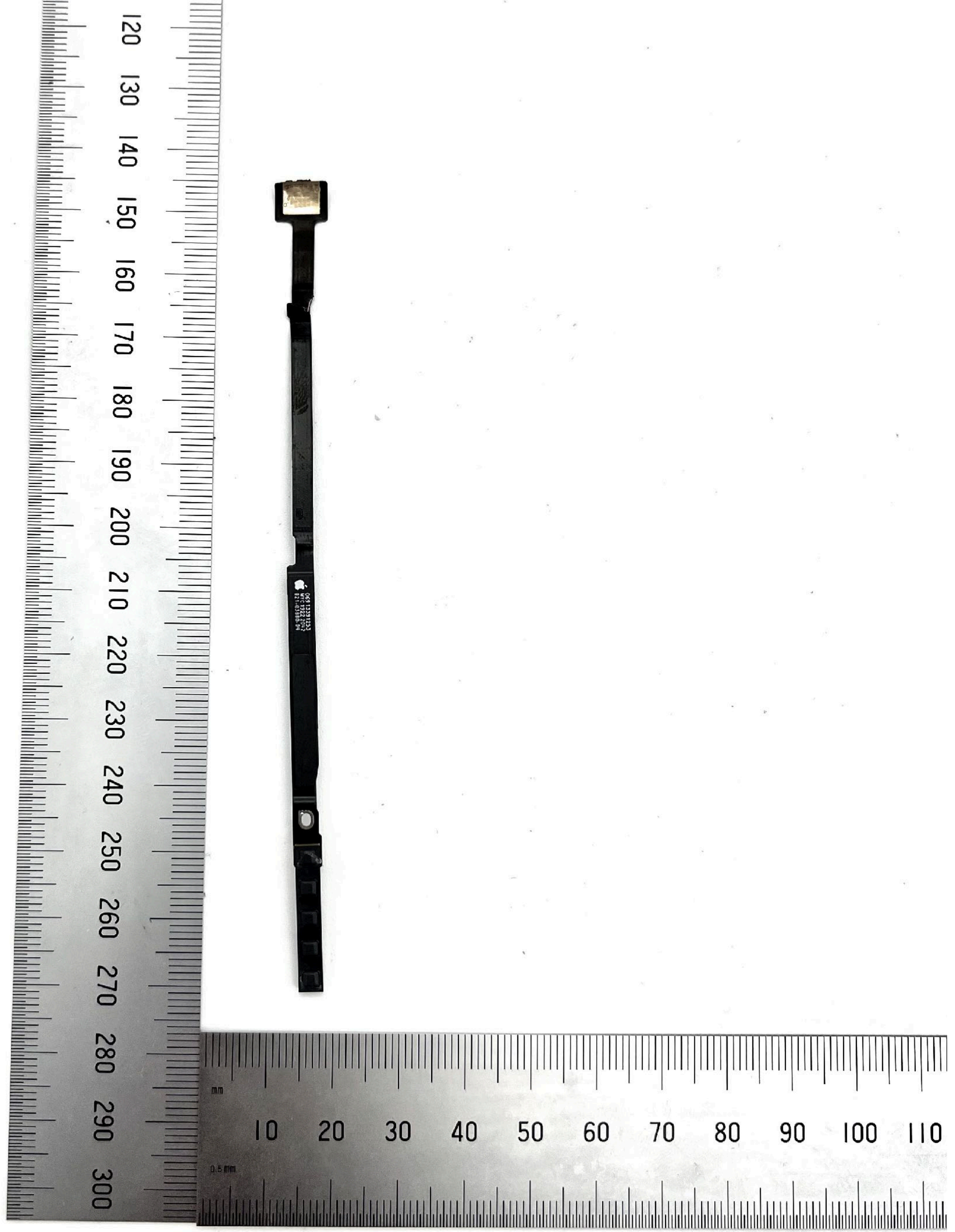


A2651

ANT M3 mmWave - Front

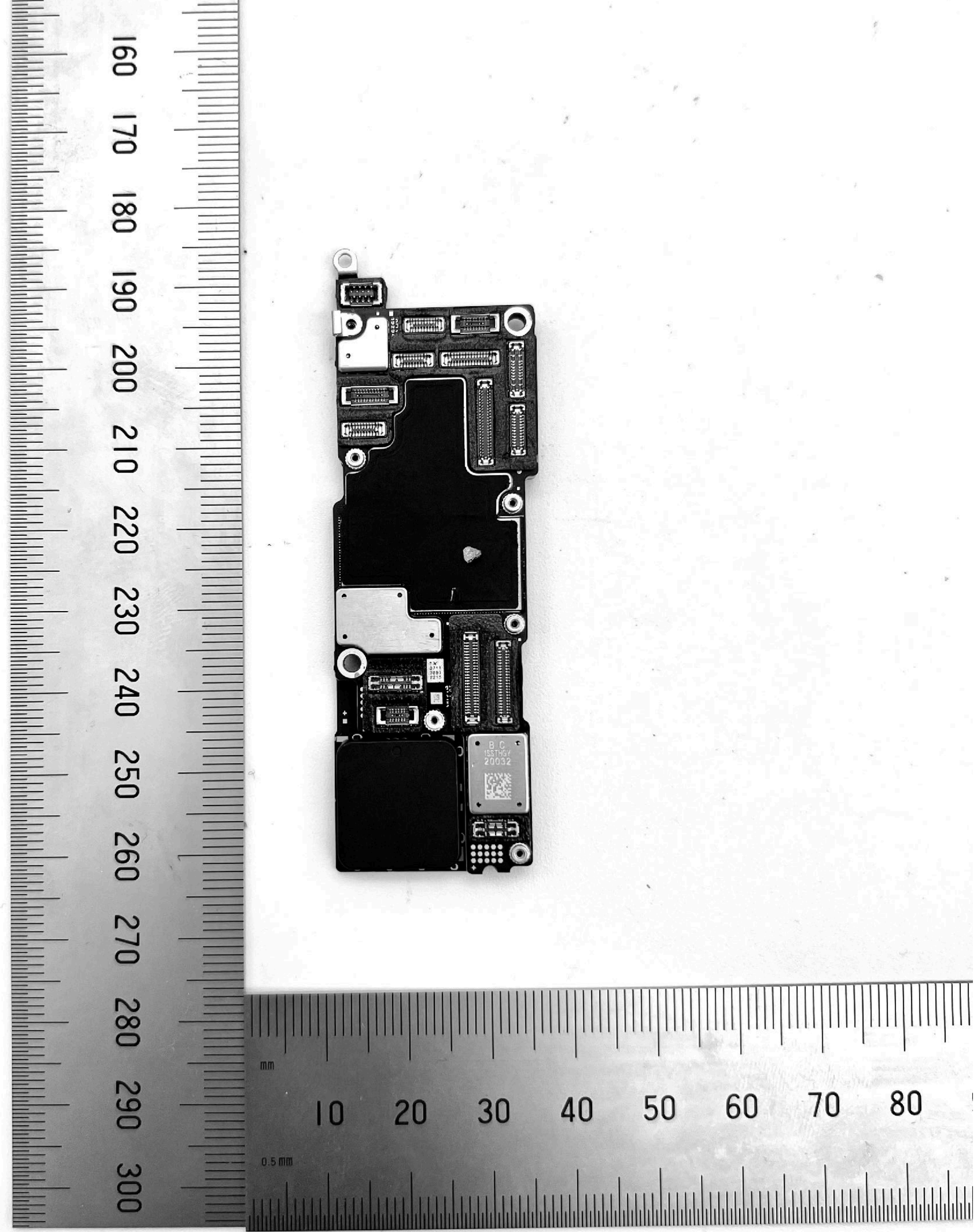


A2651
ANT M3 mmWave - Back



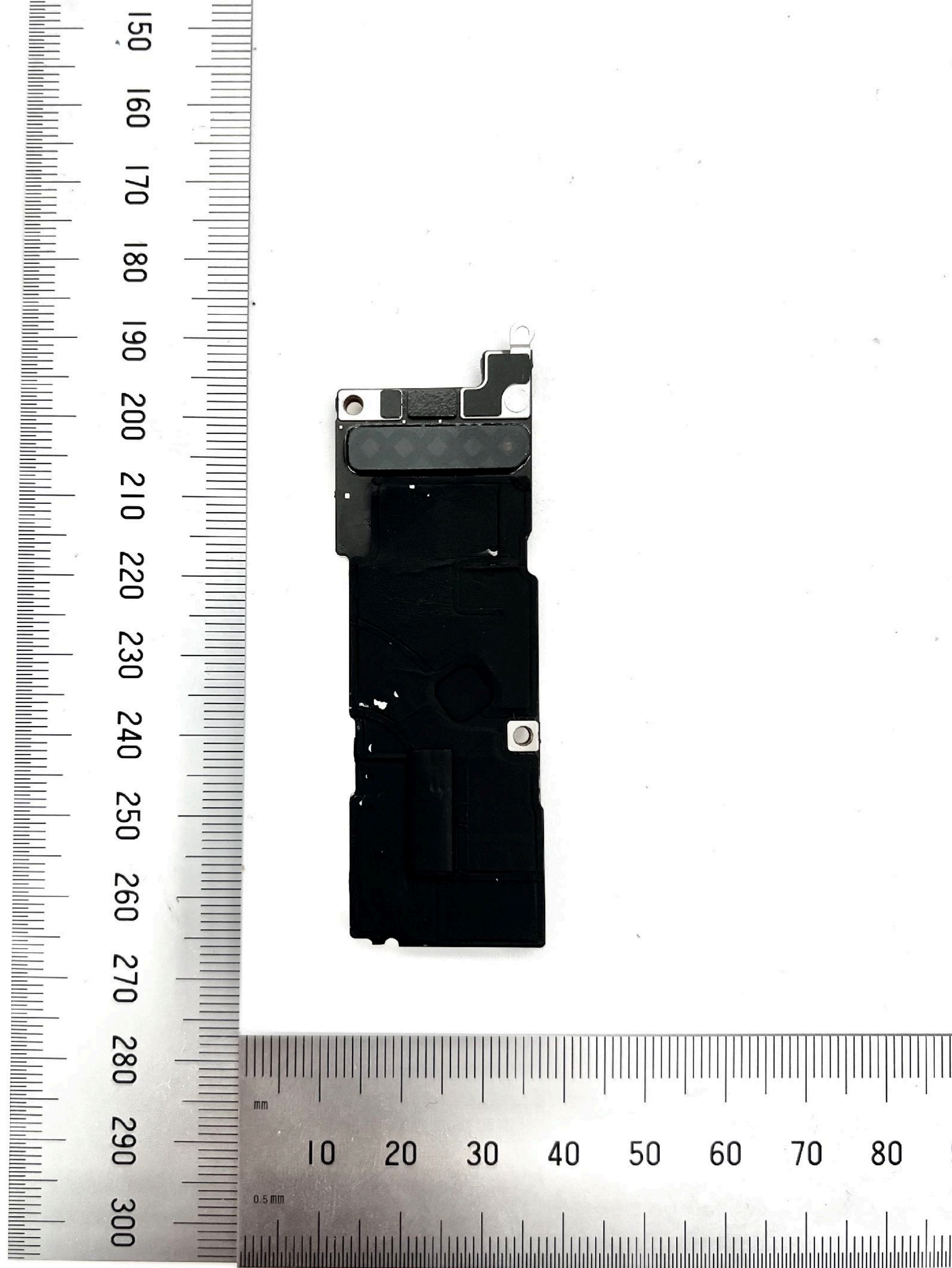
A2651

MLB, mmWave ANT M2 - Front



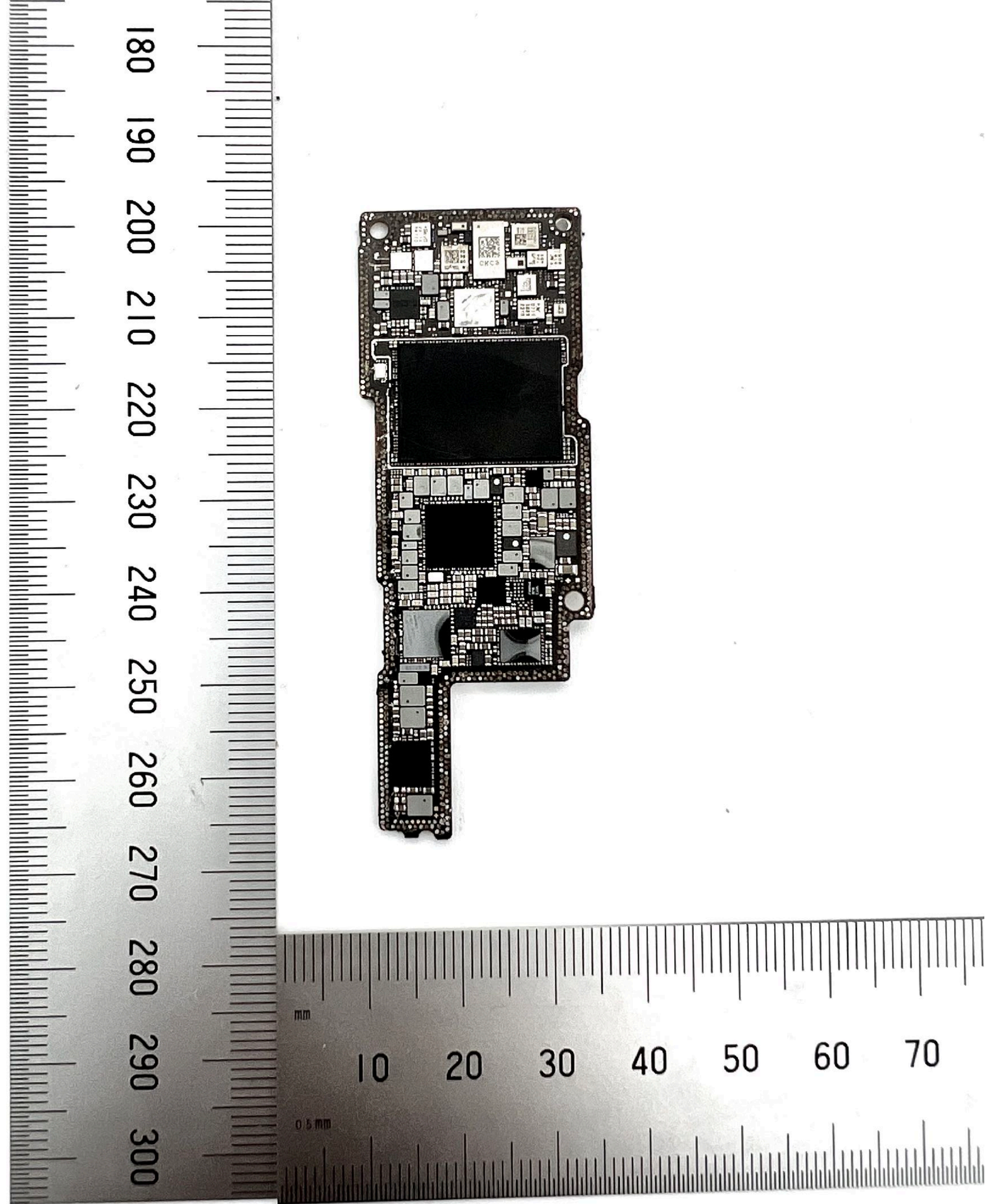
A2651

MLB, mmWave ANT M2 - Back



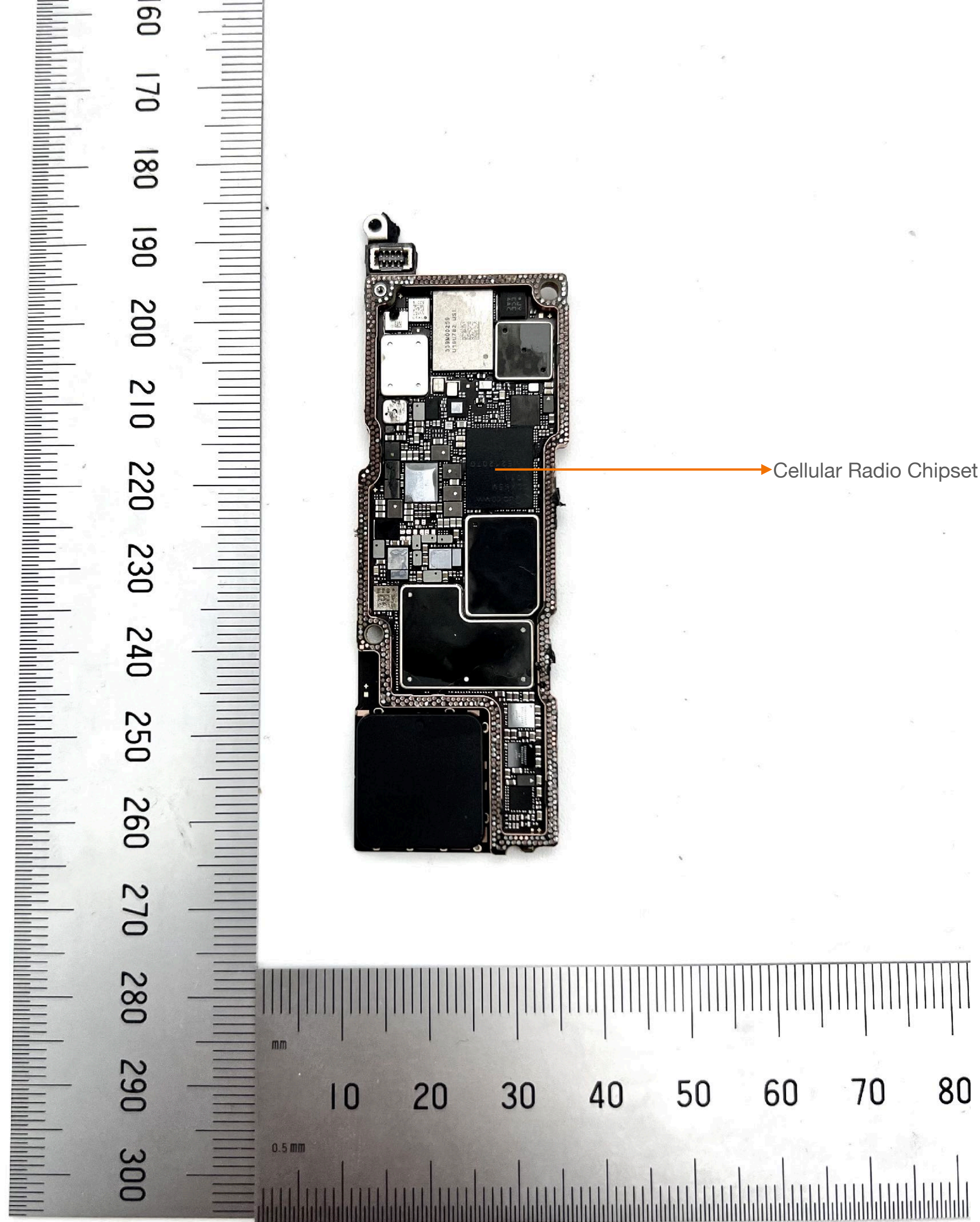
A2651

Top MLB - Back



A2651

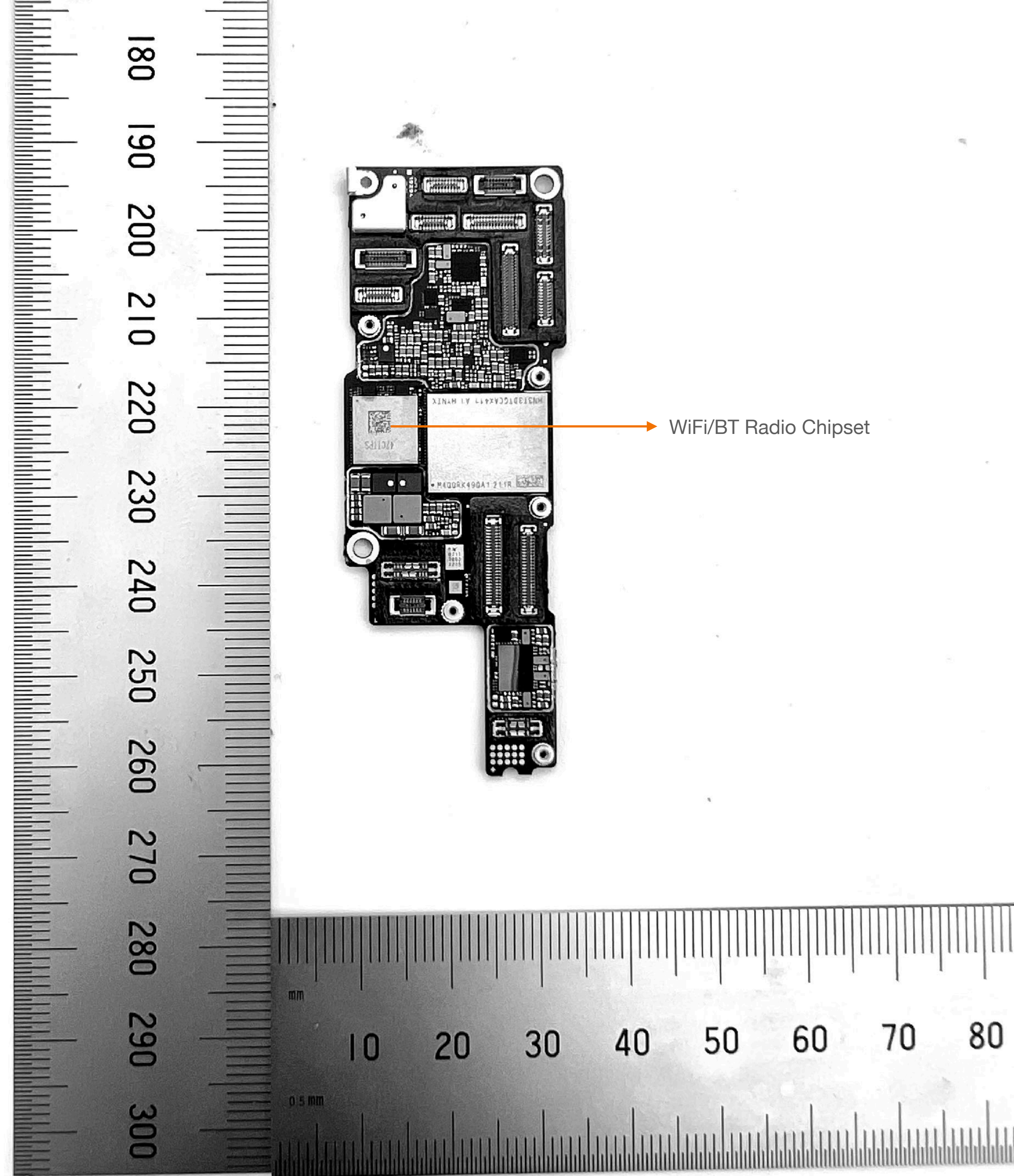
Bottom MLB - Front



Cellular Radio Chipset

A2651

Top MLB without Shields - Front



WiFi/BT Radio Chipset

A2651

Bottom MLB without Shields - Back

