

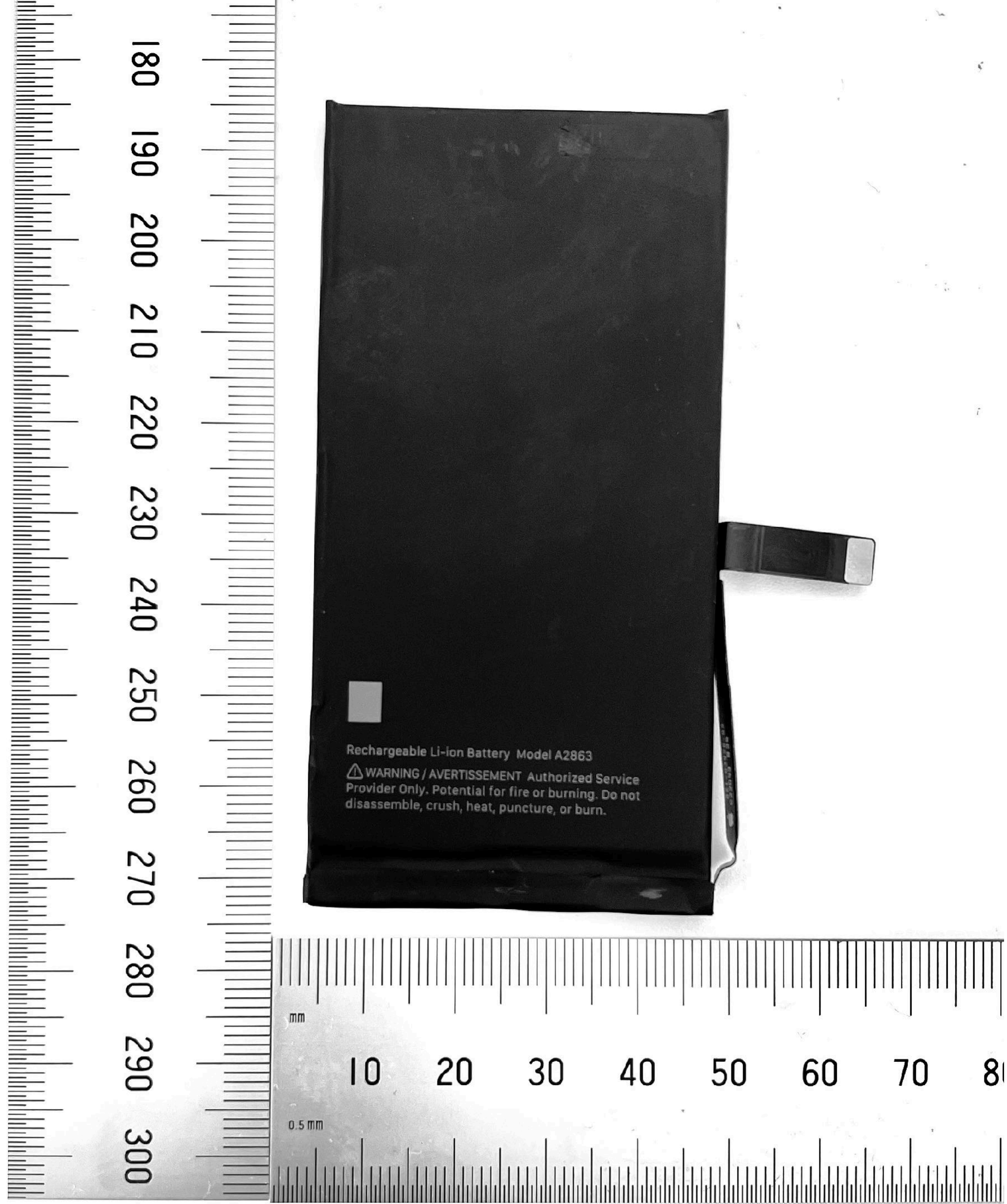
A2649

Touch Screen Assembly, Earpiece,
Microphone - Back



A2649

Battery - Front



180
190
200
210
220
230
240
250
260
270
280
290
300

Rechargeable Li-Ion Battery Model A2863
⚠ WARNING / AVERTISSEMENT Authorized Service
Provider Only. Potential for fire or burning. Do not
disassemble, crush, heat, puncture, or burn.

mm
10 20 30 40 50 60 70 80
0.5 mm



A2649

Back Plate - Front



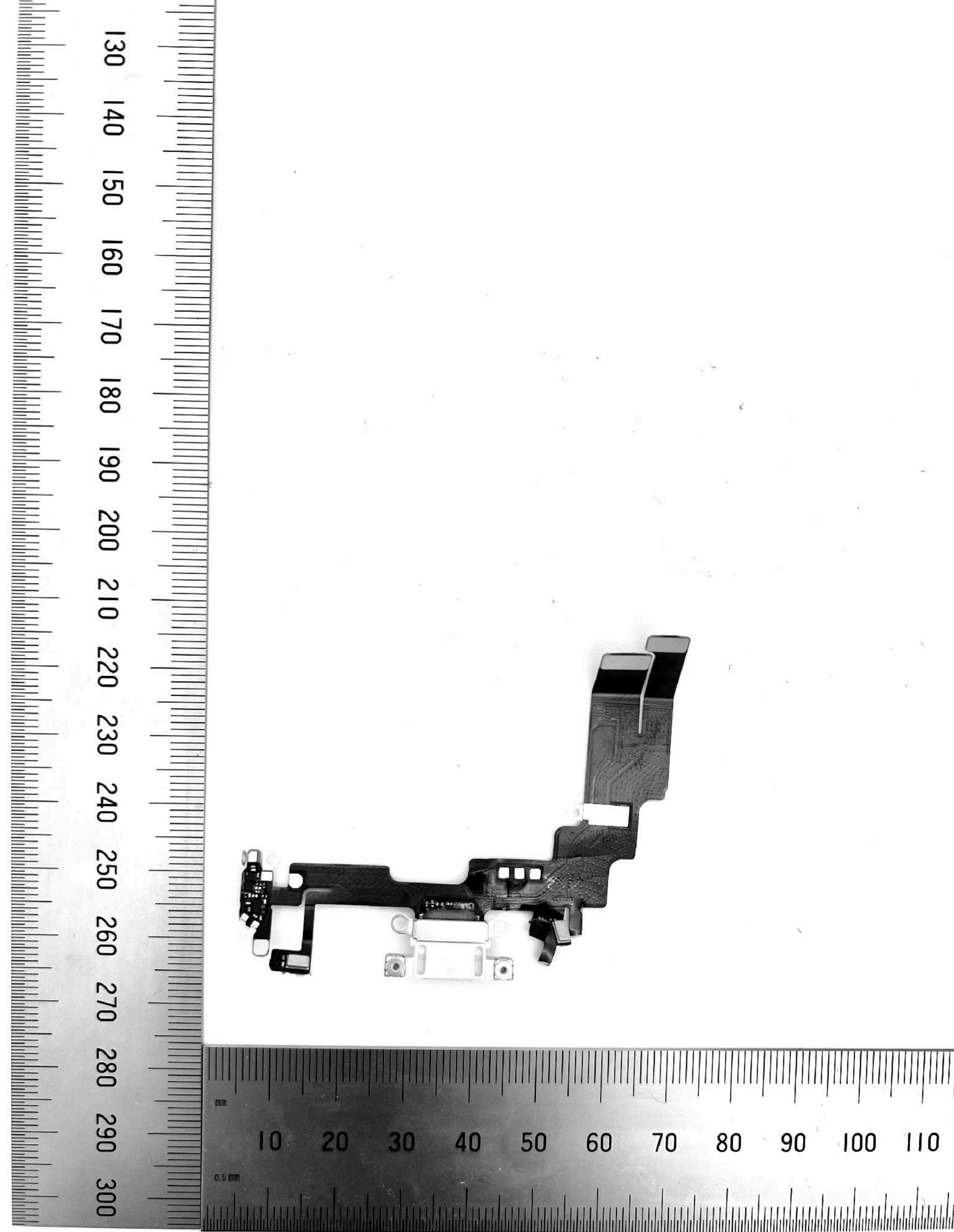
A2649

Back Plate - Back



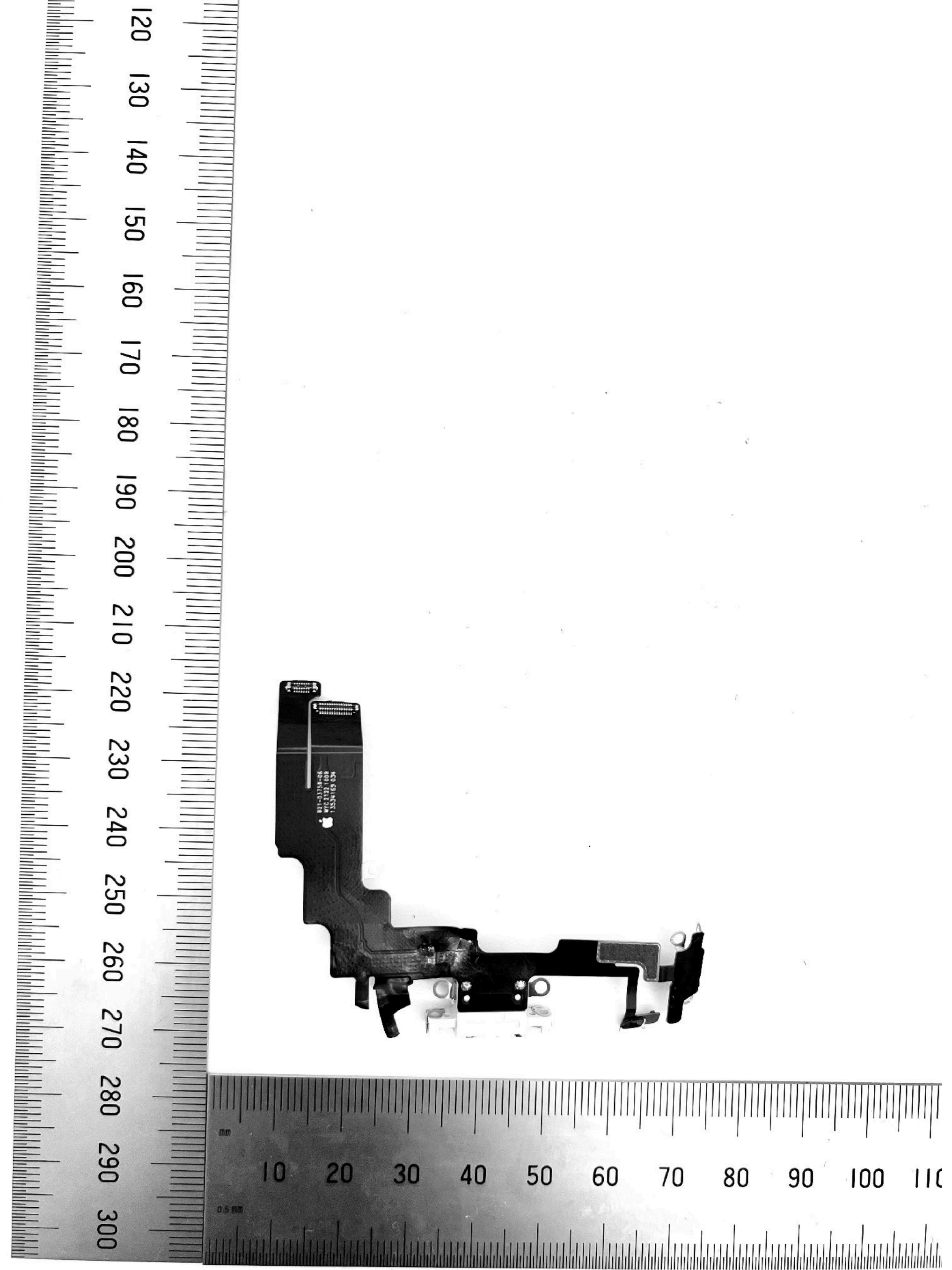
A2649

Flex Assembly with lightning
connector, Microphone , ANT7 -
Front



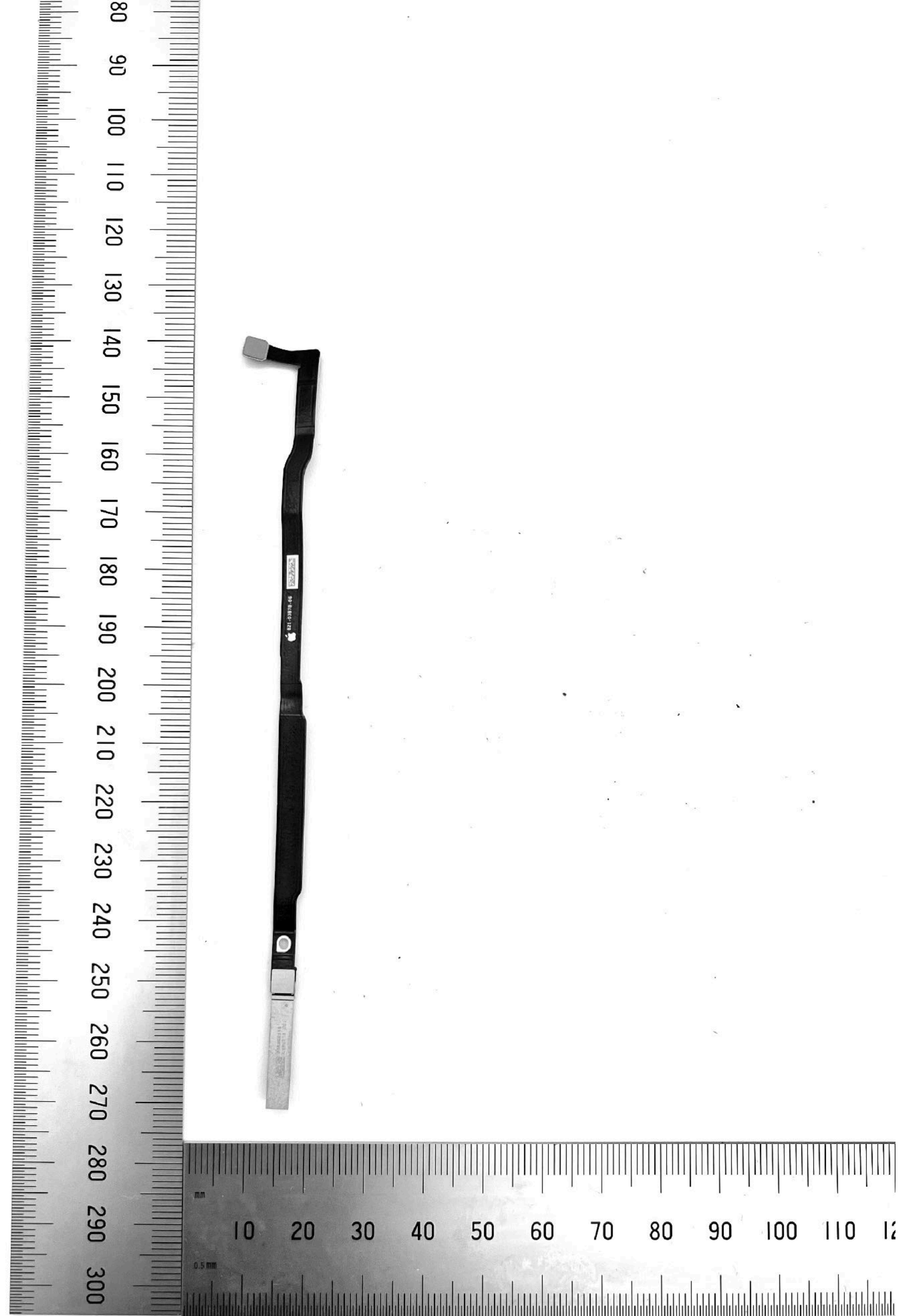
A2649

Flex Assembly with lightning
connector, Microphone , ANT7 -
Back



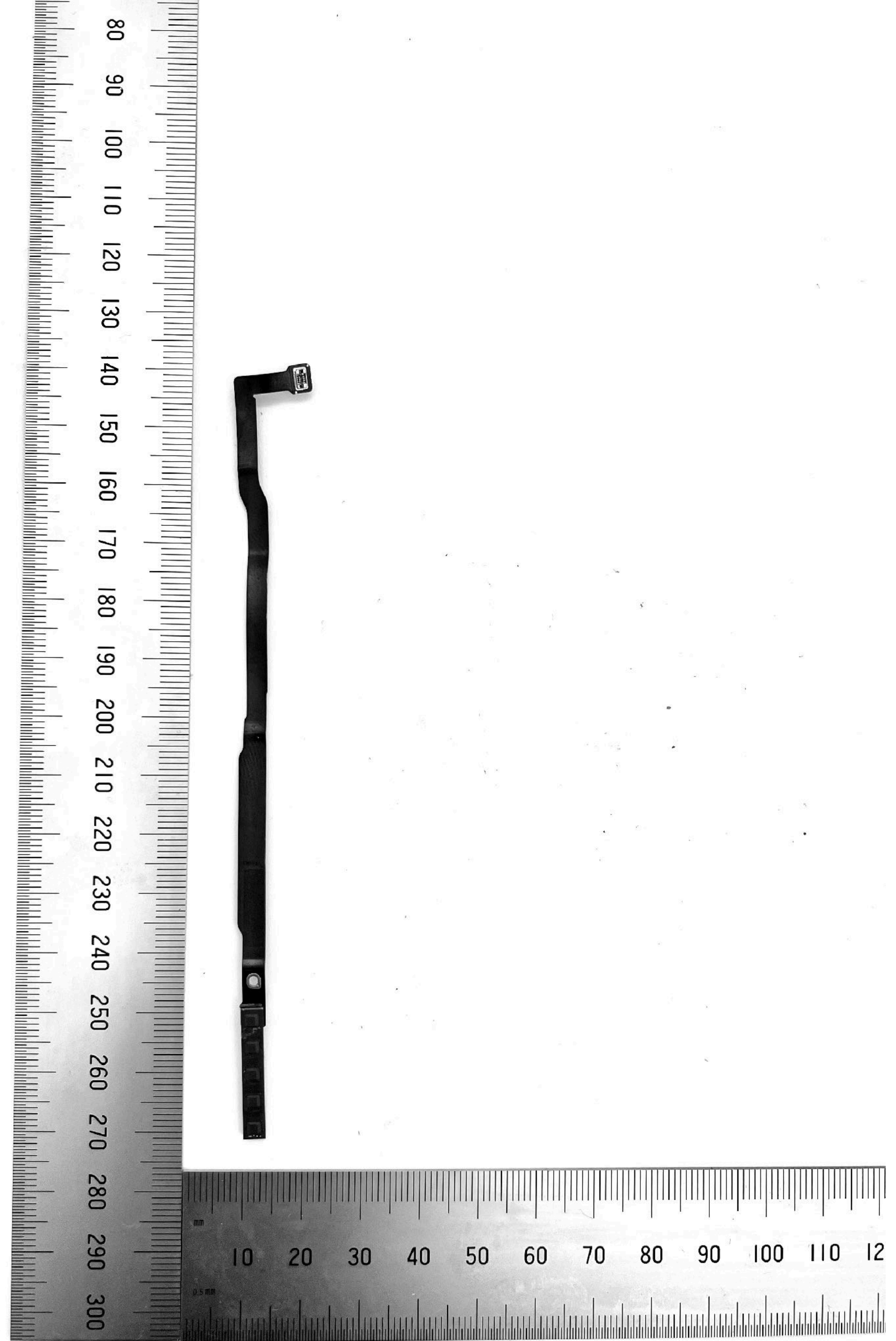
A2649

ANT M3 mmWave - Front



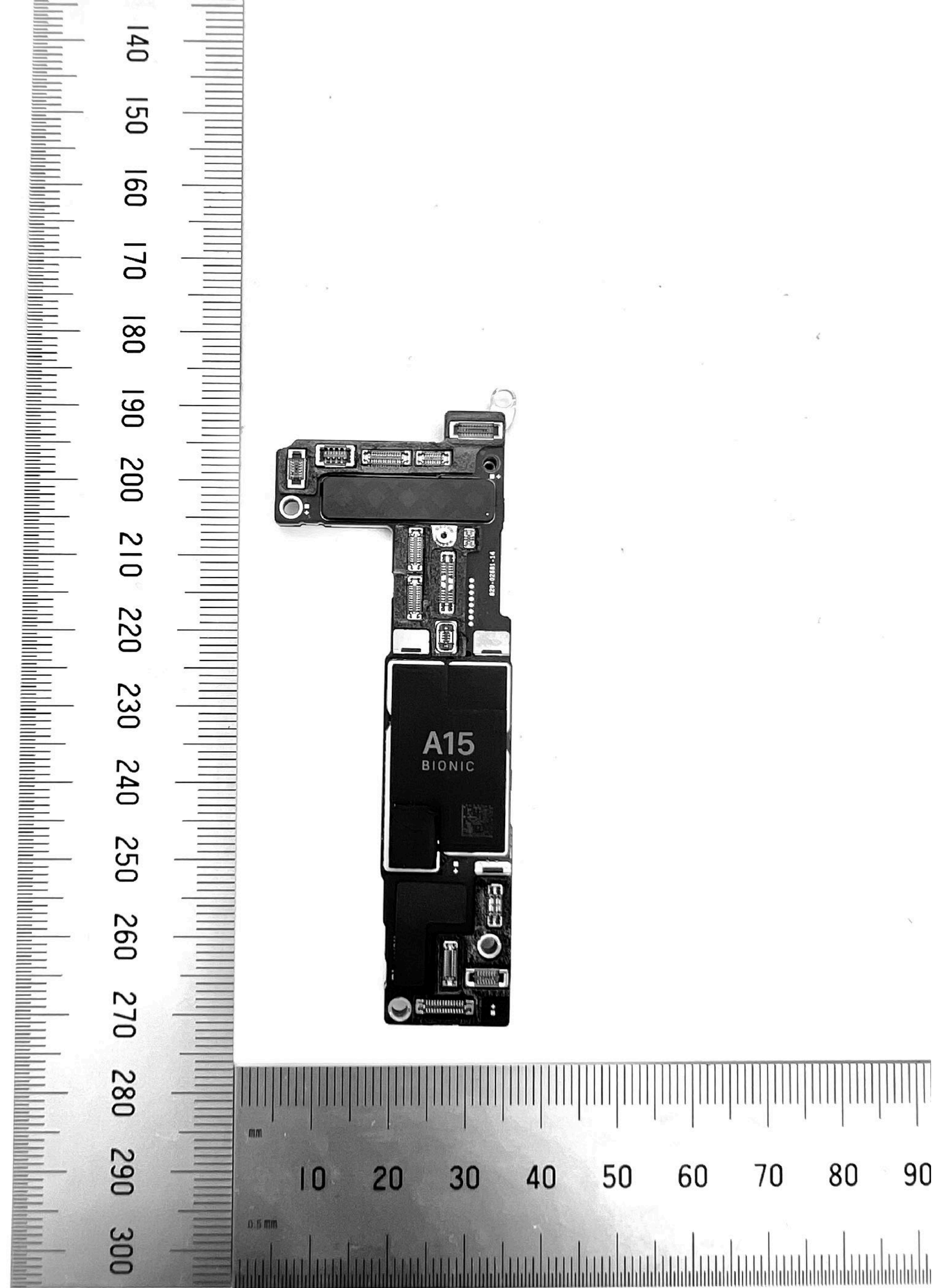
A2649

ANT M3 mmWave - Back



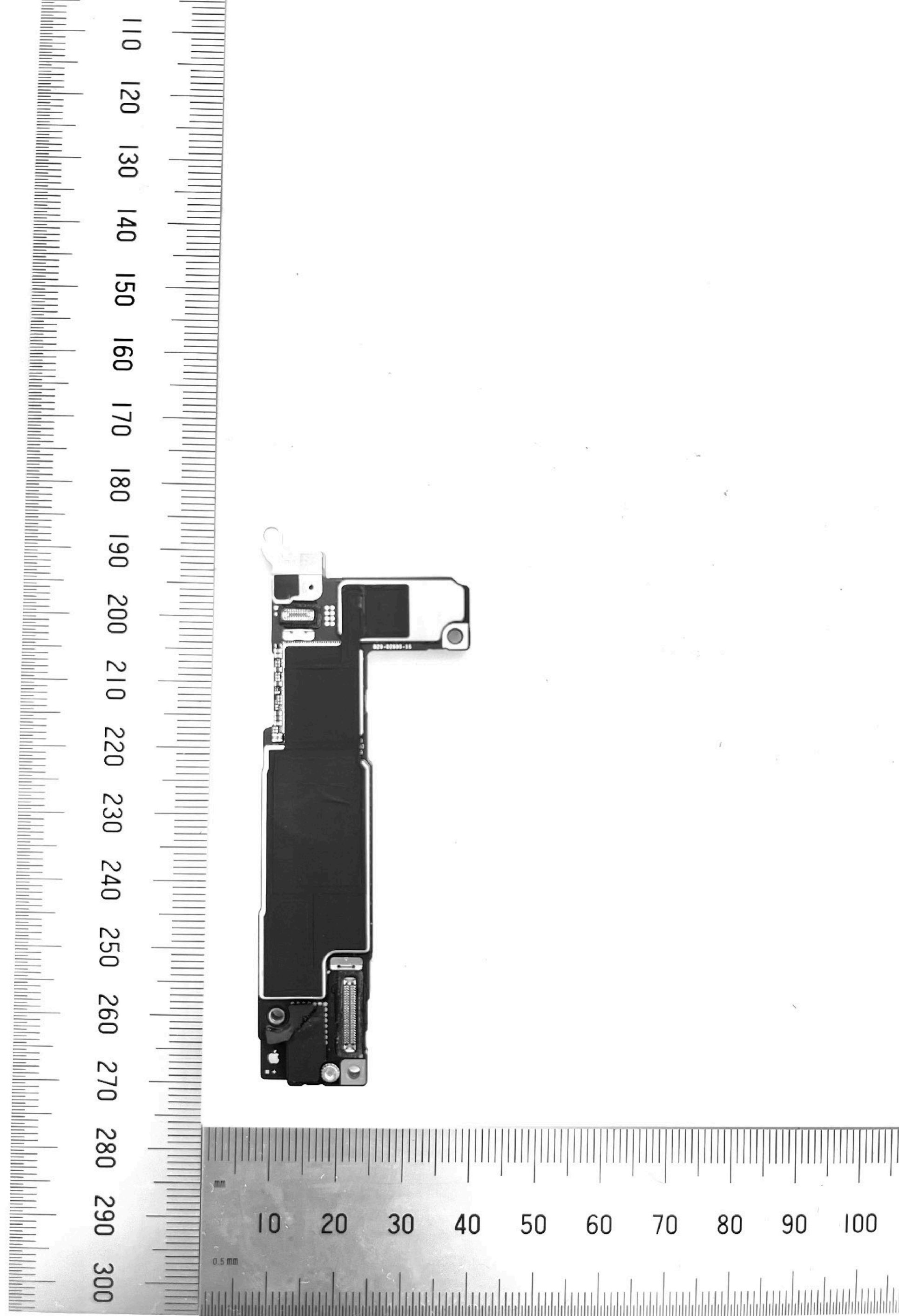
A2649

MLB, mmWave ANT M2 - Front



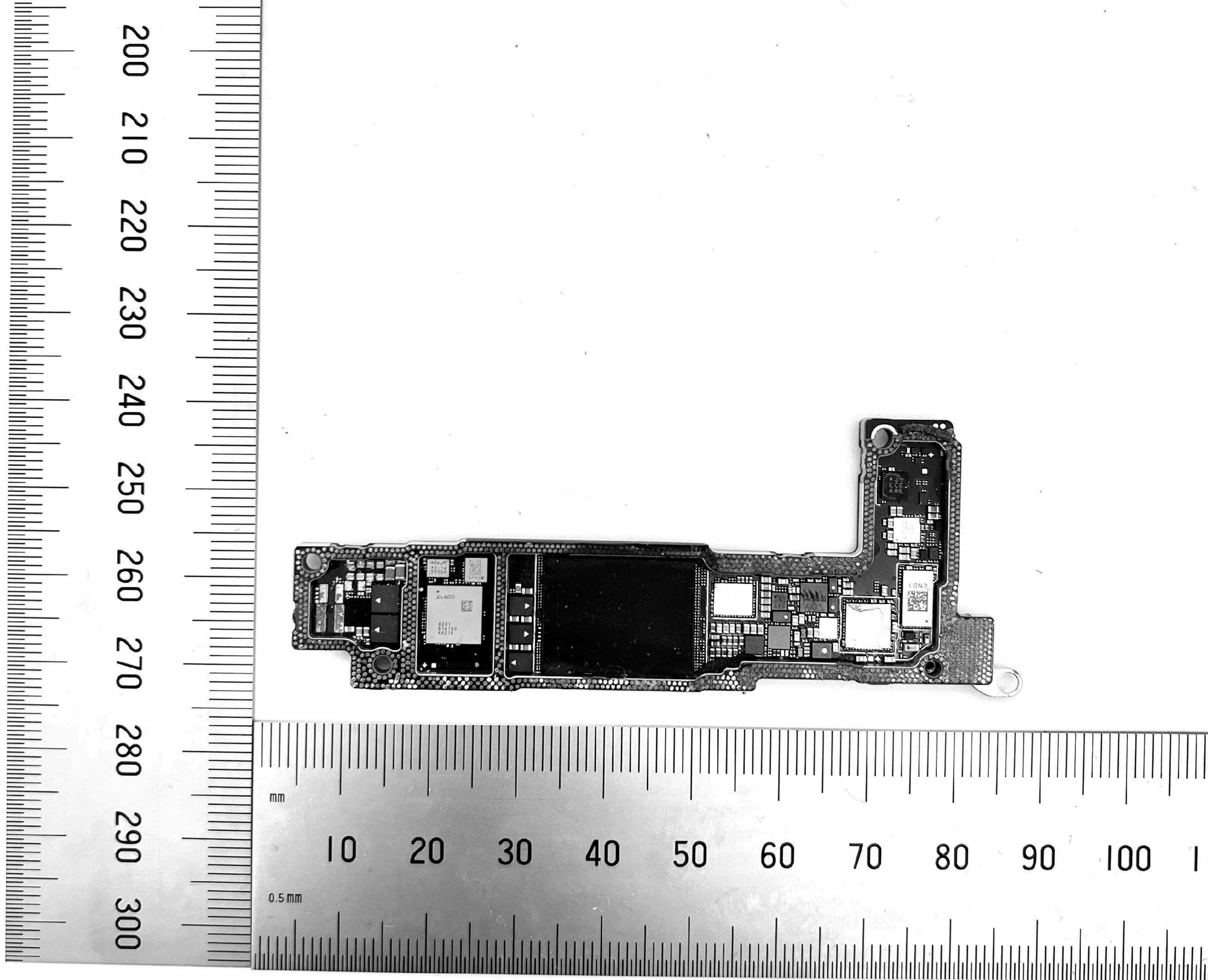
A2649

MLB, mmWave ANT M2 - Back



A2649

Bottom MLB - Front



200 210 220 230 240 250 260 270 280 290 300

mm

10 20 30 40 50 60 70 80 90 100 1

0.5 mm