

HAC-RF Emission

Communication System: UID 0, CW; Frequency: 835 MHz; Duty Cycle: 1:1

Phantom section: RF Section

DASY5 Configuration:

- Probe: ER3DV6 - SN2339; ConvF(1, 1, 1); Calibrated: 2/26/2015;
- Sensor-Surface: (Fix Surface)
- Electronics: DAE3 Sn427; Calibrated: 1/14/2015
- Phantom: HAC Test Arch with AMCC; Type: SD HAC P01 BB
- Measurement SW: DASY52, Version 52.8 (7);SEMCAD X Version 14.6.10 (7164)

Dipole E-Field measurement/835 MHz/Hearing Aid Compatibility Test at 15mm distance

(41x361x1): Interpolated grid: dx=0.5000 mm, dy=0.5000 mm

Device Reference Point: 0, 0, -6.3 mm

Reference Value = 118.0 V/m; Power Drift = 0.05 dB

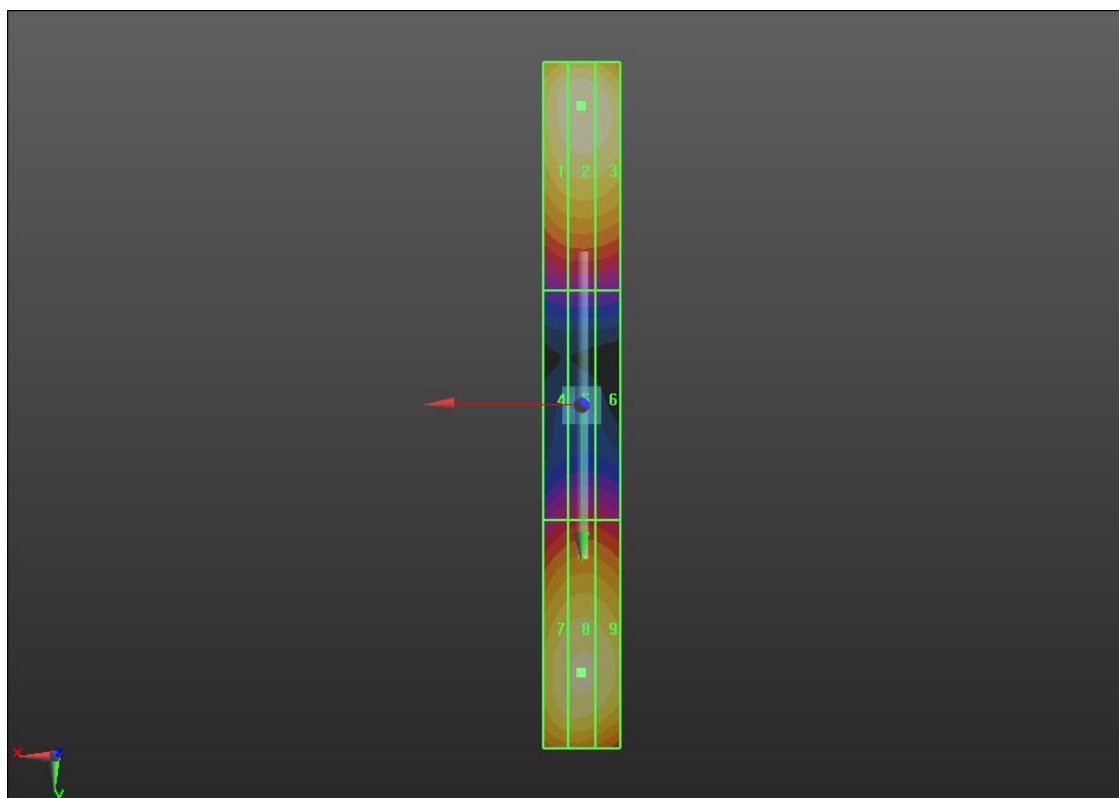
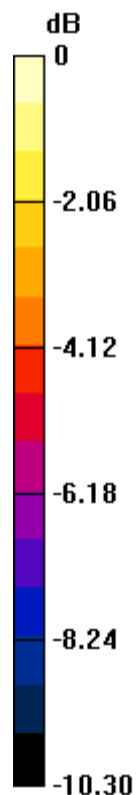
PMR not calibrated. PMF = 1.000 is applied.

E-field emissions = 111.0 V/m

Near-field category: **M4 (AWF 0 dB)**

PMF scaled E-field

Grid 1 M4 108.8 V/m	Grid 2 M4 111.0 V/m	Grid 3 M4 109.3 V/m
Grid 4 M4 60.52 V/m	Grid 5 M4 62.02 V/m	Grid 6 M4 61.49 V/m
Grid 7 M4 102.7 V/m	Grid 8 M4 104.6 V/m	Grid 9 M4 103.0 V/m



$$0 \text{ dB} = 111.0 \text{ V/m} = 40.91 \text{ dBV/m}$$

HAC-RF Emission

Communication System: UID 0, CW (0); Frequency: 1730 MHz; Duty Cycle: 1:1

Phantom section: RF Section

DASY5 Configuration:

- Probe: ER3DV6 - SN2339; ConvF(1, 1, 1); Calibrated: 2/26/2015;
- Sensor-Surface: (Fix Surface)
- Electronics: DAE3 Sn427; Calibrated: 1/14/2015
- Phantom: HAC Test Arch with AMCC; Type: SD HAC P01 BB
- Measurement SW: DASY52, Version 52.8 (7); SEMCAD X Version 14.6.10 (7164)

Dipole E-Field measurement/1730 MHz/Hearing Aid Compatibility Test at 15mm distance (41x181x1): Interpolated grid: dx=0.5000 mm, dy=0.5000 mm

Device Reference Point: 0, 0, -6.3 mm

Reference Value = 143.0 V/m; Power Drift = 0.01 dB

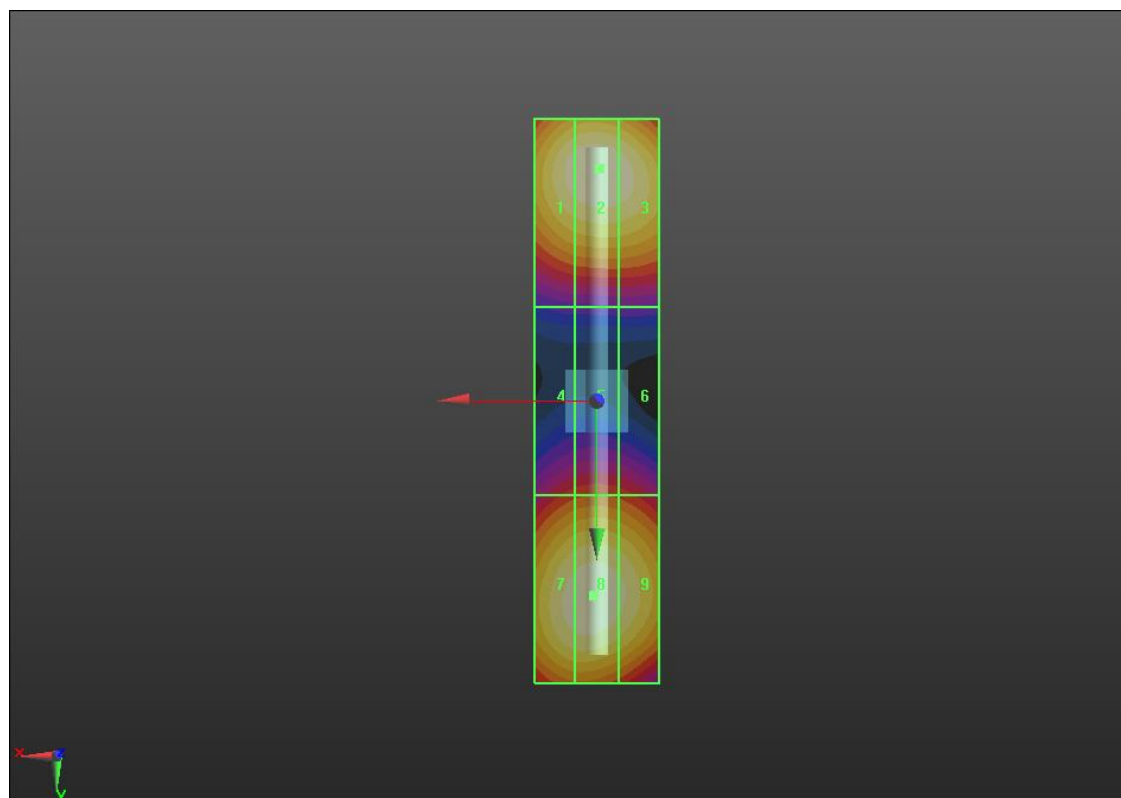
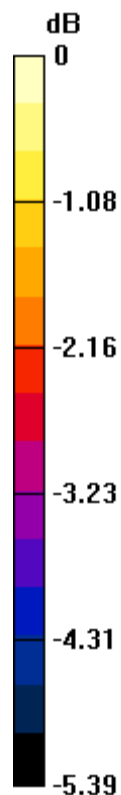
PMR not calibrated. PMF = 1.000 is applied.

E-field emissions = 93.49 V/m

Near-field category: **M3 (AWF 0 dB)**

PMF scaled E-field

Grid 1 M3 91.87 V/m	Grid 2 M3 93.49 V/m	Grid 3 M3 92.34 V/m
Grid 4 M3 71.98 V/m	Grid 5 M3 73.10 V/m	Grid 6 M3 72.13 V/m
Grid 7 M3 92.06 V/m	Grid 8 M3 93.08 V/m	Grid 9 M3 90.98 V/m



$$0 \text{ dB} = 93.49 \text{ V/m} = 39.42 \text{ dBV/m}$$

HAC-RF Emission

Communication System: UID 0, CW; Frequency: 1880 MHz; Duty Cycle: 1:1

Phantom section: RF Section

DASY5 Configuration:

- Probe: ER3DV6 - SN2339; ConvF(1, 1, 1); Calibrated: 2/26/2015;
- Sensor-Surface: (Fix Surface)
- Electronics: DAE3 Sn427; Calibrated: 1/14/2015
- Phantom: HAC Test Arch with AMCC; Type: SD HAC P01 BB
- Measurement SW: DASY52, Version 52.8 (7); SEMCAD X Version 14.6.10 (7164)

Dipole E-Field measurement/1880 MHz/Hearing Aid Compatibility Test at 15mm distance (41x181x1): Interpolated grid: dx=0.5000 mm, dy=0.5000 mm

Device Reference Point: 0, 0, -6.3 mm

Reference Value = 130.6 V/m; Power Drift = -0.01 dB

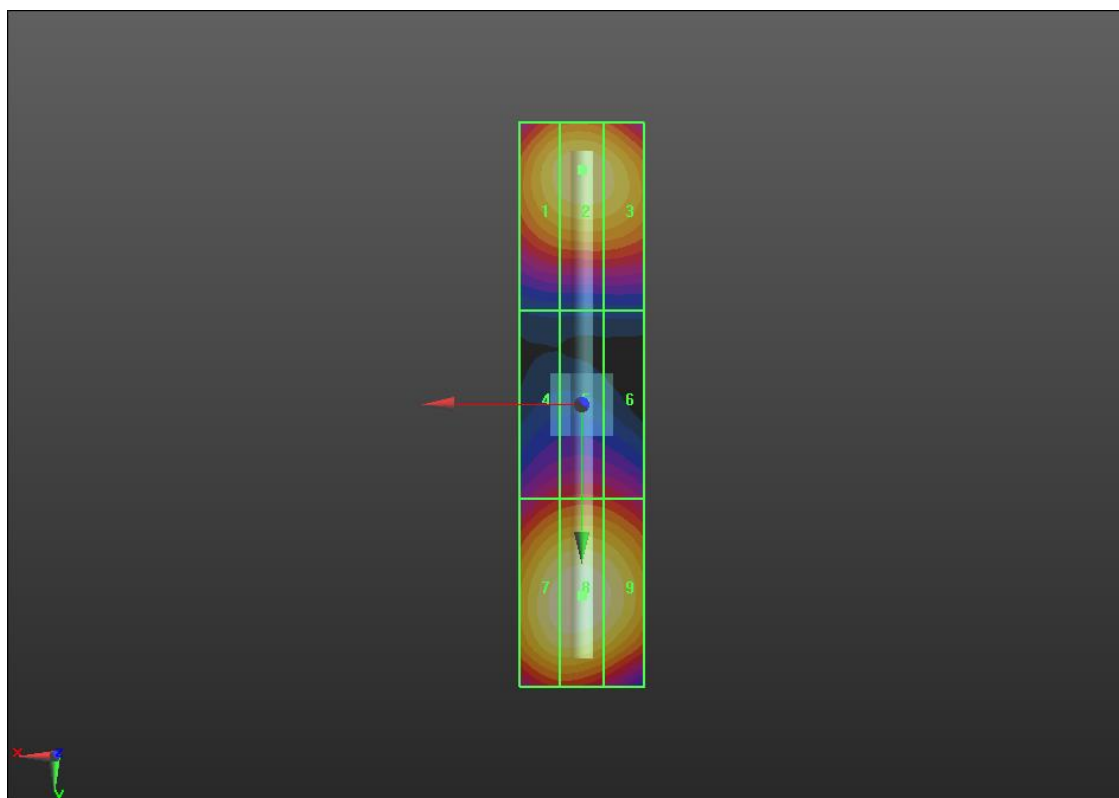
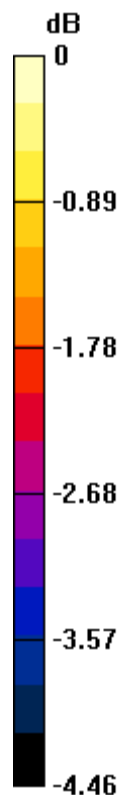
PMR not calibrated. PMF = 1.000 is applied.

E-field emissions = 86.75 V/m

Near-field category: **M3 (AWF 0 dB)**

PMF scaled E-field

Grid 1 M3 82.36 V/m	Grid 2 M3 83.65 V/m	Grid 3 M3 82.56 V/m
Grid 4 M3 68.28 V/m	Grid 5 M3 69.34 V/m	Grid 6 M3 68.67 V/m
Grid 7 M3 85.73 V/m	Grid 8 M3 86.75 V/m	Grid 9 M3 84.95 V/m



$$0 \text{ dB} = 86.75 \text{ V/m} = 38.77 \text{ dBV/m}$$

HAC-RF Emission_Wi-Fi 2.4GHz

Frequency: 2450 MHz; Duty Cycle: 1:1; Room Ambient Temperature: 24.0°C; Liquid Temperature: 23.0°C
 Medium parameters used: $\sigma = 0 \text{ S/m}$, $\epsilon_r = 1$; $\rho = 0 \text{ kg/m}^3$

DASY5 Configuration:

- Area Scan Setting: Find Secondary Maximum Within: 2.0 dB and with a peak SAR value greater than 0.0012W/kg
- Electronics: DAE3 Sn427; Calibrated: 1/14/2015
- Probe: ER3DV6 - SN2339; ConvF(1, 1, 1); Calibrated: 2/26/2015;
- Sensor-Surface: (Fix Surface)
- Phantom: HAC Test Arch with AMCC; Type: SD HAC P01 BB; Serial: 1155

Dipole E-Field measurement/2450 MHz/Hearing Aid Compatibility Test at 15mm distance (41x181x1): Interpolated grid: dx=0.5000 mm, dy=0.5000 mm

Device Reference Point: 0, 0, -6.3 mm

Reference Value = 80.56 V/m; Power Drift = -0.13 dB

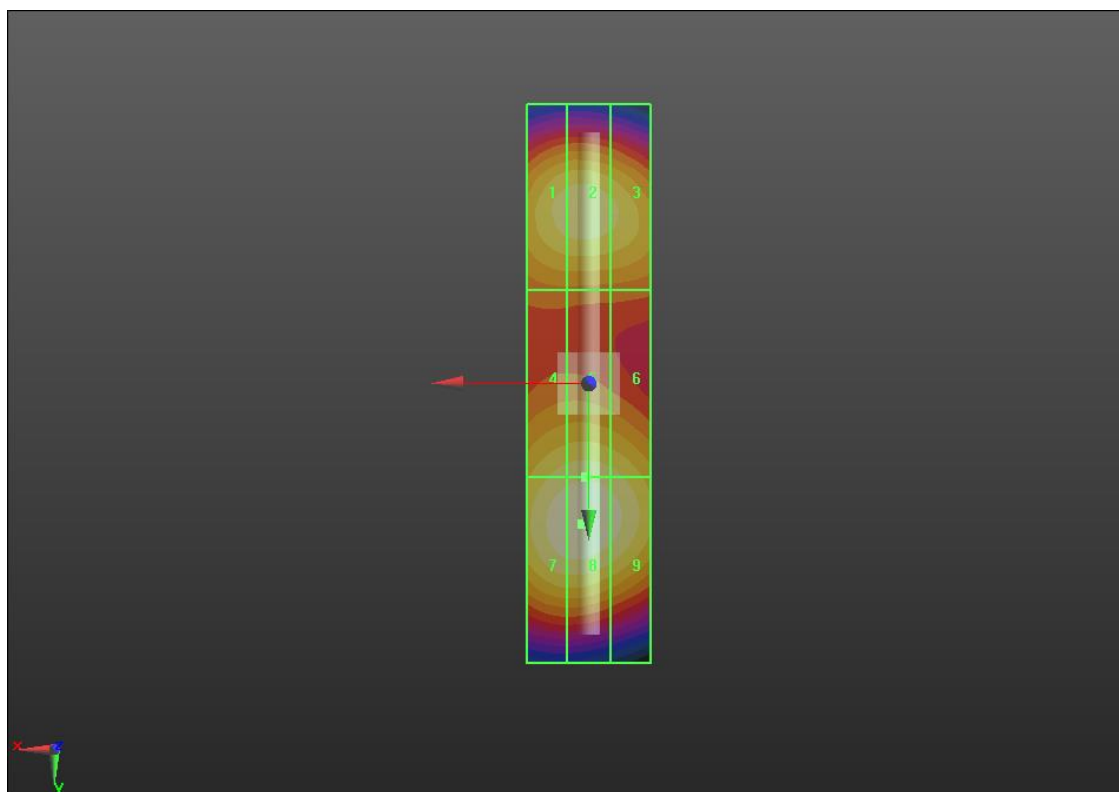
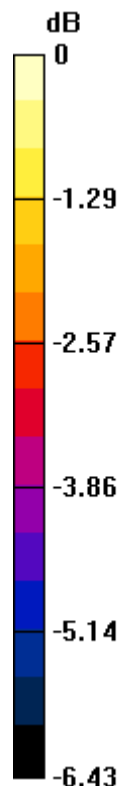
PMR not calibrated. PMF = 1.000 is applied.

E-field emissions = 89.50 V/m

Near-field category: **M3 (AWF 0 dB)**

PMF scaled E-field

Grid 1 M3 83.43 V/m	Grid 2 M3 84.30 V/m	Grid 3 M3 82.23 V/m
Grid 4 M3 83.64 V/m	Grid 5 M3 84.56 V/m	Grid 6 M3 83.03 V/m
Grid 7 M3 88.76 V/m	Grid 8 M3 89.50 V/m	Grid 9 M3 87.24 V/m



0 dB = 89.50 V/m = 39.04 dBV/m

HAC-RF Emission

Communication System: UID 0, CW (0); Frequency: 2600 MHz; Duty Cycle: 1:1

Phantom section: RF Section

DASY5 Configuration:

- Probe: ER3DV6 - SN2339; ConvF(1, 1, 1); Calibrated: 2/26/2015;
- Sensor-Surface: (Fix Surface)
- Electronics: DAE3 Sn427; Calibrated: 1/14/2015
- Phantom: HAC Test Arch with AMCC; Type: SD HAC P01 BB
- Measurement SW: DASY52, Version 52.8 (7); SEMCAD X Version 14.6.10 (7164)

Dipole E-Field measurement/2600 MHz/Hearing Aid Compatibility Test at 15mm distance (41x181x1): Interpolated grid: dx=0.5000 mm, dy=0.5000 mm

Device Reference Point: 0, 0, -6.3 mm

Reference Value = 68.30 V/m; Power Drift = 0.05 dB

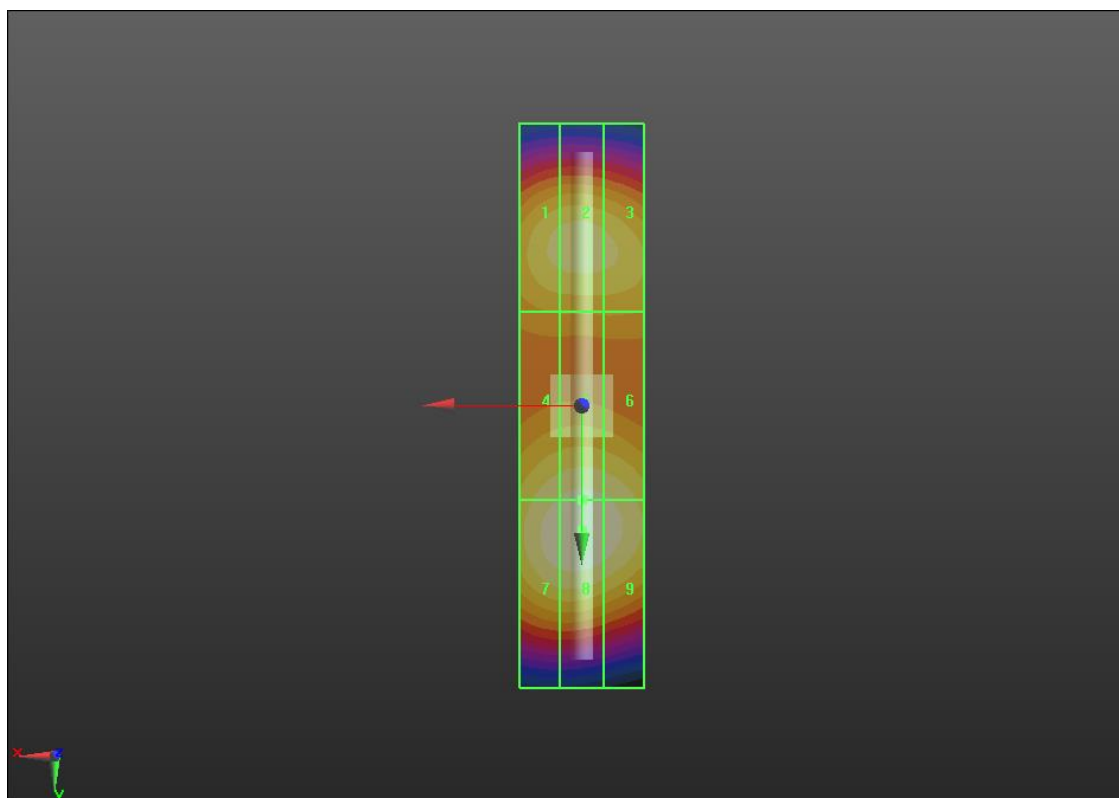
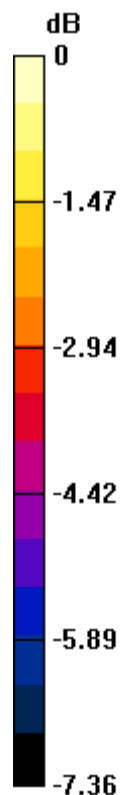
PMR not calibrated. PMF = 1.000 is applied.

E-field emissions = 89.27 V/m

Near-field category: **M3 (AWF 0 dB)**

PMF scaled E-field

Grid 1 M3 81.51 V/m	Grid 2 M3 82.46 V/m	Grid 3 M3 81.34 V/m
Grid 4 M3 84.85 V/m	Grid 5 M3 86.39 V/m	Grid 6 M3 85.20 V/m
Grid 7 M3 88.02 V/m	Grid 8 M3 89.27 V/m	Grid 9 M3 87.66 V/m



0 dB = 89.27 V/m = 39.01 dBV/m