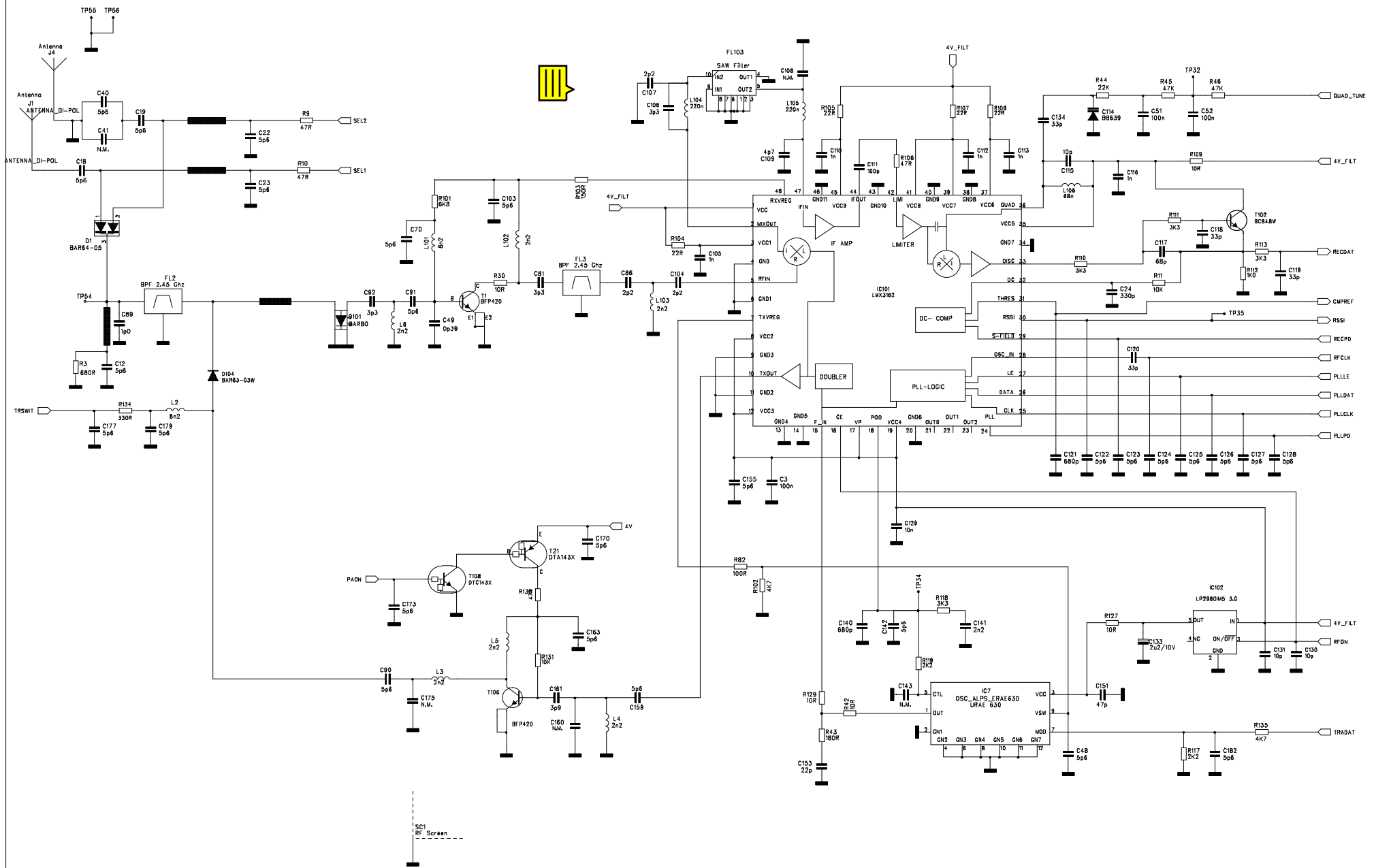
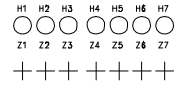
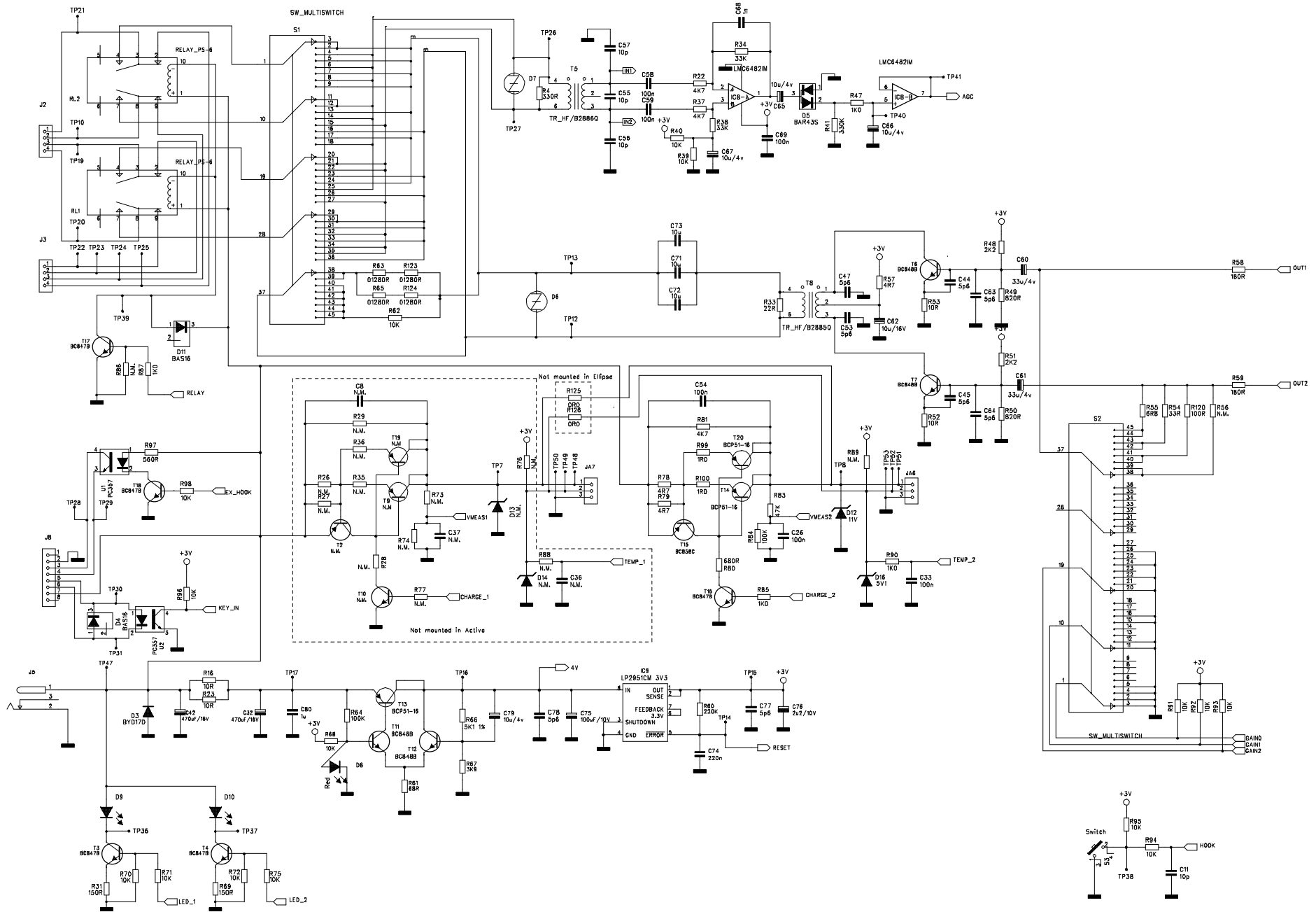


PROJECT	Active BS	VER	3
TITLE	BASEBAND	REV	A
DATE	002020	REF	JM
FILENAME	Active_BS_v1_Rev.sch		
SHEET OF SHEETS	1/3		



PROJECT	Active BS	VER	3
TITLE	RF	REV	A
DATE	000205	REF	CS
FILENAME	Active_bs_v3_Re.sch		
SHEET OF SHEETS	2/3		





PROJECT	Active BS	VER	3
TITLE	LINE	REV	A
DATE	000205	REF	JM
FILENAME	Active_BS_v3_Re.sch		
SHEET OF SHEETS	3/3		

