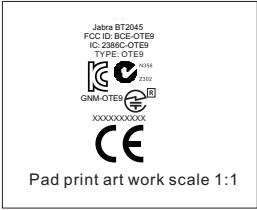


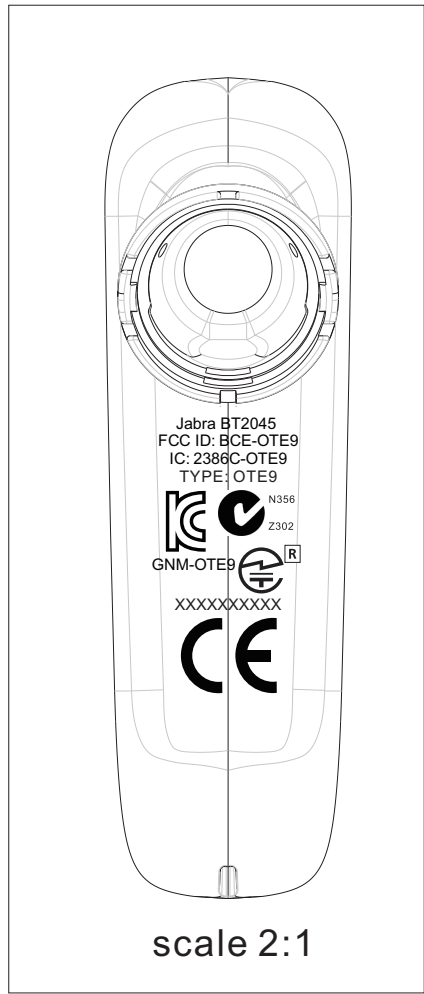
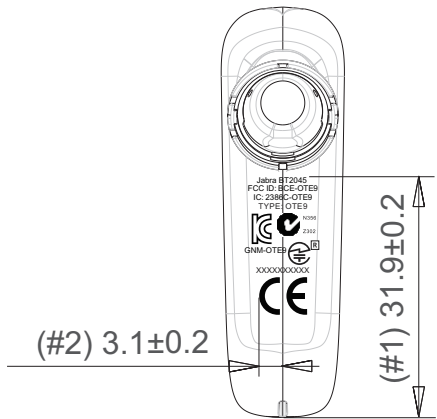
8



7

6

5



4

Note:
Pad print color: Pantone Cool Gray10C.

3

CosmeticStandard:GSC.ST.00002
PartMarking.:GSC.PR.00102

CONFIDENTIALITY NOTICE:
This document is the property of GNNetcom A/S and must be treated as confidential. The document must not be used, or disclosed to any third party, without written permission by GNNetcom A/S. Copyright © 2008 GNNetcom A/S. All rights reserved.

Process control dimensions are remarked:

IQC/OQC Characteristics for Evaluation:
#1,2

Date of Change: 10-Feb-2011	Description of Change: Pre-release new drawing .		Responsible: Nancy Lv				
	Matr.Spec: (See B.O.M.)	3D revision: A	Created by: Nancy Lv	Created on: 10-Feb-2011	Tool marking: .	Drawing Scale: 1:1	Size: A4
	Matr.type: PC+ABS		Approved by: Mark Ye	Approved on: 10-Feb-2011	Units: mm	Projection: 	
	GNDPM file:		Document No: 50-05353	Doc.Revision: A	Design Status: PreReleased	Page No: 1 of 1	
Description: Rear Housing Pad Print Placement							

1

A B C D E F