



**Produkte**  
*Products*

<b>Prüfbericht - Nr.:</b> 14020900 001		<b>Seite 1 von 14</b>	
<i>Test Report No.:</i>		<i>Page 1 of 14</i>	
<b>Auftraggeber:</b> <i>Client:</i>	GN Netcom A/S Lautrupbjerg 7 DK-2750 Ballerup Denmark		
<b>Gegenstand der Prüfung:</b> <i>Test Item:</i>	Bluetooth Headset		
<b>Bezeichnung:</b> <i>Identification:</i>	OTE4	<b>Serien-Nr.:</b> <i>Serial No.:</i>	Engineering sample
<b>Wareneingangs-Nr.:</b> <i>Receipt No.:</i>	090302127-13	<b>Eingangsdatum:</b> <i>Date of Receipt:</i>	02.03.2009
<b>Prüfört:</b> <i>Testing Location:</i>	<b>TÜV Rheinland Hong Kong Ltd.</b> 9-10/F., Emperor International Square, 7 Wang Tai Road, Kowloon Bay, Kowloon, Hong Kong <b>Hong Kong Productivity Council</b> HKPC Building, 78 Tat Chee Avenue, Kowloon, Hong Kong		
<b>Prüfgrundlage:</b> <i>Test Specification:</i>	<b>FCC Part 15 Subpart C</b> <b>ANSI C63.4-2003</b> <b>CISPR 22:1997</b>		
<b>Prüfergebnis:</b> <i>Test Results:</i>	<b>Das vorstehend beschriebene Gerät wurde geprüft und entspricht oben genannter Prüfgrundlage.</b>  The above mentioned product was tested and <b>passed</b> .		
<b>Prüflaboratorium:</b> <i>Testing Laboratory:</i>	<b>TÜV Rheinland Hong Kong Ltd.</b> 9-10/F., Emperor International Square , 7 Wang Tai Road, Kowloon Bay, Kowloon, Hong Kong		
<b>geprüft/ tested by:</b>		<b>kontrolliert/ reviewed by:</b>	
17.03.2009	Mika Chan Project Engineer	17.03.2009	Sharon Li Project Manager
<b>Datum</b> <i>Date</i>	<b>Name/Stellung</b> <i>Name/Position</i>	<b>Unterschrift</b> <i>Signature</i>	<b>Datum</b> <i>Date</i>
			
<b>Sonstiges:</b> <i>Other Aspects</i>	FCCID: BCE-OTE4		
<b>Abkürzungen:</b>	<i>P(ass) = entspricht Prüfgrundlage</i> <i>F(ail) = entspricht nicht Prüfgrundlage</i> <i>N/A = nicht anwendbar</i> <i>N/T = nicht getestet</i>	<b>Abbreviations:</b>	<i>P(ass) = passed</i> <i>F(ail) = failed</i> <i>N/A = not applicable</i> <i>N/T = not tested</i>
<b>Dieser Prüfbericht bezieht sich nur auf das o.g. Prüfmuster und darf ohne Genehmigung der Prüfstelle nicht auszugsweise vervielfältigt werden. Dieser Bericht berechtigt nicht zur Verwendung eines Prüfzeichens.</b> <i>This test report relates to the a. m. test sample. Without permission of the test center this test report is not permitted to be duplicated in extracts. This test report does not entitle to carry any safety mark on this or similar products.</i>			

## Table of Content

	<b>Page</b>
<b>Cover Page</b> .....	<b>1</b>
<b>Table of Content</b> .....	<b>2</b>
<b>Product information</b> .....	<b>3</b>
<b>Manufacturers declarations</b> .....	<b>3</b>
<b>Product function and intended use</b> .....	<b>4</b>
<b>Submitted documents</b> .....	<b>4</b>
<b>Special accessories and auxiliary equipment</b> .....	<b>4</b>
<b>List of Test and Measurement Instruments</b> .....	<b>5</b>
<b>Results FCC Part 15 – Subpart C</b> .....	<b>6</b>
Subclause 15.203 – Antenna Information .....	<b>Pass</b> ..... <b>6</b>
Subclause 15.204 – Antenna Information .....	<b>Pass</b> ..... <b>6</b>
Subclause 15.207 – Disturbance Voltage on AC Mains.....	<b>Pass</b> ..... <b>6</b>
Subclause 15.247 (a)(1) – Carrier Frequency Separation.....	<b>Pass</b> ..... <b>7</b>
Subclause 15.247 (a)(1)(iii) – Number of hopping channels .....	<b>Pass</b> ..... <b>7</b>
Subclause 15.247 (a)(1)(iii) – Time of Occupancy (Dwell Time) .....	<b>Pass</b> ..... <b>8</b>
Subclause 15.247 (a) – 20 dB Bandwidth.....	<b>Pass</b> ..... <b>8</b>
Subclause 15.247 (a) – Hopping Sequence .....	<b>Pass</b> ..... <b>9</b>
Subclause 15.247 (a) – Equal Hopping Frequency Use.....	<b>Pass</b> ..... <b>10</b>
Subclause 15.247 (a) – Receiver Input Bandwidth.....	<b>Pass</b> ..... <b>11</b>
Subclause 15.247 (a) – Receiver Hopping Capability .....	<b>Pass</b> ..... <b>11</b>
Subclause 15.247 (b)(1) – Peak Output Power .....	<b>Pass</b> ..... <b>11</b>
Subclause 15.247 (d) – Band edge compliance of conducted emissions .....	<b>Pass</b> ..... <b>12</b>
Subclause 15.205 – Band edge compliance of radiated emissions .....	<b>Pass</b> ..... <b>12</b>
Subclause 15.247 (d) – Spurious Conducted Emissions .....	<b>Pass</b> ..... <b>13</b>
Subclause 15.247 (c) – Spurious Radiated Emissions .....	<b>Pass</b> ..... <b>13</b>
<b>Appendix 1 – Test protocols</b> .....	<b>22 pages</b>
<b>Appendix 2 – Test setup</b> .....	<b>3 pages</b>
<b>Appendix 3 – Photo documentation</b> .....	<b>5 pages</b>
<b>Appendix 4 – Product documentation</b> .....	<b>15 pages</b>

www.tuv.com

## Product information

### Manufacturers declarations

	<b>Transceiver</b>
Operating frequency range	2402 - 2480 MHz
Type of modulation	GFSK; Pi/4 DQPSK; 8 DPSK
Number of channels	79
Channel separation	1 MHz
Type of antenna	IFA
Antenna gain (dBi)	1
Power level	variable
Type of equipment	stand alone, plug-in radio device
Connection to public utility power line	No
Nominal voltage	$V_{\text{nor}}$ : 3.7 V
Independent Operation Modes	Page scan Inquiry scan Connection state - ACL Link Connection state - SCO Link

[www.tuv.com](http://www.tuv.com)

## Product function and intended use

The test item is a Bluetooth Headset based on the Bluetooth technology.

Bluetooth is a short-range radio link intended to be a cable replacement between portable and/or fixed electronic devices.

Bluetooth operates in the unlicensed ISM Band at 2.4GHz. With the introduction of the enhanced data rate (EDR) feature, the data rates can be up to 3 Mb/s.

An increase in the peak data rate beyond the basic rate of 1 Mb/s is achieved by modulating the RF carrier using phase shift keying (PSK) techniques, resulting in an increase of two to three times the number of bits per symbol. The 2 Mb/s EDR packets use a Pi/4-DQPSK modulation and the 3 Mb/s EDR packets use 8DPSK modulation.

## Submitted documents

Circuit Diagram  
Block Diagram  
Bill of material  
User manual

## Special accessories and auxiliary equipment

The product has been tested together with the following additional accessory:

AC/DC Power adaptor  
Model number: SSA-5W-05 US 050018F  
Input: 100-240VAC, 50/60Hz, 0.2A  
Output: 5.0VDC 180mA

www.tuv.com

## List of Test and Measurement Instruments

	Equipment used	Manufacturer	Model No.	S/N	Due Date
<input checked="" type="checkbox"/>	Semi-anechoic Chamber	Frankonia	Nil	Nil	28-Mar-09
<input checked="" type="checkbox"/>	Test Receiver	R & S	ESU26	100050	06-Aug-09
<input checked="" type="checkbox"/>	Bi-conical Antenna	R & S	HK116	100242	22-May-10
<input checked="" type="checkbox"/>	Log Periodic Antenna	R & S	HL223	841516/020	21-May-10
<input checked="" type="checkbox"/>	Coaxial cable 50ohm	Rosenberger	RTK081-05S-05S-10m	LA2-001-10M / 002	15-May-09
<input checked="" type="checkbox"/>	Microwave amplifier 0.5-26.5GHz, 25dB gain	HP	83017A	3950M00241	03-Oct-09
<input checked="" type="checkbox"/>	High Pass Filter (cutoff freq. =1000MHz)	Trilithic	23042	9829213	31-Oct-09
<input checked="" type="checkbox"/>	Horn Antenna	EMCO	3115	9002-3351	27-Feb-10
<input checked="" type="checkbox"/>	Spectrum Analyser	R & S	FSP 30	100416	08-Jun-09
<input checked="" type="checkbox"/>	Active Loop Antenna	EMCO	6502	9107-2651	20-Dec-09
<input checked="" type="checkbox"/>	Test Receiver	R & S	ESCS 30	100201	22-Dec-09
<input checked="" type="checkbox"/>	Artificial Mains Network	R & S	ESH3-Z5	100230	22-Dec-09
<input checked="" type="checkbox"/>	Pulse Limiter	R & S	ESH3-Z2	100161	22-Dec-09

## Results FCC Part 15 – Subpart C

<b>Subclause 15.203 – Antenna Information</b>						<b>Pass</b>
<b>Requirement:</b>	No antenna other than that furnished by the responsible party shall be used with the device					
<b>Results:</b>	Permanent attached antenna					
<b>Verdict:</b>	Pass					
<b>Subclause 15.204 – Antenna Information</b>						<b>Pass</b>
<b>Requirement:</b>	Provide information for every antenna proposed for the use with the EUT					
<b>Results:</b>	a) Antenna type:					IFA
	b) Manufacturer and model no:					N.A.
	c) Gain with reference to an isotropic radiator:					1 dBi
<b>Verdict:</b>	Pass					
<b>Subclause 15.207 – Disturbance Voltage on AC Mains</b>						<b>Pass</b>
Test Port: AC mains input port of the charger Applied voltage: 100VAC Applicable only to equipment designed to be connected to the public utility power line.						
1) Mode of operation: Charging (Test Adaptor: SSA-5W-05 US 050018F)						
<b>Live measurement</b>						
Frequency range (MHz)	Frequency (MHz)	Quasi-peak dB $\mu$ V	Average dB $\mu$ V	Limit QP (dB $\mu$ V)	Limit AV (dB $\mu$ V)	Verdict
0,15 – 0,5	0.228	21.6	5.9	66 - 56	56 - 46	Pass
	0.360	29.9	19.7	66 - 56	56 - 46	Pass
> 0,5 - 5	0.534	18.5	0.9	56	46	Pass
> 5 - 30	-	-	-	60	50	Pass
<b>Neutral measurement</b>						
Frequency range (MHz)	Frequency (MHz)	Quasi-peak dB $\mu$ V	Average dB $\mu$ V	Limit QP (dB $\mu$ V)	Limit AV (dB $\mu$ V)	Verdict
0,15 – 0,5	0.264	33.5	21.4	66 - 56	56 - 46	Pass
	0.312	33.0	24.2	66 - 56	56 - 46	Pass
	0.360	31.7	23.9	66 - 56	56 - 46	Pass
> 0,5 - 5	-	-	-	56	46	Pass
> 5 - 30	-	-	-	60	50	Pass
<b>Results:</b>	The radio frequency voltage that is conducted back onto the AC power line on any frequency or frequencies within the band 150kHz to 30MHz does not exceed the limits. For test Results plots refer to Appendix 1, page 2-3.					

<b>Subclause 15.247 (a)(1) – Carrier Frequency Separation</b>		<b>Pass</b>
<b>Requirement:</b>	Frequency hopping systems shall have hopping channel carrier frequencies separated by a minimum of 25kHz or the $2/3 \cdot 20\text{dB}$ bandwidth of the hopping channel, whichever is greater.	
Test Specification	: FCC Part 15 Subpart A – Subclause 15.31	
Mode of operation	: Tx mode (hopping on), GFSK	
Port of testing	: Temporary antenna port	
Detector	: Peak	
RBW/VBW	: 100 kHz / 300 kHz	
Supply voltage	: 3.7VDC from DC power supply	
Temperature	: 23°C	
Humidity	: 50%	
<b>Results:</b>	The centre frequencies of the hopping channels are separated by more than the $2/3 \cdot 20\text{dB}$ bandwidth. For test Results plots refer to Appendix 1, page 4.	
<b>Verdict:</b>	Pass	

<b>Subclause 15.247 (a)(1)(iii) – Number of hopping channels</b>		<b>Pass</b>
<b>Requirement:</b>	Frequency hopping systems operating in the 2400MHz-2483.5MHz bands shall use at least 15 hopping frequencies.	
Test Specification	: FCC Part 15 Subpart A – Subclause 15.31	
Mode of operation	: Tx mode (hopping on), GFSK	
Port of testing	: Temporary antenna port	
Detector	: Peak	
RBW/VBW	: 1 MHz / 3 MHz	
Supply voltage	: 3.7VDC from DC power supply	
Temperature	: 23°C	
Humidity	: 50%	
<b>Results:</b>	The total number of hopping frequencies is more than 15. For test Results plots refer to Appendix 1, page 5.	
<b>Verdict:</b>	Pass	



<b>Subclause 15.247 (a)(1)(iii) – Time of Occupancy (Dwell Time)</b>		<b>Pass</b>
<b>Requirement:</b>	Frequency hopping systems in the 2400-2483.5 MHz band shall use at least 15 channels. The average time of occupancy on any channel shall not be greater than 0.4 seconds within a period of 0.4 seconds multiplied by the number of hopping channels employed.	
Test Specification	: FCC Part 15 Subpart A – Subclause 15.31	
Mode of operation	: Tx mode (hopping on), DH5 packet	
Port of testing	: Temporary antenna port	
Detector	: Peak	
RBW/VBW	: 1 MHz / 3 MHz	
Supply voltage	: 3.7VDC from DC power supply	
Temperature	: 23°C	
Humidity	: 50%	
<b>Results:</b>	Time period calculation = $0.4 \times 79 = 31.6\text{s}$ Dwell time = $64 \times 2.896 \times 10^{-3} = 185.3 \times 10^{-3}$ $\leq 400 \times 10^{-3} \text{ s}$	
	For test protocols please refer to Appendix 1, page 6-7.	
<b>Verdict:</b>	Pass	

<b>Subclause 15.247 (a) – 20 dB Bandwidth</b>		<b>Pass</b>	
<b>Requirement:</b>	Frequency hopping systems shall have hopping channel carrier frequencies separated by a minimum of 25kHz or the $\frac{2}{3} \times 20\text{dB}$ bandwidth of the hopping channel, whichever is greater.		
Test Specification	: FCC Part 15 Subpart A – Subclause 15.31		
Mode of operation	: Tx mode (2402MHz, 2441MHz, 2480MHz), (8DPSK)		
Port of testing	: Temporary antenna port		
Detector	: Peak		
RBW/VBW	: 30 kHz / 100 kHz		
Supply voltage	: 3.7VDC from DC power supply		
Temperature	: 23°C		
Humidity	: 50%		
<b>Results:</b>	For test protocols refer to Appendix 1, page 8-9.		
<b>Frequency (MHz)</b>	<b>20 dB left (MHz)</b>	<b>20 dB right (MHz)</b>	<b>20dB bandwidth (MHz)</b>
2402	0.636	0.642	1.278
2441	0.636	0.630	1.266
2480	0.648	0.624	1.272

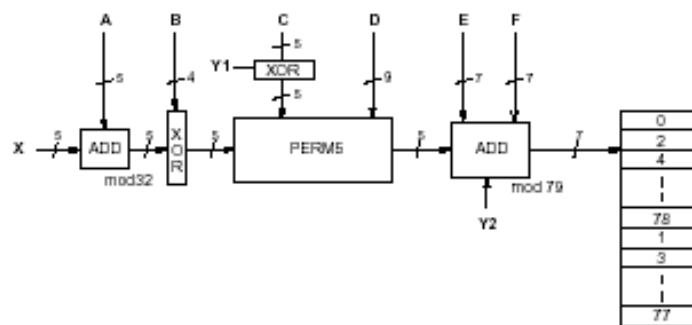


**Subclause 15.247 (a) – Hopping Sequence**
**Pass**

Requirement: The hopping sequence is generated and provided with an example.

**Hopping sequence**

The channel is represented by a pseudo-random hopping sequence hopping through the 79 RF channels. The hopping sequence is unique for the piconet and is determined by the Bluetooth device address of the master. The X input determines the phase in the 32-hop segment, whereas Y1 and Y2 selects between master-to-slave and slave-to-master transmission. The inputs A to D determine the ordering within the segment, the inputs E and F determine the mapping onto the hop frequencies.



www.tuv.com

Example data:

Hop sequence {k} for CONNECTION STATE:

CLK start: 0x0000010

ULAP: 0x00000000

#ticks: 00 02 | 04 06 | 08 0a | 0c 0e | 10 12 | 14 16 | 18 1a | 1c 1e |

```

0x0000010: 08 66 | 10 70 | 12 19 | 14 23 | 16 01 | 18 05 | 20 33 | 22 37 |
0x0000030: 24 03 | 26 07 | 28 35 | 30 39 | 32 72 | 34 76 | 36 25 | 38 29 |
0x0000050: 40 74 | 42 78 | 44 27 | 46 31 | 48 09 | 50 13 | 52 41 | 54 45 |
0x0000070: 56 11 | 58 15 | 60 43 | 62 47 | 32 17 | 36 19 | 34 49 | 38 51 |
0x0000090: 40 21 | 44 23 | 42 53 | 46 55 | 48 33 | 52 35 | 50 65 | 54 67 |
0x00000b0: 56 37 | 60 39 | 58 69 | 62 71 | 64 25 | 68 27 | 66 57 | 70 59 |
0x00000d0: 72 29 | 76 31 | 74 61 | 78 63 | 01 41 | 05 43 | 03 73 | 07 75 |
0x00000f0: 09 45 | 13 47 | 11 77 | 15 00 | 64 49 | 66 53 | 68 02 | 70 06 |
0x0000110: 01 51 | 03 55 | 05 04 | 07 08 | 72 57 | 74 61 | 76 10 | 78 14 |
0x0000130: 09 59 | 11 63 | 13 12 | 15 16 | 17 65 | 19 69 | 21 18 | 23 22 |
0x0000150: 33 67 | 35 71 | 37 20 | 39 24 | 25 73 | 27 77 | 29 26 | 31 30 |
0x0000170: 41 75 | 43 00 | 45 28 | 47 32 | 17 02 | 21 04 | 19 34 | 23 36 |
0x0000190: 33 06 | 37 08 | 35 38 | 39 40 | 25 10 | 29 12 | 27 42 | 31 44 |
0x00001b0: 41 14 | 45 16 | 43 46 | 47 48 | 49 18 | 53 20 | 51 50 | 55 52 |
0x00001d0: 65 22 | 69 24 | 67 54 | 71 56 | 57 26 | 61 28 | 59 58 | 63 60 |
0x00001f0: 73 30 | 77 32 | 75 62 | 00 64 | 49 34 | 51 42 | 57 66 | 59 74 |
0x0000210: 53 36 | 55 44 | 61 68 | 63 76 | 65 50 | 67 58 | 73 03 | 75 11 |
0x0000230: 69 52 | 71 60 | 77 05 | 00 13 | 02 38 | 04 46 | 10 70 | 12 78 |
0x0000250: 06 40 | 08 48 | 14 72 | 16 01 | 18 54 | 20 62 | 26 07 | 28 15 |
0x0000270: 22 56 | 24 64 | 30 09 | 32 17 | 02 66 | 06 74 | 10 19 | 14 27 |
0x0000290: 04 70 | 08 78 | 12 23 | 16 31 | 18 03 | 22 11 | 26 35 | 30 43 |
0x00002b0: 20 07 | 24 15 | 28 39 | 32 47 | 34 68 | 38 76 | 42 21 | 46 29 |
0x00002d0: 36 72 | 40 01 | 44 25 | 48 33 | 50 05 | 54 13 | 58 37 | 62 45 |
0x00002f0: 52 09 | 56 17 | 60 41 | 64 49 | 34 19 | 36 35 | 50 51 | 52 67 |
0x0000310: 38 21 | 40 37 | 54 53 | 56 69 | 42 27 | 44 43 | 58 59 | 60 75 |
0x0000330: 46 29 | 48 45 | 62 61 | 64 77 | 66 23 | 68 39 | 03 55 | 05 71 |
0x0000350: 70 25 | 72 41 | 07 57 | 09 73 | 74 31 | 76 47 | 11 63 | 13 00 |
0x0000370: 78 33 | 01 49 | 15 65 | 17 02 | 66 51 | 70 67 | 03 04 | 07 20 |
0x0000390: 68 55 | 72 71 | 05 08 | 09 24 | 74 59 | 78 75 | 11 12 | 15 28 |
0x00003b0: 76 63 | 01 00 | 13 16 | 17 32 | 19 53 | 23 69 | 35 06 | 39 22 |
0x00003d0: 21 57 | 25 73 | 37 10 | 41 26 | 27 61 | 31 77 | 43 14 | 47 30 |
0x00003f0: 29 65 | 33 02 | 45 18 | 49 34 | 19 04 | 21 08 | 23 20 | 25 24 |

```

**Subclause 15.247 (a) – Equal Hopping Frequency Use**

**Pass**

Requirement: Each of the transmitter's hopping channels is used equally on average.

Equal hopping frequency use

The EUT complies with the Bluetooth RF specifications. For details refer to the Bluetooth standard.

<b>Subclause 15.247 (a) – Receiver Input Bandwidth</b>	<b>Pass</b>
Requirement: The associated receiver(s) complies with the requirement that its input bandwidth matches the bandwidth of the transmitted signal.	
Receiver input bandwidth The receiver bandwidth is equal to the receiver bandwidth in the 79 hopping channel mode, which is 1 MHz. The receiver bandwidth was verified during Bluetooth RF conformance testing.	

<b>Subclause 15.247 (a) – Receiver Hopping Capability</b>	<b>Pass</b>
Requirement: The associated receiver has the ability to shift frequencies in synchronisation with the transmitted signals.	
Receiver hopping Capability The EUT complies with the Bluetooth RF specifications. For details refer to the Bluetooth standard.	

<b>Subclause 15.247 (b)(1) – Peak Output Power</b>	<b>Pass</b>				
Test Specification : FCC Part 15 Subpart A – Subclause 15.31 Mode of operation : Tx mode (2402MHz, 2441MHz, 2480MHz) Port of testing : Temporary antenna port Detector : Peak RBW/VBW : 3 MHz / 10 MHz Supply voltage : 3.7VDC from DC power supply Temperature : 23°C Humidity : 50%					
Requirement: For frequency hopping systems operating in the 2400-2483.5 MHz band employing at least 75 hopping channels, and all frequency hopping systems in the 5725-5850 MHz band: 1 Watt. For all other frequency hopping systems in the 2400 – 2483.5 MHz band: 0.125 Watts.					
Results: For test protocols please refer to Appendix 1, page 10-14.					
<b>GFSK Modulation</b>					
Frequency (MHz)	Maximum peak output power (dBm)	Cable attenuation (dB)	Output power (dBm)	Limit (W/dBm)	Verdict
2402	-1.00	3.52	2.520	1 / 30.0	Pass
2441	-1.27	3.65	2.380	1 / 30.0	Pass
2480	-1.18	3.60	2.420	1 / 30.0	Pass
<b>Pi/4 DQPSK Modulation</b>					
Frequency (MHz)	Maximum peak output power (dBm)	Cable attenuation (dB)	Output power (dBm)	Limit (W/dBm)	Verdict
2402	-2.46	3.52	1.060	1 / 30.0	Pass
2441	-2.74	3.65	0.910	1 / 30.0	Pass

www.tuv.com

2480	-2.65	3.60	0.950	1 / 30.0	Pass
<b>8 DPSK Modulation</b>					
Frequency (MHz)	Maximum peak output power (dBm)	Cable attenuation (dB)	Output power (dBm)	Limit (W/dBm)	Verdict
2402	-2.04	3.52	1.480	1 / 30.0	Pass
2441	-2.40	3.65	1.250	1 / 30.0	Pass
2480	-2.31	3.60	1.290	1 / 30.0	Pass

<b>Subclause 15.247 (d) – Band edge compliance of conducted emissions</b>		<b>Pass</b>
<p>Test Specification : FCC Part 15 Subpart A – Subclause 15.31          Mode of operation : Tx mode (2402MHz, 2480MHz), 8DPSK          Port of testing : Temporary antenna port          Detector : Peak          RBW/VBW : 100 kHz / 300 kHz          Supply voltage : 3.7VDC from DC power supply          Temperature : 23°C          Humidity : 50%</p>		
Requirement:	<p>In any 100 kHz bandwidth outside the frequency band in which the spread spectrum or digitally modulated intentional radiator is operating, the radio frequency power that is produced by the intentional radiator shall be at least 20 dB below that in the 100 kHz bandwidth within the band that contains the highest level of the desired power, based on either an RF conducted or a radiated measurement.</p>	
Results:	<p>There is no peak found outside any 100 kHz bandwidth of the operating frequency band. For test protocols refer to Appendix 1, page 15-16.</p>	

<b>Subclause 15.205 – Band edge compliance of radiated emissions</b>		<b>Pass</b>
<p>Test Specification : FCC Part 15 Subpart A – Subclause 15.31          Mode of operation : Tx mode (2402MHz, 2480MHz), 8DPSK          Port of testing : Temporary antenna port          Detector : Peak          RBW/VBW : 1 MHz / 3 MHz          Supply voltage : 3.7VDC from DC power supply          Temperature : 23°C          Humidity : 50%</p>		
Requirement:	<p>Radiated emissions which fall in the restricted bands, as defined in 15.205 (a), must also comply with the radiated emission limits specified in 15.209(a).</p>	
Results:	<p>There is no peak found in the restricted bands. For test protocols refer to Appendix 1, page 17-20.</p>	

<b>Subclause 15.247 (d) – Spurious Conducted Emissions</b>					<b>Pass</b>
Test Specification : FCC Part 15 Subpart A – Subclause 15.31 Mode of operation : Tx mode (2402MHz, 2441MHz, 2480MHz), 8DPSK Port of testing : Temporary antenna port Detector : Peak RBW/VBW : 100 kHz / 300 kHz Supply voltage : 3.7VDC from DC power supply Temperature : 23 °C Humidity : 50 %					
<b>Requirement:</b> In any 100 kHz bandwidth outside the frequency band in which the spread spectrum or digitally modulated intentional radiator is operating, the radio frequency power that is produced by the intentional radiator shall be at least 20 dB below that in the 100 kHz bandwidth within the band that contains the highest level of the desired power, based on either an RF conducted or a radiated measurement.					
<b>Results:</b> There is no peak found outside any 100kHz bandwidth of the operating frequency band in the three transmit frequency. All three transmit frequency modes comply with the limit stated in subclause 15.247(d). For test protocols refer to Appendix 1, page 21-22.					
Operating frequency (MHz)	Spurious frequency (MHz)	Spurious Level (dBm)	Reference value (dBm)	Delta (dB)	Verdict
2402	3100.000	-49.00	-2.27	-46.73	Pass
2441	4850.000	-47.00	-1.51	-45.49	Pass
2480	7250.000	-49.41	-1.08	-48.33	Pass

<b>Subclause 15.247 (c) – Spurious Radiated Emissions</b>					<b>Pass</b>
Test Specification : ANSI C63.4 – 2003 Mode of operation : Tx mode (2402MHz, 2441MHz, 2480MHz), 8DPSK Port of testing : Enclosure Detector : Peak RBW/VBW : 100 kHz / 300 kHz for f < 1 GHz 1 MHz / 3 MHz for f > 1 GHz Supply voltage : internal batteries has been activated Temperature : 23°C Humidity : 50%					
<b>Requirement:</b> In any 100kHz bandwidth outside the frequency band at least 20dB below the highest level of the desired power. In addition, radiated emissions which fall in the restricted bands, as defined in section 15.205(a), must also comply with the radiated emission limits specified in section 15.205(c).					
<b>Results:</b> All three transmit frequency modes comply with the field strength within the restricted bands. There is no spurious found below 30MHz.					

Tx frequency 2402MHz			Vertical Polarization		
Freq MHz	Level dBuV/m	Limit/ Detector dBuV/m			
No peak found	-	43.5 / QP			
1601.859	40.11	74.0 / P			
1601.987	32.51	54.0 / A			
4804.022	57.59	74.0 / P			
4803.958	38.62	54.0 / A			
Tx frequency 2402MHz			Horizontal Polarization		
Freq MHz	Level dBuV/m	Limit/ Detector dBuV/m			
No peak found	-	43.5 / QP			
1601.955	45.23	74.0 / P			
1601.974	41.89	54.0 / A			
4804.006	52.43	74.0 / P			
4803.942	36.65	54.0 / A			
Tx frequency 2441MHz			Vertical Polarization		
Freq MHz	Level dBuV/m	Limit/ Detector dBuV/m			
No peak found	-	43.5 / QP			
1626.474	39.95	74.0 / P			
1626.667	27.89	54.0 / A			
4882.064	58.97	74.0 / P			
4881.952	38.66	54.0 / A			
Tx frequency 2441MHz			Horizontal Polarization		
Freq MHz	Level dBuV/m	Limit/ Detector dBuV/m			
No peak found	-	43.5 / QP			
1626.745	44.22	74.0 / P			
1626.651	37.93	54.0 / A			
Tx frequency 2480MHz			Vertical Polarization		
Freq MHz	Level dBuV/m	Limit/ Detector dBuV/m			
No peak found	-	43.5 / QP			
1652.500	41.11	74.0 / P			
1652.644	29.96	54.0 / A			
4960.064	57.84	74.0 / P			
4960.064	38.48	54.0 / A			
Tx frequency 2480MHz			Horizontal Polarization		
Freq MHz	Level dBuV/m	Limit/ Detector dBuV/m			
No peak found	-	43.5 / QP			
1652.404	44.04	74.0 / P			
1652.628	35.73	54.0 / A			